

# SKF Power Transmission products



® SKF is a registered trademark of the SKF Group.

Hytrel is a registered trademark of DuPont. Dacromet and Dacrotized are registered trademarks of Metal Coatings International Inc. Corporation.

© SKF Group 2016

The contents of this publication are the copyright of the publisher and may not be reproduced (even extracts) unless prior written permission is granted. Every care has been taken to ensure the accuracy of the information contained in this publication but no liability can be accepted for any loss or damage whether direct, indirect or consequential arising out of the use of the information contained herein.

**PUB PT/P1 11015/3 EN** May 2016

This publication supersedes publication PUB PT/P1 11015 EN.

# Contents



**1** SKF Belts ..... 9



**2** SKF Chains ..... 75



**3** SKF Couplings ..... 103



**4** SKF Bushings and Hubs..... 147



**5** SKF Sprockets ..... 173



**6** SKF Pulleys..... 251



**7** Smart tools..... 335





# Foreword

Power transmission products play an important role in overall bearing performance and are the vital link between moving parts in equipment. By creating its own range of power transmission products, SKF can offer products that are well-matched and give engineers a wide design choice according to performance and cost considerations.

Bringing power transmission products under a single brand offers significant user benefits apart from the confidence that comes from using a well-known brand. SKF can provide a convenient single supply source for products and services with a large number of items in stock. This, in turn, offers the chance to simplify logistics to end users and reduce administrative work.

As bearings and other power transmission components work together in products used in many industries, many bearing problems and failures can be identified through the knowledge of power transmission. Examples of those industries are food and beverage, oil and gas, pulp and paper, textile, metalworking, packaging, mining, mineral processing and cement, agriculture and material handling. Combining an understanding of bearing systems with power transmission gives SKF the opportunity to enhance the support available to users.

All SKF Power Transmission products are identified by an SKF specific designation prefix. Apart from that, the designation follows international standards for easy recognition and cross-referencing. The SKF Power Transmission range covers most common types of products, which can be divided into six main categories - belts, pulleys, chains, sprockets, couplings as well as bushings and hubs.

## **About the data in this catalogue**

The data in this catalogue relates to SKF's state-of-the-art technology as of mid-2015. This data may differ from that shown in earlier catalogues because of revised methods of calculation, redesign or technological developments.

SKF reserves the right to make continuing improvements to SKF products with respect to materials, design and manufacturing methods, as well as changes necessitated by technological developments.

## **Other Power Transmission catalogues**

Product information is also available via the SKF Power Transmission products website at [www.skfptp.com](http://www.skfptp.com). The website not only provides product information, but also online calculation tools, drawings, and search and selection functions.

The main printed SKF Power Transmission catalogues are:

- SKF Transmission chain catalogue
- SKF Couplings catalogue
- SKF FX Keyless Bushings catalogue
- SKF Xtra Power Belts catalogue
- SKF Conveyor Chain catalogue

For more information about SKF Power Transmission products, contact your local SKF representative or SKF Authorized Distributor.

# SKF – the knowledge engineering company

From one simple but inspired solution to a misalignment problem in a textile mill in Sweden, and fifteen employees in 1907, SKF has grown to become a global industrial knowledge leader.



Over the years, we have built on our expertise in bearings, extending it to seals, mechanics, services and lubrication systems. Our knowledge network includes 46 000 employees, 15 000 distributor partners, offices in more than 130 countries, and a growing number of SKF Solution Factory sites around the world.

## Research and development

We have hands-on experience in over forty industries based on our employees' knowledge of real life conditions. In addition, our world-leading experts and university partners pioneer advanced theoretical research and development in areas including tribology, condition monitoring, asset management and bearing life theory. Our ongoing commitment to research and development helps us keep our customers at the forefront of their industries.



## Meeting the toughest challenges

Our network of knowledge and experience, along with our understanding of how our core technologies can be combined, helps us create innovative solutions that meet the toughest of challenges. We work closely with our customers throughout the asset life cycle, helping them to profitably and responsibly grow their businesses.

## Working for a sustainable future

Since 2005, SKF has worked to reduce the negative environmental impact from our operations and those of our suppliers. Our continuing technology development resulted in the introduction of the SKF BeyondZero portfolio of products and services which improve efficiency and reduce energy losses, as well as enable new technologies harnessing wind, solar and ocean power. This combined approach helps reduce the environmental impact both in our operations and our customers' operations.

*SKF Solution Factory makes SKF knowledge and manufacturing expertise available locally to provide unique solutions and services to our customers.*

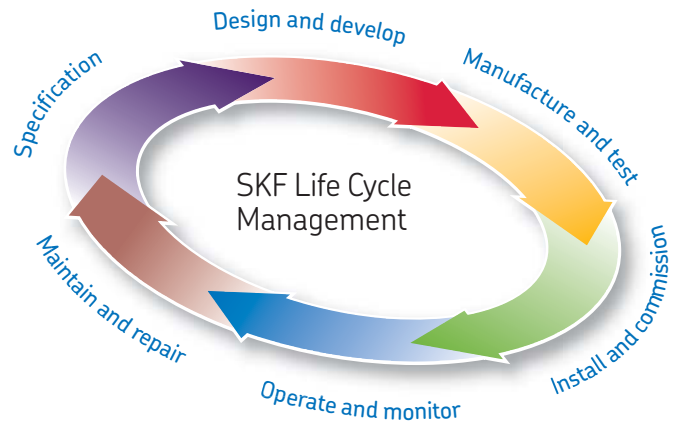


*Working with SKF IT and logistics systems and application experts, SKF Authorized Distributors deliver a valuable mix of product and application knowledge to customers worldwide.*



## Our knowledge – your success

*SKF Life Cycle Management is how we combine our technology platforms and advanced services, and apply them at each stage of the asset life cycle, to help our customers to be more successful, sustainable and profitable.*



### Working closely with you

Our objective is to help our customers improve productivity, minimize maintenance, achieve higher energy and resource efficiency, and optimize designs for long service life and reliability.



### Bearings

*SKF is the world leader in the design, development and manufacture of high performance rolling bearings, plain bearings, bearing units and housings.*

### Innovative solutions

Whether the application is linear or rotary or a combination, SKF engineers can work with you at each stage of the asset life cycle to improve machine performance by looking at the entire application. This approach doesn't just focus on individual components like bearings or seals. It looks at the whole application to see how each component interacts with each other.



### Machinery maintenance

*Condition monitoring technologies and maintenance services from SKF can help minimize unplanned downtime, improve operational efficiency and reduce maintenance costs.*



### Sealing solutions

*SKF offers standard seals and custom engineered sealing solutions to increase uptime, improve machine reliability, reduce friction and power losses, and extend lubricant life.*

### Design optimization and verification

SKF can work with you to optimize current or new designs with proprietary 3-D modelling software that can also be used as a virtual test rig to confirm the integrity of the design.



### Mechatronics

*SKF fly-by-wire systems for aircraft and drive-by-wire systems for off-road, agricultural and forklift applications replace heavy, grease or oil consuming mechanical and hydraulic systems.*



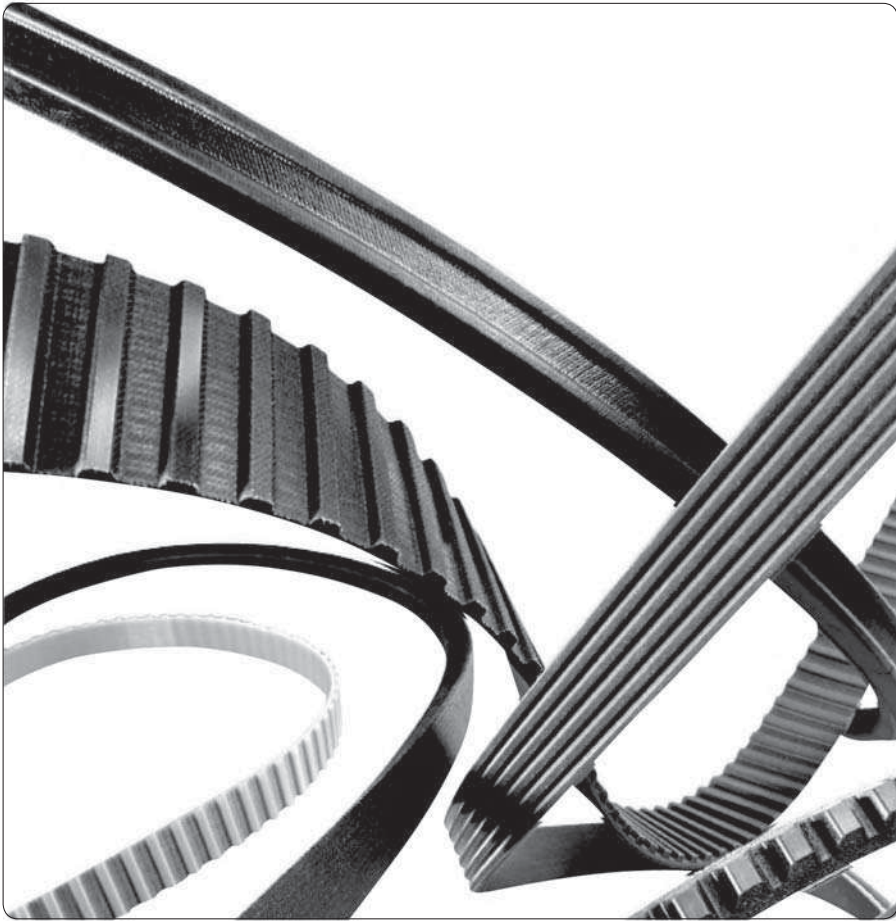
### Lubrication solutions

*From specialized lubricants to state-of-the-art lubrication systems and lubrication management services, lubrication solutions from SKF can help to reduce lubrication related downtime and lubricant consumption.*



### Actuation and motion control

*With a wide assortment of products – from actuators and ball screws to profile rail guides – SKF can work with you to solve your most pressing linear system challenges.*



# Belts

	SKF Wrapped Wedge Belts . . . . .	12		SKF Banded Narrow Wedge Belts . .	33
	SKF Wrapped Classical Belts . . . . .	14		SKF Double Classical (Hex) Belts . .	34
	SKF Wrapped Narrow Wedge Belts	18		SKF Ribbed Belts . . . . .	35
	SKF Cogged Raw Edge Wedge Belts	19		SKF Classical Timing Belts . . . . .	38
	SKF Cogged Raw Edge Classical Belts . . . . .	22		SKF Double-sided Classical Timing Belts . . . . .	48
	SKF Cogged Raw Edge Narrow Wedge Belts . . . . .	24		SKF HiTD Belts . . . . .	53
	SKF Xtra Power Wrapped Wedge Belts . . . . .	25		SKF Double-sided HiTD Belts . . . . .	58
	SKF Xtra Power Wrapped Narrow Wedge Belts . . . . .	27		Super torque timing belts . . . . .	61
	SKF Xtra Power Lawn and Garden Belts . . . . .	28		Double-sided super torque timing belts . . . . .	65
	Variable speed belts . . . . .	30		SKF Metric Timing Belts . . . . .	67
	SKF Banded Wedge Belts . . . . .	31		SKF Double-sided Metric Timing Belts . . . . .	70
	SKF Banded Classical Belts . . . . .	32			

## SKF Belts

SKF belt range nomenclature has a defined prefix of PHG. All belts we produce conform to conventional basic part number format – ISO, BS, RMA or DIN.

## V Belts

The V belt designation format is constant through the range, with the following example to indicate set up.

### SKF Designation prefix

PHG SPB 1800 XP

#### Belt type

Wedge – SPZ, SPA, SPB, SPC  
Wedge CRE – XPZ, XPA, XPB, XPC  
Classical – Z, A, B, C, D, E  
Classical CRE – ZX, AX, BX, CX  
Narrow wedge – 3V, 5V, 8V  
Narrow wedge CRE – 3VX, 5VX, 8VX  
Double classical – AA, BB, CC  
Ribbed – PJ, PK, PL, PM

#### Belt lengths

Wedge all – pitch length (mm)  
Narrow wedge all – outside length ( $\frac{1}{100}$  inch)  
Classical all – inside length (inch)  
Ribbed – pitch length (mm)

#### Supplementary

Wedge & Narrow wedge – XP Xtra Power  
Wedge, Narrow wedge, Classical banded belts – X??, for number of joined belts in each band

#### Note

Ribbed belts will list number of ribs before the Belt type



## SKF Belts

SKF belt range nomenclature has a defined prefix of PHG. All belts we produce conform to conventional basic part number format – ISO, BS, RMA or DIN.

## Timing Belts

The Timing belt designation format is constant through the range, with the following example to indicate set up.

**PHG D - 198 - XL - 025**

**SKF Designation prefix**

**Belt lengths** —————  
Supplementary – D, DA, DB – double siding of belt

**Belt lengths** —————  
Classical – pitch length ( $\frac{1}{10}$  inch)  
HiTD – pitch length (mm)  
STS – pitch length (mm)  
Metric – pitch length (mm)

**Belt type** —————  
Classical – MXL, XL, L, H, XH, XXH  
HiTD – 2M, 3M, 5M, 8M, 14M  
STS – S2M, S3M, S4.5M, S5M, S8M, S14M  
Metric polyurethane – T2.5, T5, T10, T20, AT2.5, AT5, AT10

**Belt width** —————  
Classical –  $\frac{1}{100}$  of inch  
HiTD – millimeters (mm)  
STS – millimeters (mm)  
Metric – millimeters (mm)

**Note**  
Options available for long length open ended rolls – refer to SKF

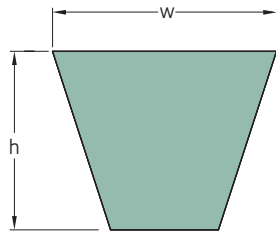
## Belts (PHG Product Group)

SKF belts are manufactured to a “worldwide” specification, PTP-0299 (Feb 2000), which is compatible with all commonly used standards:

- wrapped and cogged belts are manufactured according to GB 1171 and BS 3790
- timing belts are in accordance with quality standards GB/T13487-1992 and GB/T11616-1989
- length and tolerance control of MXL, XL, L, H, XH, XXH profiles are done in accordance with ISO 5296-1
- measurement tolerance testing is done in accordance with ISO 4184
- SKF belts are manufactured to be anti-static and as such comply with ATEX directive requirements (static conductivity testing is done in accordance with ISO 1813)
- equipment testing is done in accordance with ISO 255-1990

Rubber belts can be stored in “optimum” conditions for up to 10 years, however in real world practice we suggest storing no more than 7 years to ensure expected working life is not affected.

	Main materials used in timing belts			
	Classical (MXL, L, H, XH, XXH)	HiTD (3M, 5M, 8M, 14M)	Polyurethane metric (T2.5, T5, T10, AT2.5, AT5, AT10) Truly Endless	Polyurethane metric (T2.5, T5, T10, AT2.5, AT5, AT10) Open Ended
Tensile member (cord)	Fiberglass	Fiberglass	Steel cord / Aramid cord	Steel cord / Aramid cord
Tooth compound	CR	CR	Polyurethane	Polyurethane
Tooth facing fabric	Nylon	Nylon	no fabric	Nylon available
Backing fabric	CR	CR	no fabric	Nylon available

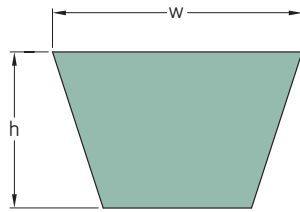


Section	Dimensions		Designation	Section	Dimensions		Designation	Section	Dimensions		Designation				
	Pitch length				Pitch length				Pitch length						
	w	h		w	h		w	h							
-	mm		-	mm		-	mm		-						
SPZ	512	9,7	8	PHG SPZ512	SPZ	1 250	9,7	8	PHG SPZ1250	SPZ	2 360	9,7	8	PHG SPZ2360	
	560	9,7	8	PHG SPZ560		1 262	9,7	8	PHG SPZ1262		2 410	9,7	8	PHG SPZ2410	
	562	9,7	8	PHG SPZ562		1 270	9,7	8	PHG SPZ1270		2 500	9,7	8	PHG SPZ2500	
	587	9,7	8	PHG SPZ587		1 287	9,7	8	PHG SPZ1287		2 540	9,7	8	PHG SPZ2540	
	612	9,7	8	PHG SPZ612		1 312	9,7	8	PHG SPZ1312		2 580	9,7	8	PHG SPZ2580	
	630	9,7	8	PHG SPZ630		1 320	9,7	8	PHG SPZ1320		2 650	9,7	8	PHG SPZ2650	
	637	9,7	8	PHG SPZ637		1 337	9,7	8	PHG SPZ1337		2 690	9,7	8	PHG SPZ2690	
	662	9,7	8	PHG SPZ662		1 340	9,7	8	PHG SPZ1340		2 800	9,7	8	PHG SPZ2800	
	670	9,7	8	PHG SPZ670		1 347	9,7	8	PHG SPZ1347		2 840	9,7	8	PHG SPZ2840	
	687	9,7	8	PHG SPZ687		1 362	9,7	8	PHG SPZ1362		2 900	9,7	8	PHG SPZ2900	
	710	9,7	8	PHG SPZ710		1 387	9,7	8	PHG SPZ1387		3 000	9,7	8	PHG SPZ3000	
	722	9,7	8	PHG SPZ722		1 400	9,7	8	PHG SPZ1400		3 150	9,7	8	PHG SPZ3150	
	737	9,7	8	PHG SPZ737		1 412	9,7	8	PHG SPZ1412		3 170	9,7	8	PHG SPZ3170	
	750	9,7	8	PHG SPZ750		1 420	9,7	8	PHG SPZ1420		3 350	9,7	8	PHG SPZ3350	
	760	9,7	8	PHG SPZ760		1 437	9,7	8	PHG SPZ1437		3 550	9,7	8	PHG SPZ3550	
	762	9,7	8	PHG SPZ762		1 462	9,7	8	PHG SPZ1462		SPA	732	12,7	10	PHG SPA732
	772	9,7	8	PHG SPZ772		1 487	9,7	8	PHG SPZ1487			757	12,7	10	PHG SPA757
	787	9,7	8	PHG SPZ787		1 500	9,7	8	PHG SPZ1500			775	12,7	10	PHG SPA775
	800	9,7	8	PHG SPZ800		1 512	9,7	8	PHG SPZ1512			782	12,7	10	PHG SPA782
	812	9,7	8	PHG SPZ812		1 520	9,7	8	PHG SPZ1520			800	12,7	10	PHG SPA800
	825	9,7	8	PHG SPZ825		1 537	9,7	8	PHG SPZ1537			807	12,7	10	PHG SPA807
	837	9,7	8	PHG SPZ837		1 562	9,7	8	PHG SPZ1562			832	12,7	10	PHG SPA832
	850	9,7	8	PHG SPZ850		1 587	9,7	8	PHG SPZ1587			850	12,7	10	PHG SPA850
	862	9,7	8	PHG SPZ862		1 600	9,7	8	PHG SPZ1600			857	12,7	10	PHG SPA857
	875	9,7	8	PHG SPZ875		1 612	9,7	8	PHG SPZ1612			882	12,7	10	PHG SPA882
	887	9,7	8	PHG SPZ887		1 637	9,7	8	PHG SPZ1637		900	12,7	10	PHG SPA900	
	900	9,7	8	PHG SPZ900		1 650	9,7	8	PHG SPZ1650		907	12,7	10	PHG SPA907	
	912	9,7	8	PHG SPZ912		1 662	9,7	8	PHG SPZ1662		925	12,7	10	PHG SPA925	
	925	9,7	8	PHG SPZ925		1 687	9,7	8	PHG SPZ1687		932	12,7	10	PHG SPA932	
	937	9,7	8	PHG SPZ937		1 700	9,7	8	PHG SPZ1700		950	12,7	10	PHG SPA950	
	950	9,7	8	PHG SPZ950		1 737	9,7	8	PHG SPZ1737		957	12,7	10	PHG SPA957	
	962	9,7	8	PHG SPZ962		1 750	9,7	8	PHG SPZ1750		969	12,7	10	PHG SPA969	
	987	9,7	8	PHG SPZ987		1 762	9,7	8	PHG SPZ1762		975	12,7	10	PHG SPA975	
	1 000	9,7	8	PHG SPZ1000		1 787	9,7	8	PHG SPZ1787		982	12,7	10	PHG SPA982	
	1 010	9,7	8	PHG SPZ1010		1 800	9,7	8	PHG SPZ1800		1 000	12,7	10	PHG SPA1000	
	1 012	9,7	8	PHG SPZ1012		1 812	9,7	8	PHG SPZ1812		1 007	12,7	10	PHG SPA1007	
	1 024	9,7	8	PHG SPZ1024		1 837	9,7	8	PHG SPZ1837		1 030	12,7	10	PHG SPA1030	
	1 037	9,7	8	PHG SPZ1037		1 850	9,7	8	PHG SPZ1850		1 032	12,7	10	PHG SPA1032	
	1 047	9,7	8	PHG SPZ1047		1 862	9,7	8	PHG SPZ1862		1 055	12,7	10	PHG SPA1055	
	1 060	9,7	8	PHG SPZ1060		1 887	9,7	8	PHG SPZ1887		1 060	12,7	10	PHG SPA1060	
	1 077	9,7	8	PHG SPZ1077		1 900	9,7	8	PHG SPZ1900		1 082	12,7	10	PHG SPA1082	
	1 080	9,7	8	PHG SPZ1080		1 937	9,7	8	PHG SPZ1937		1 090	12,7	10	PHG SPA1090	
	1 087	9,7	8	PHG SPZ1087		1 950	9,7	8	PHG SPZ1950		1 107	12,7	10	PHG SPA1107	
	1 112	9,7	8	PHG SPZ1112		1 987	9,7	8	PHG SPZ1987		1 120	12,7	10	PHG SPA1120	
	1 120	9,7	8	PHG SPZ1120		2 000	9,7	8	PHG SPZ2000		1 132	12,7	10	PHG SPA1132	
1 137	9,7	8	PHG SPZ1137	2 037	9,7	8	PHG SPZ2037	1 150	12,7	10	PHG SPA1150				
1 140	9,7	8	PHG SPZ1140	2 060	9,7	8	PHG SPZ2060	1 157	12,7	10	PHG SPA1157				
1 150	9,7	8	PHG SPZ1150	2 120	9,7	8	PHG SPZ2120	1 180	12,7	10	PHG SPA1180				
1 162	9,7	8	PHG SPZ1162	2 137	9,7	8	PHG SPZ2137	1 190	12,7	10	PHG SPA1190				
1 180	9,7	8	PHG SPZ1180	2 160	9,7	8	PHG SPZ2160	1 200	12,7	10	PHG SPA1200				
1 187	9,7	8	PHG SPZ1187	2 187	9,7	8	PHG SPZ2187	1 207	12,7	10	PHG SPA1207				
1 200	9,7	8	PHG SPZ1200	2 240	9,7	8	PHG SPZ2240	1 220	12,7	10	PHG SPA1220				
1 202	9,7	8	PHG SPZ1202	2 262	9,7	8	PHG SPZ2262	1 232	12,7	10	PHG SPA1232				
1 212	9,7	8	PHG SPZ1212	2 280	9,7	8	PHG SPZ2280	1 250	12,7	10	PHG SPA1250				
1 237	9,7	8	PHG SPZ1237	2 287	9,7	8	PHG SPZ2287	1 257	12,7	10	PHG SPA1257				

Non-standard lengths are also available.





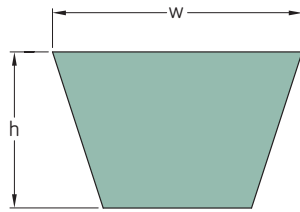


Section	Dimensions		Inside length		Designation	
	Pitch length	mm	in.	w	h	
10/Z	395	381	15.00	10	6	PHG Z15
	420	406	16.00	10	6	PHG Z16
	445	432	17.00	10	6	PHG Z17
	470	457	18.00	10	6	PHG Z18
	495	483	19.00	10	6	PHG Z19
	520	508	20.00	10	6	PHG Z20
	545	533	21.00	10	6	PHG Z21
	570	559	22.00	10	6	PHG Z22
	600	584	23.00	10	6	PHG Z23
	620	610	24.00	10	6	PHG Z24
	650	635	25.00	10	6	PHG Z25
	680	660	26.00	10	6	PHG Z26
	700	686	27.00	10	6	PHG Z27
	725	711	28.00	10	6	PHG Z28
	750	737	29.00	10	6	PHG Z29
	780	762	30.00	10	6	PHG Z30
	800	787	31.00	10	6	PHG Z31
	840	813	32.00	10	6	PHG Z32
	850	838	33.00	10	6	PHG Z33
	875	864	34.00	10	6	PHG Z34
900	889	35.00	10	6	PHG Z35	
930	914	36.00	10	6	PHG Z36	
950	940	37.00	10	6	PHG Z37	
980	965	38.00	10	6	PHG Z38	
1 015	991	39.00	10	6	PHG Z39	
1 035	1 016	40.00	10	6	PHG Z40	
1 055	1 041	41.00	10	6	PHG Z41	
1 080	1 067	42.00	10	6	PHG Z42	
1 105	1 092	43.00	10	6	PHG Z43	
1 130	1 118	44.00	10	6	PHG Z44	
1 155	1 143	45.00	10	6	PHG Z45	
1 190	1 168	46.00	10	6	PHG Z46	
1 205	1 194	47.00	10	6	PHG Z47	
1 240	1 219	48.00	10	6	PHG Z48	
1 270	1 245	49.00	10	6	PHG Z49	
1 290	1 270	50.00	10	6	PHG Z50	
1 330	1 295	51.00	10	6	PHG Z51	
1 340	1 321	52.00	10	6	PHG Z52	
1 380	1 346	53.00	10	6	PHG Z53	
1 390	1 372	54.00	10	6	PHG Z54	
1 420	1 397	55.00	10	6	PHG Z55	
1 440	1 422	56.00	10	6	PHG Z56	
1 465	1 448	57.00	10	6	PHG Z57	
1 515	1 499	59.00	10	6	PHG Z59	
1 540	1 524	60.00	10	6	PHG Z60	
1 570	1 549	61.00	10	6	PHG Z61	
1 595	1 575	62.00	10	6	PHG Z62	
1 620	1 600	63.00	10	6	PHG Z63	
1 645	1 626	64.00	10	6	PHG Z64	
1 670	1 651	65.00	10	6	PHG Z65	
1 695	1 676	66.00	10	6	PHG Z66	
1 720	1 702	67.00	10	6	PHG Z67	
1 750	1 727	68.00	10	6	PHG Z68	
1 770	1 753	69.00	10	6	PHG Z69	
1 820	1 803	71.00	10	6	PHG Z71	

Section	Dimensions		Inside length		Designation	
	Pitch length	mm	in.	w	h	
10/Z	1 930	1 905	75.00	10	6	PHG Z75
	2 000	1 981	78.00	10	6	PHG Z78
	2 025	2 007	79.00	10	6	PHG Z79
13/A	436	406	16.00	13	8	PHG A16
	487	457	18.00	13	8	PHG A18
	510	483	19.00	13	8	PHG A19
	540	508	20.00	13	8	PHG A20
	570	533	21.00	13	8	PHG A21
	590	559	22.00	13	8	PHG A22
	620	584	23.00	13	8	PHG A23
	640	610	24.00	13	8	PHG A24
	670	635	25.00	13	8	PHG A25
	700	660	26.00	13	8	PHG A26
	720	686	27.00	13	8	PHG A27
	740	711	28.00	13	8	PHG A28
	770	737	29.00	13	8	PHG A29
	790	762	30.00	13	8	PHG A30
	817	787	31.00	13	8	PHG A31
	850	813	32.00	13	8	PHG A32
	870	838	33.00	13	8	PHG A33
	890	864	34.00	13	8	PHG A34
	920	889	35.00	13	8	PHG A35
	950	914	36.00	13	8	PHG A36
	970	940	37.00	13	8	PHG A37
	990	965	38.00	13	8	PHG A38
	1 020	991	39.00	13	8	PHG A39
	1 050	1 016	40.00	13	8	PHG A40
	1 070	1 041	41.00	13	8	PHG A41
	1 100	1 067	42.00	13	8	PHG A42
	1 130	1 092	43.00	13	8	PHG A43
	1 150	1 118	44.00	13	8	PHG A44
	1 180	1 143	45.00	13	8	PHG A45
	1 200	1 168	46.00	13	8	PHG A46
	1 230	1 194	47.00	13	8	PHG A47
	1 250	1 219	48.00	13	8	PHG A48
1 280	1 245	49.00	13	8	PHG A49	
1 300	1 270	50.00	13	8	PHG A50	
1 330	1 295	51.00	13	8	PHG A51	
1 360	1 321	52.00	13	8	PHG A52	
1 380	1 346	53.00	13	8	PHG A53	
1 410	1 372	54.00	13	8	PHG A54	
1 430	1 397	55.00	13	8	PHG A55	
1 460	1 422	56.00	13	8	PHG A56	
1 480	1 448	57.00	13	8	PHG A57	
1 510	1 473	58.00	13	8	PHG A58	
1 530	1 499	59.00	13	8	PHG A59	
1 550	1 524	60.00	13	8	PHG A60	
1 580	1 549	61.00	13	8	PHG A61	
1 610	1 575	62.00	13	8	PHG A62	
1 640	1 600	63.00	13	8	PHG A63	
1 660	1 626	64.00	13	8	PHG A64	
1 690	1 651	65.00	13	8	PHG A65	
1 710	1 676	66.00	13	8	PHG A66	
1 740	1 702	67.00	13	8	PHG A67	

Non-standard lengths are also available.





Section	Dimensions		Inside length		Designation	
	Pitch length		w	h		
-	mm	in.	mm		-	
17/B	3 290	3 251	128.00	17	11	PHG B128
	3 350	3 302	130.00	17	11	PHG B130
	3 400	3 353	132.00	17	11	PHG B132
	3 450	3 404	134.00	17	11	PHG B134
	3 500	3 454	136.00	17	11	PHG B136
	3 550	3 505	138.00	17	11	PHG B138
	3 600	3 556	140.00	17	11	PHG B140
	3 650	3 607	142.00	17	11	PHG B142
	3 700	3 658	144.00	17	11	PHG B144
	3 750	3 708	146.00	17	11	PHG B146
	3 800	3 759	148.00	17	11	PHG B148
	3 850	3 810	150.00	17	11	PHG B150
	3 870	3 835	151.00	17	11	PHG B151
	3 900	3 861	152.00	17	11	PHG B152
	3 950	3 912	154.00	17	11	PHG B154
	4 010	3 962	156.00	17	11	PHG B156
	4 060	4 013	158.00	17	11	PHG B158
	4 110	4 064	160.00	17	11	PHG B160
	4 160	4 115	162.00	17	11	PHG B162
	4 200	4 166	164.00	17	11	PHG B164
	4 230	4 191	165.00	17	11	PHG B165
	4 280	4 242	167.00	17	11	PHG B167
	4 360	4 318	170.00	17	11	PHG B170
	4 430	4 394	173.00	17	11	PHG B173
	4 490	4 445	175.00	17	11	PHG B175
	4 540	4 496	177.00	17	11	PHG B177
	4 610	4 572	180.00	17	11	PHG B180
	4 740	4 699	185.00	17	11	PHG B185
	4 800	4 750	187.00	17	11	PHG B187
	5 000	4 953	195.00	17	11	PHG B195
5 044	5 004	197.00	17	11	PHG B197	
5 220	5 182	204.00	17	11	PHG B204	
5 340	5 283	208.00	17	11	PHG B208	
5 370	5 334	210.00	17	11	PHG B210	
5 630	5 588	220.00	17	11	PHG B220	
5 760	5 715	225.00	17	11	PHG B225	
6 040	5 994	236.00	17	11	PHG B236	
6 140	6 096	240.00	17	11	PHG B240	
6 340	6 299	248.00	17	11	PHG B248	
6 750	6 706	264.00	17	11	PHG B264	
6 900	6 858	270.00	17	11	PHG B270	
7 025	6 985	275.00	17	11	PHG B275	
7 050	7 010	276.00	17	11	PHG B276	
7 150	7 112	280.00	17	11	PHG B280	
7 660	7 620	300.00	17	11	PHG B300	
8 040	8 001	315.00	17	11	PHG B315	
22/C	1 126	1 067	42.00	22	14	PHG C42
	1 150	1 092	43.00	22	14	PHG C43
	1 250	1 194	47.00	22	14	PHG C47
	1 280	1 219	48.00	22	14	PHG C48
	1 300	1 245	49.00	22	14	PHG C49
	1 325	1 270	50.00	22	14	PHG C50
	1 350	1 295	51.00	22	14	PHG C51
	1 370	1 321	52.00	22	14	PHG C52

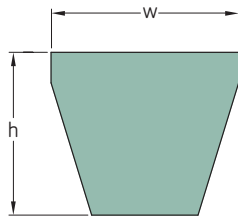
Section	Dimensions		Inside length		Designation	
	Pitch length		w	h		
-	mm	in.	mm		-	
22/C	1 400	1 346	53.00	22	14	PHG C53
	1 430	1 372	54.00	22	14	PHG C54
	1 450	1 397	55.00	22	14	PHG C55
	1 480	1 422	56.00	22	14	PHG C56
	1 500	1 448	57.00	22	14	PHG C57
	1 530	1 473	58.00	22	14	PHG C58
	1 560	1 499	59.00	22	14	PHG C59
	1 580	1 524	60.00	22	14	PHG C60
	1 610	1 549	61.00	22	14	PHG C61
	1 630	1 575	62.00	22	14	PHG C62
	1 650	1 600	63.00	22	14	PHG C63
	1 700	1 651	65.00	22	14	PHG C65
	1 730	1 676	66.00	22	14	PHG C66
	1 760	1 702	67.00	22	14	PHG C67
	1 780	1 727	68.00	22	14	PHG C68
	1 810	1 753	69.00	22	14	PHG C69
	1 830	1 778	70.00	22	14	PHG C70
	1 860	1 803	71.00	22	14	PHG C71
	1 880	1 829	72.00	22	14	PHG C72
	1 910	1 854	73.00	22	14	PHG C73
	1 930	1 880	74.00	22	14	PHG C74
	1 950	1 905	75.00	22	14	PHG C75
	1 990	1 930	76.00	22	14	PHG C76
	2 010	1 956	77.00	22	14	PHG C77
	2 040	1 981	78.00	22	14	PHG C78
	2 060	2 007	79.00	22	14	PHG C79
	2 090	2 032	80.00	22	14	PHG C80
	2 110	2 057	81.00	22	14	PHG C81
	2 140	2 083	82.00	22	14	PHG C82
	2 160	2 108	83.00	22	14	PHG C83
2 190	2 134	84.00	22	14	PHG C84	
2 220	2 159	85.00	22	14	PHG C85	
2 240	2 184	86.00	22	14	PHG C86	
2 270	2 210	87.00	22	14	PHG C87	
2 290	2 235	88.00	22	14	PHG C88	
2 320	2 261	89.00	22	14	PHG C89	
2 340	2 286	90.00	22	14	PHG C90	
2 390	2 337	92.00	22	14	PHG C92	
2 420	2 362	93.00	22	14	PHG C93	
2 440	2 388	94.00	22	14	PHG C94	
2 470	2 413	95.00	22	14	PHG C95	
2 490	2 438	96.00	22	14	PHG C96	
2 520	2 464	97.00	22	14	PHG C97	
2 550	2 489	98.00	22	14	PHG C98	
2 570	2 515	99.00	22	14	PHG C99	
2 600	2 540	100.00	22	14	PHG C100	
2 620	2 565	101.00	22	14	PHG C101	
2 650	2 591	102.00	22	14	PHG C102	
2 700	2 642	104.00	22	14	PHG C104	
2 720	2 667	105.00	22	14	PHG C105	
2 740	2 692	106.00	22	14	PHG C106	
2 800	2 743	108.00	22	14	PHG C108	
2 850	2 794	110.00	22	14	PHG C110	
2 900	2 845	112.00	22	14	PHG C112	
2 950	2 896	114.00	22	14	PHG C114	

Non-standard lengths are also available.



# SKF Wrapped Narrow Wedge Belts

3V/9N | 5V/15N | 8V/25N



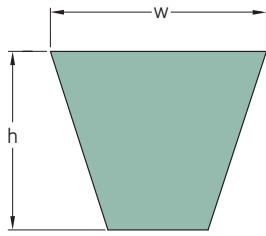
Section	Dimensions		Designation		
	Outside length		w	h	
–	mm	in.	mm	–	
3V/9N	635	25.0	9	8	PHG 3V250
	673	26.5	9	8	PHG 3V265
	711	28.0	9	8	PHG 3V280
	762	30.0	9	8	PHG 3V300
	800	31.5	9	8	PHG 3V315
	851	33.5	9	8	PHG 3V335
	902	35.5	9	8	PHG 3V355
	953	37.5	9	8	PHG 3V375
	1 016	40.0	9	8	PHG 3V400
	1 080	42.5	9	8	PHG 3V425
	1 143	45.0	9	8	PHG 3V450
	1 207	47.5	9	8	PHG 3V475
	1 270	50.0	9	8	PHG 3V500
	1 346	53.0	9	8	PHG 3V530
	1 422	56.0	9	8	PHG 3V560
	1 524	60.0	9	8	PHG 3V600
	1 600	63.0	9	8	PHG 3V630
	1 702	67.0	9	8	PHG 3V670
	1 803	71.0	9	8	PHG 3V710
	1 905	75.0	9	8	PHG 3V750
	2 032	80.0	9	8	PHG 3V800
	2 159	85.0	9	8	PHG 3V850
	2 286	90.0	9	8	PHG 3V900
	2 413	95.0	9	8	PHG 3V950
	2 540	100.0	9	8	PHG 3V1000
	2 692	106.0	9	8	PHG 3V1060
	2 845	112.0	9	8	PHG 3V1120
	2 997	118.0	9	8	PHG 3V1180
	3 175	125.0	9	8	PHG 3V1250
	3 353	132.0	9	8	PHG 3V1320
3 556	140.0	9	8	PHG 3V1400	
5V/15N	1 346	53.0	15	13	PHG 5V530
	1 422	56.0	15	13	PHG 5V560
	1 524	60.0	15	13	PHG 5V600
	1 600	63.0	15	13	PHG 5V630
	1 702	67.0	15	13	PHG 5V670
	1 803	71.0	15	13	PHG 5V710
	1 905	75.0	15	13	PHG 5V750
	2 032	80.0	15	13	PHG 5V800
	2 159	85.0	15	13	PHG 5V850
	2 286	90.0	15	13	PHG 5V900
	2 413	95.0	15	13	PHG 5V950
	2 540	100.0	15	13	PHG 5V1000
	2 692	106.0	15	13	PHG 5V1060
	2 845	112.0	15	13	PHG 5V1120
	2 997	118.0	15	13	PHG 5V1180
	3 175	125.0	15	13	PHG 5V1250
	3 353	132.0	15	13	PHG 5V1320
	3 556	140.0	15	13	PHG 5V1400
	3 810	150.0	15	13	PHG 5V1500
	4 064	160.0	15	13	PHG 5V1600
	4 318	170.0	15	13	PHG 5V1700
	4 572	180.0	15	13	PHG 5V1800
	4 826	190.0	15	13	PHG 5V1900

Section	Dimensions		Designation		
	Outside length		w	h	
–	mm	in.	mm	–	
5V/15N	5 080	200.0	15	13	PHG 5V2000
	5 385	212.0	15	13	PHG 5V2120
	5 690	224.0	15	13	PHG 5V2240
	5 994	236.0	15	13	PHG 5V2360
	6 350	250.0	15	13	PHG 5V2500
	6 731	265.0	15	13	PHG 5V2650
	7 112	280.0	15	13	PHG 5V2800
	7 620	300.0	15	13	PHG 5V3000
	8 001	315.0	15	13	PHG 5V3150
	8 509	335.0	15	13	PHG 5V3350
8V/25N	9 017	355.0	15	13	PHG 5V3550
	2 540	100.0	25	23	PHG 8V1000
	2 692	106.0	25	23	PHG 8V1060
	2 845	112.0	25	23	PHG 8V1120
	2 997	118.0	25	23	PHG 8V1180
	3 175	125.0	25	23	PHG 8V1250
	3 353	132.0	25	23	PHG 8V1320
	3 556	140.0	25	23	PHG 8V1400
	3 810	150.0	25	23	PHG 8V1500
	4 064	160.0	25	23	PHG 8V1600
	4 318	170.0	25	23	PHG 8V1700
	4 572	180.0	25	23	PHG 8V1800
	4 826	190.0	25	23	PHG 8V1900
	5 080	200.0	25	23	PHG 8V2000
	5 385	212.0	25	23	PHG 8V2120
	5 690	224.0	25	23	PHG 8V2240
	5 994	236.0	25	23	PHG 8V2360
	6 350	250.0	25	23	PHG 8V2500
	6 731	265.0	25	23	PHG 8V2650
	7 112	280.0	25	23	PHG 8V2800
7 620	300.0	25	23	PHG 8V3000	
8 001	315.0	25	23	PHG 8V3150	
8 509	335.0	25	23	PHG 8V3350	
9 017	355.0	25	23	PHG 8V3550	
9 525	375.0	25	23	PHG 8V3750	
10 160	400.0	25	23	PHG 8V4000	
10 795	425.0	25	23	PHG 8V4250	
11 430	450.0	25	23	PHG 8V4500	
12 065	475.0	25	23	PHG 8V4750	
12 700	500.0	25	23	PHG 8V5000	

Non-standard lengths are also available.

# SKF Cogged Raw Edge Wedge Belts

XPZ | XPA | XPB

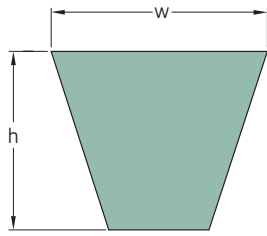


Section	Dimensions			Designation	Section	Dimensions			Designation	Section	Dimensions			Designation					
	Pitch length	w	h			Pitch length	w	h			Pitch length	w	h						
-	mm			-	mm			-	mm			-							
XPZ	630	9,7	8	PHG XPZ630	XPZ	1 412	9,7	8	PHG XPZ1412	XPA	1 282	12,7	10	PHG XPA1282					
	637	9,7	8	PHG XPZ637		1 420	9,7	8	PHG XPZ1420		1 307	12,7	10	PHG XPA1307					
	662	9,7	8	PHG XPZ662		1 487	9,7	8	PHG XPZ1487		1 320	12,7	10	PHG XPA1320					
	670	9,7	8	PHG XPZ670		1 500	9,7	8	PHG XPZ1500		1 332	12,7	10	PHG XPA1332					
	687	9,7	8	PHG XPZ687		1 512	9,7	8	PHG XPZ1512		1 357	12,7	10	PHG XPA1357					
	710	9,7	8	PHG XPZ710		1 520	9,7	8	PHG XPZ1520		1 400	12,7	10	PHG XPA1400					
	737	9,7	8	PHG XPZ737		1 537	9,7	8	PHG XPZ1537		1 482	12,7	10	PHG XPA1482					
	750	9,7	8	PHG XPZ750		1 587	9,7	8	PHG XPZ1587		1 500	12,7	10	PHG XPA1500					
	760	9,7	8	PHG XPZ760		1 600	9,7	8	PHG XPZ1600		1 507	12,7	10	PHG XPA1507					
	762	9,7	8	PHG XPZ762		1 700	9,7	8	PHG XPZ1700		1 532	12,7	10	PHG XPA1532					
	772	9,7	8	PHG XPZ772		1 800	9,7	8	PHG XPZ1800		1 582	12,7	10	PHG XPA1582					
	787	9,7	8	PHG XPZ787		1 850	9,7	8	PHG XPZ1850		1 600	12,7	10	PHG XPA1600					
	800	9,7	8	PHG XPZ800		1 900	9,7	8	PHG XPZ1900		1 700	12,7	10	PHG XPA1700					
	812	9,7	8	PHG XPZ812		2 000	9,7	8	PHG XPZ2000		1 800	12,7	10	PHG XPA1800					
	837	9,7	8	PHG XPZ837		2 030	9,7	8	PHG XPZ2030		1 900	12,7	10	PHG XPA1900					
	850	9,7	8	PHG XPZ850		2 120	9,7	8	PHG XPZ2120		2 000	12,7	10	PHG XPA2000					
	862	9,7	8	PHG XPZ862		2 240	9,7	8	PHG XPZ2240		2 120	12,7	10	PHG XPA2120					
	875	9,7	8	PHG XPZ875		2 280	9,7	8	PHG XPZ2280		2 240	12,7	10	PHG XPA2240					
	887	9,7	8	PHG XPZ887		2 360	9,7	8	PHG XPZ2360		2 360	12,7	10	PHG XPA2360					
	900	9,7	8	PHG XPZ900		2 410	9,7	8	PHG XPZ2410		2 500	12,7	10	PHG XPA2500					
912	9,7	8	PHG XPZ912	2 500	9,7	8	PHG XPZ2500	2 650	12,7	10	PHG XPA2650								
925	9,7	8	PHG XPZ925	2 540	9,7	8	PHG XPZ2540	2 800	12,7	10	PHG XPA2800								
937	9,7	8	PHG XPZ937	2 650	9,7	8	PHG XPZ2650	3 000	12,7	10	PHG XPA3000								
950	9,7	8	PHG XPZ950	2 800	9,7	8	PHG XPZ2800	3 150	12,7	10	PHG XPA3150								
962	9,7	8	PHG XPZ962	3 000	9,7	8	PHG XPZ3000	3 350	12,7	10	PHG XPA3350								
987	9,7	8	PHG XPZ987	3 150	9,7	8	PHG XPZ3150	XPB	3 550	12,7	10	PHG XPA3550							
1 000	9,7	8	PHG XPZ1000	3 350	9,7	8	PHG XPZ3350		1 250	16,3	13	PHG XPB1250							
1 010	9,7	8	PHG XPZ1010	3 550	9,7	8	PHG XPZ3550		1 260	16,3	13	PHG XPB1260							
1 012	9,7	8	PHG XPZ1012	XPA	757	12,7	10		PHG XPA757	1 320	16,3	13	PHG XPB1320						
1 037	9,7	8	PHG XPZ1037		782	12,7	10		PHG XPA782	1 340	16,3	13	PHG XPB1340						
1 060	9,7	8	PHG XPZ1060		800	12,7	10		PHG XPA800	1 400	16,3	13	PHG XPB1400						
1 077	9,7	8	PHG XPZ1077		832	12,7	10		PHG XPA832	PHG XPB1410	1 410	16,3	13	PHG XPB1410					
1 080	9,7	8	PHG XPZ1080		850	12,7	10		PHG XPA850		1 500	16,3	13	PHG XPB1500					
1 087	9,7	8	PHG XPZ1087		PHG XPA857	857	12,7		10		PHG XPA857	1 590	16,3	13	PHG XPB1590				
1 112	9,7	8	PHG XPZ1112			882	12,7		10		PHG XPA882	1 600	16,3	13	PHG XPB1600				
1 120	9,7	8	PHG XPZ1120			900	12,7		10		PHG XPA900	1 690	16,3	13	PHG XPB1690				
1 137	9,7	8	PHG XPZ1137			907	12,7		10		PHG XPA907	PHG XPB1700	1 700	16,3	13	PHG XPB1700			
1 140	9,7	8	PHG XPZ1140			932	12,7		10		PHG XPA932		1 800	16,3	13	PHG XPB1800			
1 162	9,7	8	PHG XPZ1162			PHG XPA950	950		12,7		10		PHG XPA950	1 900	16,3	13	PHG XPB1900		
1 180	9,7	8	PHG XPZ1180				957		12,7		10		PHG XPA957	2 000	16,3	13	PHG XPB2000		
1 187	9,7	8	PHG XPZ1187				982		12,7		10		PHG XPA982	2 020	16,3	13	PHG XPB2020		
1 200	9,7	8	PHG XPZ1200				1 000		12,7		10		PHG XPA1000	PHG XPB2120	2 120	16,3	13	PHG XPB2120	
1 202	9,7	8	PHG XPZ1202				1 007		12,7		10		PHG XPA1007		2 150	16,3	13	PHG XPB2150	
1 212	9,7	8	PHG XPZ1212				PHG XPA1030		1 030		12,7		10		PHG XPA1030	2 240	16,3	13	PHG XPB2240
1 237	9,7	8	PHG XPZ1237						1 060		12,7		10		PHG XPA1060	2 280	16,3	13	PHG XPB2280
1 250	9,7	8	PHG XPZ1250					1 082	12,7		10		PHG XPA1082		2 360	16,3	13	PHG XPB2360	
1 262	9,7	8	PHG XPZ1262					1 107	12,7		10		PHG XPA1107		PHG XPB2500	2 500	16,3	13	PHG XPB2500
1 270	9,7	8	PHG XPZ1270					1 120	12,7		10		PHG XPA1120			2 530	16,3	13	PHG XPB2530
1 287	9,7	8	PHG XPZ1287	PHG XPA1157				1 157	12,7		10		PHG XPA1157			2 650	16,3	13	PHG XPB2650
1 312	9,7	8	PHG XPZ1312					1 180	12,7		10		PHG XPA1180			2 680	16,3	13	PHG XPB2680
1 320	9,7	8	PHG XPZ1320					1 207	12,7		10		PHG XPA1207			2 800	16,3	13	PHG XPB2800
1 337	9,7	8	PHG XPZ1337					1 232	12,7	10	PHG XPA1232		PHG XPB3000			3 000	16,3	13	PHG XPB3000
1 340	9,7	8	PHG XPZ1340					1 250	12,7	10	PHG XPA1250					3 150	16,3	13	PHG XPB3150
1 362	9,7	8	PHG XPZ1362		PHG XPA1257			1 257	12,7	10	PHG XPA1257					3 350	16,3	13	PHG XPB3350
1 400	9,7	8	PHG XPZ1400																

Non-standard lengths are also available.

# SKF Cogged Raw Edge Wedge Belts

XPB | XPC



Section	Dimensions			Designation
	Pitch length	w	h	
-	mm			-
XPB	3 550	16,3	13	PHG XPB3550
XPC	2 000	22,0	18	PHG XPC2000
	2 120	22,0	18	PHG XPC2120
	2 240	22,0	18	PHG XPC2240
	2 360	22,0	18	PHG XPC2360
	2 500	22,0	18	PHG XPC2500
	2 650	22,0	18	PHG XPC2650
	2 800	22,0	18	PHG XPC2800
	3 000	22,0	18	PHG XPC3000
	3 150	22,0	18	PHG XPC3150
	3 350	22,0	18	PHG XPC3350
	3 550	22,0	18	PHG XPC3550

Non-standard lengths are also available.



## Equivalent / Interchange For ISO and RMA Narrow Wedge V-Belts

Section ISO	Dimensions Pitch length		Designation ISO	Section RMA	Dimensions Outside length		Designation RMA			
	w	h			w	h				
	mm				inch	mm				
SPZ	630	9,7	8	PHG SPZ630	3V/9N	25.0	9	8	PHG 3V250	
	670	9,7	8	PHG SPZ670		26.5	9	8	PHG 3V265	
	710	9,7	8	PHG SPZ710		28.0	9	8	PHG 3V280	
	760	9,7	8	PHG SPZ760		30.0	9	8	PHG 3V300	
	800	9,7	8	PHG SPZ800		31.5	9	8	PHG 3V315	
	900	9,7	8	PHG SPZ900		33.5	9	8	PHG 3V355	
	937 <sup>1)</sup>	9,7	8	PHG SPZ937		37.0	9	8	PHG 3V370	
	1 010	9,7	8	PHG SPZ1010		40.0	9	8	PHG 3V400	
	1 080	9,7	8	PHG SPZ1080		42.5	9	8	PHG 3V425	
	1 137 <sup>1)</sup>	9,7	8	PHG SPZ1137		45.0	9	8	PHG 3V450	
	1 200	9,7	8	PHG SPZ1200		47.5	9	8	PHG 3V475	
	1 270	9,7	8	PHG SPZ1270		50.0	9	8	PHG 3V500	
	1 340	9,7	8	PHG SPZ1340		53.0	9	8	PHG 3V530	
	1 420	9,7	8	PHG SPZ1420		56.0	9	8	PHG 3V560	
	1 470 <sup>1)</sup>	9,7	8	PHG SPZ1470		58.0	9	8	PHG 3V580	
	1 520	9,7	8	PHG SPZ1520		60.0	9	8	PHG 3V600	
	1 562 <sup>1)</sup>	9,7	8	PHG SPZ1562		61.7	9	8	PHG 3V617	
	1 600	9,7	8	PHG SPZ1600		63.0	9	8	PHG 3V630	
	1 650	9,7	8	PHG SPZ1650		65.0	9	8	PHG 3V650	
	1 700	9,7	8	PHG SPZ1700		67.0	9	8	PHG 3V670	
	1 800	9,7	8	PHG SPZ1800		71.0	9	8	PHG 3V710	
	1 850	9,7	8	PHG SPZ1850		73.0	9	8	PHG 3V730	
	1 900	9,7	8	PHG SPZ1900		75.0	9	8	PHG 3V750	
	2 037 <sup>1)</sup>	9,7	8	PHG SPZ2037		80.0	9	8	PHG 3V800	
	2 160	9,7	8	PHG SPZ2160		85.0	9	8	PHG 3V850	
	2 280	9,7	8	PHG SPZ2280		90.0	9	8	PHG 3V900	
	2 410	9,7	8	PHG SPZ2410		95.0	9	8	PHG 3V950	
	2 540	9,7	8	PHG SPZ2540		100.0	9	8	PHG 3V1000	
	2 690	9,7	8	PHG SPZ2690		106.0	9	8	PHG 3V1060	
	2 840	9,7	8	PHG SPZ2840		112.0	9	8	PHG 3V1120	
	3 000	9,7	8	PHG SPZ3000		118.0	9	8	PHG 3V1180	
	3 170	9,7	8	PHG SPZ3170		125.0	9	8	PHG 3V1250	
	3 550	9,7	8	PHG SPZ3550		140.0	9	8	PHG 3V1400	
	SPB	1 260	16,3	13	PHG SPB1260	5V/15N	50.0	15	13	PHG 5V500
		1 340	16,3	13	PHG SPB1340		53.0	15	13	PHG 5V530
		1 410	16,3	13	PHG SPB1410		56.0	15	13	PHG 5V560
		1 600	16,3	13	PHG SPB1600		63.0	15	13	PHG 5V630
		1 800	16,3	13	PHG SPB1800		71.0	15	13	PHG 5V710
		2 020	16,3	13	PHG SPB2020		80.0	15	13	PHG 5V800
		2 150	16,3	13	PHG SPB2150		85.0	15	13	PHG 5V850
		2 280	16,3	13	PHG SPB2280		90.0	15	13	PHG 5V900
		2 410	16,3	13	PHG SPB2410		95.0	15	13	PHG 5V950
2 530		16,3	13	PHG SPB2530		100.0	15	13	PHG 5V1000	
2 680		16,3	13	PHG SPB2680		106.0	15	13	PHG 5V1060	
2 840		16,3	13	PHG SPB2840		112.0	15	13	PHG 5V1120	
3 000		16,3	13	PHG SPB3000		118.0	15	13	PHG 5V1180	
3 170 <sup>2)</sup>		16,3	13	PHG SPB3170		125.0	15	13	PHG 5V1250	
3 350		16,3	13	PHG SPB3350		132.0	15	13	PHG 5V1320	
3 550		16,3	13	PHG SPB3550		140.0	15	13	PHG 5V1400	
3 800		16,3	13	PHG SPB3800		150.0	15	13	PHG 5V1500	
4 060		16,3	13	PHG SPB4060		160.0	15	13	PHG 5V1600	
4 310		16,3	13	PHG SPB4310		170.0	15	13	PHG 5V1700	
4 560		16,3	13	PHG SPB4560		180.0	15	13	PHG 5V1800	
4 820		16,3	13	PHG SPB4820		190.0	15	13	PHG 5V1900	
5 070		16,3	13	PHG SPB5070		200.0	15	13	PHG 5V2000	
5 380		16,3	13	PHG SPB5380		212.0	15	13	PHG 5V2120	
5 680		16,3	13	PHG SPB5680		224.0	15	13	PHG 5V2240	
6 000		16,3	13	PHG SPB6000		236.0	15	13	PHG 5V2360	
6 340		16,3	13	PHG SPB6340		250.0	15	13	PHG 5V2500	
7 100		16,3	13	PHG SPB7100		280.0	15	13	PHG 5V2800	
8 000		16,3	13	PHG SPB8000		315.0	15	13	PHG 5V3150	

<sup>1)</sup> Belts have a slight variation in pitch length.

<sup>2)</sup> 3170 (Lp) - Check availability

### Raw edge belts

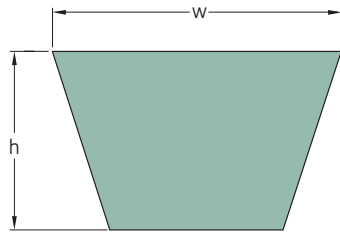
Belts up to and including 3 500 mm (Lp) may also available in RAW EDGE COG construction. Designations are PHG XPB\*\*\* and PHG 5VX\*\*\* respectively.

### Banded belts (SPZ/XPZ/3V/3VX and SPB/XPB/5V/5VX)

As the transverse pitch (between pulley grooves) of the ISO and RMA standards varies, a check should be made of both pulleys before selecting, interchanging or using banded belts. Both pulleys must have the same transverse pitch dimension.

# SKF Cogged Raw Edge Classical Belts

X10/ZX | X13/AX



Section	Dimensions		Inside length			Designation
	Pitch length			w	h	
-	mm	in.		mm		-
X10/ZX	600	584	23.00	10	6	PHG ZX23
	620	610	24.00	10	6	PHG ZX24
	650	635	25.00	10	6	PHG ZX25
	680	660	26.00	10	6	PHG ZX26
	700	686	27.00	10	6	PHG ZX27
	725	711	28.00	10	6	PHG ZX28
	750	737	29.00	10	6	PHG ZX29
	780	762	30.00	10	6	PHG ZX30
	800	787	31.00	10	6	PHG ZX31
	840	813	32.00	10	6	PHG ZX32
	850	838	33.00	10	6	PHG ZX33
	875	864	34.00	10	6	PHG ZX34
	900	889	35.00	10	6	PHG ZX35
	930	914	36.00	10	6	PHG ZX36
	950	940	37.00	10	6	PHG ZX37
	980	965	38.00	10	6	PHG ZX38
	1 035	1 016	40.00	10	6	PHG ZX40
	1 055	1 041	41.00	10	6	PHG ZX41
	1 080	1 067	42.00	10	6	PHG ZX42
	1 105	1 092	43.00	10	6	PHG ZX43
	1 130	1 118	44.00	10	6	PHG ZX44
	1 155	1 143	45.00	10	6	PHG ZX45
	1 290	1 270	50.00	10	6	PHG ZX50
	1 340	1 321	52.00	10	6	PHG ZX52
	1 380	1 346	53.00	10	6	PHG ZX53
	1 390	1 372	54.00	10	6	PHG ZX54
	1 420	1 397	55.00	10	6	PHG ZX55
	1 465	1 448	57.00	10	6	PHG ZX57
	1 515	1 499	59.00	10	6	PHG ZX59
	1 570	1 549	61.00	10	6	PHG ZX61
	1 620	1 600	63.00	10	6	PHG ZX63
	1 670	1 651	65.00	10	6	PHG ZX65
1 695	1 676	66.00	10	6	PHG ZX66	
1 720	1 702	67.00	10	6	PHG ZX67	
1 750	1 727	68.00	10	6	PHG ZX68	
1 770	1 753	69.00	10	6	PHG ZX69	
1 820	1 803	71.00	10	6	PHG ZX71	
2 000	1 981	78.00	10	6	PHG ZX78	
X13/AX	570	533	21.00	13	8	PHG AX21
	590	559	22.00	13	8	PHG AX22
	620	584	23.00	13	8	PHG AX23
	640	610	24.00	13	8	PHG AX24
	670	635	25.00	13	8	PHG AX25
	700	660	26.00	13	8	PHG AX26
	720	686	27.00	13	8	PHG AX27
	740	711	28.00	13	8	PHG AX28
	770	737	29.00	13	8	PHG AX29
	790	762	30.00	13	8	PHG AX30
	820	787	31.00	13	8	PHG AX31
	850	813	32.00	13	8	PHG AX32
	870	838	33.00	13	8	PHG AX33
	890	864	34.00	13	8	PHG AX34
	920	889	35.00	13	8	PHG AX35
	950	914	36.00	13	8	PHG AX36

Section	Dimensions		Inside length			Designation
	Pitch length			w	h	
-	mm	in.		mm		-
X13/AX	970	940	37.00	13	8	PHG AX37
	990	965	38.00	13	8	PHG AX38
	1 020	991	39.00	13	8	PHG AX39
	1 050	1 016	40.00	13	8	PHG AX40
	1 070	1 041	41.00	13	8	PHG AX41
	1 100	1 067	42.00	13	8	PHG AX42
	1 130	1 092	43.00	13	8	PHG AX43
	1 150	1 118	44.00	13	8	PHG AX44
	1 180	1 143	45.00	13	8	PHG AX45
	1 200	1 168	46.00	13	8	PHG AX46
	1 230	1 194	47.00	13	8	PHG AX47
	1 250	1 219	48.00	13	8	PHG AX48
	1 280	1 245	49.00	13	8	PHG AX49
	1 300	1 270	50.00	13	8	PHG AX50
	1 330	1 295	51.00	13	8	PHG AX51
	1 360	1 321	52.00	13	8	PHG AX52
	1 380	1 346	53.00	13	8	PHG AX53
	1 410	1 372	54.00	13	8	PHG AX54
	1 430	1 397	55.00	13	8	PHG AX55
	1 460	1 422	56.00	13	8	PHG AX56
	1 480	1 448	57.00	13	8	PHG AX57
	1 510	1 473	58.00	13	8	PHG AX58
	1 530	1 499	59.00	13	8	PHG AX59
	1 550	1 524	60.00	13	8	PHG AX60
	1 580	1 549	61.00	13	8	PHG AX61
	1 610	1 575	62.00	13	8	PHG AX62
	1 640	1 600	63.00	13	8	PHG AX63
	1 660	1 626	64.00	13	8	PHG AX64
	1 690	1 651	65.00	13	8	PHG AX65
	1 710	1 676	66.00	13	8	PHG AX66
	1 740	1 702	67.00	13	8	PHG AX67
	1 760	1 727	68.00	13	8	PHG AX68
1 790	1 753	69.00	13	8	PHG AX69	
1 810	1 778	70.00	13	8	PHG AX70	
1 840	1 803	71.00	13	8	PHG AX71	
1 860	1 829	72.00	13	8	PHG AX72	
1 890	1 854	73.00	13	8	PHG AX73	
1 920	1 880	74.00	13	8	PHG AX74	
1 940	1 905	75.00	13	8	PHG AX75	
1 960	1 930	76.00	13	8	PHG AX76	
1 990	1 956	77.00	13	8	PHG AX77	
2 020	1 981	78.00	13	8	PHG AX78	
2 050	2 007	79.00	13	8	PHG AX79	
2 070	2 032	80.00	13	8	PHG AX80	
2 090	2 057	81.00	13	8	PHG AX81	
2 120	2 083	82.00	13	8	PHG AX82	
2 140	2 108	83.00	13	8	PHG AX83	
2 170	2 134	84.00	13	8	PHG AX84	
2 200	2 159	85.00	13	8	PHG AX85	
2 220	2 184	86.00	13	8	PHG AX86	
2 240	2 210	87.00	13	8	PHG AX87	
2 270	2 235	88.00	13	8	PHG AX88	
2 300	2 261	89.00	13	8	PHG AX89	
2 320	2 286	90.00	13	8	PHG AX90	
2 350	2 311	91.00	13	8	PHG AX91	

Non-standard lengths are also available.

# SKF Cogged Raw Edge Classical Belts

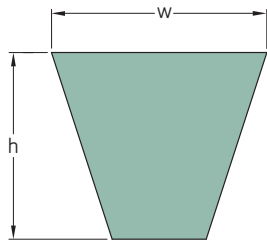
X13/AX | X17/BX | X22/CX

Section	Dimensions		Designation			Section	Dimensions		Designation					
	Pitch length	Inside length	w	h	-		Pitch length	Inside length	w	h	-			
												mm	in.	mm
X13/AX	2 400	2 362	93.00	13	8	PHG AX93	X17/BX	2 230	2 184	86.00	17	11	PHG BX86	
	2 420	2 388	94.00	13	8	PHG AX94		2 250	2 210	87.00	17	11	PHG BX87	
	2 450	2 413	95.00	13	8	PHG AX95		2 280	2 235	88.00	17	11	PHG BX88	
	2 480	2 438	96.00	13	8	PHG AX96		2 300	2 261	89.00	17	11	PHG BX89	
	2 500	2 464	97.00	13	8	PHG AX97		2 330	2 286	90.00	17	11	PHG BX90	
	2 520	2 489	98.00	13	8	PHG AX98		2 350	2 311	91.00	17	11	PHG BX91	
	2 570	2 540	100.00	13	8	PHG AX100		2 380	2 337	92.00	17	11	PHG BX92	
	2 650	2 616	103.00	13	8	PHG AX103		2 400	2 362	93.00	17	11	PHG BX93	
	2 680	2 642	104.00	13	8	PHG AX104		2 420	2 388	94.00	17	11	PHG BX94	
	2 700	2 667	105.00	13	8	PHG AX105		2 450	2 413	95.00	17	11	PHG BX95	
	2 830	2 794	110.00	13	8	PHG AX110		2 480	2 438	96.00	17	11	PHG BX96	
	2 880	2 845	112.00	13	8	PHG AX112		2 500	2 464	97.00	17	11	PHG BX97	
	3 030	2 997	118.00	13	8	PHG AX118		2 530	2 489	98.00	17	11	PHG BX98	
	3 190	3 150	124.00	13	8	PHG AX124		2 560	2 515	99.00	17	11	PHG BX99	
	3 390	3 353	132.00	13	8	PHG AX132		2 580	2 540	100.00	17	11	PHG BX100	
	X17/BX	624	584	23.00	17	11		PHG BX23	2 660	2 616	103.00	17	11	PHG BX103
		675	635	25.00	17	11		PHG BX25	2 680	2 642	104.00	17	11	PHG BX104
		700	660	26.00	17	11		PHG BX26	2 700	2 667	105.00	17	11	PHG BX105
750		711	28.00	17	11	PHG BX28	2 740	2 692	106.00	17	11	PHG BX106		
770		737	29.00	17	11	PHG BX29	2 790	2 743	108.00	17	11	PHG BX108		
800		762	30.00	17	11	PHG BX30	2 840	2 794	110.00	17	11	PHG BX110		
830		787	31.00	17	11	PHG BX31	2 890	2 845	112.00	17	11	PHG BX112		
860		813	32.00	17	11	PHG BX32	2 910	2 870	113.00	17	11	PHG BX113		
880		838	33.00	17	11	PHG BX33	2 960	2 921	115.00	17	11	PHG BX115		
910		864	34.00	17	11	PHG BX34	2 990	2 946	116.00	17	11	PHG BX116		
930		889	35.00	17	11	PHG BX35	3 040	2 997	118.00	17	11	PHG BX118		
960		914	36.00	17	11	PHG BX36	3 090	3 048	120.00	17	11	PHG BX120		
980		940	37.00	17	11	PHG BX37	3 165	3 124	123.00	17	11	PHG BX123		
1 000		965	38.00	17	11	PHG BX38	3 200	3 150	124.00	17	11	PHG BX124		
1 030		991	39.00	17	11	PHG BX39	3 240	3 200	126.00	17	11	PHG BX126		
1 060		1 016	40.00	17	11	PHG BX40	3 290	3 251	128.00	17	11	PHG BX128		
1 080		1 041	41.00	17	11	PHG BX41	3 400	3 353	132.00	17	11	PHG BX132		
1 100		1 067	42.00	17	11	PHG BX42	X22/CX	1 050	991	39.00	22	14	PHG CX39	
1 130		1 092	43.00	17	11	PHG BX43		1 150	1 092	43.00	22	14	PHG CX43	
1 160		1 118	44.00	17	11	PHG BX44		1 300	1 245	49.00	22	14	PHG CX49	
1 180		1 143	45.00	17	11	PHG BX45		1 350	1 295	51.00	22	14	PHG CX51	
1 210		1 168	46.00	17	11	PHG BX46		1 370	1 321	52.00	22	14	PHG CX52	
1 240		1 194	47.00	17	11	PHG BX47		1 450	1 397	55.00	22	14	PHG CX55	
1 260		1 219	48.00	17	11	PHG BX48		1 560	1 499	59.00	22	14	PHG CX59	
1 290		1 245	49.00	17	11	PHG BX49		1 580	1 524	60.00	22	14	PHG CX60	
1 310		1 270	50.00	17	11	PHG BX50		1 630	1 575	62.00	22	14	PHG CX62	
1 340		1 295	51.00	17	11	PHG BX51		1 760	1 702	67.00	22	14	PHG CX67	
1 370		1 321	52.00	17	11	PHG BX52		1 780	1 727	68.00	22	14	PHG CX68	
1 390		1 346	53.00	17	11	PHG BX53		1 860	1 803	71.00	22	14	PHG CX71	
1 410		1 372	54.00	17	11	PHG BX54	1 880	1 829	72.00	22	14	PHG CX72		
1 440		1 397	55.00	17	11	PHG BX55	1 950	1 905	75.00	22	14	PHG CX75		
1 460		1 422	56.00	17	11	PHG BX56	2 040	1 981	78.00	22	14	PHG CX78		
1 490		1 448	57.00	17	11	PHG BX57	2 060	2 007	79.00	22	14	PHG CX79		
1 510		1 473	58.00	17	11	PHG BX58	2 110	2 057	81.00	22	14	PHG CX81		
1 540		1 499	59.00	17	11	PHG BX59	2 220	2 159	85.00	22	14	PHG CX85		
1 560		1 524	60.00	17	11	PHG BX60	2 290	2 235	88.00	22	14	PHG CX88		
1 590	1 549	61.00	17	11	PHG BX61	2 340	2 286	90.00	22	14	PHG CX90			
1 620	1 575	62.00	17	11	PHG BX62	2 420	2 362	93.00	22	14	PHG CX93			
1 640	1 600	63.00	17	11	PHG BX63	2 490	2 438	96.00	22	14	PHG CX96			
1 670	1 626	64.00	17	11	PHG BX64	2 550	2 489	98.00	22	14	PHG CX98			
1 690	1 651	65.00	17	11	PHG BX65	2 600	2 540	100.00	22	14	PHG CX100			
1 720	1 676	66.00	17	11	PHG BX66	2 620	2 565	101.00	22	14	PHG CX101			
1 740	1 702	67.00	17	11	PHG BX67	2 720	2 667	105.00	22	14	PHG CX105			
1 760	1 727	68.00	17	11	PHG BX68	2 825	2 769	109.00	22	14	PHG CX109			
1 800	1 753	69.00	17	11	PHG BX69	2 850	2 794	110.00	22	14	PHG CX110			
1 820	1 778	70.00	17	11	PHG BX70	2 880	2 819	111.00	22	14	PHG CX111			
1 850	1 803	71.00	17	11	PHG BX71	2 900	2 845	112.00	22	14	PHG CX112			
1 870	1 829	72.00	17	11	PHG BX72	2 980	2 921	115.00	22	14	PHG CX115			
1 900	1 854	73.00	17	11	PHG BX73	3 050	2 997	118.00	22	14	PHG CX118			
1 920	1 880	74.00	17	11	PHG BX74	3 100	3 048	120.00	22	14	PHG CX120			
1 950	1 905	75.00	17	11	PHG BX75	3 210	3 150	124.00	22	14	PHG CX124			
1 970	1 930	76.00	17	11	PHG BX76	3 310	3 251	128.00	22	14	PHG CX128			
2 000	1 956	77.00	17	11	PHG BX77	3 410	3 353	132.00	22	14	PHG CX132			
2 020	1 981	78.00	17	11	PHG BX78									
2 050	2 007	79.00	17	11	PHG BX79									
2 070	2 032	80.00	17	11	PHG BX80									
2 100	2 057	81.00	17	11	PHG BX81									
2 130	2 083	82.00	17	11	PHG BX82									
2 150	2 108	83.00	17	11	PHG BX83									
2 180	2 134	84.00	17	11	PHG BX84									
2 200	2 159	85.00	17	11	PHG BX85									

Non-standard lengths are also available.

# SKF Cogged Raw Edge Narrow Wedge Belts

3VX/9NX | 5VX/15NX

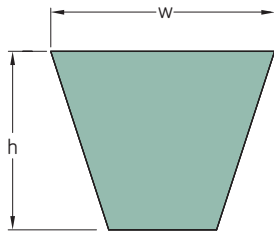


Section	Dimensions Outside length		Designation		
	mm	in.	w	h	
3VX/9NX	635	25.0	9	8	PHG 3VX250
	673	26.5	9	8	PHG 3VX265
	711	28.0	9	8	PHG 3VX280
	762	30.0	9	8	PHG 3VX300
	800	31.5	9	8	PHG 3VX315
	851	33.5	9	8	PHG 3VX335
	902	35.5	9	8	PHG 3VX355
	953	37.5	9	8	PHG 3VX375
	1 016	40.0	9	8	PHG 3VX400
	1 080	42.5	9	8	PHG 3VX425
	1 143	45.0	9	8	PHG 3VX450
	1 207	47.5	9	8	PHG 3VX475
	1 270	50.0	9	8	PHG 3VX500
	1 346	53.0	9	8	PHG 3VX530
	1 422	56.0	9	8	PHG 3VX560
	1 524	60.0	9	8	PHG 3VX600
	1 600	63.0	9	8	PHG 3VX630
	1 702	67.0	9	8	PHG 3VX670
	1 803	71.0	9	8	PHG 3VX710
	1 905	75.0	9	8	PHG 3VX750
	2 032	80.0	9	8	PHG 3VX800
	2 159	85.0	9	8	PHG 3VX850
	2 286	90.0	9	8	PHG 3VX900
	2 413	95.0	9	8	PHG 3VX950
	2 540	100.0	9	8	PHG 3VX1000
	2 692	106.0	9	8	PHG 3VX1060
	2 845	112.0	9	8	PHG 3VX1120
	2 997	118.0	9	8	PHG 3VX1180
	3 175	125.0	9	8	PHG 3VX1250
	3 353	132.0	9	8	PHG 3VX1320
	3 556	140.0	9	8	PHG 3VX1400
	3 810	150.0	9	8	PHG 3VX1500
5VX/15NX	1 270	50.0	15	13	PHG 5VX500
	1 346	53.0	15	13	PHG 5VX530
	1 422	56.0	15	13	PHG 5VX560
	1 524	60.0	15	13	PHG 5VX600
	1 600	63.0	15	13	PHG 5VX630
	1 702	67.0	15	13	PHG 5VX670
	1 803	71.0	15	13	PHG 5VX710
	1 905	75.0	15	13	PHG 5VX750
	2 032	80.0	15	13	PHG 5VX800
	2 159	85.0	15	13	PHG 5VX850
	2 286	90.0	15	13	PHG 5VX900
	2 413	95.0	15	13	PHG 5VX950
	2 540	100.0	15	13	PHG 5VX1000
	2 692	106.0	15	13	PHG 5VX1060
	2 845	112.0	15	13	PHG 5VX1120
	2 997	118.0	15	13	PHG 5VX1180
	3 175	125.0	15	13	PHG 5VX1250
	3 353	132.0	15	13	PHG 5VX1320
	3 556	140.0	15	13	PHG 5VX1400
	3 810	150.0	15	13	PHG 5VX1500
	4 064	160.0	15	13	PHG 5VX1600
	4 318	170.0	15	13	PHG 5VX1700

Section	Dimensions Outside length		Designation		
	mm	in.	w	h	
5VX/15NX	4 572	180.0	15	13	PHG 5VX1800
	4 826	190.0	15	13	PHG 5VX1900
	5 080	200.0	15	13	PHG 5VX2000

Non-standard lengths are also available.

**SKF Xtra Power Wrapped Wedge Belts**  
 SPZ XP | SPA XP | SPB XP

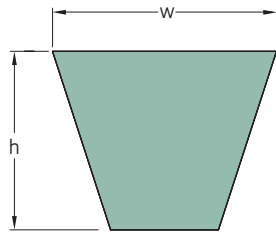


Section	Dimensions		Designation	Section	Dimensions		Designation	Section	Dimensions		Designation				
	Pitch length				Pitch length				Pitch length						
	w	h		w	h		w	h							
–	mm	–	–	mm	–	–	mm	–	–						
SPZ XP	875	9,7	8	PHG SPZ875XP	SPA XP	1 207	12,7	10	PHG SPA1207XP	SPA XP	2 382	12,7	10	PHG SPA2382XP	
	1 202	9,7	8	PHG SPZ1202XP		1 232	12,7	10	PHG SPA1232XP		2 432	12,7	10	PHG SPA2432XP	
	1 212	9,7	8	PHG SPZ1212XP		1 250	12,7	10	PHG SPA1250XP		2 482	12,7	10	PHG SPA2482XP	
	1 237	9,7	8	PHG SPZ1237XP		1 257	12,7	10	PHG SPA1257XP		2 500	12,7	10	PHG SPA2500XP	
	1 250	9,7	8	PHG SPZ1250XP		1 282	12,7	10	PHG SPA1282XP		2 532	12,7	10	PHG SPA2532XP	
	1 262	9,7	8	PHG SPZ1262XP		1 307	12,7	10	PHG SPA1307XP		2 582	12,7	10	PHG SPA2582XP	
	1 287	9,7	8	PHG SPZ1287XP		1 320	12,7	10	PHG SPA1320XP		2 607	12,7	10	PHG SPA2607XP	
	1 312	9,7	8	PHG SPZ1312XP		1 332	12,7	10	PHG SPA1332XP		2 632	12,7	10	PHG SPA2632XP	
	1 320	9,7	8	PHG SPZ1320XP		1 357	12,7	10	PHG SPA1357XP		2 650	12,7	10	PHG SPA2650XP	
	1 337	9,7	8	PHG SPZ1337XP		1 382	12,7	10	PHG SPA1382XP		2 682	12,7	10	PHG SPA2682XP	
	1 362	9,7	8	PHG SPZ1362XP		1 400	12,7	10	PHG SPA1400XP		2 732	12,7	10	PHG SPA2732XP	
	1 387	9,7	8	PHG SPZ1387XP		1 407	12,7	10	PHG SPA1407XP		2 782	12,7	10	PHG SPA2782XP	
	1 400	9,7	8	PHG SPZ1400XP		1 432	12,7	10	PHG SPA1432XP		2 800	12,7	10	PHG SPA2800XP	
	1 412	9,7	8	PHG SPZ1412XP		1 457	12,7	10	PHG SPA1457XP		2 832	12,7	10	PHG SPA2832XP	
	1 437	9,7	8	PHG SPZ1437XP		1 482	12,7	10	PHG SPA1482XP		2 847	12,7	10	PHG SPA2847XP	
	1 462	9,7	8	PHG SPZ1462XP		1 500	12,7	10	PHG SPA1500XP		2 882	12,7	10	PHG SPA2882XP	
	1 487	9,7	8	PHG SPZ1487XP		1 507	12,7	10	PHG SPA1507XP		2 932	12,7	10	PHG SPA2932XP	
	1 500	9,7	8	PHG SPZ1500XP		1 532	12,7	10	PHG SPA1532XP		2 982	12,7	10	PHG SPA2982XP	
	1 512	9,7	8	PHG SPZ1512XP		1 557	12,7	10	PHG SPA1557XP		3 000	12,7	10	PHG SPA3000XP	
	1 537	9,7	8	PHG SPZ1537XP		1 582	12,7	10	PHG SPA1582XP		3 032	12,7	10	PHG SPA3032XP	
	1 562	9,7	8	PHG SPZ1562XP		1 600	12,7	10	PHG SPA1600XP		3 082	12,7	10	PHG SPA3082XP	
	1 587	9,7	8	PHG SPZ1587XP		1 607	12,7	10	PHG SPA1607XP		3 150	12,7	10	PHG SPA3150XP	
	1 600	9,7	8	PHG SPZ1600XP		1 632	12,7	10	PHG SPA1632XP		3 182	12,7	10	PHG SPA3182XP	
	1 612	9,7	8	PHG SPZ1612XP		1 657	12,7	10	PHG SPA1657XP		3 282	12,7	10	PHG SPA3282XP	
	1 637	9,7	8	PHG SPZ1637XP		1 682	12,7	10	PHG SPA1682XP		3 350	12,7	10	PHG SPA3350XP	
	1 650	9,7	8	PHG SPZ1650XP		1 700	12,7	10	PHG SPA1700XP		3 382	12,7	10	PHG SPA3382XP	
	1 662	9,7	8	PHG SPZ1662XP		1 707	12,7	10	PHG SPA1707XP		3 550	12,7	10	PHG SPA3550XP	
	1 687	9,7	8	PHG SPZ1687XP		1 732	12,7	10	PHG SPA1732XP		3 750	12,7	10	PHG SPA3750XP	
	1 700	9,7	8	PHG SPZ1700XP		1 757	12,7	10	PHG SPA1757XP		4 000	12,7	10	PHG SPA4000XP	
	1 737	9,7	8	PHG SPZ1737XP		1 782	12,7	10	PHG SPA1782XP		SPB XP	1 250	16,3	13	PHG SPB1250XP
	1 762	9,7	8	PHG SPZ1762XP		1 800	12,7	10	PHG SPA1800XP			1 260	16,3	13	PHG SPB1260XP
	1 787	9,7	8	PHG SPZ1787XP		1 807	12,7	10	PHG SPA1807XP			1 270	16,3	13	PHG SPB1270XP
	1 800	9,7	8	PHG SPZ1800XP		1 832	12,7	10	PHG SPA1832XP			1 280	16,3	13	PHG SPB1280XP
	1 837	9,7	8	PHG SPZ1837XP		1 857	12,7	10	PHG SPA1857XP			1 320	16,3	13	PHG SPB1320XP
	1 862	9,7	8	PHG SPZ1862XP		1 882	12,7	10	PHG SPA1882XP			1 340	16,3	13	PHG SPB1340XP
1 887	9,7	8	PHG SPZ1887XP	1 900	12,7	10	PHG SPA1900XP	1 400	16,3	13		PHG SPB1400XP			
1 900	9,7	8	PHG SPZ1900XP	1 907	12,7	10	PHG SPA1907XP	1 410	16,3	13		PHG SPB1410XP			
1 937	9,7	8	PHG SPZ1937XP	1 932	12,7	10	PHG SPA1932XP	1 450	16,3	13		PHG SPB1450XP			
1 987	9,7	8	PHG SPZ1987XP	1 957	12,7	10	PHG SPA1957XP	1 500	16,3	13		PHG SPB1500XP			
2 000	9,7	8	PHG SPZ2000XP	1 982	12,7	10	PHG SPA1982XP	1 525	16,3	13	PHG SPB1525XP				
2 037	9,7	8	PHG SPZ2037XP	2 000	12,7	10	PHG SPA2000XP	1 550	16,3	13	PHG SPB1550XP				
2 120	9,7	8	PHG SPZ2120XP	2 032	12,7	10	PHG SPA2032XP	1 590	16,3	13	PHG SPB1590XP				
2 137	9,7	8	PHG SPZ2137XP	2 057	12,7	10	PHG SPA2057XP	1 600	16,3	13	PHG SPB1600XP				
2 187	9,7	8	PHG SPZ2187XP	2 082	12,7	10	PHG SPA2082XP	1 650	16,3	13	PHG SPB1650XP				
2 240	9,7	8	PHG SPZ2240XP	2 120	12,7	10	PHG SPA2120XP	1 690	16,3	13	PHG SPB1690XP				
2 287	9,7	8	PHG SPZ2287XP	2 132	12,7	10	PHG SPA2132XP	1 700	16,3	13	PHG SPB1700XP				
2 360	9,7	8	PHG SPZ2360XP	2 182	12,7	10	PHG SPA2182XP	1 720	16,3	13	PHG SPB1720XP				
2 500	9,7	8	PHG SPZ2500XP	2 207	12,7	10	PHG SPA2207XP	1 750	16,3	13	PHG SPB1750XP				
2 650	9,7	8	PHG SPZ2650XP	2 232	12,7	10	PHG SPA2232XP	1 800	16,3	13	PHG SPB1800XP				
2 800	9,7	8	PHG SPZ2800XP	2 240	12,7	10	PHG SPA2240XP	1 850	16,3	13	PHG SPB1850XP				
3 000	9,7	8	PHG SPZ3000XP	2 282	12,7	10	PHG SPA2282XP	1 900	16,3	13	PHG SPB1900XP				
3 150	9,7	8	PHG SPZ3150XP	2 300	12,7	10	PHG SPA2300XP	1 950	16,3	13	PHG SPB1950XP				
3 350	9,7	8	PHG SPZ3350XP	2 307	12,7	10	PHG SPA2307XP	2 000	16,3	13	PHG SPB2000XP				
3 550	9,7	8	PHG SPZ3550XP	2 332	12,7	10	PHG SPA2332XP	2 020	16,3	13	PHG SPB2020XP				
				2 360	12,7	10	PHG SPA2360XP								

Non-standard lengths are also available.

# SKF Xtra Power Wrapped Wedge Belts

SPB XP | SPC XP



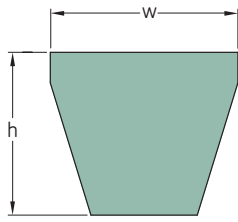
Section	Dimensions		Designation	
	Pitch length			
	w	h		
-	mm	-	-	
SPB XP	2 050	16,3	13	PHG SPB2050XP
	2 060	16,3	13	PHG SPB2060XP
	2 120	16,3	13	PHG SPB2120XP
	2 150	16,3	13	PHG SPB2150XP
	2 180	16,3	13	PHG SPB2180XP
	2 200	16,3	13	PHG SPB2200XP
	2 240	16,3	13	PHG SPB2240XP
	2 280	16,3	13	PHG SPB2280XP
	2 300	16,3	13	PHG SPB2300XP
	2 360	16,3	13	PHG SPB2360XP
	2 400	16,3	13	PHG SPB2400XP
	2 410	16,3	13	PHG SPB2410XP
	2 430	16,3	13	PHG SPB2430XP
	2 500	16,3	13	PHG SPB2500XP
	2 530	16,3	13	PHG SPB2530XP
	2 580	16,3	13	PHG SPB2580XP
	2 600	16,3	13	PHG SPB2600XP
	2 650	16,3	13	PHG SPB2650XP
	2 680	16,3	13	PHG SPB2680XP
	2 700	16,3	13	PHG SPB2700XP
2 720	16,3	13	PHG SPB2720XP	
2 750	16,3	13	PHG SPB2750XP	
2 800	16,3	13	PHG SPB2800XP	
2 840	16,3	13	PHG SPB2840XP	
2 900	16,3	13	PHG SPB2900XP	
2 990	16,3	13	PHG SPB2990XP	
3 000	16,3	13	PHG SPB3000XP	
3 070	16,3	13	PHG SPB3070XP	
3 150	16,3	13	PHG SPB3150XP	
3 170	16,3	13	PHG SPB3170XP	
3 200	16,3	13	PHG SPB3200XP	
3 250	16,3	13	PHG SPB3250XP	
3 350	16,3	13	PHG SPB3350XP	
3 400	16,3	13	PHG SPB3400XP	
3 450	16,3	13	PHG SPB3450XP	
3 550	16,3	13	PHG SPB3550XP	
3 650	16,3	13	PHG SPB3650XP	
3 675	16,3	13	PHG SPB3675XP	
3 750	16,3	13	PHG SPB3750XP	
3 800	16,3	13	PHG SPB3800XP	
3 870	16,3	13	PHG SPB3870XP	
4 000	16,3	13	PHG SPB4000XP	
4 060	16,3	13	PHG SPB4060XP	
4 120	16,3	13	PHG SPB4120XP	
4 250	16,3	13	PHG SPB4250XP	
4 310	16,3	13	PHG SPB4310XP	
4 370	16,3	13	PHG SPB4370XP	
4 500	16,3	13	PHG SPB4500XP	
4 560	16,3	13	PHG SPB4560XP	
4 620	16,3	13	PHG SPB4620XP	
4 750	16,3	13	PHG SPB4750XP	
4 820	16,3	13	PHG SPB4820XP	
5 000	16,3	13	PHG SPB5000XP	
5 070	16,3	13	PHG SPB5070XP	
5 200	16,3	13	PHG SPB5200XP	

Section	Dimensions		Designation	
	Pitch length			
	w	h		
-	mm	-	-	
SPB XP	5 300	16,3	13	PHG SPB5300XP
	5 380	16,3	13	PHG SPB5380XP
	5 600	16,3	13	PHG SPB5600XP
	6 000	16,3	13	PHG SPB6000XP
	6 300	16,3	13	PHG SPB6300XP
	6 700	16,3	13	PHG SPB6700XP
	7 100	16,3	13	PHG SPB7100XP
	7 500	16,3	13	PHG SPB7500XP
	8 000	16,3	13	PHG SPB8000XP
	SPC XP	2 000	22,0	18
2 120		22,0	18	PHG SPC2120XP
2 240		22,0	18	PHG SPC2240XP
2 360		22,0	18	PHG SPC2360XP
2 500		22,0	18	PHG SPC2500XP
2 650		22,0	18	PHG SPC2650XP
2 800		22,0	18	PHG SPC2800XP
2 950		22,0	18	PHG SPC2950XP
3 000		22,0	18	PHG SPC3000XP
3 050		22,0	18	PHG SPC3050XP
3 100		22,0	18	PHG SPC3100XP
3 150		22,0	18	PHG SPC3150XP
3 350		22,0	18	PHG SPC3350XP
3 550		22,0	18	PHG SPC3550XP
3 750		22,0	18	PHG SPC3750XP
4 000		22,0	18	PHG SPC4000XP
4 100		22,0	18	PHG SPC4100XP
4 250		22,0	18	PHG SPC4250XP
4 380		22,0	18	PHG SPC4380XP
4 500		22,0	18	PHG SPC4500XP
4 750	22,0	18	PHG SPC4750XP	
5 000	22,0	18	PHG SPC5000XP	
5 300	22,0	18	PHG SPC5300XP	
5 600	22,0	18	PHG SPC5600XP	
5 750	22,0	18	PHG SPC5750XP	
6 000	22,0	18	PHG SPC6000XP	
6 300	22,0	18	PHG SPC6300XP	
6 700	22,0	18	PHG SPC6700XP	
7 100	22,0	18	PHG SPC7100XP	
7 500	22,0	18	PHG SPC7500XP	
8 000	22,0	18	PHG SPC8000XP	
8 500	22,0	18	PHG SPC8500XP	
9 000	22,0	18	PHG SPC9000XP	
9 500	22,0	18	PHG SPC9500XP	
10 000	22,0	18	PHG SPC10000XP	
11 200	22,0	18	PHG SPC11200XP	
11 800	22,0	18	PHG SPC11800XP	

Non-standard lengths are also available.

# SKF Xtra Power Wrapped Narrow Wedge Belts

3V XP | 5V XP | 8V XP

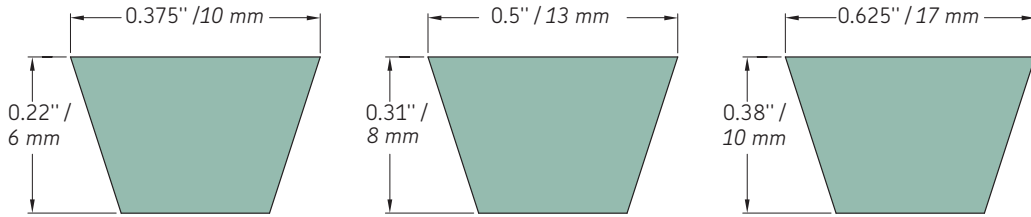


Section	Dimensions		Designation		Section	Dimensions		Designation			
	Outside length		w	h		Outside length		w	h		
–	mm	in.	mm	–	–	mm	in.	mm	–		
3V XP	1 080	42.5	9	8	PHG 3V425XP	8V XP	2 540	100.0	25	23	PHG 8V1000XP
	1 206	47.5	9	8	PHG 3V475XP		2 692	106.0	25	23	PHG 8V1060XP
	1 270	50.0	9	8	PHG 3V500XP		2 845	112.0	25	23	PHG 8V1120XP
	1 346	53.0	9	8	PHG 3V530XP		2 997	118.0	25	23	PHG 8V1180XP
	1 422	56.0	9	8	PHG 3V560XP		3 175	125.0	25	23	PHG 8V1250XP
	1 524	60.0	9	8	PHG 3V600XP		3 353	132.0	25	23	PHG 8V1320XP
	1 600	63.0	9	8	PHG 3V630XP		3 556	140.0	25	23	PHG 8V1400XP
	1 702	67.0	9	8	PHG 3V670XP		3 810	150.0	25	23	PHG 8V1500XP
	1 803	71.0	9	8	PHG 3V710XP		4 064	160.0	25	23	PHG 8V1600XP
	1 905	75.0	9	8	PHG 3V750XP		4 318	170.0	25	23	PHG 8V1700XP
	2 032	80.0	9	8	PHG 3V800XP		4 572	180.0	25	23	PHG 8V1800XP
	2 159	85.0	9	8	PHG 3V850XP		4 826	190.0	25	23	PHG 8V1900XP
	2 286	90.0	9	8	PHG 3V900XP		5 080	200.0	25	23	PHG 8V2000XP
	2 413	95.0	9	8	PHG 3V950XP		5 385	212.0	25	23	PHG 8V2120XP
	2 540	100.0	9	8	PHG 3V1000XP		5 690	224.0	25	23	PHG 8V2240XP
2 692	106.0	9	8	PHG 3V1060XP	5 994	236.0	25	23	PHG 8V2360XP		
2 845	112.0	9	8	PHG 3V1120XP	6 350	250.0	25	23	PHG 8V2500XP		
2 997	118.0	9	8	PHG 3V1180XP	6 731	265.0	25	23	PHG 8V2650XP		
3 175	125.0	9	8	PHG 3V1250XP	7 112	280.0	25	23	PHG 8V2800XP		
3 353	132.0	9	8	PHG 3V1320XP	7 620	300.0	25	23	PHG 8V3000XP		
3 556	140.0	9	8	PHG 3V1400XP	8 001	315.0	25	23	PHG 8V3150XP		
5V XP	1 346	53.0	15	13	PHG 5V530XP	8 509	335.0	25	23	PHG 8V3350XP	
	1 422	56.0	15	13	PHG 5V560XP	9 017	355.0	25	23	PHG 8V3550XP	
	1 524	60.0	15	13	PHG 5V600XP	9 525	375.0	25	23	PHG 8V3750XP	
	1 600	63.0	15	13	PHG 5V630XP	10 160	400.0	25	23	PHG 8V4000XP	
	1 702	67.0	15	13	PHG 5V670XP	10 795	425.0	25	23	PHG 8V4250XP	
	1 803	71.0	15	13	PHG 5V710XP	11 430	450.0	25	23	PHG 8V4500XP	
	1 905	75.0	15	13	PHG 5V750XP	12 065	475.0	25	23	PHG 8V4750XP	
	2 032	80.0	15	13	PHG 5V800XP	12 700	500.0	25	23	PHG 8V5000XP	
	2 159	85.0	15	13	PHG 5V850XP	13 081	515.0	25	23	PHG 8V5150XP	
	2 286	90.0	15	13	PHG 5V900XP	13 462	530.0	25	23	PHG 8V5300XP	
	2 413	95.0	15	13	PHG 5V950XP						
	2 540	100.0	15	13	PHG 5V1000XP						
	2 692	106.0	15	13	PHG 5V1060XP						
	2 845	112.0	15	13	PHG 5V1120XP						
	2 997	118.0	15	13	PHG 5V1180XP						
3 175	125.0	15	13	PHG 5V1250XP							
3 353	132.0	15	13	PHG 5V1320XP							
3 556	140.0	15	13	PHG 5V1400XP							
3 810	150.0	15	13	PHG 5V1500XP							
4 064	160.0	15	13	PHG 5V1600XP							
4 318	170.0	15	13	PHG 5V1700XP							
4 572	180.0	15	13	PHG 5V1800XP							
4 826	190.0	15	13	PHG 5V1900XP							
5 080	200.0	15	13	PHG 5V2000XP							
5 385	212.0	15	13	PHG 5V2120XP							
5 690	224.0	15	13	PHG 5V2240XP							
5 994	236.0	15	13	PHG 5V2360XP							
6 350	250.0	15	13	PHG 5V2500XP							
6 731	265.0	15	13	PHG 5V2650XP							
7 112	280.0	15	13	PHG 5V2800XP							
7 620	300.0	15	13	PHG 5V3000XP							
8 001	315.0	15	13	PHG 5V3150XP							

Non-standard lengths are also available.

SKF XP Lawn and Garden v-belts

3L | 4L | 5L



3L						4L						5L					
Section	Dimensions		OD: Length		Designation	Section	Dimensions		OD: Length		Designation	Section	Dimensions		OD: Length		Designation
	Width						Width						Width				
-	mm	in.	mm	in.	-	-	mm	in.	mm	in.	-	-	mm	in.	mm	in.	-
3L	10	3/8	381	15.0	PHG 3L150XP	4L	13	1/2	356	14.0	PHG 4L140XP	4L	13	1/2	1 676	66.0	PHG 4L660XP
	10	3/8	406	16.0	PHG 3L160XP		13	1/2	381	15.0	PHG 4L150XP		13	1/2	1 702	67.0	PHG 4L670XP
	10	3/8	432	17.0	PHG 3L170XP		13	1/2	406	16.0	PHG 4L160XP		13	1/2	1 727	68.0	PHG 4L680XP
	10	3/8	457	18.0	PHG 3L180XP		13	1/2	432	17.0	PHG 4L170XP		13	1/2	1 753	69.0	PHG 4L690XP
	10	3/8	483	19.0	PHG 3L190XP		13	1/2	457	18.0	PHG 4L180XP		13	1/2	1 778	70.0	PHG 4L700XP
	10	3/8	508	20.0	PHG 3L200XP		13	1/2	483	19.0	PHG 4L190XP		13	1/2	1 803	71.0	PHG 4L710XP
	10	3/8	533	21.0	PHG 3L210XP		13	1/2	508	20.0	PHG 4L200XP		13	1/2	1 829	72.0	PHG 4L720XP
	10	3/8	559	22.0	PHG 3L220XP		13	1/2	533	21.0	PHG 4L210XP		13	1/2	1 854	73.0	PHG 4L730XP
	10	3/8	584	23.0	PHG 3L230XP		13	1/2	546	21.5	PHG 4L215XP		13	1/2	1 880	74.0	PHG 4L740XP
	10	3/8	610	24.0	PHG 3L240XP		13	1/2	559	22.0	PHG 4L220XP		13	1/2	1 905	75.0	PHG 4L750XP
10	3/8	635	25.0	PHG 3L250XP	13	1/2	584	23.0	PHG 4L230XP	13	1/2	1 930	76.0	PHG 4L760XP			
10	3/8	660	26.0	PHG 3L260XP	13	1/2	610	24.0	PHG 4L240XP	13	1/2	1 956	77.0	PHG 4L770XP			
10	3/8	673	26.5	PHG 3L265XP	13	1/2	635	25.0	PHG 4L250XP	13	1/2	1 981	78.0	PHG 4L780XP			
10	3/8	686	27.0	PHG 3L270XP	13	1/2	660	26.0	PHG 4L260XP	13	1/2	2 007	79.0	PHG 4L790XP			
10	3/8	711	28.0	PHG 3L280XP	13	1/2	686	27.0	PHG 4L270XP	13	1/2	2 032	80.0	PHG 4L800XP			
10	3/8	737	29.0	PHG 3L290XP	13	1/2	711	28.0	PHG 4L280XP	13	1/2	2 057	81.0	PHG 4L810XP			
10	3/8	762	30.0	PHG 3L300XP	13	1/2	737	29.0	PHG 4L290XP	13	1/2	2 083	82.0	PHG 4L820XP			
10	3/8	787	31.0	PHG 3L310XP	13	1/2	762	30.0	PHG 4L300XP	13	1/2	2 108	83.0	PHG 4L830XP			
10	3/8	813	32.0	PHG 3L320XP	13	1/2	775	30.5	PHG 4L305XP	13	1/2	2 134	84.0	PHG 4L840XP			
10	3/8	838	33.0	PHG 3L330XP	13	1/2	787	31.0	PHG 4L310XP	13	1/2	2 159	85.0	PHG 4L850XP			
10	3/8	864	34.0	PHG 3L340XP	13	1/2	813	32.0	PHG 4L320XP	13	1/2	2 184	86.0	PHG 4L860XP			
10	3/8	889	35.0	PHG 3L350XP	13	1/2	838	33.0	PHG 4L330XP	13	1/2	2 210	87.0	PHG 4L870XP			
10	3/8	914	36.0	PHG 3L360XP	13	1/2	864	34.0	PHG 4L340XP	13	1/2	2 235	88.0	PHG 4L880XP			
10	3/8	940	37.0	PHG 3L370XP	13	1/2	889	35.0	PHG 4L350XP	13	1/2	2 261	89.0	PHG 4L890XP			
10	3/8	965	38.0	PHG 3L380XP	13	1/2	914	36.0	PHG 4L360XP	13	1/2	2 286	90.0	PHG 4L900XP			
10	3/8	991	39.0	PHG 3L390XP	13	1/2	940	37.0	PHG 4L370XP	13	1/2	2 311	91.0	PHG 4L910XP			
10	3/8	1 016	40.0	PHG 3L400XP	13	1/2	965	38.0	PHG 4L380XP	13	1/2	2 337	92.0	PHG 4L920XP			
10	3/8	1 041	41.0	PHG 3L410XP	13	1/2	991	39.0	PHG 4L390XP	13	1/2	2 362	93.0	PHG 4L930XP			
10	3/8	1 054	41.5	PHG 3L415XP	13	1/2	1 016	40.0	PHG 4L400XP	13	1/2	2 388	94.0	PHG 4L940XP			
10	3/8	1 067	42.0	PHG 3L420XP	13	1/2	1 029	40.5	PHG 4L405XP	13	1/2	2 413	95.0	PHG 4L950XP			
10	3/8	1 092	43.0	PHG 3L430XP	13	1/2	1 041	41.0	PHG 4L410XP	13	1/2	2 438	96.0	PHG 4L960XP			
10	3/8	1 118	44.0	PHG 3L440XP	13	1/2	1 067	42.0	PHG 4L420XP	13	1/2	2 464	97.0	PHG 4L970XP			
10	3/8	1 143	45.0	PHG 3L450XP	13	1/2	1 092	43.0	PHG 4L430XP	13	1/2	2 489	98.0	PHG 4L980XP			
10	3/8	1 168	46.0	PHG 3L460XP	13	1/2	1 118	44.0	PHG 4L440XP	13	1/2	2 515	99.0	PHG 4L990XP			
10	3/8	1 194	47.0	PHG 3L470XP	13	1/2	1 143	45.0	PHG 4L450XP	13	1/2	2 540	100.0	PHG 4L1000XP			
10	3/8	1 219	48.0	PHG 3L480XP	13	1/2	1 168	46.0	PHG 4L460XP	13	1/2	2 565	101.0	PHG 4L1010XP			
10	3/8	1 245	49.0	PHG 3L490XP	13	1/2	1 194	47.0	PHG 4L470XP	13	1/2	2 591	102.0	PHG 4L1020XP			
10	3/8	1 270	50.0	PHG 3L500XP	13	1/2	1 219	48.0	PHG 4L480XP	13	1/2	2 616	103.0	PHG 4L1030XP			
10	3/8	1 295	51.0	PHG 3L510XP	13	1/2	1 245	49.0	PHG 4L490XP	13	1/2	2 642	104.0	PHG 4L1040XP			
10	3/8	1 321	52.0	PHG 3L520XP	13	1/2	1 270	50.0	PHG 4L500XP	13	1/2	2 667	105.0	PHG 4L1050XP			
10	3/8	1 346	53.0	PHG 3L530XP	13	1/2	1 295	51.0	PHG 4L510XP	13	1/2	2 692	106.0	PHG 4L1060XP			
10	3/8	1 372	54.0	PHG 3L540XP	13	1/2	1 321	52.0	PHG 4L520XP	13	1/2	2 718	107.0	PHG 4L1070XP			
10	3/8	1 397	55.0	PHG 3L550XP	13	1/2	1 346	53.0	PHG 4L530XP	13	1/2	2 743	108.0	PHG 4L1080XP			
10	3/8	1 422	56.0	PHG 3L560XP	13	1/2	1 372	54.0	PHG 4L540XP	13	1/2	2 769	109.0	PHG 4L1090XP			
10	3/8	1 448	57.0	PHG 3L570XP	13	1/2	1 397	55.0	PHG 4L550XP	13	1/2	2 794	110.0	PHG 4L1100XP			
10	3/8	1 473	58.0	PHG 3L580XP	13	1/2	1 422	56.0	PHG 4L560XP	13	1/2	2 819	111.0	PHG 4L1110XP			
10	3/8	1 499	59.0	PHG 3L590XP	13	1/2	1 448	57.0	PHG 4L570XP	13	1/2	2 845	112.0	PHG 4L1120XP			
10	3/8	1 524	60.0	PHG 3L600XP	13	1/2	1 473	58.0	PHG 4L580XP	13	1/2	2 870	113.0	PHG 4L1130XP			
10	3/8	1 549	61.0	PHG 3L610XP	13	1/2	1 499	59.0	PHG 4L590XP	13	1/2	2 896	114.0	PHG 4L1140XP			
10	3/8	1 575	62.0	PHG 3L620XP	13	1/2	1 524	60.0	PHG 4L600XP	13	1/2	2 946	116.0	PHG 4L1160XP			
10	3/8	1 600	63.0	PHG 3L630XP	13	1/2	1 549	61.0	PHG 4L610XP	13	1/2	2 972	117.0	PHG 4L1170XP			
10	3/8	1 753	69.0	PHG 3L690XP	13	1/2	1 575	62.0	PHG 4L620XP	13	1/2	3 048	120.0	PHG 4L1200XP			
10	3/8	1 803	71.0	PHG 3L710XP	13	1/2	1 600	63.0	PHG 4L630XP	13	1/2	3 353	132.0	PHG 4L1320XP			
10	3/8	1 880	74.0	PHG 3L740XP	13	1/2	1 626	64.0	PHG 4L640XP								
10	3/8	1 905	75.0	PHG 3L750XP	13	1/2	1 651	65.0	PHG 4L650XP								
												5L	17	5/8	584	23.0	PHG 5L230XP



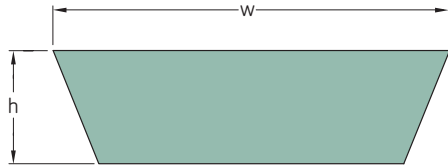
SKF XP Lawn and Garden v-belts

5L

Section	Dimensions		OD: Length		Designation	Section	Dimensions		OD: Length		Designation
	Width		mm	in.			mm	in.	mm	in.	
5L	17	5/8	610	24.0	PHG 5L240XP	5L	17	5/8	2 540	100.0	PHG 5L1000XP
	17	5/8	635	25.0	PHG 5L250XP		17	5/8	2 565	101.0	PHG 5L1010XP
	17	5/8	660	26.0	PHG 5L260XP		17	5/8	2 591	102.0	PHG 5L1020XP
	17	5/8	686	27.0	PHG 5L270XP		17	5/8	2 616	103.0	PHG 5L1030XP
	17	5/8	711	28.0	PHG 5L280XP		17	5/8	2 642	104.0	PHG 5L1040XP
	17	5/8	737	29.0	PHG 5L290XP		17	5/8	2 667	105.0	PHG 5L1050XP
	17	5/8	762	30.0	PHG 5L300XP		17	5/8	2 692	106.0	PHG 5L1060XP
	17	5/8	787	31.0	PHG 5L310XP		17	5/8	2 718	107.0	PHG 5L1070XP
	17	5/8	813	32.0	PHG 5L320XP		17	5/8	2 743	108.0	PHG 5L1080XP
	17	5/8	838	33.0	PHG 5L330XP		17	5/8	2 769	109.0	PHG 5L1090XP
	17	5/8	864	34.0	PHG 5L340XP		17	5/8	2 845	112.0	PHG 5L1120XP
	17	5/8	889	35.0	PHG 5L350XP		17	5/8	2 896	114.0	PHG 5L1140XP
	17	5/8	914	36.0	PHG 5L360XP		17	5/8	2 997	118.0	PHG 5L1180XP
	17	5/8	940	37.0	PHG 5L370XP		17	5/8	3 048	120.0	PHG 5L1200XP
	17	5/8	965	38.0	PHG 5L380XP		17	5/8	3 099	122.0	PHG 5L1220XP
	17	5/8	991	39.0	PHG 5L390XP		17	5/8	3 150	124.0	PHG 5L1240XP
	17	5/8	1 016	40.0	PHG 5L400XP		17	5/8	3 200	126.0	PHG 5L1260XP
	17	5/8	1 041	41.0	PHG 5L410XP		17	5/8	3 251	128.0	PHG 5L1280XP
	17	5/8	1 067	42.0	PHG 5L420XP		17	5/8	3 302	130.0	PHG 5L1300XP
	17	5/8	1 092	43.0	PHG 5L430XP		17	5/8	3 353	132.0	PHG 5L1320XP
	17	5/8	1 118	44.0	PHG 5L440XP		17	5/8	3 404	134.0	PHG 5L1340XP
	17	5/8	1 143	45.0	PHG 5L450XP		17	5/8	3 454	136.0	PHG 5L1360XP
	17	5/8	1 168	46.0	PHG 5L460XP		17	5/8	3 505	138.0	PHG 5L1380XP
	17	5/8	1 194	47.0	PHG 5L470XP		17	5/8	3 556	140.0	PHG 5L1400XP
	17	5/8	1 219	48.0	PHG 5L480XP						
	17	5/8	1 245	49.0	PHG 5L490XP						
	17	5/8	1 270	50.0	PHG 5L500XP						
	17	5/8	1 295	51.0	PHG 5L510XP						
	17	5/8	1 321	52.0	PHG 5L520XP						
	17	5/8	1 346	53.0	PHG 5L530XP						
	17	5/8	1 372	54.0	PHG 5L540XP						
	17	5/8	1 397	55.0	PHG 5L550XP						
	17	5/8	1 422	56.0	PHG 5L560XP						
	17	5/8	1 448	57.0	PHG 5L570XP						
	17	5/8	1 473	58.0	PHG 5L580XP						
	17	5/8	1 499	59.0	PHG 5L590XP						
	17	5/8	1 524	60.0	PHG 5L600XP						
	17	5/8	1 549	61.0	PHG 5L610XP						
	17	5/8	1 575	62.0	PHG 5L620XP						
	17	5/8	1 600	63.0	PHG 5L630XP						
	17	5/8	1 626	64.0	PHG 5L640XP						
	17	5/8	1 651	65.0	PHG 5L650XP						
	17	5/8	1 676	66.0	PHG 5L660XP						
	17	5/8	1 702	67.0	PHG 5L670XP						
	17	5/8	1 727	68.0	PHG 5L680XP						
	17	5/8	1 753	69.0	PHG 5L690XP						
	17	5/8	1 778	70.0	PHG 5L700XP						
	17	5/8	1 803	71.0	PHG 5L710XP						
	17	5/8	1 829	72.0	PHG 5L720XP						
	17	5/8	1 854	73.0	PHG 5L730XP						
	17	5/8	1 880	74.0	PHG 5L740XP						
	17	5/8	1 905	75.0	PHG 5L750XP						
	17	5/8	1 930	76.0	PHG 5L760XP						
	17	5/8	1 956	77.0	PHG 5L770XP						
	17	5/8	1 981	78.0	PHG 5L780XP						
	17	5/8	2 007	79.0	PHG 5L790XP						
	17	5/8	2 032	80.0	PHG 5L800XP						
	17	5/8	2 057	81.0	PHG 5L810XP						
	17	5/8	2 083	82.0	PHG 5L820XP						
	17	5/8	2 108	83.0	PHG 5L830XP						
	17	5/8	2 134	84.0	PHG 5L840XP						
	17	5/8	2 159	85.0	PHG 5L850XP						
	17	5/8	2 184	86.0	PHG 5L860XP						
	17	5/8	2 210	87.0	PHG 5L870XP						
	17	5/8	2 235	88.0	PHG 5L880XP						
	17	5/8	2 261	89.0	PHG 5L890XP						
	17	5/8	2 286	90.0	PHG 5L900XP						
	17	5/8	2 311	91.0	PHG 5L910XP						
	17	5/8	2 337	92.0	PHG 5L920XP						
	17	5/8	2 362	93.0	PHG 5L930XP						
	17	5/8	2 388	94.0	PHG 5L940XP						
	17	5/8	2 413	95.0	PHG 5L950XP						
	17	5/8	2 438	96.0	PHG 5L960XP						
	17	5/8	2 464	97.0	PHG 5L970XP						
	17	5/8	2 489	98.0	PHG 5L980XP						
	17	5/8	2 515	99.0	PHG 5L990XP						

Variable speed belts

VS



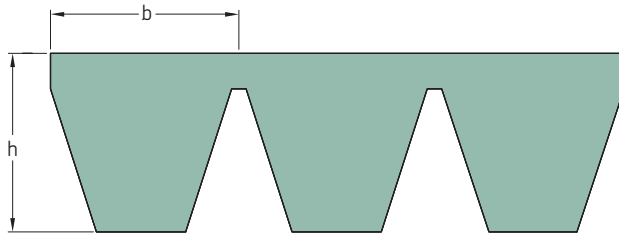
Section	Number of ribs	Dimensions		Inside length	w		h	Designation
		Pitch length						
-	-	mm	in.	mm			-	-
VS	1	496	19.53	476	17	5	PHG VS17X5X476	
		556	21.89	536	17	5	PHG VS17X5X536	
		590	23.23	570	17	5	PHG VS17X5X570	
		626	24.65	606	17	5	PHG VS17X5X606	
		796	31.34	776	17	5	PHG VS17X5X776	
VS	2	620	24.41	600	21	6	PHG VS21X6X600	
		630	24.80	610	21	6	PHG VS21X6X610	
		695	27.36	675	21	6	PHG VS21X6X675	
		790	31.10	770	21	6	PHG VS21X6X770	
		556	21.89	525	22	8	PHG VS22X8X525	
		596	23.46	565	22	8	PHG VS22X8X565	
		681	26.81	650	22	8	PHG VS22X8X650	
		731	28.78	700	22	8	PHG VS22X8X700	
		781	30.75	750	22	8	PHG VS22X8X750	
		831	32.72	800	22	8	PHG VS22X8X800	
VS	3	881	34.69	850	22	8	PHG VS22X8X850	
		931	36.65	900	22	8	PHG VS22X8X900	
		981	38.62	950	22	8	PHG VS22X8X950	
		1 031	40.59	1 000	22	8	PHG VS22X8X1000	
		686	27.01	655	26	8	PHG VS26X8X655	
		703	27.68	672	26	8	PHG VS26X8X672	
		781	30.75	750	26	8	PHG VS26X8X750	
		793	31.22	762	26	8	PHG VS26X8X762	
		831	32.72	800	26	8	PHG VS26X8X800	
		893	35.16	862	26	8	PHG VS26X8X862	
VS	4	993	39.09	962	26	8	PHG VS26X8X962	
		631	24.84	600	28	8	PHG VS28X8X600	
		681	26.81	650	28	8	PHG VS28X8X650	
		731	28.78	700	28	8	PHG VS28X8X700	
		781	30.75	750	28	8	PHG VS28X8X750	
		831	32.72	800	28	8	PHG VS28X8X800	
		881	34.69	850	28	8	PHG VS28X8X850	
		931	36.65	900	28	8	PHG VS28X8X900	
		981	38.62	950	28	8	PHG VS28X8X950	
		1 031	40.59	1 000	28	8	PHG VS28X8X1000	
VS	5	1 151	45.31	1 120	28	8	PHG VS28X8X1120	
		692	27.24	650	30	10	PHG VS30X10X650	
		842	33.15	800	30	10	PHG VS30X10X800	
		892	35.12	850	30	10	PHG VS30X10X850	
		942	37.09	900	30	10	PHG VS30X10X900	
		992	39.06	950	30	10	PHG VS30X10X950	
		1 042	41.02	1 000	30	10	PHG VS30X10X1000	
		1 162	45.75	1 120	30	10	PHG VS30X10X1120	
		1 242	48.90	1 200	30	10	PHG VS30X10X1200	
		1 542	60.71	1 500	30	10	PHG VS30X10X1500	
VS	6	792	31.18	750	32	10	PHG VS32X10X750	
		832	32.76	790	32	10	PHG VS32X10X790	
		862	33.94	820	32	10	PHG VS32X10X820	
		892	35.12	850	32	10	PHG VS32X10X850	
		942	37.09	900	32	10	PHG VS32X10X900	
		992	39.06	992	32	10	PHG VS32X10X992	
		1 042	41.02	1 000	32	10	PHG VS32X10X1000	
		1 115	43.90	1 073	32	10	PHG VS32X10X1073	
		1 162	45.75	1 120	32	10	PHG VS32X10X1120	
		1 222	48.11	1 180	32	10	PHG VS32X10X1180	

Section	Number of ribs	Dimensions		Inside length	w		h	Designation
		Pitch length						
-	-	mm	in.	mm			-	-
VS	1	1 242	48.90	1 200	32	10	PHG VS32X10X1200	
		702	27.64	660	37	10	PHG VS37X10X660	
		842	33.15	800	37	10	PHG VS37X10X800	
		892	35.12	850	37	10	PHG VS37X10X850	
		942	37.09	900	37	10	PHG VS37X10X900	
VS	2	992	39.06	950	37	10	PHG VS37X10X950	
		1 042	41.02	1 000	37	10	PHG VS37X10X1000	
		1 102	43.39	1 060	37	10	PHG VS37X10X1060	
		1 162	45.75	1 120	37	10	PHG VS37X10X1120	
		1 222	48.11	1 180	37	10	PHG VS37X10X1180	
		1 442	56.77	1 400	37	10	PHG VS37X10X1400	
		1 542	60.71	1 500	37	10	PHG VS37X10X1500	
		1 642	64.65	1 600	37	10	PHG VS37X10X1600	
		978	38.50	925	41	13	PHG VS41X13X925	
		1 053	41.46	1 000	41	13	PHG VS41X13X1000	
VS	3	1 093	43.03	1 040	41	13	PHG VS41X13X1040	
		1 113	43.82	1 060	41	13	PHG VS41X13X1060	
		1 173	46.18	1 120	41	13	PHG VS41X13X1120	
		1 233	48.54	1 180	41	13	PHG VS41X13X1180	
		1 303	51.30	1 250	41	13	PHG VS41X13X1250	
		1 393	54.84	1 340	41	13	PHG VS41X13X1340	
		1 493	58.78	1 440	41	13	PHG VS41X13X1440	
		1 653	65.08	1 600	41	13	PHG VS41X13X1600	
		1 793	70.59	1 740	41	13	PHG VS41X13X1740	
		1 053	41.46	1 000	47	13	PHG VS47X13X1000	
VS	4	1 113	43.82	1 060	47	13	PHG VS47X13X1060	
		1 173	46.18	1 120	47	13	PHG VS47X13X1120	
		1 233	48.54	1 180	47	13	PHG VS47X13X1180	
		1 303	51.30	1 250	47	13	PHG VS47X13X1250	
		1 373	54.06	1 320	47	13	PHG VS47X13X1320	
		1 453	57.20	1 400	47	13	PHG VS47X13X1400	
		1 553	61.14	1 500	47	13	PHG VS47X13X1500	
		1 653	65.08	1 600	47	13	PHG VS47X13X1600	
		1 753	69.02	1 700	47	13	PHG VS47X13X1700	
		1 853	72.95	1 800	47	13	PHG VS47X13X1800	
VS	5	1 233	48.54	1 180	52	16	PHG VS52X16X1180	
		1 303	51.30	1 250	52	16	PHG VS52X16X1250	
		1 453	57.20	1 400	52	16	PHG VS52X16X1400	
		1 578	62.13	1 525	52	16	PHG VS52X16X1525	
		1 653	65.08	1 600	52	16	PHG VS52X16X1600	
		1 978	77.87	1 925	52	16	PHG VS52X16X1925	
		1 453	57.20	1 400	55	16	PHG VS55X16X1400	
		1 553	61.14	1 500	55	16	PHG VS55X16X1500	
		1 653	65.08	1 600	55	16	PHG VS55X16X1600	
		1 753	69.02	1 700	55	16	PHG VS55X16X1700	
VS	6	1 853	72.95	1 800	55	16	PHG VS55X16X1800	
		1 772	69.76	1 706	65	20	PHG VS65X20X1706	
		1 972	77.64	1 906	65	20	PHG VS65X20X1906	
		1 666	65.59	1 600	70	18	PHG VS70X18X1600	
		1 766	69.53	1 700	70	18	PHG VS70X18X1700	
		1 866	73.46	1 800	70	18	PHG VS70X18X1800	
		1 966	77.40	1 900	70	18	PHG VS70X18X1900	
		2 066	81.34	2 000	70	18	PHG VS70X18X2000	

Non-standard lengths may also be available.

# SKF Banded Wedge Belts

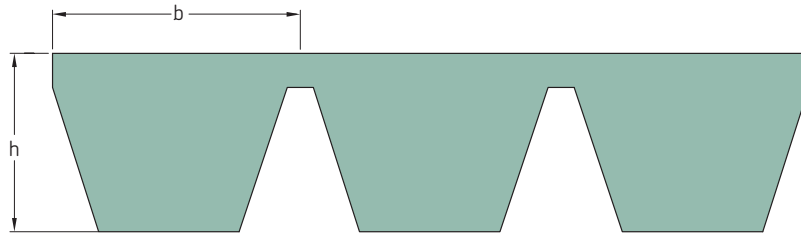
SPA | SPB | SPC



Section	Dimensions			Designation	Section	Dimensions			Designation	
	Pitch length	b	h			Pitch length	b	h		
–	mm	–	–	–	mm	–	–	–		
SPA	1 250	12,8	12,0	PHG SPA1250X...	SPC	4 500	22,0	22,6	PHG SPC4500X...	
	1 400	12,8	12,0	PHG SPA1400X...		4 750	22,0	22,6	PHG SPC4750X...	
	1 500	12,8	12,0	PHG SPA1500X...		5 000	22,0	22,6	PHG SPC5000X...	
	1 600	12,8	12,0	PHG SPA1600X...		5 300	22,0	22,6	PHG SPC5300X...	
	1 700	12,8	12,0	PHG SPA1700X...		5 600	22,0	22,6	PHG SPC5600X...	
	1 800	12,8	12,0	PHG SPA1800X...		6 000	22,0	22,6	PHG SPC6000X...	
	1 900	12,8	12,0	PHG SPA1900X...		6 300	22,0	22,6	PHG SPC6300X...	
	2 000	12,8	12,0	PHG SPA2000X...		6 700	22,0	22,6	PHG SPC6700X...	
	2 120	12,8	12,0	PHG SPA2120X...		7 100	22,0	22,6	PHG SPC7100X...	
	2 240	12,8	12,0	PHG SPA2240X...		7 500	22,0	22,6	PHG SPC7500X...	
	2 360	12,8	12,0	PHG SPA2360X...		8 000	22,0	22,6	PHG SPC8000X...	
	2 500	12,8	12,0	PHG SPA2500X...		8 500	22,0	22,6	PHG SPC8500X...	
	2 650	12,8	12,0	PHG SPA2650X...		9 000	22,0	22,6	PHG SPC9000X...	
	2 800	12,8	12,0	PHG SPA2800X...		9 500	22,0	22,6	PHG SPC9500X...	
	3 000	12,8	12,0	PHG SPA3000X...		10 000	22,0	22,6	PHG SPC10000X...	
	3 150	12,8	12,0	PHG SPA3150X...		10 600	22,0	22,6	PHG SPC10600X...	
	3 350	12,8	12,0	PHG SPA3350X...		11 200	22,0	22,6	PHG SPC11200X...	
	3 550	12,8	12,0	PHG SPA3550X...		11 800	22,0	22,6	PHG SPC11800X...	
	3 750	12,8	12,0	PHG SPA3750X...		12 500	22,0	22,6	PHG SPC12500X...	
	4 000	12,8	12,0	PHG SPA4000X...						
	4 250	12,8	12,0	PHG SPA4250X...						
	4 500	12,8	12,0	PHG SPA4500X...						
	SPB	2 000	16,5	15,6		PHG SPB2000X...				
		2 120	16,5	15,6		PHG SPB2120X...				
		2 240	16,5	15,6		PHG SPB2240X...				
		2 360	16,5	15,6		PHG SPB2360X...				
2 500		16,5	15,6	PHG SPB2500X...						
2 650		16,5	15,6	PHG SPB2650X...						
2 800		16,5	15,6	PHG SPB2800X...						
3 000		16,5	15,6	PHG SPB3000X...						
3 150		16,5	15,6	PHG SPB3150X...						
3 350		16,5	15,6	PHG SPB3350X...						
3 550		16,5	15,6	PHG SPB3550X...						
3 750		16,5	15,6	PHG SPB3750X...						
4 000		16,5	15,6	PHG SPB4000X...						
4 250		16,5	15,6	PHG SPB4250X...						
4 500		16,5	15,6	PHG SPB4500X...						
4 750		16,5	15,6	PHG SPB4750X...						
5 000		16,5	15,6	PHG SPB5000X...						
5 300		16,5	15,6	PHG SPB5300X...						
5 600		16,5	15,6	PHG SPB5600X...						
6 000		16,5	15,6	PHG SPB6000X...						
6 300		16,5	15,6	PHG SPB6300X...						
6 700		16,5	15,6	PHG SPB6700X...						
7 100		16,5	15,6	PHG SPB7100X...						
7 500		16,5	15,6	PHG SPB7500X...						
8 000		16,5	15,6	PHG SPB8000X...						
SPC		3 000	22,0	22,6	PHG SPC3000X...					
	3 150	22,0	22,6	PHG SPC3150X...						
	3 350	22,0	22,6	PHG SPC3350X...						
	3 550	22,0	22,6	PHG SPC3550X...						
	3 750	22,0	22,6	PHG SPC3750X...						
	4 000	22,0	22,6	PHG SPC4000X...						
	4 250	22,0	22,6	PHG SPC4250X...						

Non-standard lengths are also available.  
To complete designation, add number of bands. For example PHG SPC8000X4.

**SKF Banded Classical Belts**  
 13/A | 17/B | 22/C | 32/D



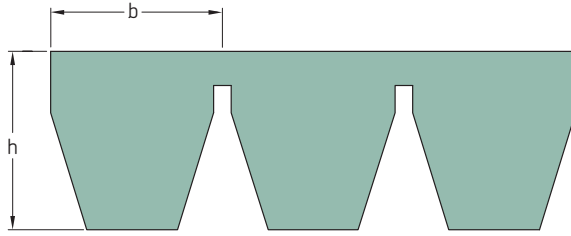
Section	Dimensions		Designation		
	Pitch length	Inside length	b	h	
–	mm	in.	mm	–	
13/A	1 230	47.0	13	9,9	PHG A47X...
	1 330	51.0	13	9,9	PHG A51X...
	1 460	56.0	13	9,9	PHG A56X...
	1 480	57.0	13	9,9	PHG A57X...
	1 530	59.0	13	9,9	PHG A59X...
	1 660	64.0	13	9,9	PHG A64X...
	1 740	67.0	13	9,9	PHG A67X...
	1 840	71.0	13	9,9	PHG A71X...
	1 940	75.0	13	9,9	PHG A75X...
	2 050	79.0	13	9,9	PHG A79X...
	2 270	88.0	13	9,9	PHG A88X...
	2 520	98.0	13	9,9	PHG A98X...
	2 570	100.0	13	9,9	PHG A100X...
	2 680	104.0	13	9,9	PHG A104X...
	2 880	112.0	13	9,9	PHG A112X...
17/B	3 080	120.0	13	9,9	PHG A120X...
	3 290	128.0	13	9,9	PHG A128X...
	3 690	144.0	13	9,9	PHG A144X...
	4 043	158.0	13	9,9	PHG A158X...
	4 270	167.0	13	9,9	PHG A167X...
	4 780	187.0	13	9,9	PHG A187X...
	1 240	47.0	17	13,0	PHG B47X...
	1 340	51.0	17	13,0	PHG B51X...
	1 440	55.0	17	13,0	PHG B55X...
	1 540	59.0	17	13,0	PHG B59X...
	1 590	61.0	17	13,0	PHG B61X...
	1 640	63.0	17	13,0	PHG B63X...
	1 670	64.0	17	13,0	PHG B64X...
	1 740	67.0	17	13,0	PHG B67X...
	1 850	71.0	17	13,0	PHG B71X...
1 900	73.0	17	13,0	PHG B73X...	
1 950	75.0	17	13,0	PHG B75X...	
2 050	79.0	17	13,0	PHG B79X...	
2 150	83.0	17	13,0	PHG B83X...	
2 280	88.0	17	13,0	PHG B88X...	
2 350	91.0	17	13,0	PHG B91X...	
2 435	94.5	17	13,0	PHG B94.5X...	
2 530	98.0	17	13,0	PHG B98X...	
2 630	102.0	17	13,0	PHG B102X...	
2 740	106.0	17	13,0	PHG B106X...	
2 890	112.0	17	13,0	PHG B112X...	
3 040	118.0	17	13,0	PHG B118X...	
3 090	120.0	17	13,0	PHG B120X...	
3 290	128.0	17	13,0	PHG B128X...	
3 400	132.0	17	13,0	PHG B132X...	
3 600	140.0	17	13,0	PHG B140X...	
3 750	146.0	17	13,0	PHG B146X...	
3 800	148.0	17	13,0	PHG B148X...	
4 060	158.0	17	13,0	PHG B158X...	
4 280	167.0	17	13,0	PHG B167X...	
4 540	177.0	17	13,0	PHG B177X...	
4 800	187.0	17	13,0	PHG B187X...	
5 044	197.0	17	13,0	PHG B197X...	
5 340	208.0	17	13,0	PHG B208X...	

Section	Dimensions		Designation		
	Pitch length	Inside length	b	h	
–	mm	in.	mm	–	
17/B	5 630	220.0	17	13,0	PHG B220X...
22/C	2 340	90.0	22	16,2	PHG C90X...
	2 550	98.0	22	16,2	PHG C98X...
	2 800	108.0	22	16,2	PHG C108X...
	3 100	120.0	22	16,2	PHG C120X...
	3 310	128.0	22	16,2	PHG C128X...
	3 610	140.0	22	16,2	PHG C140X...
	3 760	146.0	22	16,2	PHG C146X...
	3 895	151.0	22	16,2	PHG C151X...
	4 300	167.0	22	16,2	PHG C167X...
	4 560	177.0	22	16,2	PHG C177X...
32/D	4 810	187.0	22	16,2	PHG C187X...
	5 060	197.0	22	16,2	PHG C197X...
	5 340	208.0	22	16,2	PHG C208X...
	5 640	220.0	22	16,2	PHG C220X...
	6 050	236.0	22	16,2	PHG C236X...
	6 360	248.0	22	16,2	PHG C248X...
	4 080	158.0	32	22,4	PHG D158X...
	4 190	162.0	32	22,4	PHG D162X...
	4 470	173.0	32	22,4	PHG D173X...
	4 650	180.0	32	22,4	PHG D180X...
	5 030	195.0	32	22,4	PHG D195X...
	5 400	210.0	32	22,4	PHG D210X...
	5 790	225.0	32	22,4	PHG D225X...
	6 170	240.0	32	22,4	PHG D240X...
	6 560	255.0	32	22,4	PHG D255X...
6 940	270.0	32	22,4	PHG D270X...	
7 320	285.0	32	22,4	PHG D285X...	
7 700	300.0	32	22,4	PHG D300X...	
8 080	315.0	32	22,4	PHG D315X...	
8 460	330.0	32	22,4	PHG D330X...	
8 840	345.0	32	22,4	PHG D345X...	
9 220	360.0	32	22,4	PHG D360X...	
9 980	390.0	32	22,4	PHG D390X...	
10 740	420.0	32	22,4	PHG D420X...	
11 505	450.0	32	22,4	PHG D450X...	
12 270	480.0	32	22,4	PHG D480X...	
13 790	540.0	32	22,4	PHG D540X...	

Non-standard lengths are also available.  
 To complete designation add number of bands. For example PHG D360X6.

# SKF Banded Narrow Wedge Belts

3V/9J | 5V/15J | 8V/25J

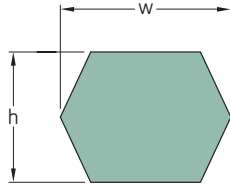


Section	Dimensions Outside length		b		h	Designation	Section	Dimensions Outside length		b		h	Designation		
	mm	in.	mm	mm				mm	in.	mm	mm				
3V/9J	1 270	50	9	9,9	PHG 3V500X... PHG 3V530X... PHG 3V560X... PHG 3V600X... PHG 3V630X...  PHG 3V670X... PHG 3V710X... PHG 3V750X... PHG 3V800X... PHG 3V850X...  PHG 3V900X... PHG 3V950X... PHG 3V1000X... PHG 3V1060X... PHG 3V1200X...  PHG 3V1180X... PHG 3V1250X... PHG 3V1320X... PHG 3V1400X...	PHG 3V500X... PHG 3V530X... PHG 3V560X... PHG 3V600X... PHG 3V630X...  PHG 3V670X... PHG 3V710X... PHG 3V750X... PHG 3V800X... PHG 3V850X...  PHG 3V900X... PHG 3V950X... PHG 3V1000X... PHG 3V1060X... PHG 3V1200X...  PHG 3V1180X... PHG 3V1250X... PHG 3V1320X... PHG 3V1400X...	8V/25J	2 997	118	25	25,5	PHG 8V1180X... PHG 8V1250X... PHG 8V1320X... PHG 8V1400X... PHG 8V1500X...  PHG 8V1600X... PHG 8V1700X... PHG 8V1800X... PHG 8V1900X... PHG 8V2000X...  PHG 8V2120X... PHG 8V2240X... PHG 8V2360X... PHG 8V2500X... PHG 8V2650X...  PHG 8V2800X... PHG 8V3000X... PHG 8V3150X... PHG 8V3350X... PHG 8V3550X...	PHG 8V1180X... PHG 8V1250X... PHG 8V1320X... PHG 8V1400X... PHG 8V1500X...  PHG 8V1600X... PHG 8V1700X... PHG 8V1800X... PHG 8V1900X... PHG 8V2000X...  PHG 8V2120X... PHG 8V2240X... PHG 8V2360X... PHG 8V2500X... PHG 8V2650X...  PHG 8V2800X... PHG 8V3000X... PHG 8V3150X... PHG 8V3350X... PHG 8V3550X...	PHG 8V1180X... PHG 8V1250X... PHG 8V1320X... PHG 8V1400X... PHG 8V1500X...  PHG 8V1600X... PHG 8V1700X... PHG 8V1800X... PHG 8V1900X... PHG 8V2000X...  PHG 8V2120X... PHG 8V2240X... PHG 8V2360X... PHG 8V2500X... PHG 8V2650X...  PHG 8V2800X... PHG 8V3000X... PHG 8V3150X... PHG 8V3350X... PHG 8V3550X...	
	1 346	53	9	9,9				3 175	125	25	25,5				PHG 8V1700X...
	1 422	56	9	9,9				3 353	132	25	25,5				PHG 8V1800X...
	1 524	60	9	9,9				3 556	140	25	25,5				PHG 8V1900X...
	1 600	63	9	9,9				3 810	150	25	25,5				PHG 8V2000X...
	1 702	67	9	9,9				4 064	160	25	25,5				PHG 8V2120X...
	1 803	71	9	9,9				4 318	170	25	25,5				PHG 8V2240X...
	1 905	75	9	9,9				4 572	180	25	25,5				PHG 8V2360X...
	2 032	80	9	9,9				4 826	190	25	25,5				PHG 8V2500X...
	2 159	85	9	9,9				5 080	200	25	25,5				PHG 8V2650X...
	2 286	90	9	9,9				5 385	212	25	25,5				PHG 8V2800X...
	2 413	95	9	9,9				5 690	224	25	25,5				PHG 8V3000X...
2 540	100	9	9,9	5 994	236	25	25,5	PHG 8V3150X...							
2 692	106	9	9,9	6 350	250	25	25,5	PHG 8V3350X...							
2 845	112	9	9,9	6 731	265	25	25,5	PHG 8V3550X...							
2 997	118	9	9,9	7 112	280	25	25,5	PHG 8V3750X...							
3 175	125	9	9,9	7 620	300	25	25,5	PHG 8V4000X...							
3 353	132	9	9,9	8 001	315	25	25,5	PHG 8V4250X...							
3 556	140	9	9,9	8 509	335	25	25,5	PHG 8V4500X...							
1 422	56	15	15,1	12 065	475	25	25,5	PHG 8V4750X...							
1 524	60	15	15,1	9 525	375	25	25,5	PHG 5V560X...							
1 600	63	15	15,1	10 160	400	25	25,5	PHG 5V600X...							
1 702	67	15	15,1	10 795	425	25	25,5	PHG 5V630X...							
1 803	71	15	15,1	11 430	450	25	25,5	PHG 5V670X...							
1 905	75	15	15,1	12 065	475	25	25,5	PHG 5V710X...							
2 032	80	15	15,1					PHG 5V750X...							
2 159	85	15	15,1					PHG 5V800X...							
2 286	90	15	15,1					PHG 5V850X...							
2 413	95	15	15,1					PHG 5V900X...							
2 540	100	15	15,1					PHG 5V950X...							
2 692	106	15	15,1					PHG 5V1000X...							
2 845	112	15	15,1					PHG 5V1060X...							
2 997	118	15	15,1					PHG 5V1120X...							
3 175	125	15	15,1					PHG 5V1180X...							
								PHG 5V1250X...							
								PHG 5V1320X...							
								PHG 5V1400X...							
								PHG 5V1500X...							
								PHG 5V1600X...							
								PHG 5V1700X...							
								PHG 5V1800X...							
								PHG 5V1900X...							
								PHG 5V2000X...							
								PHG 5V2120X...							
								PHG 5V2240X...							
								PHG 5V2360X...							
								PHG 5V2500X...							
								PHG 5V2650X...							
								PHG 5V2800X...							
								PHG 5V3000X...							
								PHG 5V3150X...							
								PHG 5V3350X...							
2 540	100	25	25,5					PHG 8V1000X...							
2 692	106	25	25,5					PHG 8V1060X...							
2 845	112	25	25,5					PHG 8V1120X...							

Non-standard lengths are also available.  
To complete designation add number of bands. For example PHG 8V3350X3.

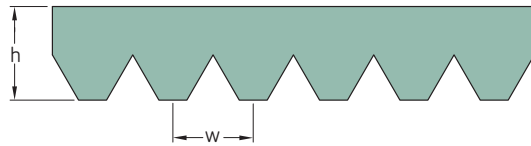
# SKF Double Classical (Hex) Belts

AA/HAA | BB/HBB | CC/HCC



Section	Dimensions				Designation	
	Pitch length	Inside length	w	h		
	mm	in.	mm			
AA/HAA	2 000	77	13	10	PHG AA77	
	2 032	78	13	10	PHG AA78	
	2 370	91	13	10	PHG AA91	
	2 500	96	13	10	PHG AA96	
	2 650	102	13	10	PHG AA102	
	2 667	103	13	10	PHG AA103	
	2 800	108	13	10	PHG AA108	
	3 300	128	13	10	PHG AA128	
	3 920	152	13	10	PHG AA152	
	BB/HBB	1 980	75	17	13	PHG BB75
		2 180	83	17	13	PHG BB83
		2 300	88	17	13	PHG BB88
		2 370	90	17	13	PHG BB90
		2 500	95	17	13	PHG BB95
2 540		97	17	13	PHG BB97	
2 600		99	17	13	PHG BB99	
2 650		101	17	13	PHG BB101	
2 740		105	17	13	PHG BB105	
2 800		107	17	13	PHG BB107	
2 850		109	17	13	PHG BB109	
2 920		112	17	13	PHG BB112	
3 000		115	17	13	PHG BB115	
3 030		116	17	13	PHG BB116	
3 150		121	17	13	PHG BB121	
3 250		125	17	13	PHG BB125	
3 280		126	17	13	PHG BB126	
3 325		128	17	13	PHG BB128	
3 390		131	17	13	PHG BB131	
3 450		133	17	13	PHG BB133	
3 500		135	17	13	PHG BB135	
3 550		137	17	13	PHG BB137	
3 730		144	17	13	PHG BB144	
3 750		145	17	13	PHG BB145	
4 010		155	17	13	PHG BB155	
4 040		156	17	13	PHG BB156	
4 200		162	17	13	PHG BB162	
4 470		173	17	13	PHG BB173	
4 500		174	17	13	PHG BB174	
4 750		184	17	13	PHG BB184	
CC/HCC	2 280	86	22	17	PHG CC86	
	2 500	94	22	17	PHG CC94	
	2 800	106	22	17	PHG CC106	
	3 200	122	22	17	PHG CC122	
	3 310	126	22	17	PHG CC126	
	3 765	144	22	17	PHG CC144	
	4 000	153	22	17	PHG CC153	
	4 216	162	22	17	PHG CC162	
	4 300	165	22	17	PHG CC165	
	4 500	173	22	17	PHG CC173	
	5 000	193	22	17	PHG CC193	
	5 300	204	22	17	PHG CC204	
	5 340	206	22	17	PHG CC206	
	5 750	224	22	17	PHG CC224	

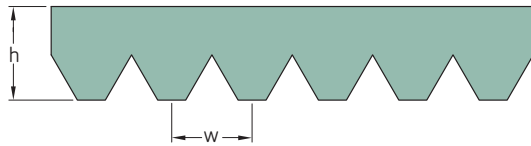
Non-standard lengths are also available.



Section	Dimensions		Designation		
	Effective length		w	h	
–	mm	in.	mm	–	
PH	600	23.6	1,60	2,50	PHG ...PH600
	690	27.2	1,60	2,50	PHG ...PH690
	760	29.9	1,60	2,50	PHG ...PH760
	810	31.9	1,60	2,50	PHG ...PH810
	850	33.5	1,60	2,50	PHG ...PH850
	865	34.1	1,60	2,50	PHG ...PH865
	880	34.6	1,60	2,50	PHG ...PH880
	955	37.6	1,60	2,50	PHG ...PH955
	965	38.0	1,60	2,50	PHG ...PH965
	975	38.4	1,60	2,50	PHG ...PH975
	990	39.0	1,60	2,50	PHG ...PH990
	1 010	39.8	1,60	2,50	PHG ...PH1010
	1 080	42.5	1,60	2,50	PHG ...PH1080
	1 090	42.9	1,60	2,50	PHG ...PH1090
	1 095	43.1	1,60	2,50	PHG ...PH1095
PJ	1 160	45.7	1,60	2,50	PHG ...PH1160
	1 200	47.2	1,60	2,50	PHG ...PH1200
	1 220	48.0	1,60	2,50	PHG ...PH1220
	1 230	48.4	1,60	2,50	PHG ...PH1230
	1 240	48.8	1,60	2,50	PHG ...PH1240
	1 260	49.6	1,60	2,50	PHG ...PH1260
	1 270	50.0	1,60	2,50	PHG ...PH1270
	1 285	50.6	1,60	2,50	PHG ...PH1285
	1 300	51.2	1,60	2,50	PHG ...PH1300
	1 305	51.4	1,60	2,50	PHG ...PH1305
	1 320	52.0	1,60	2,50	PHG ...PH1320
	1 475	58.1	1,60	2,50	PHG ...PH1475
	1 600	63.0	1,60	2,50	PHG ...PH1600
	540	21.3	2,34	3,50	PHG ...PJ540
	550	21.7	2,34	3,50	PHG ...PJ550
580	22.8	2,34	3,50	PHG ...PJ580	
610	24.0	2,34	3,50	PHG ...PJ610	
660	26.0	2,34	3,50	PHG ...PJ660	
710	28.0	2,34	3,50	PHG ...PJ710	
720	28.3	2,34	3,50	PHG ...PJ720	
760	29.9	2,34	3,50	PHG ...PJ760	
810	31.9	2,34	3,50	PHG ...PJ810	
830	32.7	2,34	3,50	PHG ...PJ830	
860	33.9	2,34	3,50	PHG ...PJ860	
910	35.8	2,34	3,50	PHG ...PJ910	
955	37.6	2,34	3,50	PHG ...PJ955	
965	38.0	2,34	3,50	PHG ...PJ965	
1 010	39.8	2,34	3,50	PHG ...PJ1010	
1 090	42.9	2,34	3,50	PHG ...PJ1090	
1 105	43.5	2,34	3,50	PHG ...PJ1105	
1 110	43.7	2,34	3,50	PHG ...PJ1110	
1 120	44.1	2,34	3,50	PHG ...PJ1120	
1 130	44.5	2,34	3,50	PHG ...PJ1130	
1 150	45.3	2,34	3,50	PHG ...PJ1150	
1 160	45.7	2,34	3,50	PHG ...PJ1160	
1 190	46.9	2,34	3,50	PHG ...PJ1190	
1 200	47.3	2,34	3,50	PHG ...PJ1200	
1 220	48.0	2,34	3,50	PHG ...PJ1220	
1 240	48.8	2,34	3,50	PHG ...PJ1240	

Section	Dimensions		Designation		
	Effective length		w	h	
–	mm	in.	mm	–	
PJ	1 270	50.0	2,34	3,50	PHG ...PJ1270
	1 285	50.6	2,34	3,50	PHG ...PJ1285
	1 300	51.2	2,34	3,50	PHG ...PJ1300
	1 305	51.4	2,34	3,50	PHG ...PJ1305
	1 310	51.6	2,34	3,50	PHG ...PJ1310
	1 320	52.0	2,34	3,50	PHG ...PJ1320
	1 330	52.4	2,34	3,50	PHG ...PJ1330
	1 355	53.4	2,34	3,50	PHG ...PJ1355
	1 370	53.9	2,34	3,50	PHG ...PJ1370
	1 390	54.7	2,34	3,50	PHG ...PJ1390
	1 420	55.9	2,34	3,50	PHG ...PJ1420
	1 430	56.3	2,34	3,50	PHG ...PJ1430
	1 475	58.1	2,34	3,50	PHG ...PJ1475
	1 540	60.6	2,34	3,50	PHG ...PJ1540
	1 600	63.0	2,34	3,50	PHG ...PJ1600
PK	1 650	65.0	2,34	3,50	PHG ...PJ1650
	1 660	65.4	2,34	3,50	PHG ...PJ1660
	1 750	68.9	2,34	3,50	PHG ...PJ1750
	1 780	70.0	2,34	3,50	PHG ...PJ1780
	1 850	72.8	2,34	3,50	PHG ...PJ1850
	1 895	74.6	2,34	3,50	PHG ...PJ1895
	1 910	75.2	2,34	3,50	PHG ...PJ1910
	1 915	75.4	2,34	3,50	PHG ...PJ1915
	1 930	76.0	2,34	3,50	PHG ...PJ1930
	1 950	76.8	2,34	3,50	PHG ...PJ1950
	1 965	77.4	2,34	3,50	PHG ...PJ1965
	1 980	78.0	2,34	3,50	PHG ...PJ1980
	1 990	78.3	2,34	3,50	PHG ...PJ1990
	2 080	81.9	2,34	3,50	PHG ...PJ2080
	2 100	82.7	2,34	3,50	PHG ...PJ2100
2 155	84.8	2,34	3,50	PHG ...PJ2155	
2 210	87.0	2,34	3,50	PHG ...PJ2210	
2 330	91.7	2,34	3,50	PHG ...PJ2330	
2 480	97.6	2,34	3,50	PHG ...PJ2480	
575	22.6	3,56	5,50	PHG ...PK575	
600	23.6	3,56	5,50	PHG ...PK600	
635	25.0	3,56	5,50	PHG ...PK635	
650	25.6	3,56	5,50	PHG ...PK650	
665	26.2	3,56	5,50	PHG ...PK665	
690	27.2	3,56	5,50	PHG ...PK690	
710	28.0	3,56	5,50	PHG ...PK710	
740	29.1	3,56	5,50	PHG ...PK740	
760	29.9	3,56	5,50	PHG ...PK760	
785	30.9	3,56	5,50	PHG ...PK785	
790	31.1	3,56	5,50	PHG ...PK790	
800	31.5	3,56	5,50	PHG ...PK800	
820	32.3	3,56	5,50	PHG ...PK820	
840	33.1	3,56	5,50	PHG ...PK840	
850	33.5	3,56	5,50	PHG ...PK850	
865	34.1	3,56	5,50	PHG ...PK865	
870	34.3	3,56	5,50	PHG ...PK870	
885	34.8	3,56	5,50	PHG ...PK885	
890	35.0	3,56	5,50	PHG ...PK890	
900	35.4	3,56	5,50	PHG ...PK900	

Non-standard lengths are also available.  
To complete designation add number of ribs. For example PHG 4PJ1320.



Section	Dimensions		Designation		
	Effective length		w	h	
–	mm	in.	mm	–	
PK	910	35.8	3,56	5,50	PHG ...PK910
	925	36.4	3,56	5,50	PHG ...PK925
	940	37.0	3,56	5,50	PHG ...PK940
	945	37.2	3,56	5,50	PHG ...PK945
	950	37.4	3,56	5,50	PHG ...PK950
	960	37.8	3,56	5,50	PHG ...PK960
	970	38.2	3,56	5,50	PHG ...PK970
	980	38.6	3,56	5,50	PHG ...PK980
	990	39.0	3,56	5,50	PHG ...PK990
	1 000	39.4	3,56	5,50	PHG ...PK1000
1 010	39.8	3,56	5,50	PHG ...PK1010	
1 015	40.0	3,56	5,50	PHG ...PK1015	
1 020	40.2	3,56	5,50	PHG ...PK1020	
1 040	40.9	3,56	5,50	PHG ...PK1040	
1 050	41.3	3,56	5,50	PHG ...PK1050	
1 060	41.7	3,56	5,50	PHG ...PK1060	
1 075	42.3	3,56	5,50	PHG ...PK1075	
1 080	42.5	3,56	5,50	PHG ...PK1080	
1 090	42.9	3,56	5,50	PHG ...PK1090	
1 100	43.3	3,56	5,50	PHG ...PK1100	
1 120	44.1	3,56	5,50	PHG ...PK1120	
1 130	44.5	3,56	5,50	PHG ...PK1130	
1 140	44.9	3,56	5,50	PHG ...PK1140	
1 150	45.3	3,56	5,50	PHG ...PK1150	
1 160	45.7	3,56	5,50	PHG ...PK1160	
1 170	46.1	3,56	5,50	PHG ...PK1170	
1 180	46.5	3,56	5,50	PHG ...PK1180	
1 190	46.9	3,56	5,50	PHG ...PK1190	
1 200	47.3	3,56	5,50	PHG ...PK1200	
1 220	48.0	3,56	5,50	PHG ...PK1220	
1 240	48.8	3,56	5,50	PHG ...PK1240	
1 260	49.6	3,56	5,50	PHG ...PK1260	
1 280	50.4	3,56	5,50	PHG ...PK1280	
1 300	51.2	3,56	5,50	PHG ...PK1300	
1 320	52.0	3,56	5,50	PHG ...PK1320	
1 340	52.8	3,56	5,50	PHG ...PK1340	
1 360	53.5	3,56	5,50	PHG ...PK1360	
1 380	54.3	3,56	5,50	PHG ...PK1380	
1 400	55.1	3,56	5,50	PHG ...PK1400	
1 420	55.9	3,56	5,50	PHG ...PK1420	
1 440	56.7	3,56	5,50	PHG ...PK1440	
1 460	57.5	3,56	5,50	PHG ...PK1460	
1 480	58.3	3,56	5,50	PHG ...PK1480	
1 500	59.1	3,56	5,50	PHG ...PK1500	
1 520	59.8	3,56	5,50	PHG ...PK1520	
1 540	60.6	3,56	5,50	PHG ...PK1540	
1 560	61.4	3,56	5,50	PHG ...PK1560	
1 580	62.2	3,56	5,50	PHG ...PK1580	
1 600	63.0	3,56	5,50	PHG ...PK1600	
1 620	63.8	3,56	5,50	PHG ...PK1620	
1 640	64.6	3,56	5,50	PHG ...PK1640	
1 660	65.4	3,56	5,50	PHG ...PK1660	
1 680	66.1	3,56	5,50	PHG ...PK1680	
1 690	66.5	3,56	5,50	PHG ...PK1690	
1 710	67.3	3,56	5,50	PHG ...PK1710	

Section	Dimensions		Designation		
	Effective length		w	h	
–	mm	in.	mm	–	
PK	1 720	67.7	3,56	5,50	PHG ...PK1720
	1 770	69.7	3,56	5,50	PHG ...PK1770
	1 780	70.1	3,56	5,50	PHG ...PK1780
	1 800	70.9	3,56	5,50	PHG ...PK1800
	1 830	72.0	3,56	5,50	PHG ...PK1830
	1 865	73.4	3,56	5,50	PHG ...PK1865
	1 880	74.0	3,56	5,50	PHG ...PK1880
	1 900	74.8	3,56	5,50	PHG ...PK1900
	1 950	76.8	3,56	5,50	PHG ...PK1950
	1 980	78.0	3,56	5,50	PHG ...PK1980
2 020	79.5	3,56	5,50	PHG ...PK2020	
2 080	81.9	3,56	5,50	PHG ...PK2080	
2 100	82.7	3,56	5,50	PHG ...PK2100	
2 110	83.1	3,56	5,50	PHG ...PK2110	
2 130	83.9	3,56	5,50	PHG ...PK2130	
2 210	87.0	3,56	5,50	PHG ...PK2210	
2 230	87.8	3,56	5,50	PHG ...PK2230	
2 250	88.6	3,56	5,50	PHG ...PK2250	
2 300	90.6	3,56	5,50	PHG ...PK2300	
2 330	91.7	3,56	5,50	PHG ...PK2330	
2 420	95.3	3,56	5,50	PHG ...PK2420	
PL	1 075	42.5	4,70	7,00	PHG ...PL1075
	1 270	50.0	4,70	7,00	PHG ...PL1270
	1 333	52.5	4,70	7,00	PHG ...PL1333
	1 371	54.0	4,70	7,00	PHG ...PL1371
	1 397	55.0	4,70	7,00	PHG ...PL1397
	1 422	56.0	4,70	7,00	PHG ...PL1422
	1 562	61.5	4,70	7,00	PHG ...PL1562
	1 613	63.5	4,70	7,00	PHG ...PL1613
	1 664	65.5	4,70	7,00	PHG ...PL1664
	1 715	67.5	4,70	7,00	PHG ...PL1715
1 764	69.5	4,70	7,00	PHG ...PL1764	
1 803	71.0	4,70	7,00	PHG ...PL1803	
1 841	72.5	4,70	7,00	PHG ...PL1841	
1 943	76.5	4,70	7,00	PHG ...PL1943	
1 981	78.0	4,70	7,00	PHG ...PL1981	
2 020	79.5	4,70	7,00	PHG ...PL2020	
2 070	81.5	4,70	7,00	PHG ...PL2070	
2 096	82.5	4,70	7,00	PHG ...PL2096	
2 134	84.0	4,70	7,00	PHG ...PL2134	
2 197	86.5	4,70	7,00	PHG ...PL2197	
2 235	88.0	4,70	7,00	PHG ...PL2235	
2 324	91.5	4,70	7,00	PHG ...PL2324	
2 362	93.0	4,70	7,00	PHG ...PL2362	
2 476	97.5	4,70	7,00	PHG ...PL2476	
2 515	99.0	4,70	7,00	PHG ...PL2515	
2 705	106.5	4,70	7,00	PHG ...PL2705	
2 743	108.0	4,70	7,00	PHG ...PL2743	
2 845	112.0	4,70	7,00	PHG ...PL2845	
2 895	114.0	4,70	7,00	PHG ...PL2895	
2 921	115.0	4,70	7,00	PHG ...PL2921	
2 997	116.0	4,70	7,00	PHG ...PL2997	
3 086	121.5	4,70	7,00	PHG ...PL3086	
3 124	123.0	4,70	7,00	PHG ...PL3124	

Non-standard lengths are also available.  
To complete designation add number of ribs. For example PHG 4PJ1320.



# SKF Ribbed Belts

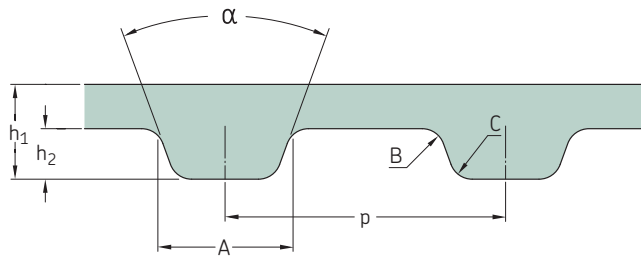
PL | PM

Section	Dimensions				Designation
	Effective length		w	h	
–	mm	in.	mm		–
PL	3 289	129.5	4,70	7,00	PHG ...PL3289
	3 327	131.0	4,70	7,00	PHG ...PL3327
	3 492	137.5	4,70	7,00	PHG ...PL3492
	3 696	145.5	4,70	7,00	PHG ...PL3696
	4 051	159.5	4,70	7,00	PHG ...PL4051
PM	2 693	106.0	9,40	13,00	PHG ...PM2693
	2 832	111.5	9,40	13,00	PHG ...PM2832
	2 921	115.0	9,40	13,00	PHG ...PM2921
	3 010	118.5	9,40	13,00	PHG ...PM3010
	3 124	123.0	9,40	13,00	PHG ...PM3124
	3 327	131.0	9,40	13,00	PHG ...PM3327
	3 531	139.0	9,40	13,00	PHG ...PM3531
	3 734	147.0	9,40	13,00	PHG ...PM3734
	4 089	161.0	9,40	13,00	PHG ...PM4089
	4 191	165.0	9,40	13,00	PHG ...PM4191
	4 470	176.0	9,40	13,00	PHG ...PM4470
	4 648	183.0	9,40	13,00	PHG ...PM4648

Non-standard lengths are also available.  
To complete designation add number of ribs. For example PHG 4PJ1320.

# SKF Classical Timing Belts

MXL



Section	Number of teeth	Dimensions		h <sub>1</sub>	h <sub>2</sub>	A	B	p	C	α	Designation
		Pitch length									
		in.	mm							°	
MXL	26	2.08	52.83	1.14	0.51	1.14	0.13	2.032	0.13	40	PHG 208-MXL-...
	27	2.16	54.86	1.14	0.51	1.14	0.13	2.032	0.13	40	PHG 216-MXL-...
	33	2.64	67.06	1.14	0.51	1.14	0.13	2.032	0.13	40	PHG 264-MXL-...
	35	2.80	71.12	1.14	0.51	1.14	0.13	2.032	0.13	40	PHG 280-MXL-...
	40	3.20	81.28	1.14	0.51	1.14	0.13	2.032	0.13	40	PHG 320-MXL-...
	43	3.44	87.38	1.14	0.51	1.14	0.13	2.032	0.13	40	PHG 344-MXL-...
	45	3.60	91.44	1.14	0.51	1.14	0.13	2.032	0.13	40	PHG 360-MXL-...
	49	3.92	99.57	1.14	0.51	1.14	0.13	2.032	0.13	40	PHG 392-MXL-...
	50	4.00	101.60	1.14	0.51	1.14	0.13	2.032	0.13	40	PHG 400-MXL-...
	51	4.08	103.63	1.14	0.51	1.14	0.13	2.032	0.13	40	PHG 408-MXL-...
	52	4.16	105.66	1.14	0.51	1.14	0.13	2.032	0.13	40	PHG 416-MXL-...
	53	4.24	107.70	1.14	0.51	1.14	0.13	2.032	0.13	40	PHG 424-MXL-...
	54	4.32	109.73	1.14	0.51	1.14	0.13	2.032	0.13	40	PHG 432-MXL-...
	55	4.40	111.76	1.14	0.51	1.14	0.13	2.032	0.13	40	PHG 440-MXL-...
	56	4.48	113.79	1.14	0.51	1.14	0.13	2.032	0.13	40	PHG 448-MXL-...
	58	4.64	117.86	1.14	0.51	1.14	0.13	2.032	0.13	40	PHG 464-MXL-...
	59	4.72	119.89	1.14	0.51	1.14	0.13	2.032	0.13	40	PHG 472-MXL-...
	60	4.80	121.92	1.14	0.51	1.14	0.13	2.032	0.13	40	PHG 480-MXL-...
	61	4.88	123.95	1.14	0.51	1.14	0.13	2.032	0.13	40	PHG 488-MXL-...
	62	4.96	125.98	1.14	0.51	1.14	0.13	2.032	0.13	40	PHG 496-MXL-...
	63	5.04	128.02	1.14	0.51	1.14	0.13	2.032	0.13	40	PHG 504-MXL-...
	64	5.12	130.05	1.14	0.51	1.14	0.13	2.032	0.13	40	PHG 512-MXL-...
	65	5.20	132.08	1.14	0.51	1.14	0.13	2.032	0.13	40	PHG 520-MXL-...
	66	5.28	134.11	1.14	0.51	1.14	0.13	2.032	0.13	40	PHG 528-MXL-...
	67	5.36	136.14	1.14	0.51	1.14	0.13	2.032	0.13	40	PHG 536-MXL-...
	68	5.44	138.18	1.14	0.51	1.14	0.13	2.032	0.13	40	PHG 544-MXL-...
	70	5.60	142.24	1.14	0.51	1.14	0.13	2.032	0.13	40	PHG 560-MXL-...
	71	5.68	144.27	1.14	0.51	1.14	0.13	2.032	0.13	40	PHG 568-MXL-...
	72	5.76	146.30	1.14	0.51	1.14	0.13	2.032	0.13	40	PHG 576-MXL-...
	73	5.84	148.34	1.14	0.51	1.14	0.13	2.032	0.13	40	PHG 584-MXL-...
	75	6.00	152.40	1.14	0.51	1.14	0.13	2.032	0.13	40	PHG 600-MXL-...
	76	6.08	154.43	1.14	0.51	1.14	0.13	2.032	0.13	40	PHG 608-MXL-...
	77	6.16	156.46	1.14	0.51	1.14	0.13	2.032	0.13	40	PHG 616-MXL-...
	78	6.24	158.50	1.14	0.51	1.14	0.13	2.032	0.13	40	PHG 624-MXL-...
	79	6.32	160.53	1.14	0.51	1.14	0.13	2.032	0.13	40	PHG 632-MXL-...
	80	6.40	162.56	1.14	0.51	1.14	0.13	2.032	0.13	40	PHG 640-MXL-...
	82	6.56	166.62	1.14	0.51	1.14	0.13	2.032	0.13	40	PHG 656-MXL-...
	83	6.64	168.66	1.14	0.51	1.14	0.13	2.032	0.13	40	PHG 664-MXL-...
	85	6.80	172.72	1.14	0.51	1.14	0.13	2.032	0.13	40	PHG 680-MXL-...
	87	6.96	176.78	1.14	0.51	1.14	0.13	2.032	0.13	40	PHG 696-MXL-...
	88	7.04	178.82	1.14	0.51	1.14	0.13	2.032	0.13	40	PHG 704-MXL-...
	89	7.12	180.85	1.14	0.51	1.14	0.13	2.032	0.13	40	PHG 712-MXL-...
	90	7.20	182.88	1.14	0.51	1.14	0.13	2.032	0.13	40	PHG 720-MXL-...
	92	7.36	186.94	1.14	0.51	1.14	0.13	2.032	0.13	40	PHG 736-MXL-...
	94	7.52	191.01	1.14	0.51	1.14	0.13	2.032	0.13	40	PHG 752-MXL-...
	95	7.60	193.04	1.14	0.51	1.14	0.13	2.032	0.13	40	PHG 760-MXL-...
	97	7.76	197.10	1.14	0.51	1.14	0.13	2.032	0.13	40	PHG 776-MXL-...
	98	7.84	199.14	1.14	0.51	1.14	0.13	2.032	0.13	40	PHG 784-MXL-...
	100	8.00	203.20	1.14	0.51	1.14	0.13	2.032	0.13	40	PHG 800-MXL-...
	102	8.16	207.26	1.14	0.51	1.14	0.13	2.032	0.13	40	PHG 816-MXL-...
	103	8.24	209.30	1.14	0.51	1.14	0.13	2.032	0.13	40	PHG 824-MXL-...
	105	8.40	213.36	1.14	0.51	1.14	0.13	2.032	0.13	40	PHG 840-MXL-...
	106	8.48	215.39	1.14	0.51	1.14	0.13	2.032	0.13	40	PHG 848-MXL-...
	108	8.64	219.46	1.14	0.51	1.14	0.13	2.032	0.13	40	PHG 864-MXL-...
	109	8.72	221.49	1.14	0.51	1.14	0.13	2.032	0.13	40	PHG 872-MXL-...

Non-standard lengths may also be available.

To complete designation, add three digits for belt width in 1/100ths of an inch; e.g. for a 1/4" width add 025 or for a 3/8" width add 037.

Full sleeves are available in various widths. Please contact your SKF Authorized Distributor.

# SKF Classical Timing Belts

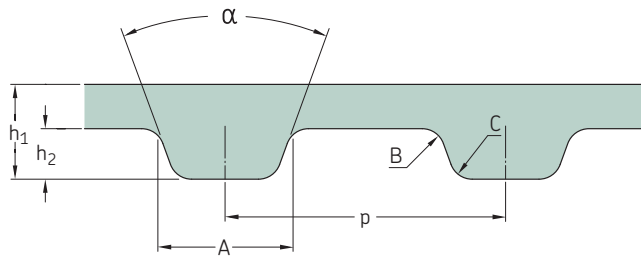
MXL

Section	Number of teeth	Dimensions									Designation
		Pitch length									
		in.	mm	$h_1$	$h_2$	A	B	p	C	$\alpha$	
										$^{\circ}$	
MXL	110	8.80	223,52	1,14	0,51	1,14	0,13	2,032	0,13	40	PHG 880-MXL-...
	112	8.96	227,58	1,14	0,51	1,14	0,13	2,032	0,13	40	PHG 896-MXL-...
	113	9.04	229,62	1,14	0,51	1,14	0,13	2,032	0,13	40	PHG 904-MXL-...
	114	9.12	231,65	1,14	0,51	1,14	0,13	2,032	0,13	40	PHG 912-MXL-...
	115	9.20	233,68	1,14	0,51	1,14	0,13	2,032	0,13	40	PHG 920-MXL-...
	116	9.28	235,71	1,14	0,51	1,14	0,13	2,032	0,13	40	PHG 928-MXL-...
	118	9.44	239,78	1,14	0,51	1,14	0,13	2,032	0,13	40	PHG 944-MXL-...
	120	9.60	243,84	1,14	0,51	1,14	0,13	2,032	0,13	40	PHG 960-MXL-...
	122	9.76	247,90	1,14	0,51	1,14	0,13	2,032	0,13	40	PHG 976-MXL-...
	123	9.84	249,94	1,14	0,51	1,14	0,13	2,032	0,13	40	PHG 984-MXL-...
	125	10.00	254,00	1,14	0,51	1,14	0,13	2,032	0,13	40	PHG 1000-MXL-...
	126	10.08	256,03	1,14	0,51	1,14	0,13	2,032	0,13	40	PHG 1008-MXL-...
	132	10.56	268,22	1,14	0,51	1,14	0,13	2,032	0,13	40	PHG 1056-MXL-...
	133	10.64	270,26	1,14	0,51	1,14	0,13	2,032	0,13	40	PHG 1064-MXL-...
	135	10.80	274,32	1,14	0,51	1,14	0,13	2,032	0,13	40	PHG 1080-MXL-...
	136	10.88	276,35	1,14	0,51	1,14	0,13	2,032	0,13	40	PHG 1088-MXL-...
	137	10.96	278,38	1,14	0,51	1,14	0,13	2,032	0,13	40	PHG 1096-MXL-...
	138	11.04	280,42	1,14	0,51	1,14	0,13	2,032	0,13	40	PHG 1104-MXL-...
	139	11.12	282,45	1,14	0,51	1,14	0,13	2,032	0,13	40	PHG 1112-MXL-...
	140	11.20	284,48	1,14	0,51	1,14	0,13	2,032	0,13	40	PHG 1120-MXL-...
	142	11.36	288,54	1,14	0,51	1,14	0,13	2,032	0,13	40	PHG 1136-MXL-...
	144	11.52	292,61	1,14	0,51	1,14	0,13	2,032	0,13	40	PHG 1152-MXL-...
	145	11.60	294,64	1,14	0,51	1,14	0,13	2,032	0,13	40	PHG 1160-MXL-...
	148	11.84	300,74	1,14	0,51	1,14	0,13	2,032	0,13	40	PHG 1184-MXL-...
	149	11.92	302,77	1,14	0,51	1,14	0,13	2,032	0,13	40	PHG 1192-MXL-...
	150	12.00	304,80	1,14	0,51	1,14	0,13	2,032	0,13	40	PHG 1200-MXL-...
	152	12.16	308,86	1,14	0,51	1,14	0,13	2,032	0,13	40	PHG 1216-MXL-...
	153	12.24	310,90	1,14	0,51	1,14	0,13	2,032	0,13	40	PHG 1224-MXL-...
	154	12.32	312,93	1,14	0,51	1,14	0,13	2,032	0,13	40	PHG 1232-MXL-...
	155	12.40	314,96	1,14	0,51	1,14	0,13	2,032	0,13	40	PHG 1240-MXL-...
	156	12.48	316,99	1,14	0,51	1,14	0,13	2,032	0,13	40	PHG 1248-MXL-...
	158	12.64	321,06	1,14	0,51	1,14	0,13	2,032	0,13	40	PHG 1264-MXL-...
	160	12.80	325,12	1,14	0,51	1,14	0,13	2,032	0,13	40	PHG 1280-MXL-...
	162	12.96	329,18	1,14	0,51	1,14	0,13	2,032	0,13	40	PHG 1296-MXL-...
	165	13.20	335,28	1,14	0,51	1,14	0,13	2,032	0,13	40	PHG 1320-MXL-...
	168	13.44	341,38	1,14	0,51	1,14	0,13	2,032	0,13	40	PHG 1344-MXL-...
	170	13.60	345,44	1,14	0,51	1,14	0,13	2,032	0,13	40	PHG 1360-MXL-...
	175	14.00	355,60	1,14	0,51	1,14	0,13	2,032	0,13	40	PHG 1400-MXL-...
	180	14.40	365,76	1,14	0,51	1,14	0,13	2,032	0,13	40	PHG 1440-MXL-...
	184	14.72	373,89	1,14	0,51	1,14	0,13	2,032	0,13	40	PHG 1472-MXL-...
	190	15.20	386,08	1,14	0,51	1,14	0,13	2,032	0,13	40	PHG 1520-MXL-...
	192	15.36	390,14	1,14	0,51	1,14	0,13	2,032	0,13	40	PHG 1536-MXL-...
	194	15.52	394,21	1,14	0,51	1,14	0,13	2,032	0,13	40	PHG 1552-MXL-...
	195	15.60	396,24	1,14	0,51	1,14	0,13	2,032	0,13	40	PHG 1560-MXL-...
200	16.00	406,40	1,14	0,51	1,14	0,13	2,032	0,13	40	PHG 1600-MXL-...	
206	16.48	418,59	1,14	0,51	1,14	0,13	2,032	0,13	40	PHG 1648-MXL-...	
210	16.80	426,72	1,14	0,51	1,14	0,13	2,032	0,13	40	PHG 1680-MXL-...	
212	16.96	430,78	1,14	0,51	1,14	0,13	2,032	0,13	40	PHG 1696-MXL-...	
221	17.68	449,07	1,14	0,51	1,14	0,13	2,032	0,13	40	PHG 1768-MXL-...	
225	18.00	457,20	1,14	0,51	1,14	0,13	2,032	0,13	40	PHG 1800-MXL-...	
228	18.20	462,28	1,14	0,51	1,14	0,13	2,032	0,13	40	PHG 1820-MXL-...	
232	18.56	471,42	1,14	0,51	1,14	0,13	2,032	0,13	40	PHG 1856-MXL-...	
236	18.88	479,55	1,14	0,51	1,14	0,13	2,032	0,13	40	PHG 1888-MXL-...	
239	19.12	485,65	1,14	0,51	1,14	0,13	2,032	0,13	40	PHG 1912-MXL-...	
240	19.20	487,68	1,14	0,51	1,14	0,13	2,032	0,13	40	PHG 1920-MXL-...	
249	19.92	505,97	1,14	0,51	1,14	0,13	2,032	0,13	40	PHG 1992-MXL-...	
250	20.00	508,00	1,14	0,51	1,14	0,13	2,032	0,13	40	PHG 2000-MXL-...	
256	20.48	520,19	1,14	0,51	1,14	0,13	2,032	0,13	40	PHG 2048-MXL-...	
265	21.20	538,48	1,14	0,51	1,14	0,13	2,032	0,13	40	PHG 2120-MXL-...	
273	21.84	554,74	1,14	0,51	1,14	0,13	2,032	0,13	40	PHG 2184-MXL-...	
276	22.08	560,83	1,14	0,51	1,14	0,13	2,032	0,13	40	PHG 2208-MXL-...	
280	22.40	568,96	1,14	0,51	1,14	0,13	2,032	0,13	40	PHG 2240-MXL-...	
290	23.20	589,28	1,14	0,51	1,14	0,13	2,032	0,13	40	PHG 2320-MXL-...	
295	23.60	599,44	1,14	0,51	1,14	0,13	2,032	0,13	40	PHG 2360-MXL-...	
298	23.84	605,54	1,14	0,51	1,14	0,13	2,032	0,13	40	PHG 2384-MXL-...	
300	24.00	609,60	1,14	0,51	1,14	0,13	2,032	0,13	40	PHG 2400-MXL-...	
305	24.40	619,76	1,14	0,51	1,14	0,13	2,032	0,13	40	PHG 2440-MXL-...	
312	24.96	633,98	1,14	0,51	1,14	0,13	2,032	0,13	40	PHG 2496-MXL-...	
318	25.44	646,18	1,14	0,51	1,14	0,13	2,032	0,13	40	PHG 2544-MXL-...	
320	25.60	650,24	1,14	0,51	1,14	0,13	2,032	0,13	40	PHG 2560-MXL-...	
328	26.24	666,50	1,14	0,51	1,14	0,13	2,032	0,13	40	PHG 2624-MXL-...	
336	26.88	682,75	1,14	0,51	1,14	0,13	2,032	0,13	40	PHG 2688-MXL-...	
347	27.76	705,10	1,14	0,51	1,14	0,13	2,032	0,13	40	PHG 2776-MXL-...	
362	28.96	735,58	1,14	0,51	1,14	0,13	2,032	0,13	40	PHG 2896-MXL-...	
378	30.24	768,10	1,14	0,51	1,14	0,13	2,032	0,13	40	PHG 3024-MXL-...	
400	32.00	812,80	1,14	0,51	1,14	0,13	2,032	0,13	40	PHG 3200-MXL-...	

Non-standard lengths may also be available.

To complete designation, add three digits for belt width in 1/100ths of an inch; e.g. for a 1/4" width add 025 or for a 3/8" width add 037.

Full sleeves are available in various widths. Please contact your SKF Authorized Distributor.



Section	Number of teeth	Dimensions		h <sub>1</sub>	h <sub>2</sub>	A	B	p	C	α	Designation	
		Pitch length										
		in.	mm							°		
MXL	408	32.64	829,06	1,14	0,51	1,14	0,13	2,032	0,13	40	PHG 3264-MXL-...	
	448	35.84	910,34	1,14	0,51	1,14	0,13	2,032	0,13	40	PHG 3584-MXL-...	
	463	37.04	940,82	1,14	0,51	1,14	0,13	2,032	0,13	40	PHG 3704-MXL-...	
	472	37.76	959,10	1,14	0,51	1,14	0,13	2,032	0,13	40	PHG 3776-MXL-...	
	504	40.32	1 024,13	1,14	0,51	1,14	0,13	2,032	0,13	40	PHG 4032-MXL-...	
	522	41.76	1 060,70	1,14	0,51	1,14	0,13	2,032	0,13	40	PHG 4176-MXL-...	
	531	42.48	1 078,99	1,14	0,51	1,14	0,13	2,032	0,13	40	PHG 4248-MXL-...	
	546	43.68	1 109,47	1,14	0,51	1,14	0,13	2,032	0,13	40	PHG 4368-MXL-...	
	548	43.84	1 113,54	1,14	0,51	1,14	0,13	2,032	0,13	40	PHG 4384-MXL-...	
	570	45.60	1 158,24	1,14	0,51	1,14	0,13	2,032	0,13	40	PHG 4560-MXL-...	
	583	46.64	1 184,66	1,14	0,51	1,14	0,13	2,032	0,13	40	PHG 4664-MXL-...	
	600	48.00	1 219,20	1,14	0,51	1,14	0,13	2,032	0,13	40	PHG 4800-MXL-...	
	648	51.84	1 316,74	1,14	0,51	1,14	0,13	2,032	0,13	40	PHG 5184-MXL-...	
	680	54.40	1 381,76	1,14	0,51	1,14	0,13	2,032	0,13	40	PHG 5440-MXL-...	
	750	60.00	1 524,00	1,14	0,51	1,14	0,13	2,032	0,13	40	PHG 6000-MXL-...	
	760	60.80	1 544,32	1,14	0,51	1,14	0,13	2,032	0,13	40	PHG 6080-MXL-...	
	800	64.00	1 625,60	1,14	0,51	1,14	0,13	2,032	0,13	40	PHG 6400-MXL-...	
	955	76.40	1 940,56	1,14	0,51	1,14	0,13	2,032	0,13	40	PHG 7640-MXL-...	
	957	76.56	1 944,62	1,14	0,51	1,14	0,13	2,032	0,13	40	PHG 7656-MXL-...	
	1 012	80.96	2 056,38	1,14	0,51	1,14	0,13	2,032	0,13	40	PHG 8096-MXL-...	
	1 030	82.40	2 092,96	1,14	0,51	1,14	0,13	2,032	0,13	40	PHG 8240-MXL-...	
	1 060	84.80	2 153,92	1,14	0,51	1,14	0,13	2,032	0,13	40	PHG 8480-MXL-...	
	1 137	90.96	2 310,38	1,14	0,51	1,14	0,13	2,032	0,13	40	PHG 9096-MXL-...	
	1 250	100.00	2 540,00	1,14	0,51	1,14	0,13	2,032	0,13	40	PHG 10000-MXL-...	
	1 426	114.12	2 898,65	1,14	0,51	1,14	0,13	2,032	0,13	40	PHG 11412-MXL-...	
	1 463	117.00	2 971,80	1,14	0,51	1,14	0,13	2,032	0,13	40	PHG 11700-MXL-...	
	1 516	121.32	3 081,53	1,14	0,51	1,14	0,13	2,032	0,13	40	PHG 12132-MXL-...	
	1 806	145.52	3 696,21	1,14	0,51	1,14	0,13	2,032	0,13	40	PHG 14552-MXL-...	
	1 875	150.00	3 810,00	1,14	0,51	1,14	0,13	2,032	0,13	40	PHG 15000-MXL-...	
	2 044	163.55	4 154,17	1,14	0,51	1,14	0,13	2,032	0,13	40	PHG 16355-MXL-...	
	XL	22	4.40	111,76	2,30	1,27	2,57	0,38	5,080	0,38	50	PHG 44-XL-...
		28	5.60	142,24	2,30	1,27	2,57	0,38	5,080	0,38	50	PHG 56-XL-...
30		6.00	152,40	2,30	1,27	2,57	0,38	5,080	0,38	50	PHG 60-XL-...	
35		7.00	177,80	2,30	1,27	2,57	0,38	5,080	0,38	50	PHG 70-XL-...	
36		7.20	182,88	2,30	1,27	2,57	0,38	5,080	0,38	50	PHG 72-XL-...	
37		7.40	187,96	2,30	1,27	2,57	0,38	5,080	0,38	50	PHG 74-XL-...	
38		7.60	193,04	2,30	1,27	2,57	0,38	5,080	0,38	50	PHG 76-XL-...	
40		8.00	203,20	2,30	1,27	2,57	0,38	5,080	0,38	50	PHG 80-XL-...	
41		8.20	208,28	2,30	1,27	2,57	0,38	5,080	0,38	50	PHG 82-XL-...	
42		8.40	213,36	2,30	1,27	2,57	0,38	5,080	0,38	50	PHG 84-XL-...	
43		8.60	218,44	2,30	1,27	2,57	0,38	5,080	0,38	50	PHG 86-XL-...	
44		8.80	223,52	2,30	1,27	2,57	0,38	5,080	0,38	50	PHG 88-XL-...	
45		9.00	228,60	2,30	1,27	2,57	0,38	5,080	0,38	50	PHG 90-XL-...	
46		9.20	233,68	2,30	1,27	2,57	0,38	5,080	0,38	50	PHG 92-XL-...	
47		9.40	238,76	2,30	1,27	2,57	0,38	5,080	0,38	50	PHG 94-XL-...	
48		9.60	243,84	2,30	1,27	2,57	0,38	5,080	0,38	50	PHG 96-XL-...	
49		9.80	248,92	2,30	1,27	2,57	0,38	5,080	0,38	50	PHG 98-XL-...	
50		10.00	254,00	2,30	1,27	2,57	0,38	5,080	0,38	50	PHG 100-XL-...	
51		10.20	259,08	2,30	1,27	2,57	0,38	5,080	0,38	50	PHG 102-XL-...	
52		10.40	264,16	2,30	1,27	2,57	0,38	5,080	0,38	50	PHG 104-XL-...	
53		10.60	269,24	2,30	1,27	2,57	0,38	5,080	0,38	50	PHG 106-XL-...	
54		10.80	274,32	2,30	1,27	2,57	0,38	5,080	0,38	50	PHG 108-XL-...	
55		11.00	279,40	2,30	1,27	2,57	0,38	5,080	0,38	50	PHG 110-XL-...	
56		11.20	284,48	2,30	1,27	2,57	0,38	5,080	0,38	50	PHG 112-XL-...	
57		11.40	289,56	2,30	1,27	2,57	0,38	5,080	0,38	50	PHG 114-XL-...	

Non-standard lengths may also be available.  
 To complete designation, add three digits for belt width in 1/100ths of an inch; e.g. for a 1/4" width add 025 or for a 3/8" width add 037.  
 Full sleeves are available in various widths. Please contact your SKF Authorized Distributor.

# SKF Classical Timing Belts

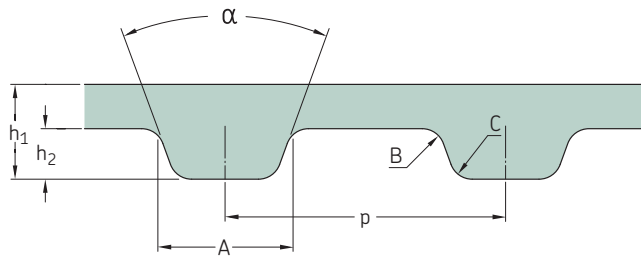
XL

Section	Number of teeth	Dimensions		h <sub>1</sub>	h <sub>2</sub>	A	B	p	C	α	Designation
		Pitch length									
-	-	in.	mm	-	-	-	-	-	-	°	-
XL	58	11.60	294,64	2,30	1,27	2,57	0,38	5,080	0,38	50	PHG 116-XL-...
	59	11.80	299,72	2,30	1,27	2,57	0,38	5,080	0,38	50	PHG 118-XL-...
	60	12.00	304,80	2,30	1,27	2,57	0,38	5,080	0,38	50	PHG 120-XL-...
	61	12.20	309,88	2,30	1,27	2,57	0,38	5,080	0,38	50	PHG 122-XL-...
	62	12.40	314,96	2,30	1,27	2,57	0,38	5,080	0,38	50	PHG 124-XL-...
	63	12.60	320,04	2,30	1,27	2,57	0,38	5,080	0,38	50	PHG 126-XL-...
	64	12.80	325,12	2,30	1,27	2,57	0,38	5,080	0,38	50	PHG 128-XL-...
	65	13.00	330,20	2,30	1,27	2,57	0,38	5,080	0,38	50	PHG 130-XL-...
	66	13.20	335,28	2,30	1,27	2,57	0,38	5,080	0,38	50	PHG 132-XL-...
	67	13.40	340,36	2,30	1,27	2,57	0,38	5,080	0,38	50	PHG 134-XL-...
	68	13.60	345,44	2,30	1,27	2,57	0,38	5,080	0,38	50	PHG 136-XL-...
	70	14.00	355,60	2,30	1,27	2,57	0,38	5,080	0,38	50	PHG 140-XL-...
	71	14.20	360,68	2,30	1,27	2,57	0,38	5,080	0,38	50	PHG 142-XL-...
	72	14.40	365,76	2,30	1,27	2,57	0,38	5,080	0,38	50	PHG 144-XL-...
	73	14.60	370,84	2,30	1,27	2,57	0,38	5,080	0,38	50	PHG 146-XL-...
	74	14.80	375,92	2,30	1,27	2,57	0,38	5,080	0,38	50	PHG 148-XL-...
	75	15.00	381,00	2,30	1,27	2,57	0,38	5,080	0,38	50	PHG 150-XL-...
	76	15.20	386,08	2,30	1,27	2,57	0,38	5,080	0,38	50	PHG 152-XL-...
	77	15.40	391,16	2,30	1,27	2,57	0,38	5,080	0,38	50	PHG 154-XL-...
	78	15.60	396,24	2,30	1,27	2,57	0,38	5,080	0,38	50	PHG 156-XL-...
	80	16.00	406,40	2,30	1,27	2,57	0,38	5,080	0,38	50	PHG 160-XL-...
	81	16.20	411,48	2,30	1,27	2,57	0,38	5,080	0,38	50	PHG 162-XL-...
	82	16.40	416,56	2,30	1,27	2,57	0,38	5,080	0,38	50	PHG 164-XL-...
	83	16.60	421,64	2,30	1,27	2,57	0,38	5,080	0,38	50	PHG 166-XL-...
	84	16.80	426,72	2,30	1,27	2,57	0,38	5,080	0,38	50	PHG 168-XL-...
	85	17.00	431,80	2,30	1,27	2,57	0,38	5,080	0,38	50	PHG 170-XL-...
	86	17.20	436,88	2,30	1,27	2,57	0,38	5,080	0,38	50	PHG 172-XL-...
	88	17.60	447,04	2,30	1,27	2,57	0,38	5,080	0,38	50	PHG 176-XL-...
	89	17.80	452,12	2,30	1,27	2,57	0,38	5,080	0,38	50	PHG 178-XL-...
	90	18.00	457,20	2,30	1,27	2,57	0,38	5,080	0,38	50	PHG 180-XL-...
	91	18.20	462,28	2,30	1,27	2,57	0,38	5,080	0,38	50	PHG 182-XL-...
	92	18.40	467,36	2,30	1,27	2,57	0,38	5,080	0,38	50	PHG 184-XL-...
	93	18.60	472,44	2,30	1,27	2,57	0,38	5,080	0,38	50	PHG 186-XL-...
	94	18.80	477,52	2,30	1,27	2,57	0,38	5,080	0,38	50	PHG 188-XL-...
	95	19.00	482,60	2,30	1,27	2,57	0,38	5,080	0,38	50	PHG 190-XL-...
	96	19.20	487,68	2,30	1,27	2,57	0,38	5,080	0,38	50	PHG 192-XL-...
	97	19.40	492,76	2,30	1,27	2,57	0,38	5,080	0,38	50	PHG 194-XL-...
	98	19.60	497,84	2,30	1,27	2,57	0,38	5,080	0,38	50	PHG 196-XL-...
	99	19.80	502,92	2,30	1,27	2,57	0,38	5,080	0,38	50	PHG 198-XL-...
	100	20.00	508,00	2,30	1,27	2,57	0,38	5,080	0,38	50	PHG 200-XL-...
	101	20.20	513,08	2,30	1,27	2,57	0,38	5,080	0,38	50	PHG 202-XL-...
	103	20.60	523,24	2,30	1,27	2,57	0,38	5,080	0,38	50	PHG 206-XL-...
	104	20.80	528,32	2,30	1,27	2,57	0,38	5,080	0,38	50	PHG 208-XL-...
	105	21.00	533,40	2,30	1,27	2,57	0,38	5,080	0,38	50	PHG 210-XL-...
	106	21.20	538,48	2,30	1,27	2,57	0,38	5,080	0,38	50	PHG 212-XL-...
	107	21.40	543,56	2,30	1,27	2,57	0,38	5,080	0,38	50	PHG 214-XL-...
	109	21.80	553,72	2,30	1,27	2,57	0,38	5,080	0,38	50	PHG 218-XL-...
	110	22.00	558,80	2,30	1,27	2,57	0,38	5,080	0,38	50	PHG 220-XL-...
	113	22.60	574,04	2,30	1,27	2,57	0,38	5,080	0,38	50	PHG 226-XL-...
	114	22.80	579,12	2,30	1,27	2,57	0,38	5,080	0,38	50	PHG 228-XL-...
	115	23.00	584,20	2,30	1,27	2,57	0,38	5,080	0,38	50	PHG 230-XL-...
	117	23.40	594,36	2,30	1,27	2,57	0,38	5,080	0,38	50	PHG 234-XL-...
	118	23.60	599,44	2,30	1,27	2,57	0,38	5,080	0,38	50	PHG 236-XL-...
	120	24.00	609,60	2,30	1,27	2,57	0,38	5,080	0,38	50	PHG 240-XL-...
	124	24.80	629,92	2,30	1,27	2,57	0,38	5,080	0,38	50	PHG 248-XL-...
	125	25.00	635,00	2,30	1,27	2,57	0,38	5,080	0,38	50	PHG 250-XL-...
	128	25.60	650,24	2,30	1,27	2,57	0,38	5,080	0,38	50	PHG 256-XL-...
	130	26.00	660,40	2,30	1,27	2,57	0,38	5,080	0,38	50	PHG 260-XL-...
	132	26.40	670,56	2,30	1,27	2,57	0,38	5,080	0,38	50	PHG 264-XL-...
	135	27.00	685,80	2,30	1,27	2,57	0,38	5,080	0,38	50	PHG 270-XL-...
	137	27.40	695,96	2,30	1,27	2,57	0,38	5,080	0,38	50	PHG 274-XL-...
	138	27.60	701,04	2,30	1,27	2,57	0,38	5,080	0,38	50	PHG 276-XL-...
	140	28.00	711,20	2,30	1,27	2,57	0,38	5,080	0,38	50	PHG 280-XL-...
	141	28.20	716,28	2,30	1,27	2,57	0,38	5,080	0,38	50	PHG 282-XL-...
	143	28.60	726,44	2,30	1,27	2,57	0,38	5,080	0,38	50	PHG 286-XL-...
	145	29.00	736,60	2,30	1,27	2,57	0,38	5,080	0,38	50	PHG 290-XL-...
	150	30.00	762,00	2,30	1,27	2,57	0,38	5,080	0,38	50	PHG 300-XL-...
	152	30.40	772,16	2,30	1,27	2,57	0,38	5,080	0,38	50	PHG 304-XL-...
	153	30.60	777,24	2,30	1,27	2,57	0,38	5,080	0,38	50	PHG 306-XL-...
	155	31.00	787,40	2,30	1,27	2,57	0,38	5,080	0,38	50	PHG 310-XL-...
	158	31.60	802,64	2,30	1,27	2,57	0,38	5,080	0,38	50	PHG 316-XL-...
	160	32.00	812,80	2,30	1,27	2,57	0,38	5,080	0,38	50	PHG 320-XL-...
	161	32.20	817,88	2,30	1,27	2,57	0,38	5,080	0,38	50	PHG 322-XL-...
	163	32.60	828,04	2,30	1,27	2,57	0,38	5,080	0,38	50	PHG 326-XL-...
	165	33.00	838,20	2,30	1,27	2,57	0,38	5,080	0,38	50	PHG 330-XL-...
	170	34.00	863,60	2,30	1,27	2,57	0,38	5,080	0,38	50	PHG 340-XL-...

Non-standard lengths may also be available.

To complete designation, add three digits for belt width in 1/100ths of an inch; e.g. for a 1/4" width add 025 or for a 3/8" width add 037.

Full sleeves are available in various widths. Please contact your SKF Authorized Distributor.



Section	Number of teeth	Dimensions		h <sub>1</sub>	h <sub>2</sub>	A	B	p	C	α	Designation
		Pitch length									
-	-	in.	mm							°	-
XL	172	34.40	873.76	2,30	1,27	2,57	0,38	5,080	0,38	50	PHG 344-XL-...
	174	34.80	883.92	2,30	1,27	2,57	0,38	5,080	0,38	50	PHG 348-XL-...
	176	35.20	894.08	2,30	1,27	2,57	0,38	5,080	0,38	50	PHG 352-XL-...
	178	35.60	904.24	2,30	1,27	2,57	0,38	5,080	0,38	50	PHG 356-XL-...
	180	36.00	914.40	2,30	1,27	2,57	0,38	5,080	0,38	50	PHG 360-XL-...
	181	36.20	919.48	2,30	1,27	2,57	0,38	5,080	0,38	50	PHG 362-XL-...
	182	36.40	924.56	2,30	1,27	2,57	0,38	5,080	0,38	50	PHG 364-XL-...
	186	37.20	944.88	2,30	1,27	2,57	0,38	5,080	0,38	50	PHG 372-XL-...
	188	37.60	955.04	2,30	1,27	2,57	0,38	5,080	0,38	50	PHG 376-XL-...
	190	38.00	965.20	2,30	1,27	2,57	0,38	5,080	0,38	50	PHG 380-XL-...
	192	38.40	975.36	2,30	1,27	2,57	0,38	5,080	0,38	50	PHG 384-XL-...
	195	39.00	990.60	2,30	1,27	2,57	0,38	5,080	0,38	50	PHG 390-XL-...
	196	39.20	995.68	2,30	1,27	2,57	0,38	5,080	0,38	50	PHG 392-XL-...
	200	40.00	1 016.00	2,30	1,27	2,57	0,38	5,080	0,38	50	PHG 400-XL-...
	206	41.20	1 046.48	2,30	1,27	2,57	0,38	5,080	0,38	50	PHG 412-XL-...
	207	41.40	1 051.56	2,30	1,27	2,57	0,38	5,080	0,38	50	PHG 414-XL-...
	212	42.40	1 076.96	2,30	1,27	2,57	0,38	5,080	0,38	50	PHG 424-XL-...
	215	43.00	1 092.20	2,30	1,27	2,57	0,38	5,080	0,38	50	PHG 430-XL-...
	216	43.20	1 097.28	2,30	1,27	2,57	0,38	5,080	0,38	50	PHG 432-XL-...
	217	43.40	1 102.36	2,30	1,27	2,57	0,38	5,080	0,38	50	PHG 434-XL-...
	225	45.00	1 143.00	2,30	1,27	2,57	0,38	5,080	0,38	50	PHG 450-XL-...
	230	46.00	1 168.40	2,30	1,27	2,57	0,38	5,080	0,38	50	PHG 460-XL-...
	240	48.00	1 219.20	2,30	1,27	2,57	0,38	5,080	0,38	50	PHG 480-XL-...
	245	49.00	1 244.60	2,30	1,27	2,57	0,38	5,080	0,38	50	PHG 490-XL-...
	246	49.20	1 249.68	2,30	1,27	2,57	0,38	5,080	0,38	50	PHG 492-XL-...
	257	51.40	1 305.56	2,30	1,27	2,57	0,38	5,080	0,38	50	PHG 514-XL-...
	280	56.00	1 422.40	2,30	1,27	2,57	0,38	5,080	0,38	50	PHG 560-XL-...
	282	56.40	1 432.56	2,30	1,27	2,57	0,38	5,080	0,38	50	PHG 564-XL-...
	290	58.00	1 473.20	2,30	1,27	2,57	0,38	5,080	0,38	50	PHG 580-XL-...
	306	61.20	1 554.48	2,30	1,27	2,57	0,38	5,080	0,38	50	PHG 612-XL-...
	315	63.00	1 600.20	2,30	1,27	2,57	0,38	5,080	0,38	50	PHG 630-XL-...
	335	67.00	1 701.80	2,30	1,27	2,57	0,38	5,080	0,38	50	PHG 670-XL-...
	336	67.20	1 706.88	2,30	1,27	2,57	0,38	5,080	0,38	50	PHG 672-XL-...
	343	68.60	1 742.44	2,30	1,27	2,57	0,38	5,080	0,38	50	PHG 686-XL-...
	355	71.00	1 803.40	2,30	1,27	2,57	0,38	5,080	0,38	50	PHG 710-XL-...
	360	72.00	1 828.80	2,30	1,27	2,57	0,38	5,080	0,38	50	PHG 720-XL-...
	368	73.60	1 869.44	2,30	1,27	2,57	0,38	5,080	0,38	50	PHG 736-XL-...
	394	78.80	2 001.52	2,30	1,27	2,57	0,38	5,080	0,38	50	PHG 788-XL-...
	430	86.00	2 184.40	2,30	1,27	2,57	0,38	5,080	0,38	50	PHG 860-XL-...
	516	103.20	2 621.28	2,30	1,27	2,57	0,38	5,080	0,38	50	PHG 1032-XL-...
	610	122.00	3 098.80	2,30	1,27	2,57	0,38	5,080	0,38	50	PHG 1220-XL-...
	650	130.00	3 302.00	2,30	1,27	2,57	0,38	5,080	0,38	50	PHG 1300-XL-...
	747	149.40	3 794.76	2,30	1,27	2,57	0,38	5,080	0,38	50	PHG 1494-XL-...
	1 064	212.80	5 405.12	2,30	1,27	2,57	0,38	5,080	0,38	50	PHG 2128-XL-...
	L	18	6.75	171.45	3,60	1,91	4,65	0,51	9,525	0,51	40
26		9.75	247.65	3,60	1,91	4,65	0,51	9,525	0,51	40	PHG 98-L-...
29		10.88	276.23	3,60	1,91	4,65	0,51	9,525	0,51	40	PHG 109-L-...
30		11.25	285.75	3,60	1,91	4,65	0,51	9,525	0,51	40	PHG 113-L-...
33		12.38	314.33	3,60	1,91	4,65	0,51	9,525	0,51	40	PHG 124-L-...
35		13.13	333.38	3,60	1,91	4,65	0,51	9,525	0,51	40	PHG 130-L-...
36		13.50	342.90	3,60	1,91	4,65	0,51	9,525	0,51	40	PHG 135-L-...
38		14.25	361.95	3,60	1,91	4,65	0,51	9,525	0,51	40	PHG 143-L-...
40		15.00	381.00	3,60	1,91	4,65	0,51	9,525	0,51	40	PHG 150-L-...
41		15.38	390.53	3,60	1,91	4,65	0,51	9,525	0,51	40	PHG 154-L-...

Non-standard lengths may also be available.  
 To complete designation, add three digits for belt width in 1/100ths of an inch; e.g. for a 1/4" width add 025 or for a 3/8" width add 037.  
 Full sleeves are available in various widths. Please contact your SKF Authorized Distributor.

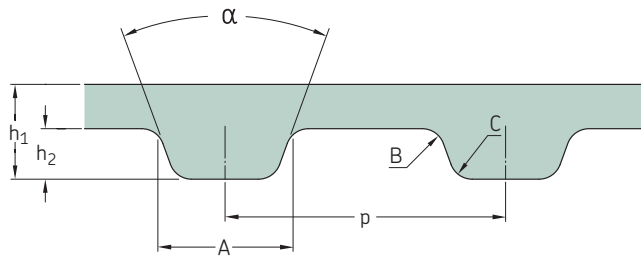
# SKF Classical Timing Belts

L

Section	Number of teeth	Dimensions		h <sub>1</sub>	h <sub>2</sub>	A	B	p	C	α	Designation
		Pitch length									
		in.	mm							°	
L	42	15.75	400.05	3,60	1,91	4,65	0,51	9,525	0,51	40	PHG 158-L-...
	43	16.13	409.58	3,60	1,91	4,65	0,51	9,525	0,51	40	PHG 160-L-...
	44	16.50	419.10	3,60	1,91	4,65	0,51	9,525	0,51	40	PHG 165-L-...
	45	16.88	428.63	3,60	1,91	4,65	0,51	9,525	0,51	40	PHG 169-L-...
	46	17.25	438.15	3,60	1,91	4,65	0,51	9,525	0,51	40	PHG 173-L-...
	47	17.63	447.68	3,60	1,91	4,65	0,51	9,525	0,51	40	PHG 177-L-...
	48	18.00	457.20	3,60	1,91	4,65	0,51	9,525	0,51	40	PHG 180-L-...
	49	18.38	466.73	3,60	1,91	4,65	0,51	9,525	0,51	40	PHG 185-L-...
	50	18.75	476.25	3,60	1,91	4,65	0,51	9,525	0,51	40	PHG 187-L-...
	51	19.13	485.78	3,60	1,91	4,65	0,51	9,525	0,51	40	PHG 191-L-...
	52	19.50	495.30	3,60	1,91	4,65	0,51	9,525	0,51	40	PHG 195-L-...
	54	20.25	514.35	3,60	1,91	4,65	0,51	9,525	0,51	40	PHG 203-L-...
	56	21.00	533.40	3,60	1,91	4,65	0,51	9,525	0,51	40	PHG 210-L-...
	57	21.38	542.93	3,60	1,91	4,65	0,51	9,525	0,51	40	PHG 214-L-...
	58	21.75	552.45	3,60	1,91	4,65	0,51	9,525	0,51	40	PHG 217-L-...
	60	22.50	571.50	3,60	1,91	4,65	0,51	9,525	0,51	40	PHG 225-L-...
	62	23.25	590.55	3,60	1,91	4,65	0,51	9,525	0,51	40	PHG 232-L-...
	63	23.60	599.44	3,60	1,91	4,65	0,51	9,525	0,51	40	PHG 236-L-...
	64	24.00	609.60	3,60	1,91	4,65	0,51	9,525	0,51	40	PHG 240-L-...
	65	24.38	619.13	3,60	1,91	4,65	0,51	9,525	0,51	40	PHG 244-L-...
	68	25.50	647.70	3,60	1,91	4,65	0,51	9,525	0,51	40	PHG 255-L-...
	69	25.80	655.32	3,60	1,91	4,65	0,51	9,525	0,51	40	PHG 258-L-...
	70	26.25	666.75	3,60	1,91	4,65	0,51	9,525	0,51	40	PHG 263-L-...
	71	26.63	676.28	3,60	1,91	4,65	0,51	9,525	0,51	40	PHG 265-L-...
	72	27.00	685.80	3,60	1,91	4,65	0,51	9,525	0,51	40	PHG 270-L-...
	73	27.38	695.33	3,60	1,91	4,65	0,51	9,525	0,51	40	PHG 275-L-...
	74	27.75	704.85	3,60	1,91	4,65	0,51	9,525	0,51	40	PHG 277-L-...
	75	28.13	714.38	3,60	1,91	4,65	0,51	9,525	0,51	40	PHG 280-L-...
	76	28.50	723.90	3,60	1,91	4,65	0,51	9,525	0,51	40	PHG 285-L-...
	80	30.00	762.00	3,60	1,91	4,65	0,51	9,525	0,51	40	PHG 300-L-...
	81	30.38	771.53	3,60	1,91	4,65	0,51	9,525	0,51	40	PHG 304-L-...
	84	31.50	800.10	3,60	1,91	4,65	0,51	9,525	0,51	40	PHG 315-L-...
	85	31.88	809.63	3,60	1,91	4,65	0,51	9,525	0,51	40	PHG 320-L-...
	86	32.25	819.15	3,60	1,91	4,65	0,51	9,525	0,51	40	PHG 322-L-...
	87	32.63	828.68	3,60	1,91	4,65	0,51	9,525	0,51	40	PHG 328-L-...
	88	33.00	838.20	3,60	1,91	4,65	0,51	9,525	0,51	40	PHG 330-L-...
	89	33.38	847.73	3,60	1,91	4,65	0,51	9,525	0,51	40	PHG 334-L-...
	90	33.75	857.25	3,60	1,91	4,65	0,51	9,525	0,51	40	PHG 337-L-...
	91	34.13	866.78	3,60	1,91	4,65	0,51	9,525	0,51	40	PHG 341-L-...
	92	34.50	876.30	3,60	1,91	4,65	0,51	9,525	0,51	40	PHG 345-L-...
	94	35.25	895.35	3,60	1,91	4,65	0,51	9,525	0,51	40	PHG 352-L-...
	96	36.00	914.40	3,60	1,91	4,65	0,51	9,525	0,51	40	PHG 360-L-...
	98	36.75	933.45	3,60	1,91	4,65	0,51	9,525	0,51	40	PHG 367-L-...
	99	37.13	942.98	3,60	1,91	4,65	0,51	9,525	0,51	40	PHG 371-L-...
	100	37.50	952.50	3,60	1,91	4,65	0,51	9,525	0,51	40	PHG 375-L-...
	102	38.25	971.55	3,60	1,91	4,65	0,51	9,525	0,51	40	PHG 382-L-...
	103	38.63	981.08	3,60	1,91	4,65	0,51	9,525	0,51	40	PHG 387-L-...
	104	39.00	990.60	3,60	1,91	4,65	0,51	9,525	0,51	40	PHG 390-L-...
	105	39.38	1 000.13	3,60	1,91	4,65	0,51	9,525	0,51	40	PHG 394-L-...
	106	39.75	1 009.65	3,60	1,91	4,65	0,51	9,525	0,51	40	PHG 397-L-...
	108	40.50	1 028.70	3,60	1,91	4,65	0,51	9,525	0,51	40	PHG 405-L-...
	109	40.88	1 038.23	3,60	1,91	4,65	0,51	9,525	0,51	40	PHG 408-L-...
	110	41.25	1 047.75	3,60	1,91	4,65	0,51	9,525	0,51	40	PHG 412-L-...
	112	42.00	1 066.80	3,60	1,91	4,65	0,51	9,525	0,51	40	PHG 420-L-...
	114	42.75	1 085.85	3,60	1,91	4,65	0,51	9,525	0,51	40	PHG 427-L-...
	116	43.50	1 104.90	3,60	1,91	4,65	0,51	9,525	0,51	40	PHG 435-L-...
	117	43.88	1 114.43	3,60	1,91	4,65	0,51	9,525	0,51	40	PHG 439-L-...
	119	44.20	1 122.68	3,60	1,91	4,65	0,51	9,525	0,51	40	PHG 442-L-...
	120	45.00	1 143.00	3,60	1,91	4,65	0,51	9,525	0,51	40	PHG 450-L-...
	121	45.38	1 152.53	3,60	1,91	4,65	0,51	9,525	0,51	40	PHG 453-L-...
	123	46.13	1 171.70	3,60	1,91	4,65	0,51	9,525	0,51	40	PHG 461-L-...
	124	46.50	1 181.10	3,60	1,91	4,65	0,51	9,525	0,51	40	PHG 465-L-...
	128	48.00	1 219.20	3,60	1,91	4,65	0,51	9,525	0,51	40	PHG 480-L-...
	132	49.50	1 257.30	3,60	1,91	4,65	0,51	9,525	0,51	40	PHG 495-L-...
	133	50.00	1 270.00	3,60	1,91	4,65	0,51	9,525	0,51	40	PHG 500-L-...
	136	51.00	1 295.40	3,60	1,91	4,65	0,51	9,525	0,51	40	PHG 510-L-...
	138	51.80	1 315.72	3,60	1,91	4,65	0,51	9,525	0,51	40	PHG 518-L-...
	140	52.50	1 333.50	3,60	1,91	4,65	0,51	9,525	0,51	40	PHG 525-L-...
	144	54.00	1 371.60	3,60	1,91	4,65	0,51	9,525	0,51	40	PHG 540-L-...
	148	55.50	1 409.70	3,60	1,91	4,65	0,51	9,525	0,51	40	PHG 555-L-...
	148	54.80	1 391.92	3,60	1,91	4,65	0,51	9,525	0,51	40	PHG 548-L-...
	152	57.00	1 447.80	3,60	1,91	4,65	0,51	9,525	0,51	40	PHG 570-L-...
	153	57.38	1 457.33	3,60	1,91	4,65	0,51	9,525	0,51	40	PHG 574-L-...
	155	58.13	1 476.38	3,60	1,91	4,65	0,51	9,525	0,51	40	PHG 581-L-...
	156	58.50	1 485.90	3,60	1,91	4,65	0,51	9,525	0,51	40	PHG 585-L-...
	160	60.00	1 524.00	3,60	1,91	4,65	0,51	9,525	0,51	40	PHG 600-L-...

Non-standard lengths may also be available.

To complete designation, add three digits for belt width in 1/100ths of an inch; e.g. for a 1/4" width add 025 or for a 3/8" width add 037. Full sleeves are available in various widths. Please contact your SKF Authorized Distributor.



Section	Number of teeth	Dimensions		h <sub>1</sub>	h <sub>2</sub>	A	B	p	C	α	Designation	
		Pitch length										
-	-	in.	mm							°	-	
L	165	61.88	1 571.63	3,60	1,91	4,65	0,51	9,525	0,51	40	PHG 619-L-...	
	168	63.00	1 600.20	3,60	1,91	4,65	0,51	9,525	0,51	40	PHG 630-L-...	
	169	63.38	1 609.73	3,60	1,91	4,65	0,51	9,525	0,51	40	PHG 634-L-...	
	176	66.00	1 676.40	3,60	1,91	4,65	0,51	9,525	0,51	40	PHG 660-L-...	
	185	69.38	1 762.13	3,60	1,91	4,65	0,51	9,525	0,51	40	PHG 694-L-...	
	186	69.75	1 771.65	3,60	1,91	4,65	0,51	9,525	0,51	40	PHG 697-L-...	
	187	70.13	1 781.30	3,60	1,91	4,65	0,51	9,525	0,51	40	PHG 701-L-...	
	192	72.00	1 828.80	3,60	1,91	4,65	0,51	9,525	0,51	40	PHG 720-L-...	
	194	72.75	1 847.85	3,60	1,91	4,65	0,51	9,525	0,51	40	PHG 728-L-...	
	195	73.13	1 857.38	3,60	1,91	4,65	0,51	9,525	0,51	40	PHG 731-L-...	
	204	76.50	1 943.10	3,60	1,91	4,65	0,51	9,525	0,51	40	PHG 765-L-...	
	218	81.75	2 076.45	3,60	1,91	4,65	0,51	9,525	0,51	40	PHG 817-L-...	
	224	84.00	2 133.60	3,60	1,91	4,65	0,51	9,525	0,51	40	PHG 840-L-...	
	228	85.50	2 171.70	3,60	1,91	4,65	0,51	9,525	0,51	40	PHG 855-L-...	
	230	86.25	2 190.75	3,60	1,91	4,65	0,51	9,525	0,51	40	PHG 863-L-...	
	232	87.00	2 209.80	3,60	1,91	4,65	0,51	9,525	0,51	40	PHG 870-L-...	
	235	88.13	2 238.38	3,60	1,91	4,65	0,51	9,525	0,51	40	PHG 881-L-...	
	240	90.00	2 286.00	3,60	1,91	4,65	0,51	9,525	0,51	40	PHG 900-L-...	
	244	91.50	2 324.10	3,60	1,91	4,65	0,51	9,525	0,51	40	PHG 915-L-...	
	249	93.38	2 371.73	3,60	1,91	4,65	0,51	9,525	0,51	40	PHG 934-L-...	
	261	98.00	2 489.20	3,60	1,91	4,65	0,51	9,525	0,51	40	PHG 980-L-...	
	274	102.75	2 609.85	3,60	1,91	4,65	0,51	9,525	0,51	40	PHG 1028-L-...	
	306	114.75	2 914.65	3,60	1,91	4,65	0,51	9,525	0,51	40	PHG 1148-L-...	
	318	119.25	3 028.95	3,60	1,91	4,65	0,51	9,525	0,51	40	PHG 1192-L-...	
	375	140.63	3 571.88	3,60	1,91	4,65	0,51	9,525	0,51	40	PHG 1406-L-...	
	378	141.75	3 600.45	3,60	1,91	4,65	0,51	9,525	0,51	40	PHG 1418-L-...	
	447	167.63	4 257.68	3,60	1,91	4,65	0,51	9,525	0,51	40	PHG 1675-L-...	
	530	198.75	5 048.25	3,60	1,91	4,65	0,51	9,525	0,51	40	PHG 1998-L-...	
	H	29	14.50	368.30	4,30	2,29	6,12	1,02	12,700	1,02	40	PHG 145-H-...
		37	18.50	469.90	4,30	2,29	6,12	1,02	12,700	1,02	40	PHG 185-H-...
40		20.00	508.00	4,30	2,29	6,12	1,02	12,700	1,02	40	PHG 200-H-...	
41		20.50	520.70	4,30	2,29	6,12	1,02	12,700	1,02	40	PHG 205-H-...	
42		21.00	533.40	4,30	2,29	6,12	1,02	12,700	1,02	40	PHG 210-H-...	
44		22.00	558.80	4,30	2,29	6,12	1,02	12,700	1,02	40	PHG 220-H-...	
45		22.50	571.50	4,30	2,29	6,12	1,02	12,700	1,02	40	PHG 225-H-...	
46		23.00	584.20	4,30	2,29	6,12	1,02	12,700	1,02	40	PHG 230-H-...	
48		24.00	609.60	4,30	2,29	6,12	1,02	12,700	1,02	40	PHG 240-H-...	
49		24.50	622.30	4,30	2,29	6,12	1,02	12,700	1,02	40	PHG 245-H-...	
50		25.00	635.00	4,30	2,29	6,12	1,02	12,700	1,02	40	PHG 250-H-...	
51		25.50	647.70	4,30	2,29	6,12	1,02	12,700	1,02	40	PHG 255-H-...	
52		26.00	660.40	4,30	2,29	6,12	1,02	12,700	1,02	40	PHG 260-H-...	
54		27.00	685.80	4,30	2,29	6,12	1,02	12,700	1,02	40	PHG 270-H-...	
56		28.00	711.20	4,30	2,29	6,12	1,02	12,700	1,02	40	PHG 280-H-...	
57		28.50	723.90	4,30	2,29	6,12	1,02	12,700	1,02	40	PHG 285-H-...	
58		29.00	736.60	4,30	2,29	6,12	1,02	12,700	1,02	40	PHG 290-H-...	
60		30.00	762.00	4,30	2,29	6,12	1,02	12,700	1,02	40	PHG 300-H-...	
62		31.00	787.40	4,30	2,29	6,12	1,02	12,700	1,02	40	PHG 310-H-...	
63		31.50	800.10	4,30	2,29	6,12	1,02	12,700	1,02	40	PHG 315-H-...	
64		32.00	812.80	4,30	2,29	6,12	1,02	12,700	1,02	40	PHG 320-H-...	
65		32.50	825.50	4,30	2,29	6,12	1,02	12,700	1,02	40	PHG 325-H-...	
66		33.00	838.20	4,30	2,29	6,12	1,02	12,700	1,02	40	PHG 330-H-...	
67		33.50	850.90	4,30	2,29	6,12	1,02	12,700	1,02	40	PHG 335-H-...	
68		34.00	863.60	4,30	2,29	6,12	1,02	12,700	1,02	40	PHG 340-H-...	
69		34.50	876.30	4,30	2,29	6,12	1,02	12,700	1,02	40	PHG 345-H-...	

Non-standard lengths may also be available.  
 To complete designation, add three digits for belt width in 1/100ths of an inch; e.g. for a 1/4" width add 025 or for a 3/8" width add 037.  
 Full sleeves are available in various widths. Please contact your SKF Authorized Distributor.



# SKF Classical Timing Belts

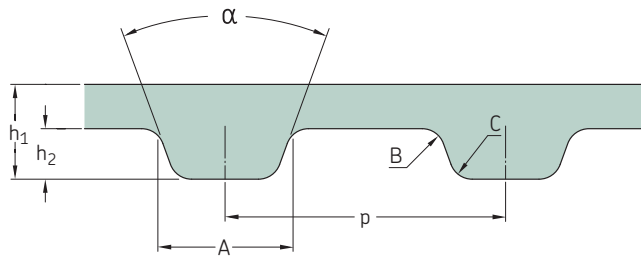
H

Section	Number of teeth	Dimensions		h <sub>1</sub>	h <sub>2</sub>	A	B	p	C	α	Designation
		Pitch length									
-	-	in.	mm								
H	70	35.00	889,00	4,30	2,29	6,12	1,02	12,700	1,02	40	PHG 350-H-...
	71	35.50	901,70	4,30	2,29	6,12	1,02	12,700	1,02	40	PHG 355-H-...
	72	36.00	914,40	4,30	2,29	6,12	1,02	12,700	1,02	40	PHG 360-H-...
	73	36.50	927,10	4,30	2,29	6,12	1,02	12,700	1,02	40	PHG 365-H-...
	74	37.00	939,80	4,30	2,29	6,12	1,02	12,700	1,02	40	PHG 370-H-...
	75	37.50	952,50	4,30	2,29	6,12	1,02	12,700	1,02	40	PHG 375-H-...
	76	38.00	965,20	4,30	2,29	6,12	1,02	12,700	1,02	40	PHG 380-H-...
	78	39.00	990,60	4,30	2,29	6,12	1,02	12,700	1,02	40	PHG 390-H-...
	79	39.50	1 003,30	4,30	2,29	6,12	1,02	12,700	1,02	40	PHG 395-H-...
	80	40.00	1 016,00	4,30	2,29	6,12	1,02	12,700	1,02	40	PHG 400-H-...
	81	40.50	1 028,70	4,30	2,29	6,12	1,02	12,700	1,02	40	PHG 405-H-...
	82	41.00	1 041,40	4,30	2,29	6,12	1,02	12,700	1,02	40	PHG 410-H-...
	84	42.00	1 066,80	4,30	2,29	6,12	1,02	12,700	1,02	40	PHG 420-H-...
	85	42.50	1 079,50	4,30	2,29	6,12	1,02	12,700	1,02	40	PHG 425-H-...
	86	43.00	1 092,20	4,30	2,29	6,12	1,02	12,700	1,02	40	PHG 430-H-...
	89	44.50	1 130,30	4,30	2,29	6,12	1,02	12,700	1,02	40	PHG 445-H-...
	90	45.00	1 143,00	4,30	2,29	6,12	1,02	12,700	1,02	40	PHG 450-H-...
	91	45.50	1 155,70	4,30	2,29	6,12	1,02	12,700	1,02	40	PHG 455-H-...
	92	46.00	1 168,40	4,30	2,29	6,12	1,02	12,700	1,02	40	PHG 460-H-...
93	46.50	1 181,10	4,30	2,29	6,12	1,02	12,700	1,02	40	PHG 465-H-...	
96	48.00	1 219,20	4,30	2,29	6,12	1,02	12,700	1,02	40	PHG 480-H-...	
97	48.50	1 231,90	4,30	2,29	6,12	1,02	12,700	1,02	40	PHG 485-H-...	
98	49.00	1 244,60	4,30	2,29	6,12	1,02	12,700	1,02	40	PHG 490-H-...	
100	50.00	1 270,00	4,30	2,29	6,12	1,02	12,700	1,02	40	PHG 500-H-...	
102	51.00	1 295,40	4,30	2,29	6,12	1,02	12,700	1,02	40	PHG 510-H-...	
103	51.50	1 308,10	4,30	2,29	6,12	1,02	12,700	1,02	40	PHG 515-H-...	
104	52.00	1 320,80	4,30	2,29	6,12	1,02	12,700	1,02	40	PHG 520-H-...	
105	52.50	1 333,50	4,30	2,29	6,12	1,02	12,700	1,02	40	PHG 525-H-...	
106	53.00	1 346,20	4,30	2,29	6,12	1,02	12,700	1,02	40	PHG 530-H-...	
107	53.50	1 358,90	4,30	2,29	6,12	1,02	12,700	1,02	40	PHG 535-H-...	
108	54.00	1 371,60	4,30	2,29	6,12	1,02	12,700	1,02	40	PHG 540-H-...	
110	55.00	1 397,00	4,30	2,29	6,12	1,02	12,700	1,02	40	PHG 550-H-...	
111	55.50	1 409,70	4,30	2,29	6,12	1,02	12,700	1,02	40	PHG 555-H-...	
112	56.00	1 422,40	4,30	2,29	6,12	1,02	12,700	1,02	40	PHG 560-H-...	
113	56.50	1 435,10	4,30	2,29	6,12	1,02	12,700	1,02	40	PHG 565-H-...	
114	57.00	1 447,80	4,30	2,29	6,12	1,02	12,700	1,02	40	PHG 570-H-...	
116	58.00	1 473,20	4,30	2,29	6,12	1,02	12,700	1,02	40	PHG 580-H-...	
117	58.50	1 485,90	4,30	2,29	6,12	1,02	12,700	1,02	40	PHG 585-H-...	
118	59.00	1 498,60	4,30	2,29	6,12	1,02	12,700	1,02	40	PHG 590-H-...	
120	60.00	1 524,00	4,30	2,29	6,12	1,02	12,700	1,02	40	PHG 600-H-...	
121	60.50	1 536,70	4,30	2,29	6,12	1,02	12,700	1,02	40	PHG 605-H-...	
122	61.00	1 549,40	4,30	2,29	6,12	1,02	12,700	1,02	40	PHG 610-H-...	
125	62.50	1 587,50	4,30	2,29	6,12	1,02	12,700	1,02	40	PHG 625-H-...	
126	63.00	1 600,20	4,30	2,29	6,12	1,02	12,700	1,02	40	PHG 630-H-...	
128	64.00	1 625,60	4,30	2,29	6,12	1,02	12,700	1,02	40	PHG 640-H-...	
130	65.00	1 651,00	4,30	2,29	6,12	1,02	12,700	1,02	40	PHG 650-H-...	
132	66.00	1 676,40	4,30	2,29	6,12	1,02	12,700	1,02	40	PHG 660-H-...	
134	67.00	1 701,80	4,30	2,29	6,12	1,02	12,700	1,02	40	PHG 670-H-...	
136	68.00	1 727,20	4,30	2,29	6,12	1,02	12,700	1,02	40	PHG 680-H-...	
138	69.00	1 752,60	4,30	2,29	6,12	1,02	12,700	1,02	40	PHG 690-H-...	
139	69.50	1 765,30	4,30	2,29	6,12	1,02	12,700	1,02	40	PHG 695-H-...	
140	70.00	1 778,00	4,30	2,29	6,12	1,02	12,700	1,02	40	PHG 700-H-...	
142	71.00	1 803,40	4,30	2,29	6,12	1,02	12,700	1,02	40	PHG 710-H-...	
144	72.00	1 828,80	4,30	2,29	6,12	1,02	12,700	1,02	40	PHG 720-H-...	
145	72.50	1 841,50	4,30	2,29	6,12	1,02	12,700	1,02	40	PHG 725-H-...	
146	73.00	1 854,20	4,30	2,29	6,12	1,02	12,700	1,02	40	PHG 730-H-...	
148	74.00	1 879,60	4,30	2,29	6,12	1,02	12,700	1,02	40	PHG 740-H-...	
150	75.00	1 905,00	4,30	2,29	6,12	1,02	12,700	1,02	40	PHG 750-H-...	
154	77.00	1 955,80	4,30	2,29	6,12	1,02	12,700	1,02	40	PHG 770-H-...	
155	77.50	1 968,50	4,30	2,29	6,12	1,02	12,700	1,02	40	PHG 775-H-...	
157	78.50	1 993,90	4,30	2,29	6,12	1,02	12,700	1,02	40	PHG 785-H-...	
160	80.00	2 032,00	4,30	2,29	6,12	1,02	12,700	1,02	40	PHG 800-H-...	
162	81.00	2 057,40	4,30	2,29	6,12	1,02	12,700	1,02	40	PHG 810-H-...	
164	82.00	2 082,80	4,30	2,29	6,12	1,02	12,700	1,02	40	PHG 820-H-...	
166	83.00	2 108,20	4,30	2,29	6,12	1,02	12,700	1,02	40	PHG 830-H-...	
168	84.00	2 133,60	4,30	2,29	6,12	1,02	12,700	1,02	40	PHG 840-H-...	
170	85.00	2 159,00	4,30	2,29	6,12	1,02	12,700	1,02	40	PHG 850-H-...	
172	86.00	2 184,40	4,30	2,29	6,12	1,02	12,700	1,02	40	PHG 860-H-...	
176	88.00	2 235,20	4,30	2,29	6,12	1,02	12,700	1,02	40	PHG 880-H-...	
179	89.50	2 273,30	4,30	2,29	6,12	1,02	12,700	1,02	40	PHG 895-H-...	
180	90.00	2 286,00	4,30	2,29	6,12	1,02	12,700	1,02	40	PHG 900-H-...	
184	92.00	2 336,80	4,30	2,29	6,12	1,02	12,700	1,02	40	PHG 920-H-...	
186	93.00	2 362,20	4,30	2,29	6,12	1,02	12,700	1,02	40	PHG 930-H-...	
190	95.00	2 413,00	4,30	2,29	6,12	1,02	12,700	1,02	40	PHG 950-H-...	
192	96.00	2 438,40	4,30	2,29	6,12	1,02	12,700	1,02	40	PHG 960-H-...	
196	98.00	2 489,20	4,30	2,29	6,12	1,02	12,700	1,02	40	PHG 980-H-...	

Non-standard lengths may also be available.

To complete designation, add three digits for belt width in 1/100ths of an inch; e.g. for a 1/4" width add 025 or for a 3/8" width add 037.

Full sleeves are available in various widths. Please contact your SKF Authorized Distributor.



Section	Number of teeth	Dimensions		h <sub>1</sub>	h <sub>2</sub>	A	B	p	C	α	Designation
		Pitch length									
		in.	mm							°	
H	197	98.50	2 501,90	4,30	2,29	6,12	1,02	12,700	1,02	40	PHG 985-H-...
	200	100.00	2 540,00	4,30	2,29	6,12	1,02	12,700	1,02	40	PHG 1000-H-...
	204	102.00	2 590,80	4,30	2,29	6,12	1,02	12,700	1,02	40	PHG 1020-H-...
	206	103.00	2 616,20	4,30	2,29	6,12	1,02	12,700	1,02	40	PHG 1030-H-...
	210	105.00	2 667,00	4,30	2,29	6,12	1,02	12,700	1,02	40	PHG 1050-H-...
	217	108.50	2 755,90	4,30	2,29	6,12	1,02	12,700	1,02	40	PHG 1085-H-...
	220	110.00	2 794,00	4,30	2,29	6,12	1,02	12,700	1,02	40	PHG 1100-H-...
	224	112.00	2 844,80	4,30	2,29	6,12	1,02	12,700	1,02	40	PHG 1120-H-...
	228	114.00	2 895,60	4,30	2,29	6,12	1,02	12,700	1,02	40	PHG 1140-H-...
	230	115.00	2 921,00	4,30	2,29	6,12	1,02	12,700	1,02	40	PHG 1150-H-...
	234	117.00	2 971,80	4,30	2,29	6,12	1,02	12,700	1,02	40	PHG 1170-H-...
	235	117.50	2 984,50	4,30	2,29	6,12	1,02	12,700	1,02	40	PHG 1175-H-...
	240	120.00	3 048,00	4,30	2,29	6,12	1,02	12,700	1,02	40	PHG 1200-H-...
	250	125.00	3 175,00	4,30	2,29	6,12	1,02	12,700	1,02	40	PHG 1250-H-...
	252	126.00	3 200,40	4,30	2,29	6,12	1,02	12,700	1,02	40	PHG 1260-H-...
	254	127.00	3 225,80	4,30	2,29	6,12	1,02	12,700	1,02	40	PHG 1270-H-...
	265	132.50	3 365,50	4,30	2,29	6,12	1,02	12,700	1,02	40	PHG 1325-H-...
	270	135.00	3 429,00	4,30	2,29	6,12	1,02	12,700	1,02	40	PHG 1350-H-...
	272	136.00	3 454,40	4,30	2,29	6,12	1,02	12,700	1,02	40	PHG 1360-H-...
	276	138.00	3 505,20	4,30	2,29	6,12	1,02	12,700	1,02	40	PHG 1380-H-...
	280	140.00	3 556,00	4,30	2,29	6,12	1,02	12,700	1,02	40	PHG 1400-H-...
	288	144.00	3 657,60	4,30	2,29	6,12	1,02	12,700	1,02	40	PHG 1440-H-...
	290	145.00	3 683,00	4,30	2,29	6,12	1,02	12,700	1,02	40	PHG 1450-H-...
	292	146.00	3 708,40	4,30	2,29	6,12	1,02	12,700	1,02	40	PHG 1460-H-...
	302	151.00	3 835,40	4,30	2,29	6,12	1,02	12,700	1,02	40	PHG 1510-H-...
	307	153.50	3 898,90	4,30	2,29	6,12	1,02	12,700	1,02	40	PHG 1535-H-...
	310	155.00	3 937,00	4,30	2,29	6,12	1,02	12,700	1,02	40	PHG 1550-H-...
	312	156.00	3 962,40	4,30	2,29	6,12	1,02	12,700	1,02	40	PHG 1560-H-...
	320	160.00	4 064,00	4,30	2,29	6,12	1,02	12,700	1,02	40	PHG 1600-H-...
	326	163.00	4 140,20	4,30	2,29	6,12	1,02	12,700	1,02	40	PHG 1630-H-...
	332	166.00	4 216,40	4,30	2,29	6,12	1,02	12,700	1,02	40	PHG 1660-H-...
	336	168.00	4 267,20	4,30	2,29	6,12	1,02	12,700	1,02	40	PHG 1680-H-...
	340	170.00	4 318,00	4,30	2,29	6,12	1,02	12,700	1,02	40	PHG 1700-H-...
	350	175.00	4 445,00	4,30	2,29	6,12	1,02	12,700	1,02	40	PHG 1750-H-...
	353	176.50	4 483,10	4,30	2,29	6,12	1,02	12,700	1,02	40	PHG 1765-H-...
	371	185.50	4 711,70	4,30	2,29	6,12	1,02	12,700	1,02	40	PHG 1855-H-...
	402	201.00	5 105,40	4,30	2,29	6,12	1,02	12,700	1,02	40	PHG 2010-H-...
	410	205.00	5 207,00	4,30	2,29	6,12	1,02	12,700	1,02	40	PHG 2050-H-...
	440	220.00	5 588,00	4,30	2,29	6,12	1,02	12,700	1,02	40	PHG 2200-H-...
	442	221.00	5 613,40	4,30	2,29	6,12	1,02	12,700	1,02	40	PHG 2210-H-...
472	236.00	5 994,40	4,30	2,29	6,12	1,02	12,700	1,02	40	PHG 2360-H-...	
500	250.00	6 350,00	4,30	2,29	6,12	1,02	12,700	1,02	40	PHG 2500-H-...	
520	260.00	6 604,00	4,30	2,29	6,12	1,02	12,700	1,02	40	PHG 2600-H-...	
536	268.00	6 807,20	4,30	2,29	6,12	1,02	12,700	1,02	40	PHG 2680-H-...	
540	270.00	6 858,00	4,30	2,29	6,12	1,02	12,700	1,02	40	PHG 2700-H-...	
544	272.00	6 908,80	4,30	2,29	6,12	1,02	12,700	1,02	40	PHG 2720-H-...	
XH	53	46.38	1 117,93	11,20	6,35	12,57	1,57	22,225	1,19	40	PHG 463-XH-...
	58	50.75	1 289,05	11,20	6,35	12,57	1,57	22,225	1,19	40	PHG 507-XH-...
	58	50.80	1 290,32	11,20	6,35	12,57	1,57	22,225	1,19	40	PHG 508-XH-...
	64	56.00	1 422,40	11,20	6,35	12,57	1,57	22,225	1,19	40	PHG 560-XH-...
	65	56.88	1 444,63	11,20	6,35	12,57	1,57	22,225	1,19	40	PHG 570-XH-...
	66	57.55	1 466,85	11,20	6,35	12,57	1,57	22,225	1,19	40	PHG 580-XH-...
	69	60.38	1 533,53	11,20	6,35	12,57	1,57	22,225	1,19	40	PHG 604-XH-...
	72	63.00	1 600,20	11,20	6,35	12,57	1,57	22,225	1,19	40	PHG 630-XH-...

Non-standard lengths may also be available.  
 To complete designation, add three digits for belt width in 1/100ths of an inch; e.g. for a 1/4" width add 025 or for a 3/8" width add 037.  
 Full sleeves are available in various widths. Please contact your SKF Authorized Distributor.

# SKF Classical Timing Belts

XH | XXH

Section	Number of teeth	Dimensions		h <sub>1</sub>	h <sub>2</sub>	A	B	p	C	α	Designation
		Pitch length									
–	–	in.	mm							°	–
XH	80	70.00	1 778,00	11,20	6,35	12,57	1,57	22,225	1,19	40	PHG 700-XH-...
	81	71.00	1 803,40	11,20	6,35	12,57	1,57	22,225	1,19	40	PHG 710-XH-...
	84	73.50	1 866,90	11,20	6,35	12,57	1,57	22,225	1,19	40	PHG 735-XH-...
	86	75.25	1 911,35	11,20	6,35	12,57	1,57	22,225	1,19	40	PHG 752-XH-...
	88	77.00	1 955,80	11,20	6,35	12,57	1,57	22,225	1,19	40	PHG 770-XH-...
	91	79.63	2 022,48	11,20	6,35	12,57	1,57	22,225	1,19	40	PHG 800-XH-...
	92	80.50	2 044,70	11,20	6,35	12,57	1,57	22,225	1,19	40	PHG 805-XH-...
	96	84.00	2 133,60	11,20	6,35	12,57	1,57	22,225	1,19	40	PHG 840-XH-...
	103	90.13	2 289,18	11,20	6,35	12,57	1,57	22,225	1,19	40	PHG 901-XH-...
	105	91.88	2 333,63	11,20	6,35	12,57	1,57	22,225	1,19	40	PHG 919-XH-...
	106	92.75	2 355,85	11,20	6,35	12,57	1,57	22,225	1,19	40	PHG 927-XH-...
	112	98.00	2 489,20	11,20	6,35	12,57	1,57	22,225	1,19	40	PHG 980-XH-...
	114	99.75	2 533,65	11,20	6,35	12,57	1,57	22,225	1,19	40	PHG 1000-XH-...
	128	112.00	2 844,80	11,20	6,35	12,57	1,57	22,225	1,19	40	PHG 1120-XH-...
	144	126.00	3 200,40	11,20	6,35	12,57	1,57	22,225	1,19	40	PHG 1260-XH-...
	160	140.00	3 556,00	11,20	6,35	12,57	1,57	22,225	1,19	40	PHG 1400-XH-...
	176	154.00	3 911,60	11,20	6,35	12,57	1,57	22,225	1,19	40	PHG 1540-XH-...
	180	157.50	4 000,50	11,20	6,35	12,57	1,57	22,225	1,19	40	PHG 1575-XH-...
	200	175.00	4 445,00	11,20	6,35	12,57	1,57	22,225	1,19	40	PHG 1750-XH-...
	214	187.25	4 756,15	11,20	6,35	12,57	1,57	22,225	1,19	40	PHG 1873-XH-...
260	227.50	5 778,50	11,20	6,35	12,57	1,57	22,225	1,19	40	PHG 2275-XH-...	
XXH	50	62.50	1 587,50	15,70	9,53	19,05	2,29	31,750	1,52	40	PHG 625-XXH-...
	52	65.00	1 651,00	15,70	9,53	19,05	2,29	31,750	1,52	40	PHG 650-XXH-...
	56	70.00	1 778,00	15,70	9,53	19,05	2,29	31,750	1,52	40	PHG 700-XXH-...
	64	80.00	2 032,00	15,70	9,53	19,05	2,29	31,750	1,52	40	PHG 800-XXH-...
	72	90.00	2 286,00	15,70	9,53	19,05	2,29	31,750	1,52	40	PHG 900-XXH-...
	76	95.00	2 413,00	15,70	9,53	19,05	2,29	31,750	1,52	40	PHG 950-XXH-...
	80	100.00	2 540,00	15,70	9,53	19,05	2,29	31,750	1,52	40	PHG 1000-XXH-...
	84	105.00	2 667,00	15,70	9,53	19,05	2,29	31,750	1,52	40	PHG 1050-XXH-...
	96	120.00	3 048,00	15,70	9,53	19,05	2,29	31,750	1,52	40	PHG 1200-XXH-...
	100	125.00	3 175,00	15,70	9,53	19,05	2,29	31,750	1,52	40	PHG 1250-XXH-...
	112	140.00	3 556,00	15,70	9,53	19,05	2,29	31,750	1,52	40	PHG 1400-XXH-...
	125	156.25	3 968,75	15,70	9,53	19,05	2,29	31,750	1,52	40	PHG 1563-XXH-...
	128	160.00	4 064,00	15,70	9,53	19,05	2,29	31,750	1,52	40	PHG 1600-XXH-...
	136	170.00	4 318,00	15,70	9,53	19,05	2,29	31,750	1,52	40	PHG 1700-XXH-...
	144	180.00	4 572,00	15,70	9,53	19,05	2,29	31,750	1,52	40	PHG 1800-XXH-...
	154	192.50	4 889,50	15,70	9,53	19,05	2,29	31,750	1,52	40	PHG 1925-XXH-...
	160	200.00	5 080,00	15,70	9,53	19,05	2,29	31,750	1,52	40	PHG 2000-XXH-...

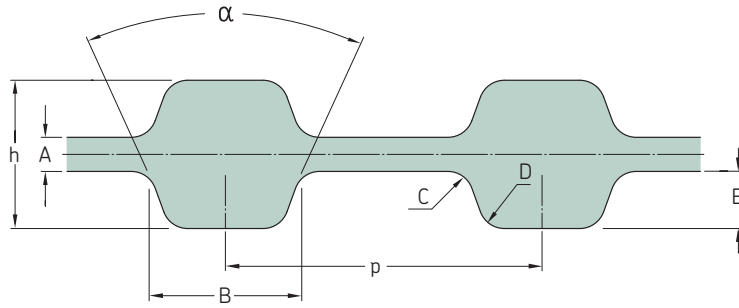
Non-standard lengths may also be available.

To complete designation, add three digits for belt width in 1/100ths of an inch; e.g. for a 1/4" width add 025 or for a 3/8" width add 037.

Full sleeves are available in various widths. Please contact your SKF Authorized Distributor.

# SKF Double-sided Classical Timing Belts

D-XL



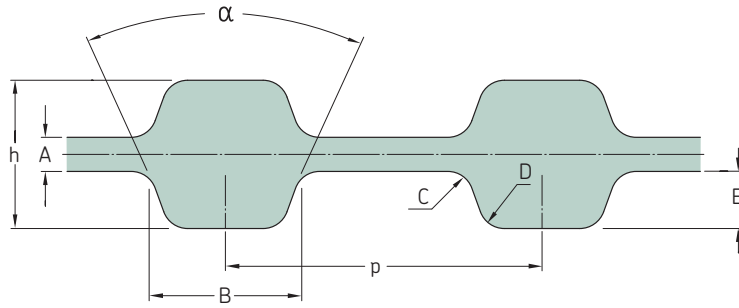
Section	Number of teeth per side	Dimensions		h	A	B	C	D	p	E	α	Designation
		Pitch length										
-	-	in.	mm								°	-
D-XL	99	19.80	502.92	3.05	0.51	2.57	0.38	0.38	5.080	1.27	50	PHG D-198-XL-...
	100	20.00	508.00	3.05	0.51	2.57	0.38	0.38	5.080	1.27	50	PHG D-200-XL-...
	101	20.20	513.08	3.05	0.51	2.57	0.38	0.38	5.080	1.27	50	PHG D-202-XL-...
	103	20.60	523.24	3.05	0.51	2.57	0.38	0.38	5.080	1.27	50	PHG D-206-XL-...
	104	20.80	528.32	3.05	0.51	2.57	0.38	0.38	5.080	1.27	50	PHG D-208-XL-...
	105	21.00	533.40	3.05	0.51	2.57	0.38	0.38	5.080	1.27	50	PHG D-210-XL-...
	106	21.20	538.48	3.05	0.51	2.57	0.38	0.38	5.080	1.27	50	PHG D-212-XL-...
	107	21.40	543.56	3.05	0.51	2.57	0.38	0.38	5.080	1.27	50	PHG D-214-XL-...
	109	21.80	553.72	3.05	0.51	2.57	0.38	0.38	5.080	1.27	50	PHG D-218-XL-...
	110	22.00	558.80	3.05	0.51	2.57	0.38	0.38	5.080	1.27	50	PHG D-220-XL-...
	113	22.60	574.04	3.05	0.51	2.57	0.38	0.38	5.080	1.27	50	PHG D-226-XL-...
	114	22.80	579.12	3.05	0.51	2.57	0.38	0.38	5.080	1.27	50	PHG D-228-XL-...
	115	23.00	584.20	3.05	0.51	2.57	0.38	0.38	5.080	1.27	50	PHG D-230-XL-...
	117	23.40	594.36	3.05	0.51	2.57	0.38	0.38	5.080	1.27	50	PHG D-234-XL-...
	118	23.60	599.44	3.05	0.51	2.57	0.38	0.38	5.080	1.27	50	PHG D-236-XL-...
	120	24.00	609.60	3.05	0.51	2.57	0.38	0.38	5.080	1.27	50	PHG D-240-XL-...
	124	24.80	629.92	3.05	0.51	2.57	0.38	0.38	5.080	1.27	50	PHG D-248-XL-...
	125	25.00	635.00	3.05	0.51	2.57	0.38	0.38	5.080	1.27	50	PHG D-250-XL-...
	128	25.60	650.24	3.05	0.51	2.57	0.38	0.38	5.080	1.27	50	PHG D-256-XL-...
	130	26.00	660.40	3.05	0.51	2.57	0.38	0.38	5.080	1.27	50	PHG D-260-XL-...
	132	26.40	670.56	3.05	0.51	2.57	0.38	0.38	5.080	1.27	50	PHG D-264-XL-...
	135	27.00	685.80	3.05	0.51	2.57	0.38	0.38	5.080	1.27	50	PHG D-270-XL-...
	137	27.40	695.96	3.05	0.51	2.57	0.38	0.38	5.080	1.27	50	PHG D-274-XL-...
	138	27.60	701.04	3.05	0.51	2.57	0.38	0.38	5.080	1.27	50	PHG D-276-XL-...
	140	28.00	711.20	3.05	0.51	2.57	0.38	0.38	5.080	1.27	50	PHG D-280-XL-...
	141	28.20	716.28	3.05	0.51	2.57	0.38	0.38	5.080	1.27	50	PHG D-282-XL-...
	143	28.60	726.44	3.05	0.51	2.57	0.38	0.38	5.080	1.27	50	PHG D-286-XL-...
	145	29.00	736.60	3.05	0.51	2.57	0.38	0.38	5.080	1.27	50	PHG D-290-XL-...
	150	30.00	762.00	3.05	0.51	2.57	0.38	0.38	5.080	1.27	50	PHG D-300-XL-...
	152	30.40	772.16	3.05	0.51	2.57	0.38	0.38	5.080	1.27	50	PHG D-304-XL-...
	153	30.60	777.24	3.05	0.51	2.57	0.38	0.38	5.080	1.27	50	PHG D-306-XL-...
	155	31.00	787.40	3.05	0.51	2.57	0.38	0.38	5.080	1.27	50	PHG D-310-XL-...
	158	31.60	802.64	3.05	0.51	2.57	0.38	0.38	5.080	1.27	50	PHG D-316-XL-...
	160	32.00	812.80	3.05	0.51	2.57	0.38	0.38	5.080	1.27	50	PHG D-320-XL-...
	161	32.20	817.88	3.05	0.51	2.57	0.38	0.38	5.080	1.27	50	PHG D-322-XL-...
	163	32.60	828.04	3.05	0.51	2.57	0.38	0.38	5.080	1.27	50	PHG D-326-XL-...
	165	33.00	838.20	3.05	0.51	2.57	0.38	0.38	5.080	1.27	50	PHG D-330-XL-...
	170	34.00	863.60	3.05	0.51	2.57	0.38	0.38	5.080	1.27	50	PHG D-340-XL-...
	172	34.40	873.76	3.05	0.51	2.57	0.38	0.38	5.080	1.27	50	PHG D-344-XL-...
	174	34.80	883.92	3.05	0.51	2.57	0.38	0.38	5.080	1.27	50	PHG D-348-XL-...
	176	35.20	894.08	3.05	0.51	2.57	0.38	0.38	5.080	1.27	50	PHG D-352-XL-...
	178	35.60	904.24	3.05	0.51	2.57	0.38	0.38	5.080	1.27	50	PHG D-356-XL-...
	180	36.00	914.40	3.05	0.51	2.57	0.38	0.38	5.080	1.27	50	PHG D-360-XL-...
	181	36.00	914.40	3.05	0.51	2.57	0.38	0.38	5.080	1.27	50	PHG D-362-XL-...
	182	36.40	924.56	3.05	0.51	2.57	0.38	0.38	5.080	1.27	50	PHG D-364-XL-...
	185	37.00	939.80	3.05	0.51	2.57	0.38	0.38	5.080	1.27	50	PHG D-370-XL-...
	186	37.20	944.88	3.05	0.51	2.57	0.38	0.38	5.080	1.27	50	PHG D-372-XL-...
	188	37.60	955.04	3.05	0.51	2.57	0.38	0.38	5.080	1.27	50	PHG D-376-XL-...
	190	38.00	965.20	3.05	0.51	2.57	0.38	0.38	5.080	1.27	50	PHG D-380-XL-...
	192	38.40	975.36	3.05	0.51	2.57	0.38	0.38	5.080	1.27	50	PHG D-384-XL-...
	195	39.00	990.60	3.05	0.51	2.57	0.38	0.38	5.080	1.27	50	PHG D-390-XL-...
	196	39.20	995.68	3.05	0.51	2.57	0.38	0.38	5.080	1.27	50	PHG D-392-XL-...
	200	40.00	1 016.00	3.05	0.51	2.57	0.38	0.38	5.080	1.27	50	PHG D-400-XL-...
	206	41.20	1 046.48	3.05	0.51	2.57	0.38	0.38	5.080	1.27	50	PHG D-412-XL-...
	207	41.40	1 051.56	3.05	0.51	2.57	0.38	0.38	5.080	1.27	50	PHG D-414-XL-...

Non-standard lengths may also be available.  
 To complete designation add three digits for belt width in 1/100ths of an inch; e.g. for a 1/4" width add 025 or for a 3/8" width add 037.  
 Full sleeves are available in various widths. Please contact your SKF Authorized Distributor.



# SKF Double-sided Classical Timing Belts

D-L | D-H



Section	Number of teeth per side	Dimensions		h	A	B	C	D	p	E	α	Designation
		Pitch length										
		in.	mm									
D-L	153	57.38	1 457.33	4.57	0.76	4.65	0.51	0.51	9.525	1.91	40	PHG D-574-L-...
	155	58.13	1 476.38	4.57	0.76	4.65	0.51	0.51	9.525	1.91	40	PHG D-581-L-...
	156	58.50	1 485.90	4.57	0.76	4.65	0.51	0.51	9.525	1.91	40	PHG D-585-L-...
	160	60.00	1 524.00	4.57	0.76	4.65	0.51	0.51	9.525	1.91	40	PHG D-600-L-...
	165	61.90	1 572.26	4.57	0.76	4.65	0.51	0.51	9.525	1.91	40	PHG D-619-L-...
	168	63.00	1 600.20	4.57	0.76	4.65	0.51	0.51	9.525	1.91	40	PHG D-630-L-...
	169	63.40	1 610.36	4.57	0.76	4.65	0.51	0.51	9.525	1.91	40	PHG D-634-L-...
	176	66.00	1 676.40	4.57	0.76	4.65	0.51	0.51	9.525	1.91	40	PHG D-660-L-...
D-H	40	20.00	508.00	5.95	1.37	6.12	1.02	1.02	12.700	2.29	40	PHG D-200-H-...
	41	20.50	520.70	5.95	1.37	6.12	1.02	1.02	12.700	2.29	40	PHG D-205-H-...
	42	21.00	533.40	5.95	1.37	6.12	1.02	1.02	12.700	2.29	40	PHG D-210-H-...
	44	22.00	558.80	5.95	1.37	6.12	1.02	1.02	12.700	2.29	40	PHG D-220-H-...
	45	22.50	571.50	5.95	1.37	6.12	1.02	1.02	12.700	2.29	40	PHG D-225-H-...
	46	23.00	584.20	5.95	1.37	6.12	1.02	1.02	12.700	2.29	40	PHG D-230-H-...
	48	24.00	609.60	5.95	1.37	6.12	1.02	1.02	12.700	2.29	40	PHG D-240-H-...
	49	24.50	622.30	5.95	1.37	6.12	1.02	1.02	12.700	2.29	40	PHG D-245-H-...
	49	24.50	622.30	5.95	1.37	6.12	1.02	1.02	12.700	2.29	40	PHG D-245-H-...
	50	25.00	635.00	5.95	1.37	6.12	1.02	1.02	12.700	2.29	40	PHG D-250-H-...
	51	25.50	647.70	5.95	1.37	6.12	1.02	1.02	12.700	2.29	40	PHG D-255-H-...
	52	26.00	660.40	5.95	1.37	6.12	1.02	1.02	12.700	2.29	40	PHG D-260-H-...
	54	27.00	685.80	5.95	1.37	6.12	1.02	1.02	12.700	2.29	40	PHG D-270-H-...
	56	28.00	711.20	5.95	1.37	6.12	1.02	1.02	12.700	2.29	40	PHG D-280-H-...
	57	28.50	723.90	5.95	1.37	6.12	1.02	1.02	12.700	2.29	40	PHG D-285-H-...
	58	29.00	736.60	5.95	1.37	6.12	1.02	1.02	12.700	2.29	40	PHG D-290-H-...
	60	30.00	762.00	5.95	1.37	6.12	1.02	1.02	12.700	2.29	40	PHG D-300-H-...
	62	31.00	787.40	5.95	1.37	6.12	1.02	1.02	12.700	2.29	40	PHG D-310-H-...
	63	31.50	800.10	5.95	1.37	6.12	1.02	1.02	12.700	2.29	40	PHG D-315-H-...
	64	32.00	812.80	5.95	1.37	6.12	1.02	1.02	12.700	2.29	40	PHG D-320-H-...
	65	32.50	825.50	5.95	1.37	6.12	1.02	1.02	12.700	2.29	40	PHG D-325-H-...
	66	33.00	838.20	5.95	1.37	6.12	1.02	1.02	12.700	2.29	40	PHG D-330-H-...
	67	33.50	850.90	5.95	1.37	6.12	1.02	1.02	12.700	2.29	40	PHG D-335-H-...
	68	34.00	863.60	5.95	1.37	6.12	1.02	1.02	12.700	2.29	40	PHG D-340-H-...
	69	34.50	876.30	5.95	1.37	6.12	1.02	1.02	12.700	2.29	40	PHG D-345-H-...
	70	35.00	889.00	5.95	1.37	6.12	1.02	1.02	12.700	2.29	40	PHG D-350-H-...
	71	35.50	901.70	5.95	1.37	6.12	1.02	1.02	12.700	2.29	40	PHG D-355-H-...
	72	36.00	914.40	5.95	1.37	6.12	1.02	1.02	12.700	2.29	40	PHG D-360-H-...
	73	36.50	927.10	5.95	1.37	6.12	1.02	1.02	12.700	2.29	40	PHG D-365-H-...
	74	37.00	939.80	5.95	1.37	6.12	1.02	1.02	12.700	2.29	40	PHG D-370-H-...
	75	37.50	952.50	5.95	1.37	6.12	1.02	1.02	12.700	2.29	40	PHG D-375-H-...
	76	38.00	965.20	5.95	1.37	6.12	1.02	1.02	12.700	2.29	40	PHG D-380-H-...
	78	39.00	990.60	5.95	1.37	6.12	1.02	1.02	12.700	2.29	40	PHG D-390-H-...
	79	39.50	1 003.30	5.95	1.37	6.12	1.02	1.02	12.700	2.29	40	PHG D-395-H-...
	80	40.00	1 016.00	5.95	1.37	6.12	1.02	1.02	12.700	2.29	40	PHG D-400-H-...
	81	40.50	1 028.70	5.95	1.37	6.12	1.02	1.02	12.700	2.29	40	PHG D-405-H-...
	82	41.00	1 041.40	5.95	1.37	6.12	1.02	1.02	12.700	2.29	40	PHG D-410-H-...
	84	42.00	1 066.80	5.95	1.37	6.12	1.02	1.02	12.700	2.29	40	PHG D-420-H-...
	85	42.50	1 079.50	5.95	1.37	6.12	1.02	1.02	12.700	2.29	40	PHG D-425-H-...
	86	43.00	1 092.20	5.95	1.37	6.12	1.02	1.02	12.700	2.29	40	PHG D-430-H-...
	89	44.50	1 130.30	5.95	1.37	6.12	1.02	1.02	12.700	2.29	40	PHG D-445-H-...
	90	45.00	1 143.00	5.95	1.37	6.12	1.02	1.02	12.700	2.29	40	PHG D-450-H-...
	92	46.00	1 168.40	5.95	1.37	6.12	1.02	1.02	12.700	2.29	40	PHG D-460-H-...
	93	46.50	1 181.10	5.95	1.37	6.12	1.02	1.02	12.700	2.29	40	PHG D-465-H-...
	94	47.00	1 193.80	5.95	1.37	6.12	1.02	1.02	12.700	2.29	40	PHG D-470-H-...
	96	48.00	1 219.20	5.95	1.37	6.12	1.02	1.02	12.700	2.29	40	PHG D-480-H-...

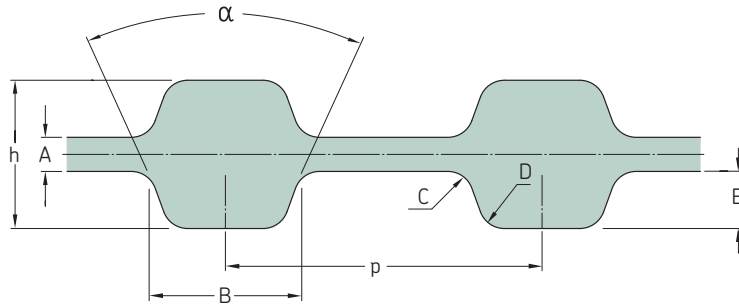
Non-standard lengths may also be available.  
 To complete designation add three digits for belt width in 1/100ths of an inch; e.g. for a 1/4" width add 025 or for a 3/8" width add 037.  
 Full sleeves are available in various widths. Please contact your SKF Authorized Distributor.





# SKF Double-sided Classical Timing Belts

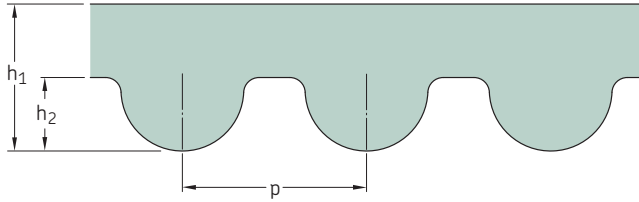
D-H



Section	Number of teeth per side	Dimensions		h	A	B	C	D	p	E	α	Designation
		Pitch length	Pitch length									
-	-	in.	mm								°	-
D-H	280	140.00	3 556,00	5,95	1,37	6,12	1,02	1,02	12,700	2,29	40	PHG D-1400-H-...
	288	144.00	3 657,60	5,95	1,37	6,12	1,02	1,02	12,700	2,29	40	PHG D-1440-H-...
	290	145.00	3 683,00	5,95	1,37	6,12	1,02	1,02	12,700	2,29	40	PHG D-1450-H-...
	292	146.00	3 708,40	5,95	1,37	6,12	1,02	1,02	12,700	2,29	40	PHG D-1460-H-...
	302	151.00	3 835,40	5,95	1,37	6,12	1,02	1,02	12,700	2,29	40	PHG D-1510-H-...
	307	153.50	3 898,90	5,95	1,37	6,12	1,02	1,02	12,700	2,29	40	PHG D-1535-H-...
	310	155.00	3 937,00	5,95	1,37	6,12	1,02	1,02	12,700	2,29	40	PHG D-1550-H-...
	312	156.00	3 962,40	5,95	1,37	6,12	1,02	1,02	12,700	2,29	40	PHG D-1560-H-...
	320	160.00	4 064,00	5,95	1,37	6,12	1,02	1,02	12,700	2,29	40	PHG D-1600-H-...
	326	163.00	4 140,20	5,95	1,37	6,12	1,02	1,02	12,700	2,29	40	PHG D-1630-H-...
	332	166.00	4 216,40	5,95	1,37	6,12	1,02	1,02	12,700	2,29	40	PHG D-1660-H-...
	336	168.00	4 267,20	5,95	1,37	6,12	1,02	1,02	12,700	2,29	40	PHG D-1680-H-...
	340	170.00	4 318,00	5,95	1,37	6,12	1,02	1,02	12,700	2,29	40	PHG D-1700-H-...
	350	175.00	4 445,00	5,95	1,37	6,12	1,02	1,02	12,700	2,29	40	PHG D-1750-H-...
	353	176.50	4 483,10	5,95	1,37	6,12	1,02	1,02	12,700	2,29	40	PHG D-1765-H-...
	371	185.50	4 711,70	5,95	1,37	6,12	1,02	1,02	12,700	2,29	40	PHG D-1855-H-...
	440	220.00	5 588,00	5,95	1,37	6,12	1,02	1,02	12,700	2,29	40	PHG D-2200-H-...
	442	221.00	5 613,40	5,95	1,37	6,12	1,02	1,02	12,700	2,29	40	PHG D-2210-H-...
	472	236.00	5 994,40	5,95	1,37	6,12	1,02	1,02	12,700	2,29	40	PHG D-2360-H-...
	500	250.00	6 350,00	5,95	1,37	6,12	1,02	1,02	12,700	2,29	40	PHG D-2500-H-...
520	260.00	6 604,00	5,95	1,37	6,12	1,02	1,02	12,700	2,29	40	PHG D-2600-H-...	
536	268.00	6 807,20	5,95	1,37	6,12	1,02	1,02	12,700	2,29	40	PHG D-2680-H-...	
540	270.00	6 858,00	5,95	1,37	6,12	1,02	1,02	12,700	2,29	40	PHG D-2700-H-...	
544	272.00	6 908,80	5,95	1,37	6,12	1,02	1,02	12,700	2,29	40	PHG D-2720-H-...	

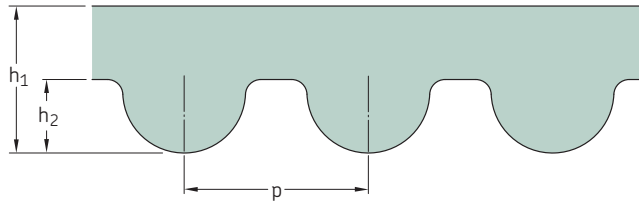
Non-standard lengths may also be available.  
 To complete designation add three digits for belt width in 1/100ths of an inch; e.g. for a 1/4" width add 025 or for a 3/8" width add 037.  
 Full sleeves are available in various widths. Please contact your SKF Authorized Distributor.





Section	Number of teeth per side	Dimensions			Designation	Section	Number of teeth per side	Dimensions			Designation	
		Pitch length	$h_1$	$h_2$				$p$	Pitch length	$h_1$		$h_2$
		mm					mm					
3M	20	60	2,4	1,20	3,0	PHG 60-3M-...	97	291	2,4	1,20	3,0	PHG 291-3M-...
	27	81	2,4	1,20	3,0	PHG 81-3M-...	98	294	2,4	1,20	3,0	PHG 294-3M-...
	29	87	2,4	1,20	3,0	PHG 87-3M-...	99	297	2,4	1,20	3,0	PHG 297-3M-...
	30	90	2,4	1,20	3,0	PHG 90-3M-...	100	300	2,4	1,20	3,0	PHG 300-3M-...
	33	99	2,4	1,20	3,0	PHG 99-3M-...	102	306	2,4	1,20	3,0	PHG 306-3M-...
	34	102	2,4	1,20	3,0	PHG 102-3M-...	103	309	2,4	1,20	3,0	PHG 309-3M-...
	37	111	2,4	1,20	3,0	PHG 111-3M-...	104	312	2,4	1,20	3,0	PHG 312-3M-...
	39	117	2,4	1,20	3,0	PHG 117-3M-...	106	318	2,4	1,20	3,0	PHG 318-3M-...
	40	120	2,4	1,20	3,0	PHG 120-3M-...	108	324	2,4	1,20	3,0	PHG 324-3M-...
	43	129	2,4	1,20	3,0	PHG 129-3M-...	109	327	2,4	1,20	3,0	PHG 327-3M-...
	44	132	2,4	1,20	3,0	PHG 132-3M-...	110	330	2,4	1,20	3,0	PHG 330-3M-...
	46	138	2,4	1,20	3,0	PHG 138-3M-...	111	333	2,4	1,20	3,0	PHG 333-3M-...
	47	141	2,4	1,20	3,0	PHG 141-3M-...	112	336	2,4	1,20	3,0	PHG 336-3M-...
	48	144	2,4	1,20	3,0	PHG 144-3M-...	113	339	2,4	1,20	3,0	PHG 339-3M-...
	50	150	2,4	1,20	3,0	PHG 150-3M-...	114	342	2,4	1,20	3,0	PHG 342-3M-...
	51	153	2,4	1,20	3,0	PHG 153-3M-...	115	345	2,4	1,20	3,0	PHG 345-3M-...
	52	156	2,4	1,20	3,0	PHG 156-3M-...	116	348	2,4	1,20	3,0	PHG 348-3M-...
	53	159	2,4	1,20	3,0	PHG 159-3M-...	119	357	2,4	1,20	3,0	PHG 357-3M-...
	54	162	2,4	1,20	3,0	PHG 162-3M-...	120	360	2,4	1,20	3,0	PHG 360-3M-...
	55	165	2,4	1,20	3,0	PHG 165-3M-...	121	363	2,4	1,20	3,0	PHG 363-3M-...
	56	168	2,4	1,20	3,0	PHG 168-3M-...	122	366	2,4	1,20	3,0	PHG 366-3M-...
	57	171	2,4	1,20	3,0	PHG 171-3M-...	125	375	2,4	1,20	3,0	PHG 375-3M-...
	58	174	2,4	1,20	3,0	PHG 174-3M-...	128	384	2,4	1,20	3,0	PHG 384-3M-...
	59	177	2,4	1,20	3,0	PHG 177-3M-...	130	390	2,4	1,20	3,0	PHG 390-3M-...
	60	180	2,4	1,20	3,0	PHG 180-3M-...	131	393	2,4	1,20	3,0	PHG 393-3M-...
	61	183	2,4	1,20	3,0	PHG 183-3M-...	132	396	2,4	1,20	3,0	PHG 396-3M-...
	62	186	2,4	1,20	3,0	PHG 186-3M-...	133	399	2,4	1,20	3,0	PHG 399-3M-...
	63	189	2,4	1,20	3,0	PHG 189-3M-...	140	420	2,4	1,20	3,0	PHG 420-3M-...
	64	192	2,4	1,20	3,0	PHG 192-3M-...	141	423	2,4	1,20	3,0	PHG 423-3M-...
	65	195	2,4	1,20	3,0	PHG 195-3M-...	142	426	2,4	1,20	3,0	PHG 426-3M-...
	66	198	2,4	1,20	3,0	PHG 198-3M-...	148	444	2,4	1,20	3,0	PHG 444-3M-...
	67	201	2,4	1,20	3,0	PHG 201-3M-...	149	447	2,4	1,20	3,0	PHG 447-3M-...
	68	204	2,4	1,20	3,0	PHG 204-3M-...	152	456	2,4	1,20	3,0	PHG 456-3M-...
	69	207	2,4	1,20	3,0	PHG 207-3M-...	153	459	2,4	1,20	3,0	PHG 459-3M-...
	70	210	2,4	1,20	3,0	PHG 210-3M-...	154	462	2,4	1,20	3,0	PHG 462-3M-...
	71	213	2,4	1,20	3,0	PHG 213-3M-...	156	468	2,4	1,20	3,0	PHG 468-3M-...
	74	222	2,4	1,20	3,0	PHG 222-3M-...	157	471	2,4	1,20	3,0	PHG 471-3M-...
	75	225	2,4	1,20	3,0	PHG 225-3M-...	158	474	2,4	1,20	3,0	PHG 474-3M-...
	76	228	2,4	1,20	3,0	PHG 228-3M-...	159	477	2,4	1,20	3,0	PHG 477-3M-...
	78	234	2,4	1,20	3,0	PHG 234-3M-...	160	480	2,4	1,20	3,0	PHG 480-3M-...
	79	237	2,4	1,20	3,0	PHG 237-3M-...	161	483	2,4	1,20	3,0	PHG 483-3M-...
	80	240	2,4	1,20	3,0	PHG 240-3M-...	162	486	2,4	1,20	3,0	PHG 486-3M-...
	82	246	2,4	1,20	3,0	PHG 246-3M-...	163	489	2,4	1,20	3,0	PHG 489-3M-...
	83	249	2,4	1,20	3,0	PHG 249-3M-...	164	492	2,4	1,20	3,0	PHG 492-3M-...
	84	252	2,4	1,20	3,0	PHG 252-3M-...	165	495	2,4	1,20	3,0	PHG 495-3M-...
	85	255	2,4	1,20	3,0	PHG 255-3M-...	167	501	2,4	1,20	3,0	PHG 501-3M-...
	86	258	2,4	1,20	3,0	PHG 258-3M-...	169	507	2,4	1,20	3,0	PHG 507-3M-...
	87	261	2,4	1,20	3,0	PHG 261-3M-...	170	510	2,4	1,20	3,0	PHG 510-3M-...
	88	264	2,4	1,20	3,0	PHG 264-3M-...	171	513	2,4	1,20	3,0	PHG 513-3M-...
	89	267	2,4	1,20	3,0	PHG 267-3M-...	173	519	2,4	1,20	3,0	PHG 519-3M-...
	90	270	2,4	1,20	3,0	PHG 270-3M-...	174	522	2,4	1,20	3,0	PHG 522-3M-...
	92	276	2,4	1,20	3,0	PHG 276-3M-...	177	531	2,4	1,20	3,0	PHG 531-3M-...
	94	282	2,4	1,20	3,0	PHG 282-3M-...	179	537	2,4	1,20	3,0	PHG 537-3M-...
	95	285	2,4	1,20	3,0	PHG 285-3M-...	180	540	2,4	1,20	3,0	PHG 540-3M-...
	96	288	2,4	1,20	3,0	PHG 288-3M-...	186	558	2,4	1,20	3,0	PHG 558-3M-...

Non-standard lengths may also be available.  
To complete designation add belt width in mm.  
Full sleeves are available in various widths. Please contact your SKF Authorized Distributor.



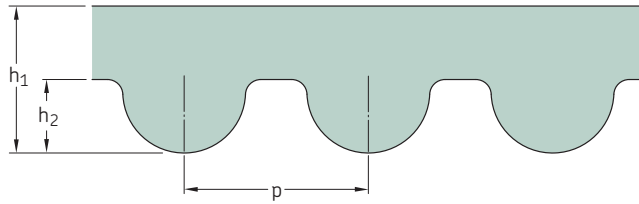
Section	Number of teeth per side	Dimensions			Designation	
		Pitch length	$h_1$	$h_2$		
		mm				
3M	188	564	2,4	1,20	3,0	PHG 564-3M-...
	190	570	2,4	1,20	3,0	PHG 570-3M-...
	191	573	2,4	1,20	3,0	PHG 573-3M-...
	192	576	2,4	1,20	3,0	PHG 576-3M-...
	193	579	2,4	1,20	3,0	PHG 579-3M-...
	194	582	2,4	1,20	3,0	PHG 582-3M-...
	197	591	2,4	1,20	3,0	PHG 591-3M-...
	199	597	2,4	1,20	3,0	PHG 597-3M-...
	200	600	2,4	1,20	3,0	PHG 600-3M-...
	202	606	2,4	1,20	3,0	PHG 606-3M-...
	203	609	2,4	1,20	3,0	PHG 609-3M-...
	204	612	2,4	1,20	3,0	PHG 612-3M-...
	210	630	2,4	1,20	3,0	PHG 630-3M-...
	211	633	2,4	1,20	3,0	PHG 633-3M-...
	213	639	2,4	1,20	3,0	PHG 639-3M-...
	216	648	2,4	1,20	3,0	PHG 648-3M-...
	218	654	2,4	1,20	3,0	PHG 654-3M-...
	219	657	2,4	1,20	3,0	PHG 657-3M-...
	223	669	2,4	1,20	3,0	PHG 669-3M-...
	225	675	2,4	1,20	3,0	PHG 675-3M-...
	228	684	2,4	1,20	3,0	PHG 684-3M-...
	233	699	2,4	1,20	3,0	PHG 699-3M-...
	233	699	2,4	1,20	3,0	PHG 699-3M-...
	236	708	2,4	1,20	3,0	PHG 708-3M-...
	237	711	2,4	1,20	3,0	PHG 711-3M-...
	240	720	2,4	1,20	3,0	PHG 720-3M-...
	250	750	2,4	1,20	3,0	PHG 750-3M-...
	251	753	2,4	1,20	3,0	PHG 753-3M-...
	267	801	2,4	1,20	3,0	PHG 801-3M-...
	268	804	2,4	1,20	3,0	PHG 804-3M-...
	271	813	2,4	1,20	3,0	PHG 813-3M-...
	274	822	2,4	1,20	3,0	PHG 822-3M-...
	281	843	2,4	1,20	3,0	PHG 843-3M-...
	295	885	2,4	1,20	3,0	PHG 885-3M-...
	313	939	2,4	1,20	3,0	PHG 939-3M-...
	323	969	2,4	1,20	3,0	PHG 969-3M-...
375	1 125	2,4	1,20	3,0	PHG 1125-3M-...	
403	1 209	2,4	1,20	3,0	PHG 1209-3M-...	
415	1 245	2,4	1,20	3,0	PHG 1245-3M-...	
421	1 263	2,4	1,20	3,0	PHG 1263-3M-...	
448	1 344	2,4	1,20	3,0	PHG 1344-3M-...	
467	1 401	2,4	1,20	3,0	PHG 1401-3M-...	
523	1 569	2,4	1,20	3,0	PHG 1569-3M-...	
529	1 587	2,4	1,20	3,0	PHG 1587-3M-...	
600	1 800	2,4	1,20	3,0	PHG 1800-3M-...	
650	1 950	2,4	1,20	3,0	PHG 1950-3M-...	
720	2 160	2,4	1,20	3,0	PHG 2160-3M-...	
796	2 388	2,4	1,20	3,0	PHG 2388-3M-...	
880	2 640	2,4	1,20	3,0	PHG 2640-3M-...	
1 000	3 000	2,4	1,20	3,0	PHG 3000-3M-...	
1 070	3 210	2,4	1,20	3,0	PHG 3210-3M-...	
1 130	3 390	2,4	1,20	3,0	PHG 3390-3M-...	
2 268	6 804	2,4	1,20	3,0	PHG 6804-3M-...	

Section	Number of teeth per side	Dimensions			Designation	
		Pitch length	$h_1$	$h_2$		
		mm				
5M	40	200	3,6	2,10	5,0	PHG 200-5M-...
	42	210	3,6	2,10	5,0	PHG 210-5M-...
	43	215	3,6	2,10	5,0	PHG 215-5M-...
	45	225	3,6	2,10	5,0	PHG 225-5M-...
	46	230	3,6	2,10	5,0	PHG 230-5M-...
	47	235	3,6	2,10	5,0	PHG 235-5M-...
	49	245	3,6	2,10	5,0	PHG 245-5M-...
	50	250	3,6	2,10	5,0	PHG 250-5M-...
	51	255	3,6	2,10	5,0	PHG 255-5M-...
	52	260	3,6	2,10	5,0	PHG 260-5M-...
	53	265	3,6	2,10	5,0	PHG 265-5M-...
	54	270	3,6	2,10	5,0	PHG 270-5M-...
	56	280	3,6	2,10	5,0	PHG 280-5M-...
	57	285	3,6	2,10	5,0	PHG 285-5M-...
	59	295	3,6	2,10	5,0	PHG 295-5M-...
	60	300	3,6	2,10	5,0	PHG 300-5M-...
	61	305	3,6	2,10	5,0	PHG 305-5M-...
	62	310	3,6	2,10	5,0	PHG 310-5M-...
	64	320	3,6	2,10	5,0	PHG 320-5M-...
	65	325	3,6	2,10	5,0	PHG 325-5M-...
66	330	3,6	2,10	5,0	PHG 330-5M-...	
68	340	3,6	2,10	5,0	PHG 340-5M-...	
69	345	3,6	2,10	5,0	PHG 345-5M-...	
70	350	3,6	2,10	5,0	PHG 350-5M-...	
72	360	3,6	2,10	5,0	PHG 360-5M-...	
73	365	3,6	2,10	5,0	PHG 365-5M-...	
74	370	3,6	2,10	5,0	PHG 370-5M-...	
75	375	3,6	2,10	5,0	PHG 375-5M-...	
76	380	3,6	2,10	5,0	PHG 380-5M-...	
77	385	3,6	2,10	5,0	PHG 385-5M-...	
78	390	3,6	2,10	5,0	PHG 390-5M-...	
79	395	3,6	2,10	5,0	PHG 395-5M-...	
80	400	3,6	2,10	5,0	PHG 400-5M-...	
80	400	3,6	2,10	5,0	PHG 405-5M-...	
82	410	3,6	2,10	5,0	PHG 410-5M-...	
84	420	3,6	2,10	5,0	PHG 420-5M-...	
85	425	3,6	2,10	5,0	PHG 425-5M-...	
86	430	3,6	2,10	5,0	PHG 430-5M-...	
87	435	3,6	2,10	5,0	PHG 435-5M-...	
88	440	3,6	2,10	5,0	PHG 440-5M-...	
89	445	3,6	2,10	5,0	PHG 445-5M-...	
90	450	3,6	2,10	5,0	PHG 450-5M-...	
92	460	3,6	2,10	5,0	PHG 460-5M-...	
93	465	3,6	2,10	5,0	PHG 465-5M-...	
94	470	3,6	2,10	5,0	PHG 470-5M-...	
95	475	3,6	2,10	5,0	PHG 475-5M-...	
96	480	3,6	2,10	5,0	PHG 480-5M-...	
98	490	3,6	2,10	5,0	PHG 490-5M-...	
100	500	3,6	2,10	5,0	PHG 500-5M-...	
101	505	3,6	2,10	5,0	PHG 505-5M-...	
102	510	3,6	2,10	5,0	PHG 510-5M-...	
104	520	3,6	2,10	5,0	PHG 520-5M-...	
105	525	3,6	2,10	5,0	PHG 525-5M-...	
106	530	3,6	2,10	5,0	PHG 530-5M-...	
107	535	3,6	2,10	5,0	PHG 535-5M-...	

Non-standard lengths may also be available.  
 To complete designation add belt width in mm.  
 Full sleeves are available in various widths. Please contact your SKF Authorized Distributor.

Section	Number of teeth per side	Dimensions			Designation	Section	Number of teeth per side	Dimensions			Designation		
		Pitch length	$h_1$	$h_2$				$p$	Pitch length	$h_1$		$h_2$	$p$
-	-	mm	-	-	-	-	-	mm	-	-	-		
5M	108	540	3,6	2,10	5,0	PHG 540-5M-...	5M	254	1 270	3,6	2,10	5,0	PHG 1270-5M-...
	110	550	3,6	2,10	5,0	PHG 550-5M-...		258	1 290	3,6	2,10	5,0	PHG 1290-5M-...
	112	560	3,6	2,10	5,0	PHG 560-5M-...		259	1 295	3,6	2,10	5,0	PHG 1295-5M-...
	113	565	3,6	2,10	5,0	PHG 565-5M-...		260	1 300	3,6	2,10	5,0	PHG 1300-5M-...
	114	570	3,6	2,10	5,0	PHG 570-5M-...		268	1 340	3,6	2,10	5,0	PHG 1340-5M-...
	115	575	3,6	2,10	5,0	PHG 575-5M-...		270	1 350	3,6	2,10	5,0	PHG 1350-5M-...
	116	580	3,6	2,10	5,0	PHG 580-5M-...		275	1 375	3,6	2,10	5,0	PHG 1375-5M-...
	117	585	3,6	2,10	5,0	PHG 585-5M-...		280	1 400	3,6	2,10	5,0	PHG 1400-5M-...
	118	590	3,6	2,10	5,0	PHG 590-5M-...		282	1 410	3,6	2,10	5,0	PHG 1410-5M-...
	120	600	3,6	2,10	5,0	PHG 600-5M-...		284	1 420	3,6	2,10	5,0	PHG 1420-5M-...
	121	605	3,6	2,10	5,0	PHG 605-5M-...		290	1 450	3,6	2,10	5,0	PHG 1450-5M-...
	122	610	3,6	2,10	5,0	PHG 610-5M-...		291	1 455	3,6	2,10	5,0	PHG 1455-5M-...
	123	615	3,6	2,10	5,0	PHG 615-5M-...		300	1 500	3,6	2,10	5,0	PHG 1500-5M-...
	124	620	3,6	2,10	5,0	PHG 620-5M-...		319	1 595	3,6	2,10	5,0	PHG 1595-5M-...
	125	625	3,6	2,10	5,0	PHG 625-5M-...		320	1 600	3,6	2,10	5,0	PHG 1600-5M-...
126	630	3,6	2,10	5,0	PHG 630-5M-...	337	1 685	3,6	2,10	5,0	PHG 1685-5M-...		
127	635	3,6	2,10	5,0	PHG 635-5M-...	338	1 690	3,6	2,10	5,0	PHG 1690-5M-...		
128	640	3,6	2,10	5,0	PHG 640-5M-...	340	1 700	3,6	2,10	5,0	PHG 1700-5M-...		
129	645	3,6	2,10	5,0	PHG 645-5M-...	346	1 730	3,6	2,10	5,0	PHG 1730-5M-...		
130	650	3,6	2,10	5,0	PHG 650-5M-...	354	1 770	3,6	2,10	5,0	PHG 1770-5M-...		
131	655	3,6	2,10	5,0	PHG 655-5M-...	358	1 790	3,6	2,10	5,0	PHG 1790-5M-...		
133	665	3,6	2,10	5,0	PHG 665-5M-...	360	1 800	3,6	2,10	5,0	PHG 1800-5M-...		
134	670	3,6	2,10	5,0	PHG 670-5M-...	374	1 870	3,6	2,10	5,0	PHG 1870-5M-...		
135	675	3,6	2,10	5,0	PHG 675-5M-...	379	1 895	3,6	2,10	5,0	PHG 1895-5M-...		
137	685	3,6	2,10	5,0	PHG 685-5M-...	389	1 945	3,6	2,10	5,0	PHG 1945-5M-...		
138	690	3,6	2,10	5,0	PHG 690-5M-...	400	2 000	3,6	2,10	5,0	PHG 2000-5M-...		
139	695	3,6	2,10	5,0	PHG 695-5M-...	410	2 050	3,6	2,10	5,0	PHG 2050-5M-...		
140	700	3,6	2,10	5,0	PHG 700-5M-...	420	2 100	3,6	2,10	5,0	PHG 2100-5M-...		
142	710	3,6	2,10	5,0	PHG 710-5M-...	432	2 160	3,6	2,10	5,0	PHG 2160-5M-...		
142	710	3,6	2,10	5,0	PHG 715-5M-...	450	2 250	3,6	2,10	5,0	PHG 2250-5M-...		
144	720	3,6	2,10	5,0	PHG 720-5M-...	470	2 350	3,6	2,10	5,0	PHG 2350-5M-...		
145	725	3,6	2,10	5,0	PHG 725-5M-...	474	2 370	3,6	2,10	5,0	PHG 2370-5M-...		
148	740	3,6	2,10	5,0	PHG 740-5M-...	492	2 460	3,6	2,10	5,0	PHG 2460-5M-...		
149	745	3,6	2,10	5,0	PHG 745-5M-...	505	2 525	3,6	2,10	5,0	PHG 2525-5M-...		
150	750	3,6	2,10	5,0	PHG 750-5M-...	527	2 635	3,6	2,10	5,0	PHG 2635-5M-...		
151	755	3,6	2,10	5,0	PHG 755-5M-...	605	3 025	3,6	2,10	5,0	PHG 3025-5M-...		
154	770	3,6	2,10	5,0	PHG 770-5M-...	612	3 060	3,6	2,10	5,0	PHG 3060-5M-...		
155	775	3,6	2,10	5,0	PHG 775-5M-...	651	3 255	3,6	2,10	5,0	PHG 3255-5M-...		
156	780	3,6	2,10	5,0	PHG 780-5M-...	686	3 430	3,6	2,10	5,0	PHG 3430-5M-...		
158	790	3,6	2,10	5,0	PHG 790-5M-...	732	3 660	3,6	2,10	5,0	PHG 3660-5M-...		
160	800	3,6	2,10	5,0	PHG 800-5M-...	750	3 750	3,6	2,10	5,0	PHG 3750-5M-...		
162	810	3,6	2,10	5,0	PHG 810-5M-...	754	3 770	3,6	2,10	5,0	PHG 3770-5M-...		
165	825	3,6	2,10	5,0	PHG 825-5M-...	760	3 800	3,6	2,10	5,0	PHG 3800-5M-...		
166	830	3,6	2,10	5,0	PHG 830-5M-...	852	4 260	3,6	2,10	5,0	PHG 4260-5M-...		
167	835	3,6	2,10	5,0	PHG 835-5M-...	1 060	5 300	3,6	2,10	5,0	PHG 5300-5M-...		
170	850	3,6	2,10	5,0	PHG 850-5M-...	8M	1 400	7 000	3,6	2,10	5,0	PHG 7000-5M-...	
172	860	3,6	2,10	5,0	PHG 860-5M-...		23	184	5,6	3,88	8,0	PHG 184-8M-...	
174	870	3,6	2,10	5,0	PHG 870-5M-...		36	288	5,6	3,88	8,0	PHG 288-8M-...	
178	890	3,6	2,10	5,0	PHG 890-5M-...		40	320	5,6	3,88	8,0	PHG 320-8M-...	
180	900	3,6	2,10	5,0	PHG 900-5M-...		41	328	5,6	3,88	8,0	PHG 328-8M-...	
182	910	3,6	2,10	5,0	PHG 910-5M-...	42	336	5,6	3,88	8,0	PHG 336-8M-...		
184	920	3,6	2,10	5,0	PHG 920-5M-...	46	368	5,6	3,88	8,0	PHG 368-8M-...		
185	925	3,6	2,10	5,0	PHG 925-5M-...	47	376	5,6	3,88	8,0	PHG 376-8M-...		
187	935	3,6	2,10	5,0	PHG 935-5M-...	48	384	5,6	3,88	8,0	PHG 384-8M-...		
188	940	3,6	2,10	5,0	PHG 940-5M-...	50	400	5,6	3,88	8,0	PHG 400-8M-...		
190	950	3,6	2,10	5,0	PHG 950-5M-...	51	408	5,6	3,88	8,0	PHG 408-8M-...		
192	960	3,6	2,10	5,0	PHG 960-5M-...	52	416	5,6	3,88	8,0	PHG 416-8M-...		
193	965	3,6	2,10	5,0	PHG 965-5M-...	53	424	5,6	3,88	8,0	PHG 424-8M-...		
195	975	3,6	2,10	5,0	PHG 975-5M-...	55	440	5,6	3,88	8,0	PHG 440-8M-...		
196	980	3,6	2,10	5,0	PHG 980-5M-...	56	448	5,6	3,88	8,0	PHG 448-8M-...		
200	1 000	3,6	2,10	5,0	PHG 1000-5M-...	59	472	5,6	3,88	8,0	PHG 472-8M-...		
205	1 025	3,6	2,10	5,0	PHG 1025-5M-...	60	480	5,6	3,88	8,0	PHG 480-8M-...		
207	1 035	3,6	2,10	5,0	PHG 1035-5M-...	64	512	5,6	3,88	8,0	PHG 512-8M-...		
210	1 050	3,6	2,10	5,0	PHG 1050-5M-...	65	520	5,6	3,88	8,0	PHG 520-8M-...		
220	1 100	3,6	2,10	5,0	PHG 1100-5M-...	67	536	5,6	3,88	8,0	PHG 536-8M-...		
223	1 115	3,6	2,10	5,0	PHG 1115-5M-...	68	544	5,6	3,88	8,0	PHG 544-8M-...		
225	1 125	3,6	2,10	5,0	PHG 1125-5M-...	70	560	5,6	3,88	8,0	PHG 560-8M-...		
227	1 135	3,6	2,10	5,0	PHG 1135-5M-...	71	568	5,6	3,88	8,0	PHG 568-8M-...		
229	1 145	3,6	2,10	5,0	PHG 1145-5M-...	72	576	5,6	3,88	8,0	PHG 576-8M-...		
235	1 175	3,6	2,10	5,0	PHG 1175-5M-...	73	584	5,6	3,88	8,0	PHG 584-8M-...		
236	1 180	3,6	2,10	5,0	PHG 1180-5M-...	74	592	5,6	3,88	8,0	PHG 592-8M-...		
239	1 195	3,6	2,10	5,0	PHG 1195-5M-...	75	600	5,6	3,88	8,0	PHG 600-8M-...		
240	1 200	3,6	2,10	5,0	PHG 1200-5M-...	76	608	5,6	3,88	8,0	PHG 608-8M-...		
242	1 210	3,6	2,10	5,0	PHG 1210-5M-...	78	624	5,6	3,88	8,0	PHG 624-8M-...		
245	1 225	3,6	2,10	5,0	PHG 1225-5M-...	79	632	5,6	3,88	8,0	PHG 632-8M-...		
250	1 250	3,6	2,10	5,0	PHG 1250-5M-...	80	640	5,6	3,88	8,0	PHG 640-8M-...		

Non-standard lengths may also be available.  
 To complete designation add belt width in mm.  
 Full sleeves are available in various widths. Please contact your SKF Authorized Distributor.



Section	Number of teeth per side	Dimensions			Designation	Section	Number of teeth per side	Dimensions			Designation		
		Pitch length	$h_1$	$h_2$				$p$	Pitch length	$h_1$		$h_2$	$p$
		mm					mm						
8M	81	648	5,6	3,88	8,0	PHG 648-8M-...	8M	157	1 256	5,6	3,88	8,0	PHG 1256-8M-...
	82	656	5,6	3,88	8,0	PHG 656-8M-...		158	1 264	5,6	3,88	8,0	PHG 1264-8M-...
	85	680	5,6	3,88	8,0	PHG 680-8M-...		159	1 272	5,6	3,88	8,0	PHG 1272-8M-...
	86	688	5,6	3,88	8,0	PHG 688-8M-...		160	1 280	5,6	3,88	8,0	PHG 1280-8M-...
	87	696	5,6	3,88	8,0	PHG 696-8M-...		163	1 304	5,6	3,88	8,0	PHG 1304-8M-...
	89	712	5,6	3,88	8,0	PHG 712-8M-...		164	1 312	5,6	3,88	8,0	PHG 1312-8M-...
	90	720	5,6	3,88	8,0	PHG 720-8M-...		165	1 320	5,6	3,88	8,0	PHG 1320-8M-...
	91	728	5,6	3,88	8,0	PHG 728-8M-...		166	1 328	5,6	3,88	8,0	PHG 1328-8M-...
	92	736	5,6	3,88	8,0	PHG 736-8M-...		168	1 344	5,6	3,88	8,0	PHG 1344-8M-...
	95	760	5,6	3,88	8,0	PHG 760-8M-...		169	1 352	5,6	3,88	8,0	PHG 1352-8M-...
	97	776	5,6	3,88	8,0	PHG 776-8M-...		170	1 360	5,6	3,88	8,0	PHG 1360-8M-...
	98	784	5,6	3,88	8,0	PHG 784-8M-...		172	1 376	5,6	3,88	8,0	PHG 1376-8M-...
	99	792	5,6	3,88	8,0	PHG 792-8M-...		174	1 392	5,6	3,88	8,0	PHG 1392-8M-...
	100	800	5,6	3,88	8,0	PHG 800-8M-...		175	1 400	5,6	3,88	8,0	PHG 1400-8M-...
	102	816	5,6	3,88	8,0	PHG 816-8M-...		177	1 416	5,6	3,88	8,0	PHG 1416-8M-...
	103	824	5,6	3,88	8,0	PHG 824-8M-...		178	1 424	5,6	3,88	8,0	PHG 1424-8M-...
	105	840	5,6	3,88	8,0	PHG 840-8M-...		179	1 432	5,6	3,88	8,0	PHG 1432-8M-...
	106	848	5,6	3,88	8,0	PHG 848-8M-...		180	1 440	5,6	3,88	8,0	PHG 1440-8M-...
	107	856	5,6	3,88	8,0	PHG 856-8M-...		182	1 456	5,6	3,88	8,0	PHG 1456-8M-...
	108	864	5,6	3,88	8,0	PHG 864-8M-...		183	1 464	5,6	3,88	8,0	PHG 1464-8M-...
	109	872	5,6	3,88	8,0	PHG 872-8M-...		185	1 480	5,6	3,88	8,0	PHG 1480-8M-...
	110	880	5,6	3,88	8,0	PHG 880-8M-...		189	1 512	5,6	3,88	8,0	PHG 1512-8M-...
	112	896	5,6	3,88	8,0	PHG 896-8M-...		190	1 520	5,6	3,88	8,0	PHG 1520-8M-...
	114	912	5,6	3,88	8,0	PHG 912-8M-...		192	1 536	5,6	3,88	8,0	PHG 1536-8M-...
	115	920	5,6	3,88	8,0	PHG 920-8M-...		194	1 552	5,6	3,88	8,0	PHG 1552-8M-...
	116	928	5,6	3,88	8,0	PHG 928-8M-...		195	1 560	5,6	3,88	8,0	PHG 1560-8M-...
	117	936	5,6	3,88	8,0	PHG 936-8M-...		197	1 576	5,6	3,88	8,0	PHG 1576-8M-...
	118	944	5,6	3,88	8,0	PHG 944-8M-...		200	1 600	5,6	3,88	8,0	PHG 1600-8M-...
	119	952	5,6	3,88	8,0	PHG 952-8M-...		205	1 640	5,6	3,88	8,0	PHG 1640-8M-...
	120	960	5,6	3,88	8,0	PHG 960-8M-...		206	1 648	5,6	3,88	8,0	PHG 1648-8M-...
	121	968	5,6	3,88	8,0	PHG 968-8M-...		210	1 680	5,6	3,88	8,0	PHG 1680-8M-...
	122	976	5,6	3,88	8,0	PHG 976-8M-...		212	1 696	5,6	3,88	8,0	PHG 1696-8M-...
	125	1 000	5,6	3,88	8,0	PHG 1000-8M-...		216	1 728	5,6	3,88	8,0	PHG 1728-8M-...
	127	1 016	5,6	3,88	8,0	PHG 1016-8M-...		220	1 760	5,6	3,88	8,0	PHG 1760-8M-...
	128	1 024	5,6	3,88	8,0	PHG 1024-8M-...		223	1 784	5,6	3,88	8,0	PHG 1784-8M-...
	130	1 040	5,6	3,88	8,0	PHG 1040-8M-...		224	1 792	5,6	3,88	8,0	PHG 1792-8M-...
	132	1 056	5,6	3,88	8,0	PHG 1056-8M-...		225	1 800	5,6	3,88	8,0	PHG 1800-8M-...
	133	1 064	5,6	3,88	8,0	PHG 1064-8M-...		232	1 856	5,6	3,88	8,0	PHG 1856-8M-...
	135	1 080	5,6	3,88	8,0	PHG 1080-8M-...		237	1 896	5,6	3,88	8,0	PHG 1896-8M-...
	138	1 104	5,6	3,88	8,0	PHG 1104-8M-...		238	1 904	5,6	3,88	8,0	PHG 1904-8M-...
	139	1 112	5,6	3,88	8,0	PHG 1112-8M-...		240	1 920	5,6	3,88	8,0	PHG 1920-8M-...
	140	1 120	5,6	3,88	8,0	PHG 1120-8M-...		242	1 936	5,6	3,88	8,0	PHG 1936-8M-...
	141	1 128	5,6	3,88	8,0	PHG 1128-8M-...		244	1 952	5,6	3,88	8,0	PHG 1952-8M-...
	142	1 136	5,6	3,88	8,0	PHG 1136-8M-...		250	2 000	5,6	3,88	8,0	PHG 2000-8M-...
	144	1 152	5,6	3,88	8,0	PHG 1152-8M-...		260	2 080	5,6	3,88	8,0	PHG 2080-8M-...
	145	1 160	5,6	3,88	8,0	PHG 1160-8M-...		262	2 096	5,6	3,88	8,0	PHG 2096-8M-...
	146	1 168	5,6	3,88	8,0	PHG 1168-8M-...		263	2 104	5,6	3,88	8,0	PHG 2104-8M-...
	148	1 184	5,6	3,88	8,0	PHG 1184-8M-...		267	2 136	5,6	3,88	8,0	PHG 2136-8M-...
	149	1 192	5,6	3,88	8,0	PHG 1192-8M-...		270	2 160	5,6	3,88	8,0	PHG 2160-8M-...
	150	1 200	5,6	3,88	8,0	PHG 1200-8M-...		276	2 208	5,6	3,88	8,0	PHG 2208-8M-...
151	1 208	5,6	3,88	8,0	PHG 1208-8M-...	280	2 240	5,6	3,88	8,0	PHG 2240-8M-...		
152	1 216	5,6	3,88	8,0	PHG 1216-8M-...	281	2 248	5,6	3,88	8,0	PHG 2248-8M-...		
153	1 224	5,6	3,88	8,0	PHG 1224-8M-...	288	2 304	5,6	3,88	8,0	PHG 2304-8M-...		
155	1 240	5,6	3,88	8,0	PHG 1240-8M-...	291	2 328	5,6	3,88	8,0	PHG 2328-8M-...		
156	1 248	5,6	3,88	8,0	PHG 1248-8M-...	299	2 392	5,6	3,88	8,0	PHG 2392-8M-...		

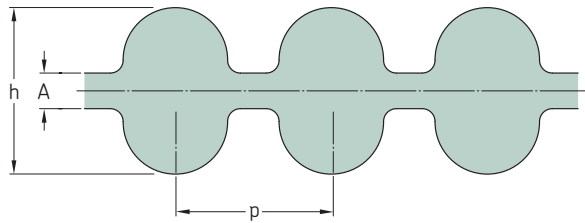
Non-standard lengths may also be available.  
 To complete designation add belt width in mm.  
 Full sleeves are available in various widths. Please contact your SKF Authorized Distributor.

Section	Number of teeth per side	Dimensions			Designation	Section	Number of teeth per side	Dimensions			Designation			
		Pitch length	$h_1$	$h_2$				$p$	Pitch length	$h_1$		$h_2$	$p$	
-	-	mm			-	-	mm			-				
8M	300	2 400	5,6	3,88	8,0	PHG 2400-8M-...	14M	275	3 850	10,0	6,10	14,0	PHG 3850-14M-...	
	313	2 504	5,6	3,88	8,0	PHG 2504-8M-...		309	4 326	10,0	6,10	14,0	PHG 4326-14M-...	
	323	2 584	5,6	3,88	8,0	PHG 2584-8M-...		324	4 536	10,0	6,10	14,0	PHG 4536-14M-...	
	325	2 600	5,6	3,88	8,0	PHG 2600-8M-...		327	4 578	10,0	6,10	14,0	PHG 4578-14M-...	
	332	2 656	5,6	3,88	8,0	PHG 2656-8M-...		340	4 760	10,0	6,10	14,0	PHG 4760-14M-...	
	342	2 736	5,6	3,88	8,0	PHG 2736-8M-...		354	4 956	10,0	6,10	14,0	PHG 4956-14M-...	
	350	2 800	5,6	3,88	8,0	PHG 2800-8M-...		360	5 040	10,0	6,10	14,0	PHG 5040-14M-...	
	381	3 048	5,6	3,88	8,0	PHG 3048-8M-...		380	5 320	10,0	6,10	14,0	PHG 5320-14M-...	
	390	3 120	5,6	3,88	8,0	PHG 3120-8M-...		410	5 740	10,0	6,10	14,0	PHG 5740-14M-...	
	396	3 168	5,6	3,88	8,0	PHG 3168-8M-...		424	5 936	10,0	6,10	14,0	PHG 5936-14M-...	
	400	3 200	5,6	3,88	8,0	PHG 3200-8M-...		440	6 160	10,0	6,10	14,0	PHG 6160-14M-...	
	410	3 280	5,6	3,88	8,0	PHG 3280-8M-...		490	6 860	10,0	6,10	14,0	PHG 6860-14M-...	
	425	3 400	5,6	3,88	8,0	PHG 3400-8M-...								
	450	3 600	5,6	3,88	8,0	PHG 3600-8M-...								
	465	3 720	5,6	3,88	8,0	PHG 3720-8M-...								
	478	3 824	5,6	3,88	8,0	PHG 3824-8M-...								
	483	3 864	5,6	3,88	8,0	PHG 3864-8M-...								
	500	4 000	5,6	3,88	8,0	PHG 4000-8M-...								
	525	4 200	5,6	3,88	8,0	PHG 4200-8M-...								
	550	4 400	5,6	3,88	8,0	PHG 4400-8M-...								
	640	5 120	5,6	3,88	8,0	PHG 5120-8M-...								
	700	5 600	5,6	3,88	8,0	PHG 5600-8M-...								
	745	5 960	5,6	3,88	8,0	PHG 5960-8M-...								
	825	6 600	5,6	3,88	8,0	PHG 6600-8M-...								
	860	6 880	5,6	3,88	8,0	PHG 6880-8M-...								
	14M	67	938	10,0	6,10	14,0		PHG 938-14M-...						
		69	966	10,0	6,10	14,0		PHG 966-14M-...						
		74	1 036	10,0	6,10	14,0		PHG 1036-14M-...						
		75	1 050	10,0	6,10	14,0		PHG 1050-14M-...						
		76	1 064	10,0	6,10	14,0		PHG 1064-14M-...						
		78	1 092	10,0	6,10	14,0		PHG 1092-14M-...						
		80	1 120	10,0	6,10	14,0		PHG 1120-14M-...						
		82	1 148	10,0	6,10	14,0		PHG 1148-14M-...						
		85	1 190	10,0	6,10	14,0		PHG 1190-14M-...						
		89	1 246	10,0	6,10	14,0		PHG 1246-14M-...						
		90	1 260	10,0	6,10	14,0		PHG 1260-14M-...						
		92	1 288	10,0	6,10	14,0		PHG 1288-14M-...						
		94	1 316	10,0	6,10	14,0		PHG 1316-14M-...						
96		1 344	10,0	6,10	14,0	PHG 1344-14M-...								
100		1 400	10,0	6,10	14,0	PHG 1400-14M-...								
101		1 414	10,0	6,10	14,0	PHG 1414-14M-...								
103		1 442	10,0	6,10	14,0	PHG 1442-14M-...								
104		1 456	10,0	6,10	14,0	PHG 1456-14M-...								
105		1 470	10,0	6,10	14,0	PHG 1470-14M-...								
106		1 484	10,0	6,10	14,0	PHG 1484-14M-...								
108		1 512	10,0	6,10	14,0	PHG 1512-14M-...								
110		1 540	10,0	6,10	14,0	PHG 1540-14M-...								
112		1 568	10,0	6,10	14,0	PHG 1568-14M-...								
115		1 610	10,0	6,10	14,0	PHG 1610-14M-...								
118		1 652	10,0	6,10	14,0	PHG 1652-14M-...								
125		1 750	10,0	6,10	14,0	PHG 1750-14M-...								
126		1 764	10,0	6,10	14,0	PHG 1764-14M-...								
127		1 778	10,0	6,10	14,0	PHG 1778-14M-...								
128		1 792	10,0	6,10	14,0	PHG 1792-14M-...								
128		1 792	10,0	6,10	14,0	PHG 1792-14M-...								
129		1 806	10,0	6,10	14,0	PHG 1806-14M-...								
130		1 820	10,0	6,10	14,0	PHG 1820-14M-...								
135		1 890	10,0	6,10	14,0	PHG 1890-14M-...								
138		1 932	10,0	6,10	14,0	PHG 1932-14M-...								
139		1 946	10,0	6,10	14,0	PHG 1946-14M-...								
140		1 960	10,0	6,10	14,0	PHG 1960-14M-...								
143		2 002	10,0	6,10	14,0	PHG 2002-14M-...								
150		2 100	10,0	6,10	14,0	PHG 2100-14M-...								
160		2 240	10,0	6,10	14,0	PHG 2240-14M-...								
165		2 310	10,0	6,10	14,0	PHG 2310-14M-...								
175		2 450	10,0	6,10	14,0	PHG 2450-14M-...								
175		2 450	10,0	6,10	14,0	PHG 2450-14M-...								
185		2 590	10,0	6,10	14,0	PHG 2590-14M-...								
190		2 660	10,0	6,10	14,0	PHG 2660-14M-...								
200		2 800	10,0	6,10	14,0	PHG 2800-14M-...								
222		3 108	10,0	6,10	14,0	PHG 3108-14M-...								
225		3 150	10,0	6,10	14,0	PHG 3150-14M-...								
236		3 304	10,0	6,10	14,0	PHG 3304-14M-...								
240	3 360	10,0	6,10	14,0	PHG 3360-14M-...									
250	3 500	10,0	6,10	14,0	PHG 3500-14M-...									
262	3 668	10,0	6,10	14,0	PHG 3668-14M-...									

Non-standard lengths may also be available.  
 To complete designation add belt width in mm.  
 Full sleeves are available in various widths. Please contact your SKF Authorized Distributor.

SKF Double-sided HiTD Belts

D-5M | D-8M



Section	Number of teeth per side	Dimensions			Designation	
		Pitch length	h	A		p
		mm				
D-5M	100	500	5,3	1,1	5,0	PHG DA-500-5M-...
	101	505	5,3	1,1	5,0	PHG DA-505-5M-...
	104	520	5,3	1,1	5,0	PHG DA-520-5M-...
	105	525	5,3	1,1	5,0	PHG DA-525-5M-...
	106	530	5,3	1,1	5,0	PHG DA-530-5M-...
	107	535	5,3	1,1	5,0	PHG DA-535-5M-...
	108	540	5,3	1,1	5,0	PHG DA-540-5M-...
	110	550	5,3	1,1	5,0	PHG DA-550-5M-...
	112	560	5,3	1,1	5,0	PHG DA-560-5M-...
	113	565	5,3	1,1	5,0	PHG DA-565-5M-...
	114	570	5,3	1,1	5,0	PHG DA-570-5M-...
	115	575	5,3	1,1	5,0	PHG DA-575-5M-...
	116	580	5,3	1,1	5,0	PHG DA-580-5M-...
	117	585	5,3	1,1	5,0	PHG DA-585-5M-...
	118	590	5,3	1,1	5,0	PHG DA-590-5M-...
	120	600	5,3	1,1	5,0	PHG DA-600-5M-...
	121	605	5,3	1,1	5,0	PHG DA-605-5M-...
	122	610	5,3	1,1	5,0	PHG DA-610-5M-...
	123	615	5,3	1,1	5,0	PHG DA-615-5M-...
	124	620	5,3	1,1	5,0	PHG DA-620-5M-...
	125	625	5,3	1,1	5,0	PHG DA-625-5M-...
	126	630	5,3	1,1	5,0	PHG DA-630-5M-...
	127	635	5,3	1,1	5,0	PHG DA-635-5M-...
	128	640	5,3	1,1	5,0	PHG DA-640-5M-...
	129	645	5,3	1,1	5,0	PHG DA-645-5M-...
	130	650	5,3	1,1	5,0	PHG DA-650-5M-...
	131	655	5,3	1,1	5,0	PHG DA-655-5M-...
	134	670	5,3	1,1	5,0	PHG DA-670-5M-...
	135	675	5,3	1,1	5,0	PHG DA-675-5M-...
	137	685	5,3	1,1	5,0	PHG DA-685-5M-...
	138	690	5,3	1,1	5,0	PHG DA-690-5M-...
	139	695	5,3	1,1	5,0	PHG DA-695-5M-...
	140	700	5,3	1,1	5,0	PHG DA-700-5M-...
	142	710	5,3	1,1	5,0	PHG DA-715-5M-...
	142	710	5,3	1,1	5,0	PHG DA-710-5M-...
	144	720	5,3	1,1	5,0	PHG DA-720-5M-...
	145	725	5,3	1,1	5,0	PHG DA-725-5M-...
	148	740	5,3	1,1	5,0	PHG DA-740-5M-...
	149	745	5,3	1,1	5,0	PHG DA-745-5M-...
	150	750	5,3	1,1	5,0	PHG DA-750-5M-...
	151	755	5,3	1,1	5,0	PHG DA-755-5M-...
	154	770	5,3	1,1	5,0	PHG DA-770-5M-...
	155	775	5,3	1,1	5,0	PHG DA-775-5M-...
	156	780	5,3	1,1	5,0	PHG DA-780-5M-...
	158	790	5,3	1,1	5,0	PHG DA-790-5M-...
	160	800	5,3	1,1	5,0	PHG DA-800-5M-...
	162	810	5,3	1,1	5,0	PHG DA-810-5M-...
	165	825	5,3	1,1	5,0	PHG DA-825-5M-...
	166	830	5,3	1,1	5,0	PHG DA-830-5M-...
	167	835	5,3	1,1	5,0	PHG DA-835-5M-...
	170	850	5,3	1,1	5,0	PHG DA-850-5M-...
	172	860	5,3	1,1	5,0	PHG DA-860-5M-...
	174	870	5,3	1,1	5,0	PHG DA-870-5M-...
	178	890	5,3	1,1	5,0	PHG DA-890-5M-...
	180	900	5,3	1,1	5,0	PHG DA-900-5M-...

Section	Number of teeth per side	Dimensions			Designation	
		Pitch length	h	A		p
		mm				
D-5M	182	910	5,3	1,1	5,0	PHG DA-910-5M-...
	184	920	5,3	1,1	5,0	PHG DA-920-5M-...
	185	925	5,3	1,1	5,0	PHG DA-925-5M-...
	187	935	5,3	1,1	5,0	PHG DA-935-5M-...
	188	940	5,3	1,1	5,0	PHG DA-940-5M-...
	190	950	5,3	1,1	5,0	PHG DA-950-5M-...
	192	960	5,3	1,1	5,0	PHG DA-960-5M-...
	193	965	5,3	1,1	5,0	PHG DA-965-5M-...
	195	975	5,3	1,1	5,0	PHG DA-975-5M-...
	196	980	5,3	1,1	5,0	PHG DA-980-5M-...
	200	1 000	5,3	1,1	5,0	PHG DA-1000-5M-...
	205	1 025	5,3	1,1	5,0	PHG DA-1025-5M-...
	207	1 035	5,3	1,1	5,0	PHG DA-1035-5M-...
	210	1 050	5,3	1,1	5,0	PHG DA-1050-5M-...
	220	1 100	5,3	1,1	5,0	PHG DA-1100-5M-...
	223	1 115	5,3	1,1	5,0	PHG DA-1115-5M-...
	225	1 125	5,3	1,1	5,0	PHG DA-1125-5M-...
	227	1 135	5,3	1,1	5,0	PHG DA-1135-5M-...
	229	1 145	5,3	1,1	5,0	PHG DA-1145-5M-...
	235	1 175	5,3	1,1	5,0	PHG DA-1175-5M-...
	236	1 180	5,3	1,1	5,0	PHG DA-1180-5M-...
	239	1 195	5,3	1,1	5,0	PHG DA-1195-5M-...
	240	1 200	5,3	1,1	5,0	PHG DA-1200-5M-...
	242	1 210	5,3	1,1	5,0	PHG DA-1210-5M-...
	245	1 225	5,3	1,1	5,0	PHG DA-1225-5M-...
	250	1 250	5,3	1,1	5,0	PHG DA-1250-5M-...
	254	1 270	5,3	1,1	5,0	PHG DA-1270-5M-...
	258	1 290	5,3	1,1	5,0	PHG DA-1290-5M-...
	259	1 295	5,3	1,1	5,0	PHG DA-1295-5M-...
	260	1 300	5,3	1,1	5,0	PHG DA-1300-5M-...
	268	1 340	5,3	1,1	5,0	PHG DA-1340-5M-...
	270	1 350	5,3	1,1	5,0	PHG DA-1350-5M-...
	275	1 375	5,3	1,1	5,0	PHG DA-1375-5M-...
	280	1 400	5,3	1,1	5,0	PHG DA-1400-5M-...
	282	1 410	5,3	1,1	5,0	PHG DA-1410-5M-...
	284	1 420	5,3	1,1	5,0	PHG DA-1420-5M-...
	290	1 450	5,3	1,1	5,0	PHG DA-1450-5M-...
	291	1 455	5,3	1,1	5,0	PHG DA-1455-5M-...
	300	1 500	5,3	1,1	5,0	PHG DA-1500-5M-...
	319	1 595	5,3	1,1	5,0	PHG DA-1595-5M-...
	320	1 600	5,3	1,1	5,0	PHG DA-1600-5M-...
	337	1 685	5,3	1,1	5,0	PHG DA-1685-5M-...
	338	1 690	5,3	1,1	5,0	PHG DA-1690-5M-...
D-8M	64	512	8,2	1,4	8,0	PHG DA-512-8M-...
	65	520	8,2	1,4	8,0	PHG DA-520-8M-...
	67	536	8,2	1,4	8,0	PHG DA-536-8M-...
	68	544	8,2	1,4	8,0	PHG DA-544-8M-...
	70	560	8,2	1,4	8,0	PHG DA-560-8M-...
	71	568	8,2	1,4	8,0	PHG DA-568-8M-...
	72	576	8,2	1,4	8,0	PHG DA-576-8M-...
	73	584	8,2	1,4	8,0	PHG DA-584-8M-...
	74	592	8,2	1,4	8,0	PHG DA-592-8M-...
	75	600	8,2	1,4	8,0	PHG DA-600-8M-...
	76	608	8,2	1,4	8,0	PHG DA-608-8M-...

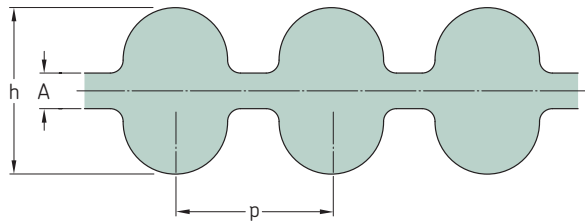
Non-standard lengths may also be available.  
 To complete designation add belt width in mm.  
 Double-sided HiTD belts are available in symmetric (DA) only.  
 Full sleeves are available in various widths. Please contact your SKF Authorized Distributor.





# SKF Double-sided HiTD Belts

## D-14M



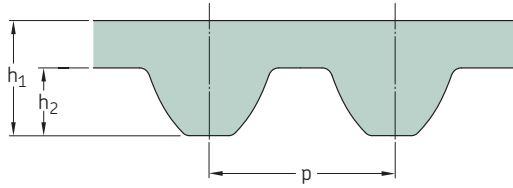
Section	Number of teeth per side	Dimensions Pitch length	Dimensions			Designation
			h	A	p	
-	-	mm	-	-	-	-
D-14M	143	2 002	14,8	2,8	14,0	PHG DA-2002-14M-...
	150	2 100	14,8	2,8	14,0	PHG DA-2100-14M-...
	160	2 240	14,8	2,8	14,0	PHG DA-2240-14M-...
	165	2 310	14,8	2,8	14,0	PHG DA-2310-14M-...
	175	2 450	14,8	2,8	14,0	PHG DA-2450-14M-...
	185	2 590	14,8	2,8	14,0	PHG DA-2590-14M-...
	190	2 660	14,8	2,8	14,0	PHG DA-2660-14M-...
	200	2 800	14,8	2,8	14,0	PHG DA-2800-14M-...
	222	3 108	14,8	2,8	14,0	PHG DA-3108-14M-...
	225	3 150	14,8	2,8	14,0	PHG DA-3150-14M-...
	236	3 304	14,8	2,8	14,0	PHG DA-3304-14M-...
	240	3 360	14,8	2,8	14,0	PHG DA-3360-14M-...
	250	3 500	14,8	2,8	14,0	PHG DA-3500-14M-...
	275	3 850	14,8	2,8	14,0	PHG DA-3850-14M-...
	309	4 326	14,8	2,8	14,0	PHG DA-4326-14M-...
	324	4 536	14,8	2,8	14,0	PHG DA-4536-14M-...
	327	4 578	14,8	2,8	14,0	PHG DA-4578-14M-...
	340	4 760	14,8	2,8	14,0	PHG DA-4760-14M-...
	354	4 956	14,8	2,8	14,0	PHG DA-4956-14M-...
	360	5 040	14,8	2,8	14,0	PHG DA-5040-14M-...
380	5 320	14,8	2,8	14,0	PHG DA-5320-14M-...	
410	5 740	14,8	2,8	14,0	PHG DA-5740-14M-...	
424	5 936	14,8	2,8	14,0	PHG DA-5936-14M-...	
440	6 160	14,8	2,8	14,0	PHG DA-6160-14M-...	
490	6 860	14,8	2,8	14,0	PHG DA-6860-14M-...	

Non-standard lengths may also be available.  
 To complete designation add belt width in mm.  
 Double-sided HiTD belts are available in symmetric (DA) only.  
 Full sleeves are available in various widths. Please contact your SKF Authorized Distributor.



# Super torque timing belts

S2M | S3M



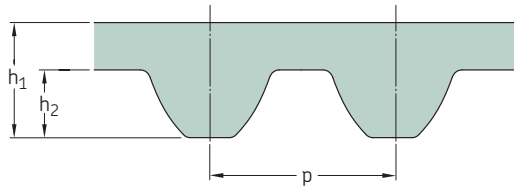
Section	Number of teeth	Dimensions		Designation			Designation
		Pitch length		$h_1$	$h_2$	$p$	
		in.	mm				
<b>S2M</b>	30	2.36	60	1,36	0,76	2	PHG S2M-60-...
	40	3.15	80	1,36	0,76	2	PHG S2M-80-...
	48	3.78	96	1,36	0,76	2	PHG S2M-96-...
	55	4.33	110	1,36	0,76	2	PHG S2M-110-...
	60	4.72	120	1,36	0,76	2	PHG S2M-120-...
	63	4.96	126	1,36	0,76	2	PHG S2M-126-...
	64	5.04	128	1,36	0,76	2	PHG S2M-128-...
	65	5.12	130	1,36	0,76	2	PHG S2M-130-...
	66	5.20	132	1,36	0,76	2	PHG S2M-132-...
	67	5.28	134	1,36	0,76	2	PHG S2M-134-...
	69	5.43	138	1,36	0,76	2	PHG S2M-138-...
	73	5.75	146	1,36	0,76	2	PHG S2M-146-...
	76	5.98	152	1,36	0,76	2	PHG S2M-152-...
	78	6.14	156	1,36	0,76	2	PHG S2M-156-...
	80	6.30	160	1,36	0,76	2	PHG S2M-160-...
	84	6.61	168	1,36	0,76	2	PHG S2M-168-...
	90	7.09	180	1,36	0,76	2	PHG S2M-180-...
	91	7.17	182	1,36	0,76	2	PHG S2M-182-...
	92	7.24	184	1,36	0,76	2	PHG S2M-184-...
	93	7.32	186	1,36	0,76	2	PHG S2M-186-...
	96	7.56	192	1,36	0,76	2	PHG S2M-192-...
	97	7.64	194	1,36	0,76	2	PHG S2M-194-...
	99	7.80	198	1,36	0,76	2	PHG S2M-198-...
	100	7.87	200	1,36	0,76	2	PHG S2M-200-...
	101	7.95	202	1,36	0,76	2	PHG S2M-202-...
	102	8.03	204	1,36	0,76	2	PHG S2M-204-...
	112	8.82	224	1,36	0,76	2	PHG S2M-224-...
	117	9.21	234	1,36	0,76	2	PHG S2M-234-...
	118	9.29	236	1,36	0,76	2	PHG S2M-236-...
	120	9.45	240	1,36	0,76	2	PHG S2M-240-...
	122	9.61	244	1,36	0,76	2	PHG S2M-244-...
	125	9.84	250	1,36	0,76	2	PHG S2M-250-...
	130	10.24	260	1,36	0,76	2	PHG S2M-260-...
	132	10.39	264	1,36	0,76	2	PHG S2M-264-...
	144	11.34	288	1,36	0,76	2	PHG S2M-288-...
	156	12.28	312	1,36	0,76	2	PHG S2M-312-...
	158	12.44	316	1,36	0,76	2	PHG S2M-316-...
	168	13.23	336	1,36	0,76	2	PHG S2M-336-...
	177	13.94	354	1,36	0,76	2	PHG S2M-354-...
	210	16.54	420	1,36	0,76	2	PHG S2M-420-...
	247	19.45	494	1,36	0,76	2	PHG S2M-494-...
	290	22.83	580	1,36	0,76	2	PHG S2M-580-...
	1500	118.11	3 000	1,36	0,76	2	PHG S2M-3000-...
	1850	145.67	3 700	1,36	0,76	2	PHG S2M-3700-...
<b>S3M</b>	40	4.72	120	2,20	1,14	3	PHG S3M-120-...
	43	5.08	129	2,20	1,14	3	PHG S3M-129-...
	48	5.67	144	2,20	1,14	3	PHG S3M-144-...
	50	5.91	150	2,20	1,14	3	PHG S3M-150-...
	52	6.14	156	2,20	1,14	3	PHG S3M-156-...
	54	6.38	162	2,20	1,14	3	PHG S3M-162-...
	55	6.50	165	2,20	1,14	3	PHG S3M-165-...
	57	6.73	171	2,20	1,14	3	PHG S3M-171-...
	58	6.85	174	2,20	1,14	3	PHG S3M-174-...
	59	6.97	177	2,20	1,14	3	PHG S3M-177-...

Section	Number of teeth	Dimensions		Designation			
		Pitch length		$h_1$	$h_2$	$p$	
		in.	mm				
<b>S3M</b>	60	7.09	180	2,20	1,14	3	PHG S3M-180-...
	62	7.32	186	2,20	1,14	3	PHG S3M-186-...
	63	7.44	189	2,20	1,14	3	PHG S3M-189-...
	64	7.56	192	2,20	1,14	3	PHG S3M-192-...
	67	7.91	201	2,20	1,14	3	PHG S3M-201-...
	68	8.03	204	2,20	1,14	3	PHG S3M-204-...
	69	8.15	207	2,20	1,14	3	PHG S3M-207-...
	70	8.27	210	2,20	1,14	3	PHG S3M-210-...
	71	8.39	213	2,20	1,14	3	PHG S3M-213-...
	73	8.62	219	2,20	1,14	3	PHG S3M-219-...
	74	8.74	222	2,20	1,14	3	PHG S3M-222-...
	75	8.86	225	2,20	1,14	3	PHG S3M-225-...
	77	9.09	231	2,20	1,14	3	PHG S3M-231-...
	78	9.21	234	2,20	1,14	3	PHG S3M-234-...
	79	9.33	237	2,20	1,14	3	PHG S3M-237-...
	80	9.45	240	2,20	1,14	3	PHG S3M-240-...
	82	9.69	246	2,20	1,14	3	PHG S3M-246-...
	83	9.80	249	2,20	1,14	3	PHG S3M-249-...
	84	9.92	252	2,20	1,14	3	PHG S3M-252-...
	85	10.04	255	2,20	1,14	3	PHG S3M-255-...
	88	10.39	264	2,20	1,14	3	PHG S3M-264-...
	89	10.51	267	2,20	1,14	3	PHG S3M-267-...
	92	10.87	276	2,20	1,14	3	PHG S3M-276-...
	94	11.10	282	2,20	1,14	3	PHG S3M-282-...
	96	11.34	288	2,20	1,14	3	PHG S3M-288-...
	97	11.46	291	2,20	1,14	3	PHG S3M-291-...
	98	11.57	294	2,20	1,14	3	PHG S3M-294-...
	99	11.69	297	2,20	1,14	3	PHG S3M-297-...
	100	11.81	300	2,20	1,14	3	PHG S3M-300-...
	104	12.28	312	2,20	1,14	3	PHG S3M-312-...
	106	12.52	318	2,20	1,14	3	PHG S3M-318-...
	107	12.64	321	2,20	1,14	3	PHG S3M-321-...
	109	12.87	327	2,20	1,14	3	PHG S3M-327-...
	110	12.99	330	2,20	1,14	3	PHG S3M-330-...
	111	13.11	333	2,20	1,14	3	PHG S3M-333-...
	113	13.35	339	2,20	1,14	3	PHG S3M-339-...
	115	13.58	345	2,20	1,14	3	PHG S3M-345-...
	117	13.82	351	2,20	1,14	3	PHG S3M-351-...
	118	13.94	354	2,20	1,14	3	PHG S3M-354-...
	119	14.06	357	2,20	1,14	3	PHG S3M-357-...
	120	14.17	360	2,20	1,14	3	PHG S3M-360-...
	121	14.29	363	2,20	1,14	3	PHG S3M-363-...
	123	14.53	369	2,20	1,14	3	PHG S3M-369-...
	128	15.12	384	2,20	1,14	3	PHG S3M-384-...
	135	15.94	405	2,20	1,14	3	PHG S3M-405-...
	136	16.06	408	2,20	1,14	3	PHG S3M-408-...
	139	16.42	417	2,20	1,14	3	PHG S3M-417-...
	140	16.54	420	2,20	1,14	3	PHG S3M-420-...
	144	17.01	432	2,20	1,14	3	PHG S3M-432-...
	149	17.60	447	2,20	1,14	3	PHG S3M-447-...
	151	17.83	453	2,20	1,14	3	PHG S3M-453-...
	153	18.07	459	2,20	1,14	3	PHG S3M-459-...
	155	18.31	465	2,20	1,14	3	PHG S3M-465-...
	156	18.43	468	2,20	1,14	3	PHG S3M-468-...
	162	19.13	486	2,20	1,14	3	PHG S3M-486-...

To complete designation add belt width in mm.  
 Non-standard lengths may also be available.  
 Full sleeves are available in various widths. Please contact your SKF Authorized Distributor.  
 For polyurethane version, add "PU" to the profile type. For example: PHG S14MPU-1000-...

# Super torque timing belts

S3M | S4.5M | S5M



Section	Number of teeth	Dimensions		Pitch length			Designation
		in.	mm	$h_1$	$h_2$	$p$	
S3M	167	19.72	501	2,20	1,14	3	PHG S3M-501-...
	168	19.84	504	2,20	1,14	3	PHG S3M-504-...
	169	19.96	507	2,20	1,14	3	PHG S3M-507-...
	179	21.14	537	2,20	1,14	3	PHG S3M-537-...
	188	22.20	564	2,20	1,14	3	PHG S3M-564-...
	191	22.56	573	2,20	1,14	3	PHG S3M-573-...
	195	23.03	585	2,20	1,14	3	PHG S3M-585-...
	199	23.50	597	2,20	1,14	3	PHG S3M-597-...
	202	23.86	606	2,20	1,14	3	PHG S3M-606-...
	207	24.45	621	2,20	1,14	3	PHG S3M-621-...
	211	24.92	633	2,20	1,14	3	PHG S3M-633-...
	212	25.04	636	2,20	1,14	3	PHG S3M-636-...
	217	25.63	651	2,20	1,14	3	PHG S3M-651-...
	219	25.87	657	2,20	1,14	3	PHG S3M-657-...
	220	25.98	660	2,20	1,14	3	PHG S3M-660-...
	222	26.22	666	2,20	1,14	3	PHG S3M-666-...
	230	27.17	690	2,20	1,14	3	PHG S3M-690-...
	233	27.52	699	2,20	1,14	3	PHG S3M-699-...
	238	28.11	714	2,20	1,14	3	PHG S3M-714-...
	240	29.53	750	2,20	1,14	3	PHG S3M-750-...
268	31.65	804	2,20	1,14	3	PHG S3M-804-...	
298	35.20	894	2,20	1,14	3	PHG S3M-894-...	
350	41.34	1 050	2,20	1,14	3	PHG S3M-1050-...	
375	44.29	1 125	2,20	1,14	3	PHG S3M-1125-...	
474	55.98	1 422	2,20	1,14	3	PHG S3M-1422-...	
532	62.83	1 596	2,20	1,14	3	PHG S3M-1596-...	
1465	173.03	4 395	2,20	1,14	3	PHG S3M-4395-...	
1568	185.20	4 704	2,20	1,14	3	PHG S3M-4704-...	
2170	256.30	6 510	2,20	1,14	3	PHG S3M-6510-...	
S4.5M	40	7.09	180	2,81	1,71	4,5	PHG S4.5M-180-...
	44	7.80	198	2,81	1,71	4,5	PHG S4.5M-198-...
	50	8.86	225	2,81	1,71	4,5	PHG S4.5M-225-...
	53	9.41	239	2,81	1,71	4,5	PHG S4.5M-239-...
	56	9.92	252	2,81	1,71	4,5	PHG S4.5M-252-...
	61	10.83	275	2,81	1,71	4,5	PHG S4.5M-275-...
	62	10.98	279	2,81	1,71	4,5	PHG S4.5M-279-...
	63	11.18	284	2,81	1,71	4,5	PHG S4.5M-284-...
	66	11.69	297	2,81	1,71	4,5	PHG S4.5M-297-...
	70	12.40	315	2,81	1,71	4,5	PHG S4.5M-315-...
	73	12.95	329	2,81	1,71	4,5	PHG S4.5M-329-...
	74	13.11	333	2,81	1,71	4,5	PHG S4.5M-333-...
	75	13.31	338	2,81	1,71	4,5	PHG S4.5M-338-...
	76	13.46	342	2,81	1,71	4,5	PHG S4.5M-342-...
	78	13.82	351	2,81	1,71	4,5	PHG S4.5M-351-...
	80	14.17	360	2,81	1,71	4,5	PHG S4.5M-360-...
	82	14.53	369	2,81	1,71	4,5	PHG S4.5M-369-...
	84	15.04	382	2,81	1,71	4,5	PHG S4.5M-382-...
	86	15.24	387	2,81	1,71	4,5	PHG S4.5M-387-...
	88	15.59	396	2,81	1,71	4,5	PHG S4.5M-396-...
92	16.30	414	2,81	1,71	4,5	PHG S4.5M-414-...	
97	17.20	437	2,81	1,71	4,5	PHG S4.5M-437-...	
100	17.72	450	2,81	1,71	4,5	PHG S4.5M-450-...	
112	19.84	504	2,81	1,71	4,5	PHG S4.5M-504-...	
124	21.97	558	2,81	1,71	4,5	PHG S4.5M-558-...	

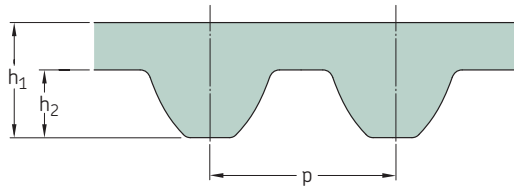
Section	Number of teeth	Dimensions		Pitch length			Designation
		in.	mm	$h_1$	$h_2$	$p$	
S4.5M	125	22.17	563	2,81	1,71	4,5	PHG S4.5M-563-...
	140	24.80	630	2,81	1,71	4,5	PHG S4.5M-630-...
	145	25.71	653	2,81	1,71	4,5	PHG S4.5M-653-...
	158	27.99	711	2,81	1,71	4,5	PHG S4.5M-711-...
	192	34.02	864	2,81	1,71	4,5	PHG S4.5M-864-...
S5M	201	35.63	905	2,81	1,71	4,5	PHG S4.5M-905-...
	207	36.69	932	2,81	1,71	4,5	PHG S4.5M-932-...
	30	5.91	150	3,41	1,91	5	PHG S5M-150-...
	40	7.87	200	3,41	1,91	5	PHG S5M-200-...
	50	9.84	250	3,41	1,91	5	PHG S5M-250-...
	51	10.04	255	3,41	1,91	5	PHG S5M-255-...
	53	10.43	265	3,41	1,91	5	PHG S5M-265-...
	54	10.63	270	3,41	1,91	5	PHG S5M-270-...
	57	11.22	285	3,41	1,91	5	PHG S5M-285-...
	59	11.61	295	3,41	1,91	5	PHG S5M-295-...
	64	12.60	320	3,41	1,91	5	PHG S5M-320-...
	65	12.80	325	3,41	1,91	5	PHG S5M-325-...
	69	13.58	345	3,41	1,91	5	PHG S5M-345-...
	70	13.78	350	3,41	1,91	5	PHG S5M-350-...
	75	14.76	375	3,41	1,91	5	PHG S5M-375-...
	78	15.35	390	3,41	1,91	5	PHG S5M-390-...
	80	15.75	400	3,41	1,91	5	PHG S5M-400-...
	82	16.14	410	3,41	1,91	5	PHG S5M-410-...
	85	16.73	425	3,41	1,91	5	PHG S5M-425-...
	90	17.72	450	3,41	1,91	5	PHG S5M-450-...
95	18.70	475	3,41	1,91	5	PHG S5M-475-...	
98	19.29	490	3,41	1,91	5	PHG S5M-490-...	
100	19.69	500	3,41	1,91	5	PHG S5M-500-...	
104	20.47	520	3,41	1,91	5	PHG S5M-520-...	
105	20.67	525	3,41	1,91	5	PHG S5M-525-...	
112	22.05	560	3,41	1,91	5	PHG S5M-560-...	
113	22.24	565	3,41	1,91	5	PHG S5M-565-...	
115	22.64	575	3,41	1,91	5	PHG S5M-575-...	
120	23.62	600	3,41	1,91	5	PHG S5M-600-...	
125	24.61	625	3,41	1,91	5	PHG S5M-625-...	
130	25.59	650	3,41	1,91	5	PHG S5M-650-...	
133	26.18	665	3,41	1,91	5	PHG S5M-665-...	
134	26.38	670	3,41	1,91	5	PHG S5M-670-...	
135	26.57	675	3,41	1,91	5	PHG S5M-675-...	
140	27.56	700	3,41	1,91	5	PHG S5M-700-...	
150	29.53	750	3,41	1,91	5	PHG S5M-750-...	
153	30.12	765	3,41	1,91	5	PHG S5M-765-...	
156	30.71	780	3,41	1,91	5	PHG S5M-780-...	
160	31.50	800	3,41	1,91	5	PHG S5M-800-...	
162	31.89	810	3,41	1,91	5	PHG S5M-810-...	
165	32.48	825	3,41	1,91	5	PHG S5M-825-...	
166	32.68	830	3,41	1,91	5	PHG S5M-830-...	
170	33.46	850	3,41	1,91	5	PHG S5M-850-...	
178	35.04	890	3,41	1,91	5	PHG S5M-890-...	
180	35.43	900	3,41	1,91	5	PHG S5M-900-...	
190	37.40	950	3,41	1,91	5	PHG S5M-950-...	
195	38.39	975	3,41	1,91	5	PHG S5M-975-...	
200	39.37	1 000	3,41	1,91	5	PHG S5M-1000-...	
210	41.34	1 050	3,41	1,91	5	PHG S5M-1050-...	

To complete designation add belt width in mm.  
 Non-standard lengths may also be available.  
 Full sleeves are available in various widths. Please contact your SKF Authorized Distributor.  
 For polyurethane version, add "PU" to the profile type. For example: PHG S14MPU-1000-...



# Super torque timing belts

## S14M

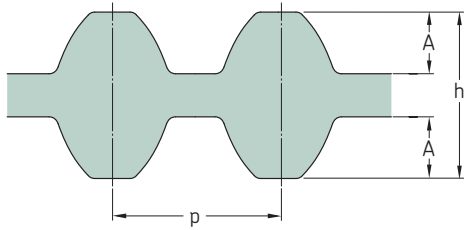


Section	Number of teeth	Dimensions		Pitch length			Designation
		in.	mm	$h_1$	$h_2$	$p$	
–	–	–	–	–	–	–	–
S14M	150	82.68	2 100	10,20	5,30	14	PHG S14M-2100-...
	157	86.54	2 198	10,20	5,30	14	PHG S14M-2198-...
	160	88.19	2 240	10,20	5,30	14	PHG S14M-2240-...
	165	90.94	2 310	10,20	5,30	14	PHG S14M-2310-...
	170	93.70	2 380	10,20	5,30	14	PHG S14M-2380-...
	175	96.46	2 450	10,20	5,30	14	PHG S14M-2450-...
	185	101.97	2 590	10,20	5,30	14	PHG S14M-2590-...
	190	104.72	2 660	10,20	5,30	14	PHG S14M-2660-...
	200	110.24	2 800	10,20	5,30	14	PHG S14M-2800-...
	201	110.79	2 814	10,20	5,30	14	PHG S14M-2814-...
	225	124.02	3 150	10,20	5,30	14	PHG S14M-3150-...
	250	137.80	3 500	10,20	5,30	14	PHG S14M-3500-...
	275	151.57	3 850	10,20	5,30	14	PHG S14M-3850-...
	286	157.64	4 004	10,20	5,30	14	PHG S14M-4004-...
	315	173.62	4 410	10,20	5,30	14	PHG S14M-4410-...
	322	177.48	4 508	10,20	5,30	14	PHG S14M-4508-...
	358	197.32	5 012	10,20	5,30	14	PHG S14M-5012-...

To complete designation add belt width in mm.  
 Non-standard lengths may also be available.  
 Full sleeves are available in various widths. Please contact your SKF Authorized Distributor.  
 For polyurethane version, add "PU" to the profile type. For example: PHG S14MPU-1000-...

# Double-sided super torque timing belts

DS5M | DS8M



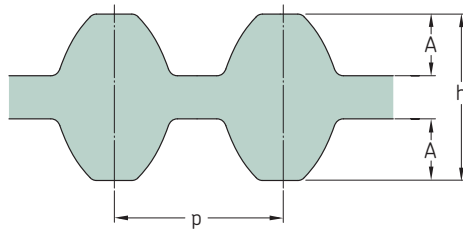
Section	Number of teeth	Dimensions		Designation			Section	Number of teeth	Dimensions		Designation		
		Pitch length		h	A	p			Pitch length		h	A	p
-	-	in.	mm				-	-	-	-			
DS5M	100	19.69	500	4,96	1,91	5	PHG DS5M-500-...						
	104	20.47	520	4,96	1,91	5		PHG DS5M-520-...					
	105	20.67	525	4,96	1,91	5		PHG DS5M-525-...					
	112	22.05	560	4,96	1,91	5		PHG DS5M-560-...					
	113	22.24	565	4,96	1,91	5		PHG DS5M-565-...					
	115	22.64	575	4,96	1,91	5		PHG DS5M-575-...					
	120	23.62	600	4,96	1,91	5		PHG DS5M-600-...					
	125	24.61	625	4,96	1,91	5		PHG DS5M-625-...					
	130	25.59	650	4,96	1,91	5		PHG DS5M-650-...					
	133	26.18	665	4,96	1,91	5		PHG DS5M-665-...					
	134	26.38	670	4,96	1,91	5		PHG DS5M-670-...					
	135	26.57	675	4,96	1,91	5		PHG DS5M-675-...					
	140	27.56	700	4,96	1,91	5		PHG DS5M-700-...					
	150	29.53	750	4,96	1,91	5		PHG DS5M-750-...					
	153	30.12	765	4,96	1,91	5		PHG DS5M-765-...					
	156	30.71	780	4,96	1,91	5		PHG DS5M-780-...					
	160	31.50	800	4,96	1,91	5		PHG DS5M-800-...					
	162	31.89	810	4,96	1,91	5		PHG DS5M-810-...					
	165	32.48	825	4,96	1,91	5		PHG DS5M-825-...					
	166	32.68	830	4,96	1,91	5		PHG DS5M-830-...					
170	33.46	850	4,96	1,91	5	PHG DS5M-850-...							
178	35.04	890	4,96	1,91	5	PHG DS5M-890-...							
180	35.43	900	4,96	1,91	5	PHG DS5M-900-...							
190	37.40	950	4,96	1,91	5	PHG DS5M-950-...							
195	38.39	975	4,96	1,91	5	PHG DS5M-975-...							
200	39.37	1 000	4,96	1,91	5	PHG DS5M-1000-...							
210	41.34	1 050	4,96	1,91	5	PHG DS5M-1050-...							
220	43.31	1 100	4,96	1,91	5	PHG DS5M-1100-...							
225	44.29	1 125	4,96	1,91	5	PHG DS5M-1125-...							
229	45.08	1 145	4,96	1,91	5	PHG DS5M-1145-...							
245	48.23	1 225	4,96	1,91	5	PHG DS5M-1225-...							
254	50.00	1 270	4,96	1,91	5	PHG DS5M-1270-...							
270	53.15	1 350	4,96	1,91	5	PHG DS5M-1350-...							
DS8M	64	20.16	512	7,47	3,05	8	PHG DS8M-512-...						
	65	20.47	520	7,47	3,05	8		PHG DS8M-520-...					
	66	20.79	528	7,47	3,05	8		PHG DS8M-528-...					
	67	21.10	536	7,47	3,05	8		PHG DS8M-536-...					
	70	22.05	560	7,47	3,05	8		PHG DS8M-560-...					
	73	22.99	584	7,47	3,05	8		PHG DS8M-584-...					
	75	23.62	600	7,47	3,05	8		PHG DS8M-600-...					
	79	24.88	632	7,47	3,05	8		PHG DS8M-632-...					
	80	25.20	640	7,47	3,05	8		PHG DS8M-640-...					
	82	25.83	656	7,47	3,05	8		PHG DS8M-656-...					
	85	26.77	680	7,47	3,05	8		PHG DS8M-680-...					
	86	27.09	688	7,47	3,05	8		PHG DS8M-688-...					
	89	28.03	712	7,47	3,05	8		PHG DS8M-712-...					
	90	28.35	720	7,47	3,05	8		PHG DS8M-720-...					
	91	28.66	728	7,47	3,05	8		PHG DS8M-728-...					
	95	29.92	760	7,47	3,05	8		PHG DS8M-760-...					
	96	30.24	768	7,47	3,05	8		PHG DS8M-768-...					
	98	30.87	784	7,47	3,05	8		PHG DS8M-784-...					
	100	31.50	800	7,47	3,05	8		PHG DS8M-800-...					
	103	32.44	824	7,47	3,05	8		PHG DS8M-824-...					
105	33.07	840	7,47	3,05	8	PHG DS8M-840-...							

Section	Number of teeth	Dimensions		Designation			Section	Number of teeth	Dimensions		Designation		
		Pitch length		h	A	p			Pitch length		h	A	p
-	-	in.	mm				-	-	-	-			
DS8M	106	33.39	848	7,47	3,05	8	PHG DS8M-848-...						
	108	34.02	864	7,47	3,05	8		PHG DS8M-864-...					
	109	34.33	872	7,47	3,05	8		PHG DS8M-872-...					
	110	34.65	880	7,47	3,05	8		PHG DS8M-880-...					
	112	35.28	896	7,47	3,05	8		PHG DS8M-896-...					
	114	35.91	912	7,47	3,05	8		PHG DS8M-912-...					
	115	36.22	920	7,47	3,05	8		PHG DS8M-920-...					
	116	36.54	928	7,47	3,05	8		PHG DS8M-928-...					
	118	37.17	944	7,47	3,05	8		PHG DS8M-944-...					
	120	37.80	960	7,47	3,05	8		PHG DS8M-960-...					
	122	38.43	976	7,47	3,05	8		PHG DS8M-976-...					
	123	38.74	984	7,47	3,05	8		PHG DS8M-984-...					
	124	39.06	992	7,47	3,05	8		PHG DS8M-992-...					
	125	39.37	1 000	7,47	3,05	8		PHG DS8M-1000-...					
	126	39.69	1 008	7,47	3,05	8		PHG DS8M-1008-...					
	129	40.63	1 032	7,47	3,05	8		PHG DS8M-1032-...					
	130	40.94	1 040	7,47	3,05	8		PHG DS8M-1040-...					
	132	41.57	1 056	7,47	3,05	8		PHG DS8M-1056-...					
	133	41.89	1 064	7,47	3,05	8		PHG DS8M-1064-...					
	135	42.52	1 080	7,47	3,05	8		PHG DS8M-1080-...					
137	43.15	1 096	7,47	3,05	8	PHG DS8M-1096-...							
138	43.46	1 104	7,47	3,05	8	PHG DS8M-1104-...							
140	44.09	1 120	7,47	3,05	8	PHG DS8M-1120-...							
141	44.41	1 128	7,47	3,05	8	PHG DS8M-1128-...							
142	44.72	1 136	7,47	3,05	8	PHG DS8M-1136-...							
143	45.04	1 144	7,47	3,05	8	PHG DS8M-1144-...							
144	45.35	1 152	7,47	3,05	8	PHG DS8M-1152-...							
145	45.67	1 160	7,47	3,05	8	PHG DS8M-1160-...							
146	45.98	1 168	7,47	3,05	8	PHG DS8M-1168-...							
148	46.61	1 184	7,47	3,05	8	PHG DS8M-1184-...							
149	46.93	1 192	7,47	3,05	8	PHG DS8M-1192-...							
150	47.24	1 200	7,47	3,05	8	PHG DS8M-1200-...							
151	47.56	1 208	7,47	3,05	8	PHG DS8M-1208-...							
152	47.87	1 216	7,47	3,05	8	PHG DS8M-1216-...							
153	48.19	1 224	7,47	3,05	8	PHG DS8M-1224-...							
155	48.82	1 240	7,47	3,05	8	PHG DS8M-1240-...							
156	49.13	1 248	7,47	3,05	8	PHG DS8M-1248-...							
157	49.45	1 256	7,47	3,05	8	PHG DS8M-1256-...							
158	49.76	1 264	7,47	3,05	8	PHG DS8M-1264-...							
160	50.39	1 280	7,47	3,05	8	PHG DS8M-1280-...							
162	51.02	1 296	7,47	3,05	8	PHG DS8M-1296-...							
163	51.34	1 304	7,47	3,05	8	PHG DS8M-1304-...							
164	51.65	1 312	7,47	3,05	8	PHG DS8M-1312-...							
165	51.97	1 320	7,47	3,05	8	PHG DS8M-1320-...							
168	52.91	1 344	7,47	3,05	8	PHG DS8M-1344-...							
169	53.23	1 352	7,47	3,05	8	PHG DS8M-1352-...							
170	53.54	1 360	7,47	3,05	8	PHG DS8M-1360-...							
173	54.49	1 384	7,47	3,05	8	PHG DS8M-1384-...							
174	54.80	1 392	7,47	3,05	8	PHG DS8M-1392-...							
175	55.12	1 400	7,47	3,05	8	PHG DS8M-1400-...							
178	56.06	1 424	7,47	3,05	8	PHG DS8M-1424-...							
179	56.38	1 432	7,47	3,05	8	PHG DS8M-1432-...							
180	56.69	1 440	7,47	3,05	8	PHG DS8M-1440-...							
185	58.27	1 480	7,47	3,05	8	PHG DS8M-1480-...							
189	59.53	1 512	7,47	3,05	8	PHG DS8M-1512-...							

To complete designation add belt width in mm.  
 Non-standard lengths may also be available.  
 Full sleeves are available in various widths. Please contact your SKF Authorized Distributor.  
 For polyurethane version, add "PU" to the profile type. For example: PHG DS814MPU-6640-...

# Double-sided super torque timing belts

DS8M

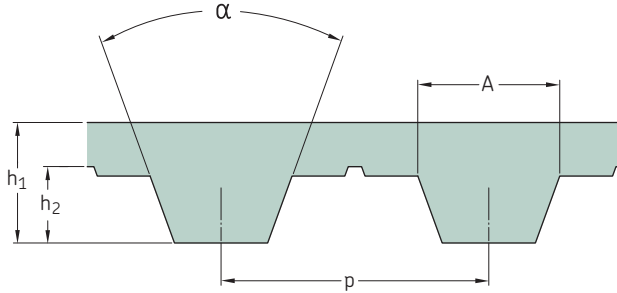


Section	Number of teeth	Dimensions		Designation			
		Pitch length		h	A	p	
		in.	mm				
DS8M	191	60.16	1 528	7,47	3,05	8	PHG DS8M-1528-...
	192	60.47	1 536	7,47	3,05	8	PHG DS8M-1536-...
	193	60.79	1 544	7,47	3,05	8	PHG DS8M-1544-...
	194	61.10	1 552	7,47	3,05	8	PHG DS8M-1552-...
	200	62.99	1 600	7,47	3,05	8	PHG DS8M-1600-...
	203	63.94	1 624	7,47	3,05	8	PHG DS8M-1624-...
	204	64.25	1 632	7,47	3,05	8	PHG DS8M-1632-...
	206	64.88	1 648	7,47	3,05	8	PHG DS8M-1648-...
	209	65.83	1 672	7,47	3,05	8	PHG DS8M-1672-...
	210	66.14	1 680	7,47	3,05	8	PHG DS8M-1680-...
	212	66.77	1 696	7,47	3,05	8	PHG DS8M-1696-...
	216	68.03	1 728	7,47	3,05	8	PHG DS8M-1728-...
	220	69.29	1 760	7,47	3,05	8	PHG DS8M-1760-...
	222	69.92	1 776	7,47	3,05	8	PHG DS8M-1776-...
	225	70.87	1 800	7,47	3,05	8	PHG DS8M-1800-...
	239	75.28	1 912	7,47	3,05	8	PHG DS8M-1912-...
	250	78.74	2 000	7,47	3,05	8	PHG DS8M-2000-...
	253	79.69	2 024	7,47	3,05	8	PHG DS8M-2024-...
	254	80.00	2 032	7,47	3,05	8	PHG DS8M-2032-...
	256	80.63	2 048	7,47	3,05	8	PHG DS8M-2048-...
	263	82.83	2 104	7,47	3,05	8	PHG DS8M-2104-...
	280	88.19	2 240	7,47	3,05	8	PHG DS8M-2240-...
	284	89.45	2 272	7,47	3,05	8	PHG DS8M-2272-...
	288	90.71	2 304	7,47	3,05	8	PHG DS8M-2304-...
	300	94.49	2 400	7,47	3,05	8	PHG DS8M-2400-...
	304	95.75	2 432	7,47	3,05	8	PHG DS8M-2432-...
	312	98.27	2 496	7,47	3,05	8	PHG DS8M-2496-...
	317	99.84	2 536	7,47	3,05	8	PHG DS8M-2536-...
	320	100.79	2 560	7,47	3,05	8	PHG DS8M-2560-...
	325	102.36	2 600	7,47	3,05	8	PHG DS8M-2600-...
	350	110.24	2 800	7,47	3,05	8	PHG DS8M-2800-...
	356	112.13	2 848	7,47	3,05	8	PHG DS8M-2848-...
	360	113.39	2 880	7,47	3,05	8	PHG DS8M-2880-...
	375	118.11	3 000	7,47	3,05	8	PHG DS8M-3000-...
	400	125.98	3 200	7,47	3,05	8	PHG DS8M-3200-...
	450	141.73	3 600	7,47	3,05	8	PHG DS8M-3600-...
	465	146.46	3 720	7,47	3,05	8	PHG DS8M-3720-...
	500	157.48	4 000	7,47	3,05	8	PHG DS8M-4000-...
	585	184.25	4 680	7,47	3,05	8	PHG DS8M-4680-...
	617	194.33	4 936	7,47	3,05	8	PHG DS8M-4936-...
635	200.00	5 080	7,47	3,05	8	PHG DS8M-5080-...	
700	220.47	5 600	7,47	3,05	8	PHG DS8M-5600-...	
712	224.25	5 696	7,47	3,05	8	PHG DS8M-5696-...	
830	261.42	6 640	7,47	3,05	8	PHG DS8M-6640-...	

To complete designation add belt width in mm.  
 Non-standard lengths may also be available.  
 Full sleeves are available in various widths. Please contact your SKF Authorized Distributor.  
 For polyurethane version, add "PU" to the profile type. For example: PHG DS814MPU-6640-...

SKF Metric Timing Belts

T2.5 | T5

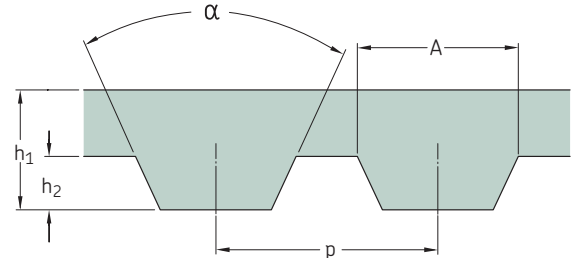
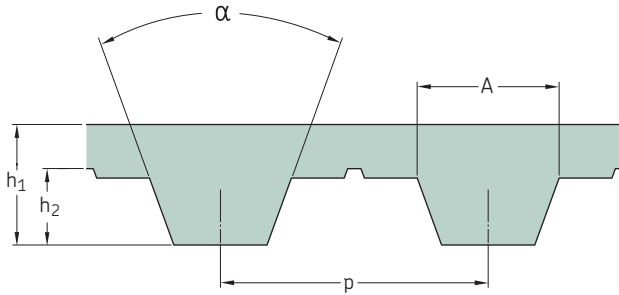


T

Section	Number of teeth	Dimensions					Designation	Section	Number of teeth	Dimensions					Designation			
		Pitch length		p	A	α				Pitch length		p	A	α				
mm		h <sub>1</sub>	h <sub>2</sub>				mm		h <sub>1</sub>	h <sub>2</sub>	mm				h <sub>1</sub>	h <sub>2</sub>	mm	
T2.5	41	102.5	1.3	0.7	2.5	1.50	40	PHG T2.5-102.5-...	T5	51	255.0	2.2	1.2	5.0	2.65	40	PHG T5-255-...	
	48	120.0	1.3	0.7	2.5	1.50	40	PHG T2.5-120-...		52	260.0	2.2	1.2	5.0	2.65	40	PHG T5-260-...	
	58	145.0	1.3	0.7	2.5	1.50	40	PHG T2.5-145-...		55	275.0	2.2	1.2	5.0	2.65	40	PHG T5-275-...	
	60	150.0	1.3	0.7	2.5	1.50	40	PHG T2.5-150-...		56	280.0	2.2	1.2	5.0	2.65	40	PHG T5-280-...	
	64	160.0	1.3	0.7	2.5	1.50	40	PHG T2.5-160-...		59	295.0	2.2	1.2	5.0	2.65	40	PHG T5-295-...	
	66	165.0	1.3	0.7	2.5	1.50	40	PHG T2.5-165-...		60	300.0	2.2	1.2	5.0	2.65	40	PHG T5-300-...	
	68	170.0	1.3	0.7	2.5	1.50	40	PHG T2.5-170-...		61	305.0	2.2	1.2	5.0	2.65	40	PHG T5-305-...	
	71	177.5	1.3	0.7	2.5	1.50	40	PHG T2.5-177.5-...		62	310.0	2.2	1.2	5.0	2.65	40	PHG T5-310-...	
	75	187.5	1.3	0.7	2.5	1.50	40	PHG T2.5-187.5-...		65	325.0	2.2	1.2	5.0	2.65	40	PHG T5-325-...	
	80	200.0	1.3	0.7	2.5	1.50	40	PHG T2.5-200-...		66	330.0	2.2	1.2	5.0	2.65	40	PHG T5-330-...	
	92	230.0	1.3	0.7	2.5	1.50	40	PHG T2.5-230-...		68	340.0	2.2	1.2	5.0	2.65	40	PHG T5-340-...	
	98	245.0	1.3	0.7	2.5	1.50	40	PHG T2.5-245-...		70	350.0	2.2	1.2	5.0	2.65	40	PHG T5-350-...	
	106	265.0	1.3	0.7	2.5	1.50	40	PHG T2.5-265-...		71	355.0	2.2	1.2	5.0	2.65	40	PHG T5-355-...	
	114	285.0	1.3	0.7	2.5	1.50	40	PHG T2.5-285-...		73	365.0	2.2	1.2	5.0	2.65	40	PHG T5-365-...	
	120	300.0	1.3	0.7	2.5	1.50	40	PHG T2.5-300-...		75	375.0	2.2	1.2	5.0	2.65	40	PHG T5-375-...	
	127	317.5	1.3	0.7	2.5	1.50	40	PHG T2.5-317.5-...		78	390.0	2.2	1.2	5.0	2.65	40	PHG T5-390-...	
	132	330.0	1.3	0.7	2.5	1.50	40	PHG T2.5-330-...		80	400.0	2.2	1.2	5.0	2.65	40	PHG T5-400-...	
	134	335.0	1.3	0.7	2.5	1.50	40	PHG T2.5-335-...		82	410.0	2.2	1.2	5.0	2.65	40	PHG T5-410-...	
	140	350.0	1.3	0.7	2.5	1.50	40	PHG T2.5-350-...		84	420.0	2.2	1.2	5.0	2.65	40	PHG T5-420-...	
	152	380.0	1.3	0.7	2.5	1.50	40	PHG T2.5-380-...		90	450.0	2.2	1.2	5.0	2.65	40	PHG T5-450-...	
	156	390.0	1.3	0.7	2.5	1.50	40	PHG T2.5-390-...		91	455.0	2.2	1.2	5.0	2.65	40	PHG T5-455-...	
	160	400.0	1.3	0.7	2.5	1.50	40	PHG T2.5-400-...		95	475.0	2.2	1.2	5.0	2.65	40	PHG T5-475-...	
	164	410.0	1.3	0.7	2.5	1.50	40	PHG T2.5-410-...		96	480.0	2.2	1.2	5.0	2.65	40	PHG T5-480-...	
	168	420.0	1.3	0.7	2.5	1.50	40	PHG T2.5-420-...		100	500.0	2.2	1.2	5.0	2.65	40	PHG T5-500-...	
	188	470.0	1.3	0.7	2.5	1.50	40	PHG T2.5-470-...		101	505.0	2.2	1.2	5.0	2.65	40	PHG T5-505-...	
	192	480.0	1.3	0.7	2.5	1.50	40	PHG T2.5-480-...		102	510.0	2.2	1.2	5.0	2.65	40	PHG T5-510-...	
	200	500.0	1.3	0.7	2.5	1.50	40	PHG T2.5-500-...		105	525.0	2.2	1.2	5.0	2.65	40	PHG T5-525-...	
	216	540.0	1.3	0.7	2.5	1.50	40	PHG T2.5-540-...		108	540.0	2.2	1.2	5.0	2.65	40	PHG T5-540-...	
	248	620.0	1.3	0.7	2.5	1.50	40	PHG T2.5-620-...		109	545.0	2.2	1.2	5.0	2.65	40	PHG T5-545-...	
	254	635.0	1.3	0.7	2.5	1.50	40	PHG T2.5-635-...		110	550.0	2.2	1.2	5.0	2.65	40	PHG T5-550-...	
	260	650.0	1.3	0.7	2.5	1.50	40	PHG T2.5-650-...		112	560.0	2.2	1.2	5.0	2.65	40	PHG T5-560-...	
	276	690.0	1.3	0.7	2.5	1.50	40	PHG T2.5-690-...		114	570.0	2.2	1.2	5.0	2.65	40	PHG T5-570-...	
	282	705.0	1.3	0.7	2.5	1.50	40	PHG T2.5-705-...		115	575.0	2.2	1.2	5.0	2.65	40	PHG T5-575-...	
	315	787.5	1.3	0.7	2.5	1.50	40	PHG T2.5-787.5-...		116	580.0	2.2	1.2	5.0	2.65	40	PHG T5-580-...	
	362	905.0	1.3	0.7	2.5	1.50	40	PHG T2.5-905-...		117	585.0	2.2	1.2	5.0	2.65	40	PHG T5-585-...	
	390	975.0	1.3	0.7	2.5	1.50	40	PHG T2.5-975-...		120	600.0	2.2	1.2	5.0	2.65	40	PHG T5-600-...	
	416	1 040.0	1.3	0.7	2.5	1.50	40	PHG T2.5-1040-...		122	610.0	2.2	1.2	5.0	2.65	40	PHG T5-610-...	
	436	1 090.0	1.3	0.7	2.5	1.50	40	PHG T2.5-1090-...		124	620.0	2.2	1.2	5.0	2.65	40	PHG T5-620-...	
	438	1 095.0	1.3	0.7	2.5	1.50	40	PHG T2.5-1095-...		126	630.0	2.2	1.2	5.0	2.65	40	PHG T5-630-...	
	451	1 127.5	1.3	0.7	2.5	1.50	40	PHG T2.5-1127.5-...		127	635.0	2.2	1.2	5.0	2.65	40	PHG T5-635-...	
	518	1 295.0	1.3	0.7	2.5	1.50	40	PHG T2.5-1295-...		130	650.0	2.2	1.2	5.0	2.65	40	PHG T5-650-...	
	538	1 345.0	1.3	0.7	2.5	1.50	40	PHG T2.5-1345-...		133	665.0	2.2	1.2	5.0	2.65	40	PHG T5-665-...	
	T5	23	115.0	2.2	1.2	5.0	2.65	40		PHG T5-115-...	135	675.0	2.2	1.2	5.0	2.65	40	PHG T5-675-...
		30	150.0	2.2	1.2	5.0	2.65	40		PHG T5-150-...	137	685.0	2.2	1.2	5.0	2.65	40	PHG T5-685-...
		33	165.0	2.2	1.2	5.0	2.65	40		PHG T5-165-...	138	690.0	2.2	1.2	5.0	2.65	40	PHG T5-690-...
		37	185.0	2.2	1.2	5.0	2.65	40		PHG T5-185-...	140	700.0	2.2	1.2	5.0	2.65	40	PHG T5-700-...
38		190.0	2.2	1.2	5.0	2.65	40	PHG T5-190-...	142	710.0	2.2	1.2	5.0	2.65	40	PHG T5-710-...		
40		200.0	2.2	1.2	5.0	2.65	40	PHG T5-200-...	144	720.0	2.2	1.2	5.0	2.65	40	PHG T5-720-...		
42		210.0	2.2	1.2	5.0	2.65	40	PHG T5-210-...	145	725.0	2.2	1.2	5.0	2.65	40	PHG T5-725-...		
43		215.0	2.2	1.2	5.0	2.65	40	PHG T5-215-...	148	740.0	2.2	1.2	5.0	2.65	40	PHG T5-740-...		
44		220.0	2.2	1.2	5.0	2.65	40	PHG T5-220-...	150	750.0	2.2	1.2	5.0	2.65	40	PHG T5-750-...		
45		225.0	2.2	1.2	5.0	2.65	40	PHG T5-225-...	156	780.0	2.2	1.2	5.0	2.65	40	PHG T5-780-...		
48		240.0	2.2	1.2	5.0	2.65	40	PHG T5-240-...	158	790.0	2.2	1.2	5.0	2.65	40	PHG T5-790-...		
50		250.0	2.2	1.2	5.0	2.65	40	PHG T5-250-...	160	800.0	2.2	1.2	5.0	2.65	40	PHG T5-800-...		
										161	805.0	2.2	1.2	5.0	2.65	40	PHG T5-805-...	

Non-standard lengths may also be available.  
 To complete designation add belt width in mm.  
 Full sleeves are available in various widths. Please contact your SKF Authorized Distributor.





T

AT

Section	Number of teeth	Dimensions					Designation	
		Pitch length	$h_1$	$h_2$	$p$	$A$		$\alpha$
mm							°	
T5	162	810,0	2,2	1,2	5,0	2,65	40	PHG T5-810-...
	163	815,0	2,2	1,2	5,0	2,65	40	PHG T5-815-...
	170	850,0	2,2	1,2	5,0	2,65	40	PHG T5-850-...
	172	860,0	2,2	1,2	5,0	2,65	40	PHG T5-860-...
	177	885,0	2,2	1,2	5,0	2,65	40	PHG T5-885-...
	180	900,0	2,2	1,2	5,0	2,65	40	PHG T5-900-...
	182	910,0	2,2	1,2	5,0	2,65	40	PHG T5-910-...
	188	940,0	2,2	1,2	5,0	2,65	40	PHG T5-940-...
	198	990,0	2,2	1,2	5,0	2,65	40	PHG T5-990-...
	199	995,0	2,2	1,2	5,0	2,65	40	PHG T5-995-...
	200	1 000,0	2,2	1,2	5,0	2,65	40	PHG T5-1000-...
	204	1 020,0	2,2	1,2	5,0	2,65	40	PHG T5-1020-...
	206	1 030,0	2,2	1,2	5,0	2,65	40	PHG T5-1030-...
	209	1 045,0	2,2	1,2	5,0	2,65	40	PHG T5-1045-...
	210	1 050,0	2,2	1,2	5,0	2,65	40	PHG T5-1050-...
	212	1 060,0	2,2	1,2	5,0	2,65	40	PHG T5-1060-...
	215	1 075,0	2,2	1,2	5,0	2,65	40	PHG T5-1075-...
	220	1 100,0	2,2	1,2	5,0	2,65	40	PHG T5-1100-...
	224	1 120,0	2,2	1,2	5,0	2,65	40	PHG T5-1120-...
	228	1 140,0	2,2	1,2	5,0	2,65	40	PHG T5-1140-...
	240	1 200,0	2,2	1,2	5,0	2,65	40	PHG T5-1200-...
	243	1 215,0	2,2	1,2	5,0	2,65	40	PHG T5-1215-...
	252	1 260,0	2,2	1,2	5,0	2,65	40	PHG T5-1260-...
	254	1 270,0	2,2	1,2	5,0	2,65	40	PHG T5-1270-...
255	1 275,0	2,2	1,2	5,0	2,65	40	PHG T5-1275-...	
260	1 300,0	2,2	1,2	5,0	2,65	40	PHG T5-1300-...	
265	1 325,0	2,2	1,2	5,0	2,65	40	PHG T5-1325-...	
276	1 380,0	2,2	1,2	5,0	2,65	40	PHG T5-1380-...	
278	1 390,0	2,2	1,2	5,0	2,65	40	PHG T5-1390-...	
283	1 415,0	2,2	1,2	5,0	2,65	40	PHG T5-1415-...	
304	1 520,0	2,2	1,2	5,0	2,65	40	PHG T5-1520-...	
326	1 630,0	2,2	1,2	5,0	2,65	40	PHG T5-1630-...	
348	1 740,0	2,2	1,2	5,0	2,65	40	PHG T5-1740-...	
352	1 760,0	2,2	1,2	5,0	2,65	40	PHG T5-1760-...	
360	1 800,0	2,2	1,2	5,0	2,65	40	PHG T5-1800-...	
376	1 880,0	2,2	1,2	5,0	2,65	40	PHG T5-1880-...	
380	1 900,0	2,2	1,2	5,0	2,65	40	PHG T5-1900-...	
388	1 940,0	2,2	1,2	5,0	2,65	40	PHG T5-1940-...	
392	1 960,0	2,2	1,2	5,0	2,65	40	PHG T5-1960-...	
424	2 120,0	2,2	1,2	5,0	2,65	40	PHG T5-2120-...	
432	2 160,0	2,2	1,2	5,0	2,65	40	PHG T5-2160-...	
444	2 220,0	2,2	1,2	5,0	2,65	40	PHG T5-2220-...	
452	2 260,0	2,2	1,2	5,0	2,65	40	PHG T5-2260-...	
456	2 280,0	2,2	1,2	5,0	2,65	40	PHG T5-2280-...	
612	3 060,0	2,2	1,2	5,0	2,65	40	PHG T5-3060-...	
651	3 255,0	2,2	1,2	5,0	2,65	40	PHG T5-3255-...	
658	3 290,0	2,2	1,2	5,0	2,65	40	PHG T5-3290-...	
708	3 540,0	2,2	1,2	5,0	2,65	40	PHG T5-3540-...	
750	3 750,0	2,2	1,2	5,0	2,65	40	PHG T5-3750-...	
815	4 075,0	2,2	1,2	5,0	2,65	40	PHG T5-4075-...	
T10	26	260,0	4,5	2,5	10,0	5,30	40	PHG T10-260-...
	32	320,0	4,5	2,5	10,0	5,30	40	PHG T10-320-...
	34	340,0	4,5	2,5	10,0	5,30	40	PHG T10-340-...
	37	370,0	4,5	2,5	10,0	5,30	40	PHG T10-370-...
	40	400,0	4,5	2,5	10,0	5,30	40	PHG T10-400-...

Section	Number of teeth	Dimensions					Designation	
		Pitch length	$h_1$	$h_2$	$p$	$A$		$\alpha$
mm							°	
T10	41	410,0	4,5	2,5	10,0	5,30	40	PHG T10-410-...
	44	440,0	4,5	2,5	10,0	5,30	40	PHG T10-440-...
	45	450,0	4,5	2,5	10,0	5,30	40	PHG T10-450-...
	46	460,0	4,5	2,5	10,0	5,30	40	PHG T10-460-...
	48	480,0	4,5	2,5	10,0	5,30	40	PHG T10-480-...
	50	500,0	4,5	2,5	10,0	5,30	40	PHG T10-500-...
	53	530,0	4,5	2,5	10,0	5,30	40	PHG T10-530-...
	54	540,0	4,5	2,5	10,0	5,30	40	PHG T10-540-...
	55	550,0	4,5	2,5	10,0	5,30	40	PHG T10-550-...
	56	560,0	4,5	2,5	10,0	5,30	40	PHG T10-560-...
	58	580,0	4,5	2,5	10,0	5,30	40	PHG T10-580-...
	60	600,0	4,5	2,5	10,0	5,30	40	PHG T10-600-...
	61	610,0	4,5	2,5	10,0	5,30	40	PHG T10-610-...
	63	630,0	4,5	2,5	10,0	5,30	40	PHG T10-630-...
	65	650,0	4,5	2,5	10,0	5,30	40	PHG T10-650-...
	66	660,0	4,5	2,5	10,0	5,30	40	PHG T10-660-...
	69	690,0	4,5	2,5	10,0	5,30	40	PHG T10-690-...
	70	700,0	4,5	2,5	10,0	5,30	40	PHG T10-700-...
	72	720,0	4,5	2,5	10,0	5,30	40	PHG T10-720-...
	73	730,0	4,5	2,5	10,0	5,30	40	PHG T10-730-...
	75	750,0	4,5	2,5	10,0	5,30	40	PHG T10-750-...
	77	770,0	4,5	2,5	10,0	5,30	40	PHG T10-770-...
	78	780,0	4,5	2,5	10,0	5,30	40	PHG T10-780-...
	80	800,0	4,5	2,5	10,0	5,30	40	PHG T10-800-...
81	810,0	4,5	2,5	10,0	5,30	40	PHG T10-810-...	
84	840,0	4,5	2,5	10,0	5,30	40	PHG T10-840-...	
85	850,0	4,5	2,5	10,0	5,30	40	PHG T10-850-...	
88	880,0	4,5	2,5	10,0	5,30	40	PHG T10-880-...	
89	890,0	4,5	2,5	10,0	5,30	40	PHG T10-890-...	
90	900,0	4,5	2,5	10,0	5,30	40	PHG T10-900-...	
91	910,0	4,5	2,5	10,0	5,30	40	PHG T10-910-...	
92	920,0	4,5	2,5	10,0	5,30	40	PHG T10-920-...	
95	950,0	4,5	2,5	10,0	5,30	40	PHG T10-950-...	
96	960,0	4,5	2,5	10,0	5,30	40	PHG T10-960-...	
97	970,0	4,5	2,5	10,0	5,30	40	PHG T10-970-...	
98	980,0	4,5	2,5	10,0	5,30	40	PHG T10-980-...	
100	1 000,0	4,5	2,5	10,0	5,30	40	PHG T10-1000-...	
101	1 010,0	4,5	2,5	10,0	5,30	40	PHG T10-1010-...	
103	1 030,0	4,5	2,5	10,0	5,30	40	PHG T10-1030-...	
104	1 040,0	4,5	2,5	10,0	5,30	40	PHG T10-1040-...	
105	1 050,0	4,5	2,5	10,0	5,30	40	PHG T10-1050-...	
108	1 080,0	4,5	2,5	10,0	5,30	40	PHG T10-1080-...	
110	1 100,0	4,5	2,5	10,0	5,30	40	PHG T10-1100-...	
111	1 110,0	4,5	2,5	10,0	5,30	40	PHG T10-1110-...	
114	1 140,0	4,5	2,5	10,0	5,30	40	PHG T10-1140-...	
115	1 150,0	4,5	2,5	10,0	5,30	40	PHG T10-1150-...	
120	1 200,0	4,5	2,5	10,0	5,30	40	PHG T10-1200-...	
121	1 210,0	4,5	2,5	10,0	5,30	40	PHG T10-1210-...	
124	1 240,0	4,5	2,5	10,0	5,30	40	PHG T10-1240-...	
125	1 250,0	4,5	2,5	10,0	5,30	40	PHG T10-1250-...	
126	1 260,0	4,5	2,5	10,0	5,30	40	PHG T10-1260-...	
128	1 280,0	4,5	2,5	10,0	5,30	40	PHG T10-1280-...	
130	1 300,0	4,5	2,5	10,0	5,30	40	PHG T10-1300-...	
132	1 320,0	4,5	2,5	10,0	5,30	40	PHG T10-1320-...	
135	1 350,0	4,5	2,5	10,0	5,30	40	PHG T10-1350-...	

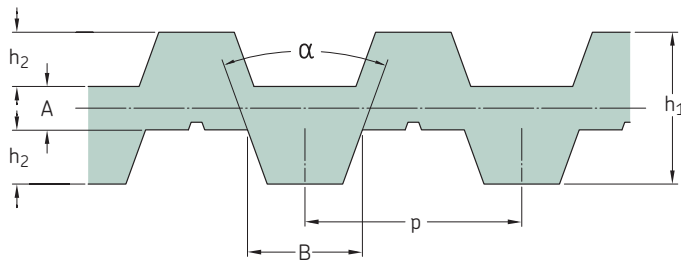
Non-standard lengths may also be available.  
To complete designation add belt width in mm.  
Full sleeves are available in various widths. Please contact your SKF Authorized Distributor.





# SKF Double-sided Metric Timing Belts

D-T5



Section	Number of teeth per side	Dimensions Pitch length	Dimensions						Designation
			$h_2$	A	B	p	$h_1$	$\alpha$	
–	–	mm						°	–
D-T5	100	500	1,20	1,0	2,65	5,0	3,40	40	PHG DB-T5-500-...
	101	505	1,20	1,0	2,65	5,0	3,40	40	PHG DB-T5-505-...
	102	510	1,20	1,0	2,65	5,0	3,40	40	PHG DB-T5-510-...
	105	525	1,20	1,0	2,65	5,0	3,40	40	PHG DB-T5-525-...
	108	540	1,20	1,0	2,65	5,0	3,40	40	PHG DB-T5-540-...
	109	545	1,20	1,0	2,65	5,0	3,40	40	PHG DB-T5-545-...
	110	550	1,20	1,0	2,65	5,0	3,40	40	PHG DB-T5-550-...
	112	560	1,20	1,0	2,65	5,0	3,40	40	PHG DB-T5-560-...
	114	570	1,20	1,0	2,65	5,0	3,40	40	PHG DB-T5-570-...
	115	575	1,20	1,0	2,65	5,0	3,40	40	PHG DB-T5-575-...
	116	580	1,20	1,0	2,65	5,0	3,40	40	PHG DB-T5-580-...
	117	585	1,20	1,0	2,65	5,0	3,40	40	PHG DB-T5-585-...
	120	600	1,20	1,0	2,65	5,0	3,40	40	PHG DB-T5-600-...
	122	610	1,20	1,0	2,65	5,0	3,40	40	PHG DB-T5-610-...
	124	620	1,20	1,0	2,65	5,0	3,40	40	PHG DB-T5-620-...
	126	630	1,20	1,0	2,65	5,0	3,40	40	PHG DB-T5-630-...
	127	635	1,20	1,0	2,65	5,0	3,40	40	PHG DB-T5-635-...
	130	650	1,20	1,0	2,65	5,0	3,40	40	PHG DB-T5-650-...
	133	665	1,20	1,0	2,65	5,0	3,40	40	PHG DB-T5-665-...
	135	675	1,20	1,0	2,65	5,0	3,40	40	PHG DB-T5-675-...
	137	685	1,20	1,0	2,65	5,0	3,40	40	PHG DB-T5-685-...
	138	690	1,20	1,0	2,65	5,0	3,40	40	PHG DB-T5-690-...
	140	700	1,20	1,0	2,65	5,0	3,40	40	PHG DB-T5-700-...
	142	710	1,20	1,0	2,65	5,0	3,40	40	PHG DB-T5-710-...
	144	720	1,20	1,0	2,65	5,0	3,40	40	PHG DB-T5-720-...
	145	725	1,20	1,0	2,65	5,0	3,40	40	PHG DB-T5-725-...
	148	740	1,20	1,0	2,65	5,0	3,40	40	PHG DB-T5-740-...
	150	750	1,20	1,0	2,65	5,0	3,40	40	PHG DB-T5-750-...
	156	780	1,20	1,0	2,65	5,0	3,40	40	PHG DB-T5-780-...
	158	790	1,20	1,0	2,65	5,0	3,40	40	PHG DB-T5-790-...
	160	800	1,20	1,0	2,65	5,0	3,40	40	PHG DB-T5-800-...
	161	805	1,20	1,0	2,65	5,0	3,40	40	PHG DB-T5-805-...
	162	810	1,20	1,0	2,65	5,0	3,40	40	PHG DB-T5-810-...
	163	815	1,20	1,0	2,65	5,0	3,40	40	PHG DB-T5-815-...
	168	840	1,20	1,0	2,65	5,0	3,40	40	PHG DB-T5-840-...
	170	850	1,20	1,0	2,65	5,0	3,40	40	PHG DB-T5-850-...
	172	860	1,20	1,0	2,65	5,0	3,40	40	PHG DB-T5-860-...
	180	900	1,20	1,0	2,65	5,0	3,40	40	PHG DB-T5-900-...
	188	940	1,20	1,0	2,65	5,0	3,40	40	PHG DB-T5-940-...
	198	990	1,20	1,0	2,65	5,0	3,40	40	PHG DB-T5-990-...
	199	995	1,20	1,0	2,65	5,0	3,40	40	PHG DB-T5-995-...
	200	1 000	1,20	1,0	2,65	5,0	3,40	40	PHG DB-T5-1000-...
	204	1 020	1,20	1,0	2,65	5,0	3,40	40	PHG DB-T5-1020-...
	206	1 030	1,20	1,0	2,65	5,0	3,40	40	PHG DB-T5-1030-...
	209	1 045	1,20	1,0	2,65	5,0	3,40	40	PHG DB-T5-1045-...
210	1 050	1,20	1,0	2,65	5,0	3,40	40	PHG DB-T5-1050-...	
212	1 060	1,20	1,0	2,65	5,0	3,40	40	PHG DB-T5-1060-...	
215	1 075	1,20	1,0	2,65	5,0	3,40	40	PHG DB-T5-1075-...	
220	1 100	1,20	1,0	2,65	5,0	3,40	40	PHG DB-T5-1100-...	
224	1 120	1,20	1,0	2,65	5,0	3,40	40	PHG DB-T5-1120-...	
228	1 140	1,20	1,0	2,65	5,0	3,40	40	PHG DB-T5-1140-...	
240	1 200	1,20	1,0	2,65	5,0	3,40	40	PHG DB-T5-1200-...	
243	1 215	1,20	1,0	2,65	5,0	3,40	40	PHG DB-T5-1215-...	
252	1 260	1,20	1,0	2,65	5,0	3,40	40	PHG DB-T5-1260-...	
254	1 270	1,20	1,0	2,65	5,0	3,40	40	PHG DB-T5-1270-...	

Non-standard lengths may also be available.

To complete designation add belt width in mm.

Double-sided metric belts are available in symmetric (DA) and asymmetric (DB) tooth profiles. Symmetric will be supplied unless otherwise specified.

Full sleeves are available in various widths. Please contact your SKF Authorized Distributor.

# SKF Double-sided Metric Timing Belts

D-T5 | D-T10

Section	Number of teeth per side	Dimensions Pitch length	Dimensions						Designation
			$h_2$	A	B	p	$h_1$	$\alpha$	
–	–	mm	–	–	–	–	–	°	–
D-T5	255	1 275	1,20	1,0	2,65	5,0	3,40	40	PHG DB-T5-1275-...
	260	1 300	1,20	1,0	2,65	5,0	3,40	40	PHG DB-T5-1300-...
	265	1 325	1,20	1,0	2,65	5,0	3,40	40	PHG DB-T5-1325-...
	276	1 380	1,20	1,0	2,65	5,0	3,40	40	PHG DB-T5-1380-...
	278	1 390	1,20	1,0	2,65	5,0	3,40	40	PHG DB-T5-1390-...
	283	1 415	1,20	1,0	2,65	5,0	3,40	40	PHG DB-T5-1415-...
D-T10	90	900	2,50	2,0	5,30	10,0	7,00	40	PHG DB-T10-900-...
	91	910	2,50	2,0	5,30	10,0	7,00	40	PHG DB-T10-910-...
	92	920	2,50	2,0	5,30	10,0	7,00	40	PHG DB-T10-920-...
	95	950	2,50	2,0	5,30	10,0	7,00	40	PHG DB-T10-950-...
	95	950	2,50	2,0	5,30	10,0	7,00	40	PHG DB-T10-950-...
	96	960	2,50	2,0	5,30	10,0	7,00	40	PHG DB-T10-960-...
	97	970	2,50	2,0	5,30	10,0	7,00	40	PHG DB-T10-970-...
	98	980	2,50	2,0	5,30	10,0	7,00	40	PHG DB-T10-980-...
	100	1 000	2,50	2,0	5,30	10,0	7,00	40	PHG DB-T10-1000-...
	101	1 010	2,50	2,0	5,30	10,0	7,00	40	PHG DB-T10-1010-...
	103	1 030	2,50	2,0	5,30	10,0	7,00	40	PHG DB-T10-1030-...
	104	1 040	2,50	2,0	5,30	10,0	7,00	40	PHG DB-T10-1040-...
	105	1 050	2,50	2,0	5,30	10,0	7,00	40	PHG DB-T10-1050-...
	108	1 080	2,50	2,0	5,30	10,0	7,00	40	PHG DB-T10-1080-...
	110	1 100	2,50	2,0	5,30	10,0	7,00	40	PHG DB-T10-1100-...
	111	1 110	2,50	2,0	5,30	10,0	7,00	40	PHG DB-T10-1110-...
	114	1 140	2,50	2,0	5,30	10,0	7,00	40	PHG DB-T10-1140-...
	115	1 150	2,50	2,0	5,30	10,0	7,00	40	PHG DB-T10-1150-...
	120	1 200	2,50	2,0	5,30	10,0	7,00	40	PHG DB-T10-1200-...
	121	1 210	2,50	2,0	5,30	10,0	7,00	40	PHG DB-T10-1210-...
	124	1 240	2,50	2,0	5,30	10,0	7,00	40	PHG DB-T10-1240-...
	125	1 250	2,50	2,0	5,30	10,0	7,00	40	PHG DB-T10-1250-...
	126	1 260	2,50	2,0	5,30	10,0	7,00	40	PHG DB-T10-1260-...
	128	1 280	2,50	2,0	5,30	10,0	7,00	40	PHG DB-T10-1280-...
	130	1 300	2,50	2,0	5,30	10,0	7,00	40	PHG DB-T10-1300-...
	132	1 320	2,50	2,0	5,30	10,0	7,00	40	PHG DB-T10-1320-...
	135	1 350	2,50	2,0	5,30	10,0	7,00	40	PHG DB-T10-1350-...
	139	1 390	2,50	2,0	5,30	10,0	7,00	40	PHG DB-T10-1390-...
	140	1 400	2,50	2,0	5,30	10,0	7,00	40	PHG DB-T10-1400-...
	142	1 420	2,50	2,0	5,30	10,0	7,00	40	PHG DB-T10-1420-...
	144	1 440	2,50	2,0	5,30	10,0	7,00	40	PHG DB-T10-1440-...
	145	1 450	2,50	2,0	5,30	10,0	7,00	40	PHG DB-T10-1450-...
	146	1 460	2,50	2,0	5,30	10,0	7,00	40	PHG DB-T10-1460-...
	148	1 480	2,50	2,0	5,30	10,0	7,00	40	PHG DB-T10-1480-...
	150	1 500	2,50	2,0	5,30	10,0	7,00	40	PHG DB-T10-1500-...
	152	1 520	2,50	2,0	5,30	10,0	7,00	40	PHG DB-T10-1520-...
	156	1 560	2,50	2,0	5,30	10,0	7,00	40	PHG DB-T10-1560-...
	160	1 600	2,50	2,0	5,30	10,0	7,00	40	PHG DB-T10-1600-...
	161	1 610	2,50	2,0	5,30	10,0	7,00	40	PHG DB-T10-1610-...
	164	1 640	2,50	2,0	5,30	10,0	7,00	40	PHG DB-T10-1640-...
	164	1 640	2,50	2,0	5,30	10,0	7,00	40	PHG DB-T10-1640-...
	169	1 690	2,50	2,0	5,30	10,0	7,00	40	PHG DB-T10-1690-...
	170	1 700	2,50	2,0	5,30	10,0	7,00	40	PHG DB-T10-1700-...
	175	1 750	2,50	2,0	5,30	10,0	7,00	40	PHG DB-T10-1750-...
	178	1 780	2,50	2,0	5,30	10,0	7,00	40	PHG DB-T10-1780-...
	180	1 800	2,50	2,0	5,30	10,0	7,00	40	PHG DB-T10-1800-...
	186	1 860	2,50	2,0	5,30	10,0	7,00	40	PHG DB-T10-1860-...
	188	1 880	2,50	2,0	5,30	10,0	7,00	40	PHG DB-T10-1880-...
	196	1 960	2,50	2,0	5,30	10,0	7,00	40	PHG DB-T10-1960-...
	198	1 980	2,50	2,0	5,30	10,0	7,00	40	PHG DB-T10-1980-...
202	2 020	2,50	2,0	5,30	10,0	7,00	40	PHG DB-T10-2020-...	
208	2 080	2,50	2,0	5,30	10,0	7,00	40	PHG DB-T10-2080-...	
209	2 090	2,50	2,0	5,30	10,0	7,00	40	PHG DB-T10-2090-...	
210	2 100	2,50	2,0	5,30	10,0	7,00	40	PHG DB-T10-2100-...	
220	2 200	2,50	2,0	5,30	10,0	7,00	40	PHG DB-T10-2200-...	
225	2 250	2,50	2,0	5,30	10,0	7,00	40	PHG DB-T10-2250-...	
227	2 270	2,50	2,0	5,30	10,0	7,00	40	PHG DB-T10-2270-...	
230	2 300	2,50	2,0	5,30	10,0	7,00	40	PHG DB-T10-2300-...	
234	2 340	2,50	2,0	5,30	10,0	7,00	40	PHG DB-T10-2340-...	
236	2 360	2,50	2,0	5,30	10,0	7,00	40	PHG DB-T10-2360-...	
238	2 380	2,50	2,0	5,30	10,0	7,00	40	PHG DB-T10-2380-...	
243	2 430	2,50	2,0	5,30	10,0	7,00	40	PHG DB-T10-2430-...	
248	2 480	2,50	2,0	5,30	10,0	7,00	40	PHG DB-T10-2480-...	
250	2 500	2,50	2,0	5,30	10,0	7,00	40	PHG DB-T10-2500-...	
254	2 540	2,50	2,0	5,30	10,0	7,00	40	PHG DB-T10-2540-...	
259	2 590	2,50	2,0	5,30	10,0	7,00	40	PHG DB-T10-2590-...	
260	2 600	2,50	2,0	5,30	10,0	7,00	40	PHG DB-T10-2600-...	
261	2 610	2,50	2,0	5,30	10,0	7,00	40	PHG DB-T10-2610-...	
265	2 650	2,50	2,0	5,30	10,0	7,00	40	PHG DB-T10-2650-...	
280	2 800	2,50	2,0	5,30	10,0	7,00	40	PHG DB-T10-2800-...	

Non-standard lengths may also be available.

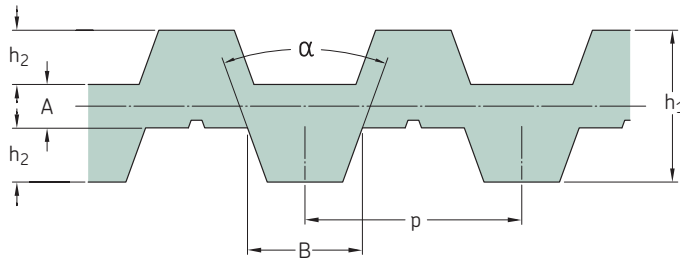
To complete designation add belt width in mm.

Double-sided metric belts are available in symmetric (DA) and asymmetric (DB) tooth profiles. Symmetric will be supplied unless otherwise specified.

Full sleeves are available in various widths. Please contact your SKF Authorized Distributor.

# SKF Double-sided Metric Timing Belts

D-T10 | D-T20





















Section	Number of teeth per side	Dimensions Pitch length	Dimensions						Designation
			$h_2$	A	B	p	$h_1$	$\alpha$	
-	-	mm						°	-
D-T10	288	2 880	2,50	2,0	5,30	10,0	7,00	40	PHG DB-T10-2880-...
	300	3 000	2,50	2,0	5,30	10,0	7,00	40	PHG DB-T10-3000-...
D-T20	85	1 700	5,00	3,0	10,15	20,0	13,00	40	PHG DB-T20-1700-...
	89	1 780	5,00	3,0	10,15	20,0	13,00	40	PHG DB-T20-1780-...
	94	1 880	5,00	3,0	10,15	20,0	13,00	40	PHG DB-T20-1880-...
	102	2 040	5,00	3,0	10,15	20,0	13,00	40	PHG DB-T20-2040-...
	110	2 200	5,00	3,0	10,15	20,0	13,00	40	PHG DB-T20-2200-...
	112	2 240	5,00	3,0	10,15	20,0	13,00	40	PHG DB-T20-2240-...
	130	2 600	5,00	3,0	10,15	20,0	13,00	40	PHG DB-T20-2600-...
	136	2 720	5,00	3,0	10,15	20,0	13,00	40	PHG DB-T20-2720-...
	137	2 740	5,00	3,0	10,15	20,0	13,00	40	PHG DB-T20-2740-...
	138	2 760	5,00	3,0	10,15	20,0	13,00	40	PHG DB-T20-2760-...
	155	3 100	5,00	3,0	10,15	20,0	13,00	40	PHG DB-T20-3100-...
	181	3 620	5,00	3,0	10,15	20,0	13,00	40	PHG DB-T20-3620-...
	238	4 760	5,00	3,0	10,15	20,0	13,00	40	PHG DB-T20-4760-...
	250	5 000	5,00	3,0	10,15	20,0	13,00	40	PHG DB-T20-5000-...

Non-standard lengths may also be available.  
 To complete designation add belt width in mm.  
 Double-sided metric belts are available in symmetric (DA) and asymmetric (DB) tooth profiles. Symmetric will be supplied unless otherwise specified.  
 Full sleeves are available in various widths. Please contact your SKF Authorized Distributor.





# Chains

	Roller chains . . . . .	78		Double pitch chains Transmission attachments. . . . .	91
	Roller chain attachments A-1, K-1. . . . .	80		Conveyor chains C series . . . . .	92
	Roller chain attachments SA-1/M1, SK-1/M1. . . . .	81		Conveyor chain C series attachments. . . . .	93
	Roller chain attachments WA-1, WA-2, WK-1, WK-2 . . . . .	82		Conveyor chains M series. . . . .	95
	Roller chain attachments WSA-1, WSA-2, WSK-1, WSK-2 . . . . .	83		Conveyor chains Lumber mill series, 3939 series . . . . .	96
	SKF Xtra Strength Chains. . . . .	84		Silent chains . . . . .	97
	SKF Xtra Corrosion Resistant Chains . . . . .	86		Leaf chains. . . . .	98
	Roller chains Side bow, SKF Xtra Performance SLR Chains . . . . .	87			
	Oil field chains . . . . .	88			
	Straight side plate chains. . . . .	89			
	Double pitch chains . . . . .	90			

## SKF Chains

SKF chain range nomenclature has a defined prefix of PHC. All standardized chains we produce conform to conventional basic part number format – ISO, BS, or DIN.

## Roller Chains

The Roller chains designation format is constant through the range, with the following example to indicate set up.

### SKF Designation prefix

PHC 80 - 1 C X10FT

#### Chain type

ANSI – 25 -240  
BS – 05B- 72B

#### No of strands

Simplex– single (-1), Duplex - double (-2)  
Triplex – triple (-3)

#### Supplementary

Many different supplementary designations, examples  
C- cottered type  
SS – stainless steel  
C/L – connector link

#### Note

See SKF product training for full supplementary notations

#### Chain length

Standard box – 10FT or 5MTR  
Non standard example – 164LINKS



## SKF Chains

SKF chain range nomenclature has a defined prefix of PHC. All standardized chains we produce conform to conventional basic part number format – ISO, BS, or DIN.

### Special chains – Leaf, Conveyor

The special and conveyor chains designation format is constant through the range, but there are very many combinations of materials, attachments and special considerations, the following is an example to indicate set up.

#### SKF Designation prefix

PHC C2080H - L1A2 X10FT

#### Chain type

Leaf – BL, AL, FL, LL  
Conveyor – C, M, FV, Z – variations based on hollow shafts, rollers and side plates heights  
\*note more chain types available. Check catalogue

#### Supplementary

Many different supplementary designations, examples  
C – cottered type  
SS – stainless steel  
C/L – connector link

#### Note

See SKF product training for full supplementary notations

#### Chain length

Standard length – 10FT or 5MTR  
Non standard example – 164LINKS

## Chains (PHC Product Group)

SKF chains completely conform to international standards (ISO) and other advanced industrial standards (i.e. ANSI and DIN) as shown below:

- Short pitch transmission precision roller chains are manufactured according to ISO 606-1994, ASME B29.1M-1993 and DIN 8187/DIN 8188
- Double pitch precision roller chains for transmission and conveyors are manufactured according to ISO 1275-1995, ASME B29.3M-1994/AMSE B29.4M-1994 and DIN 8181-2000
- Short pitch transmission precision bush chains are manufactured according to ISO 1395-1997, ASME B29.12M-1997 and DIN 8154/DIN 8164
- Steel roller chains/attachments (types S and C) are manufactured according to ISO 487-1998, ASME B29.19M-1996 and DIN 8169-1997
- Conveyor chains/attachments are manufactured according to ISO 1977-2000, ASME B29.15M-1997 and DIN 8165/DIN 8166/DIN 8167
- Heavy duty cranked link transmission chains are manufactured according to ISO 3512, ASME B29.10M-1997 and DIN 8182

- Leaf chains are manufactured according to ISO 4347-1992, ASME B29.8M-1983 and DIN 8152
- Welded steel type cranked link drag chains are manufactured according to ISO 6971-2002 and ASME B29.200-2001
- Welded steel type cranked link mill chains are manufactured according to ISO 6972-2002 and ASME B29.200-2001
- Silent chains are manufactured according to ASME B29.2M-1982 and DIN 8190
- Open barrel steel pintle type conveyor chains/attachments are manufactured according to ASME B29.25M-1994
- Oil field chains are manufactured according to API SPEC 7F-1993
- Hollow pin chains are manufactured according to ASME B29.27M-2001 and DIN 8168

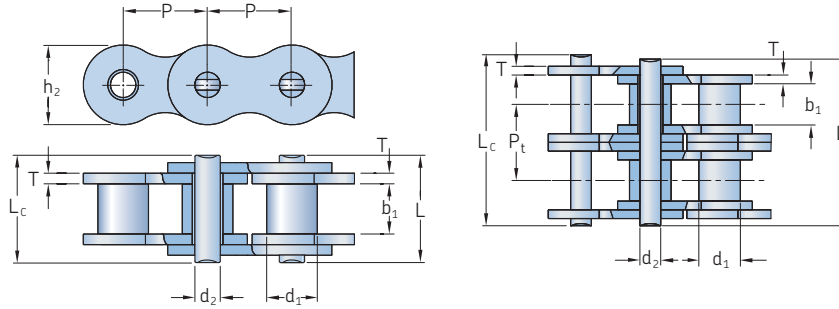
Depending on the type and style, SKF conveyor chains comply with international standards such as DIN 8187, ISO 1977 and BS 4116 (Part IV).

Other cast and steel chains comply with the relevant industry accepted standards for performance and dimensions.

#### Main materials used in the chain construction

Side Plate	45Mn, 40Cr, 35CrMo, Premium carbon steel no. 45
Roller	Premium carbon steel no. 10, Premium carbon steel no. 45
Bush	20Mn Premium carbon steel no. 20
Pin	35CrMo, GCr15, 30CrMnTi, 40Cr, 20CrMnMo

**Roller chains**  
ANSI

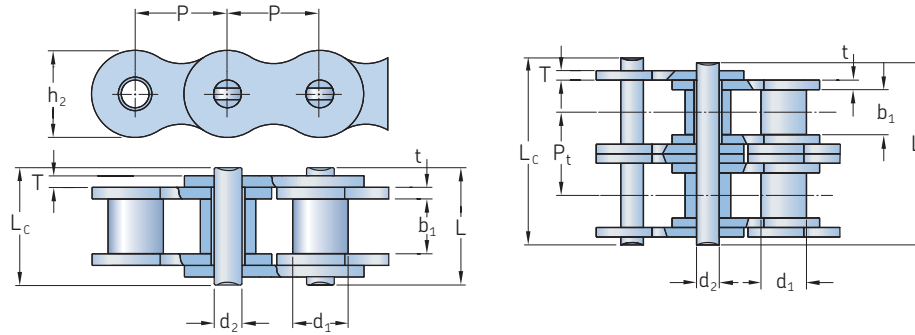


ANSI Chain number	BS/ISO Chain number	Dimensions			Pin diameter d <sub>2</sub> Max.	Pin length		Pin length cotted L <sub>c</sub> Max.	Inner plate height h <sub>2</sub> Max.	Plate thickness T Max.	Transverse pitch P <sub>t</sub>	Ultimate tensile strength Q Min.	Average tensile strength Q <sub>0</sub>	Mass per meter	Designation
		Pitch P	Roller diameter d <sub>1</sub> Max.	Width between inner plates b <sub>1</sub> Min.		L Max.	L <sub>c</sub> Max.								
mm															
15-1 <sup>1)</sup>	03C <sup>1)</sup>	4,76	2,48	2,38	1,62	6,10	6,90	-	4,30	0,60	-	1,8	2,0	0,08	PHC 15-1...
25-1 <sup>1)</sup>	04C-1 <sup>1)</sup>	6,35	3,30	3,18	2,31	7,90	8,40	-	6,00	0,80	-	3,5	4,6	0,15	PHC 25-1...
35-1 <sup>1)</sup>	06C-1 <sup>1)</sup>	9,53	5,08	4,77	3,58	12,40	13,17	-	9,00	1,30	-	7,9	10,8	0,33	PHC 35-1...
41-1	085-1	12,70	7,77	6,25	3,58	13,75	15,00	-	9,91	1,30	-	6,7	12,6	0,41	PHC 41-1...
40-1	08A-1	12,70	7,95	7,85	3,96	16,60	17,80	-	12,00	1,50	-	14,1	17,5	0,62	PHC 40-1...
50-1	10A-1	15,88	10,16	9,40	5,08	20,70	22,20	23,3	15,09	2,03	-	22,2	29,4	1,02	PHC 50-1...
60-1	12A-1	19,05	11,91	12,57	5,94	25,90	27,70	28,3	18,00	2,42	-	31,8	41,5	1,50	PHC 60-1...
80-1	16A-1	25,40	15,88	15,75	7,92	32,70	35,00	36,5	24,00	3,25	-	56,7	69,4	2,60	PHC 80-1...
100-1	20A-1	31,75	19,05	18,90	9,53	40,40	44,70	44,7	30,00	4,00	-	88,5	109,2	3,91	PHC 100-1...
120-1	24A-1	38,10	22,23	25,22	11,10	50,30	54,30	54,3	35,70	4,80	-	127,0	156,3	5,62	PHC 120-1...
140-1	28A-1	44,45	25,40	25,22	12,70	54,40	59,00	59,0	41,00	5,60	-	172,4	212,0	7,50	PHC 140-1...
160-1	32A-1	50,80	28,58	31,55	14,27	64,80	69,60	69,6	47,80	6,40	-	226,8	278,9	10,10	PHC 160-1...
180-1	36A-1	57,15	35,71	35,48	17,46	72,80	78,60	78,6	53,60	7,20	-	280,2	341,8	13,45	PHC 180-1...
200-1	40A-1	63,50	39,68	37,85	19,85	80,30	87,20	87,2	60,00	8,00	-	353,8	431,6	16,15	PHC 200-1...
240-1	48A-1	76,20	47,63	47,35	23,81	95,50	103,00	103,0	72,39	9,50	-	510,3	622,5	23,20	PHC 240-1...
25-2 <sup>1)</sup>	04C-2 <sup>1)</sup>	6,35	3,30	3,18	2,31	14,50	15,00	-	6,00	0,80	6,40	7,0	8,6	0,28	PHC 25-2...
35-2 <sup>1)</sup>	06C-2 <sup>1)</sup>	9,53	5,08	4,77	3,58	22,50	23,30	-	9,00	1,30	10,13	15,8	19,7	0,63	PHC 35-2...
41-2	085-2	12,70	7,77	6,25	3,58	25,70	26,90	-	9,91	1,30	11,95	13,3	16,9	0,81	PHC 41-2...
40-2	08A-2	12,70	7,95	7,85	3,96	31,00	32,20	-	12,00	1,50	14,38	28,2	35,9	1,12	PHC 40-2...
50-2	10A-2	15,88	10,16	9,40	5,08	38,90	40,40	41,2	15,09	2,03	18,11	44,4	58,1	2,00	PHC 50-2...
60-2	12A-2	19,05	11,91	12,57	5,94	48,80	50,50	51,1	18,00	2,42	22,78	63,6	82,1	2,92	PHC 60-2...
80-2	16A-2	25,40	15,88	15,75	7,92	62,70	64,30	65,8	24,00	3,25	29,29	113,4	141,8	5,15	PHC 80-2...
100-2	20A-2	31,75	19,05	18,90	9,53	76,40	80,50	80,5	30,00	4,00	35,76	177,0	219,4	7,80	PHC 100-2...
120-2	24A-2	38,10	22,23	25,22	11,10	95,80	99,70	99,7	35,70	4,80	45,44	254,0	314,9	11,70	PHC 120-2...
140-2	28A-2	44,45	25,40	25,22	12,70	103,30	107,90	107,9	41,00	5,60	48,87	344,8	427,5	15,14	PHC 140-2...
160-2	32A-2	50,80	28,58	31,55	14,27	123,30	128,10	128,1	47,80	6,40	58,55	453,6	562,4	20,14	PHC 160-2...
180-2	36A-2	57,15	35,71	35,48	17,46	138,60	144,40	144,4	53,60	7,20	65,84	560,5	695,0	29,22	PHC 180-2...
200-2	40A-2	63,50	39,68	37,85	19,85	151,90	158,80	158,8	60,00	8,00	71,55	707,6	877,4	32,24	PHC 200-2...
240-2	48A-2	76,20	47,63	47,35	23,81	183,40	190,80	190,8	72,39	9,50	87,83	1 020,6	1 255,3	45,23	PHC 240-2...
25-3 <sup>1)</sup>	04C-3 <sup>1)</sup>	6,35	3,30	3,18	2,31	21,00	21,50	-	6,00	0,80	6,40	10,5	12,6	0,44	PHC 25-3...
35-3 <sup>1)</sup>	06C-3 <sup>1)</sup>	9,53	5,08	4,77	3,58	32,70	33,50	-	9,00	1,30	10,13	23,7	28,6	1,05	PHC 35-3...
40-3	08A-3	12,70	7,95	7,85	3,96	45,40	46,60	-	12,00	1,50	14,38	42,3	50,0	1,90	PHC 40-3...
50-3	10A-3	15,88	10,16	9,40	5,08	57,00	58,50	59,3	15,09	2,03	18,11	66,6	77,8	3,09	PHC 50-3...
60-3	12A-3	19,05	11,91	12,57	5,94	71,50	73,30	73,9	18,00	2,42	22,78	95,4	111,1	4,54	PHC 60-3...
80-3	16A-3	25,40	15,88	15,75	7,92	91,70	93,60	95,1	24,00	3,25	29,29	170,1	198,4	7,89	PHC 80-3...
100-3	20A-3	31,75	19,05	18,90	9,53	112,20	116,30	116,3	30,00	4,00	35,76	265,5	309,6	11,77	PHC 100-3...
120-3	24A-3	38,10	22,23	25,22	11,10	141,40	145,20	145,2	35,70	4,80	45,44	381,0	437,2	17,53	PHC 120-3...
140-3	28A-3	44,45	25,40	25,22	12,70	152,20	156,80	156,8	41,00	5,60	48,87	517,2	593,3	22,20	PHC 140-3...
160-3	32A-3	50,80	28,58	31,55	14,27	181,80	186,60	186,6	47,80	6,40	58,55	680,4	780,6	30,02	PHC 160-3...
180-3	36A-3	57,15	35,71	35,48	17,46	204,40	210,20	210,2	53,60	7,20	65,84	840,7	983,6	38,22	PHC 180-3...
200-3	40A-3	63,50	39,68	37,85	19,85	223,50	230,40	230,4	60,00	8,00	71,55	1 061,4	1 217,8	49,03	PHC 200-3...
240-3	48A-3	76,20	47,63	47,35	23,81	271,30	278,60	278,6	72,39	9,50	87,83	1 530,9	1 756,5	71,60	PHC 240-3...

<sup>1)</sup> Bushing chain: d<sub>1</sub> indicates external diameter of bushing.  
Standard lengths are 10 ft. and 5 m. To complete designation, add chain length. For example, a 10 ft. box of 140-1 is PHC 140-1X10FT.  
One connecting link is contained per chain. For additional links, add "C/L" for connecting and "O/L" for "offset" to the designation.  
For cotted, add a "C" after the number of strands. For example, 140-1 with a cotted pin is designated PHC 140-1C...

# Roller chains

BS/ISO



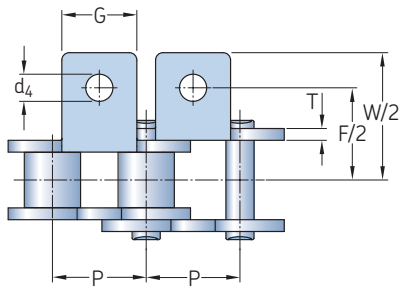
BS/ISO Chain number	Dimensions		Width between inner plates $b_1$ Min.	Pin diameter $d_2$ Max.	Pin length $L$ Max.	$L_c$ Max.	Inner plate height $h_2$ Max.	Plate thickness $t$ Max.	$T$ Max.	Transverse pitch $P_t$	Ultimate tensile strength $Q$ Min.	Average tensile strength $Q_0$	Mass per meter	Designation
	Pitch $P$	Roller diameter $d_1$ Max.												
-	mm													
-	kN													
-	kg/m													
-	-													
04B-1	6,00	4,00	2,80	1,85	6,80	7,8	5,00	0,60	0,60	-	3,0	3,2	0,11	PHC 04B-1...
05B-1	8,00	5,00	3,00	2,31	8,20	8,9	7,10	0,80	0,80	-	5,0	5,9	0,20	PHC 05B-1...
06B-1 <sup>1)</sup>	9,53	6,35	5,72	3,28	13,15	14,1	8,20	1,30	1,30	-	9,0	10,4	0,41	PHC 06B-1...
08B-1	12,70	8,51	7,75	4,45	16,70	18,2	11,80	1,60	1,60	-	18,0	19,4	0,69	PHC 08B-1...
10B-1	15,88	10,16	9,65	5,08	19,50	20,9	14,70	1,70	1,70	-	22,4	27,5	0,93	PHC 10B-1...
12B-1	19,05	12,07	11,68	5,72	22,50	24,2	16,00	1,85	1,85	-	29,0	32,2	1,15	PHC 12B-1...
16B-1	25,40	15,88	17,02	8,28	36,10	37,4	21,00	4,15	3,10	-	60,0	72,8	2,71	PHC 16B-1...
20B-1	31,75	19,05	19,56	10,19	41,30	45,0	26,40	4,50	3,50	-	95,0	106,7	3,70	PHC 20B-1...
24B-1	38,10	25,40	25,40	14,63	53,40	57,8	33,20	6,00	4,80	-	160,0	178,0	7,10	PHC 24B-1...
28B-1	44,45	27,94	30,99	15,90	65,10	69,5	36,70	7,50	6,00	-	200,0	222,0	8,50	PHC 28B-1...
32B-1	50,80	29,21	30,99	17,81	66,00	71,0	42,00	7,00	6,00	-	250,0	277,5	10,25	PHC 32B-1...
40B-1	63,50	39,37	38,10	22,89	82,20	89,2	52,96	8,50	8,00	-	355,0	394,0	16,35	PHC 40B-1...
48B-1	76,20	48,26	45,72	29,24	99,10	107,0	63,80	12,00	10,00	-	560,0	621,6	25,00	PHC 48B-1...
56B-1	88,90	53,98	53,34	34,32	114,60	123,0	77,80	13,50	12,00	-	850,0	940,0	35,78	PHC 56B-1...
64B-1	101,60	63,50	60,96	39,40	130,00	138,5	90,17	15,00	13,00	-	1 120,0	1 240,0	46,00	PHC 64B-1...
72B-1	114,30	72,39	68,58	44,48	147,40	156,4	103,60	17,00	15,00	-	1 400,0	1 550,0	60,80	PHC 72B-1...
05B-2	8,00	5,00	3,00	2,31	13,90	14,5	7,10	0,80	0,80	5,64	7,8	10,2	0,33	PHC 05B-2...
06B-2 <sup>1)</sup>	9,53	6,35	5,72	3,28	23,40	24,4	8,20	1,30	1,30	10,24	16,9	18,7	0,77	PHC 06B-2...
08B-2	12,70	8,51	7,75	4,45	31,20	32,2	11,80	1,60	1,60	13,92	32,0	38,7	1,34	PHC 08B-2...
10B-2	15,88	10,16	9,65	5,08	36,10	37,5	14,70	1,70	1,70	16,59	44,5	56,2	1,84	PHC 10B-2...
12B-2	19,05	12,07	11,68	5,72	42,00	43,6	16,00	1,85	1,85	19,46	57,8	66,1	2,31	PHC 12B-2...
16B-2	25,40	15,88	17,02	8,28	68,00	69,3	21,00	4,15	3,10	31,88	106,0	133,0	5,42	PHC 16B-2...
20B-2	31,75	19,05	19,56	10,19	77,80	81,5	26,40	4,50	3,50	36,45	170,0	211,2	7,20	PHC 20B-2...
24B-2	38,10	25,40	25,40	14,63	101,70	106,2	33,20	6,00	4,80	48,36	280,0	319,2	13,40	PHC 24B-2...
28B-2	44,45	27,94	30,99	15,90	124,60	129,1	36,70	7,50	6,00	59,56	360,0	406,8	16,60	PHC 28B-2...
32B-2	50,80	29,21	30,99	17,81	124,60	129,6	42,00	7,00	6,00	58,55	450,0	508,5	21,00	PHC 32B-2...
40B-2	63,50	39,37	38,10	22,89	154,50	161,5	52,96	8,50	8,00	72,29	630,0	711,9	32,00	PHC 40B-2...
48B-2	76,20	48,26	45,72	29,24	190,40	198,2	63,80	12,00	10,00	91,21	1 000,0	1 130,0	50,00	PHC 48B-2...
56B-2	88,90	53,98	53,34	34,32	221,20	229,6	77,80	13,50	12,00	106,60	1 600,0	1 760,0	71,48	PHC 56B-2...
64B-2	101,60	63,50	60,96	39,40	249,90	258,4	90,17	15,00	13,00	119,89	2 000,0	2 200,0	91,00	PHC 64B-2...
72B-2	114,30	72,39	68,58	44,48	283,70	292,7	103,60	17,00	15,00	136,27	2 500,0	2 750,0	120,40	PHC 72B-2...
05B-3	8,00	5,00	3,00	2,31	19,50	20,2	7,10	0,80	0,80	5,64	11,1	13,8	0,48	PHC 05B-3...
06B-3 <sup>1)</sup>	9,53	6,35	5,72	3,28	33,50	34,6	8,20	1,30	1,30	10,24	24,9	30,1	1,16	PHC 06B-3...
08B-3	12,70	8,51	7,75	4,45	45,10	46,1	11,80	1,60	1,60	13,92	47,5	57,8	2,03	PHC 08B-3...
10B-3	15,88	10,16	9,65	5,08	52,70	54,1	14,70	1,70	1,70	16,59	66,7	84,5	2,77	PHC 10B-3...
12B-3	19,05	12,07	11,68	5,72	61,50	63,1	16,00	1,85	1,85	19,46	86,7	101,8	3,46	PHC 12B-3...
16B-3	25,40	15,88	17,02	8,28	99,80	101,2	21,00	4,15	3,10	31,88	160,0	203,7	8,13	PHC 16B-3...
20B-3	31,75	19,05	19,56	10,19	114,20	117,9	26,40	4,50	3,50	36,45	250,0	290,0	10,82	PHC 20B-3...
24B-3	38,10	25,40	25,40	14,63	150,10	154,6	33,20	6,00	4,80	48,36	425,0	493,0	20,10	PHC 24B-3...
28B-3	44,45	27,94	30,99	15,90	184,20	188,7	36,70	7,50	6,00	59,56	530,0	609,5	24,92	PHC 28B-3...
32B-3	50,80	29,21	30,99	17,81	183,20	188,2	42,00	7,00	6,00	58,55	670,0	770,5	31,56	PHC 32B-3...
40B-3	63,50	39,37	38,10	22,89	226,80	233,8	52,96	8,50	8,00	72,29	950,0	1 092,5	48,10	PHC 40B-3...
48B-3	76,20	48,26	45,72	29,24	281,60	289,4	63,80	12,00	10,00	91,21	1 500,0	1 710,0	75,00	PHC 48B-3...
56B-3	88,90	53,98	53,34	34,32	327,80	336,2	77,80	13,50	12,00	106,60	2 240,0	2 240,0	107,18	PHC 56B-3...
64B-3	101,60	63,50	60,96	39,40	369,80	378,3	90,17	15,00	13,00	119,89	3 000,0	3 300,0	136,00	PHC 64B-3...
72B-3	114,30	72,39	68,58	44,48	420,00	429,0	103,60	17,00	15,00	136,27	3 750,0	4 125,0	180,00	PHC 72B-3...

<sup>1)</sup> Straight side plates.

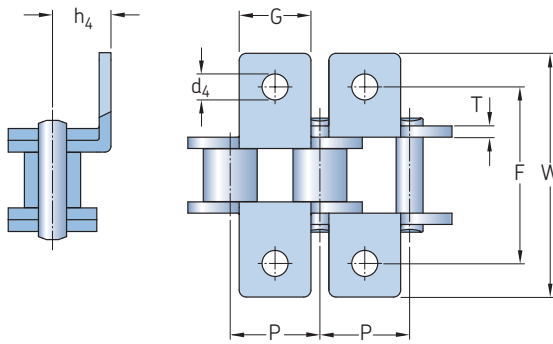
Standard lengths are 10 ft. and 5 m. To complete designation, add chain length. For example, a 5 m box of 08B-1 is PHC 08B-1X5MTR. One connecting link is contained per chain. For additional links, add "C/L" for "connecting" and "O/L" for "offset" to the designation.

# Roller chain attachments

A-1 | K-1



A-1



K-1

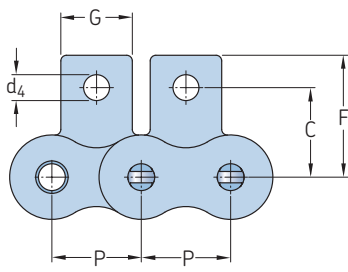
ANSI Chain number	BS/ISO Chain number	Dimensions							Designation
		P	G	F	W	T	h <sub>4</sub>	d <sub>4</sub>	
-		mm							-
35-1	06C-1	9,53	7,9	19,00	28,6	1,30	6,35	3,4	PHC 35-1...
40-1	08A-1	12,70	9,5	25,40	35,2	1,50	7,90	3,4	PHC 40-1...
41-1	085-1	12,70	9,5	24,00	33,4	1,30	6,90	3,6	PHC 41-1...
50-1	10A-1	15,88	12,7	31,75	46,2	2,03	10,30	5,5	PHC 50-1...
60-1	12A-1	19,05	15,9	38,10	55,6	2,42	11,90	5,5	PHC 60-1...
80-1	16A-1	25,40	19,1	50,80	64,8	3,25	15,90	6,8	PHC 80-1...
100-1	20A-1	31,75	25,4	63,50	87,3	4,00	19,80	9,2	PHC 100-1...
120-1	24A-1	38,10	28,6	76,20	108,5	4,80	23,00	9,8	PHC 120-1...
140-1	28A-1	44,45	34,9	88,90	123,0	5,60	28,60	11,4	PHC 140-1...
160-1	32A-1	50,80	38,1	101,60	142,8	6,40	31,75	13,1	PHC 160-1...
200-1	40A-1	63,50	50,8	127,00	179,0	8,00	42,88	16,3	PHC 200-1...
-	06B-1 <sup>1)</sup>	9,53	8,0	19,04	27,0	1,30	6,50	3,5	PHC 06B-1...
-	08B-1	12,70	9,5	25,40	36,4	1,60	8,90	4,5	PHC 08B-1...
-	10B-1	15,88	14,3	31,75	44,6	1,70	10,31	5,3	PHC 10B-1...
-	12B-1	19,05	16,0	38,10	52,4	1,85	13,46	6,4	PHC 12B-1...
-	16B-1	25,40	19,1	50,80	72,6	3,10	15,88	6,4	PHC 16B-1...
-	20B-1	31,75	35,0	63,50	100,5	3,50	19,80	9,0	PHC 20B-1...
-	24B-1	38,10	30,0	76,20	108,4	4,80	26,67	10,5	PHC 24B-1...
-	28B-1	44,45	35,0	88,90	123,0	6,00	28,58	13,1	PHC 28B-1...
-	32B-1	50,80	38,1	101,60	142,8	6,00	31,75	13,1	PHC 32B-1...

<sup>1)</sup> Straight side plates

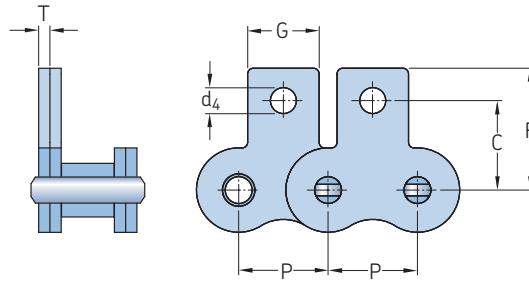
To complete designation, add attachment spacing and type followed by chain length. For example, PHC 40-1-L2A1X10FT (ANSI 40-1 with A-1 attachment on every second link, 10 ft. length). Note: Also available in stainless steel. When ordering, add SS after the chain number. For example, PHC 40-1SS-L1A1X10FT.

## Roller chain attachments

SA-1/M1 | SK-1/M1



SA-1/M1



SK-1/M1

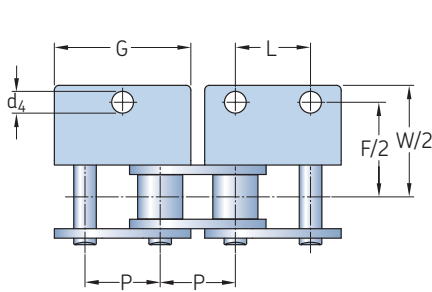
ANSI Chain number	BS/ISO Chain number	Dimensions						Designation
		P	G	C	F	T	d <sub>4</sub>	
-		mm						-
35-1	06C-1	9,53	7,9	9,50	14,55	1,30	3,4	PHC 35-1...
40-1	08A-1	12,70	9,5	12,70	19,05	1,50	3,4	PHC 40-1...
41-1	085-1	12,70	9,5	11,85	16,55	1,30	3,6	PHC 41-1...
50-1	10A-1	15,88	12,7	15,90	25,25	2,03	5,5	PHC 50-1...
60-1	12A-1	19,05	15,9	18,30	29,33	2,42	5,5	PHC 60-1...
80-1	16A-1	25,40	19,1	24,60	34,70	3,25	6,8	PHC 80-1...
100-1	20A-1	31,75	25,4	31,80	43,30	4,00	9,2	PHC 100-1...
120-1	24A-1	38,10	28,6	36,50	51,60	4,80	9,8	PHC 120-1...
140-1	28A-1	44,45	34,9	44,50	62,00	5,60	11,4	PHC 140-1...
160-1	32A-1	50,80	38,1	50,80	69,85	6,40	13,1	PHC 160-1...
200-1	40A-1	63,50	50,8	63,50	88,90	8,00	16,3	PHC 200-1...
-	06B-1 <sup>1)</sup>	9,53	8,0	9,52	13,50	1,30	3,5	PHC 06B-1...
-	08B-1	12,70	9,5	13,35	18,90	1,60	4,3	PHC 08B-1...
-	10B-1	15,88	14,3	16,50	22,95	1,70	5,3	PHC 10B-1...
-	12B-1	19,05	16,0	21,45	28,60	1,85	6,4	PHC 12B-1...
-	16B-1	25,40	19,1	23,15	34,00	3,10	6,4	PHC 16B-1...
-	20B-1	31,75	35,0	30,50	45,70	3,50	9,0	PHC 20B-1...

<sup>1)</sup> Straight side plates

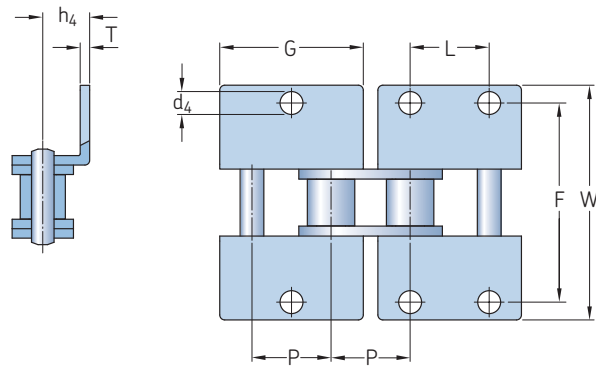
To complete designation, add attachment spacing and type followed by chain length. For example, PHC 80-1-L1SK1X10FT (ANSI 80-1 with SK-1 attachment on every link, 10 ft. length). Note: Also available in stainless steel. When ordering, add SS after the chain number. For example, PHC 80-1SS-L1SK1X10FT.

## Roller chain attachments

WA-1 · WA-2 | WK-1 · WK-2



WA-1,WA-2



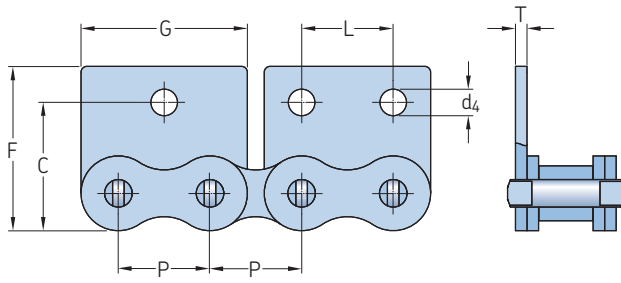
WK-1,WK-2

ANSI Chain number	BS/ISO Chain number	Dimensions								Designation
		P	G	L	F	W	T	$h_4$	$d_4$	
-		mm								-
35-1	06C-1	9,53	17,32	9,53	19,00	28,6	1,30	6,35	2,80	PHC 35-1...
40-1	08A-1	12,70	23,00	12,70	25,40	35,6	1,50	7,90	3,40	PHC 40-1...
41-1	085-1	12,70	22,30	12,70	24,00	35,0	1,30	7,20	4,85	PHC 41-1...
50-1	10A-1	15,88	28,80	15,88	31,75	46,8	2,03	10,30	5,50	PHC 50-1...
60-1	12A-1	19,05	34,65	19,05	38,10	56,4	2,42	11,90	5,50	PHC 60-1...
80-1	16A-1	25,40	45,90	25,40	50,80	73,2	3,25	15,90	6,80	PHC 80-1...
100-1	20A-1	31,75	57,65	31,75	63,50	89,8	4,00	19,80	9,20	PHC 100-1...
120-1	24A-1	38,10	69,30	38,10	76,20	108,8	4,80	23,00	9,80	PHC 120-1...
140-1	28A-1	44,45	80,45	44,45	88,90	123,0	5,60	28,60	11,40	PHC 140-1...
160-1	32A-1	50,80	92,00	50,80	101,60	142,8	6,40	31,75	13,10	PHC 160-1...
200-1	40A-1	63,50	115,50	63,50	127,00	179,0	8,00	42,88	16,30	PHC 200-1...
-	08B-1	12,70	24,00	12,70	25,40	36,4	1,60	8,90	4,30	PHC 08B-1...
-	10B-1	15,88	29,58	15,88	31,80	44,6	1,70	10,31	5,30	PHC 10B-1...
-	12B-1	19,05	34,05	19,05	38,10	52,0	1,85	13,46	6,40	PHC 12B-1...
-	16B-1	25,40	46,40	25,40	50,80	72,6	3,10	15,88	6,40	PHC 16B-1...
-	20B-1	31,75	58,10	31,75	63,00	100,5	3,50	19,80	9,00	PHC 20B-1...
-	24B-1	38,10	71,30	38,10	76,20	108,4	4,80	26,67	10,50	PHC 24B-1...
-	28B-1	44,45	81,10	44,45	88,90	123,0	6,00	28,58	13,10	PHC 28B-1...
-	32B-1	50,80	92,80	50,80	101,60	142,8	6,00	31,75	13,10	PHC 32B-1...

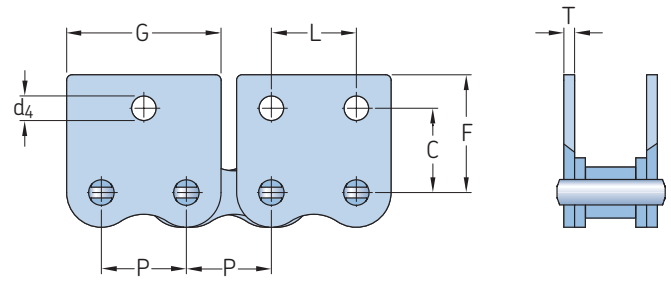
To complete designation, add attachment spacing and type followed by chain length. For example, PHC 80-1-L2WA2X10FT (ANSI 80-1 with WA-2 attachment on every second link, 10 ft. length). Note: Also available in stainless steel. When ordering, add SS after the chain number. For example, PHC 80-1SS-L2WA2X10FT.

## Roller chain attachments

WSA-1 · WSA-2 | WSK-1 · WSK-2



WSA-1, WSA-2



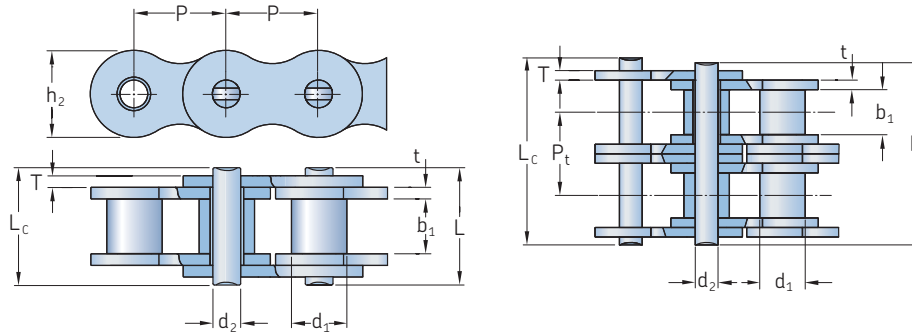
WSK-1, WSK-2

ANSI Chain number	BS/ISO Chain number	Dimensions							Designation
		P	G	L	C	F	T	d <sub>4</sub>	
-		mm							-
35-1	06C-1	9,53	17,32	9,53	9,50	14,55	1,30	2,8	PHC 35-1...
40-1	08A-1	12,70	23,00	12,70	12,70	17,40	1,50	3,4	PHC 40-1...
41-1	08S-1	12,70	21,20	12,70	11,85	16,55	1,30	3,6	PHC 41-1...
50-1	10A-1	15,88	28,80	15,88	15,90	23,05	2,03	5,5	PHC 50-1...
60-1	12A-1	19,05	34,65	19,05	18,30	26,86	2,42	5,5	PHC 60-1...
80-1	16A-1	25,40	45,90	25,40	24,60	35,45	3,25	6,8	PHC 80-1...
100-1	20A-1	31,75	57,65	31,75	31,80	44,00	4,00	9,2	PHC 100-1...
120-1	24A-1	38,10	69,30	38,10	36,50	51,60	4,80	9,8	PHC 120-1...
140-1	28A-1	44,45	80,45	44,45	44,50	62,00	5,60	11,4	PHC 140-1...
160-1	32A-1	50,80	92,00	50,80	50,80	69,85	6,40	13,1	PHC 160-1...
200-1	40A-1	63,50	115,50	63,50	63,50	88,90	8,00	16,3	PHC 200-1...
-	08B-1	12,70	23,30	12,70	13,35	18,90	1,60	4,3	PHC 08B-1...
-	10B-1	15,88	29,58	15,88	16,50	22,95	1,70	5,3	PHC 10B-1...
-	12B-1	19,05	34,05	19,05	21,45	28,60	1,85	6,4	PHC 12B-1...
-	16B-1	25,40	46,40	25,40	23,15	34,00	3,10	6,4	PHC 16B-1...
-	20B-1	31,75	58,10	31,75	30,50	45,70	3,50	9,0	PHC 20B-1...

To complete designation, add attachment spacing and type followed by chain length. For example, PHC 80-1-L4WSA1X10FT (ANSI 80-1 with WSA-1 attachment on every fourth link, 10 ft. length). Note: Also available in stainless steel. When ordering, add SS after the chain number. For example, PHC 80-1SS L4WSA1X10FT.

# SKF Xtra Strength Chains

H Chains | SH Chains | SPH Chains



Xtra Strength type	ANSI Chain number	Dimensions						Pin length cotted	Inner plate height	Plate thickness	Transverse pitch	Ultimate tensile strength Q	Average tensile strength Q0	Mass per meter	Designation	
		Pitch P	Roller diameter d1 Max.	Width between inner plates b1 Min.	Pin diameter d2 Max.	Pin length L Max.	Lc Max.									
mm																
H	35H-1 <sup>1)</sup>	9,53	5,08	4,77	3,58	13,3	14,3	-	9,00	1,50	-	7,9	10,8	0,41	PHC 35H-1...	
	40H-1	12,70	7,95	7,85	3,96	18,8	19,9	-	12,00	2,03	-	14,1	19,1	0,82	PHC 40H-1...	
	50H-1	15,88	10,16	9,40	5,08	22,1	23,4	24,4	15,09	2,42	-	22,2	30,2	1,25	PHC 50H-1...	
	60H-1	19,05	11,91	12,57	5,94	29,2	31,0	31,6	18,00	3,25	-	31,8	42,7	1,87	PHC 60H-1...	
	80H-1	25,40	15,88	15,75	7,92	36,2	37,7	39,4	24,00	4,00	-	56,7	71,4	3,10	PHC 80H-1...	
	100H-1	31,75	19,05	18,90	9,53	43,6	46,9	46,9	30,00	4,80	-	88,5	112,4	4,52	PHC 100H-1...	
	120H-1	38,10	22,23	25,22	11,10	53,5	57,5	57,5	35,70	5,60	-	127,0	160,9	6,60	PHC 120H-1...	
	140H-1	44,45	25,40	25,22	12,70	57,6	62,2	62,2	41,00	6,40	-	172,4	217,3	8,30	PHC 140H-1...	
	160H-1	50,80	28,58	31,55	14,27	68,2	73,0	73,0	47,80	7,20	-	226,8	285,8	10,30	PHC 160H-1...	
	180H-1	57,15	35,71	35,48	17,46	75,9	81,6	-	53,60	8,00	-	281,0	341,8	14,83	PHC 180H-1...	
	200H-1	63,50	39,68	37,85	19,85	86,6	93,5	93,5	60,00	9,50	-	353,8	444,5	19,16	PHC 200H-1...	
	240H-1	76,20	47,63	47,35	23,81	109,6	115,9	-	72,30	12,70	-	510,3	622,5	30,40	PHC 240H-1...	
	60H-2	19,05	11,91	12,57	5,94	55,3	57,1	57,7	18,00	3,25	26,11	63,6	84,5	3,71	PHC 60H-2...	
	80H-2	25,40	15,88	15,75	7,92	68,8	70,3	72,0	24,00	4,00	32,59	113,4	145,3	6,15	PHC 80H-2...	
	100H-2	31,75	19,05	18,90	9,53	82,7	86,0	86,0	30,00	4,80	39,09	177,0	225,9	9,03	PHC 100H-2...	
	120H-2	38,10	22,23	25,22	11,10	102,4	106,4	106,4	35,70	5,60	48,87	254,0	322,7	13,13	PHC 120H-2...	
	140H-2	44,45	25,40	25,22	12,70	109,8	114,4	114,4	41,00	6,40	52,20	344,8	437,7	16,60	PHC 140H-2...	
	160H-2	50,80	28,58	31,55	14,27	130,1	134,9	134,9	47,80	7,20	61,90	453,6	571,6	20,20	PHC 160H-2...	
	200H-2	63,50	39,68	37,85	19,85	164,9	171,8	171,8	60,00	9,50	78,31	707,6	894,9	38,11	PHC 200H-2...	
	60H-3	19,05	11,91	12,57	5,94	81,4	83,2	83,8	18,00	3,25	26,11	95,4	113,9	5,54	PHC 60H-3...	
	80H-3	25,40	15,88	15,75	7,92	101,4	102,9	104,6	24,00	4,00	32,59	170,1	203,5	9,42	PHC 80H-3...	
	100H-3	31,75	19,05	18,90	9,53	121,8	125,1	125,1	30,00	4,80	39,09	265,5	314,8	12,96	PHC 100H-3...	
	120H-3	38,10	22,23	25,22	11,10	151,2	155,2	155,2	35,70	5,60	48,87	381,0	444,7	19,64	PHC 120H-3...	
	140H-3	44,45	25,40	25,22	12,70	162,0	166,6	166,6	41,00	6,40	52,20	517,2	598,4	24,90	PHC 140H-3...	
	160H-3	50,80	28,58	31,55	14,27	192,0	196,8	196,8	47,80	7,20	61,90	680,4	787,3	30,10	PHC 160H-3...	
	200H-3	63,50	39,68	37,85	19,85	243,2	250,1	250,1	60,00	9,50	78,31	1 061,4	1 228,2	57,06	PHC 200H-3...	
	SH	25SH-1 <sup>1)</sup>	6,35	3,30	3,18	2,01	9,0	-	6,00	2,01	-	5,1	5,6	2,17	PHC 25SH-1X...	
		35SH-1 <sup>1)</sup>	9,53	5,08	4,77	3,58	13,3	14,3	9,00	1,50	-	11,0	13,6	0,41	PHC 35SH-1X...	
		40SH-1	12,70	7,95	7,85	3,96	18,8	19,9	-	12,00	2,03	-	22,4	24,8	0,82	PHC 40SH-1X...
		50SH-1	15,88	10,16	9,40	5,08	22,1	23,4	-	15,09	2,42	-	30,4	36,2	1,25	PHC 50SH-1X...
		60SH-1	19,05	11,91	12,57	5,94	29,2	31,6	-	18,00	3,25	-	44,1	50,4	1,87	PHC 60SH-1X...
		80SH-1	25,40	15,88	15,75	7,92	36,2	37,7	-	24,00	4,00	-	88,2	93,0	3,10	PHC 80SH-1X...
100SH-1		31,75	19,05	18,90	9,53	43,6	46,9	-	30,00	4,80	-	116,6	129,1	4,52	PHC 100SH-1X...	
120SH-1		38,10	22,23	25,22	11,10	53,5	57,5	-	35,70	5,60	-	158,2	175,3	6,60	PHC 120SH-1X...	
140SH-1		44,45	25,40	25,22	12,70	57,6	62,2	-	41,00	6,40	-	206,0	266,5	8,30	PHC 140SH-1X...	
160SH-1		50,80	28,58	31,55	14,27	68,2	73,0	-	47,80	7,20	-	274,0	293,0	10,30	PHC 160SH-1X...	
200SH-1		63,50	39,68	37,85	19,85	86,6	93,5	-	60,00	9,50	-	506,1	562,3	19,16	PHC 200SH-1X...	
SPH		80SPH-1	25,40	15,88	15,75	7,94	32,7	36,5	-	24,10	3,20	-	77,5	85,3	2,86	PHC80SPH-1X...
		100SPH-1	31,75	19,05	18,95	9,54	40,4	44,7	-	30,10	4,00	-	115,5	127,0	4,21	PHC100SPH-1X...
	120SPH-1	38,10	22,23	25,22	11,11	50,3	54,3	-	36,20	4,80	-	165,0	186,0	6,36	PHC120SPH-1X...	
	140SPH-1	44,45	25,40	25,22	12,71	54,4	59,0	-	42,20	5,60	-	222,7	245,0	8,04	PHC140SPH-1X...	
	160SPH-1	50,80	28,58	31,55	14,29	64,8	69,6	-	48,20	6,40	-	285,5	314,0	10,80	PHC160SPH-1X...	
	200SPH-1	63,50	39,68	37,85	19,85	80,3	87,2	-	60,30	8,00	-	445,5	490,0	18,00	PHC200SPH-1X...	
	80SPH-2	25,40	15,88	15,75	7,94	62,7	65,8	-	24,10	3,20	29,29	155,0	170,6	5,68	PHC80SPH-2X...	
	100SPH-2	31,75	19,05	18,95	9,54	76,4	80,5	-	30,10	4,00	35,76	231,0	255,0	8,34	PHC100SPH-2X...	
	120SPH-2	38,10	22,23	25,22	11,11	95,8	99,7	-	36,20	4,80	45,44	339,0	373,0	12,63	PHC120SPH-2X...	
	140SPH-2	44,45	25,40	25,22	12,71	103,3	107,9	-	42,20	5,60	48,87	445,5	490,0	15,92	PHC140SPH-2X...	
	160SPH-2	50,80	28,58	31,55	14,29	123,3	128,1	-	48,20	6,40	58,55	571,0	628,0	21,43	PHC160SPH-2X...	
	200SPH-2	63,50	39,68	37,85	19,85	151,9	158,8	-	60,30	8,00	71,55	892,0	981,0	35,00	PHC200SPH-2X...	
	80SPH-3	25,40	15,88	15,75	7,94	91,7	95,1	-	24,10	3,20	29,29	232,5	255,9	8,18	PHC80SPH-3X...	
	100SPH-3	31,75	19,05	18,95	9,54	112,2	116,3	-	30,10	4,00	35,76	347,3	382,0	12,47	PHC100SPH-3X...	
	120SPH-3	38,10	22,23	25,22	11,11	141,4	145,2	-	36,20	4,80	45,44	508,0	559,0	18,90	PHC120SPH-3X...	

<sup>1)</sup> Bushing chain: d<sub>i</sub> indicates external diameter of bushing.

Standard lengths are 10 ft. and 5 m. To complete designation, add chain length. For example, a 5 m box of 160H-1 is PHC 160H-1X5MTR.

One connecting link is contained per chain. For additional links, add "C/L" for connecting and "O/L" for "offset" to the designation.

For cotted, add a "C" after the number of strands. For example, 160H-1 with a cotted pin is designated PHC 160H-1C...

For heavy duty multistrand chain drives with H, SH or SHH chains, special sprockets are needed due to differences in transverse pitch.



**SKF Xtra Strength Chains**  
SPH Chains | SHH Chains

Xtra Strength type	ANSI Chain number	Dimensions		Width between inner plates b <sub>1</sub> Min.	Pin diameter d <sub>2</sub> Max.	Pin length		Pin length cotted L <sub>c</sub> Max.	Inner plate height h <sub>2</sub> Max.	Plate thickness T Max.	Transverse pitch P <sub>t</sub>	Ultimate tensile strength Q Min.	Average tensile strength Q <sub>0</sub>	Mass per meter	Designation
		Pitch P	Roller diameter d <sub>1</sub> Max.			L Max.	L <sub>c</sub> Max.								
–	–	mm										kN		kg/m	–
SPH	140SPH-3	44,45	25,40	25,22	12,71	152,2	156,8	–	42,20	5,60	48,87	668,0	735,0	23,84	PHC140SPH-3X...
	160SPH-3	50,80	28,58	31,55	14,29	181,8	186,6	–	48,20	6,40	58,55	855,5	941,0	32,10	PHC160SPH-3X...
	200SPH-3	63,50	39,68	37,85	19,85	223,5	230,4	–	60,30	8,00	71,55	1 336,4	1 470,0	52,50	PHC200SPH-3X...
SHH	80SHH-1	25,40	15,88	15,75	7,94	36,2	38,9	–	24,10	4,00	–	89,2	98,1	3,36	PHC 80SHH-1X...
	100SHH-1	31,75	19,05	18,90	9,54	43,6	46,9	–	30,10	4,80	–	131,8	145,0	4,90	PHC 100SHH-1X...
	120SHH-1	38,10	22,23	25,22	11,11	53,5	57,5	–	36,20	5,60	–	176,0	196,0	7,12	PHC 120SHH-1X...
	140SHH-1	44,45	25,40	25,22	12,71	57,6	62,2	–	42,20	6,40	–	231,9	255,0	8,88	PHC 140SHH-1X...
	160SHH-1	50,80	28,58	31,55	14,29	68,2	73,0	–	48,20	7,20	–	294,5	324,0	11,72	PHC 160SHH-1X...
	200SHH-1	63,50	39,68	37,85	19,85	86,6	93,5	–	60,30	9,50	–	543,6	598,0	19,80	PHC 200SHH-1X...
	80SHH-2	25,40	15,88	15,75	7,94	68,8	72,0	–	24,10	4,00	32,59	178,4	196,2	6,65	PHC 80SHH-2X...
	100SHH-2	31,75	19,05	18,90	9,54	82,7	86,0	–	30,10	4,80	39,09	263,6	290,0	9,71	PHC 100SHH-2X...
	120SHH-2	38,10	22,23	25,22	11,11	102,4	106,4	–	36,20	5,60	48,87	356,4	392,0	14,12	PHC 120SHH-2X...
	140SHH-2	44,45	25,40	25,22	12,71	109,8	114,4	–	42,20	6,40	52,20	463,6	510,0	17,38	PHC 140SHH-2X...
	160SHH-2	50,80	28,58	31,55	14,29	130,1	134,9	–	48,20	7,20	61,90	588,0	647,0	23,00	PHC 160SHH-2X...
	200SHH-2	63,50	39,68	37,85	19,85	164,9	171,8	–	60,30	9,50	78,31	1 091,0	1 200,0	38,50	PHC 200SHH-2X...
	80SHH-3	25,40	15,88	15,75	7,94	101,4	104,6	–	24,10	4,00	32,59	267,6	294,3	9,95	PHC 80SHH-3X...
	100SHH-3	31,75	19,05	18,90	9,54	121,8	125,1	–	30,10	4,80	39,09	395,4	435,0	14,53	PHC 100SHH-3X...
	120SHH-3	38,10	22,23	25,22	11,11	151,2	155,2	–	36,20	5,60	48,87	534,5	588,0	21,12	PHC 120SHH-3X...
	140SHH-3	44,45	25,40	25,22	12,71	162,0	166,6	–	42,20	6,40	52,20	695,5	765,0	25,88	PHC 140SHH-3X...
	160SHH-3	50,80	28,58	31,55	14,29	192,0	196,8	–	48,20	7,20	61,90	882,7	971,0	34,22	PHC 160SHH-3X...
	200SHH-3	63,50	39,68	37,85	19,85	243,2	250,1	–	60,30	9,50	78,31	1 627,3	1 790,0	57,29	PHC 200SHH-3X...

<sup>1)</sup> Bushing chain: d<sub>3</sub> indicates external diameter of bushing.

Standard lengths are 10 ft. and 5 m. To complete designation, add chain length. For example, a 5 m box of 160H-1 is PHC 160H-1X5MTR.

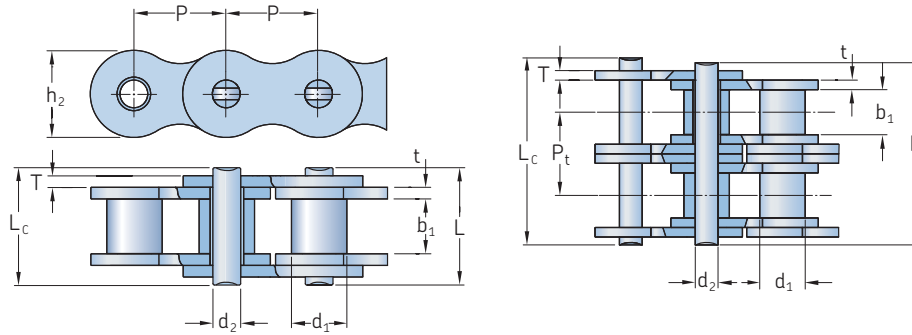
One connecting link is contained per chain. For additional links, add "C/L" for connecting and "O/L" for "offset" to the designation.

For cotted, add a "C" after the number of strands. For example, 160H-1 with a cotted pin is designated PHC 160H-1C...

For heavy duty multistrand chain drives with H, SH or SHH chains, special sprockets are needed due to differences in transverse pitch.

# SKF Xtra Corrosion Resistant Chains

Stainless steel chains | Nickel-plated, zinc-plated and dactrotized chains



Corrosion resistance type	Chain number	Dimensions					Pin length		Inner plate height h <sub>2</sub> Max.	Plate thickness t Max.	T Max.	Ultimate tensile strength Q Min.	Mass per meter	Designation	
		Pitch P	Roller diameter d <sub>1</sub> Max.	Width between inner plates b <sub>1</sub> Min.	Pin diameter d <sub>2</sub> Max.	L Max.	L <sub>c</sub> Max.								
mm													kN	kg/m	-
SS	25-1SS <sup>1)</sup>	6,35	3,30	3,18	2,31	7,90	8,40	6,00	0,80	0,80	2,5	0,15	PHC 25-1SS...		
Plated	25-1 <sup>1)</sup>	6,35	3,30	3,18	2,31	7,90	8,40	6,00	0,80	0,80	3,5	0,15	PHC 25-1...		
SS	35-1SS <sup>1)</sup>	9,53	5,08	4,77	3,58	12,40	13,17	9,00	1,30	1,30	5,5	0,33	PHC 35-1SS...		
Plated	35-1 <sup>1)</sup>	9,53	5,08	4,77	3,58	12,40	13,17	9,00	1,30	1,30	7,9	0,33	PHC 35-1...		
SS	40-1SS	12,70	7,95	7,85	3,96	16,60	17,80	12,00	1,50	1,50	9,6	0,63	PHC 40-1SS...		
Plated	40-1	12,70	7,95	7,85	3,96	16,60	17,80	12,00	1,50	1,50	14,1	0,62	PHC 40-1...		
SS	41-1SS	12,70	7,77	6,25	3,58	13,75	15,00	9,91	1,30	1,30	6,0	0,46	PHC 41-1SS...		
Plated	41-1	12,70	7,77	6,25	3,58	13,75	15,00	9,91	1,30	1,30	6,7	0,41	PHC 41-1...		
SS	50-1SS	15,88	10,16	9,40	5,08	20,70	22,20	15,09	2,03	2,03	15,2	1,03	PHC 50-1SS...		
Plated	50-1	15,88	10,16	9,40	5,08	20,70	22,20	15,09	2,03	2,03	22,2	1,02	PHC 50-1...		
SS	60-1SS	19,05	11,91	12,57	5,94	25,90	27,70	18,00	2,42	2,42	21,7	1,51	PHC 60-1SS...		
Plated	60-1	19,05	11,91	12,57	5,94	25,90	27,70	18,00	2,42	2,42	31,8	1,50	PHC 60-1...		
SS	80-1SS	25,40	15,88	15,75	7,92	32,70	35,00	24,00	3,25	3,25	38,9	2,62	PHC 80-1SS...		
Plated	80-1	25,40	15,88	15,75	7,92	32,70	35,00	24,00	3,25	3,25	56,7	2,60	PHC 80-1...		
SS	100-1SS	31,75	19,05	18,90	9,53	40,40	44,70	30,00	4,00	4,00	60,0	3,94	PHC 100-1SS...		
Plated	100-1	31,75	19,05	18,90	9,53	40,40	44,70	30,00	4,00	4,00	88,5	3,91	PHC 100-1...		
SS	120-1SS	38,10	22,23	25,22	11,10	50,30	54,30	35,70	4,80	4,80	72,5	5,72	PHC 120-1SS...		
Plated	120-1	38,10	22,23	25,22	11,10	50,30	54,30	35,70	4,80	4,80	127,0	5,62	PHC 120-1...		
SS	140-1SS	44,45	25,40	25,22	12,70	54,40	59,00	41,00	5,60	5,60	94,0	7,70	PHC 140-1SS...		
Plated	140-1	44,45	25,40	25,22	12,70	54,40	59,00	41,00	5,60	5,60	172,4	7,50	PHC 140-1...		
Plated	160-1	50,80	28,58	31,55	14,27	64,80	69,60	47,80	6,40	6,40	226,8	10,10	PHC 160-1...		
SS	04B-1SS	6,00	4,00	2,80	1,85	6,80	7,80	5,00	0,60	0,60	2,0	0,11	PHC 04B-1SS...		
Plated	04B-1	6,00	4,00	2,80	1,85	6,80	7,80	5,00	0,60	0,60	3,0	0,11	PHC 04B-1...		
SS	05B-1SS	8,00	5,00	3,00	2,31	8,20	8,90	7,10	0,80	0,80	3,5	0,20	PHC 05B-1SS...		
Plated	05B-1	8,00	5,00	3,00	2,31	8,20	8,90	7,10	0,80	0,80	5,0	0,20	PHC 05B-1...		
SS	06B-1SS <sup>2)</sup>	9,53	6,35	5,72	3,28	13,15	14,10	8,20	1,30	1,30	6,2	0,41	PHC 06B-1SS...		
Plated	06B-1 <sup>2)</sup>	9,53	6,35	5,72	3,28	13,15	14,10	8,20	1,30	1,30	9,0	0,41	PHC 06B-1...		
SS	08B-1SS	12,70	8,51	7,75	4,45	16,70	18,20	11,80	1,60	1,60	12,0	0,70	PHC 08B-1SS...		
Plated	08B-1	12,70	8,51	7,75	4,45	16,70	18,20	11,80	1,60	1,60	18,0	0,69	PHC 08B-1...		
SS	10B-1SS	15,88	10,16	9,65	5,08	19,50	20,90	14,70	1,70	1,70	14,5	0,94	PHC 10B-1SS...		
Plated	10B-1	15,88	10,16	9,65	5,08	19,50	20,90	14,70	1,70	1,70	22,4	0,93	PHC 10B-1...		
SS	12B-1SS	19,05	12,07	11,68	5,72	22,50	24,20	16,00	1,85	1,85	18,5	1,16	PHC 12B-1SS...		
Plated	12B-1	19,05	12,07	11,68	5,72	22,50	24,20	16,00	1,85	1,85	29,0	1,15	PHC 12B-1...		
SS	16B-1SS	25,40	15,88	17,02	8,28	36,10	37,40	21,00	4,15	3,10	40,0	2,73	PHC 16B-1SS...		
Plated	16B-1	25,40	15,88	17,02	8,28	36,10	37,40	21,00	4,15	3,10	60,0	2,71	PHC 16B-1...		
SS	20B-1SS	31,75	19,05	19,56	10,19	41,30	45,00	26,40	4,50	3,50	59,0	3,73	PHC 20B-1SS...		
Plated	20B-1	31,75	19,05	19,56	10,19	41,30	45,00	26,40	4,50	3,50	95,0	3,70	PHC 20B-1...		
SS	24B-1SS	38,10	25,40	25,40	14,63	53,40	57,80	33,20	6,00	4,80	104,0	7,20	PHC 24B-1SS...		
Plated	24B-1	38,10	25,40	25,40	14,63	53,40	57,80	33,20	6,00	4,80	160,0	7,10	PHC 24B-1...		
Plated	28B-1	44,45	27,94	30,99	15,90	65,10	69,50	36,70	7,50	6,00	200,0	8,50	PHC 28B-1...		
SS	32B-1SS	50,80	29,21	30,99	17,81	66,00	71,00	42,00	7,00	6,00	150,0	10,22	PHC 32B-1SS...		
Plated	32B-1	50,80	29,21	30,99	17,81	66,00	71,00	42,00	7,00	6,00	250,0	10,25	PHC 32B-1...		

<sup>1)</sup> Bushing chain: d<sub>2</sub> indicates external diameter of bushing. <sup>2)</sup> Straight side plates. Note: Duplex and double pitch plated chains are available in all sizes.

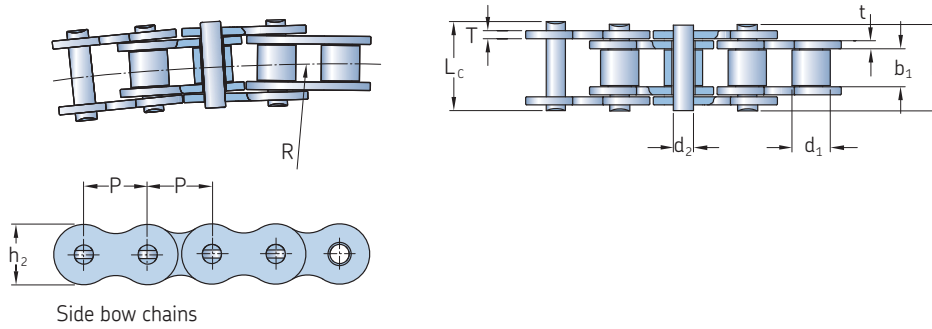
When ordering plated chains, add suffix according to material selection after chain number: DR for dactrotized, NP for nickel-plated and ZP for zinc plated. For example, PHC 50-1DR... 50-1 ANSI Simplex dactrotized chain and PHC 60-2NP... ANSI Duplex nickel-plated chain.

Standard lengths are 10 ft. and 5 m. To complete designation, add chain length. For example, a 10 ft. box of 12B-1NP is PHC 12B-1NP10FT.

One connecting link is contained per chain. For additional links, add "C/L" for "connecting" and "O/L" for "offset" to the designation.

## Roller chains

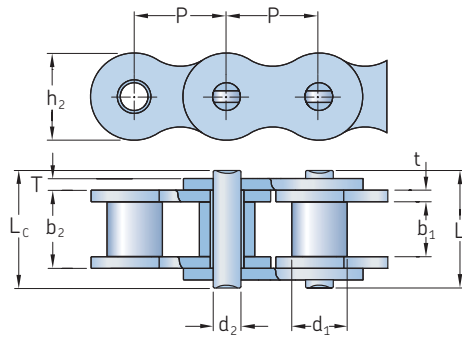
### Side bow | SKF Xtra Performance SLR Chains



Side bow chains

Chain number	Dimensions		Width between inner plates $b_1$ Min.	Pin diameter $d_2$ Max.	Pin length		Inner plate height $h_2$ Max.	Plate thickness		Side bow radius $R$ Min.	Ultimate tensile strength $Q$ Min.	Average tensile strength $Q_0$	Mass per meter	Designation
	Pitch $P$	Roller diameter $d_1$ Max.			L Max.	$L_c$ Max.		t Max.	T Max.					
— mm														
40-1SB	12,70	7,95	7,85	3,96	16,9	18,1	11,7	1,50	1,50	350	13,8	15,2	0,80	PHC 40-1SB...
43-1SB	12,70	7,95	7,85	3,45	18,3	19,5	11,7	1,50	1,50	305	12,0	13,2	0,64	PHC 43-1SB...
50-1SB	15,88	10,16	9,40	4,37	20,7	22,7	14,9	2,03	2,03	400	20,6	22,7	1,09	PHC 50-1SB...
60-1SB	19,05	11,91	12,57	5,34	26,6	28,4	18,0	2,42	2,42	500	15,7	17,3	1,54	PHC 60-1SB...
63-1SB	19,05	11,91	12,68	5,08	28,8	30,6	17,2	2,42	2,03	350	12,5	20,0	1,40	PHC 63-1SB...
80-1SB	25,40	15,88	15,75	7,19	34,0	37,3	24,0	3,25	3,25	711	40,9	42,0	2,60	PHC 80-1SB...
08B-1SB	12,70	8,51	7,75	3,97	17,4	18,7	11,8	1,60	1,60	400	14,0	15,4	0,70	PHC 08B-1SB...
10B-1SB	15,88	10,16	9,65	4,50	20,1	21,5	14,7	1,70	1,70	400	15,6	17,2	0,93	PHC 10B-1SB...
12B-1SB	19,05	12,07	11,68	5,12	23,1	24,8	16,0	1,85	1,85	500	20,5	22,6	1,16	PHC 12B-1SB...
C2050-1SB	31,75	10,16	9,40	5,08	21,3	22,6	15,0	2,03	2,03	800	21,8	24,1	0,84	PHC C2050-1SB...

Standard lengths are 10 ft. and 5 m. To complete designation, add chain length. For example, a 5 m box of 60-1SB is PHC 60-1SBX5MTR. One connecting link is contained per chain. For additional links, add "C/L" for "connecting" and "O/L" for "offset" to the designation.

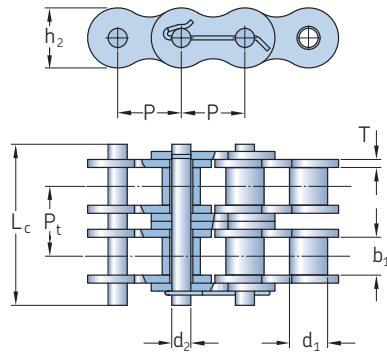


SKF Xtra Performance SLR Chains

Chain number	Dimensions		Width between inner plates $b_1$ Min.	Width between outer plates $b_2$ Min.	Pin diameter $d_2$ Max.	Pin length		Inner plate height $h_2$ Max.	Plate thickness		Ultimate tensile strength $Q$ Min.	Mass per meter	Designation	
	Pitch $P$	Roller diameter $d_1$ Max.				L Max.	$L_c$ Max.		t Max.	T Max.				
— mm														
08B-1SLR	12,70	8,51	7,75	13,03	4,45	16,7	18,2	11,8	1,60	1,60	18,0	0,69	PHC 08B-1SLR...	
10B-1SLR	15,88	10,16	9,65	13,75	5,08	19,5	20,9	14,7	1,70	1,70	22,4	0,93	PHC 10B-1SLR...	
12B-1SLR	19,05	12,07	11,68	15,75	5,72	22,5	24,2	16,0	1,85	1,85	29,0	1,15	PHC 12B-1SLR...	
16B-1SLR	25,40	15,88	17,02	27,50	8,28	36,1	37,4	21,0	4,15	3,10	60,0	2,71	PHC 16B-1SLR...	
12B-2SLR	19,05	12,07	11,68	35,21	5,72	42,0	43,6	16,0	1,85	1,85	58,0	2,31	PHC 12B-2SLR...	
16B-2SLR	25,40	15,88	17,02	57,46	8,28	68,0	69,3	21,0	4,15	3,10	106,0	5,42	PHC 16B-2SLR...	
40-1SLR	12,70	7,95	7,85	12,25	3,96	16,6	17,8	12,0	1,50	1,50	14,1	0,62	PHC 40-1SLR...	
50-1SLR	15,88	10,16	9,40	13,84	5,08	20,7	22,2	15,1	2,03	2,03	21,8	1,02	PHC 50-1SLR...	
60-1SLR	19,05	11,91	12,57	19,35	5,94	27,5	29,3	18,0	2,42	2,42	34,2	1,65	PHC 60-1SLR...	
80-1SLR	25,40	15,88	15,75	22,66	7,92	32,7	35,0	24,0	3,25	3,25	56,7	2,60	PHC 80-1SLR...	
100-1SLR	31,75	19,05	18,90	27,51	9,53	40,4	44,7	30,0	4,00	4,00	86,7	3,94	PHC 100-1SLR...	
60-2SLR	19,05	11,91	12,57	42,13	5,94	50,3	52,1	18,0	3,25	2,42	68,4	3,21	PHC 60-2SLR...	

Standard lengths are 10 ft. and 5 m. To complete designation, add chain length. For example, a 10 ft. box of 10B-1SLR is PHC 10B-1SLRX10FT. One connecting link is contained per chain. For additional links, add "C/L" for "connecting" and "O/L" for "offset" to the designation.

# Oil field chains

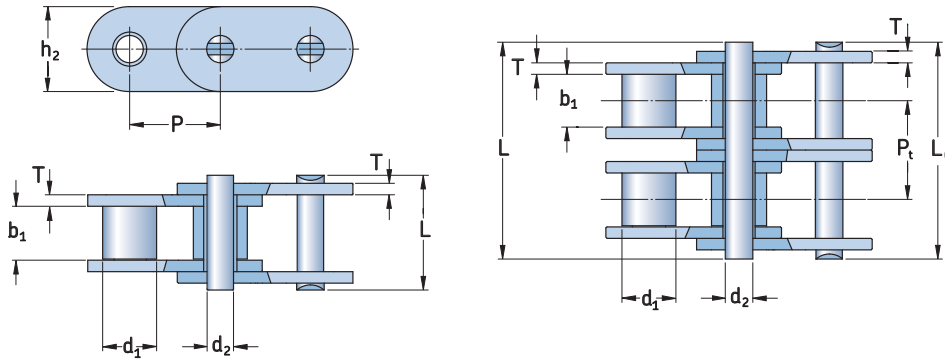


Chain number	ANSI Chain number	Dimensions Pitch P	Roller diameter d <sub>1</sub> Max.	Width between inner plates b <sub>1</sub> Min.	Pin diameter d <sub>2</sub> Max.	Pin length L Max.	Inner plate height h <sub>2</sub> Max.	Plate thickness T Max.	Transverse pitch P <sub>t</sub>	Ultimate tensile strength Q Min.	Mass per meter	Designation
-										kN	kg/m	-
-										mm		
165-1	80-1	25,40	15,88	15,75	7,92	37,55	24,1	3,25	-	55,6	2,60	PHC 165-1...
205-1	100-1	31,75	19,05	18,90	9,53	44,30	30,0	4,00	-	86,9	3,91	PHC 205-1...
245-1	120-1	38,10	22,23	25,22	11,10	54,40	36,2	4,80	-	125,1	5,62	PHC 245-1...
285-1	140-1	44,45	25,40	25,22	12,70	59,00	42,2	5,60	-	170,3	7,50	PHC 285-1...
325-1	160-1	50,80	28,58	31,55	14,27	69,60	48,2	6,40	-	222,4	10,10	PHC 325-1...
365-1	180-1	57,15	35,71	35,48	17,46	78,60	54,3	7,20	-	281,5	13,45	PHC 365-1...
405-1	200-1	63,50	39,68	37,85	19,85	87,20	60,3	8,00	-	347,5	16,15	PHC 405-1...
165-2	80-2	25,40	15,88	15,75	7,92	66,80	24,1	3,25	29,29	111,2	5,15	PHC 165-2...
205-2	100-2	31,75	19,05	18,90	9,53	80,50	30,1	4,00	35,76	173,7	7,80	PHC 205-2...
245-2	120-2	38,10	22,23	25,22	11,10	99,70	36,2	4,80	45,44	250,2	11,70	PHC 245-2...
285-2	140-2	44,45	25,40	25,22	12,70	107,80	42,2	5,60	48,87	340,5	15,14	PHC 285-2...
325-2	160-2	50,80	28,58	31,55	14,27	127,50	48,2	6,40	58,55	444,8	20,14	PHC 325-2...
365-2	180-2	57,15	35,71	35,48	17,46	144,40	54,3	7,20	65,84	562,9	29,22	PHC 365-2...
405-2	200-2	63,50	39,68	37,85	19,85	158,80	60,3	8,00	71,55	695,0	32,24	PHC 405-2...
165-3	80-3	25,40	15,88	15,75	7,92	96,10	24,1	3,25	29,29	166,8	7,89	PHC 165-3...
205-3	100-3	31,75	19,05	18,90	9,53	116,30	30,1	4,00	35,76	260,6	11,77	PHC 205-3...
245-3	120-3	38,10	22,23	25,22	11,10	145,20	36,2	4,80	45,44	375,3	17,53	PHC 245-3...
285-3	140-3	44,45	25,40	25,22	12,70	156,80	42,2	5,60	48,87	510,8	22,20	PHC 285-3...
325-3	160-3	50,80	28,58	31,55	14,27	186,60	48,2	6,40	58,55	667,2	30,02	PHC 325-3...
365-3	180-3	57,15	35,71	35,48	17,46	210,20	54,3	7,20	65,84	844,4	38,22	PHC 365-3...
405-3	200-3	63,50	39,68	37,85	19,85	230,40	60,3	8,00	71,55	1 042,5	49,03	PHC 405-3...
165-4	80-4	25,40	-	15,75	7,92	122,90	24,1	3,25	29,29	222,4	10,24	PHC 165-4...
205-4	100-4	31,75	19,05	18,90	9,53	151,50	30,1	4,00	35,76	347,5	15,39	PHC 205-4...
245-4	120-4	38,10	22,23	25,22	11,10	190,60	36,2	4,80	45,44	500,4	22,19	PHC 245-4...
285-4	140-4	44,45	25,40	25,22	12,70	205,70	42,2	5,60	48,87	681,1	29,63	PHC 285-4...
325-4	160-4	50,80	28,58	31,55	14,27	245,20	48,2	6,40	58,55	889,6	39,94	PHC 325-4...
405-4	200-4	63,50	39,68	37,85	19,85	302,00	60,3	8,00	71,55	1 390,0	63,60	PHC 405-4...
165-5	80-5	25,40	-	15,75	7,92	152,20	24,1	3,25	29,29	278,0	12,79	PHC 165-5...
205-5	100-5	31,75	19,05	18,90	9,53	187,80	30,1	4,00	35,76	434,4	19,22	PHC 205-5...
245-5	120-5	38,10	22,23	25,22	11,10	236,10	36,2	4,80	45,44	625,5	27,71	PHC 245-5...
165-6	80-6	25,40	15,88	15,75	7,92	181,50	24,1	3,25	29,29	333,6	15,34	PHC 165-6...
205-6	100-6	31,75	19,05	18,90	9,53	223,60	30,1	4,00	35,76	521,2	23,05	PHC 205-6...
245-6	120-6	38,10	22,23	25,22	11,10	281,60	36,2	4,80	45,44	750,6	33,24	PHC 245-6...
285-6	140-6	44,45	25,40	25,22	12,70	303,40	42,2	5,60	48,87	1 021,6	44,38	PHC 285-6...
325-6	160-6	50,80	28,58	31,55	14,27	362,30	48,2	6,40	58,55	1 334,4	59,83	PHC 325-6...
405-6	200-6	63,50	39,68	37,85	19,85	445,00	60,3	8,00	71,55	2 085,0	95,23	PHC 405-6...
165-8	80-8	25,40	15,88	15,75	7,92	240,10	24,1	3,25	29,29	444,8	20,44	PHC 165-8...
205-8	100-8	31,75	19,05	18,90	9,53	295,10	30,1	4,00	35,76	695,0	30,71	PHC 205-8...
245-8	120-8	38,10	22,23	25,22	11,10	372,40	36,2	4,80	45,44	1 000,8	44,28	PHC 245-8...

Standard lengths are 10 ft. To complete designation, add chain length. For example, a 10 ft. box of 405-6 is PHC 405-6X10FT. One connecting link is contained per chain. For additional links, add "C/L" for "connecting" and "O/L" for "offset" to the designation.

# Straight side plate chains

A series | B series

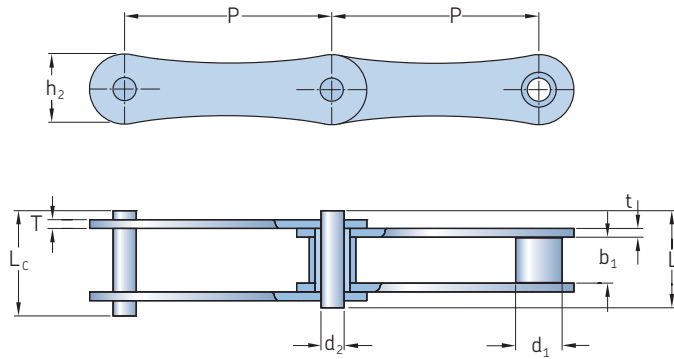


Series	DIN/ISO Chain number	ANSI Chain number	Dimensions			Pin diameter d <sub>2</sub> Max.	Pin length		Inner plate height h <sub>2</sub> Max.	Plate thickness t		Transverse pitch P <sub>t</sub>	Ultimate tensile strength Q Min.	Average tensile strength Q <sub>0</sub>	Mass per meter q	Designation
			Pitch P	Roller diameter d <sub>1</sub> Max.	Width between inner plates b <sub>1</sub> Min.		L Max.	Lc Max.		Max.	Max.					
mm																
A	C06A-1	C35 <sup>1)</sup>	9,525	5,08	4,77	3,58	13,3	14,3	9,0	-	1,3	-	7,9	10,8	0,41	PHC C35-1...
	C08A-1	C40	12,700	7,95	7,85	3,96	16,6	18,8	12,0	-	1,5	-	14,1	17,5	0,73	PHC C40-1...
	C10A-1	C50	15,875	10,16	9,40	5,08	20,7	23,3	15,1	-	2,0	-	22,2	29,4	1,23	PHC C50-1...
	C12A-1	C60	19,050	11,91	12,57	5,94	-	28,3	18,0	-	2,4	-	31,8	41,5	1,81	PHC C60-1...
	C16A-1	C80	25,400	15,88	15,75	7,92	32,7	36,5	24,0	-	3,3	-	56,7	60,4	3,09	PHC C80-1...
	C20A-1	C100	31,750	19,05	18,90	9,53	40,4	44,7	30,0	-	4,0	-	88,5	109,2	4,56	PHC C100-1...
	C24A-1	C120	38,100	22,23	25,22	11,10	50,3	54,3	35,7	-	4,8	-	127,0	166,3	6,86	PHC C120-1...
	C28A-1	C140	44,450	25,40	25,22	12,70	54,4	59,0	41,0	-	5,6	-	172,4	212,0	8,49	PHC C140-1...
	C32A-1	C160	50,800	28,58	31,55	14,27	64,8	69,6	47,8	-	6,4	-	226,8	278,9	11,50	PHC C160-1...
	C08A-2	C40-2	12,700	7,95	7,85	3,96	31,0	33,2	12,0	-	1,5	14,38	28,2	35,9	1,43	PHC C40-2...
	C10A-2	C50-2	15,875	10,16	9,40	5,08	38,9	41,4	15,1	-	2,0	18,11	44,4	58,1	2,42	PHC C50-2...
	C12A-2	C60-2	19,050	11,91	12,57	5,94	48,8	51,1	18,0	-	2,4	22,78	63,6	82,1	3,58	PHC C60-2...
	C16A-2	C80-2	25,400	15,88	15,75	7,92	62,7	65,8	24,0	-	3,3	29,29	113,4	141,8	6,12	PHC C80-2...
	C20A-2	C100-2	31,750	19,05	18,90	9,53	76,4	80,5	30,0	-	4,0	35,76	177,0	219,4	9,08	PHC C100-2...
	C34A-2	C120-2	38,100	22,23	25,22	11,10	95,8	99,7	35,7	-	4,8	45,44	254,0	314,9	13,60	PHC C120-2...
	C28A-2	C140-2	44,450	25,40	25,22	12,70	103,3	107,9	41,0	-	5,6	48,87	344,8	427,5	16,86	PHC C140-2...
	C32A-2	C160-2	50,800	28,58	31,55	14,27	123,3	128,1	47,8	-	6,4	58,55	453,6	562,4	22,90	PHC C160-2...
	C08A-3	C40-3	12,700	7,95	7,85	3,96	45,4	47,6	12,0	-	1,5	14,38	42,3	50,0	2,14	PHC C40-3...
	C10A-3	C50-3	15,875	10,16	9,40	5,08	57,0	59,5	15,1	-	2,0	18,11	66,6	77,8	3,62	PHC C50-3...
	C12A-3	C60-3	19,050	11,91	12,57	5,94	71,5	73,9	18,0	-	2,4	22,78	95,4	111,1	5,36	PHC C60-3...
	C16A-3	C80-3	25,400	15,88	15,75	7,92	91,7	95,1	24,0	-	3,3	29,29	170,1	198,4	9,10	PHC C80-3...
	C20A-3	C100-3	31,750	19,05	18,90	9,53	112,2	116,3	30,0	-	4,0	35,76	265,5	309,6	13,60	PHC C100-3...
	C24A-3	C120-3	38,100	22,23	25,22	11,10	141,4	145,2	35,7	-	4,8	45,44	381,0	437,2	20,43	PHC C120-3...
	C28A-3	C140-3	44,450	25,40	25,22	12,70	152,2	156,8	41,0	-	5,6	48,87	517,2	593,3	25,23	PHC C140-3...
C32A-3	C160-3	50,800	28,58	31,55	14,27	181,8	186,6	47,8	-	6,4	58,55	680,4	780,6	34,49	PHC C160-3...	
B	C08B-1	-	12,700	8,51	7,75	4,45	16,7	18,2	11,8	1,6	1,6	-	18,0	19,5	0,80	PHC C08B-1...
	C10B-1	-	15,880	10,16	9,65	5,08	19,5	20,9	14,7	1,7	1,7	-	22,4	27,9	1,06	PHC C10B-1...
	C12B-1	-	19,060	12,07	11,68	5,72	22,5	25,2	16,0	1,9	1,9	-	29,0	32,2	1,32	PHC C12B-1...
	C16BX21-1	-	25,400	15,88	17,02	8,28	36,1	39,1	21,0	4,2	3,1	-	60,0	72,8	3,08	PHC C16BX21-1...
	C16BX24-1	-	25,400	15,88	17,02	8,28	36,1	39,1	24,0	4,2	3,1	-	60,0	72,8	3,49	PHC C16BX24-1...
	C20B-1	-	31,750	19,05	19,56	10,19	41,3	45,0	26,4	4,5	3,5	-	95,0	106,7	4,16	PHC C20B-1...
	C24B-1	-	38,100	25,40	25,40	14,63	53,4	57,8	33,2	6,0	4,8	-	160,0	178,0	7,47	PHC C24B-1...
	C28B-1	-	44,450	27,94	30,99	15,90	66,1	69,5	36,7	7,5	6,0	-	200,0	222,0	9,90	PHC C28B-1...
	C32B-1	-	50,800	29,21	30,99	17,81	66,0	71,0	42,0	7,0	6,0	-	250,0	277,5	10,45	PHC C32B-1...
	C08B-2	-	12,700	8,51	7,75	4,45	31,2	32,2	11,8	1,6	1,6	13,92	32,0	38,7	1,45	PHC C08B-2...
	C10B-2	-	15,880	10,16	9,65	5,08	36,1	37,5	14,7	1,7	1,7	16,59	44,5	57,8	2,00	PHC C10B-2...
	C12B-2	-	19,050	12,07	11,68	5,72	42,0	44,7	16,0	1,9	1,9	19,46	57,8	66,1	2,62	PHC C12B-2...
	C16BX21-2	-	25,400	15,88	17,02	8,28	68,0	71,0	21,0	4,2	3,1	31,88	106,0	133,0	6,10	PHC C16BX21-2...
	C16BX24-2	-	25,400	15,88	17,02	8,28	68,0	71,0	24,0	4,2	3,1	31,88	106,0	133,0	6,92	PHC C16BX24-2...
	C20B-2	-	31,750	19,05	19,56	10,19	77,8	81,5	26,4	4,5	3,5	36,45	170,0	211,2	8,23	PHC C20B-2...
	C24B-2	-	38,100	25,40	25,40	14,63	101,7	106,2	33,2	6,0	4,8	48,36	280,0	319,2	14,77	PHC C24B-2...
	C28B-2	-	44,450	27,94	30,99	15,90	124,6	129,1	36,7	7,5	6,0	59,56	360,0	406,8	19,82	PHC C28B-2...
	C32B-2	-	50,800	29,21	30,99	17,81	124,6	129,6	42,0	7,0	6,0	58,65	450,0	508,5	20,94	PHC C32B-2...
	C08B-3	-	12,700	8,51	7,75	4,45	45,1	46,1	11,8	1,6	1,6	13,92	47,5	57,8	2,10	PHC C08B-3...
	C10B-3	-	15,880	10,16	9,65	5,08	52,7	54,1	14,7	1,7	1,7	16,59	66,7	84,5	2,87	PHC C10B-3...
	C12B-3	-	19,050	12,07	11,66	5,72	61,5	64,2	16,0	1,9	1,9	19,46	86,7	101,8	3,89	PHC C12B-3...
	C16BX21-3	-	25,400	15,88	17,02	8,28	99,8	102,9	21,0	4,2	3,1	31,88	160,0	203,7	9,12	PHC C16BX21-3...
	C16BX24-3	-	25,400	15,88	17,02	8,28	99,8	102,9	24,0	4,2	3,1	31,88	160,0	203,7	10,34	PHC C16BX24-3...
	C20B-3	-	31,750	19,05	19,56	10,19	114,2	117,9	26,4	4,5	3,5	36,45	250,0	290,0	11,34	PHC C20B-3...
	C24B-3	-	38,100	25,40	25,40	14,63	150,1	154,6	33,2	6,0	4,8	48,36	425,0	493,0	22,10	PHC C24B-3...
	C28B-3	-	44,450	27,94	30,99	15,90	184,2	188,7	36,7	7,5	6,0	59,56	530,0	609,5	29,64	PHC C28B-3...
	C32B-3	-	50,800	29,21	30,99	17,81	183,2	188,2	42,0	7,0	6,0	58,55	670,0	770,5	31,27	PHC C32B-3...

<sup>1)</sup> Bushing chain: d<sub>1</sub> in the table indicates the external diameter of the bushing. Standard lengths are 10 ft. and 5 m. To complete designation, add chain length. For example, a 10 ft. box of C08A-1 is PHC C08A-1X10FT. One connecting link is contained per chain. For additional links, add "C/L" for "connecting" and "O/L" for "offset" to the designation.

## Double pitch chains

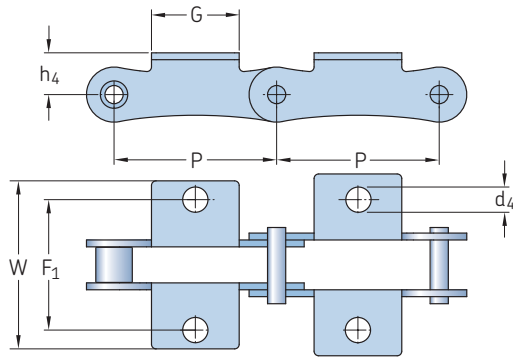
### Transmission chains



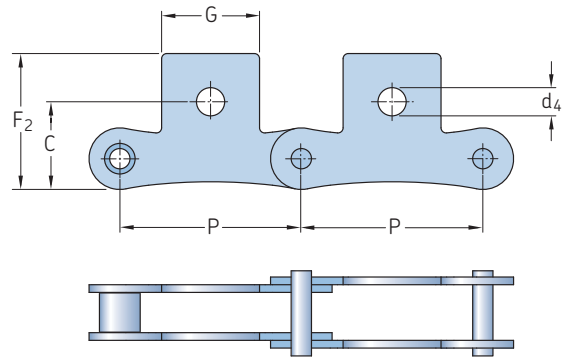
ANSI Chain number	BS/ISO Chain number	Dimensions		Width between inner plates $b_1$ Min.	Pin diameter $d_2$ Max.	Pin length		Inner plate height $h_2$ Max.	Plate thickness		Ultimate tensile strength $Q$ Min.	Average tensile strength $Q_0$	Mass per meter	Designation
		Pitch $P$	Roller diameter $d_1$ Max.			$L$ Max.	$L_c$ Max.		$t$ Max.	$T$ Max.				
–	–	mm									kN		kg/m	–
2040	208A	25,40	7,95	7,85	3,96	16,6	17,8	12,0	1,50	1,50	14,1	16,7	0,42	PHC 2040...
2050	210A	31,75	10,16	9,40	5,08	20,7	22,2	15,0	2,03	2,03	22,2	28,1	0,73	PHC 2050...
2060	212A	38,10	11,91	12,57	5,94	25,9	27,7	18,0	2,42	2,42	31,8	36,8	1,02	PHC 2060...
2080	216A	50,80	15,88	15,75	7,92	32,7	36,5	24,0	3,25	3,25	56,7	65,7	1,70	PHC 2080...
2100	220A	63,50	19,05	18,90	9,53	40,4	44,7	30,0	4,00	4,00	88,5	102,6	2,55	PHC 2100...
2120	224A	76,20	22,23	25,22	11,10	50,3	54,3	35,7	4,80	4,80	127,0	147,3	4,06	PHC 2120...
–	208B	25,40	8,51	7,75	4,45	16,7	18,2	11,8	1,60	1,60	18,0	19,4	0,45	PHC 208B...
–	210B	31,75	10,16	9,65	5,08	19,5	20,9	14,7	1,70	1,70	22,4	27,5	0,65	PHC 210B...
–	212B	38,10	12,07	11,68	5,72	22,5	25,2	16,0	1,85	1,85	29,0	32,2	0,76	PHC 212B...
–	216B	50,80	15,88	17,02	8,28	36,1	39,1	21,0	4,15	3,10	60,0	72,8	1,75	PHC 216B...
–	220B	63,50	19,05	19,56	10,19	41,3	45,0	26,4	4,50	3,50	95,0	106,7	2,62	PHC 220B...
–	224B	76,20	25,40	25,40	14,63	53,4	57,8	33,2	6,00	4,80	160,0	178,0	4,70	PHC 224B...
–	228B	88,90	27,94	30,99	15,90	65,1	69,5	36,7	7,50	6,00	200,0	222,0	6,23	PHC 228B...
–	232B	101,60	29,21	30,99	17,81	66,0	71,0	42,0	7,00	6,00	250,0	277,5	6,72	PHC 232B...

Standard lengths are 10 ft. and 5 m. To complete designation, add chain length. For example, a 5 m box of 2060 is PHC 2060X5MTR. One connecting link is contained per chain. For additional links, add "C/L" for "connecting" and "O/L" for "offset" to the designation.

**Double pitch chains**  
Transmission attachments



K-1



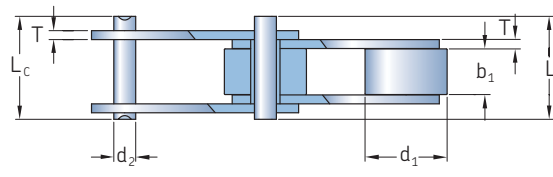
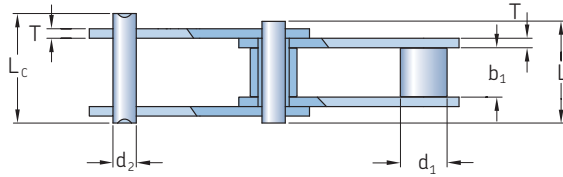
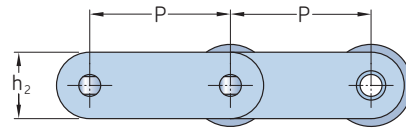
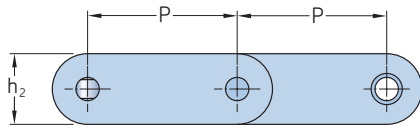
SK-1

ANSI Chain number	BS/ISO Chain number	Dimensions Pitch										Designation
		P	G	F1	W	h <sub>4</sub>	d <sub>4</sub>	C	F <sub>2</sub>	d <sub>5</sub>		
-	-	mm										-
2040	208A	25,40	19,1	25,4	39,6	9,1	3,4	11,1	20,5	5,5	PHC 2040...	
2050	210A	31,75	23,8	31,8	49,0	11,1	5,5	14,3	25,0	6,6	PHC 2050...	
2060	212A	38,10	28,6	42,9	67,8	14,7	5,5	17,5	32,9	9,2	PHC 2060...	
2080	216A	50,80	38,1	55,6	87,8	19,1	6,8	22,2	43,5	11,0	PHC 2080...	
2100	220A	63,50	47,6	66,6	107,5	23,4	9,2	28,6	50,4	13,0	PHC 2100...	
2120	224A	76,20	57,2	79,3	121,4	27,8	10,5	33,3	55,5	15,0	PHC 2120...	
-	208B	25,40	23,2	25,4	39,6	9,1	4,5	11,1	20,5	5,5	PHC 208B...	
-	210B	31,75	23,8	31,8	49,0	11,1	5,5	-	-	-	PHC 210B...	
-	212B	38,10	35,0	38,1	57,0	14,7	6,6	-	-	-	PHC 212B...	
-	216B	50,80	44,0	50,8	84,0	19,1	6,6	-	-	-	PHC 216B...	
-	220B	63,50	52,0	63,5	104,0	23,4	8,4	-	-	-	PHC 220B...	
-	224B	76,20	60,0	76,2	120,0	27,8	10,5	-	-	-	PHC 224B...	

To complete designation, add attachment spacing and type followed by chain length. For example, PHC 2060-L1K1X10FT (2060 chain with K-1 attachment on every link, 10 ft. length). Note: Also available in stainless steel. When ordering, add SS after the chain number. For example, PHC 2060SS-L1K1X10FT.

# Conveyor chains

## C series



Small roller type

Large roller type

ANSI Chain number	BS/ISO Chain number	Dimensions		Width between inner plates b <sub>1</sub> Max.	Pin diameter d <sub>2</sub> Max.	Pin length		Inner plate height h <sub>2</sub> Max.	Plate thickness T Max.	Ultimate tensile strength Q Min.	Average tensile strength Q <sub>0</sub>	Mass per meter	Designation
		Pitch P	Roller diameter d <sub>1</sub> Max.			L Max.	L <sub>c</sub> Max.						
-	-	mm								kN		kg/m	-
C2040	C208A	25,40	7,95	7,85	3,96	16,6	17,8	12,0	1,50	14,1	16,7	0,50	PHC C2040...
C2042	C208AL	25,40	15,88	7,85	3,96	16,6	17,8	12,0	1,50	14,1	16,7	0,84	PHC C2042...
C2040H	C208AH	25,40	7,95	7,85	3,96	18,8	19,9	12,0	2,03	14,1	17,2	0,65	PHC C2040H...
C2050	C210A	31,75	10,16	9,40	5,08	20,7	22,2	15,0	2,03	22,2	28,1	0,78	PHC C2050...
C2052	C210AL	31,75	19,05	9,40	5,08	20,7	22,2	15,0	2,03	22,2	28,1	1,27	PHC C2052...
C2060	C212A	38,10	11,91	12,57	5,94	25,9	27,7	18,0	2,42	31,8	36,8	1,12	PHC C2060...
C2062	C212AL	38,10	22,23	12,57	5,94	25,9	27,7	18,0	2,42	31,8	36,8	1,61	PHC C2062...
C2060H	C212AH	38,10	11,91	12,57	5,94	29,2	31,6	18,0	3,25	31,8	41,6	1,44	PHC C2060H...
C2062H	C212AHL	38,10	22,23	12,57	5,94	29,2	31,6	18,0	3,25	31,8	41,6	2,07	PHC C2062H...
C2080	C216A	50,80	15,88	15,75	7,92	32,7	36,5	24,0	3,25	56,7	65,7	2,08	PHC C2080...
C2082	C216AL	50,80	28,58	15,75	7,92	32,7	36,5	24,0	3,25	56,7	65,7	3,12	PHC C2082...
C2080H	C216AH	50,80	15,88	15,75	7,92	36,2	39,4	24,0	4,00	56,7	70,0	2,54	PHC C2080H...
C2082H	C216AHL	50,80	28,58	15,75	7,92	36,2	39,4	24,0	4,00	56,7	70,0	3,58	PHC C2082H...
C2100	C220A	63,50	19,05	18,90	9,53	40,4	44,7	30,0	4,00	88,5	102,6	3,01	PHC C2100...
C2102	C220AL	63,50	39,67	18,90	9,53	40,4	44,7	30,0	4,00	88,5	102,6	4,83	PHC C2102...
C2100H	C220AH	63,50	19,05	18,90	9,53	43,6	46,9	30,0	4,80	88,5	112,4	3,56	PHC C2100H...
C2102H	C220AHL	63,50	39,67	18,90	9,53	43,6	46,9	30,0	4,80	88,5	112,4	5,38	PHC C2102H...
C2120	C224A	76,20	22,23	25,22	11,10	50,3	54,3	35,7	4,80	127,0	147,3	4,66	PHC C2120...
C2122	C224AL	76,20	44,45	25,22	11,10	50,3	54,3	35,7	4,80	127,0	147,3	7,66	PHC C2122...
C2120H	C224AH	76,20	22,23	25,22	11,10	53,5	57,5	35,7	5,60	127,0	160,9	5,26	PHC C2120H...
C2122H	C224AHL	76,20	44,45	25,22	11,10	53,5	57,5	35,7	5,60	127,0	160,9	8,26	PHC C2122H...
C2160	C232A	101,60	28,58	31,75	14,27	64,8	69,6	47,8	6,40	226,8	278,9	8,15	PHC C2160...
C2162	C232AL	101,60	57,15	31,75	14,27	64,8	69,6	47,8	6,40	226,8	278,9	13,00	PHC C2162...
C2160H	C232AH	101,60	28,58	31,75	14,27	68,2	73,0	47,8	7,20	226,8	285,8	9,06	PHC C2160H...
C2162H	C232AHL	101,60	57,15	31,75	14,27	68,2	73,0	47,8	7,20	226,8	285,8	12,77	PHC C2162H...

Standard lengths are 10 ft. and 5 m. To complete designation, add chain length. For example, a 5 m box of 2060-1 is PHC C2060X5MTR.

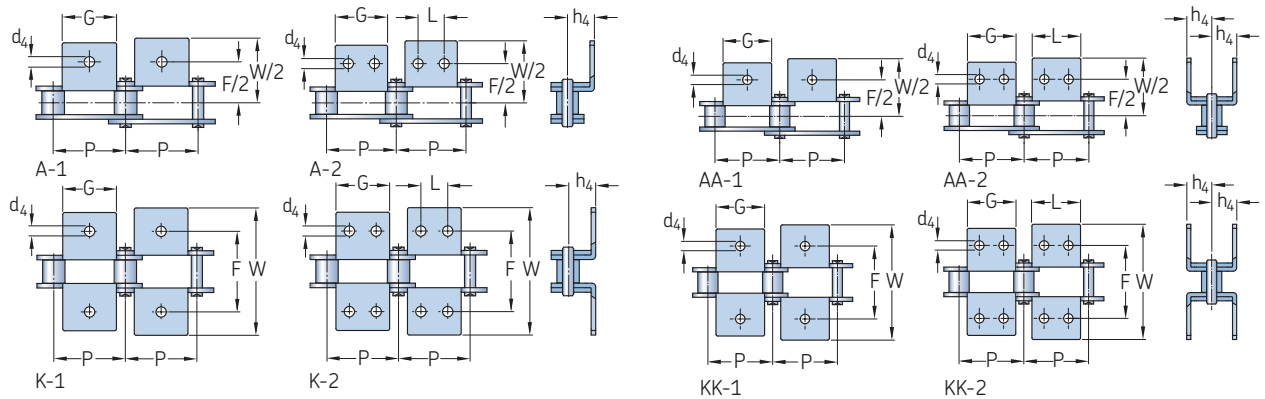
For ordering a special roller type add letter after pitch size (s for small rollers and p for large rollers). For example, to order C2040 with 25,40 mm pitch with small rollers in 10 ft. length, use designation PHC C2040-25.4SX10FT.

One connecting link is contained per chain. For additional links, add "C/L" for "connecting" and "O/L" for "offset" to the designation.



# Conveyor chain C series attachments

A-1 | A-2 | K-1 | K-2 | AA-1 | AA-2 | KK-1 | KK-2



ANSI Chain number	BS/ISO Chain number	Dimensions							Designation
		P	G	L	F	W	h <sub>4</sub>	d <sub>4</sub>	
		mm							
C2040 <sup>1)</sup>	C208A	25,4	19,1	9,5	25,4	39,6	9,1	3,4	PHC C2040...
C2042 <sup>1)</sup>	C208AL	25,4	19,1	9,5	25,4	39,6	9,1	3,4	PHC C2042...
C2050 <sup>1)</sup>	C210A	31,8	23,8	11,9	31,8	49,0	11,1	5,5	PHC C2050...
C2052 <sup>1)</sup>	C210AL	31,8	23,8	11,9	31,8	49,0	11,1	5,5	PHC C2052...
C2060 <sup>1)</sup>	C212A	38,1	28,6	14,3	42,9	67,8	14,7	5,5	PHC C2060...
C2062 <sup>1)</sup>	C212AL	38,1	28,6	14,3	42,9	67,8	14,7	5,5	PHC C2062...
C2060H <sup>1)</sup>	C212AH	38,1	28,6	14,3	42,9	67,8	14,7	5,5	PHC C2060H...
C2062H <sup>1)</sup>	C212AHL	38,1	28,6	14,3	42,9	67,8	14,7	5,5	PHC C2062H...
C2080 <sup>1)</sup>	C216A	50,8	38,1	19,1	55,6	87,8	19,1	6,8	PHC C2080...
C2082 <sup>1)</sup>	C216AL	50,8	38,1	19,1	55,6	87,8	19,1	6,8	PHC C2082...
C2080H <sup>1)</sup>	C216AH	50,8	38,1	19,1	55,6	87,8	19,1	6,8	PHC C2080H...
C2082H <sup>1)</sup>	C216AHL	50,8	38,1	19,1	55,6	87,8	19,1	6,8	PHC C2082H...
C2100	C220A	63,5	47,6	23,8	66,6	107,5	23,4	9,2	PHC C2100...
C2102	C220AL	63,5	47,6	23,8	66,6	107,5	23,4	9,2	PHC C2102...
C2100H	C220AH	63,5	47,6	23,8	66,6	107,5	23,4	9,2	PHC C2100H...
C2102H	C220AHL	63,5	47,6	23,8	66,6	107,5	23,4	9,2	PHC C2102H...
C2120	C224A	76,2	57,2	28,6	79,3	121,4	27,8	11,0	PHC C2120...
C2122	C224AL	76,2	57,2	28,6	79,3	121,4	27,8	11,0	PHC C2122...
C2120H	C224AH	76,2	57,2	28,6	79,3	121,4	27,8	11,0	PHC C2120H...
C2122H	C224AHL	76,2	57,2	28,6	79,3	121,4	27,8	11,0	PHC C2122H...
C2160	C232A	101,6	76,2	38,1	104,7	151,6	36,5	13,1	PHC C2160...
C2162	C232AL	101,6	76,2	38,1	104,7	151,6	36,5	13,1	PHC C2162...
C2160H	C232AH	101,6	76,2	38,1	104,7	151,6	36,5	13,1	PHC C2160H...
C2162H	C232AHL	101,6	76,2	38,1	104,7	151,6	36,5	13,1	PHC C2162H...

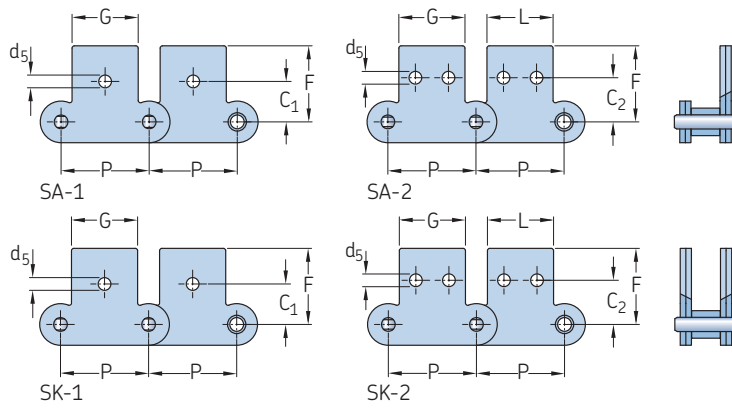
<sup>1)</sup> For these chains AA-1, AA-2, KK-1 and KK-2 attachments are available.

To complete designation, add attachment spacing and type followed by chain length. For example, PHC C2060-L2A1X10FT (C2060 with A-1 attachment on every second link, 10 ft. length).

Note: Also available in stainless steel. When ordering, add SS after the chain number. For example, PHC C2060SS-L2A1X10FT.

# Conveyor chain C series attachments

SA-1 | SA-2 | SK-1 | SK-2

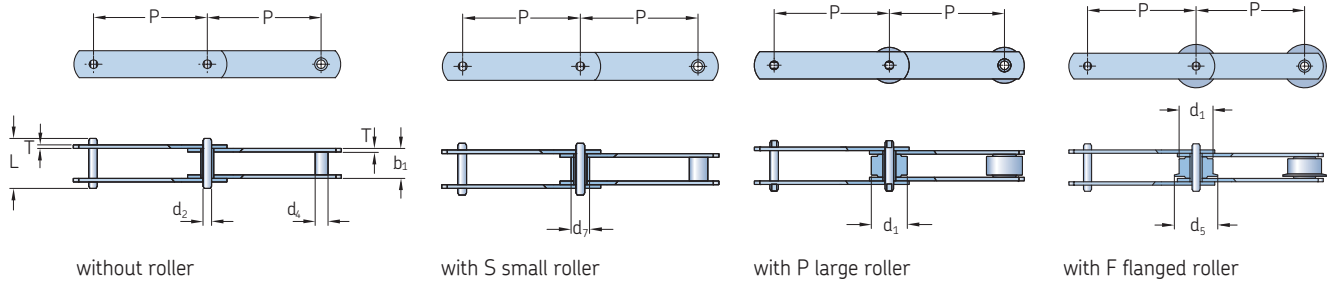


ANSI Chain number	BS/ISO Chain number	Dimensions								Designation
		P	G	L	C <sub>1</sub>	C <sub>2</sub>	F	d <sub>4</sub>	d <sub>5</sub>	
-		mm								-
C2040	C208A	25,4	19,1	9,5	11,1	13,5	20,5	3,4	5,5	PHC C2040...
C2042	C208AL	25,4	19,1	9,5	11,1	13,5	20,5	3,4	5,5	PHC C2042...
C2050	C210A	31,8	23,8	11,9	14,3	15,9	25,0	5,5	6,6	PHC C2050...
C2052	C210AL	31,8	23,8	11,9	14,3	15,9	25,0	5,5	6,6	PHC C2052...
C2060	C212A	38,1	28,6	14,3	17,5	19,1	32,9	5,5	9,2	PHC C2060...
C2062	C212AL	38,1	28,6	14,3	17,5	19,1	32,9	5,5	9,2	PHC C2062...
C2060H	C212AH	38,1	28,6	14,3	17,5	19,1	32,9	5,5	9,2	PHC C2060H...
C2062H	C212AHL	38,1	28,6	14,3	17,5	19,1	32,9	5,5	9,2	PHC C2062H...
C2080	C216A	50,8	38,1	19,1	22,2	25,4	43,5	6,6	11,0	PHC C2080...
C2082	C216AL	50,8	38,1	19,1	22,2	25,4	43,5	6,6	11,0	PHC C2082...
C2080H	C216AH	50,8	38,1	19,1	22,2	25,4	43,5	6,6	11,0	PHC C2080H...
C2082H	C216AHL	50,8	38,1	19,1	22,2	25,4	43,5	6,6	11,0	PHC C2082H...
C2100	C220A	63,5	47,6	23,8	28,6	31,8	50,4	8,4	13,0	PHC C2100...
C2102	C220AL	63,5	47,6	23,8	28,6	31,8	50,4	8,4	13,0	PHC C2102...
C2100H	C220AH	63,5	47,6	23,8	28,6	31,8	50,4	8,4	13,0	PHC C2100H...
C2102H	C220AHL	63,5	47,6	23,8	28,6	31,8	50,4	8,4	13,0	PHC C2102H...

To complete designation, add attachment spacing and type followed by chain length. For example, PHC C2060-1-L5SK2X10FT (C2060-1 with SK-2 attachment on every fifth link, 10 ft. length). Note: Also available in stainless steel. When ordering, add SS after the chain number. For example, PHC C2060-1SS-L5SK2X10FT.

# Conveyor chains

## M series



BS/ISO Chain number	Pitch sizes available													
	P													
	mm													
M20	40 <sup>1)</sup>	50	63	80	100	125	160	-	-	-	-	-	-	-
M28	-	50 <sup>1)</sup>	63	80	100	125	160	200	-	-	-	-	-	-
M40	-	-	63	80	100	125	160	200	250	-	-	-	-	-
M56	-	-	63 <sup>1)</sup>	80	100	125	160	200	250	-	-	-	-	-
M80	-	-	-	80	100	125	160	200	250	315	-	-	-	-
M112	-	-	-	80 <sup>1)</sup>	100	125	160	200	250	315	400	-	-	-
M160	-	-	-	-	100 <sup>1)</sup>	125	160	200	250	315	400	500	-	-
M224	-	-	-	-	-	125 <sup>1)</sup>	160	200	250	315	400	500	630	-
M315	-	-	-	-	-	-	160 <sup>1)</sup>	200	250	315	400	500	630	-
M450	-	-	-	-	-	-	-	200	250	315	400	500	630	800

<sup>1)</sup> Only available with small roller or without roller.

BS/ISO Chain number	Dimensions			Bush diameter d <sub>4</sub> Max.	Width between inner plates b <sub>1</sub> Max.	Pin diameter d <sub>2</sub> Max.	Pin length L Max.	Plate height h <sub>2</sub> Max.	Plate thickness T Max.	Ultimate tensile strength Q Min.	Average tensile strength Q <sub>0</sub>	Designation
	Roller diameter	d <sub>1</sub> Max.	d <sub>7</sub> Max.									
-	mm											-
M20A	25	12,5	32	9,0	16	6,0	35	19	2,5	20	25,0	PHC M20A...
M28A	30	15,0	36	10,0	18	7,0	40	21	3,0	28	35,0	PHC M28A...
M40A	36	18,0	42	12,5	20	8,5	45	26	3,5	40	50,0	PHC M40A...
M56A	42	21,0	50	15,0	24	10,0	52	31	4,0	56	70,0	PHC M56A...
M80A	50	25,0	60	18,0	28	12,0	62	36	5,0	80	100,0	PHC M80A...
M112A	60	30,0	70	21,0	32	15,0	73	41	6,0	112	140,0	PHC M112A...
M160A	70	36,0	85	25,0	37	18,0	85	51	7,0	160	200,0	PHC M160A...
M224A	85	42,0	100	30,0	43	21,0	98	62	8,0	224	280,0	PHC M224A...
M315A	100	50,0	120	36,0	48	25,0	112	72	10,0	315	393,7	PHC M315A...
M450A	120	60,0	140	42,0	56	30,0	135	82	12,0	450	562,5	PHC M450A...

Standard lengths are 10 ft. and 5 m. To complete designation, add pitch size and chain length. For example, to order M20A with 40 mm pitch without roller in 10 ft. length, use designation PHC M20A-40X10FT.

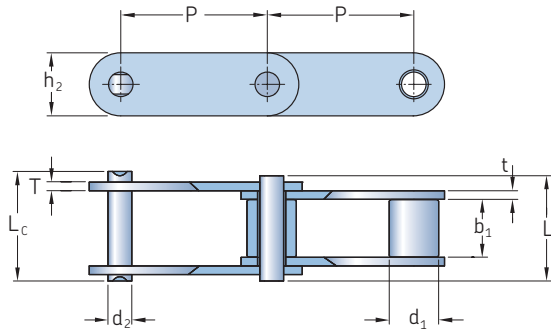
For ordering a special roller type, add letter after pitch size (s for small roller, p for large roller and f for flanged roller). For example, to order M20A with 40 mm pitch with small roller in 10 ft length, use designation PHC M20A-40SX10FT.

One connecting link is contained per chain. For additional links, add "C/L" for "connecting" and "O/L" for "offset" to the designation.

For the complete range of SKF Conveyor Chains available, please refer to the SKF Conveyor Chain Catalogue (PUB PT/P2 10818 EN).

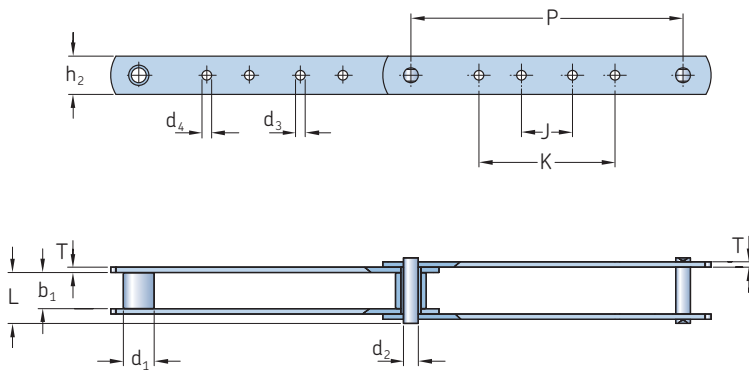
# Conveyor chains

Lumber mill series | 3939 series



Chain number	Dimensions							Inner plate height $h_2$ Max.	Plate thickness $t$ Max.	T Max.	Ultimate tensile strength $Q$ Min.	Average tensile strength $Q_0$	Mass per meter	Designation
	Pitch $P$	Roller diameter $d_1$ Max.	Width between inner plates $b_1$ Min.	Pin diameter $d_2$ Max.	Pin length $L$ Max.	$L_c$ Max.								
-	mm										kN		kg/m	-
<b>81X</b>	66,27	23,0	27,00	11,10	49,0	53,5	28,50	4,00	4,00	106,7	128,9	3,78	PHC 81X...	
<b>81XH</b>	66,27	23,0	27,78	11,10	60,7	65,1	31,35	7,94	5,55	151,9	175,7	5,88	PHC 81XH...	
<b>81XHH</b>	66,27	23,0	27,78	11,10	65,6	70,0	31,35	7,94	7,94	191,1	212,6	6,70	PHC 81XHH...	
<b>81XHS</b>	66,27	23,0	27,00	11,10	63,6	68,0	31,80	7,60	7,60	152,0	177,2	6,55	PHC 81XHS...	
<b>500R</b>	50,00	25,4	25,40	14,63	52,0	56,4	40,00	5,00	5,00	100,0	114,5	7,13	PHC 500R...	
<b>441.100R</b>	100,00	25,4	25,40	14,63	52,0	56,4	40,00	5,00	5,00	100,0	114,5	5,15	PHC 441.100R...	

Standard lengths are 10 ft. and 5 m. To complete designation, add chain length. For example, a 5 m box of 81X is PHC 81X5MTR. One connecting link is contained per chain. For additional links, add "C/L" for "connecting" and "O/L" for "offset" to the designation.

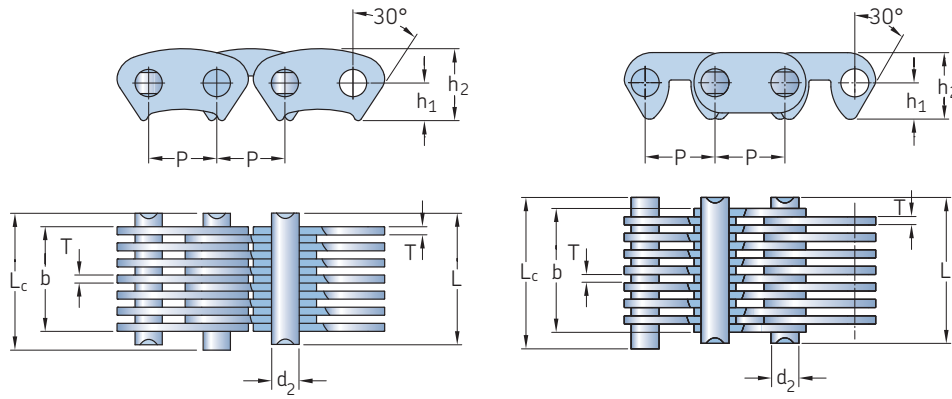


Chain number	Dimensions										Plate thickness $T$ Max.	Ultimate tensile strength $Q$ Min.	Average tensile strength $Q_0$	Mass per meter	Designation
	Pitch $P$	Roller diameter $d_1$ Max.	Width between inner plates $b_1$ Min.	Pin diameter $d_2$ Max.	Pin length $L$ Max.	Inner plate height $h_2$ Max.	$d_3$ Max.	$d_4$ Max.	$J$ Max.	$K$ Max.					
-	mm											kN		kg/m	-
<b>3939-B4</b>	203,2	23	27	11,1	49	28,58	7,2	7,2	38,1	101,6	4	115,58	136,5	2,45	PHC 3939-B4...
<b>3939-B21</b>	203,2	23	27	11,1	49	28,58	7,2	-	38,1	-	4	115,58	136,5	2,45	PHC 3939-B21...
<b>3939-B23</b>	203,2	23	27	11,1	49	28,58	-	10,3	-	92,1	4	115,58	136,5	2,45	PHC 3939-B23...
<b>3939-B24</b>	203,2	23	27	11,1	49	28,58	-	7,2	-	101,6	4	115,58	136,5	2,48	PHC 3939-B24...
<b>3939-B40</b>	203,2	23	27	11,1	49	28,58	-	10,3	-	101,6	4	115,58	136,5	2,45	PHC 3939-B40...
<b>3939-B43</b>	203,2	23	27	11,1	49	28,58	7,2	10,3	38,1	92,1	4	115,58	136,5	2,42	PHC 3939-B43...
<b>3939-B44</b>	203,2	23	27	11,1	49	28,58	7,2	10,3	38,1	101,6	4	115,58	136,5	2,45	PHC 3939-B44...

Standard lengths are 10 ft. and 5 m. To complete designation, add chain length. For example, a 5 m box of 3939-B4 is PHC 3939-B4X5MTR. One connecting link is contained per chain. For additional links, add "C/L" for "connecting" and "O/L" for "offset" to the designation.

# Silent chains

Flank contact | Crotch contact

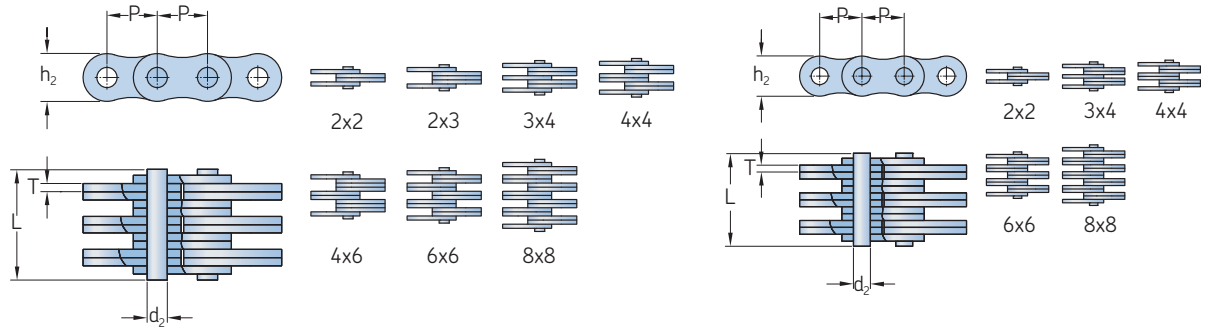


Contact type	Chain number	Dimensions		Pin diameter $d_2$ Max.	Pin length		Distance from hole center to tooth $h_1$ Max.	Plate height $h_2$ Max.	Plate thickness $T$ Max.	Guide form	Number of plates	Ultimate tensile strength $Q$ Min.	Average tensile strength $Q_0$	Mass per meter	Designation
		Pitch $P$	Chain width $b$ Min.		$L$ Max.	$L_c$ Max.									
		mm										kN		kg/m	
Flank	CL06-13.5	9,53	13,5	3,95	18,5	20,0	5,30	10,0	1,5	Outside	9	10,0	11,2	0,60	PHC CL06-13.5...
	CL06-16.5	9,53	16,5	3,95	21,5	23,0	5,30	10,0	1,5	Outside	11	12,5	14,0	0,73	PHC CL06-16.5...
	CL06-19.5	9,53	19,5	3,95	24,5	26,0	5,30	10,0	1,5	Outside	13	15,0	16,8	0,85	PHC CL06-19.5...
	CL06-22.5	9,53	22,5	3,95	27,5	29,0	5,30	10,0	1,5	Outside	15	17,5	19,6	1,00	PHC CL06-22.5...
	CL06-28.5	9,53	28,5	3,95	33,5	35,0	5,30	10,0	1,5	Inside	19	22,5	25,2	1,26	PHC CL06-28.5...
	CL08-19.5	12,70	19,5	5,08	24,5	26,0	7,00	13,4	1,5	Outside	13	23,4	26,2	1,15	PHC CL08-19.5...
	CL08-22.5	12,70	22,5	5,08	27,5	29,0	7,00	13,4	1,5	Outside	15	27,4	30,6	1,33	PHC CL08-22.5...
	CL08-25.5	12,70	25,5	5,08	30,5	32,0	7,00	13,4	1,5	Outside	17	31,3	35,0	1,50	PHC CL08-25.5...
	CL08-28.5	12,70	28,5	5,08	33,5	35,0	7,00	13,4	1,5	Inside	19	35,2	39,4	1,68	PHC CL08-28.5...
	CL08-34.5	12,70	34,5	5,08	39,5	41,0	7,00	13,4	1,5	Inside	23	43,0	48,1	2,04	PHC CL08-34.5...
	CL08-40.5	12,70	40,5	5,08	45,5	47,0	7,00	13,4	1,5	Inside	27	50,8	56,8	2,39	PHC CL08-40.5...
	CL08-46.5	12,70	46,5	5,08	51,5	53,0	7,00	13,4	1,5	Inside	31	58,6	65,6	2,74	PHC CL08-46.5...
	CL08-52.5	12,70	52,5	5,08	57,5	59,0	7,00	13,4	1,5	Inside	35	66,4	74,3	3,10	PHC CL08-52.5...
	CL10-30.0	15,88	30,0	5,92	37,0	38,2	8,70	16,7	2,0	Inside	15	45,6	50,6	2,21	PHC CL10-30.0...
	CL10-38.0	15,88	38,0	5,92	45,0	46,2	8,70	16,7	2,0	Inside	19	58,6	65,0	2,80	PHC CL10-38.0...
	CL10-46.0	15,88	46,0	5,92	53,0	54,2	8,70	16,7	2,0	Inside	23	71,7	79,5	3,39	PHC CL10-46.0...
	CL10-54.0	15,88	54,0	5,92	61,0	62,4	8,70	16,7	2,0	Inside	27	84,7	94,0	3,99	PHC CL10-54.0...
	CL10-62.0	15,88	62,0	5,92	69,0	70,4	8,70	16,7	2,0	Inside	31	97,7	108,4	4,58	PHC CL10-62.0...
	CL12-38.0	19,05	38,0	6,90	45,0	46,5	10,50	20,0	2,0	Inside	19	70,0	77,6	3,37	PHC CL12-38.0...
	CL12-46.0	19,05	46,0	6,90	53,0	54,5	10,50	20,0	2,0	Inside	23	86,0	95,4	4,08	PHC CL12-46.0...
	CL12-54.0	19,05	54,0	6,90	61,0	62,8	10,50	20,0	2,0	Inside	27	102,0	113,2	4,78	PHC CL12-54.0...
	CL12-62.0	19,05	62,0	6,90	69,0	70,8	10,50	20,0	2,0	Inside	31	117,0	129,8	5,50	PHC CL12-62.0...
	CL12-70.0	19,05	70,0	6,90	77,0	78,8	10,50	20,0	2,0	Inside	35	133,0	147,6	6,20	PHC CL12-70.0...
	CL16-45.0	25,40	45,0	8,90	52,0	53,5	14,00	26,7	3,0	Inside	15	111,0	123,2	5,31	PHC CL16-45.0...
	CL16-51.0	25,40	51,0	8,90	58,0	59,5	14,00	26,7	3,0	Inside	17	125,0	138,7	6,02	PHC CL16-51.0...
	CL16-57.0	25,40	57,0	8,90	64,0	65,5	14,00	26,7	3,0	Inside	19	141,0	156,5	6,37	PHC CL16-57.0...
	CL16-69.0	25,40	69,0	8,90	76,2	77,7	14,00	26,7	3,0	Inside	23	172,0	190,9	8,15	PHC CL16-69.0...
	CL16-81.0	25,40	81,0	8,90	88,2	89,7	14,00	26,7	3,0	Inside	27	203,0	225,3	9,57	PHC CL16-81.0...
	CL16-93.0	25,40	93,0	8,90	100,2	101,7	14,00	26,7	3,0	Inside	31	235,0	260,8	10,98	PHC CL16-93.0...
	CL20-57.0	31,75	57,0	10,84	66,6	69,6	17,50	33,4	3,0	Inside	19	165,0	183,1	8,42	PHC CL20-57.0...
	CL20-69.0	31,75	69,0	10,84	78,6	81,6	17,50	33,4	3,0	Inside	23	201,0	223,1	10,19	PHC CL20-69.0...
	CL20-81.0	31,75	81,0	10,84	90,6	93,6	17,50	33,4	3,0	Inside	27	237,0	263,2	11,96	PHC CL20-81.0...
CL20-93.0	31,75	93,0	10,84	102,6	105,6	17,50	33,4	3,0	Inside	31	273,0	303,0	13,73	PHC CL20-93.0...	
CL20-105.0	31,75	105,0	10,84	114,6	117,6	17,50	33,4	3,0	Inside	35	310,0	341,0	15,50	PHC CL20-105.0...	
CL20-117.0	31,75	117,0	10,84	126,6	129,6	17,50	33,4	3,0	Inside	39	346,0	380,6	17,27	PHC CL20-117.0...	
Crotch	C4-120	12,70	19,5	5,08	24,5	26,0	6,62	12,1	1,5	Inside	13	20,0	22,2	1,20	PHC C4-120...
	C4-123	12,70	22,5	5,08	27,5	29,0	6,62	12,1	1,5	Inside	15	23,0	25,5	1,37	PHC C4-123...
	C4-129	12,70	28,5	5,08	33,5	35,0	6,62	12,1	1,5	Inside	19	28,5	31,6	1,72	PHC C4-129...
	C4-132	12,70	31,5	5,08	35,5	38,0	6,62	12,1	1,5	Inside	21	31,5	34,9	1,89	PHC C4-132...
	C4-138	12,70	37,5	5,08	42,5	44,0	6,62	12,1	1,5	Inside	25	38,0	42,1	2,22	PHC C4-138...
	C4-150	12,70	49,5	5,08	54,5	56,0	6,62	12,1	1,5	Inside	33	50,0	55,5	2,90	PHC C4-150...
	C4-320	12,70	19,5	5,08	24,5	26,0	6,62	12,1	1,5	Outside	13	20,0	22,2	1,21	PHC C4-320...
	C4-323	12,70	22,5	5,08	27,5	29,0	6,62	12,1	1,5	Outside	15	23,0	25,5	1,38	PHC C4-323...
	C4-329	12,70	28,5	5,08	33,5	35,0	6,62	12,1	1,5	Outside	19	28,5	31,6	1,73	PHC C4-329...
	C4-332	12,70	31,5	5,08	36,5	38,0	6,62	12,1	1,5	Outside	21	31,5	34,9	1,90	PHC C4-332...
	C4-338	12,70	37,5	5,08	42,5	44,0	6,62	12,1	1,5	Outside	25	38,0	42,1	2,23	PHC C4-338...

Standard lengths are 10 ft. and 5 m. To complete designation, add chain length. For example, a 5m box of CL06-13.5 is PHC CL06-13.5X5MTR. One connecting link is contained per chain. For additional links, add "C/L" for "connecting" and "O/L" for "offset" to the designation.

Leaf chains

ANSI BL422-BL1646



ANSI Chain number	BS/ISO Chain number	Dimensions		Pin diameter d <sub>2</sub> Max.	Pin length L Max.	Plate height h <sub>2</sub> Max.	Plate thickness T Max.	Ultimate tensile strength Q Min.	Average tensile strength Q <sub>0</sub>	Mass per meter	Designation
		Pitch P	Plate lacing								
		mm	-	mm				kN		kg/m	-
BL422	LH0822	12,70	2 x 2	5,09	11,05	12,07	2,08	22,2	27,6	0,64	PHC BL422...
BL423	LH0823	12,70	2 x 3	5,09	13,16	12,07	2,08	22,2	27,6	0,80	PHC BL423...
BL434	LH0834	12,70	3 x 4	5,09	17,40	12,07	2,08	33,4	41,4	1,12	PHC BL434...
BL444	LH0844	12,70	4 x 4	5,09	19,51	12,07	2,08	44,5	56,0	1,28	PHC BL444...
BL446	LH0846	12,70	4 x 6	5,09	23,75	12,07	2,08	44,5	56,0	1,60	PHC BL446...
BL466	LH0866	12,70	6 x 6	5,09	27,99	12,07	2,08	66,7	81,7	1,92	PHC BL466...
BL488	LH0888	12,70	8 x 8	5,09	36,45	12,07	2,08	89,0	109,4	2,56	PHC BL488...
BL522	LH1022	15,88	2 x 2	5,96	12,90	15,09	2,44	33,4	43,1	0,88	PHC BL522...
BL523	LH1023	15,88	2 x 2	5,96	15,37	15,09	2,44	33,4	43,1	1,10	PHC BL523...
BL534	LH1034	15,88	3 x 4	5,96	20,32	15,09	2,44	48,9	65,6	1,50	PHC BL534...
BL544	LH1044	15,88	4 x 4	5,96	22,78	15,09	2,44	66,7	84,5	1,80	PHC BL544...
BL546	LH1046	15,88	4 x 6	5,96	27,74	15,09	2,44	66,7	84,5	2,20	PHC BL546...
BL566	LH1066	15,88	6 x 6	5,96	32,69	15,09	2,44	100,1	125,1	2,65	PHC BL566...
BL588	LH1088	15,88	8 x 8	5,96	42,57	15,09	2,44	133,4	169,5	3,50	PHC BL588...
BL622	LH1222	19,05	2 x 2	7,94	17,37	18,11	3,30	48,9	63,6	1,45	PHC BL622...
BL623	LH1223	19,05	2 x 3	7,94	20,73	18,11	3,30	48,9	63,6	1,80	PHC BL623...
BL634	LH1234	19,05	3 x 4	7,94	27,43	18,11	3,30	75,6	102,8	2,50	PHC BL634...
BL644	LH1244	19,05	4 x 4	7,94	30,78	18,11	3,30	97,9	120,9	2,90	PHC BL644...
BL646	LH1246	19,05	4 x 6	7,94	37,49	18,11	3,30	97,9	120,9	3,60	PHC BL646...
BL666	LH1266	19,05	6 x 6	7,94	44,20	18,11	3,30	146,8	190,8	4,30	PHC BL666...
BL688	LH1288	19,05	8 x 8	7,94	57,61	18,11	3,30	195,7	238,8	5,80	PHC BL688...
BL822	LH1622	25,40	2 x 2	9,54	21,34	24,13	4,09	84,5	108,2	2,20	PHC BL822...
BL823	LH1623	25,40	2 x 3	9,54	25,48	24,13	4,09	84,5	108,2	2,70	PHC BL823...
BL834	LH1634	25,40	3 x 4	9,54	33,76	24,13	4,09	129,0	170,0	3,80	PHC BL834...
BL844	LH1644	25,40	4 x 4	9,54	37,90	24,13	4,09	169,0	214,6	4,30	PHC BL844...
BL846	LH1646	25,40	4 x 6	9,54	46,18	24,13	4,09	169,0	214,6	5,40	PHC BL846...
BL866	LH1666	25,40	6 x 6	9,54	54,46	24,13	4,09	253,6	324,5	6,50	PHC BL866...
BL888	LH1688	25,40	8 x 8	9,54	71,02	24,13	4,09	338,1	432,7	8,60	PHC BL888...
BL1022	LH2022	31,75	2 x 2	11,11	25,37	30,18	4,90	115,6	150,8	3,40	PHC BL1022...
BL1023	LH2023	31,75	2 x 3	11,11	30,33	30,18	4,90	115,6	150,8	4,30	PHC BL1023...
BL1034	LH2034	31,75	3 x 4	11,11	40,23	30,18	4,90	182,4	231,6	6,00	PHC BL1034...
BL1044	LH2044	31,75	4 x 4	11,11	45,19	30,18	4,90	231,3	291,4	6,90	PHC BL1044...
BL1046	LH2046	31,75	4 x 6	11,11	55,09	30,18	4,90	231,3	291,4	8,60	PHC BL1046...
BL1066	LH2066	31,75	6 x 6	11,11	65,00	30,18	4,90	347,0	430,3	10,30	PHC BL1066...
BL1088	LH2088	31,75	8 x 8	11,11	84,81	30,18	4,90	462,6	555,1	13,80	PHC BL1088...
BL1222	LH2422	38,10	2 x 2	12,71	29,62	36,20	5,77	151,2	192,0	4,60	PHC BL1222...
BL1223	LH2423	38,10	2 x 3	12,71	35,43	36,20	5,77	151,2	192,0	5,80	PHC BL1223...
BL1234	LH2434	38,10	3 x 4	12,71	47,07	36,20	5,77	244,6	315,9	8,10	PHC BL1234...
BL1244	LH2444	38,10	4 x 4	12,71	52,88	36,20	5,77	302,5	381,1	9,30	PHC BL1244...
BL1246	LH2446	38,10	4 x 6	12,71	64,52	36,20	5,77	302,5	381,1	11,60	PHC BL1246...
BL1266	LH2466	38,10	6 x 6	12,71	76,15	36,20	5,77	453,7	543,6	13,90	PHC BL1266...
BL1288	LH2488	38,10	8 x 8	12,71	99,42	36,20	5,77	605,0	726,0	18,60	PHC BL1288...
BL1422	LH2822	44,45	2 x 2	14,29	33,55	42,24	6,55	191,3	225,7	6,10	PHC BL1422...
BL1423	LH2823	44,45	2 x 3	14,29	40,16	42,24	6,55	191,3	225,7	7,60	PHC BL1423...
BL1434	LH2834	44,45	3 x 4	14,29	53,37	42,24	6,55	315,8	372,6	10,60	PHC BL1434...
BL1444	LH2844	44,45	4 x 4	14,29	59,97	42,24	6,55	382,6	451,2	12,20	PHC BL1444...
BL1446	LH2846	44,45	4 x 6	14,29	73,18	42,24	6,55	382,6	451,2	15,20	PHC BL1446...
BL1466	LH2866	44,45	6 x 6	14,29	86,39	42,24	6,55	578,3	682,4	18,20	PHC BL1466...
BL1488	LH2888	44,45	8 x 8	14,29	112,80	42,24	6,55	765,1	902,8	24,30	PHC BL1488...
BL1622	LH3222	50,80	2 x 2	17,46	39,01	48,26	7,52	289,1	341,1	8,00	PHC BL1622...
BL1623	LH3223	50,80	2 x 3	17,46	46,58	48,26	7,52	289,1	341,1	10,00	PHC BL1623...
BL1634	LH3234	50,80	3 x 4	17,46	61,72	48,26	7,52	440,4	519,6	14,00	PHC BL1634...
BL1644	LH3244	50,80	4 x 4	17,46	69,29	48,26	7,52	573,8	680,4	16,00	PHC BL1644...
BL1646	LH3246	50,80	4 x 6	17,46	84,43	48,26	7,52	573,8	680,4	20,00	PHC BL1646...

Standard lengths are 10 ft. and 5 m. To complete designation, add chain length. For example, a 5m box of BL422 is PHC BL422X5MTR. One connecting link is contained per chain. For additional links, add "C/L" for "connecting" and "O/L" for "offset" to the designation.

## Leaf chains

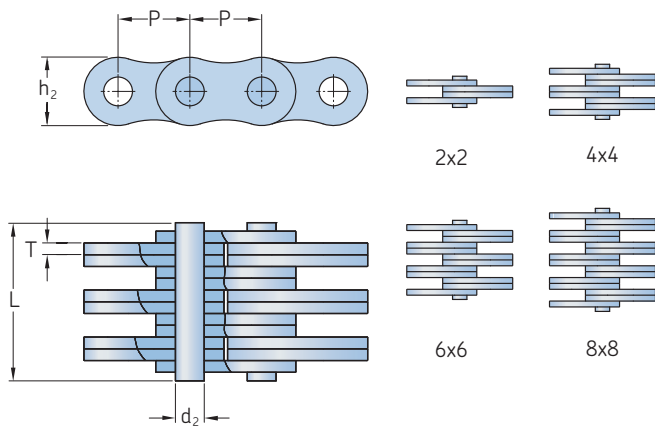
ANSI BL1666-BL2088 | ANSI AL322-AL1688

ANSI Chain number	BS/ISO Chain number	Dimensions		Pin diameter d <sub>2</sub> Max.	Pin length L Max.	Plate height h <sub>2</sub> Max.	Plate thickness T Max.	Ultimate tensile strength Q Min.	Average tensile strength Q <sub>0</sub>	Mass per meter	Designation
		Pitch P	Plate lacing								
–	–	mm	–	mm	–	–	–	kN	–	kg/m	–
BL1666	LH3266	50,80	6 x 6	17,46	99,57	48,26	7,52	857,4	1 000,7	24,00	PHC BL1666...
BL1688	LH3288	50,80	8 x 8	17,46	129,84	48,26	7,52	1 156,5	1 364,6	32,00	PHC BL1688...
BL2022	LH4022	63,50	2 x 2	23,81	51,74	60,33	9,91	433,7	511,7	15,80	PHC BL2022...
BL2023	LH4023	63,50	2 x 3	23,81	61,70	60,33	9,91	433,7	511,7	19,80	PHC BL2023...
BL2034	LH4034	63,50	3 x 4	23,81	81,61	60,33	9,91	649,4	766,2	27,70	PHC BL2034...
BL2044	LH4044	63,50	4 x 4	23,81	91,57	60,33	9,91	867,4	1 023,5	31,60	PHC BL2044...
BL2046	LH4046	63,50	4 x 6	23,81	111,48	60,33	9,91	867,4	1 023,5	39,50	PHC BL2046...
BL2066	LH4066	63,50	6 x 6	23,81	131,39	60,33	9,91	1 301,1	1 535,2	47,40	PHC BL2066...
BL2088	LH4088	63,50	8 x 8	23,81	171,22	60,33	9,91	1 734,8	2 046,5	63,20	PHC BL2088...
AL322	–	9,53	2 x 2	3,58	6,80	7,70	1,30	9,0	10,2	0,23	PHC AL322...
AL344	–	9,53	4 x 4	3,58	11,60	7,70	1,30	18,0	20,0	0,46	PHC AL344...
AL422	–	12,70	2 x 2	3,96	8,30	10,40	1,50	14,1	16,9	0,39	PHC AL422...
AL444	–	12,70	4 x 4	3,96	14,40	10,40	1,50	28,2	35,2	0,74	PHC AL444...
AL466	–	12,70	6 x 6	3,96	20,50	10,40	1,50	42,3	52,7	1,13	PHC AL466...
AL522	–	15,88	2 x 2	5,08	11,05	12,80	2,03	22,0	27,5	0,64	PHC AL522...
AL534	–	15,88	3 x 4	5,08	17,00	12,80	2,03	33,0	46,0	1,10	PHC AL534...
AL544	–	15,88	4 x 4	5,08	19,40	12,80	2,03	44,0	55,0	1,25	PHC AL544...
AL566	–	15,88	6 x 6	5,08	27,50	12,80	2,03	66,0	82,5	1,79	PHC AL566...
AL622	–	19,05	2 x 2	5,94	13,00	15,60	2,42	37,0	44,4	0,86	PHC AL622...
AL644	–	19,05	4 x 4	5,94	22,70	15,60	2,42	63,7	78,8	1,76	PHC AL644...
AL666	–	19,05	6 x 6	5,94	32,20	15,60	2,42	100,1	118,6	2,60	PHC AL666...
AL688	–	19,05	8 x 8	5,94	42,20	15,60	2,42	133,4	156,6	3,49	PHC AL688...
AL822	–	25,40	2 x 2	7,92	16,00	20,50	3,25	56,7	68,6	1,54	PHC AL822...
AL844	–	25,40	4 x 4	7,92	29,40	20,50	3,25	113,4	135,6	3,00	PHC AL844...
AL866	–	25,40	6 x 6	7,92	44,20	20,50	3,25	170,0	202,3	4,46	PHC AL866...
AL1022	–	31,75	2 x 2	9,53	19,60	25,60	4,00	88,5	107,1	2,37	PHC AL1022...
AL1044	–	31,75	4 x 4	9,53	36,40	25,60	4,00	177,0	203,6	4,68	PHC AL1044...
AL1066	–	31,75	6 x 6	9,53	52,30	25,60	4,00	265,0	315,3	7,20	PHC AL1066...
AL1088	–	31,75	8 x 8	9,53	68,50	25,60	4,00	354,0	421,2	9,94	PHC AL1088...
AL1222	–	38,10	2 x 2	11,10	24,30	30,50	4,80	127,0	151,1	3,65	PHC AL1222...
AL1244	–	38,10	4 x 4	11,10	43,80	30,50	4,80	254,0	299,7	7,05	PHC AL1244...
AL1266	–	38,10	6 x 6	11,10	63,20	30,50	4,80	381,0	426,3	10,50	PHC AL1266...
AL1288	–	38,10	8 x 8	11,10	82,60	30,50	4,80	508,0	568,4	14,03	PHC AL1288...
AL1444	–	44,45	4 x 4	12,64	51,30	36,40	5,60	372,7	413,6	10,34	PHC AL1444...
AL1466	–	44,45	6 x 6	12,64	74,56	36,40	5,60	559,0	620,4	15,16	PHC AL1466...
AL1644	–	50,80	4 x 4	14,21	58,00	41,60	6,40	471,0	522,8	12,98	PHC AL1644...
AL1666	–	50,80	6 x 6	14,21	83,80	41,60	6,40	706,0	783,6	19,76	PHC AL1666...
AL1688	–	50,80	8 x 8	14,21	109,50	41,60	6,40	942,0	1 045,5	25,47	PHC AL1688...

Standard lengths are 10 ft. and 5 m. To complete designation, add chain length. For example, a 5m box of BL422 is PHC BL422X5MTR. One connecting link is contained per chain. For additional links, add "C/L" for "connecting" and "O/L" for "offset" to the designation.

# Leaf chains

BS/ISO LL0822-LL4888



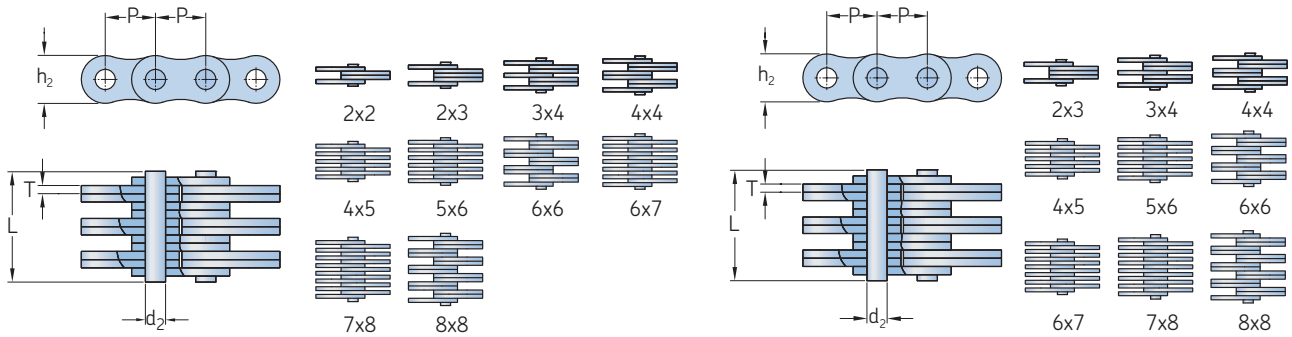
BS/ISO Chain number	Dimensions		Pin diameter $d_2$ Max.	Pin length L Max.	Plate height $h_2$ Max.	Plate thickness T Max.	Ultimate tensile strength Q Min.	Average tensile strength $Q_0$	Mass per meter	Designation
	Pitch	Plate lacing								
-	mm	-	mm				kN		kg/m	-
LL0822	12,70	2 x 2	4,45	8,9	10,60	1,60	18,2	20,4	0,42	PHC LL0822...
LL0844	12,70	4 x 4	4,45	15,6	10,60	1,60	36,4	40,7	0,84	PHC LL0844...
LL0866	12,70	6 x 6	4,45	22,0	10,60	1,60	54,6	60,0	1,24	PHC LL0866...
LL0888	12,70	8 x 8	4,45	28,5	10,60	1,60	72,8	80,0	1,64	PHC LL0888...
LL1022	15,88	2 x 2	5,08	9,2	13,70	1,60	22,7	25,5	0,54	PHC LL1022...
LL1044	15,88	4 x 4	5,08	15,8	13,70	1,60	45,4	51,0	1,06	PHC LL1044...
LL1066	15,88	6 x 6	5,08	22,1	13,70	1,60	68,1	76,3	1,57	PHC LL1066...
LL1088	15,88	8 x 8	5,08	28,8	13,70	1,60	90,8	101,9	2,10	PHC LL1088...
LL1222	19,05	2 x 2	5,72	10,4	16,00	1,85	29,5	33,2	0,73	PHC LL1222...
LL1244	19,05	4 x 4	5,72	17,9	16,00	1,85	59,0	66,4	1,44	PHC LL1244...
LL1266	19,05	6 x 6	5,72	25,4	16,00	1,85	88,5	99,7	2,15	PHC LL1266...
LL1288	19,05	8 x 8	5,72	32,9	16,00	1,85	118,0	132,9	2,84	PHC LL1288...
LL1622	25,40	2 x 2	8,28	17,2	21,00	3,10	58,0	66,7	1,52	PHC LL1622...
LL1644	25,40	4 x 4	8,28	29,6	21,00	3,10	116,0	140,0	2,90	PHC LL1644...
LL1666	25,40	6 x 6	8,28	42,4	21,00	3,10	174,0	208,8	4,30	PHC LL1666...
LL1688	25,40	8 x 8	8,28	54,9	21,00	3,10	232,0	278,0	5,71	PHC LL1688...
LL2022	31,75	2 x 2	10,19	20,1	26,40	3,50	95,0	109,2	2,33	PHC LL2022...
LL2044	31,75	4 x 4	10,19	33,8	26,40	3,50	190,0	218,5	4,40	PHC LL2044...
LL2066	31,75	6 x 6	10,19	50,1	26,40	3,50	285,0	324,6	6,79	PHC LL2066...
LL2088	31,75	8 x 8	10,19	64,0	26,40	3,50	380,0	435,1	8,90	PHC LL2088...
LL2422	38,10	2 x 2	14,63	28,4	33,40	5,00	170,0	195,5	4,47	PHC LL2422...
LL2444	38,10	4 x 4	14,63	46,3	33,40	5,00	340,0	380,8	8,22	PHC LL2444...
LL2466	38,10	6 x 6	14,63	66,4	33,40	5,00	510,0	571,2	12,22	PHC LL2466...
LL2488	38,10	8 x 8	14,63	86,6	33,40	5,00	680,0	775,2	16,30	PHC LL2488...
LL2822	44,45	2 x 2	15,90	32,2	37,08	6,00	200,0	224,0	5,10	PHC LL2822...
LL2844	44,45	4 x 4	15,90	56,4	37,08	6,00	400,0	448,0	9,90	PHC LL2844...
LL2866	44,45	6 x 6	15,90	80,8	37,08	6,00	600,0	672,0	14,60	PHC LL2866...
LL2888	44,45	8 x 8	15,90	105,2	37,08	6,00	800,0	896,0	19,40	PHC LL2888...
LL3222	50,80	2 x 2	17,81	34,8	42,00	6,40	260,0	291,2	6,20	PHC LL3222...
LL3244	50,80	4 x 4	17,81	60,6	42,00	6,40	520,0	582,4	12,30	PHC LL3244...
LL3266	50,80	6 x 6	17,81	86,4	42,00	6,40	780,0	873,6	18,30	PHC LL3266...
LL3288	50,80	8 x 8	17,81	112,2	42,00	6,40	1 040,0	1 176,0	24,00	PHC LL3288...
LL4022	63,50	2 x 2	22,89	42,2	52,76	8,00	360,0	403,2	10,30	PHC LL4022...
LL4044	63,50	4 x 4	22,89	74,4	52,76	8,00	780,0	873,6	20,00	PHC LL4044...
LL4066	63,50	6 x 6	22,89	106,5	52,76	8,00	1 080,0	1 209,6	30,00	PHC LL4066...
LL4088	63,50	8 x 8	22,89	140,0	52,76	8,00	1 440,0	1 747,2	39,10	PHC LL4088...
LL4822	76,20	2 x 2	29,24	54,6	63,88	10,00	560,0	627,2	18,50	PHC LL4822...
LL4844	76,20	4 x 4	29,24	92,6	63,88	10,00	1 120,0	1 554,4	35,70	PHC LL4844...
LL4866	76,20	6 x 6	29,24	133,4	63,88	10,00	1 680,0	2 180,0	53,00	PHC LL4866...
LL4888	76,20	8 x 8	29,24	174,2	63,88	10,00	2 240,0	2 508,8	70,40	PHC LL4888...

Standard lengths are 10 ft. and 5 m. To complete designation, add chain length. For example, a 5m box of LL0822 is PHC LL0822X5MTR. One connecting link is contained per chain. For additional links, add "C/L" for "connecting" and "O/L" for "offset" to the designation.



## Leaf chains

FL, F19V, FLC | 12XX, 15XX, 19XX, 25XX



Chain number	Dimensions		Pin diameter $d_2$ Max.	Pin length L Max.	Plate height $h_2$ Max.	Plate thickness T Max.	Chain length over 100 pitches +/- 0,25%	Ultimate tensile strength Q Min.	Average tensile strength $Q_0$	Mass per meter	Designation
	Pitch P	Plate lacing									
-	mm	-	mm	-	-	-	-	kN	-	kg/m	-
<b>FL644</b>	5,94	4 x 4	1,85	6,6	4,7	0,60	-	6,50	7,8	0,13	PHC FL644...
<b>FL666</b>	5,94	6 x 6	1,85	9,3	4,7	0,60	-	9,75	11,8	0,20	PHC FL666...
<b>FL688</b>	5,94	8 x 8	1,85	12,0	4,7	0,60	-	13,00	15,6	0,25	PHC FL688...
<b>FL844</b>	8,00	4 x 4	2,31	7,9	6,9	0,73	-	10,00	12,1	0,25	PHC FL844...
<b>FL944</b>	9,53	4 x 4	3,28	10,4	8,7	1,04	-	21,00	24,7	0,43	PHC FL944...
<b>FL966</b>	9,53	6 x 6	3,28	14,9	8,7	1,00	-	31,00	36,8	0,65	PHC FL966...
<b>F122</b>	12,70	2 x 2	3,58	7,0	8,2	1,00	-	11,43	13,6	0,19	PHC F122...
<b>F1223</b>	12,70	2 x 3	4,45	12,8	10,2	2,03	-	20,00	23,8	0,61	PHC F1223...
<b>FL1244</b>	12,70	4 x 4	4,45	16,7	10,2	1,70	-	44,00	52,3	0,83	PHC FL1244...
<b>F19V-44</b>	19,05	4 x 4	6,50	22,4	15,2	2,42	-	71,00	84,3	1,73	PHC F19V-44...
<b>F19V-66</b>	19,05	6 x 6	6,50	32,3	15,2	2,42	-	106,00	125,9	2,57	PHC F19V-66...
<b>FLC534</b>	15,88	3 x 4	5,08	15,3	12,7	1,85	-	40,40	44,4	0,99	PHC FLC534...
<b>FLC545</b>	15,88	4 x 5	5,08	19,2	12,7	1,85	-	54,30	59,7	1,27	PHC FLC545...
<b>FLC556</b>	15,88	5 x 6	5,08	22,7	12,7	1,85	-	67,60	74,3	1,54	PHC FLC556...
<b>FLC1056</b>	31,75	5 x 6	9,53	40,6	25,4	3,25	-	137,90	151,0	5,44	PHC FLC1056...
<b>FLC1067</b>	31,75	6 x 7	9,53	47,2	25,4	3,25	-	165,40	181,9	6,42	PHC FLC1067...
<b>FLC1078</b>	31,75	7 x 8	9,53	53,8	25,4	3,25	-	193,00	212,0	7,40	PHC FLC1078...
<b>1234</b>	12,70	3 x 4	4,45	14,2	10,6	1,70	1 262	31,00	-	0,75	PHC 1234...
<b>1256</b>	12,70	5 x 6	4,45	21,1	10,6	1,70	1 262	53,00	-	1,17	PHC 1256...
<b>1288</b>	12,70	8 x 8	4,45	29,9	10,6	1,70	1 262	85,00	-	1,70	PHC 1288...
<b>1523</b>	15,88	2 x 3	5,08	12,1	12,7	1,94	1 580	29,00	-	0,75	PHC 1523...
<b>1534</b>	15,88	3 x 4	5,08	16,0	12,7	1,94	1 580	46,00	-	1,04	PHC 1534...
<b>1544</b>	15,88	4 x 4	5,08	18,1	12,7	1,94	1 580	58,00	-	1,18	PHC 1544...
<b>1545</b>	15,88	4 x 6	5,08	20,3	12,7	1,94	1 580	58,00	-	1,33	PHC 1545...
<b>1556</b>	15,88	5 x 6	5,08	24,0	12,7	1,94	1 580	72,00	-	1,63	PHC 1556...
<b>1566</b>	15,88	6 x 6	5,08	26,2	12,7	1,94	1 580	87,00	-	1,77	PHC 1566...
<b>1567</b>	15,88	6 x 7	5,08	28,0	12,7	1,94	1 580	90,00	-	1,91	PHC 1567...
<b>1578</b>	15,88	7 x 8	5,08	32,5	12,7	1,94	1 580	101,00	-	2,20	PHC 1578...
<b>1588</b>	15,88	8 x 8	5,08	34,0	12,7	1,94	1 580	115,00	-	2,34	PHC 1588...
<b>1944</b>	19,05	4 x 4	5,72	21,3	15,0	2,29	1 891	73,00	-	1,58	PHC 1944...
<b>1966</b>	19,05	6 x 6	5,72	30,7	15,0	2,29	1 891	110,00	-	2,37	PHC 1966...
<b>1988</b>	19,05	8 x 8	5,72	40,0	15,0	2,29	1 891	140,00	-	3,13	PHC 1988...
<b>2523</b>	25,40	2 x 3	8,28	18,8	20,2	3,06	2 532	72,00	-	1,83	PHC 2523...
<b>2534</b>	25,40	3 x 4	8,28	25,3	20,2	3,06	2 532	108,00	-	2,55	PHC 2534...
<b>2545</b>	25,40	4 x 5	8,28	31,6	20,2	3,06	2 532	144,00	-	3,26	PHC 2545...
<b>2556</b>	25,40	5 x 6	8,28	37,2	20,2	3,06	2 532	180,00	-	3,96	PHC 2556...
<b>2567</b>	25,40	6 x 7	8,28	43,8	20,2	3,06	2 532	216,00	-	4,68	PHC 2567...
<b>2578</b>	25,40	7 x 8	8,28	50,0	20,2	3,06	2 532	252,00	-	5,39	PHC 2578...
<b>2588</b>	25,40	8 x 8	8,28	52,8	20,2	3,06	2 532	290,00	-	5,77	PHC 2588...

Standard lengths are 10 ft. and 5 m. To complete designation, add chain length. For example, a 5m box of FL644 is PHC FL644X5MTR. One connecting link is contained per chain. For additional links, add "C/L" for "connecting" and "O/L" for "offset" to the designation.



# Couplings



Grid couplings ..... 106



Gear couplings ..... 111



Disc couplings ..... 121



SKF Flex couplings ..... 131



SKF Flex spacer coupling ..... 133



Chain couplings ..... 135



Rigid couplings ..... 137



FRC couplings ..... 139



Jaw couplings ..... 141



Universal joints ..... 143



## SKF Couplings

SKF coupling range nomenclature has a defined prefix of PHE. The coupling range is covered by limited standards, AGMA is the main standard to cover interchangeability for couplings, and spacers are covered by ANSI or ISO for lengths.

### Couplings

The coupling range designation from SKF has the following is an example to indicate set up.

#### SKF Designation prefix

PHE F90 HTB FLG

#### Coupling size and type

Example:

F90 - Flex coupling size 90

1070TG – taper grid coupling size 1070

#### Supplementary

Many different supplementary designations, examples

HTB- taper bushing type H

NR – insert type Nitrile

HCOVER – cover type H, horizontal

#### Note

See SKF product training for full supplementary notations

#### Supplementary

Many different supplementary designations, example

FLG – flange hub only for Flex coupling

## Couplings (PHE Product Group)

SKF Flex-, Chain-, FRC-, Jaw couplings and Universal joints are manufactured according to established market standards and are fully interchangeable with other brands:

- Metric bore keyway machined according to BS 4231:Part 1 and DIN 6885;
- British imperial bore keyway machined according to BS 46:Part 1; and
- American imperial bore keyway machined according to ASME B17.1.

SKF Grid, Gear and Rigid couplings are manufactured according to established industrial standard, which is acceptable throughout the world.

SKF Gear couplings are interchangeable, half to half, to industries standard using AGMA bolt pattern.

Every coupling is protected by a specific treatment, which depends on the material or type of packaging: (1) phosphate coating, (2) blackening, (3) spray painting or (4) anti-corrosion oil.

#### Main materials used in couplings

SKF Flex coupling	Flange in grey cast iron HT250; tyre available in nitrile or chloroprene (FRAS); rubber and spacer in grey cast Iron HT250.
Chain coupling	Flange in premium carbon steel no. 45 and cover available in aluminium and plastic.
FRC coupling	Flange in grey cast iron HT250 and elements available in nitrile or chloroprene (FRAS) rubber.
Jaw coupling	Flange in grey cast iron HT250; spacer in aluminium and insert available in nitrile, urethane and Hytrel®.
Gear coupling	Hub in steel SM45C equivalent to AISI 1045; grid member in spring steel SW-C; horizontal split cover in aluminium.
Gear coupling	Sleeve and hub in steel SM45C equivalent to AISI 1045.
Rigid coupling	All components manufactured in grey cast iron HT250.
Universal Joint	Premium carbon steel.

## Grid couplings

In high output (kW) and high torque applications where vibration, shock loads and misalignment occur, SKF grid couplings are an excellent choice.

The unique design of the grid and hub teeth enable these couplings to accommodate movement and stresses from all three planes, thereby reducing vibration levels by as much as 30%.

The tapered grid element is manufactured from a high strength alloy steel. The grid, which is the primary wear component of the coupling, is designed for quick and easy replacement. Unlike other couplings, the hubs and other components are not disturbed. This makes realignment unnecessary and further reduces downtime and maintenance costs.

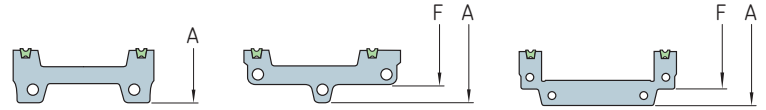
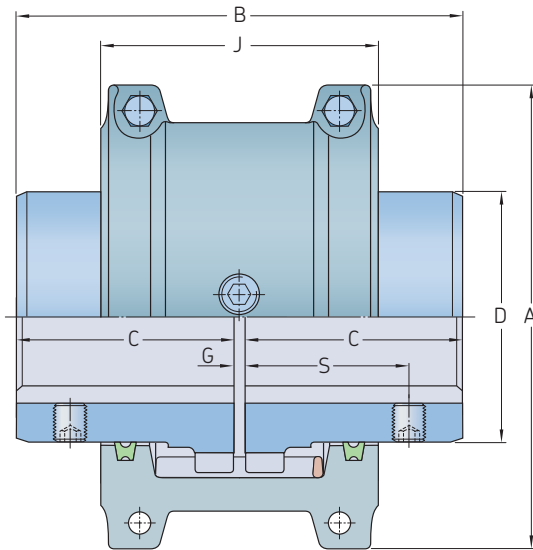
### Order data

Coupling type	Hubs		Cover		Grid		Spacer hub set				
	Solid bore	Qty	Bored to size	Qty	Qty	Qty	(... = DBSE dimension)	Qty			
<b>Horizontal split cover</b>	PHE 1050TGRSB	2	or	PHE 1050TG...MM	2	PHE 1050TGHCOVER	1	PHE 1050TGGRID	1	–	–
<b>Vertical split cover</b>	PHE 1050TGRSB	2	or	PHE 1050TG...MM	2	PHE 1050TGVCOVER	1	PHE 1050TGGRID	1	–	–
<b>Full spacer</b>	PHE 1050TGS-SHRB	2	or	PHE 1050TGS-SH...MM	2	PHE 1050TGHCOVER	1	PHE 1050TGGRID	1	PHE 1050TGFS-SPACERX...MM	1
<b>Half spacer</b>	PHE 1050TGRSB	1	–	–	–	PHE 1050TGHCOVER	1	PHE 1050TGGRID	1	PHE 1050TGHS-SPACERX...MM	1
	PHE 1050TGS-SHRB	1	or	PHE 1050TGS-SH...MM	1	–	–	–	–	–	–

Each complete full or half spacer coupling consists of: 2 hubs, 1 grid, 1 cover and 1 spacer hub set. Each complete horizontal or vertical split cover coupling consists of: 2 hubs, 1 grid and 1 cover. For bored to size designations, add bore size. For example, PHE 1050TG25MM

## Grid couplings

### Horizontal split cover



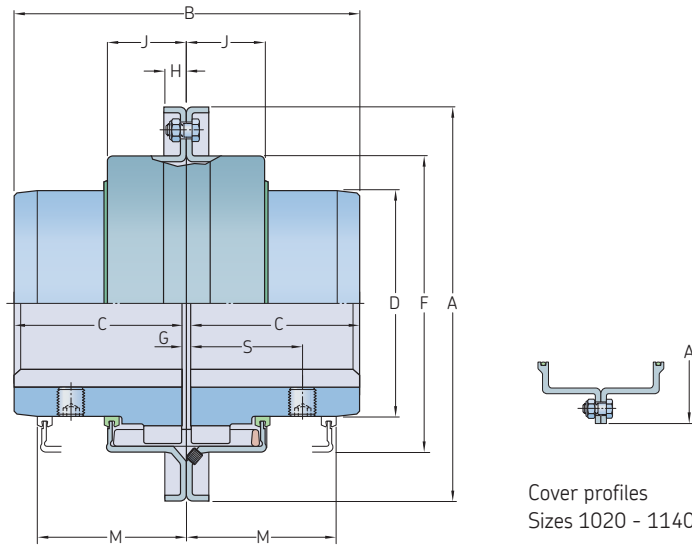
Cover profiles  
Sizes 1020 - 1140

Sizes 1150 - 1200

Sizes 1210-1220

Size	Power per 100 r/min	Rated torque	Speed	Bore diameter		Dimensions						Gap			Lubricant mass	Coupling mass without bore	
				Min.	Max.	A	B	C	D	J	F	S	G Min.	Normal			Max.
–	kW	Nm	r/min	mm	mm	mm	mm	mm	mm	mm	mm	mm	mm	mm	mm	kg	kg
1020 TGH	0,54	52	4 500	12	30	101,6	98,2	47,5	39,7	66,0	–	39,1	1,5	3	4,5	0,027	1,9
1030 TGH	1,60	149	4 500	12	36	110,0	98,2	47,5	49,2	68,3	–	39,1	1,5	3	4,5	0,040	2,6
1040 TGH	2,60	249	4 500	12	44	117,5	104,6	50,8	57,2	70,0	–	40,1	1,5	3	4,5	0,054	3,4
1050 TGH	4,60	435	4 500	12	50	138,0	123,6	60,3	66,7	79,5	–	44,7	1,5	3	4,5	0,068	5,4
1060 TGH	7,20	684	4 500	19	57	150,5	130,0	63,5	76,2	92,0	–	52,3	1,5	3	4,5	0,086	7,3
1070 TGH	10,40	994	4 125	19	65	161,9	155,4	76,2	87,3	95,0	–	53,8	1,5	3	4,5	0,113	10,0
1080 TGH	21,50	2 050	3 600	27	79	194,0	180,8	88,9	104,8	116,0	–	64,5	1,5	3	6,0	0,172	18,0
1090 TGH	39,00	3 730	3 600	27	95	213,0	199,8	98,4	123,8	122,0	–	71,6	1,5	3	6,0	0,254	25,0
1100 TGH	65,70	6 280	2 440	41	107	250,0	246,2	120,6	142,1	155,5	–	–	1,5	5	9,5	0,426	42,0
1110 TGH	97,60	9 320	2 250	41	117	270,0	259,0	127,0	160,3	161,5	–	–	1,5	5	9,5	0,508	54,0
1120 TGH	143,00	13 700	2 025	60	136	308,0	304,4	149,2	179,4	191,5	–	–	1,5	6	12,5	0,735	81,0
1130 TGH	208,00	19 900	1 800	66	165	346,0	329,8	161,9	217,5	195,0	–	–	1,5	6	12,5	0,907	121,0
1140 TGH	299,00	28 600	1 650	66	184	384,0	374,4	184,2	254,0	201,0	–	–	1,5	6	12,5	1,130	178,0
1150 TGH	416,00	39 800	1 500	108	203	453,1	371,8	182,9	269,2	271,3	391,2	–	1,5	6	12,5	1,950	234,0
1160 TGH	586,00	55 900	1 350	120	228	501,4	402,2	198,1	304,8	278,9	436,9	–	1,5	6	12,5	2,810	317,0
1170 TGH	781,00	74 600	1 225	133	279	566,4	437,8	215,9	355,6	304,3	487,2	–	1,5	6	12,5	3,490	448,0
1180 TGH	1 080,00	103 000	1 100	152	311	629,9	483,6	238,8	393,7	321,1	554,7	–	1,5	6	12,5	3,760	619,0
1190 TGH	1 430,00	137 000	1 050	152	339	675,6	524,2	259,1	436,9	325,1	607,8	–	1,5	6	12,5	4,400	776,0
1200 TGH	1 950,00	186 000	900	177	361	756,9	564,8	279,4	497,8	355,6	660,4	–	1,5	6	12,5	5,620	1 057,0
1210 TGH	2 611,00	249 000	820	177	390	844,5	622,3	304,8	533,4	431,8	750,8	–	1,5	6	12,7	10,500	1 425,0
1220 TGH	3 523,00	336 000	730	203	420	920,7	662,9	325,1	571,5	490,2	822,2	–	1,5	6	12,7	16,100	1 785,0

**Grid couplings**  
Vertical split cover



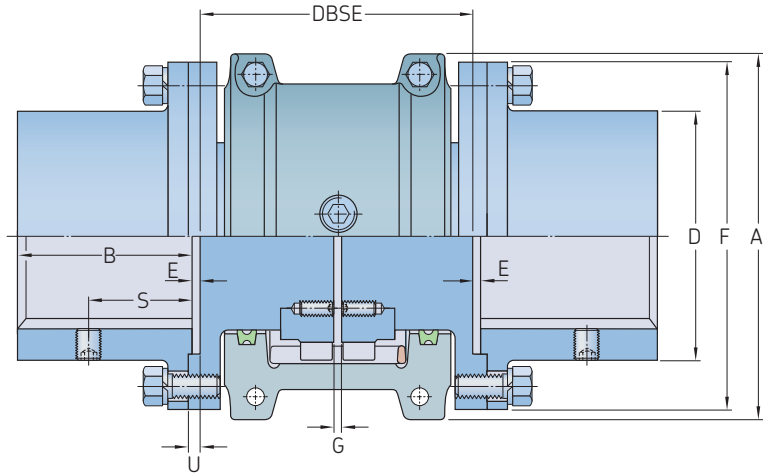
Cover profiles  
Sizes 1020 - 1140

Size	Power per 100 r/min	Rated torque	Speed	Bore diameter		Dimensions										Gap			Lubricant weight	Coupling weight without bore
				Max.	Min.	A	B	C	D	F	H	J	M	S	G Min.	Normal	Max.			
–	kW	Nm	r/min	mm		mm										mm			kg	
<b>1020 TGV</b>	0,54	52	6 000	12	30	111,1	98,0	47,5	39,7	64,3	9,7	24,2	47,8	39,1	1,5	3	4,5	0,027	2,0	
<b>1030 TGV</b>	1,60	149	6 000	12	36	120,7	98,0	47,5	49,2	73,8	9,7	25,0	47,8	39,1	1,5	3	4,5	0,040	2,6	
<b>1040 TGV</b>	2,60	249	6 000	12	44	128,5	104,6	50,8	57,2	81,8	9,7	25,7	50,8	40,1	1,5	3	4,5	0,054	3,4	
<b>1050 TGV</b>	4,60	435	6 000	12	50	147,6	123,6	60,3	66,7	97,6	11,9	31,2	60,5	44,7	1,5	3	4,5	0,068	5,4	
<b>1060 TGV</b>	7,20	684	6 000	19	57	162,0	130,0	63,5	76,2	111,1	12,7	32,2	63,5	52,3	1,5	3	4,5	0,086	7,3	
<b>1070 TGV</b>	10,40	994	5 500	19	65	173,0	155,4	76,2	87,3	122,3	12,7	33,7	66,5	53,8	1,5	3	4,5	0,113	10,0	
<b>1080 TGV</b>	21,50	2 050	4 750	27	79	200,0	180,8	88,9	104,8	149,2	12,7	44,2	88,9	64,5	1,5	3	6,0	0,172	18,0	
<b>1090 TGV</b>	39,00	3 730	4 000	27	95	231,8	199,8	98,4	123,8	168,3	12,7	47,7	95,2	71,6	1,5	3	6,0	0,254	25,0	
<b>1100 TGV</b>	65,70	6 280	3 250	41	107	266,7	245,7	120,6	142,1	198,0	15,7	60,0	120,7	–	1,5	5	9,5	0,426	42,0	
<b>1110 TGV</b>	97,60	9 320	3 000	41	117	285,8	258,5	127,0	160,3	216,3	16,0	64,2	124,0	–	1,5	5	9,5	0,508	54,0	
<b>1120 TGV</b>	143,00	13 700	2 700	60	136	319,0	304,4	149,2	179,4	245,5	17,5	73,4	142,7	–	1,5	6	12,5	0,735	81,0	
<b>1130 TGV</b>	208,00	19 900	2 400	66	165	377,8	329,8	161,9	217,5	283,8	20,6	75,1	146,0	–	1,5	6	12,5	0,907	122,0	
<b>1140 TGV</b>	299,00	28 600	2 200	66	184	416,0	371,6	184,2	254,0	321,9	20,6	78,2	155,4	–	1,5	6	12,5	1,130	180,0	
<b>1150 TGV</b>	416,00	39 800	2 000	108	203	476,3	371,8	182,9	269,2	374,4	19,3	106,9	203,2	–	1,5	6	12,5	1,950	230,0	
<b>1160 TGV</b>	586,00	55 900	1 750	120	228	533,4	402,2	198,1	304,8	423,9	30,0	114,3	215,9	–	1,5	6	12,5	2,810	321,0	
<b>1170 TGV</b>	781,00	74 600	1 600	133	279	584,2	437,8	215,9	355,6	474,7	30,0	119,4	226,1	–	1,5	6	12,5	3,490	448,0	
<b>1180 TGV</b>	1 080,00	103 000	1 400	152	311	630,0	483,6	238,8	393,7	–	–	130,0	265,0	–	1,5	6	12,5	3,760	591,0	
<b>1190 TGV</b>	1 430,00	137 000	1 300	152	339	685,0	524,2	259,1	436,9	–	–	135,0	275,0	–	1,5	6	12,5	4,400	761,0	
<b>1200 TGV</b>	1 950,00	186 000	1 100	177	361	737,0	564,8	279,4	497,8	–	–	145,0	295,0	–	1,5	6	12,5	5,620	1 021,0	



# Grid couplings

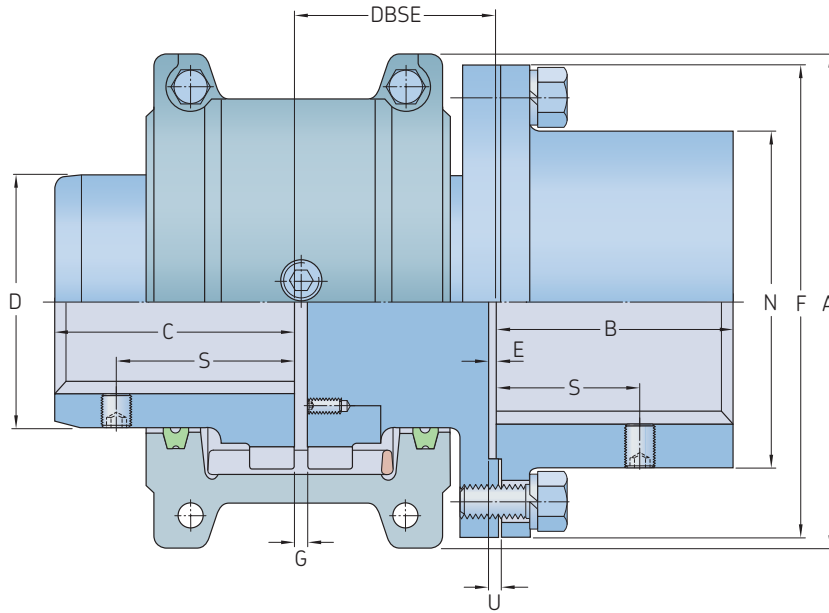
## Full spacer



Size	Power per 100 r/min kW	Rated torque Nm	Speed r/min	Bore diameter mm		Dimensions mm										Gap mm		Flange bolts Normal Qty	Lubricant weight kg	Coupling weight without bore and min. BE
				Max.	Min.	A	B	DBSE Min.	Max.	D	E	F	S	U	G Min.					
1020 TGFS	0,54	52	3 600	12	35	101,6	35	89	203	52	0,8	86	27,4	1,8	1,5	5,0	4	0,027	3,9	
1030 TGFS	1,60	149	3 600	12	43	110,0	41	89	216	59	0,8	94	31,5	1,8	1,5	5,0	8	0,040	5,2	
1040 TGFS	2,60	249	3 600	12	56	117,5	54	89	216	78	0,8	113	27,4	1,8	1,5	5,0	8	0,054	8,4	
1050 TGFS	4,60	435	3 600	12	67	138,0	60	112	216	87	0,8	126	40,6	1,8	1,5	5,0	8	0,068	12,8	
1060 TGFS	7,20	684	3 600	19	80	150,5	73	127	330	103	1,8	145	43,2	2,8	1,5	5,0	8	0,086	20,5	
1070 TGFS	10,40	994	3 600	19	85	161,9	79	127	330	109	1,8	153	46,7	2,8	1,5	5,0	12	0,113	24,8	
1080 TGFS	21,50	2 050	3 600	27	95	194,0	89	184	406	122	1,8	178	49,8	2,8	1,5	5,0	12	0,172	40,0	
1090 TGFS	39,00	3 730	3 600	27	110	213,0	102	184	406	142	1,8	210	56,9	2,8	1,5	5,0	12	0,254	60,0	
1100 TGFS	65,70	6 280	2 440	41	130	250,0	90	203	406	171	1,6	251	-	3,2	1,5	6,5	12	0,426	90,2	
1110 TGFS	97,60	9 320	2 250	41	150	270,0	104	210	406	196	1,6	277	-	3,2	1,5	6,5	12	0,508	119,0	
1120 TGFS	143,00	13 700	2 025	60	170	308,0	119	246	406	225	1,6	319	-	4,0	1,5	9,5	12	0,735	178,0	
1130 TGFS	208,00	19 900	1 800	66	190	346,0	135	257	406	238	1,6	346	-	4,0	1,5	9,5	12	0,907	237,0	
1140 TGFS	299,00	28 600	1 650	66	210	384,0	152	267	406	266	1,6	386	-	4,0	1,5	9,5	12	1,130	327,0	
1150 TGFS	416,00	39 800	1 500	108	270	453,1	173	345	371	334	5,1	425	-	-	1,5	9,5	14	1,950	462,0	
1160 TGFS	586,00	55 900	1 350	120	290	501,4	186	356	406	366	6,6	457	-	-	1,5	9,5	14	2,810	566,0	
1170 TGFS	781,00	74 600	1 225	133	340	566,4	220	384	445	425	8,4	527	-	-	1,5	9,5	16	3,490	856,0	
1180 TGFS	1 080,00	103 000	1 100	133	340	629,9	249	400	490	451	5,1	591	-	8,1	1,5	9,5	16	3,760	1 135,0	
1190 TGFS	1 430,00	137 000	1 050	152	380	675,6	276	411	530	508	5,1	660	-	8,1	1,5	9,5	18	4,400	1 525,0	
1200 TGFS	1 950,00	186 000	900	177	400	756,9	305	445	575	530	6,1	711	-	9,1	1,5	9,5	18	5,620	1 910,0	

**Grid couplings**

Half spacer



Size	Power per 100 r/min	Rated torque	Speed		Bore diameter				Dimensions							Gap			Flange bolts Qty	Lubricant weight kg	Coupling weight without bore kg							
			Max.	Min.	Max.	Max.	A	B	C	D	DBSE Min.	Max.	N	E	F	Shaft hub S	T hub S	U				G Min.	Normal					
-	kW	Nm	r/min	mm	mm	mm	mm	mm	mm	mm	mm	mm	mm	mm	mm	mm	mm	mm	mm	mm	mm	mm	mm	mm	mm	mm	mm	mm
<b>1020 TGHS</b>	0,54	52	3 600	12	30	35	101,6	35	47,5	39,7	45	102	52	0,8	86	27,4	39,1	1,8	1,5	3	4	0,027	2,9					
<b>1030 TGHS</b>	1,60	149	3 600	12	36	43	110,0	41	47,5	49,2	45	109	59	0,8	94	31,5	39,1	1,8	1,5	3	8	0,040	3,9					
<b>1040 TGHS</b>	2,60	249	3 600	12	44	56	117,5	54	50,8	57,2	45	109	78	0,8	113	27,4	40,1	1,8	1,5	3	8	0,054	5,9					
<b>1050 TGHS</b>	4,60	435	3 600	12	50	67	138,0	60	60,3	66,7	57	109	87	0,8	126	40,6	44,7	1,8	1,5	3	8	0,068	9,1					
<b>1060 TGHS</b>	7,20	684	3 600	19	57	80	150,5	73	63,5	76,2	64	166	103	1,8	145	43,2	52,3	2,8	1,5	3	8	0,086	14,0					
<b>1070 TGHS</b>	10,40	994	3 600	19	65	85	161,9	79	76,2	87,3	64	166	109	1,8	153	46,7	53,8	2,8	1,5	3	12	0,113	17,6					
<b>1080 TGHS</b>	21,50	2 050	3 600	27	79	95	194,0	89	88,9	104,8	93	204	122	1,8	178	49,8	64,5	2,8	1,5	3	12	0,172	29,0					
<b>1090 TGHS</b>	39,00	3 730	3 600	27	95	110	213,0	102	98,4	123,8	93	204	142	1,8	210	56,9	71,6	2,8	1,5	3	12	0,254	42,8					
<b>1100 TGHS</b>	65,70	6 280	2 440	41	107	130	250,0	90	120,6	142,1	103	205	171	1,6	251	-	-	3,2	1,5	5	12	0,426	66,0					
<b>1110 TGHS</b>	97,60	9 320	2 250	41	117	150	270,0	104	127,0	160,3	106	205	196	1,6	277	-	-	3,2	1,5	5	12	0,508	84,5					
<b>1120 TGHS</b>	143,00	13 700	2 025	60	136	170	308,0	119	149,2	179,4	125	205	225	1,6	319	-	-	4,0	1,5	6	12	0,735	129,0					
<b>1130 TGHS</b>	208,00	19 900	1 800	66	165	190	346,0	135	161,9	217,5	130	205	238	1,6	346	-	-	4,0	1,5	6	12	0,907	179,0					
<b>1140 TGHS</b>	299,00	28 600	1 650	66	184	210	384,0	152	184,2	254,0	135	205	266	1,6	386	-	-	4,0	1,5	6	12	1,130	252,0					
<b>1150 TGHS</b>	416,00	39 800	1 500	108	203	270	453,1	173	182,9	269,2	175	187	334	5,1	425	-	-	-	1,5	6	14	1,950	348,0					
<b>1160 TGHS</b>	586,00	55 900	1 350	120	228	290	501,4	186	198,1	304,8	180	205	366	6,6	457	-	-	-	1,5	6	14	2,810	441,0					
<b>1170 TGHS</b>	781,00	74 600	1 225	133	279	340	566,4	220	215,9	355,6	194	224	425	8,4	527	-	-	-	1,5	6	16	3,490	652,0					
<b>1180 TGHS</b>	1 080,00	103 000	1 100	133	311	340	629,9	249	238,8	393,7	202	247	451	5,1	591	-	-	8,1	1,5	6	16	3,760	877,0					
<b>1190 TGHS</b>	1 430,00	137 000	1 050	152	339	380	675,6	276	259,1	436,9	207	267	508	5,1	660	-	-	8,1	1,5	6	18	4,400	1150,0					
<b>1200 TGHS</b>	1 950,00	186 000	900	177	361	400	756,9	305	279,4	497,8	224	289	530	6,1	711	-	-	9,1	1,5	6	18	5,620	1484,0					

## Gear couplings

Very high-torque ratings, along with unparalleled bore capacities, give this coupling a great advantage over other types of couplings. SKF gear couplings are rated up to 555 000 Nm with a maximum bore of 495 mm. This is a heavy duty coupling with incredible design flexibility, making it an economical choice for many applications.

The unique design of the gear couplings tooth crowning dramatically reduces backlash and radial clearance. The hub bore capacities are the largest in the industry allowing for low cost and long service life.

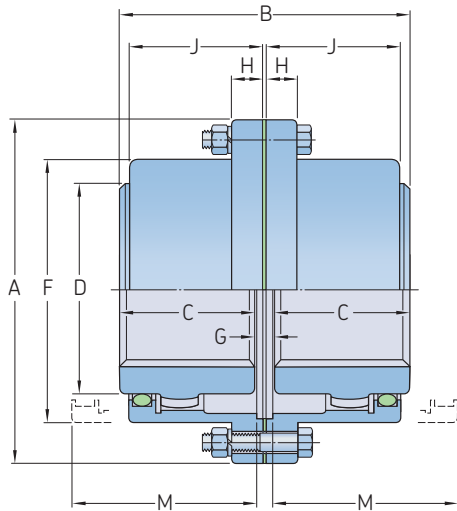
### Order data

Coupling type	Hubs	Qty	Cover	Qty	Assembly kit	Qty	Spacer/floating shaft and kits ... = DBSE dimension	Qty
<b>Double engagement</b>	PHE 50GCRSB	2	PHE 50GCCOVER	2	PHE 50GCKIT	1	–	–
<b>Size 80 and above</b>	PHE 80GCRSB	2	PHE 80GCMCOVER	1	PHE 80GCKIT	1	–	–
	–	–	PHE 80GCFCOVER	1	–	–	–	–
<b>Single engagement</b>	PHE 50GCSERSB	1	PHE 50GCCOVER	1	PHE 50GCKIT	1	–	–
	PHE 50GCRSB	1	–	–	–	–	–	–
<b>Size 80 and above</b>	PHE 80GCSERSB	1	PHE 80GCMCOVER	1	PHE 80GCKIT	1	–	–
	PHE 80GCRSB	1	–	–	–	–	–	–
<b>Double engagement spacer</b>	PHE 50GCRSB	2	PHE 50GCCOVER	2	PHE 50GCKIT	2	PHE 50GCSPECER...MM	1
<b>Double engagement slide type 1, 2, 3</b>								
<b>Type 1</b>	PHE 50GCRSB	2	PHE 50GSCCOVER	2	PHE 50GCKIT	1	PHE 50GCCPLATE	1
<b>Type 2</b>	PHE 50GCT2RSB	2	PHE 50GSCCOVER	2	PHE 50GCKIT	1	PHE 50GCCPLATE	1
<b>Type 3</b>	PHE 50GCRSB	2	PHE 50GCCCOVER	2	PHE 50GCKIT	1	PHE 50GCCPLATE PHE 50GCT3DISC	1 2
	–	–	–	–	–	–	–	–
<b>Single engagement slide type 1 and 2</b>								
<b>Type 1</b>	PHE 50GCRSB	1	PHE 50GSCCOVER	1	PHE 50GCKIT	1	PHE 50GCCPLATE	1
	PHE 50GCSERSB	1	–	–	–	–	–	–
<b>Type 2</b>	PHE 50GCT2RSB	1	PHE 50GSCCOVER	1	PHE 50GCKIT	1	PHE 50GCCPLATE	1
	PHE 50GCSERSB	1	–	–	–	–	–	–
<b>Single engagement floating shaft</b>	PHE 50GCFERSB	2	PHE 50GCCOVER	2	PHE 50GCKIT	2	PHE 50GCFSHAFT .. MM	1
	PHE 50GCRSB	2	–	–	–	–	PHE 50GCFSEDISC	2
<b>Double engagement vertical</b>	PHE 50GCVRSB	2	PHE 50GCVCOVER	2	PHE 50GCKIT	1	50GCVCTRKIT	1
<b>Single engagement vertical</b>	PHE 50GCVRSB	1	PHE 50GCVCOVER	1	PHE 50GCKIT	1	50GCVCTRKIT	–
	PHE 50GCSERSB	1	–	–	–	–	–	–
<b>Single engagement vertical floating</b>	PHE 50GCVRSB	1	PHE 50GCVCOVER	1	PHE 50GCKIT	2	50GCVCTRKIT	2
	PHE 50GCFERSB	1	–	–	–	–	–	–
	PHE 50GCVRSB	1	PHE 50GCVCOVER	1	PHE 50GCKIT	2	PHE 50GCFSHAFT .. MM	1
	PHE 50GCSERSB	1	–	–	–	–	–	–
<b>Rigid flanged sleeve</b>	PHE 50GCRRSB	2	–	–	PHE 50GCRKIT	1	–	–
<b>Size 80 and above</b>	PHE 80GCRRSB	2	–	–	PHE 80GCRKIT	1	PHE 80GCRRING	1

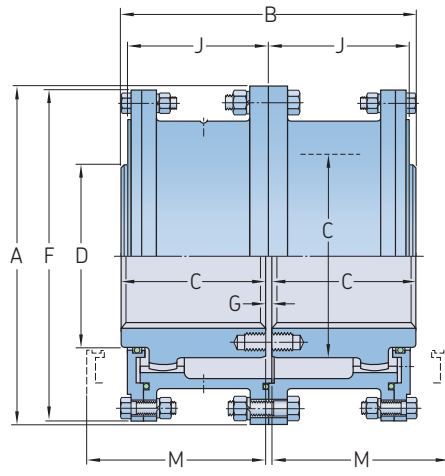
A complete gear coupling consists of: 2 hubs, 2 covers and 1 assembly kit.  
Coupling size 80 and above consists of: 2 hubs, 1 male cover, 1 female cover and 1 assembly kit.  
For bored to size designations, add bore size RSB. For example: PHE 50GCX500MM.  
For shrouded bolt covers, use cover number, e.g. PHE 50SGCCOVER and PHE 50SGCKIT for the assembly kit.  
The assembly kit includes oil seals, gasket, bolts and lock-nuts.

# Gear couplings

## Double engagement



Size 10 to 70

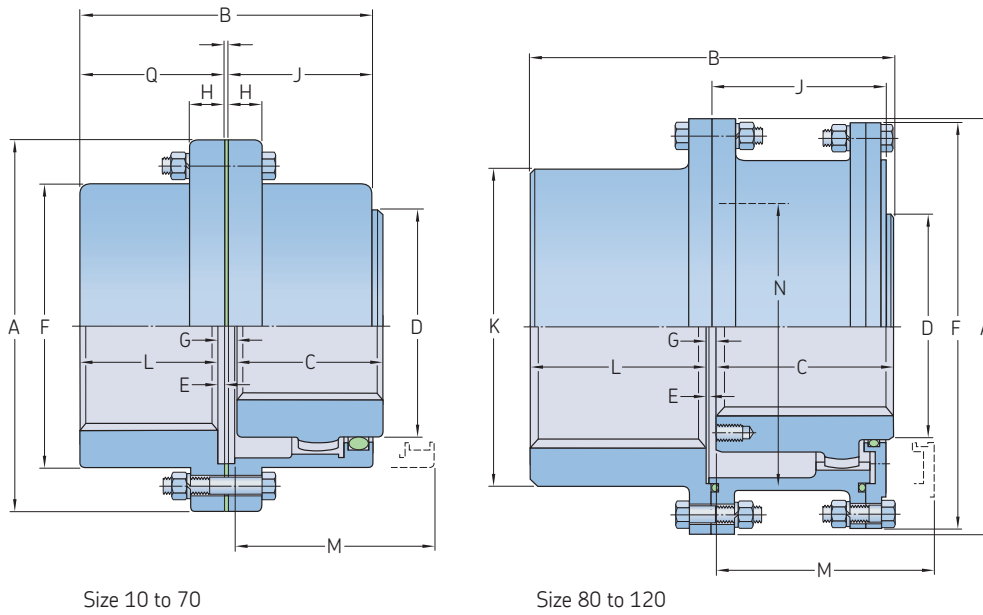


Size 80 to 120

Size	Power per 100 r/min	Rated torque	Speed		Bore diameter		Dimensions							Gap	Lubricant mass	Coupling mass without bore and min. DBSE
			Max.	Min.	Max.	A	B	C	D	F	H	J	M <sup>1)</sup>			
–	kW	Nm	r/min	mm	mm	mm	mm	mm	mm	mm	mm	mm	mm	mm	kg	
10 GC	11,9	1 139	8 000	13	50	116	89	43	69	84	14,0	39	51	3	0,04	5
15 GC	24,6	2 350	6 500	20	65	152	101	49	86	105	19,0	48	61	3	0,07	9
20 GC	44,7	4 270	5 600	26	78	178	127	62	105	126	19,0	59	77	3	0,12	16
25 GC	78,3	7 474	5 000	32	98	213	159	77	131	155	21,8	72	92	5	0,23	29
30 GC	127,0	12 100	4 400	39	111	240	187	91	152	180	21,8	84	107	5	0,36	43
35 GC	194,0	18 500	3 900	51	134	279	218	106	178	211	28,4	98	130	6	0,54	68
40 GC	321,0	30 609	3 600	64	160	318	248	121	210	245	28,4	111	145	6	0,91	97
45 GC	440,0	42 000	3 200	77	183	346	278	135	235	274	28,4	123	166	8	1,04	136
50 GC	593,0	56 600	2 900	89	200	389	314	153	254	306	38,1	141	183	8	1,77	190
55 GC	775,0	74 030	2 650	102	220	425	344	168	279	334	38,1	158	204	8	2,22	249
60 GC	947,0	90 400	2 450	115	244	457	384	188	305	366	25,4	169	229	8	3,18	306
70 GC	1 420,0	135 000	2 150	127	289	527	452	221	343	425	28,4	196	267	10	4,35	485
80 GC	1 780,0	170 000	1 750	102	266	591	508	249	356	572	–	243	300	10	9,53	703
90 GC	2 360,0	226 000	1 550	115	290	660	565	276	394	641	–	265	327	13	12,25	984
100 GC	3 250,0	310 000	1 450	127	320	711	623	305	445	699	–	294	356	13	14,97	1 302
110 GC	4 320,0	413 000	1 330	140	373	775	679	333	495	749	–	322	384	13	17,69	1 678
120 GC	5 810,0	555 000	1 200	153	400	838	719	353	546	826	–	341	403	13	20,87	2 114

<sup>1)</sup> Minimum clearance required for aligning coupling.

**Gear couplings**  
Single engagement



Size 10 to 70

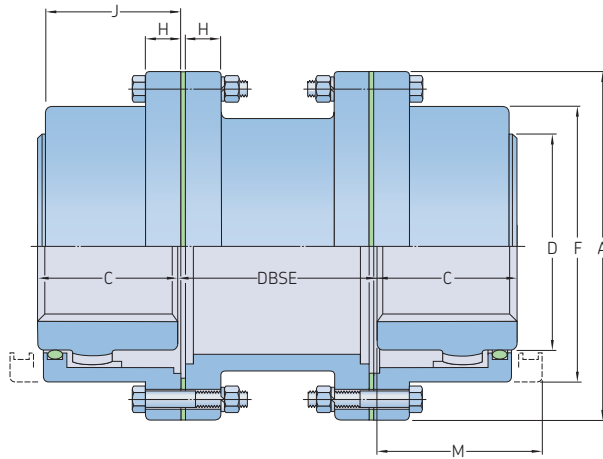
Size 80 to 120

Size	Power per 100 r/min	Rated torque	Speed	Bore diameter			Dimensions													Gap	Lubricant mass	Coupling mass without bore
				Flex hub	Se hub	Se hub	A	B	C	D	E	F	H	J	K <sup>1)</sup>	L	M <sup>2)</sup>	Q	G Min.			
	kW	Nm	Max. r/min	Max. mm	Max. mm	Min. mm	mm													mm	kg	
10 GCSE	11,9	1 139	8 000	48	60	13	116	87,0	43	69	2,5	84	14,0	39	-	40	51	42	4	0,02	4,5	
15 GCSE	24,6	2 350	6 500	60	75	19	152	99,0	49	86	2,5	105	19,0	48	-	46	61	49	4	0,04	9,1	
20 GCSE	44,7	4 270	5 600	73	92	25	178	124,0	62	105	2,5	126	19,0	59	-	58	77	61	4	0,07	15,9	
25 GCSE	78,3	7 474	5 000	92	111	32	213	156,0	77	131	2,5	155	21,8	72	-	74	92	76	5	0,12	27,2	
30 GCSE	127,0	12 100	4 400	105	130	38	240	184,0	91	152	2,5	180	21,8	84	-	88	107	90	5	0,18	43,1	
35 GCSE	194,0	18 500	3 900	124	149	51	279	213,5	106	178	2,5	211	28,4	98	-	102	130	105	6	0,27	61,2	
40 GCSE	321,0	30 609	3 600	146	171	64	318	243,0	121	210	4,1	245	28,4	111	-	115	145	119	7	0,47	99,8	
45 GCSE	440,0	42 000	3 200	165	194	76	346	274,0	135	235	4,1	274	28,4	123	-	131	166	135	8	0,57	136,1	
50 GCSE	593,0	56 600	2 900	178	222	89	389	309,0	153	254	5,1	306	38,1	141	-	147	183	152	9	0,91	195,0	
55 GCSE	775,0	74 030	2 650	197	248	102	425	350,0	168	279	5,1	334	38,1	158	-	173	204	178	9	1,13	263,1	
60 GCSE	947,0	90 400	2 450	222	267	114	457	384,0	188	305	6,6	366	25,4	169	-	186	229	193	10	1,70	324,3	
70 GCSE	1 420,0	135 000	2 150	254	305	127	527	454,0	221	343	8,4	425	28,4	196	-	220	267	229	13	2,27	508,0	
80 GCSE	1 780,0	170 000	1 750	279	343	102	591	511,0	249	356	-	572	-	243	450,8	249	300	-	13	4,99	698,5	
90 GCSE	2 360,0	226 000	1 550	305	381	114	660	566,0	276	394	-	641	-	265	508,0	276	327	-	14	6,35	984,3	
100 GCSE	3 250,0	310 000	1 450	343	406	127	711	626,0	305	445	-	699	-	294	530,4	305	356	-	16	7,71	1251,9	
110 GCSE	4 320,0	413 000	1 330	387	445	140	775	682,0	333	495	-	749	-	322	584,2	333	384	-	16	9,07	1637,5	
120 GCSE	5 810,0	555 000	1 200	425	495	152	838	722,0	353	546	-	826	-	341	647,7	353	403	-	16	10,89	2077,5	

<sup>1)</sup> May be an "as cast" version depending on coupling size and bore.  
<sup>2)</sup> Minimum clearance required for aligning coupling.

# Gear couplings

Double engagement · Spacer

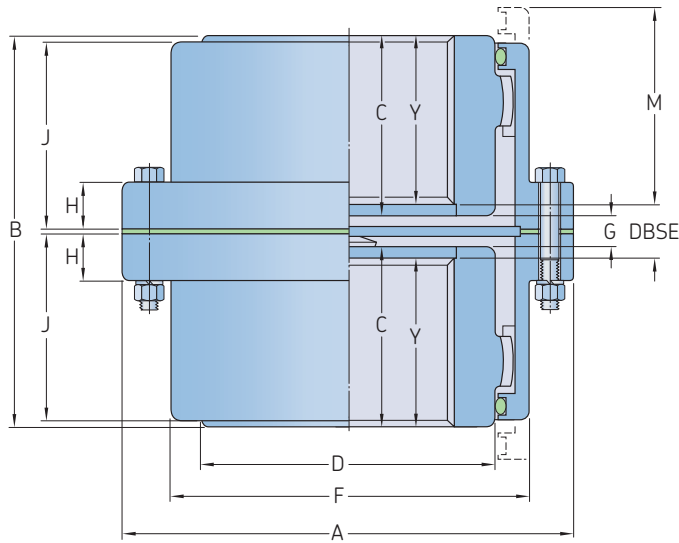


Size	Power per 100 r/min	Rated torque	Speed	DBSE		Bore diameter		Dimensions						Lubricant mass	Coupling mass without bore and min. bore	
				Max.	Min.	Max.	Min.	Max.	A	C	D	F	H			J
–	kW	Nm	r/min	mm										kg		
10 GCS	11,9	1 139	7 000	83	311	13	48	116	43	69	84	14,0	39	51	0,04	6,8
15 GCS	24,6	2 350	5 500	83	311	19	60	152	49	86	105	19,0	48	61	0,07	13,6
20 GCS	44,7	4 270	4 600	83	311	25	73	178	62	105	126	19,0	59	77	0,12	20,4
25 GCS	78,3	7 474	4 000	95	311	32	92	213	77	131	155	21,8	72	92	0,23	38,6
30 GCS	127,0	12 100	3 600	95	311	38	105	240	91	152	180	21,8	84	107	0,36	54,4
35 GCS	194,0	18 500	3 100	120	311	51	124	279	106	178	211	28,4	98	130	0,54	88,5
40 GCS	321,0	30 609	2 800	120	311	64	146	318	121	210	245	28,4	111	145	0,91	122,5
45 GCS	440,0	42 000	2 600	120	311	76	165	346	135	235	274	28,4	123	166	1,04	165,6
50 GCS	593,0	56 600	2 400	146	311	89	178	389	153	254	306	38,1	141	183	1,77	238,1
55 GCS	775,0	74 030	2 200	146	311	102	197	425	168	279	334	38,1	158	204	2,22	306,2
60 GCS	947,0	90 400	2 100	146	311	114	222	457	188	305	366	25,4	169	229	3,18	358,3
70 GCS	1 420,0	135 000	1 800	146	311	127	254	527	221	343	425	28,4	196	267	4,35	562,5

<sup>1)</sup> Minimum clearance required for aligning coupling.

## Gear couplings

Double engagement · Vertical

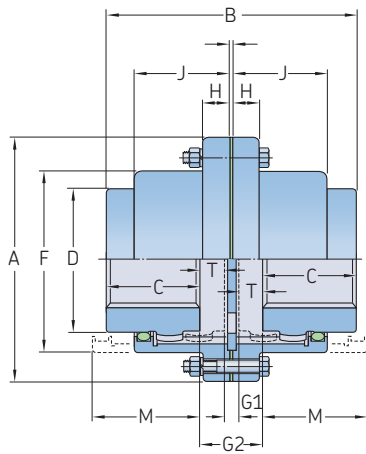


Size	Power per 100 r/min	Rated torque	Speed	Bore diameter		Dimensions										Gap G Min.	Lubricant mass	Coupling mass without bore
				Max.	Min.	A	B	C	D	F	H	J	M <sup>1)</sup>	Y	DBSE			
–	kW	Nm	r/min	mm	mm	mm										mm	kg	
10 GCV	11,9	1 139	8 000	13	48	116	89	43	69	84	14,0	39	51	32,5	24	11	0,04	5
15 GCV	24,6	2 350	6 500	19	60	152	101	49	86	105	19,0	48	61	38,6	24	11	0,07	9
20 GCV	44,7	4 270	5 600	25	73	178	127	62	105	126	19,0	59	77	51,3	24	11	0,12	16
25 GCV	78,3	7 474	5 000	32	92	213	159	77	131	155	21,8	72	92	65,3	26	14	0,23	29
30 GCV	127,0	12 100	4 400	38	105	240	187	91	152	180	21,8	84	107	79,8	26	14	0,36	43
35 GCV	194,0	18 500	3 900	51	124	279	218	106	178	211	28,4	98	130	94,0	30	18	0,54	68
40 GCV	321,0	30 609	3 600	64	146	318	248	121	210	245	28,4	111	145	105,9	35	22	0,91	97
45 GCV	440,0	42 000	3 200	76	165	346	278	135	235	274	28,4	123	166	116,3	44	25	1,04	136
50 GCV	593,0	56 600	2 900	89	178	389	314	153	254	306	38,1	141	183	134,6	44	25	1,77	190
55 GCV	775,0	74 030	2 650	102	197	425	344	168	279	334	38,1	158	204	149,6	44	25	2,22	249
60 GCV	947,0	90 400	2 450	114	222	457	384	188	305	366	25,4	169	229	168,1	48	29	3,18	306
70 GCV	1 420,0	135 000	2 150	127	254	527	452	221	343	425	28,4	196	267	194,8	61	35	4,35	485

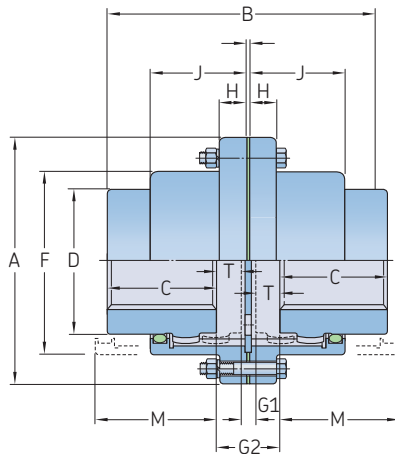
<sup>1)</sup> Minimum clearance required for aligning coupling.

# Gear couplings

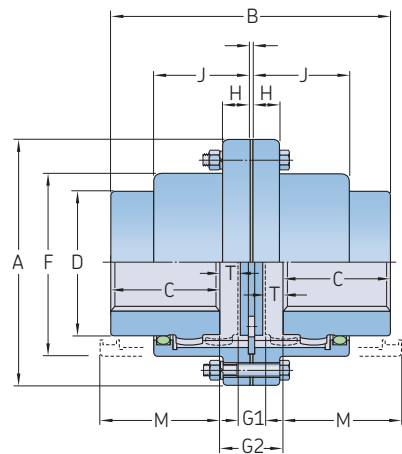
Double engagement · Slide



Type 1



Type 2



Type 3

Size	Power per 100 r/min	Rated torque	Speed	Dimensions		A	C	D	F	H	J	Lubricant mass	Coupling mass without bore
				Bore diameter	Max.								
–	kW	Nm	r/min	mm	mm	mm	mm	mm	mm	mm	mm	kg	kg
10 GCSL	11,9	1 139	5 300	13	48	116	43	69	84	14,0	39	0,02	5
15 GCSL	24,6	2 350	4 300	19	60	152	49	86	105	19,0	48	0,04	9
20 GCSL	44,7	4 270	3 700	25	73	178	62	105	126	19,0	59	0,06	16
25 GCSL	78,3	7 474	3 300	32	92	213	77	131	155	21,8	72	0,11	29
30 GCSL	127,0	12 100	2 900	38	105	240	91	152	180	21,8	84	0,18	43
35 GCSL	194,0	18 500	2 600	51	124	279	106	178	211	28,4	98	0,27	68
40 GCSL	321,0	30 609	2 400	64	146	318	121	210	245	28,4	111	0,45	97
45 GCSL	440,0	42 000	2 100	76	165	346	135	235	274	28,4	123	0,51	136
50 GCSL	593,0	56 600	1 900	89	178	389	153	254	306	38,1	141	0,91	190
55 GCSL	775,0	74 030	1 800	102	197	425	168	279	334	38,1	158	1,13	249
60 GCSL	947,0	90 400	1 600	114	222	457	188	305	366	25,4	169	1,19	306
70 GCSL	1 420,0	135 000	1 400	127	254	527	221	343	425	28,4	196	2,18	485

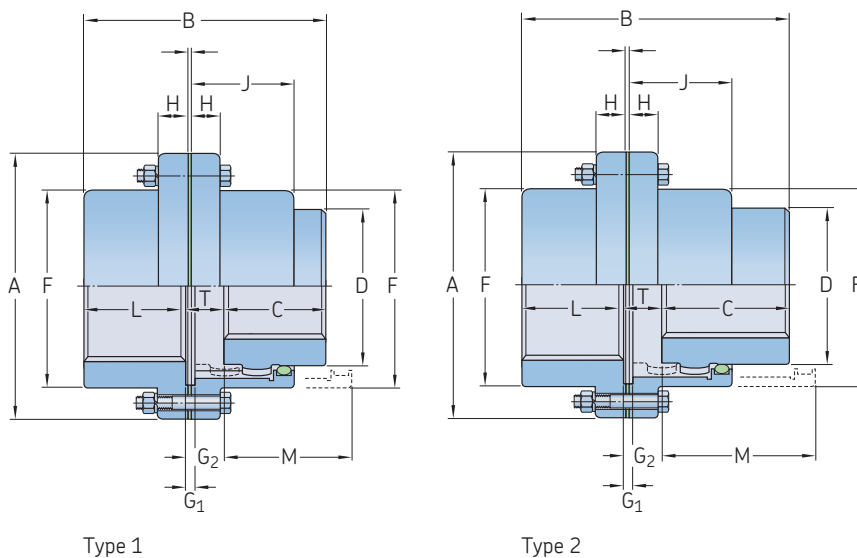
Size	Type 1						Type 2						Type 3						
	B Max.	M <sup>1)</sup>	Half T Max.	Total	Gap G <sub>1</sub>	G <sub>2</sub>	B Max.	M <sup>1)</sup>	Half T Max.	Total	Gap G <sub>1</sub>	G <sub>2</sub>	B Max.	M <sup>1)</sup>	Half T Max.	Total	Gap G <sub>1</sub>	G <sub>2</sub>	
–	mm	mm	mm	mm	mm	mm	mm	mm	mm	mm	mm	mm	mm	mm	mm	mm	mm	mm	mm
10 GCSL	96	54	13	26	8	10	126	58	16	32	8	40	96	54	2,0	4	6	10	
15 GCSL	127	60	10	20	8	29	152	69	23	46	8	54	127	60	7,5	15	14	29	
20 GCSL	151	77	9	18	8	27	186	84	27	54	8	62	151	77	10,0	20	7	27	
25 GCSL	188	93	12	24	9	34	231	102	34	68	9	78	188	93	6,0	12	21	34	
30 GCSL	227	108	18	36	9	45	263	118	36	72	9	81	227	108	11,5	23	22	45	
35 GCSL	274	124	25	50	11	61	313	135	45	90	11	102	274	124	14,0	28	33	61	
40 GCSL	320	138	32	64	15	79	364	155	54	108	15	121	320	138	16,0	32	47	79	
45 GCSL	355	154	35	70	16	86	406	163	60	120	16	136	355	154	19,0	38	47	86	
50 GCSL	408	175	42	82	18	102	460	189	68	136	18	153	408	175	20,5	41	61	102	
55 GCSL	470	191	58	116	18	134	510	221	78	156	18	174	470	191	21,0	42	92	134	
60 GCSL	504	212	53	424	21	127	563	227	83	166	21	187	504	212	24,5	49	78	127	
70 GCSL	592	245	62	490	26	150	669	235	99	198	26	223	592	245	27,0	54	96	150	

<sup>1)</sup> Minimum clearance required for aligning coupling.



# Gear couplings

Single engagement · Slide

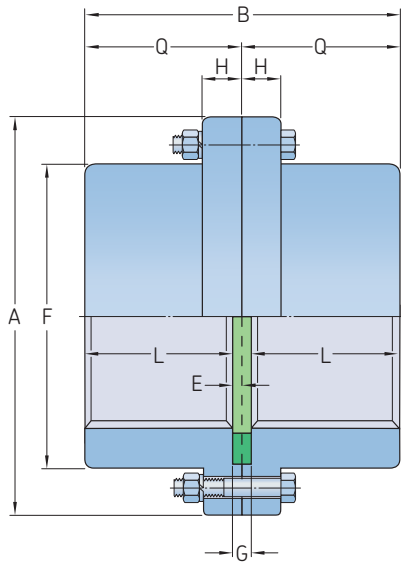


Size	Power per 100 r/min	Rated torque	Speed	Dimensions	Se hub	Dimensions								Lubricant mass	Coupling mass without bore	
						Bore diameter	Flex hub	A	C	D	F	H	J			L
			Max.	Max.	Max.	Min.	mm	mm	mm	mm	mm	mm	mm	mm	kg	kg
10 GCSL	11,9	1 139	5 300	48	60	13	116	43	69	84	14,0	39	40	0,01	5	
15 GCSL	24,6	2 350	4 300	60	75	19	152	49	86	105	19,0	48	46	0,02	9	
20 GCSL	44,7	4 270	3 700	73	92	25	178	62	105	126	19,0	59	58	0,04	16	
25 GCSL	78,3	7 474	3 300	92	111	32	213	77	131	155	21,8	72	74	0,06	29	
30 GCSL	127,0	12 100	2 900	105	130	38	240	91	152	180	21,8	84	88	0,11	43	
35 GCSL	194,0	18 500	2 600	124	149	51	279	106	178	211	28,4	98	102	0,18	68	
40 GCSL	321,0	30 609	2 400	146	171	64	318	121	210	245	28,4	111	115	0,27	97	
45 GCSL	440,0	42 000	2 100	165	194	76	346	135	235	274	28,4	123	131	0,34	136	
50 GCSL	593,0	56 600	1 900	178	222	89	389	153	254	306	38,1	141	147	0,54	195	
55 GCSL	775,0	74 030	1 800	197	248	102	425	168	279	334	38,1	158	173	0,73	263	
60 GCSL	947,0	90 400	1 600	222	267	114	457	188	305	366	25,4	169	186	0,96	324	
70 GCSL	1 420,0	135 000	1 400	254	305	127	527	221	343	425	28,4	196	220	1,36	510	

Size	Type 1					Type 2				
	B Max.	M <sup>1)</sup>	T Max.	Gap G <sub>1</sub>	G <sub>2</sub>	B Max.	M <sup>1)</sup>	T Max.	Gap G <sub>1</sub>	G <sub>2</sub>
	mm					mm				
10 GCSL	90,0	54	3,6	4	8	105	58	18,5	4	23
15 GCSL	112,0	60	12,7	4	17	125	69	25,4	4	30
20 GCSL	136,0	77	11,7	4	16	154	84	29,5	4	34
25 GCSL	170,0	93	14,5	5	19	192	102	36,3	5	41
30 GCSL	204,0	108	20,1	5	25	222	118	38,1	5	43
35 GCSL	241,0	124	27,2	6	33	262	135	47,8	6	53
40 GCSL	279,0	138	36,3	7	43	300	155	57,4	7	65
45 GCSL	315,0	154	38,9	8	47	338	163	64,0	8	72
50 GCSL	356,0	175	47,0	9	56	382	189	72,6	9	81
55 GCSL	412,5	191	63,0	9	72	433	221	83,1	9	92
60 GCSL	445,0	212	59,7	10	70	475	227	89,4	10	100
70 GCSL	524,0	245	70,4	13	83	560	235	106,7	13	119

<sup>1)</sup> Minimum clearance required for aligning coupling.

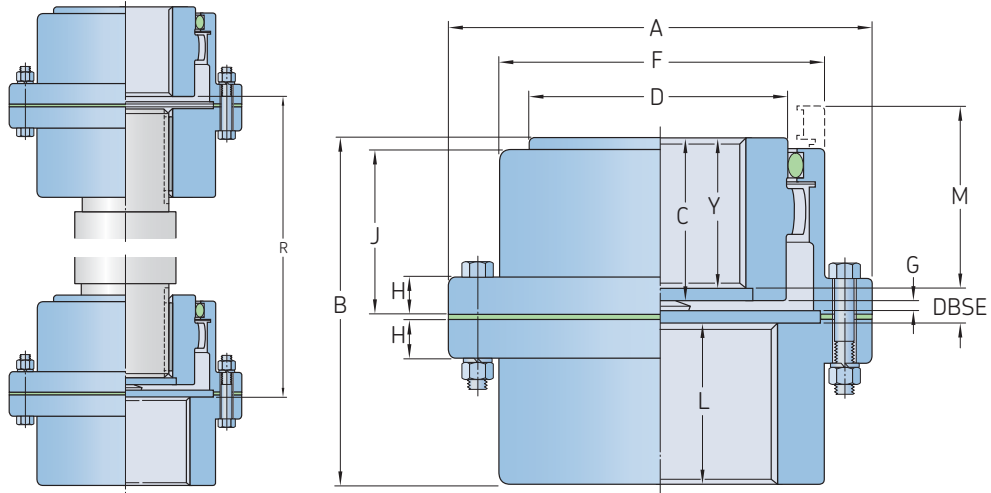
**Gear couplings**  
Rigid flanged sleeve



Size	Power per 100 r/min	Rated torque	Speed		Dimensions			Gap						Coupling mass without bore	
			Max.	Min.	Bore diameter	A	B	E	F	H	L	Q	G		
-	kW	Nm	r/min	mm	Max.	mm	mm	mm	mm	mm	mm	mm	mm	mm	kg
<b>10 GCR</b>	11,9	1 139	8 000	13	60	116	84,5	2,5	84	14,0	40,0	39	5	5	
<b>15 GCR</b>	24,6	2 350	6 500	19	75	152	97,5	2,5	105	19,0	46,0	48	5	9	
<b>20 GCR</b>	44,7	4 270	5 600	25	92	178	122,0	2,5	126	19,0	58,5	59	5	16	
<b>25 GCR</b>	78,3	7 474	5 000	32	111	213	152,5	2,5	155	21,8	73,5	72	5	28	
<b>30 GCR</b>	127,0	12 100	4 400	38	130	240	181,0	2,5	180	21,8	88,0	84	5	43	
<b>35 GCR</b>	194,0	18 500	3 900	51	149	279	209,0	2,5	211	28,4	102,0	98	5	68	
<b>40 GCR</b>	321,0	30 609	3 600	64	171	318	239,0	4,1	245	28,4	115,0	111	8	102	
<b>45 GCR</b>	440,0	42 000	3 200	76	194	346	269,0	4,1	274	28,4	130,5	123	8	140	
<b>50 GCR</b>	593,0	56 600	2 900	89	222	389	305,0	5,1	306	38,1	147,5	141	10	205	
<b>55 GCR</b>	775,0	74 030	2 650	102	248	425	355,5	5,1	334	38,1	172,5	158	10	280	
<b>60 GCR</b>	947,0	90 400	2 450	114	267	457	386,0	6,6	366	25,4	186,5	169	13	335	
<b>70 GCR</b>	1 420,0	135 000	2 150	127	305	527	457,0	8,4	425	28,4	220,0	196	17	536	
<b>80 GCR</b>	1 780,0	170 000	1 750	102	343	591	514,0	8,0	572	31,5	249,0	243	16	703	
<b>90 GCR</b>	2 360,0	226 000	1 550	114	381	660	568,0	8,0	641	38,0	276,0	265	16	984	
<b>100 GCR</b>	3 250,0	310 000	1 450	127	406	711	629,0	9,7	699	44,2	305,0	294	19	1 210	
<b>110 GCR</b>	4 320,0	413 000	1 330	140	445	775	686,0	9,7	749	50,8	333,0	322	19	1 610	
<b>120 GCR</b>	5 810,0	555 000	1 200	152	495	838	724,0	9,7	826	53,8	353,0	341	19	2 114	

## Gear couplings

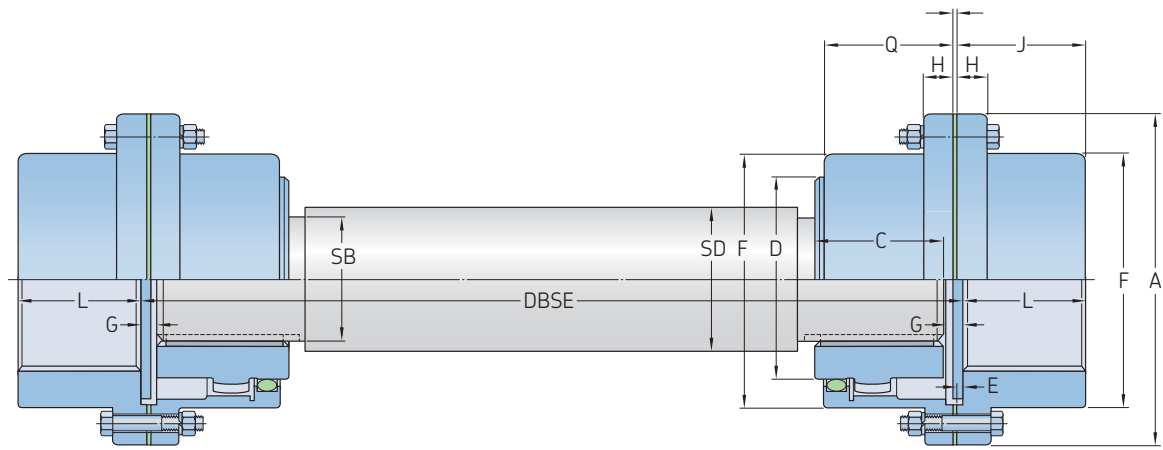
Single engagement · Vertical and floating shaft



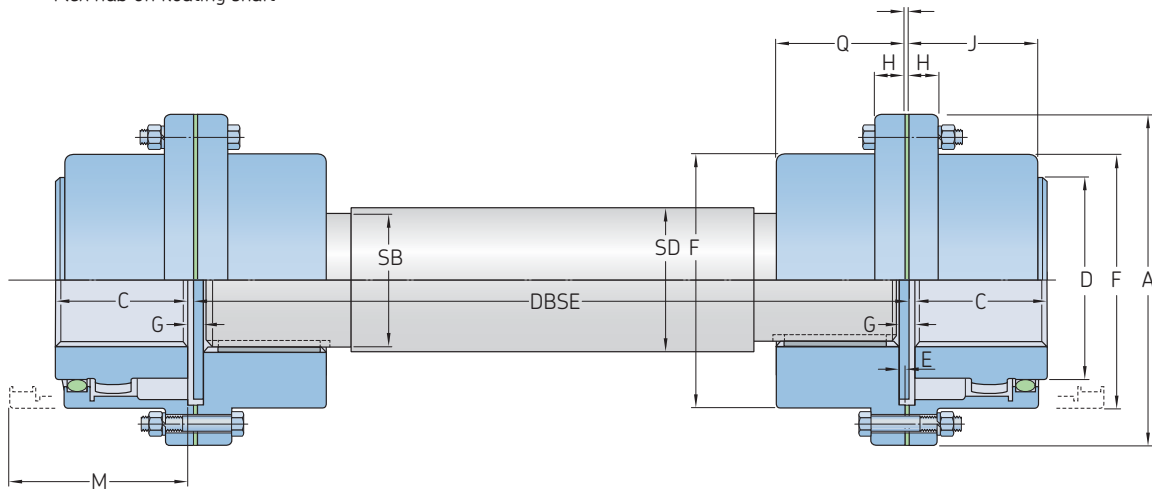
Size	Power per 100 r/min	Rated torque	Speed	Bore diameter		Min.	Dimensions										Gap		Lubricant mass	Coupling mass without bore	
				Flex hub	Se hub		A	B	C	D	F	H	J	L	M	R	Y	DBSE			G
	kW	Nm	r/min	Max.	Max.		mm										mm	kg			
<b>10 GCV</b>	11,9	1 139	7 000	48	60	13	116	87,0	43	69	84	14,0	39	40	51	132	32,5	14,7	4	0,02	4,5
<b>15 GCV</b>	24,6	2 350	5 500	60	75	19	152	99,0	49	86	105	19,0	48	46	61	152	38,6	14,7	4	0,04	9,1
<b>20 GCV</b>	44,7	4 270	4 600	73	92	25	178	124,0	62	105	126	19,0	59	58	77	183	51,3	14,7	4	0,07	15,9
<b>25 GCV</b>	78,3	7 474	4 000	92	111	32	213	156,0	77	131	155	21,8	72	74	92	218	65,3	16,3	5	0,12	27,2
<b>30 GCV</b>	127,0	12 100	3 600	105	130	38	240	184,0	91	152	180	21,8	84	88	107	248	79,8	16,3	5	0,18	43,1
<b>35 GCV</b>	194,0	18 500	3 100	124	149	51	279	213,5	106	178	211	28,4	98	102	130	298	94,0	18,0	6	0,27	61,2
<b>40 GCV</b>	321,0	30 609	2 800	146	171	64	318	243,0	121	210	245	28,4	111	115	145	340	105,9	22,0	7	0,47	99,8
<b>45 GCV</b>	440,0	42 000	2 600	165	194	76	346	274,0	135	235	274	28,4	123	131	166	388	116,3	26,7	8	0,57	136,1
<b>50 GCV</b>	593,0	56 600	2 400	178	222	89	389	309,0	153	254	306	38,1	141	147	183	424	134,6	27,7	9	0,91	195,0
<b>55 GCV</b>	775,0	74 030	2 200	197	248	102	425	350,0	168	279	334	38,1	158	173	204	464	149,6	27,7	9	1,13	263,1
<b>60 GCV</b>	947,0	90 400	2 100	222	267	114	457	384,0	188	305	366	25,4	169	186	229	522	168,1	30,9	10	1,70	324,3
<b>70 GCV</b>	1 420,0	135 000	1 800	254	305	127	527	454,0	221	343	425	28,4	196	220	267	615	194,8	39,1	13	2,27	508,0

# Gear couplings

Single engagement · Floating shaft



Flex hub on floating shaft



Rigid hubs on floating shaft

Size	DBSE		Bore diameter		Min.	Dimensions										Gap	Min lubricant mass	Coupling mass without bore
	Flex hub	Rigid hub	Flex hub	Rigid hub		A	C	D	F	H	J	L	M	G				
	Min.	Max.	Max.	Max.														
-	mm														kg			
10 GCFS	133	92	48	60	13	116	43	69	84	14,0	39	40	51	4	0,02	4,5		
15 GCFS	159	105	60	75	19	152	49	86	105	19,0	48	46	61	4	0,04	9,1		
20 GCFS	197	129	73	92	25	178	62	105	126	19,0	59	58	77	4	0,07	15,9		
25 GCFS	241	162	92	111	32	213	77	131	155	21,8	72	74	92	5	0,12	27,2		
30 GCFS	279	189	105	130	38	240	91	152	180	21,8	84	88	107	5	0,18	43,1		
35 GCFS	324	219	124	149	51	279	106	178	211	28,4	98	102	130	6	0,27	61,2		
40 GCFS	419	248	146	171	64	318	121	210	245	28,4	111	115	145	7	0,47	99,8		
45 GCFS	508	281	165	194	76	346	135	235	274	28,4	123	131	166	8	0,57	136,1		
50 GCFS	533	316	178	222	89	389	153	254	306	38,1	141	147	183	9	0,91	195,0		
55 GCFS	572	367	197	248	102	425	168	279	334	38,1	158	173	204	9	1,13	263,1		
60 GCFS	597	397	222	267	114	457	188	305	366	25,4	169	186	229	10	1,70	324,3		
70 GCFS	673	470	254	305	127	527	221	343	425	28,4	196	220	267	13	2,27	508,0		

## Disc couplings

The SKF disc coupling is the ideal solution in medium to high torque applications that require torsional rigidity, offer some allowance for misalignment, and do not require lubrication. These applications typically have a capacity range up to 178 kNm in a range of configurations including single disc, double disc, and spacer for both horizontal and vertical mounting. Standard shaft capacities are up to 289 mm.

The SKF disc coupling consists of two hubs and a laminated stainless steel disc pack secured by a series of fitted bolts retained by nylon insert lock nut nuts.

For spacer units, the spacer length is held between two disc pack sets.

Single disc units can accommodate angular ( $\alpha$ ) offset only. Double disc pack units, with a spacer, will allow for angular ( $\alpha$ ), parallel ( $\delta$ ), or combined offset. Both configurations will also allow for some axial ( $\delta$ ) movement.

The disc pack, or spacer may be removed and re-installed radially, meaning the prime mover and driven machine need not be moved at all.

The all-steel machined components allow for high speed applications to be handled with ease. With two-plane dynamic balancing, higher speeds are often permissible.

Hubs are carried with pilot bores so that boring to requirements is easy. In addition, where zero backlash is required, the use of the SKF FX Keyless Bushing is a simple and economical solution.

### The SKF Disc Coupling offers the following benefits:

- Medium to high torque capability
- Cost effective (v torque and size)
- No lubrication required
- No frictional or energy losses
- Quiet operation (no meshing)
- Zero backlash
- Angular misalignment ( $\alpha^c$ )
- Parallel offset ( $\beta$ ) with spacer / double disc pack configuration only
- High speed capability (may require dynamic balancing over 50 m/s)
- Limited end-float / axial movement ( $\delta$ )

- Temperature-tolerant (generally up to 250 °C)
- Low inertia / mass  $MK^2$  (when compared with other metallic-type couplings)
- Various hub designs, including short or inverted hub
- Standard spacer lengths to ANSI and ISO standards generally available
- Available with longer tubular spacers (steel or composite in some instances)
- Ease of mounting / alignment and maintenance

### Coupling types

The SKF Disc Coupling is available in 2 basic configurations:

- Single disc
- Double disc
  - Short spacer
  - Standard spacer
  - Custom spacer
  - Floating horizontal
  - Floating vertical

### Order data

Coupling type	Hubs		Disc pack		Bolt kit	Vertical kit	Spacer / Vertical kit (VKIT)						
–	Solid bore	Qty	Bored to size	Qty	Qty	Qty	Qty (... = DBSE dimension)	Qty					
Single-flex (W4)	PHE W4-15HUBRSB	2	or	PHE W4-15HUB...MM	2	PHE W4-15DPACK	1	PHE W4-15KIT	1	–	–	–	
Double-flex (W4), with spacer	PHE W4-15HUBRSB	2	or	PHE W4-15HUB...MM	2	PHE W4-15DPACK	2	PHE W4-15KIT	2	–	PHE W4-15X...MM	1	
Double-flex floating	PHE W6-35HUBRSB	2	or	PHE W6-35HUB...MM	2	PHE W6-35DPACK	2	PHE W6-35KIT	2	–	PHE W6-35FSX...MM	1	
Double-flex semi-floating	PHE W6-35HUBRSB	2	or	PHE W6-35HUB...MM	2	PHE W6-35DPACK	1	PHE W6-35KIT	1	–	PHE W6-35SFSSPX...MM	1	
Single-flex (vertical)	PHE W4-15HUBRSB	2	or	PHE W4-15HUB...MM	2	PHE W4-15DPACK	1	PHE W4-15KIT	1	PHE W4-15VKIT	1	–	
Double-flex (vertical) with spacer	PHE W6-35HUBRSB	2	or	PHE W6-35HUB...MM	2	PHE W6-35DPACK	2	PHE W6-35KIT	2	PHE W6-35VKIT	1	PHE W6-35X...MM	1
Double-flex floating (vertical)	PHE W6-35HUBRSB	2	or	PHE W6-35HUB...MM	2	PHE W6-35DPACK	2	PHE W6-35KIT	2	PHE W6-35VKIT	1	PHE W6-35FSX...MM	1

The complete coupling designation consists of the series, size and bore details. If bore is not specified, solid bore (RSB) is supplied, for example: PHE W6D-35x50MMx50MM or PHE W6D-45x350MMx50x50MM, where 350 mm is the required DBSE.

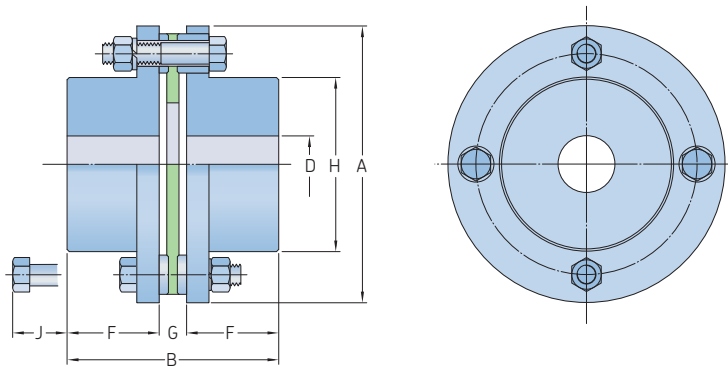
Unless specified, bore tolerance will be H7.

Option of taper bushing in the hub (mounting type F) is available on request. Note that coupling capacity may be reduced due to the taper bushing capacity. FX Keyless bushings are also an option in some cases. Please, refer to SKF for details on both options.

For bored to size designations, add bore size. For example: PHE W4D-45X50MMX45MM.

# Disc couplings

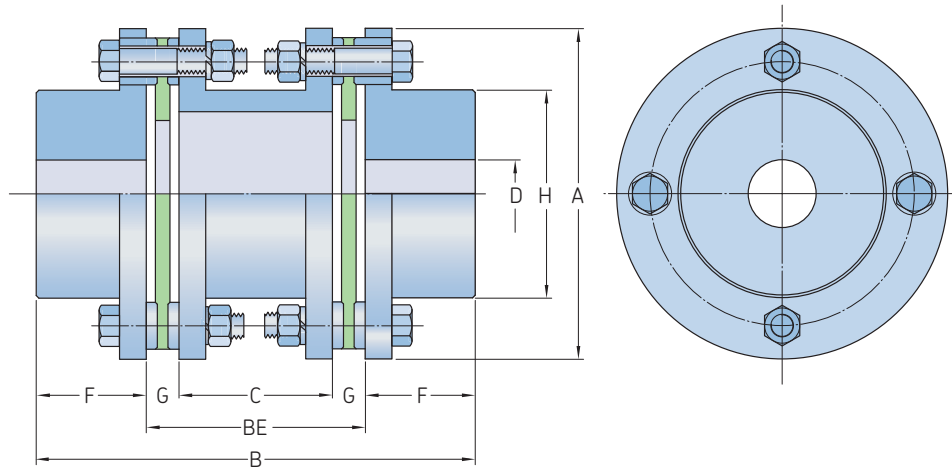
## W4 – 4 Bolt single



Size	Rated torque Nm	Speed <sup>1)</sup> r/min	Bore diameter		Dimensions						Tightening torque Nm	Coupling weight without bore and min. DBSE kg	
			D Min.	Max.	A	B	F	G	H	J			
–			mm										
05 S	34,3	10 000	8	23	67	55,8	25	5,8	33	16	9	0,6	
10 S	90,0	10 000	10	32	81	57,1	25	7,1	46	16	9	1,1	
15 S	176,0	10 000	10	35	93	66,4	29	8,4	51	24	22	1,7	
20 S	245,0	10 000	10	42	104	79,0	34	11,0	61	30	22	2,5	
25 S	421,0	8 300	16	50	126	93,2	41	11,2	71	27	41	4,3	
30 S	774,0	7 300	16	58	143	108,5	48	12,5	84	28	72	6,9	
35 S	1 274,0	6 200	25	74	168	130,0	57	16,0	106	26	72	11,3	
40 S	2 058,0	5 400	25	83	194	145,0	64	17,0	118	30	160	16,7	
45 S	3 332,0	4 900	45	95	214	174,8	76	22,8	137	34	160	22,7	
50 S	4 900,0	4 200	50	109	246	202,0	89	24,0	156	26	220	35,4	
55 S	6 370,0	3 800	50	118	276	230,0	102	26,0	169	42	570	52,0	

<sup>1)</sup> If higher speed required, contact SKF

**Disc couplings**  
W4 – 4 Bolt double



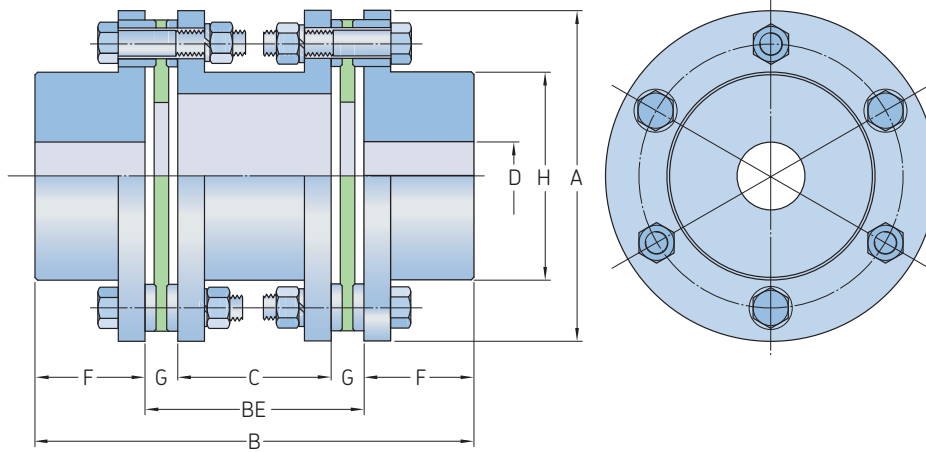
Size	Rated torque	Speed <sup>1)</sup>	Bore diameter		Dimensions								Tightening torque	Coupling weight without bore and min. DBSE
			D Min.	Max.	A	B	BE <sup>3)</sup> Min.	C <sup>2)</sup>	F	G	H	J		
-	Nm	r/min	mm										Nm	kg
05 D	33,3	10 000	8	23	67	86,0	36,0	24	25	5,8	33	16	9	1,1
	33,3	10 000	8	23	67	138,9	88,9	77	25	5,8	33	16	9	1,2
10 D	90,2	10 000	10	32	81	89,0	39,0	25	25	7,1	46	16	9	1,7
	90,2	10 000	10	32	81	138,9	88,9	75	25	7,1	46	16	9	1,9
15 D	176,0	10 000	10	35	93	105,0	47,0	30	29	8,4	51	24	22	2,7
	176,0	10 000	10	35	93	159,6	101,6	85	29	8,4	51	24	22	2,9
20 D	245,0	10 000	10	42	104	121,0	53,0	31	34	11,0	61	30	22	6,6
	245,0	10 000	10	42	104	195,0	127,0	105	34	11,0	61	30	22	4,1
25 D	421,0	8 300	16	50	126	144,0	62,0	40	41	11,2	71	27	41	6,6
	421,0	8 300	16	50	126	209,0	127,0	105	41	11,2	71	27	41	7,1
30 D	774,0	7 300	16	58	143	165,0	69,0	44	48	12,5	84	28	72	10,3
	774,0	7 300	16	58	143	223,0	127,0	102	48	12,5	84	28	72	10,8
35 D	1 274,0	6 200	25	74	168	192,0	78,0	46	57	16,0	106	26	72	15,6
	1 274,0	6 200	25	74	168	241,0	127,0	95	57	16,0	106	26	72	16,3
40 D	2 058,0	5 400	25	83	194	217,0	89,0	55	64	17,0	118	30	160	24,0
	2 058,0	5 400	25	83	194	267,7	139,7	106	64	17,0	118	30	160	24,7
45 D	3 332,0	4 900	45	90	214	249,0	97,0	51	76	22,8	137	34	160	31,5
	3 332,0	4 900	45	90	214	304,4	152,4	107	76	22,8	137	34	160	32,5
50 D	4 900,0	4 200	50	109	246	287,0	109,0	61	89	24,0	156	26	220	48,4
	4 900,0	4 200	50	109	246	355,8	177,8	130	89	24,0	156	26	220	50,0
55 D	5 880,0	3 800	50	118	276	338,0	134,0	82	102	26,0	169	42	570	73,9
	5 880,0	3 800	50	118	276	381,8	177,8	126	102	26,0	169	42	570	75,0

<sup>1)</sup> If higher speed required, contact SKF

<sup>2)</sup> For dimension C in type 4F, this varies depending on spacer length

<sup>3)</sup> Preferred standard spacer lengths to both ISO and ANSI standards are available.

**Disc couplings**  
W6 – 6 Bolt double



Size	Rated torque Speed <sup>1)</sup>		Bore diameter		Dimensions							Tightening torque	Coupling weight without bore and min. DBSE
	Nm	r/min	D Min.	Max.	A	B	BE <sup>3)</sup> Min.	C <sup>2)</sup>	F	G	H		
–			mm									Nm	kg
<b>00 D</b>	569	26 000	8	51	119	168	60	39,4	54	10,3	74	22	6,0
<b>01 D</b>	922	23 000	8	55	137	198	72	50,0	63	11,0	81	41	9,1
<b>02 D</b>	1 710	19 000	8	67	161	238	90	66,0	74	12,0	97	72	16,9
<b>03 D</b>	3 340	17 000	8	72	180	269	109	81,0	80	14,0	104	160	21,6
<b>04 D</b>	6 210	15 000	8	85	212	308	118	84,0	95	17,0	124	220	35,1
<b>05 D</b>	6 080	11 600	8	111	276	377	153	118,0	112	17,5	161	220	65,1
<b>10 D</b>	8 240	11 600	10	111	276	377	153	115,0	112	19,0	161	220	66,1
<b>15 D</b>	10 700	10 300	10	133	308	440	172	134,0	134	19,0	193	440	107,8
<b>20 D</b>	17 800	9 200	10	152	346	497	191	146,0	153	22,5	218	570	156,8
<b>25 D</b>	26 400	8 500	16	165	375	553	223	167,0	165	28,0	240	1 100	211,8
<b>30 D</b>	33 400	7 800	16	178	410	610	254	192,0	178	31,0	258	1 500	274,8
<b>35 D</b>	39 900	7 200	25	187	445	646	270	208,0	188	31,0	272	1 700	333,0
<b>40 D</b>	46 300	6 800	25	205	470	686	274	206,0	206	34,0	297	1 700	400,0
<b>45 D</b>	59 800	6 200	45	231	511	749	287	216,0	231	35,5	334	1 700	525,0
<b>50 D</b>	74 700	5 700	50	254	556	800	292	218,0	254	37,0	364	3 000	676,0
<b>55 D</b>	92 600	5 400	50	263	587	839	311	236,0	364	37,5	382	3 500	803,0
<b>60 D</b>	107 000	5 000	50	275	629	895	343	268,0	276	37,5	399	3 700	654,0
<b>65 D</b>	128 000	4 800	50	289	654	934	356	281,0	289	37,5	419	4 000	1095,0

<sup>1)</sup> If higher speed required, contact SKF

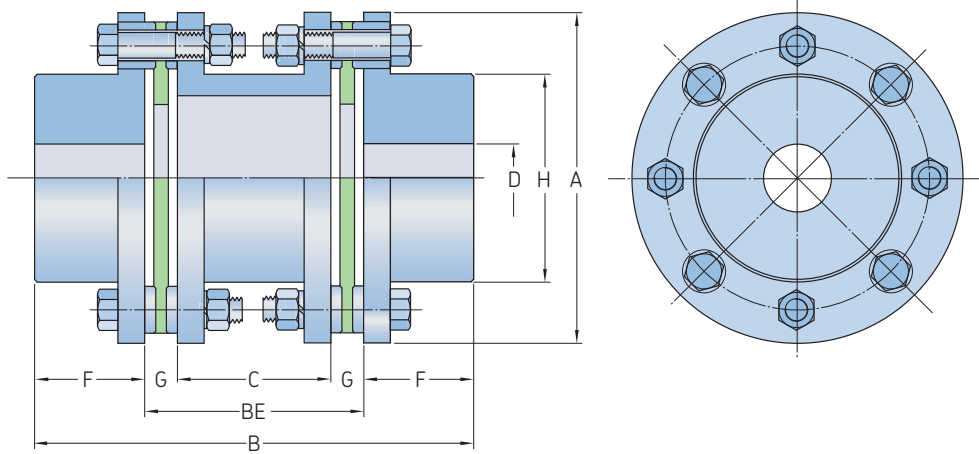
<sup>2)</sup> For dimensions B, C in type 6F, this varies depending on spacer length

<sup>3)</sup> Preferred standard spacer lengths to both ISO and ANSI standards are available.



## Disc couplings

### W8 – 8 Bolt double



Size	Rated torque Speed <sup>1)</sup>		Bore diameter		Dimensions							Tightening torque	Coupling weight without bore and min. DBSE <sup>3)</sup>
	Nm	r/min	D Min.	Max.	A	B <sup>2)</sup>	BE <sup>4) 5)</sup>	C <sup>2)</sup>	F	G	H		
–	Nm	r/min	mm									Nm	kg
<b>01 D</b>	3 840	15 000	8	95	214	333	117	92,6	108	12,2	137	72	38
<b>03 D</b>	7 120	13 000	8	108	246	369	127	99,6	121	13,7	156	160	56
<b>05 D</b>	8 970	11 600	8	111	276	421	153	118,0	134	17,5	161	220	73
<b>10 D</b>	11 800	11 600	10	111	276	421	153	115,0	134	19,0	161	220	74
<b>15 D</b>	15 400	10 300	10	133	308	492	172	134,0	160	19,0	193	440	120
<b>20 D</b>	25 600	9 200	10	152	346	557	191	148,0	183	21,5	218	570	175
<b>25 D</b>	37 800	8 500	16	165	375	619	223	175,0	198	24,0	240	1 100	234
<b>30 D</b>	47 800	7 800	16	178	410	682	254	195,0	214	29,5	258	1 500	305
<b>35 D</b>	57 100	7 200	25	187	445	720	270	211,0	225	29,5	272	1 700	368
<b>40 D</b>	64 400	6 800	25	205	470	768	274	212,0	247	31,0	297	1 700	448
<b>45 D</b>	83 700	6 200	45	231	511	843	287	223,0	278	32,0	334	1 700	592
<b>50 D</b>	103 000	5 700	50	254	556	902	292	227,0	305	32,5	364	3 000	762
<b>55 D</b>	128 000	5 400	50	263	587	945	311	243,0	317	34,0	382	3 500	902
<b>60 D</b>	149 000	5 000	50	275	629	1005	343	274,0	331	34,5	399	3 700	1068
<b>65 D</b>	178 000	4 800	50	289	654	1050	356	285,0	347	35,5	419	4 000	1231

<sup>1)</sup> If higher speed required, contact SKF.

<sup>2)</sup> For dimension B, C in type 6F, this varies depending on spacer length.

<sup>3)</sup> For coupling weight in type 4F, this varies depending on spacer length.

<sup>4)</sup> Maximum permissible Be will be determined and limited by operating speed.

<sup>5)</sup> Preferred standard spacer lengths to both ISO and ANSI standards are available.

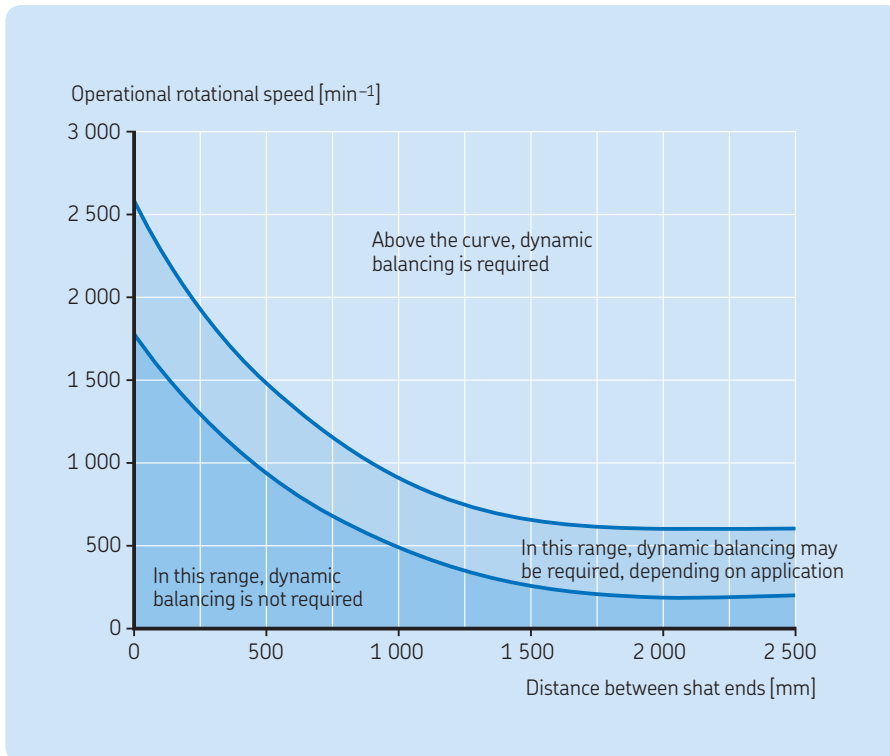
## Floating shaft disc couplings

SKF Floating shaft disc couplings transmit power between widely separated machine shafts, or where large parallel misalignment exists.

Allowable rotational speeds are determined, and limited, by the span and the balance condition of the coupling system. Balancing is necessary for high speeds and long shafts as indicated in the following tables 1 to 3.

Disc floating shaft couplings are also available for vertical applications with the addition of a vertical floating shaft kit.

- 1 Do not use floating shaft couplings with long, overhanging shafts.
- 2 Consult SKF for spans greater than 6 000 mm, or for speeds in excess of those indicated in the tables.



### W4F Speed

Size	Bore Max. r/min	Maximum distance between shaft ends (BE max) for various speeds								
		1 800	1 500	1 200	1 000	900	750	720	600	500
010	32	1 610	1 760	1 970	2 160	2 280	2 500	2 550	2 790	3 060
015	35	1 690	1 850	2 070	2 270	2 390	2 620	2 670	2 930	3 210
020	42	1 880	2 050	2 300	2 520	2 650	2 910	2 970	3 250	3 560
025	50	2 010	2 210	2 470	2 700	2 850	3 120	3 190	3 490	3 830
030	58	2 220	2 430	2 720	2 980	3 140	3 440	3 510	3 850	4 210
035	74	2 500	2 740	3 060	3 350	3 540	3 870	3 950	4 330	4 750
040	83	2 690	2 950	3 300	3 610	3 800	4 180	4 250	4 660	5 120
045	95	2 890	3 170	3 540	3 880	4 090	4 490	4 570	5 010	5 500
050	109	3 100	3 400	3 800	4 160	4 390	4 820	4 910	5 370	5 900
055	118	3 230	3 540	3 960	4 330	4 560	5 010	5 100	5 590	–

For BE dimensions over 6 000 mm, please contact SKF  
Floating shaft couplings should not be used with long overhang shafts

## Floating shaft disc couplings

### W6F Speed

Size	Bore	Maximum distance between shaft ends (BE max) for various speeds								
		1 800	1 500	1 200	1 000	900	750	720	600	500
Max.										
–	r/min	r/min								
<b>000</b>	51	2 010	2 210	2 470	2 700	2 850	3 120	3 190	3 490	3 830
<b>001</b>	55	2 220	2 430	2 720	2 980	3 140	3 440	3 510	3 850	4 210
<b>002</b>	67	2 500	2 740	3 060	3 350	3 540	3 870	3 950	4 330	4 750
<b>003</b>	72	2 890	3 170	3 540	3 880	4 090	4 490	4 570	5 010	5 500
<b>004</b>	85	3 100	3 400	3 800	4 160	4 390	4 820	4 910	5 370	5 900
<b>005</b>	111	3 100	3 400	3 800	4 160	4 390	4 820	4 910	5 370	5 900
<b>010</b>	111	3 100	3 540	3 800	4 160	4 390	4 820	4 910	5 370	5 900
<b>015</b>	133	3 230	3 540	3 960	4 330	4 560	5 010	5 100	5 590	–
<b>020</b>	152	3 720	4 070	4 560	4 990	5 250	5 770	5 880	–	–
<b>025</b>	165	3 720	4 070	4 560	4 990	5 250	5 770	5 880	–	–
<b>030</b>	178	3 860	4 030	4 510	4 940	5 200	5 710	5 810	–	–
<b>035</b>	187	4 140	4 540	5 070	5 560	5 850	–	–	–	–
<b>040</b>	205	4 140	4 540	5 070	5 560	5 850	–	–	–	–
<b>045</b>	231	4 530	4 960	5 540	–	–	–	–	–	–
<b>050</b>	254	4 790	5 240	5 860	–	–	–	–	–	–
<b>055</b>	263	4 790	5 240	5 860	–	–	–	–	–	–
<b>060</b>	275	4 790	5 240	5 860	–	–	–	–	–	–
<b>065</b>	289	5 120	5 600	–	–	–	–	–	–	–

For BE dimensions over 6 000 mm, please contact SKF  
Floating shaft couplings should not be used with long overhang shafts

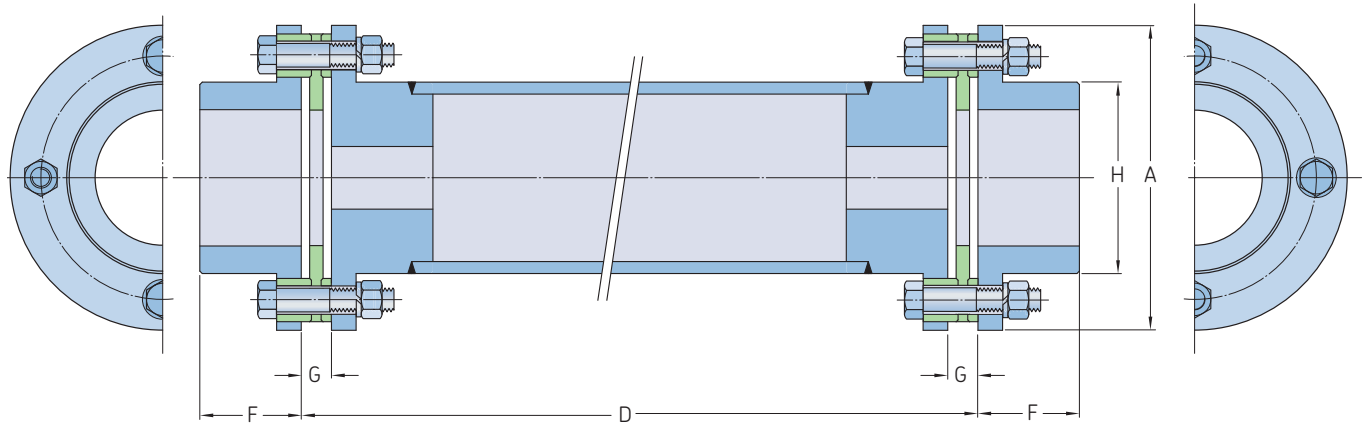
### W8F Speed

Size	Bore	Maximum distance between shaft ends (BE max) for various speeds								
		1 800	1 500	1 200	1 000	900	750	720	600	500
Max.										
–	r/min	r/min								
<b>001</b>	95	2 890	3 170	3 540	3 880	4 090	4 490	4 570	5 010	5 500
<b>003</b>	108	3 100	3 400	3 800	4 160	4 390	4 820	4 910	5 370	5 900
<b>005</b>	111	3 100	3 400	3 800	4 160	4 390	4 820	4 910	5 370	5 900
<b>010</b>	111	3 100	3 400	3 800	4 160	4 390	4 820	4 910	5 370	5 900
<b>015</b>	133	3 230	3 450	3 960	4 330	4 560	5 010	5 100	5 590	–
<b>020</b>	152	3 720	4 070	4 560	4 990	5 250	5 770	5 880	–	–
<b>025</b>	165	3 680	4 030	4 510	4 940	5 200	5 710	5 810	–	–
<b>030</b>	178	3 680	4 030	4 510	4 940	5 200	5 710	5 810	–	–
<b>035</b>	187	4 100	4 490	5 020	5 500	5 790	–	–	–	–
<b>040</b>	205	4 100	4 490	5 020	5 500	5 790	–	–	–	–
<b>045</b>	231	4 480	4 900	5 480	6 010	–	–	–	–	–
<b>050</b>	254	4 730	5 180	5 800	–	–	–	–	–	–
<b>055</b>	263	4 730	5 180	5 800	–	–	–	–	–	–
<b>060</b>	275	4 730	5 180	5 800	–	–	–	–	–	–
<b>065</b>	289	5 060	5 540	–	–	–	–	–	–	–

For BE dimensions over 6 000 mm, please contact SKF  
Floating shaft couplings should not be used with long overhang shafts

# Disc couplings

## W4 FH – Floating shaft



Size	Rated torque <sup>2)</sup>	Speed <sup>1)</sup> Max.	Bore diameter		Dimensions						Tightening torque	Coupling weight without bore and min. DBSE	
			D Min.	Max.	A	BE <sup>3)</sup> Min.	F	G	H	J			C
–	Nm	r/min	mm								Nm	kg	
10 FH	90,2	10 000	10	32	81	72	25	7,1	46	16	Dimension varies on BE required	9	Weight varies on length of spacer C
15 FH	176,0	10 000	10	35	93	76	29	8,4	51	24		22	
20 FH	245,0	10 000	10	42	104	88	34	11,0	61	30		22	
25 FH	421,0	8 300	16	50	126	99	41	11,2	71	27	41		
30 FH	774,0	7 300	16	58	143	111	48	12,5	84	28	72		
35 FH	1 274,0	6 200	25	74	168	142	57	16,0	106	26	72		
40 FH	2 058,0	5 400	25	83	194	154	64	17,0	118	30	160		
45 FH	3 332,0	4 900	45	90	214	183	76	22,8	137	34	160		
50 FH	4 900,0	4 200	50	109	246	211	89	24,0	156	26	220		
55 FH	5 880,0	3 800	50	118	276	234	102	26,0	169	42	570		

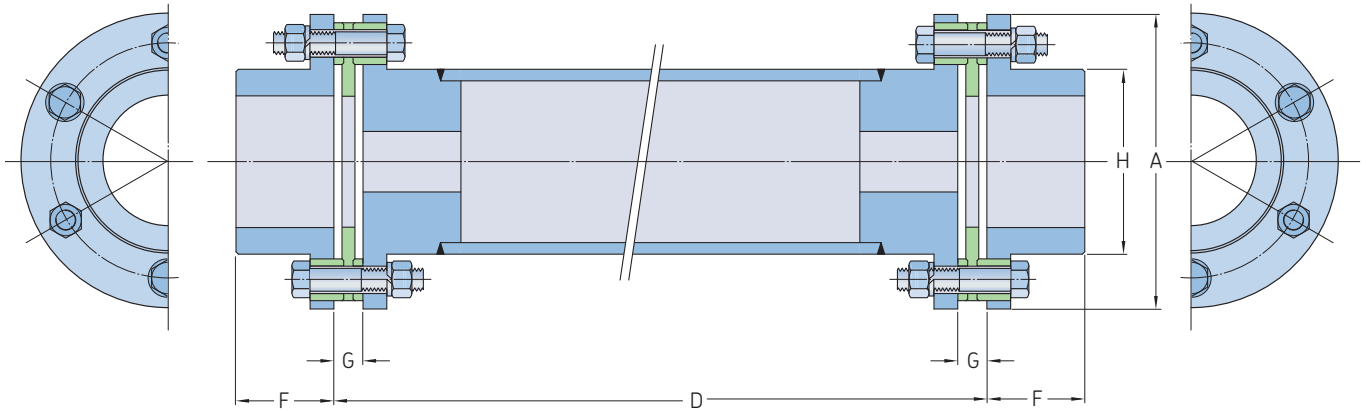
<sup>1)</sup> Maximum rotational speed (r/min) is based on parallel misalignment no more than 2/1 000

<sup>2)</sup> Rated torque is a maximum figure

<sup>3)</sup> For BE dimensions over 6 000 mm, please contact SKF

## Disc couplings

W6 FH – Floating shaft

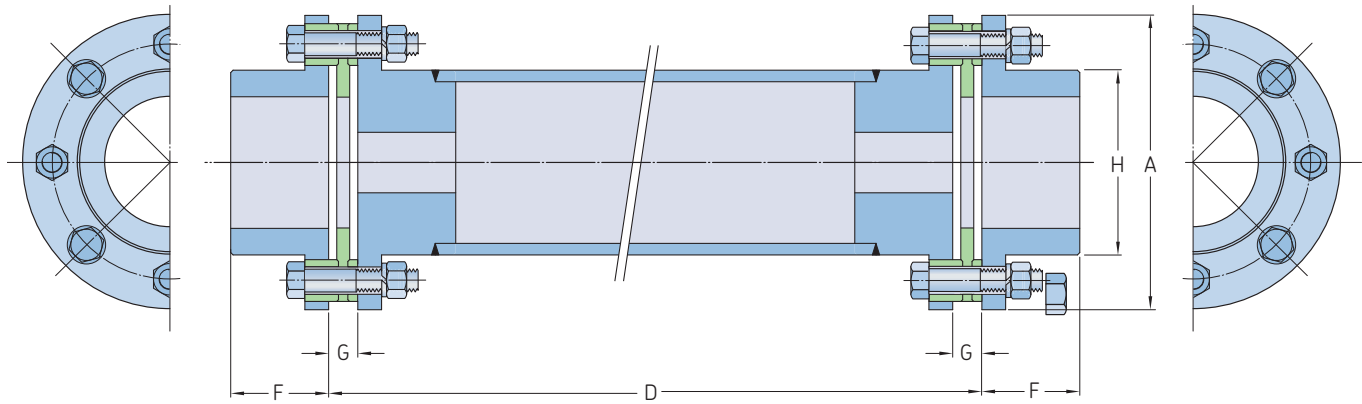


Size	Rated torque <sup>2)</sup>	Speed <sup>1)</sup>	Bore diameter		Dimensions					Tightening torque	Coupling weight without bore and min. DBSE
			D Min.	Max.	A	BE	F	G	H		
	Nm	r/min	mm							Nm	kg
00 FH	569	26 000	8	51	119	60	54	10,3	74	22	6,0
01 FH	922	23 000	8	55	137	72	63	11,0	81	41	9,1
02 FH	1 710	19 000	8	67	161	90	74	12,0	97	72	16,9
03 FH	3 340	17 000	8	72	180	109	80	14,0	104	160	21,6
04 FH	6 210	15 000	8	85	212	118	95	17,0	124	220	35,1
05 FH	6 080	11 600	8	111	276	153	112	17,5	161	220	65,1
10 FH	8 240	11 600	10	111	276	153	112	19,0	161	220	66,1
15 FH	10 700	10 300	10	133	308	172	134	19,0	193	440	107,8
20 FH	17 800	9 200	10	152	346	191	153	22,5	218	570	156,1
25 FH	26 400	8 500	16	165	375	223	165	28,0	240	1 100	211,8
30 FH	33 400	7 800	16	178	410	254	178	31,0	258	1 500	274,5
35 FH	39 900	7 200	25	187	445	270	188	31,0	272	1 700	333,3
40 FH	46 300	6 800	25	205	470	274	206	34,0	297	1 700	399,2
45 FH	59 800	6 200	45	231	511	287	231	35,5	334	1 700	525,3
50 FH	74 700	5 700	50	254	556	292	254	37,0	364	3 000	676,3
55 FH	92 600	5 400	50	263	587	311	263	37,5	382	3 500	803,4
60 FH	107 000	5 000	50	275	629	343	231	37,5	399	3 700	954,1
65 FH	128 000	4 800	50	289	654	356	254	37,5	419	4 000	1 095,3

<sup>1)</sup> Maximum rotational speed (r/min) is based on parallel misalignment no more than 2/1 000  
<sup>2)</sup> Rated torque is a maximum figure

# Disc couplings

## W8 FH – Floating shaft



Size	Rated torque <sup>2)</sup> Nm	Speed <sup>1)</sup> r/min	Bore diameter mm		Dimensions					Tightening torque Nm	Coupling weight without bore and min. DBSE kg
			D Min.	Max.	A	BE <sup>4)</sup>	F	G	H		
01FH	3 840	15 000	8	51	119	240	54	10,3	74	22	6,0
03FH	7 120	13 000	8	55	137	269	63	11,0	81	41	9,1
05FH	8 970	11 600	8	67	161	255	74	12,0	97	72	16,9
10FH	11 800	11 600	8	72	180	258	80	14,0	104	160	21,6
15FH	15 400	10 300	8	85	212	278	95	17,0	124	220	35,1
20FH	25 600	9 200	10	111	276	283	112	17,5	161	220	65,1
25FH	37 800	8 500	16	111	276	308	112	19,0	161	220	66,1
30FH	47 800	7 800	16	133	308	319	134	19,0	193	440	107,8
35FH	57 100	7 200	25	152	346	339	153	22,5	218	570	156,1
40FH	64 400	6 800	25	165	375	342	165	28,0	240	1 100	211,8
45FH	83 700	6 200	45	178	410	364	178	31,0	258	1 500	274,5
50FH	103 000	5 700	50	187	445	365	188	31,0	272	1 700	333,3
55FH	128 000	5 400	50	205	470	408	206	34,0	297	1 700	399,2
60FH	149 000	5 000	50	231	511	— <sup>3)</sup>	231	35,5	334	1 700	525,3
65FH	178 000	4 800	50	254	556	— <sup>3)</sup>	254	37,0	364	3 000	676,3

<sup>1)</sup> Maximum rotational speed (r/min) is based on parallel misalignment no more than 2/1 000

<sup>2)</sup> Rated torque is a maximum figure

<sup>3)</sup> The actual BE value will be determined by the customer

<sup>4)</sup> For BE dimensions over 6 000 mm, please contact SKF

Floating shaft couplings should not be used with long overhang shafts

## SKF Flex couplings

SKF Flex couplings are designed to accommodate misalignment and shock loads and dampen vibration levels. These easy to install, maintenance-free couplings are available with either a machined-to-size or tapered bore.

Couplings with a tapered bore can be Face (F) mounted or Hub (H) mounted. The more versatile Reversible (R) design can be either face or hub mounted depending on the application. These couplings are also available with a tapered bushing.

SKF Flex couplings consist of 2 flanges and 1 tyre. The flanges are phosphate coated for improved corrosion resistance. The addition of a standard sized spacer flange can be used to accommodate applications where it is advantageous to move either shaft axially without disturbing driving or driven machines.

SKF Flex tyres are available in natural rubber compounds for applications ranging from -50 to +50 °C. Chloroprene rubber compounds should be used in applications where exposure to greases and oils are likely. These compounds can accommodate temperatures ranging from -15 to +70 °C. The chloroprene tyres should be used where fire-resistance and anti-static (F.R.A.S.) properties are required.

### Assembled coupling characteristics

Coupling size	Maximum speed	Mass tyre	Inertia	Torsional stiffness	Misalignment			Nominal torque	Max torque	Screw size	Clamping screw torque
					Angular	Parallel	Axial				
–	r/min	kg	kg/m <sup>2</sup>	Nm/°	°	mm		Nm	–	Nm	
40	4 500	0,1	0,00074	5	4	1,1	1,3	24	64	M6	15
50	4 500	0,3	0,00115	13	4	1,3	1,7	66	160	M6	15
60	4 000	0,5	0,0052	26	4	1,6	2,0	127	318	M6	15
70	3 600	0,7	0,009	41	4	1,9	2,3	250	487	M8	24
80	3 100	1,0	0,017	63	4	2,1	2,6	375	759	M8	24
90	3 000	1,1	0,031	91	4	2,4	3,0	500	1 096	M10	40
100	2 600	1,1	0,054	126	4	2,6	3,3	675	1 517	M10	40
110	2 300	1,4	0,078	178	4	2,9	3,7	875	2 137	M10	40
120	2 050	2,3	0,013	296	4	3,2	4,0	1 330	3 547	M12	50
140	1 800	2,6	0,255	470	4	3,7	4,6	2 325	5 642	M12	55
160	1 600	3,4	0,38	778	4	4,2	5,3	3 770	9 339	M16	80
180	1 500	7,7	0,847	1 371	4	4,8	6,0	6 270	16 455	M16	105
200	1 300	8,0	1,281	1 959	4	5,3	6,6	9 325	23 508	M16	120
220	1 100	10,0	2,104	2 760	4	5,8	7,3	11 600	33 125	M20	165
250	1 000	15,0	3,505	3 562	4	6,6	8,2	14 675	42 740	M20	165

### Order data

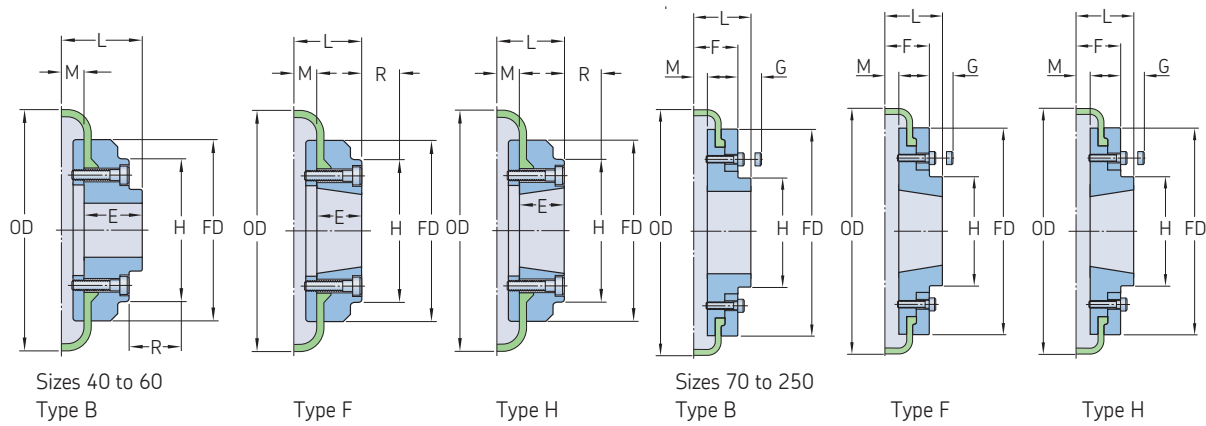
Coupling type	Flanges	Qty	Element	Qty	Coupling bushing number	Qty	Spacer flange and shaft <sup>1)</sup>	Qty	Spacer bushing number	Qty
RSB both sides	PHE F70RSBFLG	2	PHE F70NRTYRE or	1	–	–	–	–	–	–
	–	–	PHE F70FRTYRE	–	–	–	–	–	–	–
RSB/F combination	PHE F70RSBFLG	1	PHE F70NRTYRE or	1	–	–	–	–	–	–
	PHE F70FTBFLG	1	PHE F70FRTYRE	–	PHF TB2012X...MM	1	PHE SM25...DBSE	1	PHF 2517X...MM	1
RSB/H combination	PHE F70RSBFLG	1	PHE F70NRTYRE or	1	–	–	–	–	–	–
	PHE F70HTBFLG	1	PHE F70FRTYRE	–	PHF TB1610X...MM	1	PHE SM25...DBSE	1	PHF 2517X...MM	1
F/F combination	PHE F70FTBFLG	1	PHE F70NRTYRE or	1	PHF TB2012X...MM	1	PHE SM25...DBSE	1	PHF 2517X...MM	1
	PHE F70HTBFLG	1	PHE F70FRTYRE	–	PHF TB2012X...MM	1	–	–	–	–
H/H combination	PHE F70HTBFLG	1	PHE F70NRTYRE or	1	PHF TB1610X...MM	1	PHE SM25...DBSE	1	PHF 2517X...MM	1
	PHE F70HTBFLG	1	PHE F70FRTYRE	–	PHF TB1610X...MM	1	–	–	–	–
F/H combination	PHE F70FTBFLG	1	PHE F70NRTYRE or	1	PHF TB1610X...MM	1	PHE SM25...DBSE	1	PHF 2517X...MM	1
	PHE F70HTBFLG	1	PHE F70FRTYRE	–	PHF TB2012X...MM	1	–	–	–	–
Reversible	PHE F70RTBFLG	2	PHE F70NRTYRE	1	PHF TB1610X...MM	2	–	–	–	–

<sup>1)</sup> To complete designation, add distance between shaft ends. PHE SM25-100DBSE.

An SKF Flex coupling consists of 2 flanges and 1 tyre. An SKF Flex spacer coupling consists of 2 flanges, 1 tyre and 1 spacer (spacer part number consists of spacer shaft and rigid flange).

# SKF Flex couplings

## SKF Flex flanges types B, F and H



Size	Type	Bushing number	Bore		Dimensions Types F & H		Type B		Key screw	OD	FD	H	F	R <sup>1)</sup>	G <sup>2)</sup>	M	Mass	Inertia	Designation	Tyre designation		F.R.A.S
			Min.	Max.	L	E	L	E												Natural		
mm	-	-	mm														kg	kg/m <sup>2</sup>	-			
40	B	-	11	30	-	-	33,0	22	M5	104	82,0	-	-	29	-	11,0	0,8	0,000074	PHE F40RSBFLG	PHE F40NRTYRE	PHE F40FRTYRE	
40	F	1008	9	25	33,0	22	-	-	-	104	82,0	-	-	29	-	11,0	0,8	0,000074	PHE F40FTBFLG	PHE F40NRTYRE	PHE F40FRTYRE	
40	H	1008	9	25	33,0	22	-	-	-	104	82,0	-	-	29	-	11,0	0,8	0,000074	PHE F40HTBFLG	PHE F40NRTYRE	PHE F40FRTYRE	
50	B	-	16	38	-	-	45,0	32	M5	133	100,0	79	-	38	-	12,5	1,2	0,000115	PHE F50RSBFLG	PHE F50NRTYRE	PHE F50FRTYRE	
50	F	1210	11	32	37,5	25	-	-	-	133	100,0	79	-	38	-	12,5	1,2	0,000115	PHE F50FTBFLG	PHE F50NRTYRE	PHE F50FRTYRE	
50	H	1210	11	32	37,5	25	-	-	-	133	100,0	79	-	38	-	12,5	1,2	0,000115	PHE F50HTBFLG	PHE F50NRTYRE	PHE F50FRTYRE	
60	B	-	16	45	-	-	55,0	38	M6	165	125,0	70	-	38	-	16,5	2,0	0,000520	PHE F60RSBFLG	PHE F60NRTYRE	PHE F60FRTYRE	
60	F	1610	14	42	41,5	25	-	-	-	165	125,0	103	-	38	-	16,5	2,0	0,000520	PHE F60FTBFLG	PHE F60NRTYRE	PHE F60FRTYRE	
60	H	1610	14	42	41,5	25	-	-	-	165	125,0	103	-	38	-	16,5	2,0	0,000520	PHE F60HTBFLG	PHE F60NRTYRE	PHE F60FRTYRE	
70	B	-	17	60	-	-	47,0	35	M10	187	142,0	80	50	-	13	11,5	3,1	0,000900	PHE F70RSBFLG	PHE F70NRTYRE	PHE F70FRTYRE	
70	F	2012	14	50	43,5	32	-	-	-	187	142,0	80	50	42	13	11,5	3,1	0,000900	PHE F70FTBFLG	PHE F70NRTYRE	PHE F70FRTYRE	
70	H	1610	14	42	36,5	25	-	-	-	187	142,0	80	50	38	13	11,5	3,0	0,000900	PHE F70HTBFLG	PHE F70NRTYRE	PHE F70FRTYRE	
80	B	-	23	63	-	-	55,0	42	M10	211	165,0	98	54	-	16	12,5	4,9	0,018000	PHE F80RSBFLG	PHE F80NRTYRE	PHE F80FRTYRE	
80	F	2517	16	60	57,5	45	-	-	-	211	165,0	97	54	48	16	12,5	4,9	0,018000	PHE F80FTBFLG	PHE F80NRTYRE	PHE F80FRTYRE	
80	H	2012	14	50	44,5	32	-	-	-	211	165,0	98	54	32	16	12,5	4,6	0,017000	PHE F80HTBFLG	PHE F80NRTYRE	PHE F80FRTYRE	
90	B	-	30	75	-	-	62,5	49	M12	235	187,0	112	60	-	16	13,5	7,1	0,032000	PHE F90RSBFLG	PHE F90NRTYRE	PHE F90FRTYRE	
90	F	2517	16	60	58,5	45	-	-	-	235	187,0	108	60	48	16	13,5	7,0	0,031000	PHE F90FTBFLG	PHE F90NRTYRE	PHE F90FRTYRE	
90	H	2517	16	60	58,5	45	-	-	-	235	187,0	108	60	48	16	13,5	7,0	0,031000	PHE F90HTBFLG	PHE F90NRTYRE	PHE F90FRTYRE	
100	B	-	30	80	-	-	69,5	56	M12	254	214,0	125	62	-	16	13,5	9,9	0,055000	PHE F100RSBFLG	PHE F100NRTYRE	PHE F100FRTYRE	
100	F	3020	25	75	64,5	51	-	-	-	254	214,0	120	62	55	16	13,5	9,9	0,055000	PHE F100FTBFLG	PHE F100NRTYRE	PHE F100FRTYRE	
100	H	2517	16	60	58,5	45	-	-	-	254	214,0	113	62	48	16	13,5	9,4	0,054000	PHE F100HTBFLG	PHE F100NRTYRE	PHE F100FRTYRE	
110	B	-	30	90	-	-	75,5	63	M12	279	232,0	128	62	-	16	12,5	12,5	0,081000	PHE F110RSBFLG	PHE F110NRTYRE	PHE F110FRTYRE	
110	F	3020	25	75	63,5	51	-	-	-	279	232,0	134	62	55	16	12,5	11,7	0,078000	PHE F110FTBFLG	PHE F110NRTYRE	PHE F110FRTYRE	
110	H	3020	25	75	63,5	51	-	-	-	279	232,0	134	62	55	16	12,5	11,7	0,078000	PHE F110HTBFLG	PHE F110NRTYRE	PHE F110FRTYRE	
120	B	-	36	100	-	-	84,5	70	M16	314	262,0	143	67	-	16	14,5	16,9	0,137000	PHE F120RSBFLG	PHE F120NRTYRE	PHE F120FRTYRE	
120	F	3525	35	100	79,5	65	-	-	-	314	262,0	140	67	67	16	14,5	16,5	0,137000	PHE F120FTBFLG	PHE F120NRTYRE	PHE F120FRTYRE	
120	H	3020	25	75	65,5	51	-	-	-	314	262,0	140	67	55	16	14,5	15,9	0,130000	PHE F120HTBFLG	PHE F120NRTYRE	PHE F120FRTYRE	
140	B	-	60	125	-	-	110,5	94	M20	359	312,5	180	73	-	17	16,0	22,2	0,254000	PHE F140RSBFLG	PHE F140NRTYRE	PHE F140FRTYRE	
140	F	3525	35	100	81,0	65	-	-	-	359	312,5	180	73	67	17	16,0	22,3	0,255000	PHE F140FTBFLG	PHE F140NRTYRE	PHE F140FRTYRE	
140	H	3525	35	100	81,0	65	-	-	-	359	312,5	180	73	67	17	16,0	22,3	0,255000	PHE F140HTBFLG	PHE F140NRTYRE	PHE F140FRTYRE	
160	B	-	65	140	-	-	117,0	102	M20	402	348,0	197	78	-	19	15,0	35,8	0,469000	PHE F160RSBFLG	PHE F160NRTYRE	PHE F160FRTYRE	
160	F	4030	40	115	91,0	76	-	-	-	402	348,0	197	78	80	19	15,0	32,5	0,380000	PHE F160FTBFLG	PHE F160NRTYRE	PHE F160FRTYRE	
160	H	4030	40	115	91,0	76	-	-	-	402	348,0	197	78	80	19	15,0	32,5	0,380000	PHE F160HTBFLG	PHE F160NRTYRE	PHE F160FRTYRE	
180	B	-	70	150	-	-	137,0	114	M20	470	396,0	205	94	-	19	23,0	49,1	0,871000	PHE F180RSBFLG	PHE F180NRTYRE	PHE F180FRTYRE	
180	F	4535	55	125	112,0	89	-	-	-	470	396,0	205	94	89	19	23,0	42,2	0,847000	PHE F180FTBFLG	PHE F180NRTYRE	PHE F180FRTYRE	
180	H	4535	55	125	112,0	89	-	-	-	470	396,0	205	94	89	19	23,0	42,2	0,847000	PHE F180HTBFLG	PHE F180NRTYRE	PHE F180FRTYRE	
200	B	-	75	150	-	-	138,0	114	M20	508	432,0	205	103	-	19	24,0	58,2	1,301000	PHE F200RSBFLG	PHE F200NRTYRE	PHE F200FRTYRE	
200	F	4535	55	125	113,0	89	-	-	-	508	432,0	205	103	89	19	24,0	53,6	1,281000	PHE F200FTBFLG	PHE F200NRTYRE	PHE F200FRTYRE	
200	H	4535	55	125	113,0	89	-	-	-	508	432,0	205	103	89	19	24,0	53,6	1,281000	PHE F200HTBFLG	PHE F200NRTYRE	PHE F200FRTYRE	
220	B	-	80	160	-	-	154,5	127	M20	562	472,0	224	118	-	20	27,5	79,6	2,142000	PHE F220RSBFLG	PHE F220NRTYRE	PHE F220FRTYRE	
220	F	5040	70	125	129,5	102	-	-	-	562	472,0	224	118	92	20	27,5	72,0	2,104000	PHE F220FTBFLG	PHE F220NRTYRE	PHE F220FRTYRE	
220	H	5040	70	125	129,5	102	-	-	-	562	472,0	224	118	92	20	27,5	72,0	2,104000	PHE F220HTBFLG	PHE F220NRTYRE	PHE F220FRTYRE	
250	B	-	90	190	-	-	161,5	132	M20	628	532,0	254	125	-	25	29,5	104,0	3,505000	PHE F250RSBFLG	PHE F250NRTYRE	PHE F250FRTYRE	

<sup>1)</sup> The clearance required to allow tightening of the clamping screws and the taper bushing. Use of a shortened wrench will reduce this dimension.

<sup>2)</sup> The amount by which the clamping screws need to be withdrawn to release the tyre.

For coupling sizes 70, 80, 100 and 120, "F" flanges require a larger bushing than "H" flanges.

Mass and inertia figures are for a single flange with midrange bore and include clamping ring, screws, washers and half tyre.

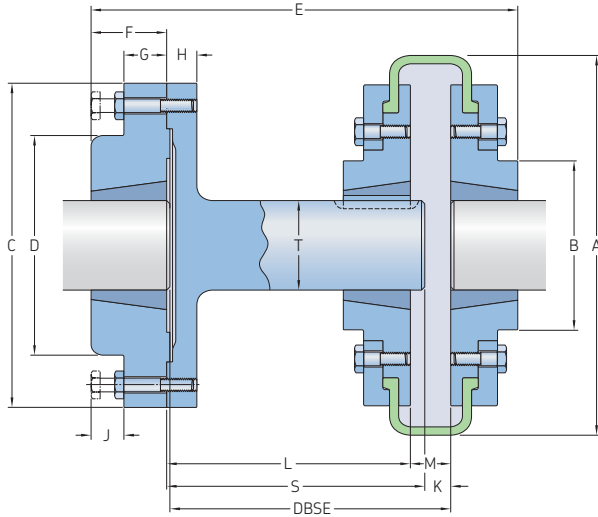


## SKF Flex spacer coupling

The SKF Flex coupling spacer is used to join two shafts ends that cannot be positioned close enough to allow use of just a coupling.

The spacer also allows removal of a shaft without the need to move either the driving or the driven machine. For example, this allows easy and fast replacement of impellers in pump applications.

Coupling size	Distance between shaft ends (DBSE) Nominal		Spacer bushing number	Bore		Coupling bushing number	Bore		Designation
	Min.	Max.		Min.	Max.		Min.	Max.	
mm									
40	80	90	1210	11	32	1008	9	25	PHE SM12-80DBSE
40	100	110	1210	11	32	1008	9	25	PHE SM12-100DBSE
40	100	113	1615	14	42	1008	9	25	PHE SM16-100DBSE
40	140	150	1615	14	42	1008	9	25	PHE SM16-140DBSE
50	100	116	1615	14	42	1210	11	32	PHE SM16-100DBSE
50	140	156	1615	14	42	1210	11	32	PHE SM16-140DBSE
60	100	124	1615	14	42	1610	14	42	PHE SM16-100DBSE
60	140	164	1615	14	42	1610	14	42	PHE SM16-140DBSE
70	100	114	2517	16	60	2012	14	50	PHE SM25-100DBSE
70	140	154	2517	16	60	2012	14	50	PHE SM25-140DBSE
70	180	194	2517	16	60	2012	14	50	PHE SM25-180DBSE
80	100	117	2517	16	60	2517	16	60	PHE SM25-100DBSE
80	140	157	2517	16	60	2517	16	60	PHE SM25-140DBSE
80	180	197	2517	16	60	2517	16	60	PHE SM25-180DBSE
90	140	158	2517	16	60	2517	16	60	PHE SM25-140DBSE
90	180	198	2517	16	60	2517	16	60	PHE SM25-180DBSE
100	140	158	3020	25	75	3020	25	75	PHE SM30-140DBSE
100	180	198	3020	25	75	3020	25	75	PHE SM30-180DBSE
110	140	156	3020	25	75	3020	25	75	PHE SM30-140DBSE
110	180	196	3020	25	75	3020	25	75	PHE SM30-180DBSE
120	140	160	3525	35	100	3525	35	100	PHE SM35-140DBSE
120	180	200	3525	35	100	3525	35	100	PHE SM35-180DBSE
140	140	163	3525	35	100	3525	35	100	PHE SM35-140DBSE
140	180	203	3525	35	100	3525	35	100	PHE SM35-180DBSE



Coupling size	Dimensions														Designation
	A	B	C	D	E	F	G	H	J	K	L	M	S	T	
mm															-
40	104	82	118	83	134	25	14	15	14	6	65	22	77	25	PHE SM12-80DBSE
40	104	82	118	83	140	25	14	15	14	22	77	22	77	25	PHE SM12-100DBSE
40 <sup>1)</sup>	104	82	127	80	157	38	18	15	14	9	88	22	94	32	PHE SM16-100DBSE
40 <sup>1)</sup>	104	82	127	80	187	38	18	15	14	9	128	22	134	32	PHE SM16-140DBSE
50	133	79	127	80	160	38	18	15	14	9	85	25	94	32	PHE SM16-100DBSE
50	133	79	127	80	200	38	18	15	14	9	125	25	134	32	PHE SM16-140DBSE
60	165	103	127	80	161	38	18	15	14	9	78	33	94	32	PHE SM16-100DBSE
60	165	103	127	80	201	38	18	15	14	9	118	33	134	32	PHE SM16-140DBSE
70 <sup>2)</sup>	187	80	178	123	180	45	22	16	14	9	80	23	94	48	PHE SM25-100DBSE
70 <sup>2)</sup>	187	80	178	123	220	45	22	16	14	9	120	23	174	48	PHE SM25-140DBSE
70 <sup>2)</sup>	187	80	178	123	260	45	22	16	14	9	160	23	174	48	PHE SM25-180DBSE
80	211	95	178	123	193	45	22	16	14	9	78	25	94	48	PHE SM25-100DBSE
80	211	95	178	123	233	45	22	16	14	9	118	25	134	48	PHE SM25-140DBSE
80	211	95	178	123	273	45	22	16	14	9	158	25	174	48	PHE SM25-180DBSE
90	235	108	178	123	233	45	22	16	14	9	116	27	134	48	PHE SM25-140DBSE
90	235	108	178	123	273	45	22	16	14	9	156	27	174	48	PHE SM25-180DBSE
100	254	120	216	146	245	51	29	20	17	9	116	27	134	60	PHE SM30-140DBSE
100	254	120	216	146	285	51	29	20	17	9	156	27	174	60	PHE SM30-180DBSE
110	279	134	216	146	245	51	29	20	17	9	118	25	134	60	PHE SM30-140DBSE
110	279	134	216	146	285	51	29	20	17	9	158	25	174	60	PHE SM30-180DBSE
120	314	140	248	178	272	63	34	20	17	9	114	29	134	80	PHE SM35-140DBSE
120	314	140	248	178	312	63	34	20	17	9	154	29	174	80	PHE SM35-180DBSE
140	359	178	248	178	271	63	34	20	17	9	111	27	134	80	PHE SM35-140DBSE
140	359	178	248	178	312	63	34	20	17	9	151	27	174	80	PHE SM35-180DBSE

<sup>1)</sup> F40 "B" Flange must be used to fit spacer shaft  
<sup>2)</sup> "F" Flange must be used to fit spacer shaft

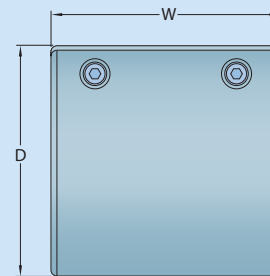
## Chain couplings

Chain couplings are able to transmit higher torque than their shafts, making them ideal for high torque applications. Available with a pilot bore, finished bore or tapered bushing (face or hub), flanges are linked together with duplex roller chains enabling them to accommodate up to 2 degrees of misalignment.

To provide maximum service life and reliability, particularly for high speed applications, SKF recommends fitting all chain couplings with a cover and lubricating them properly. If a chain coupling is to be subjected to reversing operations, shock or pulsating loads, or other severe operating conditions, select a coupling one size larger than normal.

### Coupling covers

Cover size	Aluminium		Weight	Plastic		Weight
	D	W		D	W	
–	mm		kg	mm		kg
<b>IS0816</b> <sup>1)</sup>	101,6	50,8	0,42	101,6	58,7	0,90
<b>IS1016</b> <sup>1)</sup>	130,2	60,3	0,59	130,2	66,7	1,32
<b>IS1018</b> <sup>1)</sup>	130,2	60,3	0,59	130,2	66,7	1,32
<b>IS1218</b> <sup>1)</sup>	161,9	74,6	1,20	175,0	77,8	1,98
<b>IS1220</b> <sup>1)</sup>	161,9	74,6	1,20	175,0	77,8	1,98
<b>IS1222</b> <sup>1)</sup>	208,0	101,6	1,45	175,0	77,8	2,22
<b>IS1618</b> <sup>1)</sup>	208,0	101,6	1,45	210,0	106,0	2,22
<b>IS1620</b> <sup>1)</sup>	208,0	101,6	1,45	210,0	106,0	2,22
<b>IS2018</b>	257,2	133,4	4,80	238,1	150,8	3,97
<b>IS2020</b>	257,2	133,4	4,80	257,2	133,4	5,74
<b>IS2418</b>	288,9	187,3	8,10	288,9	187,3	7,47
<b>IS2422</b>	336,6	201,6	9,20	336,6	201,6	8,85



<sup>1)</sup> Will be supplied in plastic unless otherwise specified

### Order data

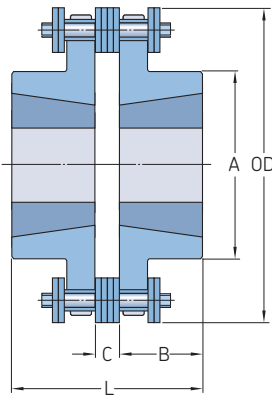
Size	Hub			Chain						Covers					
	Plain Bore	Qty	FTB <sup>1)</sup>	Qty	HTB <sup>1)</sup>	Qty	Bored to size <sup>2)</sup>	Qty	Qty	Qty	Qty				
<b>816</b>	PHE IS0816RSB	2	and/or	PHE IS0816FTB	2	and/or	PHE IS0816HTB	2	and/or	PHE IS0816X...	2	PHE IS0816CHN	1	PHE IS0816COVER	1
<b>1016</b>	PHE IS1016RSB	2	and/or	–	2	and/or	–	2	and/or	PHE IS1016X...	2	PHE IS1016CHN	1	PHE IS1016COVER	1
<b>1018</b>	PHE IS1018RSB	2	and/or	PHE IS1018FTB	2	and/or	PHE IS1018HTB	2	and/or	PHE IS1018X...	2	PHE IS1018CHN	1	PHE IS1018COVER	1
<b>1218</b>	PHE IS1218RSB	2	and/or	–	2	and/or	–	2	and/or	PHE IS1218X...	2	PHE IS1218CHN	1	PHE IS1218COVER	1
<b>1220</b>	PHE IS1220RSB	2	and/or	PHE IS1220FTB	2	and/or	PHE IS1220HTB	2	and/or	PHE IS1220X...	2	PHE IS1220CHN	1	PHE IS1220COVER	1
<b>1222</b>	PHE IS1222RSB	2	and/or	–	2	and/or	–	2	and/or	PHE IS1222X...	2	PHE IS1222CHN	1	PHE IS1222COVER	1
<b>1618</b>	PHE IS1618RSB	2	and/or	–	2	and/or	–	2	and/or	PHE IS1618X...	2	PHE IS1618CHN	1	PHE IS1618COVER	1
<b>1620</b>	PHE IS1620RSB	2	and/or	PHE IS1620FTB	2	and/or	PHE IS1620HTB	2	and/or	PHE IS1620X...	2	PHE IS1620CHN	1	PHE IS1620COVER	1
<b>2018</b>	PHE IS2018RSB	2	and/or	–	2	and/or	–	2	and/or	PHE IS2018X...	2	PHE IS2018CHN	1	PHE IS2018COVER	1
<b>2020</b>	PHE IS2020RSB	2	and/or	PHE IS2020FTB	2	and/or	PHE IS2020HTB	2	and/or	PHE IS2020X...	2	PHE IS2020CHN	1	PHE IS2020COVER	1
<b>2418</b>	PHE IS2418RSB	2	and/or	–	2	and/or	–	2	and/or	PHE IS2418X...	2	PHE IS2418CHN	1	PHE IS2418COVER	1
<b>2422</b>	PHE IS2422RSB	2	and/or	–	2	and/or	–	2	and/or	PHE IS2422X...	2	PHE IS2422CHN	1	PHE IS2422COVER	1

A complete chain coupling consists of: 2 hubs, 1 chain and 1 cover.

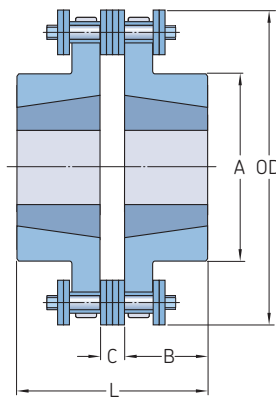
<sup>1)</sup> Following chain coupling taper bush assembly configurations are possible: 2 hubs HTB or 2 hubs FTB or 1 hub HTB and 1 hub FTB.

<sup>2)</sup> To complete bored to size designation, add bore size. For example: PHE IS1016X22MM designates hub size IS1016 with a 22 mm bore.

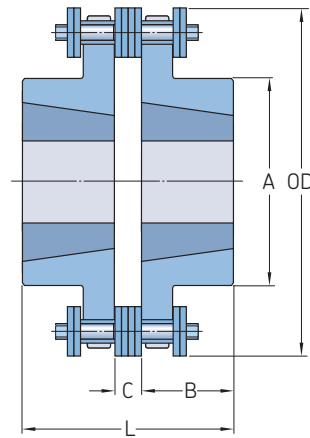
# Chain couplings



Assembly configuration HH



Assembly configuration FF



Assembly configuration FH

Coupling size	Bushing number	Bore		Dimensions					Mass	Speed	Nominal torque	Chain mass	Hub designation			Bored to size	
		Min.	Max.	A	B	C	L	OD					Plain bore	FTB	HTB		
-	-	mm							kg	r/min	Nm	kg	-				
0816	- 1108	15,9 12,7	23,8 28,6	50,0 50,0	28,96 22,20	7,1 7,1	65,0 51,6	77,0 77,0	0,45 0,41	5 000 5 000	294 294	0,23 0,23	PHE IS0816RSB -	- PHE IS0816FTB	- PHE IS0816HTB	-	PHE IS0816X...
1016	-	15,9	42,9	63,5	36,88	9,5	83,3	96,0	1,00	4 000	559	0,54	PHE IS1016RSB	-	-	-	PHE IS1016X...
1018	- 1610	19,1 12,7	50,8 41,3	75,4 75,4	43,26 25,40	9,5 9,5	87,1 60,3	106,4 106,4	1,59 0,50	3 600 3 600	706 706	0,59 0,59	PHE IS1018RSB -	- PHE IS1018FTB	- PHE IS1018HTB	-	PHE IS1018X...
1218	-	25,4	61,9	88,9	47,60	11,1	106,3	127,0	2,27	3 000	1 333	1,00	PHE IS1218RSB	-	-	-	PHE IS1218X...
1220	- 2012	28,6 12,7	69,9 50,8	98,4 98,4	50,80 31,80	11,1 11,1	112,7 74,6	139,7 139,7	2,95 1,23	2 500 2 500	1 559 1 559	1,18 1,18	PHE IS1220 -	- PHE IS1220FTB	- PHE IS1220HTB	-	PHE IS1220X...
1222	-	28,6	76,2	114,3	54,00	11,1	119,1	151,2	4,31	2 500	1 794	1,23	PHE IS1222RSB	-	-	-	PHE IS1222X...
1618	-	28,6	79,4	115,9	60,70	14,7	136,1	169,1	4,99	2 000	2 961	2,40	PHE IS1618RSB	-	-	-	PHE IS1618X...
1620	- 3020	38,1 23,8	90,5 76,2	136,5 136,5	66,10 50,00	14,7 14,7	146,9 116,3	185,3 185,3	7,40 2,77	2 000 2 000	3 579 3 579	2,68 2,68	PHE IS1620RSB -	- PHE IS1620FTB	- PHE IS1620HTB	-	PHE IS1620X...
2018	-	38,1	98,4	144,5	70,90	18,3	160,1	211,5	9,21	1 800	4 981	4,45	PHE IS2018RSB	-	-	-	PHE IS2018X...
2020	- 3535	38,1 30,2	117,5 88,9	170,7 170,7	79,80 88,90	18,3 18,3	177,9 196,1	231,8 231,8	14,43 8,62	1 800 1 800	6 688 6 688	4,95 4,95	PHE IS2020RSB -	- PHE IS2020FTB	- PHE IS2020HTB	-	PHE IS2020X...
2418	-	50,8	119,1	171,5	88,30	21,8	198,4	254,0	16,70	1 500	10 032	7,85	PHE IS2418RSB	-	-	-	PHE IS2418X...
2422	-	50,8	155,6	222,3	102,10	21,8	226,0	302,0	31,76	1 200	12 993	9,62	PHE IS2422RSB	-	-	-	PHE IS2422X...

## Rigid couplings

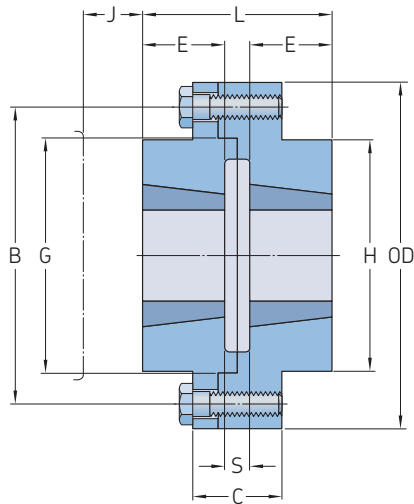
Taper bush rigid couplings provide a convenient method of rigidly connecting ends of shafts. Taper bushes permit easier and quicker fixing to the shafts with the firmness of a shrunk on fit. These couplings have a fully machined male and female flange. The male flange can have the bushing fitted from the hub side A (MH) or from the flange side B (H); the female flange (F) always has the bushing fitted from the flange side B. This gives two possible coupling assemblies: AB and BB. When connecting horizontal shafts, the most convenient assembly should be chosen. For connecting vertical shafts, use assembly BB only.

### Order data

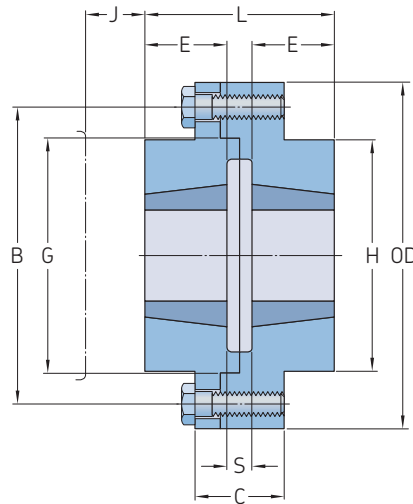
Coupling assembly	Male	Qty	Female	Qty	
A/B	PHE R12MHTB	1	PHE R12FTB	1	
	PHE R16MHTB	1	PHE R16FTB	1	
	PHE R25MHTB	1	PHE R25FTB	1	
	PHE R30MHTB	1	PHE R30FTB	1	
	PHE R35MHTB	1	PHE R35FTB	1	
	PHE R40MHTB	1	PHE R40FTB	1	
	PHE R45MHTB	1	PHE R45FTB	1	
	PHE R50MHTB	1	PHE R45FTB	1	
	B/B	PHE R12HTB	1	PHE R12FTB	1
		PHE R16HTB	1	PHE R16FTB	1
		PHE R25HTB	1	PHE R25FTB	1
		PHE R30HTB	1	PHE R30FTB	1
PHE R35HTB		1	PHE R35FTB	1	
PHE R40HTB		1	PHE R40FTB	1	
PHE R45HTB		1	PHE R45FTB	1	
PHE R50HTB		1	PHE R50FTB	1	

A complete coupling consists of one male and one female flange.  
 Example: Coupling assembly AB PHE R12MHTB and PHE R12FTB  
 Coupling assembly BB PHE R12HTB and PHE R12FTB

## Rigid couplings



Assembly configuration AB



Assembly configuration BB

Coupling size	Bushing data		Dimensions									Mass <sup>3)</sup>
	Bushing number	Bore	D	C	E	H	G	B	S <sup>1)</sup>	J <sup>2)</sup>	L	
–	–	Max.	mm									kg
R12	1210	32	118	35	25	83	76	102	7	38	57	3,5
R16	1615	42	127	43	38	80	89	105	7	38	83	4,5
R25	2517	60	178	51	45	123	127	149	7	48	97	11,0
R30	3020	75	216	65	51	146	152	181	7	54	109	20,0
R35	3525	100	248	75	65	178	178	213	7	67	137	34,0
R40	4030	110	298	76	76	210	216	257	7	79	159	59,0
R45	4535	125	330	86	89	230	241	246	7	89	185	80,0
R50	5040	125	362	92	102	266	267	314	7	92	211	135,0

<sup>1)</sup> J is the wrench clearance to allow for tightening and loosening the bushing on the shaft. The use of a shortened wrench will permit this dimension to be reduced

<sup>2)</sup> S is the distance between shaft ends

<sup>3)</sup> Mass given is for couplings with midrange taper bushings.

## FRC couplings

With a higher load capacity than jaw couplings and maintenance-free operation, FRC couplings are designed as a general purpose coupling. They are able to cushion moderate shock loads, dampen low levels of vibration and accommodate incidental misalignment. FRC couplings offer a range of hub and element selection to meet the demand for low cost, general purpose flexible coupling.

FRC couplings are phosphate coated for improved corrosion resistance and available with fire-resistant and anti-static elements (FRAS). FRC couplings are available with a pilot bore, finished bore or tapered bushing (face or hub) to make installation quick and simple.

Fully machined outside surfaces allow alignment with a simple straight edge. Shaft connections are fail safe due to their interlocking jaw design.

### Assembled coupling characteristics

Size	Assembled length comprising flange types			Mass	Inertia	Torsional stiffness	Misalignment			Nominal torque	Max torque
	FF,FH,HH	FB,HB	BB				Angular	Parallel	Axial		
–	mm			kg	kg/m <sup>2</sup>	Nm/°	°	mm		Nm	
<b>70</b>	65,0	65,0	65,0	1,00	0,00085	–	1	0,3	0,2	31,5	72
<b>90</b>	69,5	76,0	82,5	1,17	0,00115	–	1	0,3	0,5	80,0	180
<b>110</b>	82,0	100,5	119,0	5,00	0,004	65	1	0,3	0,6	160,0	360
<b>130</b>	89,0	110,0	131,0	5,46	0,0078	130	1	0,4	0,8	315,0	720
<b>150</b>	107,0	129,5	152,0	7,11	0,0181	175	1	0,4	0,9	600,0	1 500
<b>180</b>	142,0	165,5	189,0	16,60	0,0434	229	1	0,4	1,1	950,0	2 350
<b>230</b>	164,5	202,0	239,5	26,00	0,1207	587	1	0,5	1,3	2 000,0	5 000
<b>280</b>	207,5	246,5	285,5	50,00	0,4465	1 025	1	0,5	1,7	3 150,0	7 200

Mass is for an FF, FH or HH coupling with mid range taper bushes.

### Order data

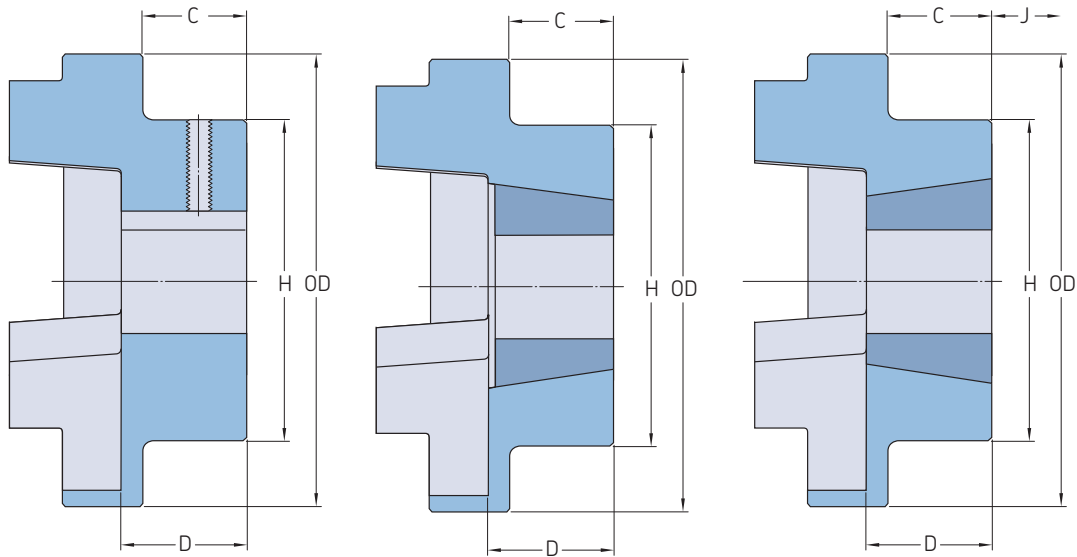
Coupling type	Flanges	Qty	Element	Qty	Taper bush	Qty
<b>RSB both sides</b>	PHE FRC70RSB –	2 –	PHE FRC70NR or PHE FRC70FR	1 –	– –	– –
<b>RSB/F Combination</b>	PHE FRC70RSB PHE FRC70FTB	1 1	PHE FRC70NR or PHE FRC70FR	1 –	PHF TB1008X...MM –	1 1
<b>RSB/H Combination</b>	PHE FRC70RSB PHE FRC70HTB	1 1	PHE FRC70NR or PHE FRC70FR	1 –	PHF TB1008X...MM –	1 1
<b>F/F Combination</b>	PHE FRC70FTB PHE FRC70FTB	1 1	PHE FRC70NR or PHE FRC70FR	1 –	PHF TB1008X...MM PHF TB1008X...MM	1 1
<b>H/H Combination</b>	PHE FRC70HTB PHE FRC70HTB	1 1	PHE FRC70NR or PHE FRC70FR	1 –	PHF TB1008X...MM PHF TB1008X...MM	1 1
<b>F/H Combination</b>	PHE FRC70FTB PHE FRC70HTB	1 1	PHE FRC70NR or PHE FRC70FR	1 –	PHF TB1008X...MM PHF TB1008X...MM	1 1

NR = Natural rubber

FR = Fire-resistant and anti-static (FRAS)

A complete FRC coupling consists of: 2 hubs and 1 element.

# FRC couplings



Coupling size	Dimensions		Bushing number Type F, H	Bore		C	D	J <sup>1)</sup>	Type B Bore Max.	Bore Pilot	Key screw	C	D
	OD	H		Min.	Max.								
–	mm												
<b>70</b>	69	60	1008	9	25	20,0	23,5	29	32	10	M6	20	25,8
<b>90</b>	85	70	1108	9	28	19,5	23,5	29	38	10	M6	26	30,0
<b>110</b>	112	100	1610	14	42	18,5	26,5	38	55	10	M10	37	45,3
<b>130</b>	130	105	1610	14	42	18,0	26,5	38	60	20	M10	39	47,5
<b>150</b>	150	115	2012	14	50	23,5	33,5	42	70	28	M10	46	60,0
<b>180</b>	180	125	2517	16	60	34,5	46,5	48	80	28	M10	58	70,0
<b>230</b>	225	155	3020	25	75	39,5	52,5	55	100	45	M12	77	90,0
<b>280</b>	275	206	3525	35	100	51,0	66,5	67	115	55	M16	90	105,5

<sup>1)</sup> Clearance required for tightening/loosening the bushing on the shaft



## Jaw couplings

Jaw couplings provide a cost-effective solution for standard power applications, helping to cushion moderate shock loads and dampen low vibration levels.

Maintenance-free and easy to install, jaw couplings are available with a snap wrap element allowing element replacement in situ.

Urethane and Hytrel® elements have a greater power rating than nitrile elements and are recommended for applications where a compact, high torque solution is required.

### Standard bore and keyway chart

Bore	Keyway	Coupling Size									
		50	70	75	90	95	100	110	150	190	225
mm											
9	3 x 1,4	X	X	X	X	-	-	-	-	-	-
10	3 x 1,4	X	X	X	X	-	-	-	-	-	-
11	4 x 1,8	X	X	X	X	-	-	-	-	-	-
12	4 x 1,8	X	X	X	X	X	-	-	-	-	-
14	5 x 2,3	X	X	X	X	X	X	-	-	-	-
15	5 x 2,3	-	X	X	X	X	X	-	-	-	-
16	5 x 2,3	-	X	X	X	X	X	X	-	-	-
17	5 x 2,3	-	X	X	X	X	X	X	X	-	-
18	6 x 2,8	-	X	X	X	X	X	X	X	-	-
19	6 x 2,8	-	X	X	X	X	X	X	X	X	-
20	6 x 2,8	-	-	X	X	X	X	X	X	X	-
22	6 x 2,8	-	-	X	X	X	X	X	X	X	-
24	8 x 3,3	-	-	-	X	X	X	X	X	X	X
25	8 x 3,3	-	-	-	-	X	X	X	X	X	X
28	8 x 3,3	-	-	-	-	X	X	X	X	X	X
30	8 x 3,3	-	-	-	-	-	X	X	X	X	X
32	10 x 3,3	-	-	-	-	-	X	X	X	X	X
35	10 x 3,3	-	-	-	-	-	X	X	X	X	X
38	10 x 3,3	-	-	-	-	-	X	X	X	X	X
40	12 x 3,3	-	-	-	-	-	-	X	X	X	X
42	12 x 3,3	-	-	-	-	-	-	X	X	X	X
45	14 x 3,8	-	-	-	-	-	-	-	X	X	X
48	14 x 3,8	-	-	-	-	-	-	-	X	X	X
50	14 x 3,8	-	-	-	-	-	-	-	-	X	X
55	16 x 4,3	-	-	-	-	-	-	-	-	X	X
60	18 x 4,4	-	-	-	-	-	-	-	-	-	X

### Order data

Coupling type	Flanges	Qty	Element	Qty	Spacer shaft	Qty	Nitrile wrap element	Qty	Ring kit	Qty
RSB both sides	PHE L095HUB	2	PHE L095NR or	1	PHE L090X ... SPACER	1	PHE L090NRWRAP	2	PHE L090RINGKIT	2
	-	-	PHE L095UR	-	-	-	-	-	-	-
	-	-	PHE L095HL	-	-	-	-	-	-	-
Bore with keyway/RSB combination	PHE L095HUB	1	PHE L095NR or	1	PHE L090X ... SPACER	1	PHE L090NRWRAP	2	PHE L090RINGKIT	2
	PHE L095 - ... MM	1	PHE L095UR	-	-	-	-	-	-	-
	-	-	PHE L095HL	-	-	-	-	-	-	-
Bore with keyway on both sides	PHE L095 - ... MM	2	PHE L095NR or	1	PHE L090X ... SPACER	1	PHE L090NRWRAP	2	PHE L090RINGKIT	2
	-	-	PHE L095UR	-	-	-	-	-	-	-
	-	-	PHE L095HL	-	-	-	-	-	-	-
Bore only/RSB combination	PHE L095 - ... MMP	1	PHE L095NR or	1	PHE L090X ... SPACER	1	PHE L090NRWRAP	2	PHE L090RINGKIT	2
	PHE L095HUB	1	PHE L095UR	-	-	-	-	-	-	-
	-	-	PHE L095HL	-	-	-	-	-	-	-
Bore only	PHE L095 - ... MMP	2	PHE L095NR or	1	PHE L090X ... SPACER	1	PHE L090NRWRAP	2	PHE L090RINGKIT	2
	-	-	PHE L095UR	-	-	-	-	-	-	-
	-	-	PHE L095HL	-	-	-	-	-	-	-
Bore only/bore with keyway combination	PHE L095 - ... MMP	1	PHE L095NR or	1	PHE L090X ... SPACER	1	PHE L090NRWRAP	2	PHE L090RINGKIT	2
	PHE L095 - ... MM	1	PHE L095UR	-	-	-	-	-	-	-
	-	-	PHE L095HL	-	-	-	-	-	-	-

NR = Nitrile  
UR = Urethane  
HL = Hytrel®

A complete jaw coupling consists of: 2 hubs and 1 element and a complete coupling with spacer consists of 2 hubs, 2 nitrile elements, 2 ring kits and 1 spacer.

Available spacer shaft lengths are 100 mm and 140 mm. To complete the designation, add spacer length. For example: PHE L090X100SPACER for spacer of 100 mm, coupling size 090.

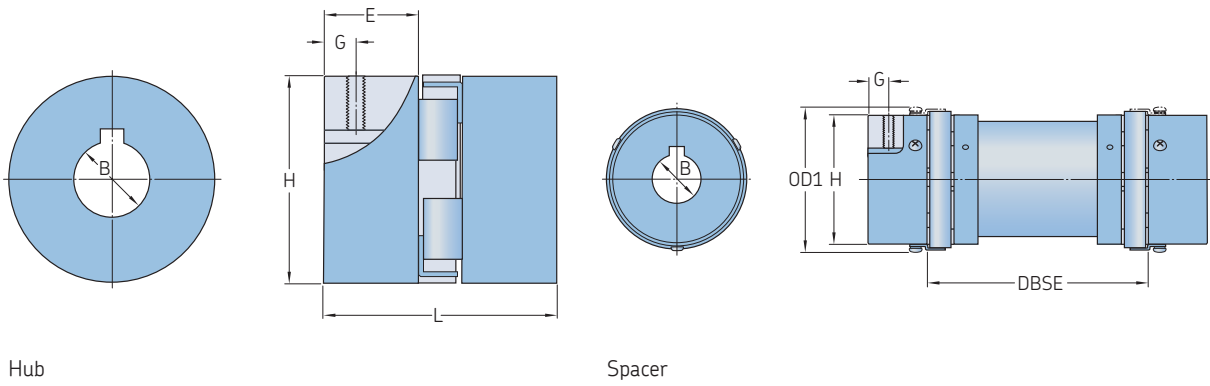
When ordering bored to size and keywayed hubs, it is required that the bore diameter is added to the designation found in the table above.

Where a keyway is NOT required, the designation should be suffixed with a P.

PHE L150-18MM = Hub Size 150 with 18 mm bore and keyway.

PHE L070-16MMP = Hub Size 070 with 16 mm bore (no keyway).

# Jaw couplings



Size	Dimensions								Set screw	Approx mass <sup>2)</sup>	Speed	Designation
	Bore	Pilot	Max.	OD	OD1 <sup>1)</sup>	L	E	H				
–	mm	–	–	–	–	–	–	–	–	kg	r/min	–
35	3,20	9,5	15,9	–	20,6	6,7	15,9	–	–	0,03	31 000	PHE L035HUB
50	6,35	14,0	27,5	–	44,0	16,0	27,5	6,5	M6	0,05	18 000	PHE L050HUB
70	6,35	19,0	35,0	–	51,0	19,0	35,0	9,5	M6	0,13	14 000	PHE L070HUB
75	6,35	24,0	44,5	–	54,0	21,0	44,5	9,0	M6	0,22	11 000	PHE L075HUB
90	6,35	24,0	54,0	–	54,0	21,0	54,0	8,7	M6	0,28	9 000	PHE L090HUB
95	11,11	28,0	54,0	64	64,0	25,0	54,0	11,0	M8	0,28	9 000	PHE L095HUB
100	12,70	35,0	65,0	77	89,0	35,0	65,0	11,0	M8	0,75	7 000	PHE L100HUB
110	15,87	42,0	84,0	97	108,0	43,0	84,0	19,0	M10	1,50	5 000	PHE L110HUB
150	15,87	48,0	96,0	112	115,0	45,0	96,0	22,0	M10	2,40	4 000	PHE L150HUB
190	19,05	55,0	115,0	130	133,0	54,0	102,0	22,0	M12	3,50	3 600	PHE L190HUB
225	19,05	60,0	127,0	143	153,0	64,0	108,0	29,0	M12	4,50	3 600	PHE L225HUB

<sup>1)</sup> Outer diameter of ring kit

<sup>2)</sup> Mass of hub with pilot bores

DBSE = Distance between shaft ends

Hub material is high grade cast iron. Spacer material is aluminium.

## Universal joints

SKF universal joints, also known as pin and block couplings, are commonly used for low to medium torque industrial, off-road and agricultural applications.

These couplings offer an economical solution for applications up to 1 800 r/min and will provide working angles of up to 25% or 35% for manual drives. SKF offers these couplings with a solid bore from stock; bored to size, square, hexagonal and round bores on request. The couplings are available in either a single (UJMA) or double (UJMB) configuration.

### Order data

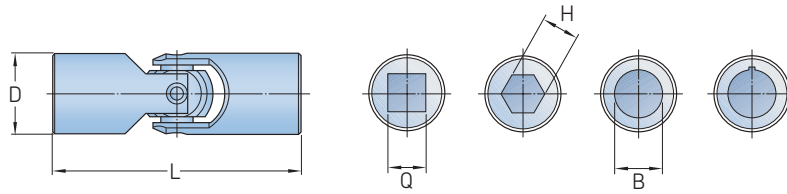
Universal joint type	Size	Qty
Single	PHE UJMA10	1
Double	PHE UJMB20	1

Available on request with finish bore, finish bore with keyway, hexagonal bore or square bore, e.g. the designations as shown below:

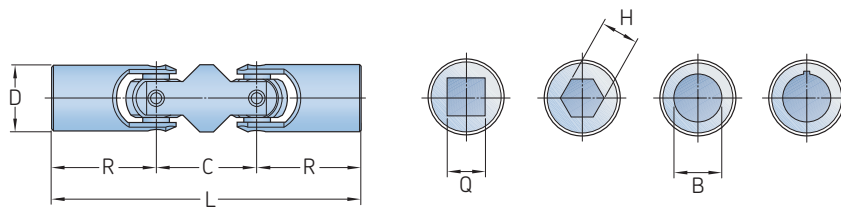
Universal joints with finish bore H7, with keyway (BSX30MM) – PHE UJMB45BSX30MM  
Universal joints with finish bore H7, without keyway (X30MM) – PHE UJMB45X30MM  
Universal joints with hexagonal bore (HBX30MM) – PHE UJMB45HBX30MM  
Universal joints with square bore (SBX30MM) – PHE UJMB45SBX30MM

# Universal joints

Single universal joints | Double universal joints



Size	Dimensions		Bore		Q	H	B Max.	B with keyway Max.	Static breaking torque	Designation
	L	D	B	B						
–	mm								Nm	–
10	38	10	6	6	6	6	6	–	13,5	PHE UJMA10
13	45	13	8	8	8	8	8	–	26,0	PHE UJMA13
16	52	16	8	8	8	8	10	8	45,0	PHE UJMA16
20	62	20	10	10	10	10	13	11	88,0	PHE UJMA20
25	74	25	12	12	12	12	16	14	180,0	PHE UJMA25
32	86	32	16	16	16	16	22	18	405,0	PHE UJMA32
40	108	40	20	20	20	20	25	22	860,0	PHE UJMA40
45	120	45	20	20	20	20	30	25	1 250,0	PHE UJMA45
50	132	50	25	25	25	25	35	30	1 730,0	PHE UJMA50
63	166	63	32	–	–	–	45	35	3 400,0	PHE UJMA63
75	190	75	40	–	–	–	55	45	5 300,0	PHE UJMA75



Size	Dimensions				Bore		Q	H	Static breaking torque	Designation	
	L	R	D	C	B	B Max.					
–	mm								Nm	–	
13	68	22,5	13	23	8	8	–	8	8	26	PHE UJMB13
16	77	26,0	16	25	8	10	8	8	8	45	PHE UJMB16
20	92	31,0	20	30	10	13	11	10	10	88	PHE UJMB20
25	110	37,0	25	36	12	16	14	12	12	180	PHE UJMB25
32	133	43,0	32	47	16	22	18	16	16	405	PHE UJMB32
40	164	54,0	40	56	20	25	22	20	20	860	PHE UJMB40
45	183	60,0	45	63	20	30	25	20	20	1 250	PHE UJMB45
50	202	66,0	50	70	25	35	30	25	25	1 730	PHE UJMB50
63	250	83,0	63	84	32	45	35	32	–	3 400	PHE UJMB63
75	290	95,0	75	100	40	55	45	40	–	5 300	PHE UJMB75





# Bushings and Hubs



Taper bushings ..... 150



Weld-on hubs..... 152



Bolt-on hubs / Adapters..... 153



QD Bushings..... 154



QD Weld-on hubs..... 156



FX keyless bushings..... 158





## SKF Bushings

SKF bushing range nomenclature has a defined prefix of PHF. The bushing range is covered by limited standards, but main SKF range is interchangeable with other brands.

## Bushings

The bushing range designation from SKF has the following is an example to indicate set up.

### SKF Designation prefix

PHF TB2517 X55MM

### Bushing size and type

Example:

TB2517 – taper bushing size 2517

M – QD series M

FX10 – FX friction bush series 10

### Supplementary

Bore sizes and dimensions

QD & taper bushing

X55MM – 55mm bore diameter standard keyway

-2<sup>-3</sup>/<sub>4</sub> – inch shaft 2<sup>-3</sup>/<sub>4</sub> with standard keyway

50X80 – FX bushing bore and OD dimensions

### Note

See SKF product training for full supplementary notations

## Bushings and Hubs (PHF Product Group)

SKF Taper bushings, QD bushings, Weld-on and Bolt-on hubs are manufactured according to established market standards and are fully interchangeable with other brands.

Metric bore keyway machined according to BS 4235: Part 1 and DIN 6885.

Imperial bore keyway machined according to BS 46: Part 1.

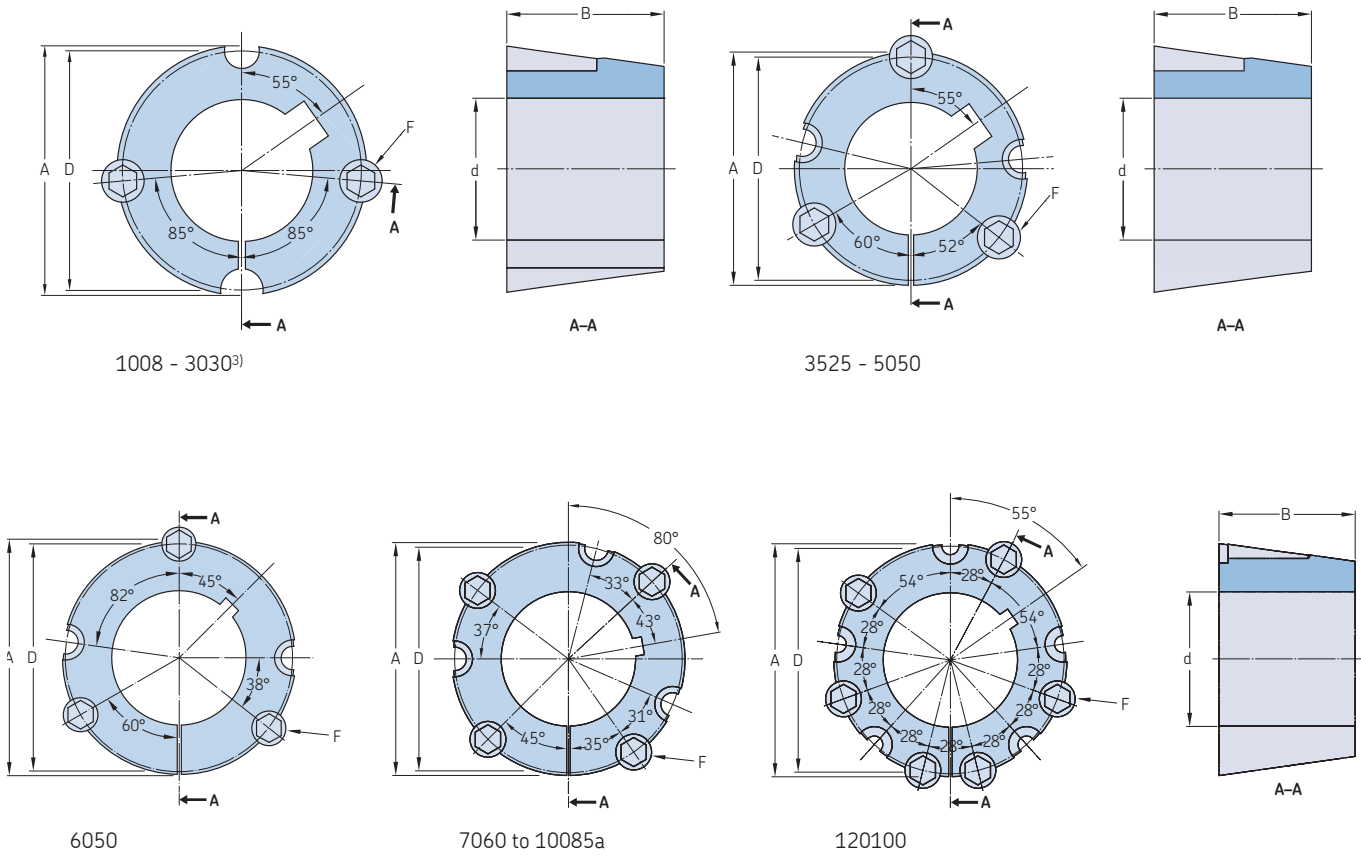
Phosphate coating and blackening are used to improved corrosion resistance, excluding FX bushings.

### Main materials used in bushings and hubs

Taper bushing	Grey cast iron HT250
QD bushing	Grey cast iron HT250
Weld on and Bolt on hubs	Grey cast iron HT250
FX Bushings	C45 Steel

# Taper bushings

Bushing number 1008 – 120100



Bushing number	Bore		Dimensions							Mass	Designation
	d Min.	Max.	A	B	D	E	F <sup>2)</sup>				
	mm	in.	mm	in.	mm				kg		
1008	9	3/8	25	1	35,2	22,2	33,7	–	6,350 x 12,700	0,05	PHF TB1008X...
1108	9	3/8	28	1 1/8	38,4	22,2	36,9	–	6,350 x 12,700	0,08	PHF TB1108X...
1210	11	1/2	32	1 1/4	47,6	25,4	44,5	–	9,525 x 15,875	0,19	PHF TB1210X...
1215	11	1/2	32	1 1/4	47,6	38,1	44,5	–	9,525 x 15,875	0,27	PHF TB1215X...
1610	14	1/2	42	1 5/8	57,2	25,4	54,0	–	9,525 x 15,875	0,31	PHF TB1610X...
1615	14	1/2	42	1 5/8	57,2	38,1	54,0	–	9,525 x 15,875	0,46	PHF TB1615X...
2012	14	1/2	50	2	69,9	31,8	66,7	–	11,113 x 22,225	0,65	PHF TB2012X...
2017	14	1/2	50	2	69,9	44,5	66,7	–	11,113 x 22,225	0,91	PHF TB2017X...
2517 <sup>1)</sup>	16	1/2	60	2 1/2	85,7	44,5	82,6	–	12,700 x 25,400	1,47	PHF TB2517X...
2525	16	1/2	60	2 1/2	85,7	63,5	82,6	–	12,700 x 25,400	4,30	PHF TB2525X...
3020	25	1	75	3	108,0	50,8	101,6	–	15,875 x 31,750	2,25	PHF TB3020X...
3030	35	1	75	3	108,0	76,2	101,6	–	15,875 x 31,750	3,25	PHF TB3030X...
3525 <sup>1)</sup>	35	1 1/4	100 <sup>3)</sup>	4	127,0	63,5	123,0	–	12,700 x 38,100	4,23	PHF TB3525X...
3535 <sup>1)</sup>	35	1 1/4	90	3 1/2	127,0	89,0	123,0	–	12,700 x 38,100	5,78	PHF TB3535X...
4030	40	1 3/4	115 <sup>3)</sup>	4 1/4	146,0	76,2	141,0	–	15,875 x 44,450	7,00	PHF TB4030X...
4040	40	1 3/4	100	4	146,0	102,0	141,0	–	15,875 x 44,450	9,20	PHF TB4040X...
4535	55	2	125	5	161,0	89,0	156,0	–	19,050 x 50,800	9,10	PHF TB4535X...
4545	55	2	115 <sup>3)</sup>	4 1/2	161,0	114,0	156,0	–	19,050 x 50,800	11,80	PHF TB4545X...
5040	70	2 5/8	140	5 1/2	178,0	101,6	171,0	–	22,255 x 57,150	12,26	PHF TB5040X...
5050	70	2 5/8	125	5	178,0	127,0	171,0	–	22,255 x 57,150	15,18	PHF TB5050X...
6050	95	3 7/8	150	6	235,0	127,0	228,6	171,5	31,800 x 88,900	25,00	PHF TB6050X...
7060	110	4 5/8	170	7	260,4	152,4	254,0	196,9	31,800 x 88,900	34,00	PHF TB7060X...
8065	130	5 1/16	190	8	285,8	165,1	279,4	222,3	31,800 x 88,900	45,00	PHF TB8065X...
10085	170	6 9/16	260	10	374,7	215,9	368,3	298,5	38,100 x 114,300	104,00	PHF TB10085X...
120100	200	7 9/16	290	12	438,2	254,0	431,8	362,0	38,100 x 114,300	163,00	PHF TB120100X...

Note: Bushings cannot be bored out larger than listed.  
 Bushings are supplied with screws: 1008 - 3030 (2 screws); 3525 - 6050 (3 screws); 7060 - 10085 (4 screws); and 120100 (6 screws).  
<sup>1)</sup> Bushings are also available with coarse thread (UNC) according to ASME/ANSI standard. To complete designation, add U before bushing number and bore size at the end of designation, e.g. PHF TBU3525X70MM.  
<sup>2)</sup> Screw size x length.  
 A is the diameter at the face of the bush and D is the bolt pitch diameter.  
 To complete designation, add bore size. For example: PHF TB1215X16MM designates a 1215 taper bushing with a 16 mm bore.  
<sup>3)</sup> Indicates shallow key required (e.g. DIN 6885/3).  
 Sizes 1008 - 3030 may be supplied in either 3 hole or 4 hole. There is no difference in their respective performance characteristics.

Metric bores and keyway

Bore diameter	Keyway Width	Depth	Shallow keyway depth	Bore sizes available															
				1008	1108	1210	1610	1615	2012	2517	3020	3030	3525	3535	4030	4040	4535	4545	5040
9	3	1,4	—	•	•														
10	3	1,4	—	•	•														
11	4	1,8	—	•	•	•													
12	4	1,8	—	•	•	•													
14	5	2,3	—	•	•	•	•	•											
15	5	2,3	—	•	•	•	•	•											
16	5	2,3	—	•	•	•	•	•	•										
18	6	2,8	—	•	•	•	•	•	•										
19	6	2,8	—	•	•	•	•	•	•										
20	6	2,8	—	•	•	•	•	•	•										
22	6	2,8	—	•	•	•	•	•	•										
24	8	3,3	1,3	• <sup>1)</sup>	•	•	•	•	•										
25	8	3,3	1,3	• <sup>1)</sup>	•	•	•	•	•										
28	8	3,3	1,3		• <sup>1)</sup>	•	•	•	•										
30	8	3,3	—		•	•	•	•	•										
32	10	3,3	—			•	•	•	•										
35	10	3,3	—			•	•	•	•										
38	10	3,3	—			•	•	•	•										
40	12	3,3	1,3			•	•	•	•										
42	12	3,3	1,3			•	•	•	•										
45	14	3,8	—					•	•										
48	14	3,8	—					•	•										
50	14	3,8	—					•	•										
55	16	4,3	—						•										
60	18	4,4	—						•										
65	18	4,4	—																
70	20	4,9	—																
75	20	4,9	—																
80	22	5,4	—																
85	22	5,4	—																
90	25	5,4	—																
95	25	5,4	—																
100	28	6,4	4,4																
105	28	6,4	—																
110	28	6,4	—																
110	32	7,4	5,4																
120	32	7,4	—																
125	32	7,4	—																
130	32	7,4	—																
140	32	8,4	6,4																

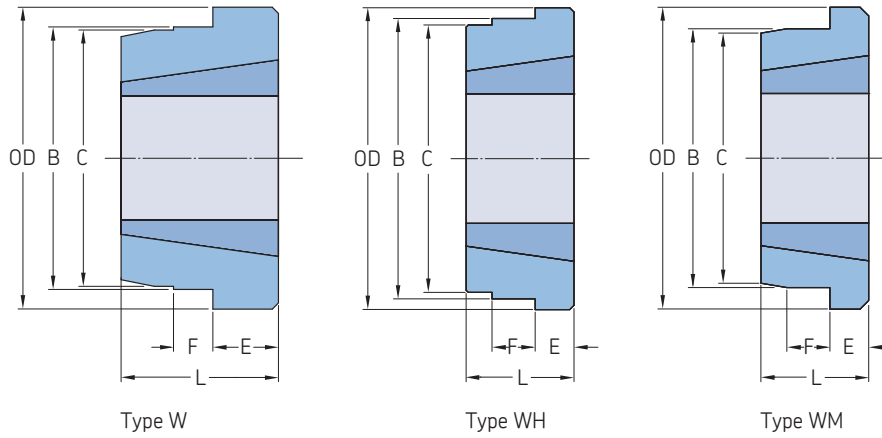
Inch bores and keyway

Bore diameter	Keyway Width	Depth	Shallow keyway depth	Bore sizes available															
				1008	1108	1210	1610	1615	2012	2517	3020	3030	3525	3535	4030	4040	4535	4545	5040
3/8	1/8	1/16	—	•	•														
1/2	1/8	1/16	—	•	•														
5/8	3/32	3/32	—	•	•	•													
3/4	3/32	3/32	—	•	•	•													
7/8	1/4	1/8	—	•	•	•													
1	1/4	1/8	1/16	• <sup>1)</sup>	•	•													
1 1/8	5/16	1/8	5/64		• <sup>1)</sup>	•													
1 1/4	5/16	1/8	—			•													
1 3/8	3/8	1/8	—			•													
1 1/2	3/8	1/8	—			•													
1 5/8	7/16	5/32	1/8																
1 3/4	7/16	5/32	—																
1 7/8	1/2	5/32	—																
2	1/2	5/32	—																
2 1/8	5/8	7/32	—																
2 1/4	5/8	7/32	—																
2 3/8	5/8	7/32	—																
2 1/2	5/8	7/32	—																
2 5/8	3/4	1/4	—																
2 3/4	3/4	1/4	—																
2 7/8	3/4	1/4	—																
3	3/4	1/4	—																
3 1/8	7/8	5/16	—																
3 1/4	7/8	5/16	—																
3 3/8	7/8	5/16	—																
3 1/2	7/8	5/16	—																
3 3/4	1	3/8	5/16																
4	1	3/8	7/32																
4 1/4	1 1/4	7/16	—																
4 1/2	1 1/4	7/16	11/32																
4 3/4	1 1/4	7/16	—																
5	1 1/4	7/16	11/32																

<sup>1)</sup> Bushing comes with a shallow keyway.

## Weld-on hubs

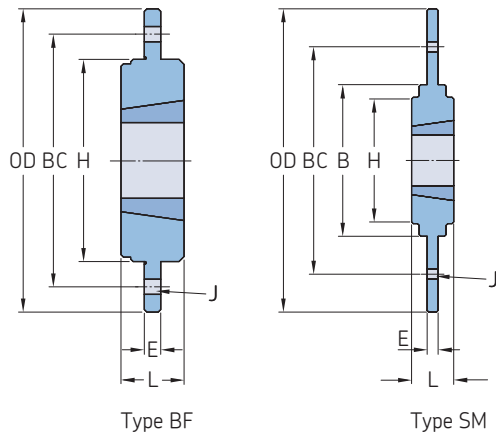
W taper bushed | WH taper bushed | WM taper bushed



Type	Bushing number	Dimensions						Designation	
		OD	B	C	L	E	F		
-	-	mm						-	
W	1215	73,03	63,50	62,71	38,1	15,88	9,53	PHH W12	
	1615	82,55	73,03	72,24	38,1	15,88	9,53	PHH W16	
	2017	101,60	88,90	88,11	44,4	19,05	11,91	PHH W20	
	2517	127,00	111,13	110,34	44,4	19,05	12,70	PHH W25	
	3030	149,86	133,35	132,56	76,2	25,40	19,05	PHH W30	
	3535	184,15	158,75	157,96	88,9	31,75	25,40	PHH W35	
	4040	225,43	196,85	196,06	101,6	31,75	31,75	PHH W40	
	4545	254,00	222,25	221,46	114,3	38,10	38,10	PHH W45	
	WH	1210	70,00	65,00	64,50	25,0	9,00	10,00	PHH WH12
		1610	80,00	75,00	74,50	25,0	9,00	10,00	PHH WH16
2012		95,00	90,00	89,50	32,0	12,00	12,00	PHH WH20	
2517		115,00	110,00	109,50	44,0	19,00	15,00	PHH WH25	
3020		145,00	140,00	139,50	50,0	20,00	15,00	PHH WH30	
3535		190,00	180,00	179,50	89,0	25,00	25,00	PHH WH35-2	
4030		200,00	190,00	189,50	76,0	32,00	30,00	PHH WH40-1	
4040		200,00	190,00	189,50	101,0	32,00	30,00	PHH WH40-2	
4535		210,00	200,00	199,50	89,0	40,00	30,00	PHH WH45-1	
4545		210,00	200,00	199,50	114,0	40,00	30,00	PHH WH45-2	
5040	230,00	220,00	219,50	102,0	40,00	35,00	PHH WH50-1		
5050	230,00	220,00	219,50	127,0	40,00	35,00	PHH WH50-2		
WM	1210	70,00	60,00	58,00	25,0	9,00	10,00	PHH WM12	
	1610	83,00	70,00	68,00	25,0	9,00	10,00	PHH WM16-1	
	1615	83,00	70,00	68,00	38,0	16,00	11,00	PHH WM16-2	
	2012	95,00	90,00	88,00	32,0	12,00	12,00	PHH WM20	
	2517	127,00	110,00	108,00	44,0	19,00	13,00	PHH WM25	
	3020	152,00	130,00	125,00	50,0	20,00	15,00	PHH WM30-1	
	3030	152,00	130,00	125,00	76,0	25,00	19,00	PHH WM30-2	
	3535	184,00	155,00	151,00	89,0	32,00	25,00	PHH WM35	
	4040	225,00	195,00	187,00	102,0	32,00	32,00	PHH WM40	
	4545	254,00	220,00	213,00	114,0	38,00	38,00	PHH WM45	
5050	276,00	242,00	228,00	127,0	38,00	38,00	PHH WM50		

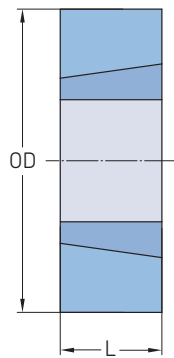
## Bolt-on hubs / Adapters

BF taper bushed | SM taper bushed | Taper bushed adapters



Type	Bushing number	Dimensions							Designation
		OD	B	BC	L	E	H	J <sup>1)</sup>	
-	-	mm							-
BF	1210	120	-	100	25	6,5	80	6 x 6,6	PHH BF12
	1610	130	-	110	25	6,5	90	6 x 6,6	PHH BF16
	2012	145	-	125	32	8,5	100	6 x 9,0	PHH BF20
	2517	185	-	155	44	11,5	130	6 x 11,0	PHH BF25
	3020	220	-	190	50	11,5	165	6 x 13,0	PHH BF30
SM	1210	180	75	135	25	6,5	90	6 x 7,5	PHH SM12
	1615	200	85	150	38	7,5	110	6 x 7,5	PHH SM16
	2012	270	110	190	32	8,5	140	6 x 9,5	PHH SM20
	2517	340	125	240	45	9,5	170	8 x 11,5	PHH SM25
	3020	430	160	300	51	13,5	220	8 x 13,5	PHH SM30-1
	3020	485	160	340	51	13,5	250	8 x 13,5	PHH SM30-2

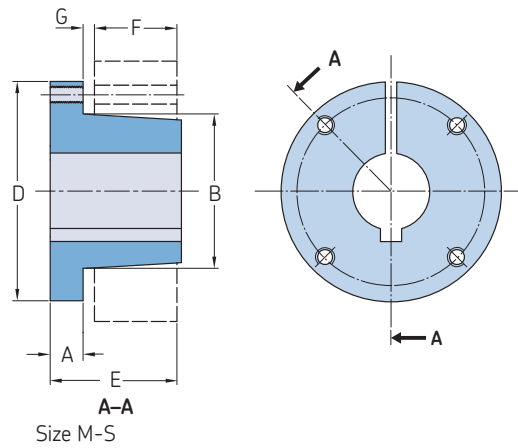
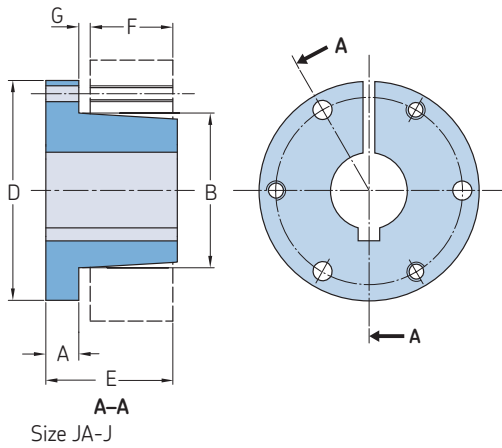
<sup>1)</sup> Number of screw holes x hole diameter.



Taper bushed adapters (obsolete)

Type	Bushing number	Dimensions		Keyway Width	Depth	Designation
		OD	L			
-	-	mm		-	-	-
1008KM	1008	45	22	5	2,5	PHH TBA1008KM
1008PM	1008	45	22	-	-	PHH TBA1008PM
1210KM	1210	60	25	6	3,0	PHH TBA1210KM
1210PM	1210	60	25	-	-	PHH TBA1210PM
1215KM	1215	60	38	6	3,0	PHH TBA1215KM
1215PM	1215	60	38	-	-	PHH TBA1215PM
1610KM	1610	70	25	10	4,0	PHH TBA1610KM
1610PM	1610	70	25	-	-	PHH TBA1610PM
1615KM	1615	70	38	10	4,0	PHH TBA1615KM
1615PM	1615	70	38	-	-	PHH TBA1615PM
2517KM	2517	105	45	16	4,0	PHH TBA2517KM
2517PM	2517	105	45	-	-	PHH TBA2517PM
3030KM	3030	130	76	20	5,0	PHH TBA3030KM
3030PM	3030	130	76	-	-	PHH TBA3030PM
3535KM	3535	160	89	22	5,0	PHH TBA3535KM
3535PM	3535	160	89	-	-	PHH TBA3535PM
4040KM	4040	185	102	24	5,0	PHH TBA4040KM
4040PM	4040	185	102	-	-	PHH TBA4040PM

# QD Bushings



Bushing number	Bore range			Dimensions						Set screw size	Average mass		Designation
	Min.	Standard keyway Max.	Shallow keyway	A	B	D	E	F	G		kg	lbs.	
–	mm										kg	lbs.	–
JA	9,53	25,40	31,75	7,90	35,10	50,80	25,40	14,22	3,05	10 - 24	0,40	0,9	PHF JA...
SH	12,70	34,92	42,86	10,90	47,80	66,80	33,27	20,57	3,05	6,35	0,50	1,0	PHF SH...
SDS	12,70	42,86	50,80	10,90	55,40	80,80	33,27	19,05	3,05	6,35	0,72	1,0	PHF SDS...
SD	12,70	42,86	49,21	10,90	55,40	80,80	45,97	31,75	3,05	6,35	0,93	1,5	PHF SD...
SK	12,70	53,97	63,50	14,20	71,40	98,60	49,02	31,75	5,58	33,34	0,90	2,0	PHF SK...
SF	12,70	74,61	71,43	16,00	79,50	117,60	52,32	31,75	5,58	33,34	2,23	3,0	PHF SF...
E	22,26	73,02	88,90	22,40	97,30	152,40	69,85	41,02	6,35	9,50	4,62	10,0	PHF E...
F	25,40	100,01	100,01	25,40	112,50	168,40	95,25	63,50	8,64	12,70	5,20	11,5	PHF F...
J	36,51	95,25	114,30	28,70	130,60	184,20	122,68	80,77	9,65	41,27	8,20	18,0	PHF J...
M	74,61	120,65	139,70	31,80	165,10	228,60	171,45	131,57	10,41	19,10	27,00	37,0	PHF M...
N	61,91	130,18	152,40	38,10	177,80	254,00	206,25	158,75	14,22	19,10	37,50	57,0	PHF N...
P	74,61	150,81	177,80	44,50	209,60	298,50	238,25	184,15	16,02	22,20	54,40	120,0	PHF P...
W	101,60	190,50	215,90	50,80	264,70	381,00	289,05	228,60	12,70	25,40	113,40	250,0	PHF W...
S	152,40	209,55	254,00	69,90	308,10	450,90	387,35	304,80	19,05	31,75	181,40	400,0	PHF S...

To complete the designation, add bore size in inch or millimeters (standard bore sizes available on next page).  
 E.g.: PHF SDS-1-11/16 and PHF SDS-25MM.

# QD Bushings

## Dimensions

### Inch bores and keyway

Bushing number	Bore	Keyway
–	in.	
JA	3/8 – 7/8 1/2 1 1/16 – 1 1/8 1 3/16 1 1/4	No keyway STD 1/4 x 1/16 1/4 x 1/16 No keyway
SH	1/2 – 1 3/8 1 7/16 – 1 1/2 1 9/16 – 1 5/8 1 11/16	STD 3/8 x 1/16 3/8 x 1/16 No keyway
SDS	1/2 – 1 11/16 1 3/4 1 13/16 1 7/8 – 1 15/16 2	STD 3/8 x 1/8 1/2 x 1/8 1/2 x 1/16 No keyway
SD	1/2 – 1 11/16 1 3/4 1 13/16 1 7/8 1 15/16 2	STD 3/8 x 1/8 1/2 x 1/8 1/2 x 1/16 1/2 x 1/16 No keyway
SK	1/2 – 2 1/8 2 3/16 – 2 1/4 2 5/16 – 2 1/2 2 9/16 – 2 5/8	STD 1/2 x 1/8 1 5/8 x 1/16 No keyway
SF	1/2 – 2 1/4 2 5/16 – 2 1/2 2 9/16 – 2 3/4 2 13/16 – 2 7/8 2 15/16	STD 1 5/8 x 3/16 5/8 x 1/16 3/4 x 1/16 3/4 x 1/32
E	7/8 – 2 7/8 2 15/16 – 3 1/4 3 3/8 – 3 1/2	STD <sup>1)</sup> 3/4 x 1/8 7/8 x 1/16
F	1 – 3 15/16 3 3/8 – 3 3/4 3 7/8 – 3 15/16 4	STD <sup>1)</sup> 7/8 x 3/16 1 x 1/8 No keyway
J	1 1/4 – 3 3/4 3 13/16 – 4 1/2	STD <sup>1)</sup> 1 x 1/8
M	2 – 4 3/4 4 13/16 – 5 1/2	STD <sup>1)</sup> 1 1/4 x 1/4
N	2 7/16 5 7/8 – 5 1/2 5 9/16	STD <sup>1)</sup> 1 1/4 x 1/4 1 1/2 x 1/4
P	2 15/16 – 5 15/16 6 – 6 1/2 6 9/16	STD <sup>1)</sup> 1 1/2 x 1/4 1 3/4 x 1/8
W	4 – 7 1/2 7 9/16 – 8 1/2	STD <sup>1)</sup> 2 x 1/4

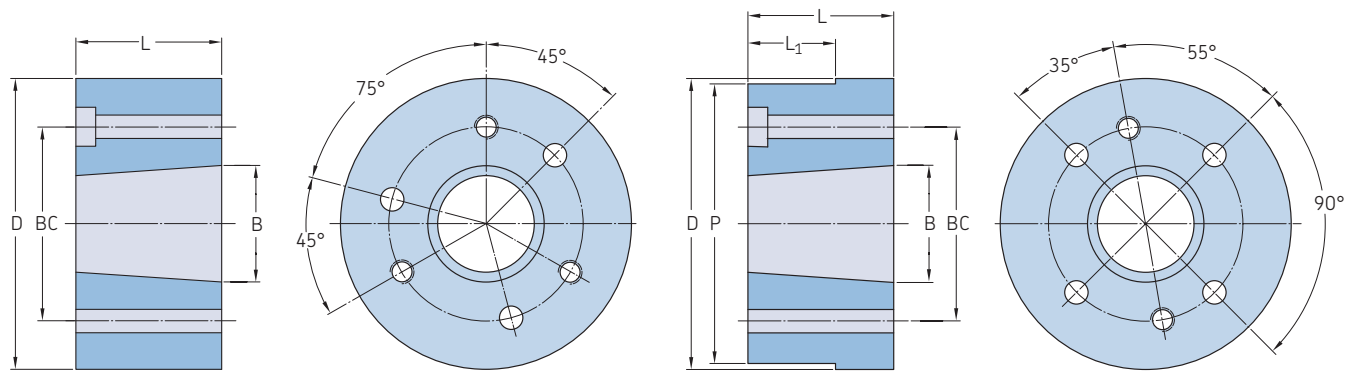
<sup>1)</sup> Please contact SKF for details.

### Metric bores and keyway

Bushing number	Bore	Keyway - WxT
–	mm	
SH	24, 25 28, 30 32, 35	8 x 7 – 10 x 8
SDS	24, 25 28, 30 32, 35 38 40, 42	8 x 7 – 10 x 8 – 12 x 8
SD	24, 25 28, 30 32, 35 38 40, 42	8 x 7 – 10 x 8 – 12 x 8
SK	24, 25 28, 30 32, 35 38 40, 42 48, 50 55	8 x 7 – 10 x 8 – 12 x 8 14 x 9 16 x 10
SF	28, 30 32, 35 38 40, 42 48, 50 55 60	8 x 7 10 x 8 – 12 x 8 14 x 9 16 x 10 18 x 11
E	35, 38 40, 42 48, 50 55 60, 65 70, 75	10 x 8 12 x 8 14 x 9 16 x 10 18 x 11 20 x 12
F	48, 50 55 60, 65 70, 75 80, 85	14 x 9 16 x 10 18 x 11 20 x 12 22 x 14
J	50 55 60, 65 70, 75 80, 85 90 95 100	14 x 9 16 x 10 18 x 11 20 x 12 22 x 14 25 x 14 28 x 16

The metric system does not refer to keyseat or keyway dimensions as the inch system. Instead, dimensions are given for the key itself which is rectangular in shape, not square as in the inch system.

QD Weld-on hubs



Type 1

Type 2

Bushing number	Dimensions						Type drilling	Approx mass	Mounting	Designation
	D	L	B	P	L <sub>1</sub>	BC				
-	mm						-	kg	-	-
JA	57,2	14,3	34,9	-	-	42,1	1	0,18	Std or reverse mount	PHH WJA
SH	76,2	20,6	47,5	-	-	57,2	1	0,45	Std or reverse mount	PHH WSH
SDS	88,9	19,1	55,6	-	-	68,3	1	0,57	Std or reverse mount	PHH WSDS
SK	111,1	31,8	71,5	-	-	84,1	1	1,36	Std or reverse mount	PHH WSK
SF	127,0	31,8	79,4	-	-	98,4	1	1,81	Std or reverse mount	PHH WSF
E	158,8	41,3	97,3	-	-	127,0	1	4,08	Std or reverse mount	PHH WE
F	177,8	63,5	112,7	-	-	142,9	1	7,26	Std or reverse mount	PHH WF
J	196,9	81,0	130,6	-	-	158,8	1	10,21	Std or reverse mount	PHH WJ
M	241,3	131,8	164,9	235,0	90,5	200,0	2	22,69	Std mount only	PHH WM
N	266,7	158,8	177,5	260,4	114,3	215,9	2	34,03	Std mount only	PHH WN
P	330,2	184,2	209,3	-	-	254,0	2	70,33	Std mount only	PHH WP
W	393,7	228,6	265,1	-	-	323,9	2	136,12	Std mount only	PHH WW
S	495,3	304,8	308,0	476,3	-	381,0	2	253,18	Std mount only	PHH WS



# SKF FX Keyless Bushings range



- FX 10**
- Medium torque
  - Not self-centering
  - Medium surface pressures
  - No axial hub movement
  - H11 – h11 tolerances



- FX 20**
- Medium torque
  - Self-centering
  - H8 – h8 tolerances



- FX 30**
- Low torque
  - Medium surface pressures
  - Taper rings only



- FX 40**
- High torque
  - Self-centering
  - Medium surface pressures
  - H8 – h8 tolerances



- FX 41**
- Medium torque
  - Reduced length
  - Medium self-centering
  - High surface pressures
  - H8 – h8 tolerances



- FX 50**
- Medium torque
  - Self-centering
  - Low surface pressures
  - No axial hub movement
  - H8 – h8 tolerances



- FX 51**
- Medium torque
  - Reduced length
  - High surface pressures
  - No axial hub movement
  - H8 – h8 tolerances



- FX 52**
- High torque
  - Self-centering
  - Low-medium surface pressures
  - H8 – h8 tolerances



- FX 60**
- Very high torque
  - Self-centering
  - Medium surface pressures
  - No axial hub movement
  - H8 – h8 tolerances



- FX 80**
- Low torque
  - Short length
  - Not self-centering
  - Low surface pressures
  - H8 – h8 tolerances



- FX 90**
- Low-medium torque
  - Short length
  - Self-centering
  - Low surface pressures
  - H8 – h8 tolerances



- FX 120**
- Medium torque
  - Reduced length
  - Medium self-centering
  - High surface pressures
  - H8 – h8 tolerances



- FX 130**
- Low-medium torque
  - h8 tolerances



- FX 140**
- Medium torque
  - Reduced length
  - High surface pressures
  - H8 – h8 tolerances



- FX 190**
- High torque
  - No axial hub movement
  - h8 tolerances



- FX 350**
- Low-medium torque
  - Short length
  - Self-centering
  - Low surface pressures
  - H8 – h8 tolerances

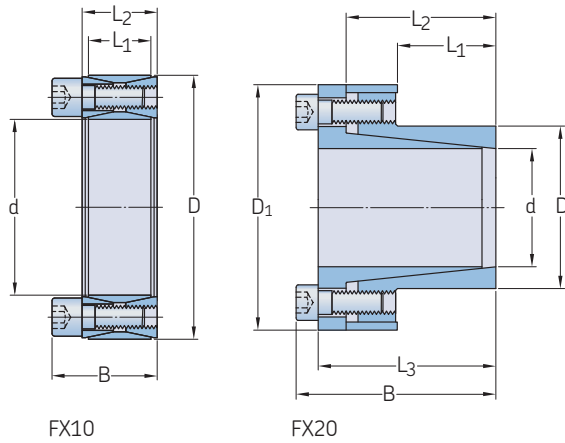


- FX 400**
- High torque
  - Self-centering
  - Low surface pressures
  - No axial hub movement
  - H8 – h8 tolerances

Refer to SKF FX Keyless Bushings PUB PT/P1 10114 EN for other available models.

FX keyless bushings

FX10



Bushings no.	Dimensions							Transmissible axial force $F_t$	Transmissible torque $M_t$	Shaft surface pressure $P_w$	Hub surface pressure $P_n$	Clamp screws Quantity	Clamp screws size	Screw tightening torque $M_s$	Mass	Designation
	d	D	L <sub>1</sub>	L <sub>2</sub>	L <sub>3</sub>	B	D <sub>1</sub>									
-	mm							kN	Nm	N/mm <sup>2</sup>				Nm	kg	-
FX10	20	47	17	20,0	-	27,5	-	27,0	240	210	90	8	M6	15,0	0,20	PHF FX10-20X47
	22	47	17	20,0	-	27,5	-	27,0	300	195	90	8	M6	15,0	0,20	PHF FX10-22X47
	24	50	17	20,0	-	27,5	-	30,0	360	195	95	8	M6	15,0	0,30	PHF FX10-24X50
	25	50	17	20,0	-	27,5	-	30,0	380	190	95	8	M6	15,0	0,30	PHF FX10-25X50
	28	55	17	20,0	-	27,5	-	33,0	470	185	95	10	M6	15,0	0,30	PHF FX10-28X55
	30	55	17	20,0	-	27,5	-	33,0	500	175	95	10	M6	15,0	0,30	PHF FX10-30X55
	32	60	17	20,0	-	27,5	-	40,0	630	192	105	12	M6	15,0	0,30	PHF FX10-32X60
	35	60	17	20,0	-	27,5	-	40,0	700	180	105	12	M6	15,0	0,30	PHF FX10-35X60
	38	65	17	20,0	-	27,5	-	46,0	870	188	110	14	M6	15,0	0,40	PHF FX10-38X65
	40	65	17	20,0	-	27,5	-	46,0	920	180	110	14	M6	15,0	0,30	PHF FX10-40X65
	42	75	20	24,0	-	33,5	-	72,0	1 500	226	125	12	M8	37,0	0,60	PHF FX10-42X75
	45	75	20	24,0	-	33,5	-	72,0	1 610	210	125	12	M8	37,0	0,60	PHF FX10-45X75
	48	80	20	24,0	-	33,5	-	71,0	1 700	196	115	12	M8	37,0	0,60	PHF FX10-48X80
	50	80	20	24,0	-	33,5	-	71,0	1 770	190	115	12	M8	37,0	0,60	PHF FX10-50X80
	55	85	20	24,0	-	33,5	-	83,0	2 270	200	130	14	M8	37,0	0,60	PHF FX10-55X85
	60	90	20	24,0	-	33,5	-	83,0	2 470	180	120	14	M8	37,0	0,70	PHF FX10-60X90
	65	95	20	24,0	-	33,5	-	93,0	3 040	190	130	16	M8	37,0	0,70	PHF FX10-65X95
	70	110	24	28,0	-	39,5	-	132,0	4 600	210	130	14	M10	70,0	1,30	PHF FX10-70X110
	75	115	24	28,0	-	39,5	-	131,0	4 900	195	125	14	M10	70,0	1,30	PHF FX10-75X115
	80	120	24	28,0	-	39,5	-	131,0	5 200	180	120	14	M10	70,0	1,40	PHF FX10-80X120
	85	125	24	28,0	-	39,5	-	148,0	6 300	195	130	16	M10	70,0	1,40	PHF FX10-85X125
	90	130	24	28,0	-	39,5	-	147,0	6 600	180	125	16	M10	70,0	1,50	PHF FX10-90X130
	95	135	24	28,0	-	39,5	-	167,0	7 900	195	135	18	M10	70,0	1,60	PHF FX10-95X135
	100	145	26	33,0	-	47,0	-	192,0	9 600	195	135	14	M12	127,0	2,20	PHF FX10-100X145
	110	155	26	33,0	-	47,0	-	191,0	10 500	180	125	14	M12	127,0	2,50	PHF FX10-110X155
	120	165	26	33,0	-	47,0	-	218,0	13 100	185	135	16	M12	127,0	2,60	PHF FX10-120X165
	130	180	34	38,0	-	52,0	-	272,0	17 600	165	115	20	M12	127,0	3,80	PHF FX10-130X180
	140	190	34	38,0	-	52,0	-	298,0	20 900	165	125	22	M12	127,0	3,90	PHF FX10-140X190
	150	200	34	38,0	-	52,0	-	324,0	24 200	170	125	24	M12	127,0	4,00	PHF FX10-150X200
	160	210	34	38,0	-	52,0	-	350,0	28 000	170	130	26	M12	127,0	4,30	PHF FX10-160X210
	170	225	38	44,0	-	60,0	-	386,0	32 800	160	120	22	M14	195,0	5,80	PHF FX10-170X225
	180	235	38	44,0	-	60,0	-	420,0	37 800	165	125	24	M14	195,0	6,00	PHF FX10-180X235
	190	250	46	52,0	-	68,0	-	490,0	46 500	150	115	28	M14	195,0	8,50	PHF FX10-190X250
	200	260	46	52,0	-	68,0	-	525,0	52 500	150	115	30	M14	195,0	8,60	PHF FX10-200X260
	220	285	50	56,0	-	74,0	-	620,0	68 000	150	115	26	M16	300,0	11,00	PHF FX10-220X285
	240	305	50	56,0	-	74,0	-	715,0	85 500	160	125	30	M16	300,0	12,00	PHF FX10-240X305
260	325	50	56,0	-	74,0	-	800,0	104 000	165	130	34	M16	300,0	13,00	PHF FX10-260X325	
280	355	60	66,0	-	86,5	-	915,0	128 000	145	115	32	M18	410,0	19,00	PHF FX10-280X355	
300	375	60	66,0	-	86,5	-	1020,0	153 000	150	120	36	M18	410,0	20,00	PHF FX10-300X375	
320	405	72	78,0	-	100,5	-	1310,0	210 000	150	120	36	M20	590,0	30,00	PHF FX10-320X405	
340	425	72	78,0	-	100,5	-	1310,0	224 000	145	115	36	M20	590,0	30,10	PHF FX10-340X425	
360	455	84	90,0	-	116,0	-	1630,0	294 000	145	115	36	M22	790,0	42,00	PHF FX10-360X455	
380	475	84	90,0	-	116,0	-	1620,0	308 000	135	110	36	M22	790,0	44,00	PHF FX10-380X475	
400	495	84	90,0	-	116,0	-	1610,0	322 000	130	105	36	M22	790,0	46,00	PHF FX10-400X495	
420	515	84	90,0	-	116,0	-	1780,0	370 000	135	110	40	M22	790,0	50,00	PHF FX10-420X515	
440	545	96	102,0	-	130,0	-	2050,0	450 000	130	105	40	M24	1 000,0	65,00	PHF FX10-440X545	
460	565	96	102,0	-	130,0	-	2030,0	465 000	125	100	40	M24	1 000,0	67,00	PHF FX10-460X565	
480	585	96	102,0	-	130,0	-	2150,0	505 000	125	100	42	M24	1 000,0	71,00	PHF FX10-480X585	
500	605	96	102,0	-	130,0	-	2200,0	553 000	125	100	44	M24	1 000,0	73,00	PHF FX10-500X605	
520	630	96	102,0	-	130,0	-	2300,0	592 000	125	100	45	M24	1 000,0	80,00	PHF FX10-520X630	
540	650	96	102,0	-	130,0	-	2320,0	618 000	120	100	45	M24	1 000,0	82,00	PHF FX10-540X650	
560	670	96	102,0	-	130,0	-	2430,0	670 000	120	100	48	M24	1 000,0	85,00	PHF FX10-560X670	
580	690	96	102,0	-	130,0	-	2520,0	727 000	120	100	50	M24	1 000,0	88,00	PHF FX10-580X690	
600	710	96	102,0	-	130,0	-	2565,0	770 000	120	100	50	M24	1 000,0	91,00	PHF FX10-600X710	

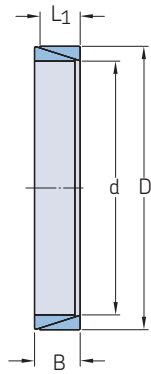
# FX keyless bushings

FX10 | FX20

Bushings no.	Dimensions							Transmissible axial force $F_t$	Transmissible torque $M_t$	Shaft surface pressure $P_w$	Hub surface pressure $P_n$	Clamp screws Quantity	Clamp screws size	Screw tightening torque $M_s$	Mass	Designation
	d	D	L <sub>1</sub>	L <sub>2</sub>	L <sub>3</sub>	B	D <sub>1</sub>									
–	mm							kN	Nm	N/mm <sup>2</sup>				Nm	kg	–
FX10	620	730	96	102,0	–	130,0	–	2647,0	818 000	120	100	52	M24	1 000,0	93,00	PHF FX10-620X730
	640	750	96	102,0	–	130,0	–	2698,0	860 000	115	100	54	M24	1 000,0	96,00	PHF FX10-640X750
	660	770	96	102,0	–	130,0	–	2790,0	919 000	120	100	56	M24	1 000,0	99,00	PHF FX10-660X770
	680	790	96	102,0	–	130,0	–	2820,0	955 000	115	100	56	M24	1 000,0	102,00	PHF FX10-680X790
	700	810	96	102,0	–	130,0	–	2945,0	1 018 000	115	100	60	M24	1 000,0	104,00	PHF FX10-700X810
	720	830	96	102,0	–	130,0	–	2965,0	1 060 000	115	100	60	M24	1 000,0	107,00	PHF FX10-720X830
	740	850	96	102,0	–	130,0	–	3065,0	1 128 000	115	100	62	M24	1 000,0	110,00	PHF FX10-740X850
	760	870	96	102,0	–	130,0	–	3170,0	1 200 000	115	100	64	M24	1 000,0	113,00	PHF FX10-760X870
	780	890	96	102,0	–	130,0	–	3205,0	1 235 000	115	100	65	M24	1 000,0	116,00	PHF FX10-780X890
	800	910	96	102,0	–	130,0	–	3260,0	1 287 000	115	100	66	M24	1 000,0	118,00	PHF FX10-800X910
	820	930	96	102,0	–	130,0	–	3330,0	1 360 000	115	100	68	M24	1 000,0	121,00	PHF FX10-820X930
	840	950	96	102,0	–	130,0	–	3445,0	1 435 000	115	100	70	M24	1 000,0	124,00	PHF FX10-840X950
	860	970	96	102,0	–	130,0	–	3525,0	1 510 000	115	100	72	M24	1 000,0	127,00	PHF FX10-860X970
	880	990	96	102,0	–	130,0	–	3610,0	1 578 000	115	100	74	M24	1 000,0	129,00	PHF FX10-880X990
	900	1 010	96	102,0	–	130,0	–	3660,0	1 635 000	115	100	75	M24	1 000,0	132,00	PHF FX10-900X1010
FX20	6	14	10	18,5	21,0	24,0	25	4,5	13	190	80	3	M3	2,0	0,04	PHF FX20-6X14
	7	15	12	22,0	25,0	29,0	27	6,5	24	230	110	3	M4	4,9	0,06	PHF FX20-7X15
	8	15	12	22,0	25,0	29,0	27	6,7	25	210	110	3	M4	4,9	0,05	PHF FX20-8X15
	9	16	14	23,0	26,0	30,0	28	10,0	45	210	120	4	M4	4,9	0,06	PHF FX20-9X16
	10	16	14	23,0	26,0	30,0	28	10,0	49	180	120	4	M4	4,9	0,06	PHF FX20-10X16
	11	18	14	23,0	26,0	30,0	32	10,0	54	170	105	4	M4	4,9	0,07	PHF FX20-11X18
	12	18	14	23,0	26,0	30,0	32	10,0	60	155	105	4	M4	4,9	0,07	PHF FX20-12X18
	13	23	14	23,0	26,0	30,0	38	10,0	63	145	85	4	M4	4,9	0,11	PHF FX20-13X23
	14	23	14	23,0	26,0	30,0	38	10,0	70	135	85	4	M4	4,9	0,10	PHF FX20-14X23
	15	24	16	29,0	36,0	42,0	45	17,1	120	185	120	3	M6	17,0	0,22	PHF FX20-15X24
	16	24	16	29,0	36,0	42,0	45	17,1	140	180	120	3	M6	17,0	0,22	PHF FX20-16X24
	17	26	18	31,0	38,0	44,0	47	22,0	180	190	125	4	M6	17,0	0,25	PHF FX20-17X26
	18	26	18	31,0	38,0	44,0	47	22,0	200	180	125	4	M6	17,0	0,24	PHF FX20-18X26
	19	27	18	31,0	38,0	44,0	49	22,0	210	170	120	4	M6	17,0	0,26	PHF FX20-19X27
	20	28	18	31,0	38,0	44,0	50	22,0	220	160	115	4	M6	17,0	0,27	PHF FX20-20X28
	22	32	25	38,0	45,0	51,0	54	22,0	250	115	80	4	M6	17,0	0,34	PHF FX20-22X32
	24	34	25	38,0	45,0	51,0	56	22,0	270	105	75	4	M6	17,0	0,36	PHF FX20-24X34
	25	34	25	38,0	45,0	51,0	56	22,0	290	100	75	4	M6	17,0	0,35	PHF FX20-25X34
	28	39	25	38,0	45,0	51,0	61	33,0	465	135	100	6	M6	17,0	0,48	PHF FX20-28X39
	30	41	25	38,0	45,0	51,0	62	33,0	510	125	90	6	M6	17,0	0,48	PHF FX20-30X41
	32	43	25	38,0	45,0	51,0	65	33,0	540	120	90	6	M6	17,0	0,47	PHF FX20-32X43
	35	47	32	45,0	52,0	58,0	69	45,0	790	105	80	8	M6	17,0	0,58	PHF FX20-35X47
	38	50	32	45,0	52,0	58,0	72	45,0	860	100	75	8	M6	17,0	0,61	PHF FX20-38X50
	40	53	32	45,0	52,0	58,0	75	45,0	900	95	70	8	M6	17,0	0,68	PHF FX20-40X53
	42	55	32	45,0	52,0	58,0	78	45,0	950	90	70	8	M6	17,0	0,76	PHF FX20-42X55
	45	59	45	62,0	70,0	78,0	86	84,0	1 890	110	85	8	M8	41,0	1,20	PHF FX20-45X59
	48	62	45	62,0	70,0	78,0	87	84,0	2 010	105	80	8	M8	41,0	1,20	PHF FX20-48X62
	50	65	45	62,0	70,0	78,0	92	84,0	2 100	100	75	8	M8	41,0	1,40	PHF FX20-50X65
	55	71	55	72,0	80,0	88,0	98	94,0	2 600	85	65	9	M8	41,0	1,60	PHF FX20-55X71
	60	77	55	72,0	80,0	88,0	104	94,0	2 840	75	60	9	M8	41,0	1,80	PHF FX20-60X77
	65	84	55	72,0	80,0	88,0	111	94,0	3 070	70	55	9	M8	41,0	2,10	PHF FX20-65X84
	70	90	65	86,0	96,0	106,0	119	150,0	5 250	90	70	9	M10	83,0	3,00	PHF FX20-70X90
	75	95	65	86,0	96,0	106,0	126	150,0	5 600	80	65	9	M10	83,0	3,00	PHF FX20-75X95
	80	100	65	86,0	96,0	106,0	131	200,0	8 020	100	80	12	M10	83,0	3,50	PHF FX20-80X100
	85	106	65	86,0	96,0	106,0	137	200,0	8 500	95	75	12	M10	83,0	3,60	PHF FX20-85X106
	90	112	65	86,0	96,0	106,0	144	200,0	9 000	90	75	12	M10	83,0	3,90	PHF FX20-90X112
95	120	65	86,0	96,0	106,0	149	230,0	11 000	100	80	14	M10	83,0	4,40	PHF FX20-95X120	
100	125	65	86,0	96,0	106,0	154	300,0	15 000	120	95	18	M10	83,0	4,60	PHF FX20-100X125	
110	140	90	114,0	128,0	140,0	180	290,0	16 000	80	65	12	M12	145,0	8,70	PHF FX20-110X140	
120	155	90	114,0	128,0	140,0	198	290,0	17 500	70	55	12	M12	145,0	10,60	PHF FX20-120X155	
130	165	90	114,0	128,0	140,0	208	384,0	25 000	90	70	16	M12	145,0	11,30	PHF FX20-130X165	

FX keyless bushings

FX30



FX30

Bushings no.	Dimensions				Transmissible axial force $F_t$	Transmissible torque $M_t$	Shaft surface pressure $P_w$	Hub surface pressure $P_n$	Mass	Designation
	d	D	$L_1$	B						
-	mm				kN	Nm	N/mm <sup>2</sup>		kg	-
FX30	6	9	3,7	4,5	0,8	3	115	75	0,002	PHF FX30-6X9
	7	10	3,7	4,5	0,9	3	105	70	0,002	PHF FX30-7X10
	8	11	3,7	4,5	1,2	5	120	90	0,002	PHF FX30-8X11
	9	12	3,7	4,5	1,8	8	140	105	0,002	PHF FX30-9X12
	10	13	3,7	4,5	1,9	10	135	105	0,002	PHF FX30-10X13
	12	15	3,7	4,5	1,9	11	115	90	0,002	PHF FX30-12X15
	13	16	3,7	4,5	2,0	13	110	90	0,002	PHF FX30-13X16
	14	18	5,3	6,3	3,2	22	115	90	0,005	PHF FX30-14X18
	15	19	5,3	6,3	3,2	24	110	85	0,005	PHF FX30-15X19
	16	20	5,3	6,3	3,4	27	105	85	0,006	PHF FX30-16X20
	17	21	5,3	6,3	3,5	30	105	85	0,006	PHF FX30-17X21
	18	22	5,3	6,3	3,6	32	100	80	0,007	PHF FX30-18X22
	19	24	5,3	6,3	5,2	49	140	110	0,007	PHF FX30-19X24
	20	25	5,3	6,3	5,3	53	135	105	0,009	PHF FX30-20X25
	22	26	5,3	6,3	6,0	66	135	115	0,007	PHF FX30-22X26
	24	28	5,3	6,3	6,1	73	130	110	0,008	PHF FX30-24X28
	25	30	5,3	6,3	5,8	72	115	95	0,009	PHF FX30-25X30
	28	32	5,3	6,3	6,3	86	115	100	0,010	PHF FX30-28X32
	30	35	5,3	6,3	6,1	91	100	85	0,011	PHF FX30-30X35
	32	36	5,3	6,3	8,2	131	130	115	0,011	PHF FX30-32X36
	35	40	6,0	7,0	9,8	171	125	110	0,016	PHF FX30-35X40
	36	42	6,0	7,0	9,4	169	115	100	0,021	PHF FX30-36X42
	38	44	6,0	7,0	9,6	181	110	95	0,021	PHF FX30-38X44
40	45	6,6	8,0	11,6	231	115	105	0,021	PHF FX30-40X45	
42	48	6,6	8,0	11,2	235	110	95	0,026	PHF FX30-42X48	
45	52	8,6	10,0	15,7	353	105	95	0,045	PHF FX30-45X52	
48	55	8,6	10,0	23,8	572	155	135	0,043	PHF FX30-48X55	
50	57	8,6	10,0	24,1	602	150	130	0,045	PHF FX30-50X57	
55	62	8,6	10,0	24,4	670	140	125	0,049	PHF FX30-55X62	
56	64	10,4	12,0	28,2	790	130	115	0,070	PHF FX30-56X64	
60	68	10,4	12,0	28,6	860	125	110	0,070	PHF FX30-60X68	
63	71	10,4	12,0	28,8	910	120	105	0,080	PHF FX30-63X71	
65	73	10,4	12,0	29,2	950	115	100	0,090	PHF FX30-65X73	
70	79	12,2	14,0	39,4	1 380	125	110	0,115	PHF FX30-70X79	
71	80	12,2	14,0	39,4	1 400	120	110	0,110	PHF FX30-71X80	
75	84	12,2	14,0	38,6	1 450	115	100	0,120	PHF FX30-75X84	
80	91	15,0	17,0	55,0	2 200	125	105	0,210	PHF FX30-80X91	
85	96	15,0	17,0	56,4	2 400	120	105	0,210	PHF FX30-85X96	
90	101	15,0	17,0	60,5	2 730	120	105	0,220	PHF FX30-90X101	
95	106	15,0	17,0	64,2	3 050	120	110	0,230	PHF FX30-95X106	
100	114	18,7	21,0	84,0	4 200	120	105	0,390	PHF FX30-100X114	
110	124	18,7	21,0	93,6	5 150	120	105	0,420	PHF FX30-110X124	
120	134	18,7	21,0	100,8	6 050	120	105	0,460	PHF FX30-120X134	
130	148	25,3	28,0	147,6	9 600	120	105	0,860	PHF FX30-130X148	
140	158	25,3	28,0	158,5	11 000	120	105	0,960	PHF FX30-140X158	
150	168	25,3	28,0	172,0	12 900	120	105	1,000	PHF FX30-150X168	
160	178	25,3	28,0	182,5	14 600	120	110	1,000	PHF FX30-160X178	
170	191	30,0	33,0	229,0	19 500	120	105	1,540	PHF FX30-170X191	
180	201	30,0	33,0	236,0	21 300	120	105	1,500	PHF FX30-180X201	
190	211	30,0	33,0	255,0	24 200	120	110	1,800	PHF FX30-190X211	
200	224	34,8	38,0	310,0	31 000	120	105	2,400	PHF FX30-200X224	
210	234	34,8	38,0	333,0	35 000	120	110	2,500	PHF FX30-210X234	
220	244	34,8	38,0	345,0	38 000	120	110	2,600	PHF FX30-220X244	
230	257	39,5	43,0	408,0	47 000	120	105	3,400	PHF FX30-230X257	

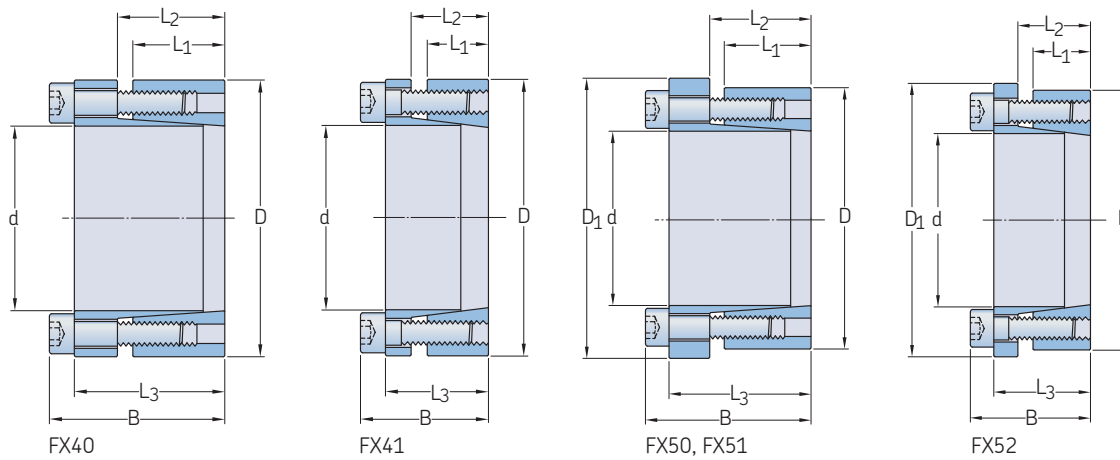
# FX keyless bushings

## FX30

Bushing no.	Dimensions				Transmissible axial force $F_t$	Transmissible torque $M_t$	Shaft surface pressure $P_w$	Hub surface pressure $P_h$	Mass	Designation
	d	D	$L_1$	B						
–	mm				kN	Nm	N/mm <sup>2</sup>		kg	–
FX30	240	267	39,5	43,0	425,0	51 000	120	110	3,800	PHF FX30-240X267
	250	280	44,0	48,0	415,0	52 000	100	90	4,800	PHF FX30-250X280
	260	290	44,0	48,0	435,0	56 500	100	90	4,900	PHF FX30-260X290
	270	300	44,0	48,0	450,0	61 000	100	90	5,000	PHF FX30-270X300
	280	313	49,0	53,0	520,0	72 500	100	90	6,400	PHF FX30-280X313
	290	323	49,0	53,0	535,0	77 500	100	90	6,500	PHF FX30-290X323
	300	333	49,0	53,0	555,0	83 000	100	90	6,800	PHF FX30-300X333
	320	360	59,0	65,0	710,0	114 000	100	90	11,000	PHF FX30-320X360
	340	380	59,0	65,0	755,0	128 500	100	90	11,500	PHF FX30-340X380
	360	400	59,0	65,0	800,0	144 000	100	90	12,300	PHF FX30-360X400
	380	420	59,0	65,0	845,0	160 500	100	90	13,000	PHF FX30-380X420
	400	440	59,0	65,0	890,0	178 000	100	90	13,700	PHF FX30-400X440
	420	460	59,0	65,0	935,0	196 000	100	90	14,100	PHF FX30-420X460
	440	480	59,0	65,0	980,0	215 000	100	90	14,800	PHF FX30-440X480
	460	500	59,0	65,0	1020,0	235 000	100	90	15,500	PHF FX30-460X500
	480	520	59,0	65,0	1070,0	256 000	100	90	16,000	PHF FX30-480X520
	500	540	59,0	65,0	1110,0	278 000	100	90	16,700	PHF FX30-500X540
	520	570	73,0	80,0	1430,0	372 000	100	90	27,000	PHF FX30-520X570
	540	590	73,0	80,0	1480,0	400 000	100	90	28,000	PHF FX30-540X590

FX keyless bushings

FX40 | FX41

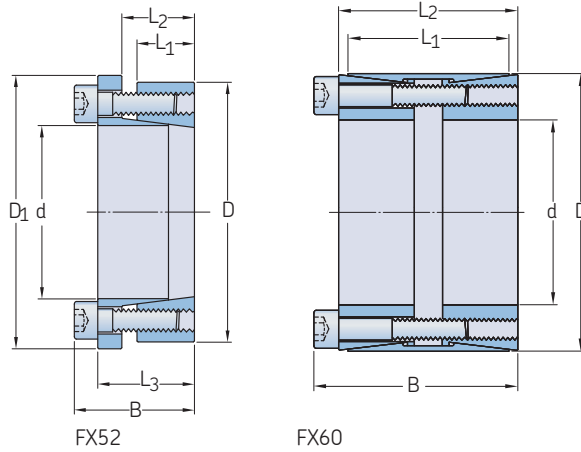


Bushings no.	Dimensions							Transmissible axial force $F_t$	Transmissible torque $M_t$	Shaft surface pressure $P_w$	Hub surface pressure $P_n$	Clamp screws Quantity	Clamp screws size	Screw tightening torque $M_s$	Mass	Designation
	d	D	L <sub>1</sub>	L <sub>2</sub>	L <sub>3</sub>	B	D <sub>1</sub>									
	mm							kN	Nm	N/mm <sup>2</sup>			Nm	kg		
FX40	20	47	26	29,0	42,0	48,0	-	54,0	540	250	105	6	M6	17,0	0,40	PHF FX40-20X47
	22	47	26	29,0	42,0	48,0	-	54,0	600	230	105	6	M6	17,0	0,40	PHF FX40-22X47
	24	50	26	29,0	42,0	48,0	-	54,0	650	210	100	6	M6	17,0	0,40	PHF FX40-24X50
	25	50	26	29,0	42,0	48,0	-	54,0	680	200	100	6	M6	17,0	0,40	PHF FX40-25X50
	28	55	26	29,0	42,0	48,0	-	54,0	760	180	95	6	M6	17,0	0,50	PHF FX40-28X55
	30	55	26	29,0	42,0	48,0	-	54,0	820	170	95	6	M6	17,0	0,50	PHF FX40-30X55
	32	60	26	29,0	42,0	48,0	-	82,0	1 310	235	125	9	M6	17,0	0,60	PHF FX40-32X60
	35	60	26	29,0	42,0	48,0	-	82,0	1 440	215	125	9	M6	17,0	0,50	PHF FX40-35X60
	38	65	26	29,0	42,0	48,0	-	82,0	1 560	200	115	9	M6	17,0	0,60	PHF FX40-38X65
	40	65	26	29,0	42,0	48,0	-	82,0	1 640	190	115	9	M6	17,0	0,60	PHF FX40-40X65
	42	75	30	34,4	51,0	59,0	-	101,0	2 130	215	120	6	M8	41,0	1,00	PHF FX40-42X75
	45	75	30	34,4	51,0	59,0	-	101,0	2 280	200	120	6	M8	41,0	1,00	PHF FX40-45X75
	48	80	30	34,4	51,0	59,0	-	101,0	2 430	190	115	6	M8	41,0	1,10	PHF FX40-48X80
	50	80	30	34,4	51,0	59,0	-	101,0	2 530	180	115	6	M8	41,0	1,00	PHF FX40-50X80
	55	85	30	34,4	51,0	59,0	-	152,0	4 180	245	160	9	M8	41,0	1,10	PHF FX40-55X85
	60	90	30	34,4	51,0	59,0	-	152,0	4 560	225	150	9	M8	41,0	1,20	PHF FX40-60X90
	65	95	30	34,4	51,0	59,0	-	152,0	4 940	210	145	9	M8	41,0	1,30	PHF FX40-65X95
	70	110	40	45,0	56,0	66,0	-	186,0	6 500	175	110	7	M10	83,0	2,20	PHF FX40-70X110
	75	115	40	45,0	56,0	66,0	-	186,0	9 000	165	110	7	M10	83,0	2,50	PHF FX40-75X115
	80	120	40	45,0	56,0	66,0	-	186,0	7 400	155	100	7	M10	83,0	2,60	PHF FX40-80X120
85	125	40	45,0	56,0	66,0	-	213,0	9 000	170	115	8	M10	83,0	2,80	PHF FX40-85X125	
90	130	40	45,0	56,0	66,0	-	213,0	9 600	160	110	8	M10	83,0	2,70	PHF FX40-90X130	
95	135	40	45,0	56,0	66,0	-	267,0	12 600	185	130	10	M10	83,0	2,90	PHF FX40-95X135	
100	145	46	52,0	65,0	77,0	-	270,0	13 300	160	105	7	M12	145,0	3,90	PHF FX40-100X145	
110	155	46	52,0	65,0	77,0	-	270,0	14 700	140	100	7	M12	145,0	4,20	PHF FX40-110X155	
120	165	46	52,0	65,0	77,0	-	309,0	18 400	150	110	8	M12	145,0	4,80	PHF FX40-120X165	
130	180	46	52,0	65,0	77,0	-	388,0	25 100	175	125	10	M12	145,0	5,00	PHF FX40-130X180	
140	190	51	58,5	73,5	87,5	-	586,0	40 150	220	160	11	M14	230,0	6,50	PHF FX40-140X190	
FX41	20	47	17	22,0	28,0	34,0	-	38,0	380	295	125	5	M6	14,0	0,30	PHF FX41-20X47
	22	47	17	22,0	28,0	34,0	-	38,0	410	270	125	5	M6	14,0	0,30	PHF FX41-22X47
	24	50	17	22,0	28,0	34,0	-	38,0	450	245	120	5	M6	14,0	0,30	PHF FX41-24X50
	25	50	17	22,0	28,0	34,0	-	45,6	570	285	140	6	M6	14,0	0,30	PHF FX41-25X50
	28	55	17	22,0	28,0	34,0	-	45,6	630	255	130	6	M6	14,0	0,40	PHF FX41-28X55
	30	55	17	22,0	28,0	34,0	-	45,6	660	235	130	6	M6	14,0	0,40	PHF FX41-30X55
	32	60	17	22,0	28,0	34,0	-	60,5	970	295	155	8	M6	14,0	0,40	PHF FX41-32X60
	35	60	17	22,0	28,0	34,0	-	60,5	1 060	270	155	8	M6	14,0	0,40	PHF FX41-35X60
	38	65	17	22,0	28,0	34,0	-	60,5	1 150	250	145	8	M6	14,0	0,50	PHF FX41-38X65
	40	65	17	22,0	28,0	34,0	-	60,5	1 210	235	145	8	M6	14,0	0,50	PHF FX41-40X65
	42	75	20	25,0	33,0	41,0	-	98,0	2 050	300	170	7	M8	35,0	0,80	PHF FX41-42X75
	45	75	20	25,0	33,0	41,0	-	98,0	2 200	290	170	7	M8	35,0	0,70	PHF FX41-45X75
	48	80	20	25,0	33,0	41,0	-	98,0	2 350	270	160	7	M8	35,0	0,80	PHF FX41-48X80
	50	80	20	25,0	33,0	41,0	-	98,0	2 450	260	160	7	M8	35,0	0,80	PHF FX41-50X80
	55	85	20	25,0	33,0	41,0	-	112,0	3 080	270	175	8	M8	35,0	0,90	PHF FX41-55X85
	60	90	20	25,0	33,0	41,0	-	112,0	3 360	245	165	8	M8	35,0	0,90	PHF FX41-60X90
	65	95	20	25,0	33,0	41,0	-	126,0	4 090	255	175	9	M8	35,0	1,00	PHF FX41-65X95
	70	110	24	30,0	40,0	50,0	-	179,0	6 300	280	180	8	M10	70,0	1,90	PHF FX41-70X110
	75	115	24	30,0	40,0	50,0	-	179,0	6 700	260	170	8	M10	70,0	2,00	PHF FX41-75X115
	80	120	24	30,0	40,0	50,0	-	179,0	7 150	250	170	8	M10	70,0	2,00	PHF FX41-80X120
85	125	24	30,0	40,0	50,0	-	200,0	8 500	260	180	9	M10	70,0	2,00	PHF FX41-85X125	
90	130	24	30,0	40,0	50,0	-	200,0	9 100	250	170	9	M10	70,0	2,20	PHF FX41-90X130	
95	135	24	30,0	40,0	50,0	-	224,0	10 600	260	180	10	M10	70,0	2,30	PHF FX41-95X135	
100	145	26	32,0	44,0	56,0	-	268,0	13 400	270	190	8	M12	125,0	3,00	PHF FX41-100X145	
110	155	26	32,0	44,0	56,0	-	268,0	14 600	240	180	8	M12	125,0	3,20	PHF FX41-110X155	



FX keyless bushings

FX52 | FX60



Bushings no.	Dimensions							Transmissible axial force $F_t$	Transmissible torque $M_t$	Shaft surface pressure $P_w$	Hub surface pressure $P_n$	Clamp screws Quantity	Clamp screws size	Screw tightening torque $M_s$	Mass	Designation
	d	D	L <sub>1</sub>	L <sub>2</sub>	L <sub>3</sub>	B	D <sub>1</sub>									
–	mm							kN	Nm	N/mm <sup>2</sup>				Nm	kg	–
FX52	18	55	17	22,0	30,0	38,0	62	18,1	150	160	55	3	M8	25,0	0,50	PHF FX52-18X55
	19	55	17	22,0	30,0	38,0	62	18,1	160	150	55	3	M8	25,0	0,50	PHF FX52-19X55
	20	55	17	22,0	30,0	38,0	62	18,1	170	145	55	3	M8	25,0	0,50	PHF FX52-20X55
	22	55	17	22,0	30,0	38,0	62	25,3	280	185	75	3	M8	35,0	0,50	PHF FX52-22X55
	24	55	17	22,0	30,0	38,0	62	25,3	300	170	75	3	M8	35,0	0,50	PHF FX52-24X55
	25	55	17	22,0	30,0	38,0	72	25,3	310	165	75	3	M8	35,0	0,50	PHF FX52-25X55
	28	55	17	22,0	30,0	38,0	62	31,4	430	175	90	3	M8	41,0	0,40	PHF FX52-28X55
	30	55	17	22,0	30,0	38,0	62	31,4	470	165	90	3	M8	41,0	0,40	PHF FX52-30X55
	24	65	17	22,0	30,0	38,0	72	37,4	440	245	90	5	M8	30,0	0,70	PHF FX52-24X65
	25	65	17	22,0	30,0	38,0	72	37,4	460	235	90	5	M8	30,0	0,70	PHF FX52-25X65
	28	65	17	22,0	30,0	38,0	72	43,6	600	245	105	5	M8	35,0	0,60	PHF FX52-28X65
	30	65	17	22,0	30,0	38,0	72	43,6	640	230	105	5	M8	35,0	0,60	PHF FX52-30X65
	32	65	17	22,0	30,0	38,0	72	43,6	690	215	105	5	M8	35,0	0,60	PHF FX52-32X65
	35	65	17	22,0	30,0	38,0	72	52,5	910	235	130	5	M8	41,0	0,50	PHF FX52-35X65
	38	65	17	22,0	30,0	38,0	72	52,5	990	220	130	5	M8	41,0	0,50	PHF FX52-38X65
	40	65	17	22,0	30,0	38,0	72	52,5	1 050	205	130	5	M8	41,0	0,50	PHF FX52-40X65
	30	80	20	25,0	33,0	41,0	87	52,4	780	235	90	7	M8	30,0	1,00	PHF FX52-30X80
	32	80	20	25,0	33,0	41,0	87	52,4	830	220	90	7	M8	30,0	1,00	PHF FX52-32X80
	35	80	20	25,0	33,0	41,0	87	61,0	1 060	230	100	7	M8	35,0	1,00	PHF FX52-35X80
	38	80	20	25,0	33,0	41,0	87	61,0	1 150	215	100	7	M8	35,0	1,00	PHF FX52-38X80
40	80	20	25,0	33,0	41,0	87	61,0	1 220	205	100	7	M8	35,0	0,90	PHF FX52-40X80	
42	80	20	25,0	33,0	41,0	87	73,5	1 540	235	120	7	M8	41,0	0,90	PHF FX52-42X80	
45	80	20	25,0	33,0	41,0	87	73,5	1 650	220	120	7	M8	41,0	0,80	PHF FX52-45X80	
48	80	20	25,0	33,0	41,0	87	73,5	1 760	205	120	7	M8	41,0	0,80	PHF FX52-48X80	
50	80	20	25,0	33,0	41,0	87	73,5	1 830	195	120	7	M8	41,0	0,80	PHF FX52-50X80	
FX60	25	50	39	45,0	–	51,0	–	76,0	950	245	122	8	M6	17,0	0,50	PHF FX60-25X50
	28	55	39	45,0	–	51,0	–	76,0	1 070	219	111	8	M6	17,0	0,60	PHF FX60-28X55
	30	55	39	45,0	–	51,0	–	76,0	1 150	204	111	8	M6	17,0	0,60	PHF FX60-30X55
	35	60	39	45,0	–	51,0	–	76,0	1 340	175	102	8	M6	17,0	0,70	PHF FX60-35X60
	38	65	39	45,0	–	51,0	–	76,0	1 450	161	94	8	M6	17,0	0,70	PHF FX60-38X65
	40	65	39	45,0	–	51,0	–	76,0	1 530	153	94	8	M6	17,0	0,70	PHF FX60-40X65
	42	75	56	64,0	–	72,0	–	141,0	2 970	188	105	8	M8	41,0	1,00	PHF FX60-42X75
	45	75	56	64,0	–	72,0	–	141,0	3 150	175	105	8	M8	41,0	0,90	PHF FX60-45X75
	48	80	56	64,0	–	72,0	–	166,0	4 000	164	98	8	M8	41,0	1,40	PHF FX60-48X80
	50	80	56	64,0	–	72,0	–	166,0	4 150	158	98	8	M8	41,0	1,30	PHF FX60-50X80
	55	85	56	64,0	–	72,0	–	166,0	4 550	143	93	8	M8	41,0	1,50	PHF FX60-55X85
	60	90	56	64,0	–	72,0	–	207,0	6 200	164	109	10	M8	41,0	1,60	PHF FX60-60X90
	65	95	56	64,0	–	72,0	–	207,0	6 750	152	104	10	M8	41,0	1,80	PHF FX60-65X95
	70	110	70	78,0	–	88,0	–	330,0	11 550	179	114	10	M10	83,0	3,00	PHF FX60-70X110
	75	115	70	78,0	–	88,0	–	330,0	12 350	167	109	10	M10	83,0	3,30	PHF FX60-75X115
	80	120	70	78,0	–	88,0	–	396,0	15 800	188	125	12	M10	83,0	3,50	PHF FX60-80X120
	85	125	70	78,0	–	88,0	–	396,0	16 800	177	120	12	M10	83,0	3,70	PHF FX60-85X125
	90	130	70	78,0	–	88,0	–	396,0	17 800	167	115	12	M10	83,0	3,80	PHF FX60-90X130
	95	135	70	78,0	–	88,0	–	396,0	18 800	158	111	12	M10	83,0	5,00	PHF FX60-95X135
	100	145	90	100,0	–	112,0	–	576,0	28 800	170	117	12	M12	145,0	6,00	PHF FX60-100X145
110	155	90	100,0	–	112,0	–	576,0	31 700	155	110	12	M12	145,0	6,20	PHF FX60-110X155	
120	165	90	100,0	–	112,0	–	573,0	40 300	165	120	14	M12	145,0	7,20	PHF FX60-120X165	
130	180	104	116,0	–	130,0	–	791,0	51 400	155	112	12	M14	230,0	10,00	PHF FX60-130X180	
140	190	104	116,0	–	130,0	–	923,0	64 600	168	124	14	M14	230,0	10,20	PHF FX60-140X190	
150	200	104	116,0	–	130,0	–	1 055,0	79 100	179	135	16	M14	230,0	10,80	PHF FX60-150X200	
160	210	104	116,0	–	130,0	–	1 055,0	84 400	168	128	16	M14	230,0	11,50	PHF FX60-160X210	
170	225	134	146,0	–	162,0	–	1 283,0	109 000	149	113	14	M16	355,0	17,00	PHF FX60-170X225	
180	235	134	146,0	–	162,0	–	1 466,0	132 000	161	124	16	M16	355,0	18,50	PHF FX60-180X235	
190	250	134	146,0	–	162,0	–	1 466,0	139 000	153	116	16	M16	355,0	21,50	PHF FX60-190X250	



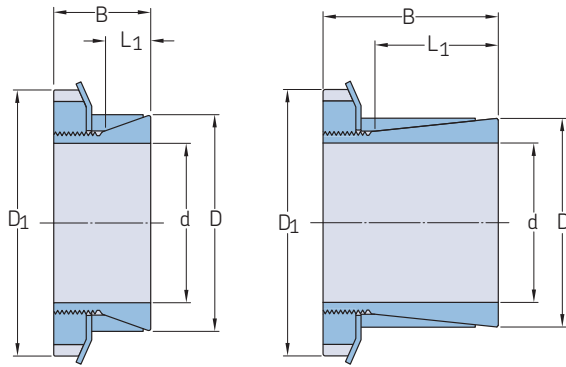
# FX keyless bushings

FX60

Bushing no.	Dimensions							Transmissible axial force $F_t$	Transmissible torque $M_t$	Shaft surface pressure $P_w$	Hub surface pressure $P_n$	Clamp screws  Quantity	Clamp screws size	Screw tightening torque $M_s$	Mass	Designation
	d	D	L <sub>1</sub>	L <sub>2</sub>	L <sub>3</sub>	B	D <sub>1</sub>									
–	mm							kN	Nm	N/mm <sup>2</sup>			Nm	kg	–	
FX60	200	260	134	146,0	–	162,0	–	1 466,0	146 500	145	112	16	M16	355,0	22,00	PHF FX60-200X260
	220	285	134	146,0	–	162,0	–	1 833,0	201 500	165	127	20	M16	355,0	25,00	PHF FX60-220X285
	240	305	134	146,0	–	162,0	–	2 017,0	242 000	166	131	22	M16	355,0	27,00	PHF FX60-240X305
	260	325	134	146,0	–	162,0	–	2 017,0	262 000	154	123	22	M16	355,0	30,00	PHF FX60-260X325
	280	355	165	177,0	–	197,0	–	2 862,0	400 000	164	130	20	M20	690,0	46,00	PHF FX60-280X355
	300	375	165	177,0	–	197,0	–	3 148,0	472 000	169	135	22	M20	690,0	50,00	PHF FX60-300X375
	320	405	165	177,0	–	197,0	–	3 148,0	503 500	158	125	22	M20	690,0	60,00	PHF FX60-320X405
	340	425	165	177,0	–	197,0	–	3 434,0	583 500	162	130	24	M20	690,0	65,00	PHF FX60-340X425
	360	455	190	202,0	–	224,0	–	3 918,0	705 000	152	120	22	M22	930,0	89,00	PHF FX60-360X455
	380	475	190	202,0	–	224,0	–	4 631,0	880 000	170	136	26	M22	930,0	93,00	PHF FX60-380X475
	400	495	190	202,0	–	224,0	–	4 631,0	926 000	162	131	26	M22	930,0	98,00	PHF FX60-400X495

FX keyless bushings

FX80 | FX90



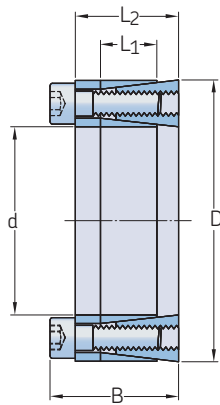
FX80

FX90

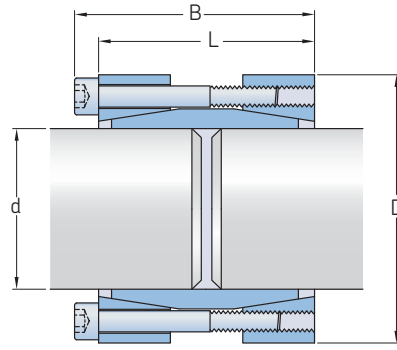
Bushing no.	Dimensions				Transmissible axial force $F_t$	Transmissible torque $M_t$	Shaft surface pressure $P_w$	Hub surface pressure $P_n$	Clamp screws sizes	Clamp screws nut	Screw tightening torque $M_s$	Mass	Designation	
	d	D	$L_1$	B										$D_1$
–	mm				kN	Nm	N/mm <sup>2</sup>				Nm	kg	–	
FX80	14	25	6,5	16,5	32	5,1	38	200	110	–	KM4	95,0	0,05	PHF FX80-14X25
	15	25	6,5	16,5	32	5,5	41	185	110	–	KM4	95,0	0,05	PHF FX80-15X25
	16	25	6,5	16,5	32	5,5	43	174	110	–	KM4	95,0	0,04	PHF FX80-16X25
	17	26	6,5	16,5	32	5,5	47	164	107	–	KM4	95,0	0,04	PHF FX80-17X26
	18	26	6,5	16,5	32	5,4	49	155	107	–	KM4	95,0	0,04	PHF FX80-18X26
	19	30	6,5	18,0	38	6,6	62	176	112	–	KM5	160,0	0,08	PHF FX80-19X30
	20	30	6,5	18,0	38	6,6	66	167	111	–	KM5	160,0	0,07	PHF FX80-20X30
	22	32	6,5	18,0	38	6,6	73	152	105	–	KM5	160,0	0,10	PHF FX80-22X32
	24	35	6,5	18,0	45	8,8	105	185	127	–	KM6	220,0	0,09	PHF FX80-24X35
	25	35	6,5	18,0	45	8,8	110	178	127	–	KM6	220,0	0,09	PHF FX80-25X35
	28	36	6,5	18,0	45	8,6	120	159	124	–	KM6	220,0	0,07	PHF FX80-28X36
	30	40	7,0	19,5	52	10,6	160	164	123	–	KM7	340,0	0,07	PHF FX80-30X40
	32	42	7,0	19,5	52	10,6	170	154	117	–	KM7	340,0	0,17	PHF FX80-32X42
	35	45	8,0	21,5	58	13,1	230	153	120	–	KM8	480,0	0,17	PHF FX80-35X45
	36	45	8,0	21,5	58	13,3	240	149	120	–	KM8	480,0	0,15	PHF FX80-36X45
38	48	8,0	21,5	58	13,1	250	141	112	–	KM8	480,0	0,15	PHF FX80-38X48	
40	52	10,0	24,5	65	15,5	310	120	93	–	KM9	680,0	0,24	PHF FX80-40X52	
42	55	10,0	25,5	65	15,2	320	114	87	–	KM9	680,0	0,25	PHF FX80-42X55	
45	57	10,0	25,5	70	17,7	400	122	96	–	KM10	870,0	0,28	PHF FX80-45X57	
48	62	10,0	25,5	75	20,8	500	135	105	–	KM11	970,0	0,32	PHF FX80-48X62	
50	62	10,0	25,5	75	20,8	520	130	105	–	KM11	970,0	0,30	PHF FX80-50X62	
55	68	12,0	27,5	80	22,0	610	103	84	–	KM12	1 100,0	0,36	PHF FX80-55X68	
56	68	12,0	27,5	80	22,0	620	101	82	–	KM12	1 100,0	0,34	PHF FX80-56X68	
60	73	12,0	28,5	85	26,6	800	113	93	–	KM13	1 300,0	0,40	PHF FX80-60X73	
63	79	14,0	30,5	92	31,1	980	107	86	–	KM14	1 600,0	0,56	PHF FX80-63X79	
65	79	14,0	30,5	92	31,1	1 010	104	86	–	KM14	1 600,0	0,52	PHF FX80-65X79	
70	84	14,0	31,5	98	35,4	1 240	110	92	–	KM15	2 000,0	0,60	PHF FX80-70X84	
FX90	14	25	20,0	30,0	32	9,0	64	85	45	KM4	–	95,0	0,08	PHF FX90-14X25
	15	25	20,0	30,0	32	9,0	70	80	45	KM4	–	95,0	0,08	PHF FX90-15X25
	16	25	20,0	30,0	32	9,0	73	75	45	KM4	–	95,0	0,07	PHF FX90-16X25
	17	25	20,0	32,0	32	9,0	80	70	45	KM4	–	160,0	0,07	PHF FX90-17X25
	18	30	20,0	32,0	38	9,0	83	65	40	KM4	–	160,0	0,12	PHF FX90-18X30
	19	30	20,0	32,0	38	11,0	105	75	45	KM5	–	160,0	0,12	PHF FX90-19X30
	20	30	20,0	32,0	38	11,0	112	70	45	KM5	–	160,0	0,11	PHF FX90-20X30
	22	35	25,0	36,0	45	14,0	163	70	45	KM6	–	220,0	0,18	PHF FX90-22X35
	24	35	25,0	36,0	45	14,0	178	65	45	KM6	–	220,0	0,16	PHF FX90-24X35
	25	35	25,0	36,0	45	14,0	185	60	45	KM6	–	220,0	0,15	PHF FX90-25X35
	28	40	30,0	42,0	52	17,0	250	55	40	KM7	–	340,0	0,24	PHF FX90-28X40
	30	40	30,0	42,0	52	17,0	270	50	40	KM7	–	340,0	0,21	PHF FX90-30X40
	32	45	30,0	44,0	58	21,0	350	60	45	KM8	–	480,0	0,32	PHF FX90-32X45
	35	45	30,0	44,0	58	21,0	390	55	45	KM8	–	480,0	0,26	PHF FX90-35X45
	38	50	30,0	45,0	65	26,0	500	60	45	KM9	–	680,0	0,35	PHF FX90-38X50
	40	50	30,0	45,0	65	26,0	520	55	45	KM9	–	680,0	0,33	PHF FX90-40X50
	42	55	30,0	46,0	70	30,0	680	60	50	KM10	–	870,0	0,43	PHF FX90-42X55
	45	55	30,0	46,0	70	30,0	680	60	50	KM10	–	870,0	0,39	PHF FX90-45X55
	48	60	30,0	46,0	75	35,0	840	60	50	KM11	–	970,0	0,45	PHF FX90-48X60
	50	60	30,0	46,0	75	35,0	880	60	50	KM11	–	970,0	0,40	PHF FX90-50X60
	55	65	30,0	46,0	80	37,0	1 030	60	50	KM12	–	1 100,0	0,44	PHF FX90-55X65
60	70	30,0	52,0	85	45,0	1 360	65	55	KM13	–	1 300,0	0,55	PHF FX90-60X70	

# FX keyless bushings

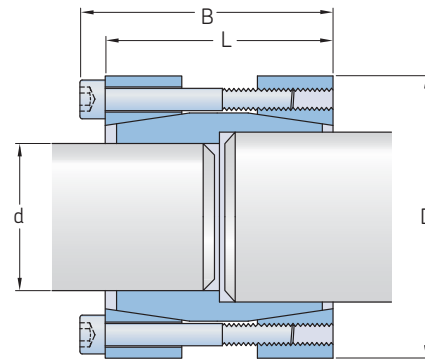
FX120 | FX130



FX120



FX130 Standard version

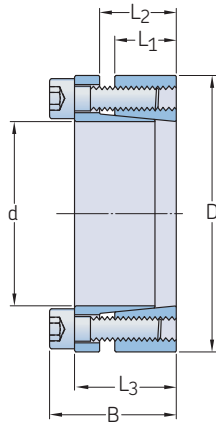


FX130 Double diameter version

Bushing no.	Dimensions					Transmissible axial force $F_t$	Transmissible torque $M_t$	Shaft surface pressure $P_w$	Hub surface pressure $P_n$	Clamp screws Quantity	Clamp screws size	Screw tightening torque $M_s$	Mass kg	Designation	
	d	D	L	$L_1$	$L_2$										B
	mm					kN	Nm	N/mm <sup>2</sup>				Nm	kg	-	
<b>FX120</b>	18	40	-	12,0	18,5	24,5	-	190	260	120	6	M6	16,0	-	PHF FX120-18X40
	19	41	-	12,0	18,5	24,5	-	210	260	120	6	M6	16,0	-	PHF FX120-19X41
	20	42	-	12,0	18,5	24,5	-	240	250	120	6	M6	16,0	-	PHF FX120-20X42
	24	46	-	12,0	18,5	24,5	-	290	250	120	6	M6	16,0	-	PHF FX120-24X46
	25	47	-	12,0	18,5	24,5	-	330	230	120	8	M6	16,0	-	PHF FX120-25X47
	28	50	-	12,0	18,5	24,5	-	370	220	120	8	M6	16,0	-	PHF FX120-28X50
	30	52	-	12,0	18,5	24,5	-	430	210	120	8	M6	16,0	-	PHF FX120-30X52
	35	57	-	15,0	22,0	28,0	-	610	170	100	12	M6	16,0	-	PHF FX120-35X57
	38	60	-	15,0	22,0	28,0	-	680	170	100	12	M6	16,0	-	PHF FX120-38X60
	40	62	-	15,0	22,0	28,0	-	780	170	100	12	M6	16,0	-	PHF FX120-40X62
	42	70	-	18,0	28,0	36,0	-	1 480	190	110	12	M8	41,0	-	PHF FX120-42X70
	45	73	-	18,0	28,0	36,0	-	1 500	210	130	12	M8	41,0	-	PHF FX120-45X73
	48	76	-	18,0	28,0	36,0	-	1 550	210	130	12	M8	41,0	-	PHF FX120-48X76
	50	78	-	18,0	28,0	36,0	-	1 650	190	120	12	M8	41,0	-	PHF FX120-50X78
	55	83	-	18,0	28,0	36,0	-	2 000	190	120	16	M8	41,0	-	PHF FX120-55X83
	60	88	-	18,0	28,0	36,0	-	2 350	190	120	16	M8	41,0	-	PHF FX120-60X88
	70	105	-	22,0	35,0	45,0	-	3 900	180	120	12	M10	70,0	-	PHF FX120-70X105
	80	115	-	22,0	35,0	45,0	-	4 800	170	120	16	M10	70,0	-	PHF FX120-80X115
<b>FX130</b>	17	50	50	-	-	56,0	24,5	210	-	-	4	M6	17,0	0,50	PHF FX130-17X50
	18	50	50	-	-	56,0	24,5	230	-	-	4	M6	17,0	0,50	PHF FX130-18X50
	19	50	50	-	-	56,0	24,5	240	-	-	4	M6	17,0	0,50	PHF FX130-19X50
	20	50	50	-	-	56,0	24,5	250	-	-	4	M6	17,0	0,50	PHF FX130-20X50
	22	55	60	-	-	66,0	24,5	270	-	-	4	M6	17,0	0,60	PHF FX130-22X55
	24	55	60	-	-	66,0	24,5	300	-	-	4	M6	17,0	0,60	PHF FX130-24X55
	25	55	60	-	-	66,0	36,5	460	-	-	6	M6	17,0	0,60	PHF FX130-25X55
	28	60	60	-	-	66,0	36,5	520	-	-	6	M6	17,0	0,70	PHF FX130-28X60
	30	60	60	-	-	66,0	36,5	560	-	-	6	M6	17,0	0,70	PHF FX130-30X60
	32	63	60	-	-	66,0	36,5	590	-	-	6	M6	17,0	0,70	PHF FX130-32X63
	35	75	75	-	-	83,0	45,5	770	-	-	4	M8	41,0	1,30	PHF FX130-35X75
	38	75	75	-	-	83,0	45,5	860	-	-	4	M8	41,0	1,30	PHF FX130-38X75
	40	75	75	-	-	83,0	45,5	910	-	-	4	M8	41,0	1,30	PHF FX130-40X75
	42	78	75	-	-	83,0	45,5	940	-	-	4	M8	41,0	2,00	PHF FX130-42X78
	45	85	85	-	-	93,0	67,5	1 530	-	-	6	M8	41,0	2,20	PHF FX130-45X85
	48	90	85	-	-	93,0	67,5	1 610	-	-	6	M8	41,0	2,40	PHF FX130-48X90
	50	90	85	-	-	93,0	67,5	1 700	-	-	6	M8	41,0	2,30	PHF FX130-50X90
	55	94	85	-	-	93,0	90,5	2 460	-	-	8	M8	41,0	2,90	PHF FX130-55X94
	60	100	85	-	-	93,0	90,5	2 720	-	-	8	M8	41,0	3,20	PHF FX130-60X100
	65	105	85	-	-	93,0	90,5	2 940	-	-	8	M8	41,0	3,00	PHF FX130-65X105
	70	115	100	-	-	110,0	107,5	3 780	-	-	6	M10	83,0	4,30	PHF FX130-70X115
	75	125	100	-	-	110,0	107,5	4 040	-	-	6	M10	83,0	5,00	PHF FX130-75X125
	80	125	100	-	-	110,0	107,5	4 300	-	-	6	M10	83,0	4,70	PHF FX130-80X125

# FX keyless bushings

FX140

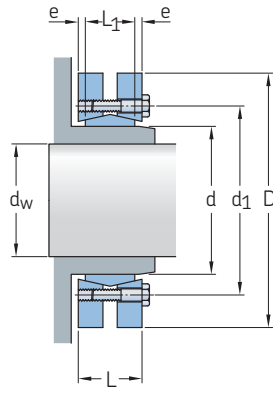


FX140

Bushing no.	Dimensions						Transmissible axial force $F_t$	Transmissible torque $M_t$	Shaft surface pressure $P_w$	Hub surface pressure $P_n$	Clamp screws Quantity	Clamp screws size	Screw tightening torque $M_s$	Mass	Designation
	$d$	$D$	$L_1$	$L_2$	$L_3$	$B$									
–	mm						kN	Nm	N/mm <sup>2</sup>				Nm	kg	–
FX140	18	40	12,0	15,0	20,0	24,0	23,7	210	235	130	6	M4	5,0	0,20	PHF FX140-18X40
	19	41	12,0	15,0	20,0	24,0	23,7	220	220	128	6	M4	5,0	0,20	PHF FX140-19X41
	20	42	12,0	15,0	20,0	24,0	27,7	270	245	145	7	M4	5,0	0,20	PHF FX140-20X42
	22	44	12,0	15,0	20,0	24,0	27,7	300	225	140	7	M4	5,0	0,20	PHF FX140-22X44
	24	46	12,0	15,0	20,0	24,0	27,7	330	205	135	7	M4	5,0	0,20	PHF FX140-24X46
	25	47	12,0	15,0	20,0	24,0	27,7	340	195	130	7	M4	5,0	0,20	PHF FX140-25X47
	28	50	12,0	15,0	20,0	24,0	35,6	500	225	155	9	M4	5,0	0,20	PHF FX140-28X50
	30	52	12,0	15,0	20,0	24,0	35,6	530	210	151	9	M4	5,0	0,20	PHF FX140-30X52
	32	54	12,0	15,0	20,0	24,0	35,6	570	197	146	9	M4	5,0	0,20	PHF FX140-32X54
	35	57	16,0	19,0	24,0	28,0	39,5	690	158	115	10	M4	5,0	0,30	PHF FX140-35X57
	36	58	16,0	19,0	24,0	28,0	39,5	710	155	113	10	M4	5,0	0,30	PHF FX140-36X58
	38	60	16,0	19,0	24,0	28,0	43,5	830	160	120	11	M4	5,0	0,30	PHF FX140-38X60
40	62	16,0	19,0	24,0	28,0	43,5	870	150	116	11	M4	5,0	0,40	PHF FX140-40X62	
42	70	19,0	23,0	30,0	36,0	73,0	1 530	200	146	8	M6	17,0	0,60	PHF FX140-42X70	
45	73	19,0	23,0	30,0	36,0	73,0	1 640	185	140	8	M6	17,0	0,60	PHF FX140-45X73	
48	76	19,0	23,0	30,0	36,0	73,0	1 750	175	134	8	M6	17,0	0,60	PHF FX140-48X76	
50	78	19,0	23,0	30,0	36,0	73,0	1 820	165	131	8	M6	17,0	0,60	PHF FX140-50X78	
55	83	19,0	23,0	30,0	36,0	73,0	2 000	150	123	8	M6	17,0	0,70	PHF FX140-55X83	
56	84	19,0	23,0	30,0	36,0	73,0	2 040	150	120	8	M6	17,0	0,70	PHF FX140-56X84	
60	88	19,0	23,0	30,0	36,0	82,1	2 460	158	130	9	M6	17,0	0,70	PHF FX140-60X88	
63	91	19,0	23,0	30,0	36,0	82,1	2 580	150	125	9	M6	17,0	0,90	PHF FX140-63X91	
65	93	19,0	23,0	30,0	36,0	82,1	2 660	140	120	9	M6	17,0	1,00	PHF FX140-65X93	
70	105	23,0	28,0	37,0	45,0	134,8	4 720	180	148	8	M8	41,0	1,50	PHF FX140-70X105	
75	110	23,0	28,0	37,0	45,0	134,8	5 050	170	140	8	M8	41,0	1,50	PHF FX140-75X110	
80	115	23,0	28,0	37,0	45,0	134,8	5 390	160	135	8	M8	41,0	1,70	PHF FX140-80X115	
85	120	23,0	28,0	37,0	45,0	134,8	5 730	150	130	8	M8	41,0	2,00	PHF FX140-85X120	
90	125	23,0	28,0	37,0	45,0	168,5	7 580	156	156	10	M8	41,0	2,30	PHF FX140-90X125	

# FX keyless bushings

## FX190

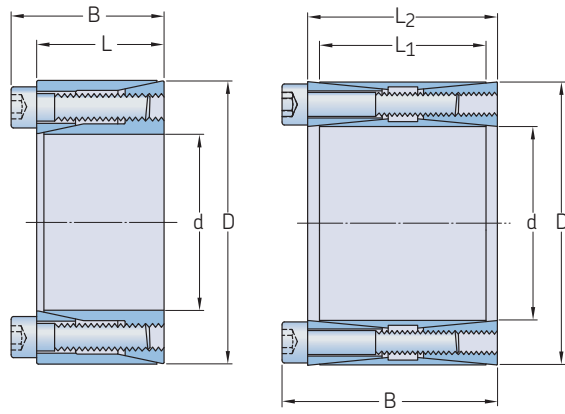


FX190

Bushings no.	Dimensions							Transmissible axial force $F_t$	Transmissible torque $M_t$	Clamp screws Quantity	Clamp screws size	Screw tightening torque $M_s$	Mass	Designation
	d	D	$d_w$	L	$L_1$	$d_1$	e							
-	mm							kN	Nm			Nm	kg	-
FX190	14	38	11	11,0	7,0	23,0	2,00	6,00	30	4	M5*	4,0	0,10	PHF FX190-14X38
	16	41	13	15,0	11,0	26,0	2,00	10,00	70	5	M5*	4,0	0,10	PHF FX190-16X41
	24	50	19	19,5	14,0	36,0	2,75	25,00	170	6	M5*	4,0	0,20	PHF FX190-24X50
	30	60	24	21,5	16,0	44,0	2,75	29,00	300	7	M5*	4,0	0,30	PHF FX190-30X60
	36	72	28	23,5	18,0	52,0	2,75	50,00	440	5	M6	12,0	0,40	PHF FX190-36X72
	44	80	32	25,5	20,0	61,0	2,75	64,00	620	7	M6	12,0	0,60	PHF FX190-44X80
	50	90	38	27,5	22,0	70,0	2,75	79,00	940	8	M6	12,0	0,80	PHF FX190-50X90
	55	100	42	30,5	23,0	75,0	3,75	79,00	1 160	8	M6	12,0	1,10	PHF FX190-55X100
	62	110	48	30,5	23,0	86,0	3,75	100,00	1 850	10	M6	12,0	1,30	PHF FX190-62X110
	68	115	50	30,5	23,0	86,0	3,75	97,00	2 000	10	M6	12,0	1,40	PHF FX190-68X115
	75	138	55	32,5	25,0	100,0	3,75	119,00	2 500	7	M8	30,0	1,70	PHF FX190-75X138
	80	145	60	32,5	25,0	100,0	3,75	124,00	3 200	7	M8	30,0	1,90	PHF FX190-80X145
	85	155	65	39,0	30,0	114,0	4,50	175,00	4 800	10	M8	30,0	3,50	PHF FX190-85X155
	90	155	65	39,0	30,0	114,0	4,50	170,00	4 750	10	M8	30,0	3,30	PHF FX190-90X155
	100	170	70	44,0	34,0	124,0	5,00	195,00	6 900	12	M8	30,0	4,70	PHF FX190-100X170
	110	185	75	50,0	39,0	136,0	5,50	229,00	7 200	9	M10	59,0	5,90	PHF FX190-110X185
	115	188	80	50,0	39,0	141,0	5,50	235,00	7 400	9	M10	59,0	5,50	PHF FX190-115X188
	120	215	80	54,0	42,0	160,0	6,00	285,00	10 600	12	M10	59,0	9,00	PHF FX190-120X215
	125	215	85	54,0	42,0	160,0	6,00	296,00	11 000	12	M10	59,0	8,30	PHF FX190-125X215
	130	215	90	54,0	42,0	160,0	6,00	304,00	11 300	12	M10	59,0	8,00	PHF FX190-130X215
	140	230	95	60,5	46,0	175,0	7,25	367,00	15 100	10	M12	100,0	10,00	PHF FX190-140X230
	155	265	105	64,5	50,0	192,0	7,25	447,00	22 000	12	M12	100,0	15,00	PHF FX190-155X265
	160	265	110	64,5	50,0	192,0	7,25	460,00	22 600	12	M12	100,0	14,50	PHF FX190-160X265
	165	290	115	71,0	56,0	210,0	7,50	595,00	31 000	8	M16	250,0	22,00	PHF FX190-165X290
	170	290	120	71,0	56,0	210,0	7,50	610,00	31 900	8	M16	250,0	21,00	PHF FX190-170X290
	175	300	125	71,0	56,0	220,0	7,50	605,00	36 000	8	M16	250,0	22,00	PHF FX190-175X300
	180	330	130	86,0	71,0	236,0	7,50	778,00	52 000	8	M16	250,0	21,00	PHF FX190-180X330
	185	330	135	86,0	71,0	236,0	7,50	778,00	52 000	10	M24	250,0	37,00	PHF FX190-185X330
	190	330	140	86,0	71,0	236,0	7,50	800,00	63 500	10	M16	250,0	36,00	PHF FX190-190X330
	195	350	140	86,0	71,0	246,0	7,50	933,00	65 000	12	M16	250,0	41,00	PHF FX190-195X350
	200	350	150	86,0	71,0	246,0	7,50	990,00	74 000	12	M16	250,0	41,00	PHF FX190-200X350
	220	370	160	104,0	88,0	270,0	8,00	1 190,00	95 000	15	M16	250,0	54,00	PHF FX190-220X370
	240	405	170	109,0	92,0	295,0	8,50	1 464,00	120 000	12	M20	490,0	67,00	PHF FX190-240X405
	260	430	190	120,0	103,0	321,0	8,50	1 760,00	164 000	14	M20	490,0	82,00	PHF FX190-260X430
	280	460	210	134,0	114,0	346,0	10,00	2 090,00	217 000	16	M20	490,0	102,00	PHF FX190-280X460
	300	485	230	142,0	122,0	364,0	10,00	2 431,00	275 000	18	M20	490,0	118,00	PHF FX190-300X485
320	520	240	142,0	122,0	386,0	10,00	2 647,00	312 000	20	M20	490,0	131,00	PHF FX190-320X520	
340	570	250	156,0	134,0	408,0	11,00	3 119,00	390 000	24	M20	490,0	186,00	PHF FX190-340X570	
350	580	270	162,0	140,0	432,0	11,00	3 276,00	442 000	24	M20	490,0	195,00	PHF FX190-350X580	
360	590	280	162,0	140,0	432,0	11,00	3 310,00	463 000	24	M20	490,0	204,00	PHF FX190-360X590	
380	645	290	168,0	144,0	458,0	12,00	3 910,00	567 000	20	M24	840,0	239,00	PHF FX190-380X645	
390	660	300	168,0	144,0	468,0	12,00	4 160,00	624 000	21	M24	840,0	260,00	PHF FX190-390X660	
400	680	315	168,0	144,0	480,0	12,00	4 260,00	670 000	21	M24	840,0	280,00	PHF FX190-400X680	
420	690	330	188,0	164,0	504,0	12,00	4 850,00	780 000	24	M24	840,0	316,00	PHF FX190-420X690	
440	750	340	202,0	177,0	527,0	12,50	4 740,00	806 000	24	M24	840,0	408,00	PHF FX190-440X750	
460	770	360	202,0	177,0	547,0	12,50	5 670,00	1 000 000	28	M24	840,0	420,00	PHF FX190-460X770	
480	800	380	213,0	188,0	570,0	12,50	6 150,00	1 170 000	30	M24	840,0	505,00	PHF FX190-480X800	

FX keyless bushings

FX350 | FX400



FX350

FX400

Bushing no.	Dimensions						Transmissible axial force $F_t$	Transmissible torque $M_t$	Shaft surface pressure $P_w$	Hub surface pressure $P_n$	Clamp screws Quantity	Clamp screws size	Screw tightening torque	Mass	Designation	
	d	D	L	L <sub>1</sub>	L <sub>2</sub>	B										
mm																
kN																
Nm																
N/mm <sup>2</sup>																
Nm																
kg																
FX350	10	20	13	-	-	15,5	-	15	110	55	4	M2.5	1,2	0,02	PHF FX350-10X20	
	12	22	13	-	-	15,5	-	20	90	50	4	M2.5	1,2	0,02	PHF FX350-12X22	
	14	26	17	-	-	20,0	-	35	105	55	4	M3	2,1	0,04	PHF FX350-14X26	
	15	28	17	-	-	20,0	-	40	100	50	4	M3	2,1	0,04	PHF FX350-15X28	
	16	32	17	-	-	21,0	-	70	130	65	4	M4	4,9	0,07	PHF FX350-16X32	
	18	35	21	-	-	25,0	-	80	115	60	4	M4	4,9	0,09	PHF FX350-18X35	
	19	35	21	-	-	25,0	-	85	110	60	4	M4	4,9	0,08	PHF FX350-19X35	
	20	38	21	-	-	26,0	-	220	220	115	6	M5	10,0	0,10	PHF FX350-20X38	
	22	40	21	-	-	26,0	-	240	200	110	6	M5	10,0	0,11	PHF FX350-22X40	
	24	47	26	-	-	32,0	-	380	220	110	6	M6	17,0	0,19	PHF FX350-24X47	
		25	47	26	-	-	32,0	-	390	210	110	6	M6	17,0	0,19	PHF FX350-25X47
	FX400	45	75	-	56,0	64,0	72,0	155	3 460	165	100	8	M8	41,0	1,30	PHF FX400-45X75
48		80	-	56,0	64,0	72,0	155	3 680	150	95	8	M8	41,0	1,50	PHF FX400-48X80	
50		80	-	56,0	64,0	72,0	155	3 820	147	95	8	M8	41,0	1,40	PHF FX400-50X80	
55		85	-	56,0	64,0	72,0	155	4 260	135	85	8	M8	41,0	1,50	PHF FX400-55X85	
60		90	-	56,0	64,0	72,0	190	5 820	155	100	10	M8	41,0	1,50	PHF FX400-60X90	
65		95	-	56,0	64,0	72,0	190	6 270	140	95	10	M8	41,0	1,60	PHF FX400-65X95	
70		110	-	70,0	78,0	88,0	305	10 730	170	105	10	M10	83,0	3,00	PHF FX400-70X110	
75		115	-	70,0	78,0	88,0	305	11 540	155	100	10	M10	83,0	3,10	PHF FX400-75X115	
80		120	-	70,0	78,0	88,0	369	14 700	175	115	12	M10	83,0	3,50	PHF FX400-80X120	
85		125	-	70,0	78,0	88,0	369	15 700	165	110	12	M10	83,0	3,50	PHF FX400-85X125	
90		130	-	70,0	78,0	88,0	370	16 610	157	106	12	M10	83,0	3,80	PHF FX400-90X130	
95		135	-	70,0	78,0	88,0	370	17 530	150	102	12	M10	83,0	4,00	PHF FX400-95X135	
100		145	-	90,0	100,0	112,0	538	26 900	160	110	12	M12	145,0	6,00	PHF FX400-100X145	
110		155	-	90,0	100,0	112,0	538	29 530	143	102	12	M12	145,0	6,20	PHF FX400-110X155	
120		165	-	90,0	100,0	112,0	628	37 610	154	112	14	M12	145,0	6,80	PHF FX400-120X165	
130		180	-	104,0	116,0	130,0	738	48 000	143	106	12	M14	230,0	9,80	PHF FX400-130X180	
140		190	-	104,0	116,0	130,0	861	60 290	160	117	14	M14	230,0	10,20	PHF FX400-140X190	
150		200	-	104,0	116,0	130,0	985	73 800	165	125	16	M14	230,0	10,90	PHF FX400-150X200	
160		210	-	104,0	116,0	130,0	983	78 770	155	118	16	M14	230,0	11,50	PHF FX400-160X210	
170		225	-	134,0	146,0	162,0	1197	101 730	140	108	14	M16	355,0	17,20	PHF FX400-170X225	
180		235	-	134,0	146,0	162,0	1369	123 200	150	115	16	M16	355,0	18,00	PHF FX400-180X235	
190		250	-	134,0	146,0	162,0	1368	129 880	141	110	16	M16	355,0	21,50	PHF FX400-190X250	
200		260	-	134,0	146,0	162,0	1368	136 840	137	104	16	M16	355,0	22,00	PHF FX400-200X260	
220		285	-	134,0	146,0	162,0	1710	188 000	155	120	20	M16	355,0	25,00	PHF FX400-220X285	
240		305	-	134,0	146,0	162,0	1880	225 000	155	120	22	M16	355,0	27,00	PHF FX400-240X305	
260		325	-	134,0	146,0	162,0	1880	244 000	155	115	22	M16	355,0	30,00	PHF FX400-260X325	
280		355	-	165,0	177,0	197,0	2670	373 000	145	120	20	M20	690,0	46,00	PHF FX400-280X355	
300		375	-	165,0	177,0	197,0	2930	440 000	155	125	22	M20	690,0	50,00	PHF FX400-300X375	
320		405	-	165,0	177,0	197,0	2930	470 000	145	115	22	M20	690,0	60,00	PHF FX400-320X405	
340		425	-	165,0	177,0	197,0	3200	544 000	150	120	24	M20	690,0	65,00	PHF FX400-340X425	
360		455	-	190,0	202,0	224,0	3650	658 000	140	110	22	M22	930,0	89,00	PHF FX400-360X455	
380		475	-	190,0	202,0	224,0	4320	821 000	160	130	26	M22	930,0	93,00	PHF FX400-380X475	
400	495	-	190,0	202,0	224,0	4320	864 000	150	120	26	M22	930,0	98,00	PHF FX400-400X495		







# Sprockets



Metric sprockets, simplex, pilot bore ..... 176



ANSI sprockets, double simplex, taper bushed ..... 238



Metric sprockets, simplex, taper bushed ..... 186



ANSI sprockets, duplex, pilot bore . 239



Metric sprockets, double simplex, pilot bore ..... 192



ANSI sprockets, duplex, taper bushed ..... 244



Metric sprockets, double simplex, taper bushed ..... 194



ANSI sprockets, triplex, pilot bore . 246



Metric sprockets, duplex, standard 196



Metric sprockets, duplex, taper bushed ..... 201



Metric sprockets, triplex, standard. 204



Metric sprockets, triplex, taper bushed ..... 208



ANSI sprockets, simplex, pilot bore 209



ANSI sprockets, simplex, taper bushed ..... 232



ANSI sprockets, double simplex, pilot bore ..... 236



## SKF Sprockets

SKF sprocket range nomenclature has a defined prefix of PHS. All sprockets are made to be applied to standardized chains. SKF sprockets conform to conventional basic chain part number format – ISO, BS, or DIN.

## Sprockets

The sprocket range designation from SKF has the following is an example to indicate set up.

**PHS 80-1 TBH 22**

**SKF Designation prefix**

**Chain size and type** —————

Example:  
80-1 – ANSI series chain, simplex type  
16B-3 – ISO/BS series chain, triplex type

**Supplementary** —————

Many different supplementary designations, examples  
TBH- taper bushing type and hardened teeth  
C – Hub type C  
SS – stainless steel material

**Note**  
See SKF product training for full supplementary notations

**Teeth** —————

The number of teeth on the sprocket

**Supplementary**  
Possible other options and special requirements

## Sprockets (PHS Product Group)

All SKF sprockets are manufactured according to ISO606 & ASME B29.100 standard. The sprockets are made from steel material C-45 and premium carbon steel no. 20 on hub material if welded. For some special sprockets gray cast iron HT250 or cast iron 250 material is used.

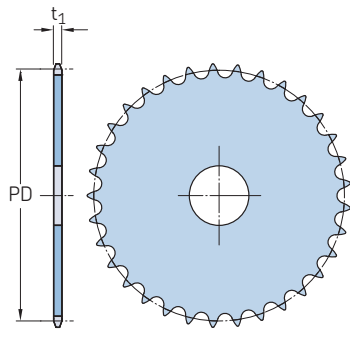
Sprockets 25T and below are hardened as standard (typically 35-40 HRC). This is only valid for sprocket teeths manufactured with steel material C-45. Surface treatment such as black oxide and zinc plating can be offered upon request.

Tolerances are machined according to DIN 8196.

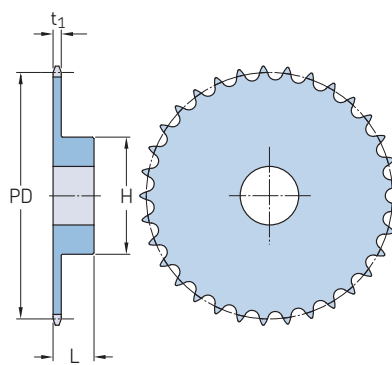
All sprockets are completely deburred and protected with rustproof oil.

Metric sprockets, simplex, pilot bore

ISO 05B-1 · 8 mm pitch



Type A



Type B

Pitch	Number of teeth	Pitch diameter	Type	Dimensions		Hub		Plate thickness	Mass	Designation
				Bore stock	Bore	H	L			
mm	-	mm	-	mm	mm	mm	mm	mm	kg	-
8	8	20,90	A	6	-	-	-	-	0,01	PHS 05B-1A8
			B	6	6	13	12	2,80	0,02	PHS 05B-1BH8
9	23,39	23,39	A	6	-	-	-	-	0,01	PHS 05B-1A9
			B	6	6	15	12	2,80	0,02	PHS 05B-1BH9
10	25,89	25,89	A	8	-	-	-	-	0,01	PHS 05B-1A10
			B	8	8	17	12	2,80	0,02	PHS 05B-1BH10
11	28,39	28,39	A	8	-	-	-	-	0,01	PHS 05B-1A11
			B	8	8	18	13	2,80	0,03	PHS 05B-1BH11
12	30,91	30,91	A	8	-	-	-	-	0,01	PHS 05B-1A12
			B	8	8	20	13	2,80	0,03	PHS 05B-1BH12
13	33,42	33,42	A	8	-	-	-	-	0,01	PHS 05B-1A13
			B	8	8	23	13	2,80	0,05	PHS 05B-1BH13
14	35,95	35,95	A	8	-	-	-	-	0,02	PHS 05B-1A14
			B	8	10	25	13	2,80	0,05	PHS 05B-1BH14
15	38,48	38,48	A	8	-	-	-	-	0,02	PHS 05B-1A15
			B	8	12	28	13	2,80	0,07	PHS 05B-1BH15
16	41,01	41,01	A	8	-	-	-	-	0,02	PHS 05B-1A16
			B	8	14	30	14	2,80	0,08	PHS 05B-1BH16
17	43,53	43,53	A	8	-	-	-	-	0,03	PHS 05B-1A17
			B	8	14	30	14	2,80	0,09	PHS 05B-1BH17
18	46,07	46,07	A	8	-	-	-	-	0,03	PHS 05B-1A18
			B	8	14	30	14	2,80	0,09	PHS 05B-1BH18
19	48,61	48,61	A	8	-	-	-	-	0,03	PHS 05B-1A19
			B	8	14	30	14	2,80	0,10	PHS 05B-1BH19
20	51,14	51,14	A	8	-	-	-	-	0,04	PHS 05B-1A20
			B	8	14	30	14	2,80	0,10	PHS 05B-1BH20
21	53,67	53,67	A	8	-	-	-	-	0,04	PHS 05B-1A21
			B	8	19	35	14	2,80	0,13	PHS 05B-1BH21
22	56,21	56,21	A	8	-	-	-	-	0,05	PHS 05B-1A22
			B	8	19	35	14	2,80	0,13	PHS 05B-1BH22
23	58,75	58,75	A	8	-	-	-	-	0,05	PHS 05B-1A23
			B	8	19	35	14	2,80	0,13	PHS 05B-1BH23
24	61,29	61,29	A	8	-	-	-	-	0,06	PHS 05B-1A24
			B	8	19	35	14	2,80	0,15	PHS 05B-1BH24
25	63,83	63,83	A	8	-	-	-	-	0,06	PHS 05B-1A25
			B	8	19	35	14	2,80	0,15	PHS 05B-1BH25
26	66,37	66,37	A	10	-	-	-	-	0,07	PHS 05B-1A26
			B	10	23	40	16	2,80	0,17	PHS 05B-1B26
27	68,91	68,91	A	10	-	-	-	-	0,07	PHS 05B-1A27
			B	10	23	40	16	2,80	0,19	PHS 05B-1B27
28	71,45	71,45	A	10	-	-	-	-	0,08	PHS 05B-1A28
			B	10	23	40	16	2,80	0,20	PHS 05B-1B28
29	73,99	73,99	A	10	-	-	-	-	0,08	PHS 05B-1A29
			B	10	23	40	16	2,80	0,21	PHS 05B-1B29

Pitch	Number of teeth	Pitch diameter	Type	Dimensions		Hub		Plate thickness	Mass	Designation
				Bore stock	Bore	H	L			
mm	-	mm	-	mm	mm	mm	mm	mm	kg	-
8	30	76,53	A	10	-	-	-	-	0,09	PHS 05B-1A30
			B	10	23	40	16	2,80	0,22	PHS 05B-1B30
31	79,08	79,08	A	10	-	-	-	-	0,10	PHS 05B-1A31
			B	10	23	40	16	2,80	0,23	PHS 05B-1B31
32	81,61	81,61	A	10	-	-	-	-	0,11	PHS 05B-1A32
			B	10	23	40	16	2,80	0,23	PHS 05B-1B32
33	84,16	84,16	A	10	-	-	-	-	0,12	PHS 05B-1A33
			B	10	23	40	16	2,80	0,24	PHS 05B-1B33
34	86,70	86,70	A	10	-	-	-	-	0,12	PHS 05B-1A34
			B	10	23	40	16	2,80	0,25	PHS 05B-1B34
35	89,24	89,24	A	10	-	-	-	-	0,12	PHS 05B-1A35
			B	10	23	40	16	2,80	0,25	PHS 05B-1B35
36	91,79	91,79	A	10	-	-	-	-	0,13	PHS 05B-1A36
			B	10	23	40	16	2,80	0,26	PHS 05B-1B36
37	94,33	94,33	A	10	-	-	-	-	0,14	PHS 05B-1A37
			B	10	23	40	16	2,80	0,26	PHS 05B-1B37
38	96,88	96,88	A	10	-	-	-	-	0,15	PHS 05B-1A38
			B	10	23	40	16	2,80	0,27	PHS 05B-1B38
39	99,42	99,42	A	10	-	-	-	-	0,16	PHS 05B-1A39
			B	10	23	40	16	2,80	0,28	PHS 05B-1B39
40	101,97	101,97	A	10	-	-	-	-	0,16	PHS 05B-1A40
			B	10	23	40	16	2,80	0,28	PHS 05B-1B40
41	104,51	104,51	A	12	-	-	-	-	0,17	PHS 05B-1A41
			B	10	23	60	20	2,80	0,29	PHS 05B-1B41
42	107,05	107,05	A	12	-	-	-	-	0,18	PHS 05B-1A42
			B	10	23	60	20	2,80	0,30	PHS 05B-1B42
43	109,60	109,60	A	12	-	-	-	-	0,19	PHS 05B-1A43
			B	10	23	60	20	2,80	0,30	PHS 05B-1B43
44	112,14	112,14	A	12	-	-	-	-	0,20	PHS 05B-1A44
			B	10	23	60	20	2,80	0,31	PHS 05B-1B44
45	114,69	114,69	A	12	-	-	-	-	0,21	PHS 05B-1A45
			B	12	40	60	20	2,80	0,31	PHS 05B-1B45
46	117,23	117,23	A	12	-	-	-	-	0,21	PHS 05B-1A46
			B	12	40	60	20	2,80	0,32	PHS 05B-1B46
47	119,77	119,77	A	12	-	-	-	-	0,32	PHS 05B-1A47
			B	12	40	60	20	2,80	0,33	PHS 05B-1B47
48	122,32	122,32	A	12	-	-	-	-	0,34	PHS 05B-1A48
			B	12	40	60	20	2,80	0,33	PHS 05B-1B48
54	137,59	137,59	A	14	-	-	-	-	0,67	PHS 05B-1A54
			B	12	40	80	20	2,80	0,37	PHS 05B-1B54
57	145,22	145,22	A	14	-	-	-	-	1,47	PHS 05B-1A57
			B	14	55	80	20	2,80	0,39	PHS 05B-1B57
60	152,85	152,85	A	14	-	-	-	-	1,53	PHS 05B-1A60
			B	14	55	80	34	2,80	0,41	PHS 05B-1B60

Maximum bores can accommodate standard keyways. Larger bores are available where a shallow keyway is used or no keyway is required. All Type B or C sprockets, up to and including 25 tooth, are with hardened teeth as standard. For any additional size sprockets with hardened teeth, add "H" before the number of teeth, e.g. PHS 08B-1AH8.

**Metric sprockets, simplex, pilot bore**

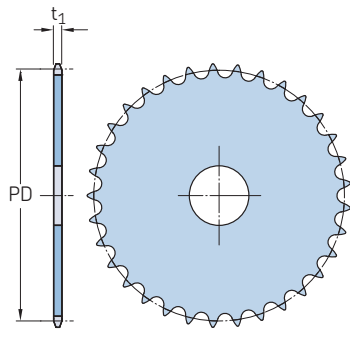
ISO 05B-1 · 8 mm pitch | ISO 06B-1 · 9,525 mm pitch

Pitch	Number of teeth	Pitch diameter	Type	Dimensions		Hub		Plate thickness	Mass	Designation	Pitch	Number of teeth	Pitch diameter	Type	Dimensions		Hub		Plate thickness	Mass	Designation					
				Bore stock	Bore	H	L								Bore stock	Bore	H	L								
		PD		Min.	Max.			t <sub>1</sub>	kg						Min.	Max.			t <sub>1</sub>	kg						
mm	-	mm	-	mm						-	mm	-	mm	-	mm					kg	-					
8	64	163,04	A B	16	-	-	80	34	2,80	1,62 0,43	PHS 05B-1A64 PHS 05B-1B64	9,525	28	85,07	A B	10	-	-	60	28	5,31	0,21 0,70	PHS 06B-1A28 PHS 06B-1B28			
		70	178,31	A B	16	-	55	80	34	2,80	1,74 0,47		PHS 05B-1A70 PHS 05B-1B70		29	88,09	A B	10	-	-	60	28	5,31	0,23 0,72	PHS 06B-1A29 PHS 06B-1B29	
		72	183,41	A B	20	-	-	80	34	2,80	1,79 0,48		PHS 05B-1A72 PHS 05B-1B72		30	91,12	A B	10	-	-	60	28	5,31	0,25 0,77	PHS 06B-1A30 PHS 06B-1B30	
		76	193,59	A B	20	-	55	80	34	2,80	1,87 0,51		PHS 05B-1A76 PHS 05B-1B76		31	94,15	A B	12	-	-	65	30	5,31	0,26 0,88	PHS 06B-1A31 PHS 06B-1B31	
		80	203,77	A B	20	-	-	80	34	2,80	1,95 0,53		PHS 05B-1A80 PHS 05B-1B80		32	97,17	A B	12	-	-	65	30	5,31	0,28 0,90	PHS 06B-1A32 PHS 06B-1B32	
		84	213,95	A B	20	-	-	80	34	2,80	2,04 0,56		PHS 05B-1A84 PHS 05B-1B84		33	100,20	A B	12	-	-	65	30	5,31	0,30 0,91	PHS 06B-1A33 PHS 06B-1B33	
		90	229,23	A B	20	-	55	80	34	2,80	2,16 0,60		PHS 05B-1A90 PHS 05B-1B90		34	103,23	A B	12	-	-	65	30	5,31	0,32 0,94	PHS 06B-1A34 PHS 06B-1B34	
		95	241,96	A B	20	-	-	80	34	2,80	2,27 0,63		PHS 05B-1A95 PHS 05B-1B95		35	106,26	A B	12	-	-	65	30	5,31	0,34 0,95	PHS 06B-1A35 PHS 06B-1B35	
		96	244,50	A B	20	-	-	80	34	2,80	2,29 0,63		PHS 05B-1A96 PHS 05B-1B96		36	109,29	A B	12	-	-	70	30	5,31	0,35 1,07	PHS 06B-1A36 PHS 06B-1B36	
		114	290,33	A B	20	-	-	88	39	2,80	2,67 0,75		PHS 05B-1A114 PHS 05B-1B114		37	112,32	A B	12	-	-	70	30	5,31	0,38 1,09	PHS 06B-1A37 PHS 06B-1B37	
	9,525	8	24,89	A B	6	-	-	15+20			0,02 0,03		PHS 06B-1A8 PHS 06B-1BH8		38	115,35	A B	12	-	-	70	30	5,31	0,39 1,10	PHS 06B-1A38 PHS 06B-1B38	
			9	27,85	A B	8	-	-	18+20				0,02 0,04	PHS 06B-1A9 PHS 06B-1BH9		39	118,37	A B	12	-	-	70	30	5,31	0,42 1,12	PHS 06B-1A39 PHS 06B-1B39
			10	30,82	A B	8	-	-	20	20	5,31		0,02 0,06	PHS 06B-1A10 PHS 06B-1BH10		40	121,40	A B	12	-	-	70	30	5,31	0,44 1,16	PHS 06B-1A40 PHS 06B-1B40
			11	33,80	A B	8	-	-	22	25	5,31		0,03 0,08	PHS 06B-1A11 PHS 06B-1BH11		41	124,43	A B	16	-	-	78	32	5,31	0,46 1,28	PHS 06B-1A41 PHS 06B-1B41
		12	36,80	A B	8	-	-	25	25	5,31	0,04 0,10	PHS 06B-1A12 PHS 06B-1BH12		42	127,46	A B	16	-	-	78	32	5,31	0,48 1,36	PHS 06B-1A42 PHS 06B-1B42		
		13	39,79	A B	8	-	-	28	25	5,31	0,05 0,12	PHS 06B-1A13 PHS 06B-1BH13		43	130,49	A B	16	-	-	78	32	5,31	0,51 1,44	PHS 06B-1A43 PHS 06B-1B43		
		14	42,80	A B	8	-	-	31	25	5,31	0,05 0,15	PHS 06B-1A14 PHS 06B-1BH14		44	133,52	A B	16	-	-	78	32	5,31	0,54 1,52	PHS 06B-1A44 PHS 06B-1B44		
		15	45,81	A B	8	-	-	34	25	5,31	0,06 0,19	PHS 06B-1A15 PHS 06B-1BH15		45	136,55	A B	16	-	-	78	32	5,31	0,56 1,40	PHS 06B-1A45 PHS 06B-1B45		
		16	48,82	A B	10	-	-	37	28	5,31	0,07 0,24	PHS 06B-1A16 PHS 06B-1BH16		46	139,58	A B	16	-	-	78	32	5,31	0,59 1,68	PHS 06B-1A46 PHS 06B-1B46		
		17	51,83	A B	10	-	-	40	28	5,31	0,07 0,29	PHS 06B-1A17 PHS 06B-1BH17		47	142,61	A B	16	-	-	78	32	5,31	0,61 1,76	PHS 06B-1A47 PHS 06B-1B47		
		18	54,85	A B	10	-	-	43	28	5,31	0,08 0,33	PHS 06B-1A18 PHS 06B-1BH18		48	145,64	A B	16	-	-	78	32	5,31	0,63 1,84	PHS 06B-1A48 PHS 06B-1B48		
		19	57,87	A B	10	-	-	45	28	5,31	0,09 0,37	PHS 06B-1A19 PHS 06B-1BH19		50	151,69	A B	16	-	-	78	32	5,31	0,65 2,06	PHS 06B-1A50 PHS 06B-1B50		
		20	60,89	A B	10	-	-	46	28	5,31	0,10 0,39	PHS 06B-1A20 PHS 06B-1BH20		54	163,82	A B	16	-	-	78	32	5,31	0,68 2,32	PHS 06B-1A54 PHS 06B-1B54		
	21	63,91	A B	10	-	-	48	28	5,31	0,11 0,42	PHS 06B-1A21 PHS 06B-1BH21		57	172,91	A B	16	-	-	78	32	5,31	1,71 1,70	PHS 06B-1A57 PHS 06B-1B57			
	22	66,93	A B	10	-	-	50	28	5,31	0,13 0,46	PHS 06B-1A22 PHS 06B-1BH22		60	182,00	A B	16	-	-	78	32	5,31	0,91 2,80	PHS 06B-1A60 PHS 06B-1B60			
	23	69,95	A B	10	-	-	52	28	5,31	0,14 0,50	PHS 06B-1A23 PHS 06B-1BH23		64	194,12	A B	20	-	-	78	32	5,31	0,97 3,12	PHS 06B-1A64 PHS 06B-1B64			
	24	72,97	A B	10	-	-	54	28	5,31	0,15 0,54	PHS 06B-1A24 PHS 06B-1BH24		65	197,15	A B	20	-	-	78	32	5,31	1,01 3,31	PHS 06B-1A65 PHS 06B-1B65			
	25	76,00	A B	10	-	-	57	28	5,31	0,17 0,60	PHS 06B-1A25 PHS 06B-1BH25		70	212,30	A B	20	-	-	78	32	5,31	1,06 3,60	PHS 06B-1A70 PHS 06B-1B70			
	26	79,02	A B	10	-	-	60	28	5,31	0,18 0,67	PHS 06B-1A26 PHS 06B-1B26		72	218,37	A B	20	-	-	78	32	5,31	1,09 3,76	PHS 06B-1A72 PHS 06B-1B72			
	27	82,05	A B	10	-	-	60	28	5,31	0,19 0,68	PHS 06B-1A27 PHS 06B-1B27		76	230,49	A B	20	-	-	78	32	5,31	1,64 2,79	PHS 06B-1A76 PHS 06B-1B76			

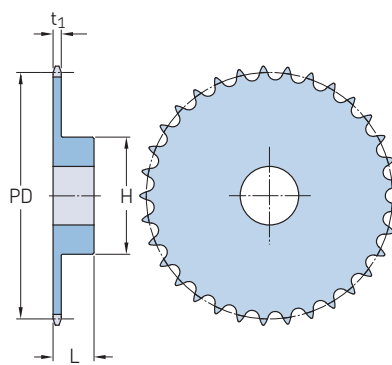
Maximum bores can accommodate standard keyways. Larger bores are available where a shallow keyway is used or no keyway is required. All Type B or C sprockets, up to and including 25 tooth, are with hardened teeth as standard. For any additional size sprockets with hardened teeth, add "H" before the number of teeth, e.g. PHS 08B-1AH8.

Metric sprockets, simplex, pilot bore

ISO 06B-1 · 9,525 mm pitch | ISO 08B-1 · 12,70 mm pitch



Type A



Type B

Pitch	Number of teeth	Pitch diameter	Type	Dimensions		Hub		Plate thickness	Mass	Designation
				Bore stock	Bore	H	L			
mm	-	mm	-	mm	mm	mm	mm	t <sub>1</sub>	kg	-
9,525	80	242,61	A	20	-	-	-	-	1,53	PHS 06B-1A80
			B	-	14	52	78	32	5,31	4,40
	84	254,74	A	20	-	-	-	-	1,60	PHS 06B-1A84
			B	-	14	52	80	32	5,31	4,72
	85	257,77	A	20	-	-	-	-	1,66	PHS 06B-1A85
			B	-	14	52	80	32	5,31	4,93
	90	272,93	A	20	-	-	-	-	1,72	PHS 06B-1A90
			B	-	14	55	80	32	5,31	5,20
	92	278,99	A	20	-	-	-	-	2,16	PHS 06B-1A92
			B	-	14	55	80	32	5,31	5,45
	95	288,08	A	20	-	-	-	-	2,60	PHS 06B-1A95
B			-	14	55	80	32	5,31	3,95	PHS 06B-1B95
96	291,11	A	20	-	-	-	-	2,20	PHS 06B-1A96	
		B	-	14	55	80	32	5,31	5,68	PHS 06B-1B96
114	345,68	A	20	-	-	-	-	3,13	PHS 06B-1A114	
		B	-	14	55	80	32	5,31	7,12	PHS 06B-1B114
12,70	8	33,18	A	8	-	-	-	-	0,03	PHS 08B-1A8
			B	-	10	10	20	25	7,37	0,06
	9	37,13	A	8	-	-	-	-	0,04	PHS 08B-1A9
			B	-	10	10	24	25	7,37	0,09
	10	41,10	A	8	-	-	-	-	0,06	PHS 08B-1A10
			B	-	10	11	26	25	7,37	0,12
	11	45,07	A	10	-	-	-	-	0,07	PHS 08B-1A11
			B	-	10	13	29	25	7,37	0,15
	12	49,07	A	10	-	-	-	-	0,09	PHS 08B-1A12
			B	-	10	17	33	28	7,37	0,21
	13	53,06	A	10	-	-	-	-	0,10	PHS 08B-1A13
B			-	10	20	37	28	7,37	0,27	PHS 08B-1B13
14	57,07	A	10	-	-	-	-	0,12	PHS 08B-1A14	
		B	-	10	24	41	28	7,37	0,33	PHS 08B-1B14
15	61,09	A	10	-	-	-	-	0,13	PHS 08B-1A15	
		B	-	10	28	45	28	7,37	0,39	PHS 08B-1B15
16	65,10	A	10	-	-	-	-	0,16	PHS 08B-1A16	
		B	-	12	30	50	28	7,37	0,46	PHS 08B-1B16
17	69,11	A	10	-	-	-	-	0,18	PHS 08B-1A17	
		B	-	12	30	52	28	7,37	0,51	PHS 08B-1B17
18	73,14	A	10	-	-	-	-	0,20	PHS 08B-1A18	
		B	-	12	35	56	28	7,37	0,59	PHS 08B-1B18
19	77,16	A	10	-	-	-	-	0,23	PHS 08B-1A19	
		B	-	12	40	60	28	7,37	0,67	PHS 08B-1B19
20	81,19	A	10	-	-	-	-	0,25	PHS 08B-1A20	
		B	-	12	40	64	28	7,37	0,77	PHS 08B-1B20
21	85,22	A	12	-	-	-	-	0,26	PHS 08B-1A21	
		B	-	12	40	68	28	7,37	0,85	PHS 08B-1B21

Pitch	Number of teeth	Pitch diameter	Type	Dimensions		Hub		Plate thickness	Mass	Designation
				Bore stock	Bore	H	L			
mm	-	mm	-	mm	mm	mm	mm	t <sub>1</sub>	kg	-
12,70	22	89,24	A	12	-	-	-	-	0,30	PHS 08B-1A22
			B	-	12	40	70	28	7,37	0,92
	23	93,27	A	12	-	-	-	-	0,34	PHS 08B-1A23
			B	-	14	40	70	28	7,37	0,95
	24	97,29	A	12	-	-	-	-	0,37	PHS 08B-1A24
			B	-	14	40	70	28	7,37	0,98
	25	101,33	A	12	-	-	-	-	0,41	PHS 08B-1A25
			B	-	14	40	70	28	7,37	1,01
	26	105,36	A	16	-	-	-	-	0,44	PHS 08B-1A26
			B	-	16	46	70	30	7,37	1,09
	27	109,40	A	16	-	-	-	-	0,48	PHS 08B-1A27
B			-	16	46	70	30	7,37	1,13	PHS 08B-1B27
28	113,42	A	16	-	-	-	-	0,51	PHS 08B-1A28	
		B	-	16	46	70	30	7,37	1,17	PHS 08B-1B28
29	117,46	A	16	-	-	-	-	0,55	PHS 08B-1A29	
		B	-	16	46	80	30	7,37	1,41	PHS 08B-1B29
30	121,50	A	16	-	-	-	-	0,59	PHS 08B-1A30	
		B	-	16	46	80	30	7,37	1,46	PHS 08B-1B30
31	125,54	A	16	-	-	-	-	0,63	PHS 08B-1A31	
		B	-	16	46	90	30	7,37	1,75	PHS 08B-1B31
32	129,56	A	16	-	-	-	-	0,68	PHS 08B-1A32	
		B	-	16	46	90	30	7,37	1,79	PHS 08B-1B32
33	133,60	A	16	-	-	-	-	0,72	PHS 08B-1A33	
		B	-	16	46	90	30	7,37	1,83	PHS 08B-1B33
34	137,64	A	16	-	-	-	-	0,78	PHS 08B-1A34	
		B	-	16	46	90	30	7,37	1,87	PHS 08B-1B34
35	141,68	A	16	-	-	-	-	0,81	PHS 08B-1A35	
		B	-	16	46	90	30	7,37	1,94	PHS 08B-1B35
36	145,72	A	16	-	-	-	-	0,87	PHS 08B-1A36	
		B	-	16	50	90	35	7,37	2,21	PHS 08B-1B36
37	149,76	A	16	-	-	-	-	0,92	PHS 08B-1A37	
		B	-	16	50	90	35	7,37	2,24	PHS 08B-1B37
38	153,80	A	16	-	-	-	-	0,97	PHS 08B-1A38	
		B	-	16	50	90	35	7,37	2,33	PHS 08B-1B38
39	157,83	A	16	-	-	-	-	1,02	PHS 08B-1A39	
		B	-	16	50	90	35	7,37	2,30	PHS 08B-1B39
40	161,87	A	16	-	-	-	-	1,08	PHS 08B-1A40	
		B	-	16	50	90	35	7,37	2,44	PHS 08B-1B40
41	165,91	A	20	-	-	-	-	1,10	PHS 08B-1A41	
		B	-	16	50	90	40	7,37	2,41	PHS 08B-1B41
42	169,95	A	20	-	-	-	-	1,00	PHS 08B-1A42	
		B	-	16	60	90	40	7,37	2,38	PHS 08B-1B42
43	173,99	A	20	-	-	-	-	1,24	PHS 08B-1A43	
		B	-	16	50	90	40	7,37	2,35	PHS 08B-1B43

Maximum bores can accommodate standard keyways. Larger bores are available where a shallow keyway is used or no keyway is required. All Type B or C sprockets, up to and including 25 tooth, are with hardened teeth as standard. For any additional size sprockets with hardened teeth, add "H" before the number of teeth, e.g. PHS 08B-1AH8.

**Metric sprockets, simplex, pilot bore**

ISO 08B-1 · 12,70 mm pitch | ISO 10B-1 · 15,88 mm pitch

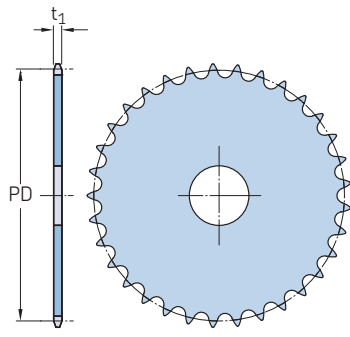
Pitch	Number of teeth	Pitch diameter	Type	Dimensions		Hub		Plate thickness	Mass	Designation
				Bore stock	Bore	H	L			
				Min.	Max.	t <sub>1</sub>				
mm	-	mm	-	mm	mm	mm	mm	mm	kg	-
<b>12,70</b>	44	178,03	A B	20 -	- 16	- 50	- 90	- 40	1,28 2,32	PHS 08B-1A44 PHS 08B-1B44
	45	182,07	A B	20 -	- 16	- 50	- 90	- 40	1,00 2,30	PHS 08B-1A45 PHS 08B-1B45
	46	186,10	A B	20 -	- 16	- 50	- 90	- 40	1,43 2,45	PHS 08B-1A46 PHS 08B-1B46
	47	190,14	A B	20 -	- 16	- 50	- 90	- 40	1,50 2,60	PHS 08B-1A47 PHS 08B-1B47
	48	194,18	A B	20 -	- 16	- 64	- 90	- 40	1,57 2,85	PHS 08B-1A48 PHS 08B-1B48
	50	208,30	A B	20 -	- 16	- 64	- 90	- 40	1,81 2,92	PHS 08B-1A50 PHS 08B-1B50
	54	218,43	A B	20 -	- 16	- 64	- 90	- 40	2,00 3,00	PHS 08B-1A54 PHS 08B-1B54
	57	230,54	A B	20 -	- 16	- 50	- 90	- 40	2,22 3,13	PHS 08B-1A57 PHS 08B-1B57
	60	242,66	A B	20 -	- 16	- 64	- 90	- 40	2,50 3,30	PHS 08B-1A60 PHS 08B-1B60
	64	258,82	A B	25 -	- 16	- 64	- 90	- 40	2,87 3,60	PHS 08B-1A64 PHS 08B-1B64
	70	283,07	A B	25 -	- 16	- 64	- 90	- 40	3,43 3,80	PHS 08B-1A70 PHS 08B-1B70
	72	291,16	A B	25 -	- 16	- 64	- 90	- 40	3,62 4,00	PHS 08B-1A72 PHS 08B-1B72
	76	307,33	A B	25 -	- 16	- 50	- 90	- 40	3,99 4,12	PHS 08B-1A76 PHS 08B-1B76
	80	323,48	A B	25 -	- 16	- 64	- 90	- 40	4,46 5,00	PHS 08B-1A80 PHS 08B-1B80
	84	339,65	A B	25 -	- 16	- 64	- 90	- 40	4,93 6,12	PHS 08B-1A84 PHS 08B-1B84
	85	343,69	A B	25 -	- 16	- 64	- 90	- 40	5,05 6,32	PHS 08B-1A85 PHS 08B-1B85
	92	371,99	A B	25 -	- 16	- 64	- 90	- 40	5,88 6,92	PHS 08B-1A92 PHS 08B-1B92
	95	384,11	A B	25 -	- 16	- 55	- 90	- 40	6,23 7,38	PHS 08B-1A95 PHS 08B-1B95
	96	388,15	A B	25 -	- 16	- 64	- 90	- 40	6,35 8,00	PHS 08B-1A96 PHS 08B-1B96
	114	460,90	A B	25 -	- 16	- 64	- 90	- 40	8,47 9,50	PHS 08B-1A114 PHS 08B-1B114
<b>15,88</b>	8	41,48	A B	10 -	- 10	- 11	- 25	- 25	0,07 0,12	PHS 10B-1A8 PHS 10B-1BH8
	9	46,42	A B	10 -	- 10	- 15	- 30	- 25	0,10 0,17	PHS 10B-1A9 PHS 10B-1BH9
	10	51,37	A B	10 -	- 10	- 18	- 35	- 25	0,12 0,23	PHS 10B-1A10 PHS 10B-1BH10
	11	56,34	A B	10 -	- 12	- 21	- 37	- 30	0,15 0,30	PHS 10B-1A11 PHS 10B-1BH11
	12	61,34	A B	10 -	- 12	- 25	- 42	- 30	0,18 0,38	PHS 10B-1A12 PHS 10B-1BH12
	13	66,32	A B	10 -	- 12	- 28	- 47	- 30	0,21 0,47	PHS 10B-1A13 PHS 10B-1BH13
	14	71,34	A B	10 -	- 12	- 32	- 52	- 30	0,24 0,57	PHS 10B-1A14 PHS 10B-1BH14
	15	76,36	A B	10 -	- 12	- 35	- 57	- 30	0,28 0,69	PHS 10B-1A15 PHS 10B-1BH15
	16	81,37	A B	12 -	- 12	- 40	- 60	- 30	0,31 0,77	PHS 10B-1A16 PHS 10B-1BH16
	17	86,39	A B	12 -	- 12	- 40	- 60	- 30	0,36 0,82	PHS 10B-1A17 PHS 10B-1BH17

Pitch	Number of teeth	Pitch diameter	Type	Dimensions		Hub		Plate thickness	Mass	Designation
				Bore stock	Bore	H	L			
				Min.	Max.	t <sub>1</sub>				
mm	-	mm	-	mm	mm	mm	mm	mm	kg	-
<b>15,88</b>	18	91,42	A B	12 -	- 14	- 50	- 70	- 30	0,41 1,02	PHS 10B-1A18 PHS 10B-1BH18
	19	96,45	A B	12 -	- 14	- 50	- 70	- 30	0,46 1,06	PHS 10B-1A19 PHS 10B-1BH19
	20	101,49	A B	12 -	- 14	- 50	- 75	- 30	0,52 1,22	PHS 10B-1A20 PHS 10B-1BH20
	21	106,52	A B	12 -	- 16	- 50	- 75	- 30	0,57 1,26	PHS 10B-1A21 PHS 10B-1BH21
	22	111,55	A B	12 -	- 16	- 50	- 80	- 30	0,62 1,42	PHS 10B-1A22 PHS 10B-1BH22
	23	116,58	A B	12 -	- 16	- 50	- 80	- 30	0,67 1,47	PHS 10B-1A23 PHS 10B-1BH23
	24	121,62	A B	12 -	- 16	- 50	- 80	- 30	0,74 1,55	PHS 10B-1A24 PHS 10B-1BH24
	25	126,66	A B	12 -	- 16	- 50	- 80	- 30	0,81 1,62	PHS 10B-1A25 PHS 10B-1BH25
	26	131,70	A B	16 -	- 20	- 55	- 85	- 35	0,88 2,00	PHS 10B-1A26 PHS 10B-1B26
	27	136,75	A B	16 -	- 20	- 55	- 85	- 35	0,96 2,05	PHS 10B-1A27 PHS 10B-1B27
	28	141,78	A B	16 -	- 20	- 55	- 90	- 35	1,02 2,27	PHS 10B-1A28 PHS 10B-1B28
	29	146,83	A B	16 -	- 20	- 55	- 90	- 35	1,09 2,35	PHS 10B-1A29 PHS 10B-1B29
	30	151,87	A B	16 -	- 20	- 58	- 90	- 35	1,20 2,42	PHS 10B-1A30 PHS 10B-1B30
	31	156,92	A B	16 -	- 20	- 58	- 95	- 35	1,28 2,66	PHS 10B-1A31 PHS 10B-1B31
	32	161,95	A B	16 -	- 20	- 58	- 95	- 35	1,38 2,74	PHS 10B-1A32 PHS 10B-1B32
	33	167,00	A B	16 -	- 20	- 58	- 95	- 35	1,46 2,80	PHS 10B-1A33 PHS 10B-1B33
	34	172,05	A B	16 -	- 20	- 58	- 95	- 35	1,55 2,90	PHS 10B-1A34 PHS 10B-1B34
	35	177,10	A B	16 -	- 20	- 58	- 95	- 35	1,63 3,03	PHS 10B-1A35 PHS 10B-1B35
	36	182,15	A B	20 -	- 20	- 63	- 100	- 35	2,00 3,27	PHS 10B-1A36 PHS 10B-1B36
	37	187,20	A B	20 -	- 20	- 63	- 100	- 35	1,85 3,39	PHS 10B-1A37 PHS 10B-1B37
	38	192,24	A B	20 -	- 20	- 63	- 100	- 35	1,93 3,49	PHS 10B-1A38 PHS 10B-1B38
	39	197,29	A B	20 -	- 20	- 63	- 100	- 35	2,05 3,58	PHS 10B-1A39 PHS 10B-1B39
	40	202,34	A B	20 -	- 20	- 63	- 100	- 35	2,15 3,69	PHS 10B-1A40 PHS 10B-1B40
	41	207,39	A B	20 -	- 20	- 57	- 100	- 40	2,25 3,78	PHS 10B-1A41 PHS 10B-1B41
	42	212,44	A B	20 -	- 20	- 57	- 100	- 40	2,38 3,87	PHS 10B-1A42 PHS 10B-1B42
	43	217,49	A B	20 -	- 20	- 57	- 100	- 40	2,49 3,96	PHS 10B-1A43 PHS 10B-1B43
	44	222,53	A B	20 -	- 20	- 57	- 100	- 40	2,61 4,05	PHS 10B-1A44 PHS 10B-1B44
	45	227,58	A B	20 -	- 20	- 55	- 100	- 40	2,74 4,18	PHS 10B-1A45 PHS 10B-1B45
	46	232,63	A B	20 -	- 20	- 64	- 100	- 40	2,87 4,34	PHS 10B-1A46 PHS 10B-1B46
	47	237,68	A B	20 -	- 20	- 64	- 100	- 40	2,99 4,50	PHS 10B-1A47 PHS 10B-1B47

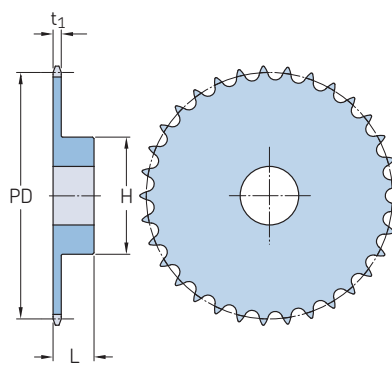
Maximum bores can accommodate standard keyways. Larger bores are available where a shallow keyway is used or no keyway is required. All Type B or C sprockets, up to and including 25 tooth, are with hardened teeth as standard. For any additional size sprockets with hardened teeth, add "H" before the number of teeth, e.g. PHS 08B-1AH8.

**Metric sprockets, simplex, pilot bore**

ISO 10B-1 · 15,88 mm pitch | ISO 12B-1 · 19,05 mm pitch



Type A



Type B

Pitch	Number of teeth	Pitch diameter	Type	Dimensions		Hub	Plate thickness	Mass	Designation
				Bore stock	Bore				
		PD		Min.	Max.	H	L	t <sub>1</sub>	
mm	-	mm	-	mm				kg	-
15,88	48	242,73	A	20	-	-	-	3,13	PHS 10B-1A48
			B	-	20	64	100 40	9,17	4,66
	49	247,78	A	20	-	-	-	3,28	PHS 10B-1A49
			B	-	20	64	100 40	9,17	4,82
	50	252,82	A	20	-	-	-	3,43	PHS 10B-1A50
			B	-	20	64	100 40	9,17	4,98
	51	257,87	A	20	-	-	-	3,57	PHS 10B-1A51
			B	-	20	64	100 40	9,17	5,14
	52	262,92	A	20	-	-	-	3,72	PHS 10B-1A52
			B	-	20	64	100 40	9,17	5,30
	53	267,97	A	20	-	-	-	3,87	PHS 10B-1A53
			B	-	20	64	100 40	9,17	5,46
	54	273,03	A	20	-	-	-	4,02	PHS 10B-1A54
			B	-	20	64	100 40	9,17	5,62
	55	278,08	A	20	-	-	-	4,16	PHS 10B-1A55
			B	-	20	64	100 40	9,17	5,78
	56	283,13	A	25	-	-	-	4,31	PHS 10B-1A56
			B	-	20	64	100 40	9,17	5,94
	57	288,18	A	25	-	-	-	4,46	PHS 10B-1A57
			B	-	20	55	100 40	9,17	6,00
58	293,23	A	25	-	-	-	4,64	PHS 10B-1A58	
		B	-	20	64	100 43	9,17	6,44	PHS 10B-1B58
59	298,27	A	25	-	-	-	4,83	PHS 10B-1A59	
		B	-	20	64	100 43	9,17	6,88	PHS 10B-1B59
60	303,32	A	25	-	-	-	5,01	PHS 10B-1A60	
		B	-	20	64	100 43	9,17	7,32	PHS 10B-1B60
65	328,58	A	25	-	-	-	5,92	PHS 10B-1A65	
		B	-	20	64	100 43	9,17	7,48	PHS 10B-1B65
70	353,84	A	25	-	-	-	6,83	PHS 10B-1A70	
		B	-	20	64	100 43	9,17	7,76	PHS 10B-1B70
72	363,95	A	25	-	-	-	7,20	PHS 10B-1A72	
		B	-	20	64	100 43	9,17	8,20	PHS 10B-1B72
76	384,16	A	25	-	-	-	7,93	PHS 10B-1A76	
		B	-	20	60	100 43	9,17	8,68	PHS 10B-1B76
80	404,35	A	25	-	-	-	8,89	PHS 10B-1A80	
		B	-	20	70	100 43	9,17	10,20	PHS 10B-1B80
84	424,57	A	30	-	-	-	9,85	PHS 10B-1A84	
		B	-	20	70	100 50	9,17	11,72	PHS 10B-1B84
85	429,62	A	30	-	-	-	10,09	PHS 10B-1A85	
		B	-	20	70	100 50	9,17	12,12	PHS 10B-1B85
92	464,98	A	30	-	-	-	11,76	PHS 10B-1A92	
		B	-	20	70	100 50	9,17	12,91	PHS 10B-1B92
95	480,14	A	30	-	-	-	12,48	PHS 10B-1A95	
		B	-	20	60	100 50	9,17	13,24	PHS 10B-1B95

Pitch	Number of teeth	Pitch diameter	Type	Dimensions		Hub	Plate thickness	Mass	Designation	
				Bore stock	Bore					
		PD		Min.	Max.	H	L	t <sub>1</sub>		
mm	-	mm	-	mm				kg	-	
15,88	96	485,19	A	30	-	-	-	12,72	PHS 10B-1A96	
			B	-	20	70	100 50	9,17	14,00	PHS 10B-1B96
	112	566,03	A	30	-	-	-	16,55	PHS 10B-1A112	
			B	-	20	70	100 50	9,17	15,55	PHS 10B-1B112
	114	576,13	A	30	-	-	-	17,03	PHS 10B-1A114	
			B	-	20	70	100 50	9,17	16,25	PHS 10B-1B114
	120	606,45	A	30	-	-	-	18,50	PHS 10B-1A120	
			B	-	20	70	100 50	9,17	18,25	PHS 10B-1B120
	19,05	8	49,78	A	12	-	-	-	0,13	PHS 12B-1A8
				B	-	12	16	31 30	11,10	0,22
	9	55,70	A	12	-	-	-	0,16	PHS 12B-1A9	
			B	-	12	20	37 30	11,10	0,31	PHS 12B-1B9
	10	61,64	A	12	-	-	-	0,21	PHS 12B-1A10	
			B	-	12	23	42 30	11,10	0,39	PHS 12B-1B10
	11	67,61	A	14	-	-	-	0,25	PHS 12B-1A11	
			B	-	14	28	46 35	11,10	0,54	PHS 12B-1B11
	12	73,61	A	14	-	-	-	0,30	PHS 12B-1A12	
			B	-	14	32	52 35	11,10	0,68	PHS 12B-1B12
	13	79,59	A	14	-	-	-	0,37	PHS 12B-1A13	
			B	-	14	36	58 35	11,10	0,84	PHS 12B-1B13
14	85,61	A	14	-	-	-	0,43	PHS 12B-1A14		
		B	-	14	40	64 35	11,10	1,01	PHS 12B-1B14	
15	91,63	A	14	-	-	-	0,50	PHS 12B-1A15		
		B	-	14	44	70 35	11,10	1,19	PHS 12B-1B15	
16	97,65	A	14	-	-	-	0,56	PHS 12B-1A16		
		B	-	16	48	75 35	11,10	1,36	PHS 12B-1B16	
17	103,67	A	14	-	-	-	0,65	PHS 12B-1A17		
		B	-	16	55	80 35	11,10	1,56	PHS 12B-1B17	
18	109,71	A	14	-	-	-	0,73	PHS 12B-1A18		
		B	-	16	55	80 35	11,10	1,73	PHS 12B-1B18	
19	115,75	A	14	-	-	-	0,82	PHS 12B-1A19		
		B	-	16	55	80 35	11,10	1,73	PHS 12B-1B19	
20	121,78	A	14	-	-	-	0,90	PHS 12B-1A20		
		B	-	16	55	80 35	11,10	1,83	PHS 12B-1B20	
21	127,82	A	16	-	-	-	0,99	PHS 12B-1A21		
		B	-	20	55	90 40	11,10	2,37	PHS 12B-1B21	
22	133,86	A	16	-	-	-	1,08	PHS 12B-1A22		
		B	-	20	55	90 40	11,10	2,48	PHS 12B-1B22	
23	139,90	A	16	-	-	-	1,21	PHS 12B-1A23		
		B	-	20	55	90 40	11,10	2,58	PHS 12B-1B23	
24	145,94	A	16	-	-	-	1,33	PHS 12B-1A24		
		B	-	20	55	90 40	11,10	2,70	PHS 12B-1B24	
25	152,00	A	16	-	-	-	1,43	PHS 12B-1A25		
		B	-	20	55	90 40	11,10	2,81	PHS 12B-1B25	

Maximum bores can accommodate standard keyways. Larger bores are available where a shallow keyway is used or no keyway is required. All Type B or C sprockets, up to and including 25 tooth, are with hardened teeth as standard. For any additional size sprockets with hardened teeth, add "H" before the number of teeth, e.g. PHS 08B-1AH8.



**Metric sprockets, simplex, pilot bore**

ISO 12B-1 · 19,05 mm pitch | ISO 16B-1 · 25,40 mm pitch

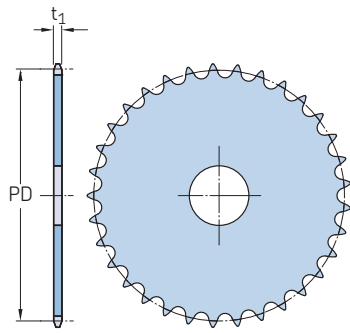
Pitch	Number of teeth	Pitch diameter	Type	Dimensions			Hub	Plate thickness	Mass	Designation
				Bore	Bore					
				stock	stock					
		PD		Min.	Max.	H	L	t <sub>1</sub>		
mm	-	mm	-	mm				kg	-	

Pitch	Number of teeth	Pitch diameter	Type	Dimensions			Hub	Plate thickness	Mass	Designation
				Bore	Bore					
				stock	stock					
		PD		Min.	Max.	H	L	t <sub>1</sub>		
mm	-	mm	-	mm				kg	-	

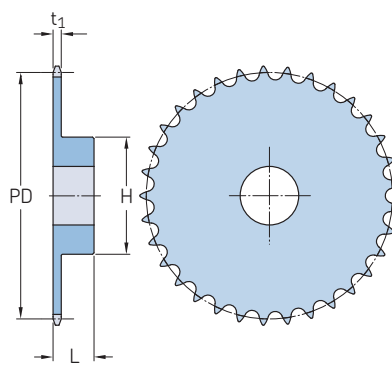
Maximum bores can accommodate standard keyways. Larger bores are available where a shallow keyway is used or no keyway is required. All Type B or C sprockets, up to and including 25 tooth, are with hardened teeth as standard. For any additional size sprockets with hardened teeth, add "H" before the number of teeth, e.g. PHS 08B-1AH8.

**Metric sprockets, simplex, pilot bore**

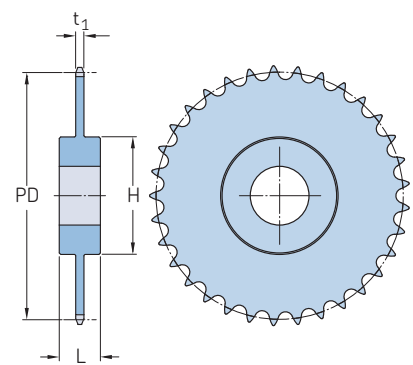
ISO 16B-1 · 25,40 mm pitch | ISO 20B-1 · 31,75 mm pitch



Type A



Type B



Type C

Pitch	Number of teeth	Pitch diameter	Type	Dimensions		Hub H	Hub L	Plate thickness t <sub>1</sub>	Mass	Designation
				Bore stock	Bore					
mm	-	mm	-	mm	mm	mm	mm	mm	kg	-
25,40	28	226,85	A	20	-	-	-	-	4,79	PHS 16B-1A28
			B	-	20	76	120 50	16,18	7,72	PHS 16B-1B28
	29	234,92	A	20	-	-	-	-	5,14	PHS 16B-1A29
			B	-	20	76	120 50	16,18	8,11	PHS 16B-1B29
	30	243,00	A	20	-	-	-	-	5,53	PHS 16B-1A30
			B	-	20	76	120 50	16,18	8,47	PHS 16B-1B30
	31	251,08	A	25	-	-	-	-	5,89	PHS 16B-1A31
			B	-	25	76	120 50	16,18	8,78	PHS 16B-1B31
	32	259,13	A	25	-	-	-	-	6,33	PHS 16B-1A32
			B	-	25	76	120 50	16,18	9,19	PHS 16B-1B32
	33	267,21	A	25	-	-	-	-	6,70	PHS 16B-1A33
			B	-	25	76	120 50	16,18	9,63	PHS 16B-1B33
	34	275,28	A	25	-	-	-	-	7,00	PHS 16B-1A34
			B	-	25	76	120 50	16,18	10,02	PHS 16B-1B34
	35	283,36	A	25	-	-	-	-	7,60	PHS 16B-1A35
			B	-	25	76	120 50	16,18	10,50	PHS 16B-1B35
	36	291,44	A	25	-	-	-	-	8,08	PHS 16B-1A36
			B	-	25	76	120 50	16,18	10,90	PHS 16B-1B36
	37	299,51	A	25	-	-	-	-	8,50	PHS 16B-1A37
			B	-	25	76	120 50	16,18	11,30	PHS 16B-1B37
38	307,59	A	25	-	-	-	-	8,98	PHS 16B-1A38	
		B	-	25	76	120 50	16,18	11,86	PHS 16B-1B38	
39	315,67	A	25	-	-	-	-	9,34	PHS 16B-1A39	
		B	-	25	76	120 50	16,18	12,32	PHS 16B-1B39	
40	323,75	A	25	-	-	-	-	9,94	PHS 16B-1A40	
		B	-	25	76	125 50	16,18	12,86	PHS 16B-1B40	
41	331,82	A	25	-	-	-	-	10,50	PHS 16B-1A41	
		B	-	25	80	125 68	16,18	13,40	PHS 16B-1B41	
42	339,90	A	25	-	-	-	-	11,02	PHS 16B-1A42	
		B	-	25	80	125 68	16,18	13,94	PHS 16B-1B42	
43	347,98	A	25	-	-	-	-	11,64	PHS 16B-1A43	
		B	-	25	80	125 68	16,18	14,48	PHS 16B-1B43	
44	356,06	A	25	-	-	-	-	12,08	PHS 16B-1A44	
		B	-	25	80	125 68	16,18	15,02	PHS 16B-1B44	
45	364,13	A	25	-	-	-	-	12,60	PHS 16B-1A45	
		B	-	25	65	125 68	16,18	13,00	PHS 16B-1B45	
46	372,21	A	25	-	-	-	-	13,20	PHS 16B-1A46	
		B	-	25	80	125 68	16,18	16,10	PHS 16B-1B46	
47	380,29	A	25	-	-	-	-	13,94	PHS 16B-1A47	
		B	-	25	80	125 68	16,18	16,64	PHS 16B-1B47	
48	388,36	A	25	-	-	-	-	14,54	PHS 16B-1A48	
		B	-	25	80	125 68	16,18	17,18	PHS 16B-1B48	
50	404,52	A	25	-	-	-	-	15,86	PHS 16B-1A50	
		B	-	25	80	125 68	16,18	18,26	PHS 16B-1B50	

Pitch	Number of teeth	Pitch diameter	Type	Dimensions		Hub H	Hub L	Plate thickness t <sub>1</sub>	Mass	Designation
				Bore stock	Bore					
mm	-	mm	-	mm	mm	mm	mm	mm	kg	-
25,40	54	436,85	A	30	-	-	-	-	18,51	PHS 16B-1A54
			B	-	25	85	125 68	16,18	20,42	PHS 16B-1B54
	57	461,07	A	30	-	-	-	-	20,50	PHS 16B-1A57
			B	-	25	65	125 68	16,18	15,50	PHS 16B-1B57
	60	485,32	A	30	-	-	-	-	22,95	PHS 16B-1A60
			B	-	25	85	133 68	16,18	23,66	PHS 16B-1B60
	65	525,73	A	30	-	-	-	-	27,03	PHS 16B-1A65
			B	-	25	85	140 68	16,18	26,36	PHS 16B-1B65
	70	566,14	A	30	-	-	-	-	31,11	PHS 16B-1A70
			C	-	25	108	140 68	16,18	29,06	PHS 16B-1C70
	72	582,32	A	30	-	-	-	-	32,74	PHS 16B-1A72
			C	-	25	108	140 68	16,18	30,14	PHS 16B-1C72
	76	614,65	A	30	-	-	-	-	36,00	PHS 16B-1A76
			C	-	25	75	140 68	16,18	28,50	PHS 16B-1C76
	80	646,96	A	30	-	-	-	-	40,42	PHS 16B-1A80
			C	-	25	108	140 68	16,18	34,46	PHS 16B-1C80
	84	679,30	A	30	-	-	-	-	44,84	PHS 16B-1A84
			C	-	25	108	140 78	16,18	36,62	PHS 16B-1C84
	90	727,81	A	30	-	-	-	-	51,47	PHS 16B-1A90
			C	-	25	108	140 78	16,18	39,86	PHS 16B-1C90
95	768,22	A	30	-	-	-	-	57,00	PHS 16B-1A95	
		C	-	25	85	140 78	16,18	42,56	PHS 16B-1C95	
96	766,31	A	30	-	-	-	-	58,11	PHS 16B-1A96	
		C	-	25	108	140 78	16,18	43,10	PHS 16B-1C96	
114	921,81	A	30	-	-	-	-	78,00	PHS 16B-1A114	
		C	-	25	108	140 78	16,18	52,82	PHS 16B-1C114	
31,75	8	82,97	A	16	-	-	-	-	0,63	PHS 20B-1A8
			B	-	20	57	53 40	18,59	1,04	PHS 20B-1B8
9	92,83	A	16	-	-	-	-	0,95	PHS 20B-1A9	
		B	-	20	57	63 40	18,59	1,45	PHS 20B-1B9	
10	102,75	A	16	-	-	-	-	1,27	PHS 20B-1A10	
		B	-	20	60	70 40	18,59	1,86	PHS 20B-1B10	
11	112,70	A	16	-	-	-	-	1,59	PHS 20B-1A11	
		B	-	20	70	77 45	18,59	2,40	PHS 20B-1B11	
12	122,67	A	20	-	-	-	-	1,91	PHS 20B-1A12	
		B	-	20	76	88 45	18,59	2,95	PHS 20B-1B12	
13	132,67	A	20	-	-	-	-	2,18	PHS 20B-1A13	
		B	-	20	76	98 45	18,59	3,00	PHS 20B-1B13	
14	142,68	A	20	-	-	-	-	2,49	PHS 20B-1A14	
		B	-	20	76	108 45	18,59	3,40	PHS 20B-1B14	
15	152,71	A	20	-	-	-	-	2,68	PHS 20B-1A15	
		B	-	20	76	118 50	18,59	4,31	PHS 20B-1B15	
16	162,75	A	20	-	-	-	-	3,08	PHS 20B-1A16	
		B	-	20	76	120 50	18,59	4,63	PHS 20B-1B16	

Maximum bores can accommodate standard keyways. Larger bores are available where a shallow keyway is used or no keyway is required. All Type B or C sprockets, up to and including 25 tooth, are with hardened teeth as standard. For any additional size sprockets with hardened teeth, add "H" before the number of teeth, e.g. PHS 08B-1AH8.

# Metric sprockets, simplex, pilot bore

ISO 20B-1 · 31,75 mm pitch | ISO 24B-1 · 38,10 mm pitch

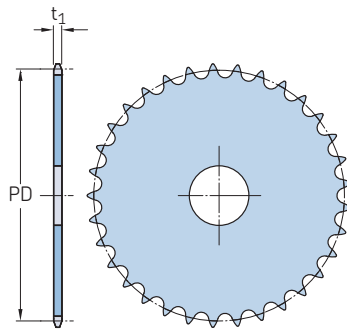
Pitch	Number of teeth	Pitch diameter	Type	Dimensions		Hub	Plate thickness	Mass	Designation	
				Bore stock	Bore					
				Min.	Max.					
mm	-	mm	-	mm		H	L	t <sub>1</sub>	kg	-
PD										
31,75	17	172,79	A B	20 -	- 25	- 76	- 120	- 50	3,54 4,99	PHS 20B-1A17 PHS 20B-1BH17
	18	182,84	A B	20 -	- 25	- 76	- 120	- 50	3,81 5,44	PHS 20B-1A18 PHS 20B-1BH18
	19	192,90	A B	20 -	- 25	- 76	- 120	- 50	4,31 5,90	PHS 20B-1A19 PHS 20B-1BH19
	20	202,96	A B	20 -	- 25	- 76	- 120	- 50	4,58 6,35	PHS 20B-1A20 PHS 20B-1BH20
	21	213,03	A B	25 -	- 25	- 76	- 140	- 55	5,17 7,03	PHS 20B-1A21 PHS 20B-1BH21
	22	223,10	A B	25 -	- 25	- 76	- 140	- 55	5,72 7,71	PHS 20B-1A22 PHS 20B-1BH22
	23	233,17	A B	25 -	- 25	- 84	- 140	- 55	5,99 8,16	PHS 20B-1A23 PHS 20B-1BH23
	24	243,25	A B	25 -	- 25	- 84	- 140	- 55	6,62 8,62	PHS 20B-1A24 PHS 20B-1BH24
	25	253,32	A B	25 -	- 25	- 84	- 140	- 55	6,94 9,07	PHS 20B-1A25 PHS 20B-1BH25
	26	263,41	A B	25 -	- 25	- 84	- 150	- 55	7,62 9,53	PHS 20B-1A26 PHS 20B-1B26
	27	273,49	A B	25 -	- 25	- 84	- 150	- 55	8,35 10,43	PHS 20B-1A27 PHS 20B-1B27
	28	283,57	A B	25 -	- 25	- 84	- 150	- 55	8,85 11,34	PHS 20B-1A28 PHS 20B-1B28
	29	293,66	A B	25 -	- 25	- 84	- 150	- 55	9,43 11,76	PHS 20B-1A29 PHS 20B-1B29
	30	303,75	A B	25 -	- 25	- 84	- 150	- 55	9,98 12,02	PHS 20B-1A30 PHS 20B-1B30
	31	313,83	A B	25 -	- 25	- 84	- 150	- 55	10,73 12,77	PHS 20B-1A31 PHS 20B-1B31
	32	323,92	A B	25 -	- 25	- 84	- 150	- 55	11,49 13,52	PHS 20B-1A32 PHS 20B-1B32
	33	334,01	A B	25 -	- 25	- 84	- 150	- 55	12,24 14,59	PHS 20B-1A33 PHS 20B-1B33
	34	344,10	A B	25 -	- 25	- 84	- 150	- 55	13,00 15,66	PHS 20B-1A34 PHS 20B-1B34
	35	354,20	A B	25 -	- 25	- 84	- 150	- 55	13,75 16,74	PHS 20B-1A35 PHS 20B-1B35
	36	364,29	A B	25 -	- 25	- 84	- 150	- 55	14,50 17,51	PHS 20B-1A36 PHS 20B-1B36
	37	374,38	A B	25 -	- 25	- 84	- 150	- 55	15,25 18,17	PHS 20B-1A37 PHS 20B-1B37
	38	384,48	A B	25 -	- 25	- 84	- 150	- 55	16,01 18,82	PHS 20B-1A38 PHS 20B-1B38
	39	394,57	A B	25 -	- 25	- 84	- 150	- 55	16,76 19,78	PHS 20B-1A39 PHS 20B-1B39
	40	404,67	A B	25 -	- 25	- 84	- 150	- 55	17,52 21,27	PHS 20B-1A40 PHS 20B-1B40
	41	414,77	A B	30 -	- 25	- 84	- 150	- 70	18,27 22,07	PHS 20B-1A41 PHS 20B-1B41
	42	424,88	A B	30 -	- 25	- 84	- 150	- 70	19,03 22,86	PHS 20B-1A42 PHS 20B-1B42
	43	434,96	A B	30 -	- 25	- 84	- 150	- 70	19,78 23,40	PHS 20B-1A43 PHS 20B-1B43
	44	445,06	A B	30 -	- 25	- 84	- 150	- 70	20,53 23,95	PHS 20B-1A44 PHS 20B-1B44
	45	455,15	A B	30 -	- 25	- 84	- 150	- 70	21,29 24,49	PHS 20B-1A45 PHS 20B-1B45
	46	465,25	A B	30 -	- 25	- 84	- 150	- 70	22,04 26,31	PHS 20B-1A46 PHS 20B-1B46

Pitch	Number of teeth	Pitch diameter	Type	Dimensions		Hub	Plate thickness	Mass	Designation	
				Bore stock	Bore					
				Min.	Max.					
mm	-	mm	-	mm		H	L	t <sub>1</sub>	kg	-
PD										
31,75	47	475,35	A B	30 -	- 25	- 84	- 150	- 70	22,79 28,12	PHS 20B-1A47 PHS 20B-1B47
	48	485,45	A B	30 -	- 25	- 102	- 150	- 70	23,55 29,94	PHS 20B-1A48 PHS 20B-1B48
	49	495,55	A B	30 -	- 25	- 102	- 150	- 70	24,30 31,76	PHS 20B-1A49 PHS 20B-1B49
	50	505,65	A B	30 -	- 25	- 102	- 150	- 70	25,06 33,57	PHS 20B-1A50 PHS 20B-1B50
	51	515,75	A B	30 -	- 25	- 102	- 150	- 80	24,43 35,39	PHS 20B-1A51 PHS 20B-1B51
	52	525,85	A B	30 -	- 25	- 102	- 150	- 80	25,85 37,21	PHS 20B-1A52 PHS 20B-1B52
	53	535,95	A B	30 -	- 25	- 102	- 150	- 80	27,27 39,02	PHS 20B-1A53 PHS 20B-1B53
	54	546,05	A C	30 -	- 25	- 102	- 150	- 80	25,70 32,90	PHS 20B-1A54 PHS 20B-1C54
	55	556,15	A C	30 -	- 25	- 102	- 150	- 80	30,12 34,77	PHS 20B-1A55 PHS 20B-1C55
	56	566,25	A C	30 -	- 25	- 102	- 150	- 80	31,34 36,63	PHS 20B-1A56 PHS 20B-1C56
	57	576,35	A C	30 -	- 25	- 102	- 150	- 80	32,96 38,50	PHS 20B-1A57 PHS 20B-1C57
	58	586,45	A C	30 -	- 25	- 102	- 150	- 80	35,80 40,37	PHS 20B-1A58 PHS 20B-1C58
	59	596,56	A C	30 -	- 25	- 102	- 150	- 80	37,22 42,24	PHS 20B-1A59 PHS 20B-1C59
	60	606,66	A C	30 -	- 25	- 102	- 150	- 80	38,64 44,10	PHS 20B-1A60 PHS 20B-1C60
	70	707,68	A C	30 -	- 25	- 133	- 150	- 80	52,85 65,36	PHS 20B-1A70 PHS 20B-1C70
	72	727,89	A C	30 -	- 25	- 133	- 150	- 80	55,70 67,23	PHS 20B-1A72 PHS 20B-1C72
	76	768,30	A C	30 -	- 25	- 133	- 150	- 80	61,38 70,98	PHS 20B-1A76 PHS 20B-1C76
	80	808,71	A C	30 -	- 25	- 133	- 150	- 80	67,06 74,70	PHS 20B-1A80 PHS 20B-1C80
	84	849,13	A C	30 -	- 25	- 133	- 150	- 90	72,75 78,43	PHS 20B-1A84 PHS 20B-1C84
	90	909,76	A C	30 -	- 25	- 133	- 150	- 90	81,27 84,03	PHS 20B-1A90 PHS 20B-1C90
	95	960,28	A C	30 -	- 25	- 133	- 150	- 90	102,42 117,18	PHS 20B-1A95 PHS 20B-1C95
	96	970,38	A C	30 -	- 25	- 133	- 150	- 90	103,84 117,56	PHS 20B-1A96 PHS 20B-1C96
	114	1 152,27	A C	30 -	- 25	- 133	- 150	- 90	130,84 124,40	PHS 20B-1A114 PHS 20B-1C114
38,10	9	111,40	A B	20 -	- 20	- 45	- 70	- 45	1,69 2,02	PHS 24B-1A9 PHS 24B-1B9
	10	123,29	A B	20 -	- 20	- 52	- 80	- 45	1,88 2,61	PHS 24B-1A10 PHS 24B-1B10
	11	135,23	A B	20 -	- 25	- 60	- 90	- 50	2,06 3,77	PHS 24B-1A11 PHS 24B-1B11
	12	147,21	A B	20 -	- 25	- 67	- 102	- 50	2,68 4,77	PHS 24B-1A12 PHS 24B-1B12
	13	159,20	A B	20 -	- 25	- 76	- 114	- 50	3,06 5,91	PHS 24B-1A13 PHS 24B-1B13
	14	171,22	A B	20 -	- 25	- 86	- 128	- 50	3,72 6,68	PHS 24B-1A14 PHS 24B-1B14
	15	183,25	A B	20 -	- 25	- 92	- 132	- 50	4,31 7,49	PHS 24B-1A15 PHS 24B-1B15

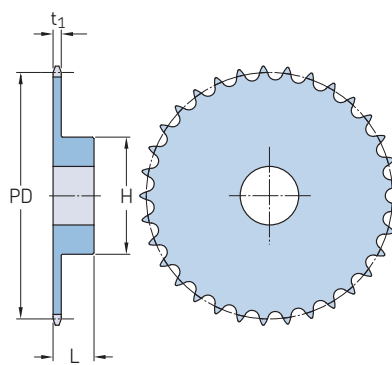
Maximum bores can accommodate standard keyways. Larger bores are available where a shallow keyway is used or no keyway is required. All Type B or C sprockets, up to and including 25 tooth, are with hardened teeth as standard. For any additional size sprockets with hardened teeth, add "H" before the number of teeth, e.g. PHS 08B-1AH8.

**Metric sprockets, simplex, pilot bore**

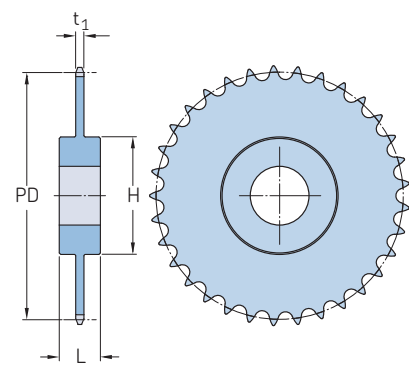
ISO 24B-1 · 38,10 mm pitch | ISO 28B-1 · 44,45 mm pitch



Type A



Type B



Type C

Pitch	Number of teeth	Pitch diameter	Type	Dimensions		Hub	Plate thickness	Mass	Designation
				Bore stock	Bore				
		PD		Min.	Max.	H	L	t <sub>1</sub>	
mm	-	mm	-	mm				kg	-
38,10	16	195,29	A	25	-	-	-	4,86	PHS 24B-1A16
			B	-	25	92	136	55	24,13
	17	207,35	A	25	-	-	-	5,44	PHS 24B-1A17
			B	-	25	92	136	55	24,13
	18	219,41	A	25	-	-	-	6,13	PHS 24B-1A18
			B	-	25	92	136	55	24,13
	19	231,48	A	25	-	-	-	7,03	PHS 24B-1A19
			B	-	25	92	136	55	24,13
	20	243,55	A	25	-	-	-	7,94	PHS 24B-1A20
			B	-	25	92	136	55	24,13
	21	255,63	A	25	-	-	-	8,62	PHS 24B-1A21
			B	-	25	92	150	60	24,13
	22	267,72	A	25	-	-	-	9,76	PHS 24B-1A22
			B	-	25	92	150	60	24,13
	23	179,80	A	25	-	-	-	10,43	PHS 24B-1A23
			B	-	25	92	150	60	24,13
	24	291,90	A	25	-	-	-	11,35	PHS 24B-1A24
			B	-	25	92	150	60	24,13
	25	303,99	A	25	-	-	-	12,47	PHS 24B-1A25
			B	-	25	92	150	60	24,13
	26	316,09	A	30	-	-	-	13,39	PHS 24B-1A26
			B	-	30	102	150	65	24,13
	27	328,19	A	30	-	-	-	14,53	PHS 24B-1A27
			B	-	30	102	150	65	24,13
	28	340,29	A	30	-	-	-	15,89	PHS 24B-1A28
			B	-	30	102	150	65	24,13
	29	352,39	A	30	-	-	-	17,02	PHS 24B-1A29
			B	-	30	102	150	65	24,13
	30	364,49	A	30	-	-	-	18,39	PHS 24B-1A30
			B	-	30	102	150	65	24,13
	31	376,60	A	30	-	-	-	20,02	PHS 24B-1A31
			B	-	30	102	150	65	24,13
	32	388,71	A	30	-	-	-	21,66	PHS 24B-1A32
			B	-	30	102	150	65	24,13
	33	400,82	A	30	-	-	-	23,29	PHS 24B-1A33
			B	-	30	102	150	65	24,13
	34	412,93	A	30	-	-	-	24,93	PHS 24B-1A34
			B	-	30	102	150	65	24,13
35	425,04	A	30	-	-	-	26,56	PHS 24B-1A35	
		B	-	30	102	150	65	24,13	33,93
36	437,15	A	30	-	-	-	28,19	PHS 24B-1A36	
		B	-	30	102	150	65	24,13	35,86
38	461,37	A	30	-	-	-	31,46	PHS 24B-1A38	
		B	-	30	102	150	65	24,13	39,73

Pitch	Number of teeth	Pitch diameter	Type	Dimensions		Hub	Plate thickness	Mass	Designation	
				Bore stock	Bore					
		PD		Min.	Max.	H	L	t <sub>1</sub>		
mm	-	mm	-	mm				kg	-	
38,10	40	485,60	A	30	-	-	-	36,23	PHS 24B-1A40	
			B	-	30	102	150	65	24,13	42,52
	42	509,83	A	30	-	-	-	40,99	PHS 24B-1A42	
			C	-	30	102	160	90	24,13	45,31
	45	546,19	A	30	-	-	-	48,14	PHS 24B-1A45	
			C	-	30	102	160	90	24,13	50,71
	48	482,54	A	30	-	-	-	55,29	PHS 24B-1A48	
			C	-	30	102	160	90	24,13	57,43
	50	606,78	A	30	-	-	-	60,05	PHS 24B-1A50	
			C	-	30	102	160	90	24,13	61,57
	54	655,26	A	30	-	-	-	69,58	PHS 24B-1A54	
			C	-	30	102	160	100	24,13	69,84
	57	691,62	A	30	-	-	-	76,73	PHS 24B-1A57	
			C	-	30	133	160	100	24,13	76,05
	60	727,99	A	30	-	-	-	85,19	PHS 24B-1A60	
			C	-	30	133	160	100	24,13	80,05
	68	824,97	A	40	-	-	-	107,74	PHS 24B-1A68	
			C	-	30	133	160	100	24,13	93,39
	72	873,43	A	40	-	-	-	119,02	PHS 24B-1A72	
			C	-	30	133	160	100	24,13	111,51
	76	921,96	A	40	-	-	-	130,30	PHS 24B-1A76	
			C	-	30	133	160	100	24,13	129,62
	95	921,96	A	40	-	-	-	183,88	PHS 24B-1A95	
			C	-	30	133	160	100	24,13	215,67
	96	921,96	A	40	-	-	-	186,70	PHS 24B-1A96	
			C	-	30	133	160	100	24,13	220,20
	114	921,96	A	40	-	-	-	237,46	PHS 24B-1A114	
			C	-	30	133	160	100	24,13	301,71
	44,45	11	157,77	A	20	-	-	-	3,18	PHS 28B-1A11
				B	-	25	73	112	70	29,44
		12	171,74	A	20	-	-	-	3,95	PHS 28B-1A12
				B	-	25	84	125	70	29,44
		13	185,74	A	20	-	-	-	4,31	PHS 28B-1A13
				B	-	25	93	125	70	29,44
		14	199,76	A	20	-	-	-	4,77	PHS 28B-1A14
				B	-	25	93	125	70	29,44
		15	213,79	A	20	-	-	-	5,45	PHS 28B-1A15
				B	-	25	108	125	70	29,44
16		227,84	A	30	-	-	-	6,81	PHS 28B-1A16	
			B	-	30	108	160	75	29,44	12,76
17		241,91	A	30	-	-	-	7,71	PHS 28B-1A17	
			B	-	30	108	160	75	29,44	13,65
18		255,98	A	30	-	-	-	8,63	PHS 28B-1A18	
			B	-	30	108	160	75	29,44	13,65

Maximum bores can accommodate standard keyways. Larger bores are available where a shallow keyway is used or no keyway is required. All Type B or C sprockets, up to and including 25 tooth, are with hardened teeth as standard. For any additional size sprockets with hardened teeth, add "H" before the number of teeth, e.g. PHS 08B-1AH8.

**Metric sprockets, simplex, pilot bore**

ISO 28B-1 · 44,45 mm pitch | ISO 32B-1 · 50,80 mm pitch

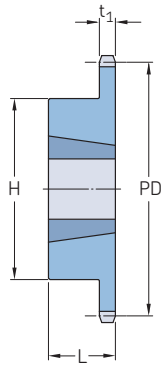
Pitch	Number of teeth	Pitch diameter	Type	Dimensions				Mass	Designation						
				Bore stock	Bore	Hub				Plate thickness					
						Min.	Max.				H	L			
mm	-	mm	-	mm	mm	mm	mm	mm	mm	mm	mm	mm	mm	kg	-
44,45	19	270,06	A	30	-	-	-	-	9,53	PHS 28B-1A19					
			B	-	30	108	160	75	29,44	15,01	PHS 28B-1BH19				
	20	284,14	A	30	-	-	-	-	10,44	PHS 28B-1A20					
			B	-	30	108	160	75	29,44	16,84	PHS 28B-1BH20				
	21	298,24	A	30	-	-	-	-	11,79	PHS 28B-1A21					
			B	-	30	108	160	75	29,44	18,19	PHS 28B-1BH21				
	22	312,34	A	30	-	-	-	-	13,17	PHS 28B-1A22					
			B	-	30	108	160	75	29,44	19,11	PHS 28B-1BH22				
	23	326,44	A	30	-	-	-	-	14,06	PHS 28B-1A23					
			B	-	30	108	160	75	29,44	20,46	PHS 28B-1BH23				
	24	340,54	A	30	-	-	-	-	15,44	PHS 28B-1A24					
			B	-	30	108	160	75	29,44	21,84	PHS 28B-1BH24				
	25	354,65	A	30	-	-	-	-	16,78	PHS 28B-1A25					
			B	-	30	108	160	75	29,44	22,73	PHS 28B-1BH25				
	26	368,77	A	30	-	-	-	-	18,61	PHS 28B-1A26					
			B	-	30	108	160	75	29,44	26,83	PHS 28B-1BH26				
	27	382,88	A	30	-	-	-	-	20,43	PHS 28B-1A27					
			B	-	30	108	160	75	29,44	27,74	PHS 28B-1BH27				
28	397,00	A	30	-	-	-	-	20,88	PHS 28B-1A28						
		B	-	30	108	160	75	29,44	30,29	PHS 28B-1BH28					
30	425,24	A	30	-	-	-	-	25,17	PHS 28B-1A30						
		B	-	30	108	160	75	29,44	32,73	PHS 28B-1BH30					
32	453,49	A	30	-	-	-	-	31,02	PHS 28B-1A32						
		B	-	30	134	180	75	29,44	34,84	PHS 28B-1BH32					
38	538,27	A	30	-	-	-	-	48,58	PHS 28B-1A38						
		B	-	30	134	180	75	29,44	51,25	PHS 28B-1BH38					
40	566,54	A	30	-	-	-	-	52,80	PHS 28B-1A40						
		C	-	30	134	180	75	29,44	52,84	PHS 28B-1C40					
42	594,81	A	30	-	-	-	-	57,02	PHS 28B-1A42						
		C	-	30	134	180	90	29,44	54,43	PHS 28B-1C42					
45	637,22	A	30	-	-	-	-	63,35	PHS 28B-1A45						
		C	-	30	134	180	90	29,44	60,55	PHS 28B-1C45					
48	679,63	A	30	-	-	-	-	69,68	PHS 28B-1A48						
		C	-	30	134	180	90	29,44	62,72	PHS 28B-1C48					
54	764,47	A	30	-	-	-	-	82,34	PHS 28B-1A54						
		C	-	30	134	180	100	29,44	74,60	PHS 28B-1C54					
57	806,89	A	40	-	-	-	-	88,67	PHS 28B-1A57						
		C	-	30	134	180	100	29,44	81,77	PHS 28B-1C57					
60	849,32	A	40	-	-	-	-	97,97	PHS 28B-1A60						
		C	-	30	134	180	100	29,44	88,94	PHS 28B-1C60					
68	962,47	A	40	-	-	-	-	122,79	PHS 28B-1A68						
		C	-	30	137	180	100	29,44	108,05	PHS 28B-1C68					
72	1 019,04	A	40	-	-	-	-	135,19	PHS 28B-1A72						
		C	-	30	137	180	100	29,44	117,61	PHS 28B-1C72					
76	1 075,62	A	40	-	-	-	-	147,60	PHS 28B-1A76						
		C	-	30	137	180	100	29,44	127,17	PHS 28B-1C76					
95	1 344,39	A	40	-	-	-	-	206,53	PHS 28B-1A95						
		C	-	30	137	180	100	29,44	172,57	PHS 28B-1C95					

Pitch	Number of teeth	Pitch diameter	Type	Dimensions				Mass	Designation					
				Bore stock	Bore	Hub				Plate thickness				
						Min.	Max.				H	L		
mm	-	mm	-	mm	mm	mm	mm	mm	mm	mm	mm	mm	kg	-
50,80	17	276,46	A	30	-	-	-	-	12,35	PHS 32B-1A17				
			B	-	30	103	160	90	29,44	20,23	PHS 32B-1BH17			
	18	292,55	A	30	-	-	-	-	13,96	PHS 32B-1A18				
			B	-	30	103	160	90	29,44	21,88	PHS 32B-1BH18			
	19	308,64	A	30	-	-	-	-	15,57	PHS 32B-1A19				
			B	-	30	103	160	90	29,44	23,53	PHS 32B-1BH19			
	20	324,74	A	30	-	-	-	-	17,36	PHS 32B-1A20				
			B	-	30	133	180	90	29,44	25,37	PHS 32B-1BH20			
	21	340,84	A	30	-	-	-	-	19,15	PHS 32B-1A21				
			B	-	30	133	180	90	29,44	27,20	PHS 32B-1BH21			
	22	356,96	A	30	-	-	-	-	21,13	PHS 32B-1A22				
			B	-	30	133	180	90	29,44	29,23	PHS 32B-1BH22			
	23	373,07	A	30	-	-	-	-	23,10	PHS 32B-1A23				
			B	-	30	133	180	90	29,44	31,25	PHS 32B-1BH23			
	24	389,19	A	30	-	-	-	-	25,26	PHS 32B-1A24				
			B	-	30	133	180	90	29,44	35,33	PHS 32B-1BH24			
	25	405,32	A	30	-	-	-	-	27,41	PHS 32B-1A25				
			B	-	30	133	180	90	29,44	36,80	PHS 32B-1BH25			
26	421,45	A	30	-	-	-	-	30,25	PHS 32B-1A26					
		B	-	30	133	180	90	29,44	39,41	PHS 32B-1BH26				
27	437,58	A	30	-	-	-	-	33,10	PHS 32B-1A27					
		B	-	30	133	180	90	29,44	42,02	PHS 32B-1BH27				
28	453,72	A	30	-	-	-	-	35,94	PHS 32B-1A28					
		B	-	30	133	180	90	29,44	44,62	PHS 32B-1BH28				
30	485,99	A	30	-	-	-	-	41,63	PHS 32B-1A30					
		B	-	30	133	180	90	29,44	49,84	PHS 32B-1BH30				
32	518,28	A	30	-	-	-	-	47,31	PHS 32B-1A32					
		B	-	30	139	180	90	29,44	58,02	PHS 32B-1BH32				
38	615,17	A	30	-	-	-	-	64,37	PHS 32B-1A38					
		B	-	30	139	180	90	29,44	86,78	PHS 32B-1BH38				
40	647,47	A	40	-	-	-	-	72,98	PHS 32B-1A40					
		C	-	30	139	180	90	29,44	91,35	PHS 32B-1C40				
42	679,78	A	40	-	-	-	-	81,60	PHS 32B-1A42					
		C	-	30	139	180	90	29,44	95,91	PHS 32B-1C42				
45	728,25	A	40	-	-	-	-	94,52	PHS 32B-1A45					
		C	-	30	139	180	100	29,44	116,97	PHS 32B-1C45				
48	790,72	A	40	-	-	-	-	107,44	PHS 32B-1A48					
		C	-	30	139	180	100	29,44	130,43	PHS 32B-1C48				
54	873,68	A	40	-	-	-	-	133,29	PHS 32B-1A54					
		C	-	30	139	180	100	29,44	157,34	PHS 32B-1C54				
57	922,16	A	40	-	-	-	-	146,21	PHS 32B-1A57					
		C	-	30	139	180	100	29,44	190,79	PHS 32B-1C57				
60	990,65	A	40	-	-	-	-	164,35	PHS 32B-1A60					
		C	-	30	139	200	110	29,44	184,25	PHS 32B-1C60				
68	1 099,96	A	40	-	-	-	-	212,73	PHS 32B-1A68					
		C	-	30	139	200	110	29,44	220,13	PHS 32B-1C68				
72	1 164,62	A	40	-	-	-	-	236,91	PHS 32B-1A72					
		C	-	30	139	200	110	29,44	282,31	PHS 32B-1C72				
90	1 229,28	A	40	-	-	-	-	261,10	PHS 32B-1A90					
		C	-	30	139	200	110	29,44	297,99	PHS 32B-1C90				

Maximum bores can accommodate standard keyways. Larger bores are available where a shallow keyway is used or no keyway is required. All Type B or C sprockets, up to and including 25 tooth, are with hardened teeth as standard. For any additional size sprockets with hardened teeth, add "H" before the number of teeth, e.g. PHS 08B-1AH8.

Metric sprockets, simplex, taper bushed

ISO 06B-1 · 9,525 mm pitch | ISO 08B-1 · 12,70 mm pitch



Type B

Pitch	Number of teeth	Pitch diameter	Type	Bushing number	Dimensions				Plate thickness	Mass Rim	Bushing	Designation
					Bore		L	H				
		PD			Min.	Max.			t <sub>1</sub>			
mm	-	mm	-	-	mm					kg	-	
9,525	16	48,82	B	1008	9	25,4	22,0	42,0 <sup>4)</sup>	5,31	0,12	0,09	PHS 06B-1TBH16
	17	51,83	B	1008	9	25,4	22,0	45,0	5,31	0,13	0,09	PHS 06B-1TBH17
	18	54,85	B	1008	9	25,4	22,0	45,0	5,31	0,14	0,09	PHS 06B-1TBH18
	19	57,87	B	1008	9	25,4	22,0	45,0	5,31	0,16	0,09	PHS 06B-1TBH19
	20	60,89	B	1008	9	25,4	22,0	46,0	5,31	0,18	0,09	PHS 06B-1TBH20
	21	63,91	B	1008	9	25,4	22,0	46,0	5,31	0,20	0,09	PHS 06B-1TBH21
	22	66,93	B	1108	9	28,0	22,0	52,0	5,31	0,24	0,12	PHS 06B-1TBH22
	23	69,95	B	1210	11	31,8	25,0	63,0 <sup>4)</sup>	5,31	0,30	0,21	PHS 06B-1TBH23
	24	72,97	B	1210	11	31,8	25,0	63,0	5,31	0,32	0,21	PHS 06B-1TBH24
	25	76,00	B	1210	11	31,8	25,0	63,0	5,31	0,35	0,21	PHS 06B-1TBH25
	26	79,02	B	1210	11	31,8	25,0	63,0	5,31	0,35	0,21	PHS 06B-1TB26
	27	82,05	B	1210	11	31,8	25,0	63,0	5,31	0,38	0,21	PHS 06B-1TB27
	28	85,07	B	1210	11	31,8	25,0	63,0	5,31	0,38	0,21	PHS 06B-1TB28
	29	88,09	B	1210	11	31,8	25,0	63,0	5,31	0,40	0,21	PHS 06B-1TB29
	30	91,12	B	1210	11	31,8	25,0	63,0	5,31	0,41	0,21	PHS 06B-1TB30
	32	97,18	B	1210	11	31,8	25,0	63,0	5,31	0,58	0,21	PHS 06B-1TB32
	35	106,26	B	1210	11	31,8	25,0	63,0	5,31	0,76	0,21	PHS 06B-1TB35
	36	109,29	B	1210	11	31,8	25,0	63,0	5,31	0,82	0,21	PHS 06B-1TB36
	38	115,35	B	1210	11	31,8	25,0	70,0	5,31	0,94	0,21	PHS 06B-1TB38
	40	121,40	B	1210	11	31,8	25,0	70,0	5,31	1,06	0,21	PHS 06B-1TB40
	45	136,55	B	1210	11	31,8	25,0	70,0	5,31	1,36	0,21	PHS 06B-1TB45
	48	145,65	B	1210	11	31,8	25,0	70,0	5,31	1,54	0,21	PHS 06B-1TB48
	54	163,82	B	1210	11	31,8	25,0	70,0	5,31	1,90	0,21	PHS 06B-1TB54
	57	172,90	B	1210	11	31,8	25,0	70,0	5,31	1,60	0,21	PHS 06B-1TB57
	60	182,00	B	1210	11	31,8	25,0	70,0	5,31	2,26	0,21	PHS 06B-1TB60
	70	212,30	B	1210	11	31,8	25,0	70,0	5,31	2,86	0,21	PHS 06B-1TB70
	76	230,49	B	1210	11	31,8	25,0	70,0	5,31	2,43	0,21	PHS 06B-1TB76
	95	288,08	B	1210	11	31,8	25,0	110,0	5,31	2,72	0,21	PHS 06B-1TB95
	114	345,68	B	1215	11	31,8	25,0	110,0	5,31	5,50	0,31	PHS 06B-1TB114
	12,70	14	57,07	B	1008	9	25,4	22,0	46,0 <sup>4)</sup>	7,37	0,12	0,14
15		61,09	B	1008	9	25,4	22,0	45,0	7,37	0,18	0,14	PHS 08B-1TBH15
16		65,10	B	1108	9	28,0	22,0	52,0	7,37	0,24	0,16	PHS 08B-1TBH16
17		69,11	B	1210	11	31,8	25,0	60,0 <sup>4)</sup>	7,37	0,24	0,27	PHS 08B-1TBH17
18		73,14	B	1210	11	31,8	25,0	60,0 <sup>4)</sup>	7,37	0,30	0,27	PHS 08B-1TBH18
19		77,16	B	1210	11	31,8	25,0	63,0	7,37	0,33	0,27	PHS 08B-1TBH19
20		81,19	B	1610	11	31,8	25,0	71,0	7,37	0,32	0,41	PHS 08B-1TBH20
21		85,22	B	1610	14	41,3	25,0	71,0	7,37	0,37	0,41	PHS 08B-1TBH21
22		89,24	B	1610	14	41,3	25,0	76,0	7,37	0,50	0,41	PHS 08B-1TBH22
23		93,27	B	1610	14	41,3	25,0	76,0	7,37	0,53	0,41	PHS 08B-1TBH23
24		97,29	B	1610	14	41,3	25,0	76,0	7,37	0,54	0,41	PHS 08B-1TBH24
25		101,33	B	1610	14	41,3	25,0	76,0	7,37	0,59	0,41	PHS 08B-1TBH25
26		105,36	B	1610	14	41,3	25,0	76,0	7,37	0,61	0,41	PHS 08B-1TB26
27		109,40	B	1610	14	41,3	25,0	76,0	7,37	0,94	0,41	PHS 08B-1TB27
28		113,42	B	2012	14	50,8	25,0	90,0	7,37	0,86	0,77	PHS 08B-1TB28
29		117,46	B	2012	14	50,8	25,0	90,0	7,37	0,90	0,77	PHS 08B-1TB29
30		121,50	B	2012	14	50,8	32,0	90,0	7,37	0,94	0,59	PHS 08B-1TB30
32		129,57	B	2012	14	50,8	32,0	90,0	7,37	1,12	0,59	PHS 08B-1TB32
35		141,68	B	2012	14	50,8	32,0	90,0	7,37	1,30	0,59	PHS 08B-1TB35
36		145,72	B	2012	14	50,8	32,0	90,0	7,37	1,48	0,59	PHS 08B-1TB36
38		153,80	B	2012	14	50,8	32,0	90,0	7,37	1,67	0,59	PHS 08B-1TB38
40		161,87	B	2012	14	50,8	32,0	90,0	7,37	1,80	0,59	PHS 08B-1TB40
42		169,94	B	2012	14	50,8	32,0	100,0	7,37	1,93	0,59	PHS 08B-1TB42
45		182,07	B	2012	14	50,8	32,0	100,0	7,37	2,06	0,59	PHS 08B-1TB45
48		194,18	B	2012	14	50,8	32,0	100,0	7,37	2,36	0,59	PHS 08B-1TB48

<sup>4)</sup> Undercut in hub for chain clearance

All Type B or C sprockets, up to and including 25 tooth, are with hardened teeth as standard.

For any additional size sprockets with hardened teeth, add "H" before the number of teeth, e.g. PHS 08B-1TBH16.

# Metric sprockets, simplex, taper bushed

ISO 08B-1 · 12,70 mm pitch | ISO 10B-1 · 15,88 mm pitch | ISO 12B-1 · 19,05 mm pitch

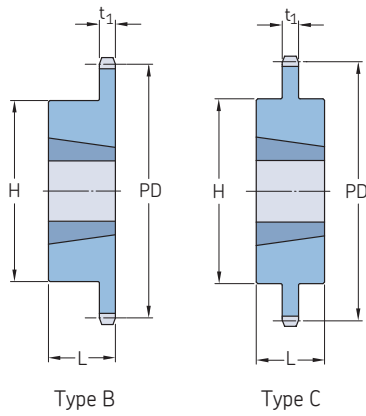
Pitch	Number of teeth	Pitch diameter PD	Type	Bushing number	Dimensions				Plate thickness t <sub>1</sub>	Mass Rim kg	Bushing	Designation	
					Bore		L	H					
mm	-	mm	-	-	mm	mm	mm	mm	mm	mm	-		
12,70	54	218,42	B	2012	14	50,8	32,0	100,0	7,37	2,66	0,59	PHS 08B-1TB54	
	57	230,53	B	2012	14	50,8	32,0	100,0	7,37	3,07	0,59	PHS 08B-1TB57	
	60	242,66	B	2012	14	50,8	32,0	100,0	7,37	3,23	0,59	PHS 08B-1TB60	
	70	283,07	B	2012	14	50,8	32,0	100,0	7,37	3,39	0,59	PHS 08B-1TB70	
	72	291,15	B	2012	14	50,8	32,0	100,0	7,37	3,55	0,59	PHS 08B-1TB72	
	76	307,31	B	2012	14	50,8	32,0	100,0	7,37	3,71	0,59	PHS 08B-1TB76	
	80	323,49	B	2012	14	50,8	32,0	100,0	7,37	4,55	0,59	PHS 08B-1TB80	
	84	339,65	B	2012	14	50,8	32,0	100,0	7,37	5,39	0,59	PHS 08B-1TB84	
	95	384,10	B	2012	14	50,8	32,0	100,0	7,37	6,23	0,59	PHS 08B-1TB95	
	96	388,15	B	2012	14	50,8	32,0	100,0	7,37	7,00	0,59	PHS 08B-1TB96	
	114	460,90	B	2517	16	63,5	45,0	110,0	7,37	8,10	1,30	PHS 08B-1TB114	
	15,88	12	61,34	B	1008	9	25,4	22,0	49,2 <sup>1)</sup>	9,17	0,21	0,09	PHS 10B-1TBH12
		13	66,32	B	1008	9	25,4	22,0	47,0	9,17	0,25	0,09	PHS 10B-1TBH13
		14	71,34	B	1108	9	25,4	22,0	52,0	9,17	0,27	0,12	PHS 10B-1TBH14
15		76,36	B	1210	11	31,8	25,0	60,0	9,17	0,33	0,21	PHS 10B-1TBH15	
16		81,37	B	1610	14	41,3	25,0	70,6 <sup>4)</sup>	9,17	0,32	0,31	PHS 10B-1TBH16	
17		86,39	B	1610	14	41,3	25,0	71,0 <sup>4)</sup>	9,17	0,40	0,31	PHS 10B-1TBH17	
18		91,42	B	1610	14	41,3	25,0	75,0	9,17	0,50	0,31	PHS 10B-1TBH18	
19		96,45	B	1610	14	41,3	25,0	75,0	9,17	0,56	0,31	PHS 10B-1TBH19	
20		101,49	B	1610	14	41,3	25,0	76,0	9,17	0,64	0,31	PHS 10B-1TBH20	
21		106,52	B	1610	14	41,3	25,0	76,0	9,17	0,69	0,31	PHS 10B-1TBH21	
22		111,55	B	1610	14	41,3	25,0	76,0	9,17	0,75	0,31	PHS 10B-1TBH22	
23		116,58	B	1610	14	41,3	25,0	76,0	9,17	0,81	0,31	PHS 10B-1TBH23	
24		121,62	B	2012	14	50,8	32,0	90,0	9,17	1,00	0,59	PHS 10B-1TBH24	
25		126,66	B	2012	14	50,8	32,0	90,0	9,17	1,06	0,59	PHS 10B-1TBH25	
26		131,70	B	2012	14	50,8	32,0	90,0	9,17	1,14	0,59	PHS 10B-1TB26	
27		136,75	B	2012	14	50,8	32,0	90,0	9,17	1,19	0,59	PHS 10B-1TB27	
28		141,78	B	2012	14	50,8	32,0	90,0	9,17	1,28	0,59	PHS 10B-1TB28	
29		146,83	B	2012	14	50,8	32,0	90,0	9,17	1,37	0,59	PHS 10B-1TB29	
30		151,87	B	2012	14	50,8	32,0	90,0	9,17	1,65	0,59	PHS 10B-1TB30	
32		161,96	B	2012	14	50,8	32,0	98,0	9,17	2,21	0,59	PHS 10B-1TB32	
35		177,10	B	2012	14	50,8	32,0	98,0	9,17	3,05	0,59	PHS 10B-1TB35	
36		182,15	B	2012	14	50,8	32,0	98,0	9,17	3,33	0,59	PHS 10B-1TB36	
38		192,24	B	2012	14	50,8	32,0	100,0	9,17	3,89	0,59	PHS 10B-1TB38	
40		202,33	B	2012	14	50,8	32,0	100,0	9,17	4,45	0,59	PHS 10B-1TB40	
42		212,43	B	2012	14	50,8	32,0	100,0	9,17	5,01	0,59	PHS 10B-1TB42	
45		227,58	B	2012	14	50,8	32,0	100,0	9,17	3,97	0,59	PHS 10B-1TB45	
48		242,73	B	2012	14	50,8	32,0	100,0	9,17	6,69	0,59	PHS 10B-1TB48	
54		273,03	B	2012	14	50,8	32,0	100,0	9,17	8,37	0,59	PHS 10B-1TB54	
57		288,19	B	2012	14	50,8	32,0	100,0	9,17	5,45	0,59	PHS 10B-1TB57	
60		303,33	B	2012	14	50,8	32,0	100,0	9,17	10,05	0,59	PHS 10B-1TB60	
70		353,84	B	2012	16	63,5	45,0	100,0	9,17	12,85	1,30	PHS 10B-1TB70	
72		363,95	B	2012	16	63,5	45,0	100,0	9,17	13,41	1,30	PHS 10B-1TB72	
76		384,15	B	2012	14	50,8	45,0	100,0	9,17	7,43	0,59	PHS 10B-1TB76	
80		404,35	B	2012	16	63,5	45,0	110,0	9,17	15,65	1,30	PHS 10B-1TB80	
84		424,70	B	2012	16	63,5	45,0	110,0	9,17	16,77	1,30	PHS 10B-1TB84	
95		480,14	B	2517	14	50,8	45,0	110,0	9,17	19,85	0,59	PHS 10B-1TB95	
96		485,30	B	2517	16	63,5	45,0	110,0	9,17	20,13	1,30	PHS 10B-1TB96	
114		576,13	B	2517	16	63,5	45,0	110,0	9,17	25,17	1,30	PHS 10B-1TB114	
19,05		11	67,61	B	1008	9	25,4	22,0	46,0	11,10	0,22	0,09	PHS 12B-1TBH11
		12	73,61	B	1008	9	25,4	22,0	49,2	11,10	0,30	0,09	PHS 12B-1TBH12
		13	79,59	B	1210	11	31,8	25,0	60,0	11,10	0,38	0,21	PHS 12B-1TBH13
		14	85,61	B	1610	14	41,3	25,0	70,0	11,10	0,46	0,31	PHS 12B-1TBH14
		15	91,63	B	1610	14	41,3	25,0	70,0	11,10	0,48	0,31	PHS 12B-1TBH15
		16	97,65	B	1610	14	41,3	25,0	75,0	11,10	0,60	0,31	PHS 12B-1TBH16
		17	103,67	B	1610	14	41,3	25,0	76,0	11,10	0,70	0,31	PHS 12B-1TBH17
		18	109,71	B	2012	14	50,8	32,0	90,0	11,10	0,86	0,59	PHS 12B-1TBH18
		19	115,75	B	2012	14	50,8	32,0	90,0	11,10	0,98	0,59	PHS 12B-1TBH19
		20	121,78	B	2012	14	50,8	32,0	95,0	11,10	1,25	0,59	PHS 12B-1TBH20
	21	127,82	B	2517	16	63,5	45,0	102,0	11,10	1,28	1,30	PHS 12B-1TBH21	
	22	133,86	B	2517	16	63,5	45,0	102,0	11,10	1,37	1,30	PHS 12B-1TBH22	
	23	139,90	B	2517	16	63,5	45,0	108,0	11,10	1,75	1,30	PHS 12B-1TBH23	
	24	145,94	B	2517	16	63,5	45,0	108,0	11,10	1,85	1,30	PHS 12B-1TBH24	
	25	152,00	B	2517	16	63,5	45,0	108,0	11,10	1,95	1,30	PHS 12B-1TBH25	
	26	158,04	B	2517	16	63,5	45,0	108,0	11,10	2,09	1,30	PHS 12B-1TB26	
	27	164,09	B	2517	16	63,5	45,0	108,0	11,10	2,22	1,30	PHS 12B-1TB27	
	28	170,13	B	2517	16	63,5	45,0	108,0	11,10	2,36	1,30	PHS 12B-1TB28	
	29	176,19	B	2517	16	63,5	45,0	108,0	11,10	2,75	1,30	PHS 12B-1TB29	
	30	182,25	B	2517	16	63,5	45,0	108,0	11,10	2,89	1,30	PHS 12B-1TB30	
	32	194,36	B	2517	16	63,5	45,0	108,0	11,10	3,59	1,30	PHS 12B-1TB32	
	35	212,52	B	2517	16	63,5	45,0	108,0	11,10	4,41	1,30	PHS 12B-1TB35	
	36	218,58	B	2517	16	63,5	45,0	108,0	11,10	4,68	1,30	PHS 12B-1TB36	
	38	230,69	B	2517	16	63,5	45,0	108,0	11,10	4,60	1,30	PHS 12B-1TB38	

<sup>1)</sup> Undercut in hub for chain clearance  
 All Type B or C sprockets, up to and including 25 tooth, are with hardened teeth as standard.  
 For any additional size sprockets with hardened teeth, add "H" before the number of teeth, e.g. PHS 08B-1TBH16.



Metric sprockets, simplex, taper bushed

ISO 12B-1 · 19,05 mm pitch | ISO 16B-1 · 25,40 mm pitch



Pitch	Number of teeth	Pitch diameter PD	Type	Bushing number	Dimensions				Plate thickness $t_1$	Mass Rim	Bushing	Designation
					Bore	Min.	Max.	L				
mm	-	mm	-	-	mm				kg		-	
19,05	40	242,81	B	2517	16	63,5	45,0	108,0	11,10	5,78	1,30	PHS 12B-1TB40
	42	254,93	B	2517	16	63,5	45,0	108,0	11,10	6,33	1,30	PHS 12B-1TB42
	45	273,10	B	2517	16	63,5	45,0	108,0	11,10	5,70	1,30	PHS 12B-1TB45
	48	291,27	B	2517	16	63,5	45,0	108,0	11,10	7,97	1,30	PHS 12B-1TB48
	54	327,64	B	2517	16	63,5	45,0	108,0	11,10	9,61	1,30	PHS 12B-1TB54
	57	345,81	B	2517	16	63,5	45,0	108,0	11,10	6,49	1,30	PHS 12B-1TB57
	60	363,99	B	2517	16	63,5	45,0	108,0	11,10	11,25	1,30	PHS 12B-1TB60
	68	412,49	B	2517	16	63,5	45,0	108,0	11,10	13,44	1,30	PHS 12B-1TB68
	70	424,60	B	2517	16	63,5	45,0	108,0	11,10	13,99	1,30	PHS 12B-1TB70
	72	436,74	B	2517	16	63,5	45,0	108,0	11,10	14,54	1,30	PHS 12B-1TB72
	76	460,99	B	2517	16	63,5	45,0	108,0	11,10	11,20	1,30	PHS 12B-1TB76
	84	509,48	B	2517	16	63,5	45,0	108,0	11,10	17,82	1,30	PHS 12B-1TB84
	95	576,17	B	2517	16	63,5	45,0	108,0	11,10	17,64	1,30	PHS 12B-1TB95
	96	582,23	B	2517	16	63,5	45,0	108,0	11,10	21,11	1,30	PHS 12B-1TB96
114	691,36	B	2517	16	63,5	64,0	108,0	11,10	26,04	1,30	PHS 12B-1TB114	
25,40	10	82,19	B	1215	11	31,8	38,0	62,7	16,18	0,34	0,30	PHS 16B-1TBH10
	11	90,14	B	1215	11	31,8	38,0	62,7	16,18	0,57	0,30	PHS 16B-1TBH11
	12	98,14	B	1615	14	41,3	38,0	76,2	16,18	0,81	0,43	PHS 16B-1TBH12
	13	106,12	B	1615	14	41,3	38,0	73,0	16,18	1,03	0,43	PHS 16B-1TBH13
	14	114,15	B	1615	14	41,3	38,0	78,0	16,18	1,26	0,43	PHS 16B-1TBH14
	15	122,17	B	1615	14	41,3	38,0	76,0	16,18	1,40	0,43	PHS 16B-1TBH15
	16	130,20	B	2012	14	50,8	32,0	90,0	16,18	1,42	0,59	PHS 16B-1TBH16
	17	138,22	B	2012	14	50,8	32,0	90,0	16,18	1,60	0,59	PHS 16B-1TBH17
	18	146,28	B	2517	16	63,5	45,0	108,0	16,18	2,09	1,30	PHS 16B-1TBH18
	19	154,33	B	2517	16	63,5	45,0	108,0	16,18	2,30	1,30	PHS 16B-1TBH19
	20	162,38	B	2517	16	63,5	45,0	110,0	16,18	2,56	1,30	PHS 16B-1TBH20
	21	170,43	B	2517	16	63,5	45,0	110,0	16,18	2,80	1,30	PHS 16B-1TBH21
	22	178,48	B	2517	16	63,5	45,0	110,0	16,18	3,36	1,30	PHS 16B-1TBH22
	23	186,53	B	2517	16	63,5	45,0	110,0	16,18	3,34	1,30	PHS 16B-1TBH23
	24	194,59	B	2517	16	63,5	45,0	110,0	16,18	3,66	1,30	PHS 16B-1TBH24
	25	202,66	B	2517	16	63,5	45,0	110,0	16,18	3,96	1,30	PHS 16B-1TBH25
	26	210,72	B	2517	16	63,5	45,0	110,0	16,18	4,26	1,30	PHS 16B-1TB26
	27	218,79	B	2517	16	63,5	45,0	110,0	16,18	4,63	1,30	PHS 16B-1TB27
	28	226,85	B	2517	16	63,5	45,0	140,0	16,18	4,97	1,30	PHS 16B-1TB28
	29	234,92	B	3020	25	76,2	51,0	140,0	16,18	6,24	2,24	PHS 16B-1TB29
	30	243,00	B	3020	25	76,2	51,0	140,0	16,18	6,67	2,24	PHS 16B-1TB30
	32	259,13	B	3020	25	76,2	51,0	140,0	16,18	8,37	2,24	PHS 16B-1TB32
	35	283,36	B	3020	25	76,2	51,0	140,0	16,18	10,92	2,24	PHS 16B-1TB35
	36	291,44	B	3020	25	76,2	51,0	140,0	16,18	11,77	2,24	PHS 16B-1TB36
	38	307,59	B	3020	25	76,2	51,0	140,0	16,18	9,49	2,24	PHS 16B-1TB38
	40	323,75	B	3020	25	76,2	51,0	140,0	16,18	15,17	2,24	PHS 16B-1TB40
	45	364,13	B	3020	25	76,2	51,0	140,0	16,18	11,70	2,24	PHS 16B-1TB45
	48	388,36	B	3020	25	76,2	51,0	140,0	16,18	18,91	2,24	PHS 16B-1TB48
	54	436,85	B	3020	25	76,2	51,0	140,0	16,18	21,72	2,24	PHS 16B-1TB54
	57	461,07	B	3020	25	76,2	51,0	140,0	16,18	15,00	2,24	PHS 16B-1TB57
	60	485,32	B	3020	25	76,2	51,0	140,0	16,18	24,52	2,24	PHS 16B-1TB60
	64	517,65	B	3020	25	76,2	51,0	140,0	16,18	26,39	2,24	PHS 16B-1TB64
70	566,14	B	3020	25	76,2	51,0	140,0	16,18	29,20	2,24	PHS 16B-1TB70	
76	614,65	B	3020	25	76,2	51,0	140,0	16,18	23,00	2,24	PHS 16B-1TB76	
80	646,96	B	3020	25	76,2	51,0	140,0	16,18	33,87	2,24	PHS 16B-1TB80	
84	679,30	B	3020	25	76,2	51,0	140,0	16,18	35,74	2,24	PHS 16B-1TB84	
95	768,22	B	3020	25	76,2	51,0	140,0	16,18	40,88	2,24	PHS 16B-1TB95	
114	921,81	B	3020	25	76,2	76,0	140,0	16,18	49,77	2,24	PHS 16B-1TB114	

<sup>1)</sup> Undercut in hub for chain clearance

All Type B or C sprockets, up to and including 25 tooth, are with hardened teeth as standard.

For any additional size sprockets with hardened teeth, add "H" before the number of teeth, e.g. PHS 08B-1TBH16.



# Metric sprockets, simplex, taper bushed

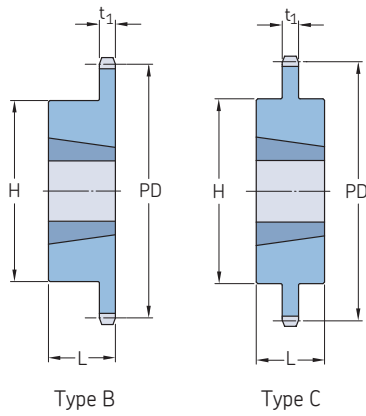
ISO 20B-1 · 31,75 mm pitch | ISO 24B-1 · 38,10 mm pitch | ISO 28B-1 · 44,45 mm pitch

Pitch	Number of teeth	Pitch diameter	Type	Bushing number	Dimensions				Plate thickness	Mass Rim	Bushing	Designation	
					Bore		L	H					
		PD			Min.	Max.			t <sub>1</sub>				
mm	-	mm	-	-	mm				kg		-		
31,75	11	112,70	B	1615	14	41,3	38,0	62,7	18,59	1,22	0,43	PHS 20B-1TBH11	
	12	122,67	B	1615	14	41,3	38,0	70,6	18,59	1,41	0,43	PHS 20B-1TBH12	
	13	132,67	B	2012	14	50,8	32,0	90,0	18,59	1,45	0,59	PHS 20B-1TBH13	
	14	142,68	B	2012	14	50,8	32,0	90,5	18,59	1,63	0,59	PHS 20B-1TBH14	
	15	152,71	B	2517	16	63,5	45,0	108,0	18,59	2,31	1,30	PHS 20B-1TBH15	
	16	162,75	B	2517	16	63,5	45,0	108,0	18,59	2,72	1,30	PHS 20B-1TBH16	
	17	172,79	B	2517	16	63,5	45,0	108,0	18,59	3,27	1,30	PHS 20B-1TBH17	
	18	182,84	B	2517	16	63,5	45,0	108,0	18,59	3,63	1,30	PHS 20B-1TBH18	
	19	192,90	B	2517	16	63,5	45,0	108,0	18,59	4,09	1,30	PHS 20B-1TBH19	
	20	202,96	B	2517	16	63,5	45,0	108,0	18,59	4,40	1,30	PHS 20B-1TBH20	
	21	213,03	B	2517	16	63,5	45,0	108,0	18,59	4,54	1,30	PHS 20B-1TBH21	
	22	223,10	B	2517	16	63,5	45,0	108,0	18,59	4,77	1,30	PHS 20B-1TBH22	
	23	233,17	B	2517	16	63,5	45,0	108,0	18,59	5,58	1,30	PHS 20B-1TBH23	
	24	243,25	B	2517	16	63,5	45,0	108,0	18,59	6,13	1,30	PHS 20B-1TBH24	
	25	253,32	B	2517	16	63,5	45,0	108,0	18,59	6,95	1,30	PHS 20B-1TBH25	
	26	263,41	B	2517	16	63,5	51,0	108,0	18,59	7,35	1,30	PHS 20B-1TB26	
	28	283,57	B	3020	25	76,2	51,0	150,0	18,59	7,90	2,24	PHS 20B-1TB28	
	30	303,75	B	3020	25	76,2	51,0	150,0	18,59	9,62	2,24	PHS 20B-1TB30	
	32	323,92	B	3020	25	76,2	51,0	160,0	18,59	11,03	2,24	PHS 20B-1TB32	
	35	354,20	B	3020	25	76,2	51,0	160,0	18,59	13,15	2,24	PHS 20B-1TB35	
	36	364,29	B	3020	25	76,2	51,0	160,0	18,59	13,86	2,24	PHS 20B-1TB36	
	38	384,48	B	3020	25	76,2	51,0	160,0	18,59	15,98	2,24	PHS 20B-1TB38	
	40	404,67	B	3020	25	76,2	51,0	160,0	18,59	19,43	2,24	PHS 20B-1TB40	
	45	455,15	B	3020	25	76,2	51,0	160,0	18,59	25,18	2,24	PHS 20B-1TB45	
	48	485,45	B	3020	25	76,2	51,0	160,0	18,59	28,62	2,24	PHS 20B-1TB48	
	54	546,05	B	3020	25	76,2	51,0	160,0	18,59	35,52	2,24	PHS 20B-1TB54	
	57	576,35	B	3020	25	76,2	51,0	160,0	18,59	37,82	2,24	PHS 20B-1TB57	
	60	606,66	B	3020	25	76,2	51,0	160,0	18,59	41,27	2,24	PHS 20B-1TB60	
	70	707,68	C	3535	35	88,9	51,0	160,0	24,13	51,56	5,18	PHS 20B-1TB70	
	72	727,89	C	3535	35	88,9	51,0	160,0	24,13	53,97	5,18	PHS 20B-1TB72	
	76	768,30	C	3535	35	88,9	51,0	160,0	24,13	60,33	5,18	PHS 20B-1TB76	
	80	808,71	C	3535	35	88,9	51,0	160,0	24,13	66,23	5,18	PHS 20B-1TB80	
	84	849,13	C	3535	35	88,9	51,0	160,0	24,13	73,48	5,18	PHS 20B-1TB84	
	90	909,76	C	3535	35	88,9	51,0	160,0	24,13	94,33	5,18	PHS 20B-1TB90	
	95	960,28	C	3535	35	88,9	51,0	160,0	24,13	96,16	5,18	PHS 20B-1TB95	
	38,10	11	135,23	B	2012	14	50,8	31,8	90,5	24,13	2,28	0,59	PHS 24B-1TBH11
		12	147,21	B	2012	14	50,8	31,8	90,5	24,13	2,49	0,59	PHS 24B-1TBH12
		13	159,20	B	2517	16	63,5	44,5	107,9	24,13	2,77	1,30	PHS 24B-1TBH13
		14	171,22	B	2517	16	63,5	44,5	107,9	24,13	3,54	1,30	PHS 24B-1TBH14
		15	183,25	B	2517	16	63,5	44,5	107,9	24,13	4,31	1,30	PHS 24B-1TBH15
		16	195,29	B	3020	25	76,2	50,8	133,4	24,13	4,77	2,24	PHS 24B-1TBH16
		17	207,35	B	3020	25	76,2	50,8	133,4	24,13	5,45	2,24	PHS 24B-1TBH17
		18	219,41	B	3020	25	76,2	50,8	133,4	24,13	6,13	2,24	PHS 24B-1TBH18
		19	231,48	B	3020	25	76,2	50,8	133,4	24,13	6,81	2,24	PHS 24B-1TBH19
		20	243,55	B	3020	25	76,2	50,8	133,4	24,13	7,49	2,24	PHS 24B-1TBH20
21		255,63	B	3020	25	76,2	50,8	133,4	24,13	7,94	2,24	PHS 24B-1TBH21	
22		267,72	B	3020	25	76,2	50,8	133,4	24,13	8,75	2,24	PHS 24B-1TBH22	
23		279,80	B	3020	25	76,2	50,8	133,4	24,13	9,53	2,24	PHS 24B-1TBH23	
24		291,90	B	3020	25	76,2	50,8	133,4	24,13	10,67	2,24	PHS 24B-1TBH24	
25		303,99	B	3020	25	76,2	50,8	133,4	24,13	11,80	2,24	PHS 24B-1TBH25	
26		316,09	B	3020	25	76,2	50,8	133,4	24,13	12,93	2,24	PHS 24B-1TB26	
27		328,19	B	3020	25	76,2	50,8	133,4	24,13	13,50	2,24	PHS 24B-1TB27	
28		340,29	B	3020	25	76,2	50,8	133,4	24,13	14,70	2,24	PHS 24B-1TB28	
29		352,29	B	3020	25	76,2	50,8	133,4	24,13	14,75	2,24	PHS 24B-1TB29	
30		364,49	B	3020	25	76,2	50,8	133,4	24,13	15,20	2,24	PHS 24B-1TB30	
32		388,71	B	3020	25	76,2	50,8	133,4	24,13	15,76	2,24	PHS 24B-1TB32	
38		461,37	B	3030	35	76,2	76,2	139,7	24,13	24,97	3,04	PHS 24B-1TB38	
40		485,60	C	3030	35	76,2	76,2	139,7	24,13	28,46	3,04	PHS 24B-1TB40	
42		509,83	C	3030	35	76,2	76,2	139,7	24,13	31,95	3,04	PHS 24B-1TB42	
45		546,19	C	3030	35	76,2	76,2	139,7	24,13	37,19	3,04	PHS 24B-1TB45	
48		582,54	C	3030	35	76,2	76,2	139,7	24,13	42,43	3,04	PHS 24B-1TB48	
50		606,78	C	3030	35	76,2	76,2	139,7	24,13	45,92	3,04	PHS 24B-1TB50	
54		655,26	C	3535	35	88,9	88,9	165,1	24,13	63,32	5,18	PHS 24B-1TB54	
57		691,62	C	3535	35	88,9	88,9	165,1	24,13	71,46	5,18	PHS 24B-1TB57	
60		727,99	C	3535	35	88,9	88,9	165,1	24,13	79,60	5,18	PHS 24B-1TB60	
68		824,97	C	3535	35	88,9	88,9	165,1	24,13	101,31	5,18	PHS 24B-1TB68	
72		873,46	C	3535	35	88,9	88,9	165,1	24,13	112,17	5,18	PHS 24B-1TB72	
76		921,96	C	3535	35	88,9	88,9	165,1	24,13	123,02	5,18	PHS 24B-1TB76	
95		1 152,33	C	4040	40	101,6	101,6	196,9	24,13	196,67	8,27	PHS 24B-1TB95	
96		1 164,46	C	4040	40	101,6	101,6	196,9	24,13	201,03	8,27	PHS 24B-1TB96	
114		1 382,72	C	4040	40	101,6	101,6	196,9	24,13	279,50	8,27	PHS 24B-1TB114	
44,45		11	157,77	B	2517	16	63,5	44,5	107,9	29,44	3,53	1,30	PHS 28B-1TBH11
		12	171,74	B	2517	16	63,5	44,5	107,9	29,44	3,86	1,30	PHS 28B-1TBH12

<sup>1)</sup> Undercut in hub for chain clearance  
 All Type B or C sprockets, up to and including 25 tooth, are with hardened teeth as standard.  
 For any additional size sprockets with hardened teeth, add "H" before the number of teeth, e.g. PHS 08B-1TBH16.

Metric sprockets, simplex, taper bushed

ISO 28B-1 · 44,45 mm pitch | ISO 32B-1 · 50,80 mm pitch



Pitch	Number of teeth	Pitch diameter PD	Type	Bushing number	Dimensions				Plate thickness $t_1$	Mass Rim	Bushing	Designation
					Bore		L	H				
mm	-	mm	-	-	mm	Min.	Max.			kg	-	
44,45	13	185,75	B	3020	25	76,2	50,8	133,4	29,44	5,90	2,24	PHS 28B-1TBH13
	14	199,76	B	3020	25	76,2	50,8	133,4	29,44	7,04	2,24	PHS 28B-1TBH14
	15	213,79	B	3020	25	76,2	50,8	133,4	29,44	8,17	2,24	PHS 28B-1TBH15
	16	227,84	B	3020	25	76,2	50,8	133,4	29,44	9,76	2,24	PHS 28B-1TBH16
	17	241,91	B	3020	25	76,2	50,8	133,4	29,44	11,35	2,24	PHS 28B-1TBH17
	18	255,98	B	3020	25	76,2	50,8	133,4	29,44	12,49	2,24	PHS 28B-1TBH18
	19	270,06	B	3020	25	76,2	50,8	133,4	29,44	13,62	2,24	PHS 28B-1TBH19
	20	284,15	B	3020	25	76,2	50,8	133,4	29,44	14,30	2,24	PHS 28B-1TBH20
	21	298,24	B	3020	25	76,2	50,8	133,4	29,44	14,98	2,24	PHS 28B-1TBH21
	22	312,34	B	3020	25	76,2	50,8	133,4	29,44	16,91	2,24	PHS 28B-1TBH22
	23	326,44	B	3020	25	76,2	50,8	133,4	29,44	18,84	2,24	PHS 28B-1TBH23
	24	340,55	B	3020	25	76,2	50,8	133,4	29,44	20,77	2,24	PHS 28B-1TBH24
	25	354,66	B	3020	25	76,2	50,8	133,4	29,44	22,70	2,24	PHS 28B-1TBH25
	26	368,77	B	3020	25	76,2	50,8	133,4	29,44	24,63	2,24	PHS 28B-1TB26
	27	382,88	B	3020	25	76,2	50,8	133,4	29,44	26,56	2,24	PHS 28B-1TB27
	28	397,00	B	3020	25	76,2	50,8	133,4	29,44	28,49	2,24	PHS 28B-1TB28
	30	425,24	B	3020	25	76,2	50,8	133,4	29,44	32,35	2,24	PHS 28B-1TB30
	32	453,49	B	3020	25	76,2	50,8	133,4	29,44	36,21	2,24	PHS 28B-1TB32
	38	538,27	B	3535	35	88,9	88,9	165,1	29,44	45,40	3,56	PHS 28B-1TB38
	40	566,54	C	3535	35	88,9	88,9	165,1	29,44	47,79	3,56	PHS 28B-1TB40
	42	594,82	C	3535	35	88,9	88,9	165,1	29,44	50,18	3,56	PHS 28B-1TB42
	45	637,22	C	4040	40	101,6	101,6	219,1	29,44	57,35	8,27	PHS 28B-1TB45
	48	679,63	C	4040	40	101,6	101,6	219,1	29,44	61,17	8,27	PHS 28B-1TB48
	54	764,46	C	4040	40	101,6	101,6	219,1	29,44	68,82	8,27	PHS 28B-1TB54
	57	806,90	C	4040	40	101,6	101,6	219,1	29,44	72,64	8,27	PHS 28B-1TB57
	60	849,32	C	4040	40	101,6	101,6	219,1	29,44	76,44	8,27	PHS 28B-1TB60
	68	962,46	C	4040	40	101,6	101,6	219,1	29,44	86,63	8,27	PHS 28B-1TB68
72	1 019,05	C	4040	40	101,6	101,6	219,1	29,44	91,73	8,27	PHS 28B-1TB72	
76	1 075,62	C	4040	40	101,6	101,6	219,1	29,44	96,83	8,27	PHS 28B-1TB76	
95	1 344,37	C	4040	40	101,6	101,6	219,1	29,44	121,03	8,27	PHS 28B-1TB95	
50,80	11	180,34	B	2517	16	63,5	44,5	107,9	29,44	4,51	1,30	PHS 32B-1TBH11
	12	196,29	B	3020	25	76,2	50,8	133,4	29,44	5,27	2,24	PHS 32B-1TBH12
	13	212,29	B	3020	25	76,2	50,8	133,4	29,44	6,38	2,24	PHS 32B-1TBH13
	14	228,29	B	3020	25	76,2	50,8	133,4	29,44	6,87	2,24	PHS 32B-1TBH14
	15	244,30	B	3535	35	88,9	88,9	165,1	29,44	11,80	5,18	PHS 32B-1TBH15
	16	260,40	B	3535	35	88,9	88,9	165,1	29,44	13,38	5,18	PHS 32B-1TBH16
	17	276,40	B	3535	35	88,9	88,9	165,1	29,44	14,98	5,18	PHS 32B-1TBH17
	18	292,55	B	3535	35	88,9	88,9	165,1	29,44	16,12	5,18	PHS 32B-1TBH18
	19	308,66	B	3535	35	88,9	88,9	165,1	29,44	17,25	5,18	PHS 32B-1TBH19
	20	324,71	B	3535	35	88,9	88,9	165,1	29,44	21,10	5,18	PHS 32B-1TBH20
	21	340,82	B	3535	35	88,9	88,9	165,1	29,44	24,94	5,18	PHS 32B-1TBH21
	22	356,98	B	3535	35	88,9	88,9	165,1	29,44	27,79	5,18	PHS 32B-1TBH22
	23	373,08	B	3535	35	88,9	88,9	165,1	29,44	30,64	5,18	PHS 32B-1TBH23
	24	389,18	B	3535	35	88,9	88,9	165,1	29,44	33,48	5,18	PHS 32B-1TBH24
	25	405,33	B	3535	35	88,9	88,9	165,1	29,44	36,32	5,18	PHS 32B-1TBH25
	26	421,44	B	3535	35	88,9	88,9	165,1	29,44	39,16	5,18	PHS 32B-1TB26
	27	437,59	B	3535	35	88,9	88,9	165,1	29,44	42,00	5,18	PHS 32B-1TB27
	28	453,69	B	3535	35	88,9	88,9	165,1	29,44	44,84	5,18	PHS 32B-1TB28
	30	486,00	B	3535	35	88,9	88,9	165,1	29,44	50,52	5,18	PHS 32B-1TB30
	32	518,26	B	3535	35	88,9	88,9	165,1	29,44	56,20	5,18	PHS 32B-1TB32
	38	615,14	B	4040	40	101,6	101,6	219,1	29,44	68,10	8,27	PHS 32B-1TB38
	40	647,49	C	4040	40	101,6	101,6	219,1	29,44	77,08	8,27	PHS 32B-1TB40
	45	728,26	C	4040	40	101,6	101,6	219,1	29,44	99,53	8,27	PHS 32B-1TB45
	48	776,72	C	4040	40	101,6	101,6	219,1	29,44	113,01	8,27	PHS 32B-1TB48

<sup>1)</sup> Undercut in hub for chain clearance

All Type B or C sprockets, up to and including 25 tooth, are with hardened teeth as standard.

For any additional size sprockets with hardened teeth, add "H" before the number of teeth, e.g. PHS 08B-1TBH16.

## Metric sprockets, simplex, taper bushed

ISO 32B-1 · 50,80 mm pitch

Pitch	Number of teeth	Pitch diameter PD	Type	Bushing number	Dimensions				Plate thickness $t_1$	Mass Rim	Bushing	Designation
					Bore		L	H				
					Min.	Max.						
mm	-	mm	-	-	mm					kg	-	
50,80	54	873,68	C	4040	40	101,6	114,3	219,1	29,44	139,95	8,27	PHS 32B-1TB54
	57	922,17	C	4545	55	114,3	114,3	247,7	29,44	136,20	9,99	PHS 32B-1TB57
	60	970,63	C	4545	55	114,3	114,3	247,7	29,44	158,84	9,99	PHS 32B-1TB60
	64	1 035,30	C	4545	55	114,3	114,3	247,7	29,44	189,03	9,99	PHS 32B-1TB64
	70	1 132,29	C	4545	55	114,3	114,3	247,7	29,44	234,32	9,99	PHS 32B-1TB70

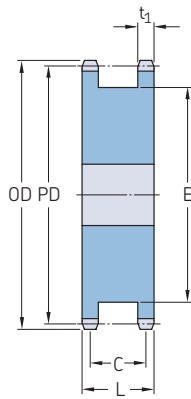
<sup>1)</sup> Undercut in hub for chain clearance

All Type B or C sprockets, up to and including 25 tooth, are with hardened teeth as standard.

For any additional size sprockets with hardened teeth, add "H" before the number of teeth, e.g. PHS 08B-1TBH16.

**Metric sprockets, double simplex, pilot bore**

ISO 06B-1 · 9,525 mm pitch | ISO 08B-1 · 12,70 mm pitch | ISO 10B-1 · 15,88 mm pitch | ISO 12B-1 · 19,05 mm pitch



Type A

Pitch	Number of teeth	Diameters Outside		Pitch	Type	Dimensions Bore			Plate thickness $t_1$	Mass	Designation	
		OD	PD			Min.	Max.	L				C
mm	-	mm		-	-	mm			kg	-		
9,525	14	46,30	42,80	A	10	20,00	25,5	20,3	31	5,31	0,17	PHS 06B-1DSA14
	15	49,30	45,81	A	10	23,00	25,5	20,3	34	5,31	0,20	PHS 06B-1DSA15
	16	52,30	48,82	A	10	25,00	25,5	20,3	37	5,31	0,23	PHS 06B-1DSA16
	17	55,30	51,83	A	12	27,00	25,5	20,3	40	5,31	0,27	PHS 06B-1DSA17
	18	58,30	54,85	A	12	29,00	25,5	20,3	43	5,31	0,30	PHS 06B-1DSA18
	19	61,30	57,87	A	12	31,00	25,5	20,3	46	5,31	0,35	PHS 06B-1DSA19
	20	64,30	60,89	A	12	33,00	25,5	20,3	48	5,31	0,39	PHS 06B-1DSA20
	21	68,00	63,91	A	15	35,00	25,5	20,3	52	5,31	0,44	PHS 06B-1DSA21
	22	71,00	66,93	A	15	36,00	25,5	20,3	55	5,31	0,50	PHS 06B-1DSA22
	23	73,50	69,95	A	15	38,00	25,5	20,3	59	5,31	0,55	PHS 06B-1DSA23
24	77,00	72,97	A	15	40,00	25,5	20,3	61	5,31	0,61	PHS 06B-1DSA24	
25	80,00	76,02	A	15	43,00	25,5	20,3	65	5,31	0,67	PHS 06B-1DSA25	
12,70	12	53,00	49,07	A	10	24,00	32,0	24,8	35	7,20	0,35	PHS 08B-1DSA12
	13	57,40	53,06	A	10	26,00	32,0	24,8	37	7,20	0,41	PHS 08B-1DSA13
	14	61,80	57,07	A	10	27,00	32,0	24,8	41	7,20	0,49	PHS 08B-1DSA14
	15	65,50	61,09	A	10	30,00	32,0	24,8	45	7,20	0,55	PHS 08B-1DSA15
	16	69,50	65,10	A	12	34,00	32,0	24,8	50	7,20	0,64	PHS 08B-1DSA16
	17	73,60	69,11	A	12	36,00	32,0	24,8	53	7,20	0,73	PHS 08B-1DSA17
	18	77,80	73,14	A	12	38,00	32,0	24,8	58	7,20	0,82	PHS 08B-1DSA18
	19	81,70	77,16	A	12	41,00	32,0	24,8	62	7,20	1,00	PHS 08B-1DSA19
	20	85,80	81,18	A	12	44,00	32,0	24,8	66	7,20	1,18	PHS 08B-1DSA20
	21	89,70	85,22	A	15	46,00	32,0	24,8	70	7,20	1,32	PHS 08B-1DSA21
22	93,80	89,24	A	15	48,00	32,0	24,8	74	7,20	1,36	PHS 08B-1DSA22	
23	98,20	93,27	A	15	52,00	32,0	24,8	78	7,20	1,59	PHS 08B-1DSA23	
24	101,80	97,29	A	15	54,00	32,0	24,8	82	7,20	1,70	PHS 08B-1DSA24	
25	105,80	101,33	A	15	57,00	32,0	24,8	86	7,20	1,82	PHS 08B-1DSA25	
15,88	12	68,00	61,34	A	15	30,00	42,0	27,9	45	9,10	0,59	PHS 10B-1DSA12
	13	73,00	66,32	A	15	34,00	42,0	27,9	48	9,10	0,70	PHS 10B-1DSA13
	14	78,00	71,34	A	15	36,00	42,0	27,9	55	9,10	0,83	PHS 10B-1DSA14
	15	83,00	76,36	A	15	40,00	42,0	27,9	58	9,10	0,95	PHS 10B-1DSA15
	16	88,00	81,37	A	15	42,00	42,0	27,9	64	9,10	1,09	PHS 10B-1DSA16
	17	93,00	86,39	A	15	44,00	42,0	27,9	68	9,10	1,32	PHS 10B-1DSA17
	18	98,00	91,42	A	15	47,00	42,0	27,9	73	9,10	1,50	PHS 10B-1DSA18
	19	103,30	96,45	A	19	52,00	42,0	27,9	79	9,10	1,68	PHS 10B-1DSA19
	20	108,40	101,49	A	19	57,00	42,0	27,9	83	9,10	1,91	PHS 10B-1DSA20
	21	113,40	106,52	A	19	57,00	42,0	27,9	89	9,10	2,18	PHS 10B-1DSA21
22	118,00	111,55	A	19	61,00	42,0	27,9	93	9,10	2,41	PHS 10B-1DSA22	
23	123,40	116,58	A	19	65,00	42,0	27,9	99	9,10	2,64	PHS 10B-1DSA23	
24	128,30	121,62	A	19	69,00	42,0	27,9	103	9,10	2,86	PHS 10B-1DSA24	
25	134,00	126,66	A	19	72,00	42,0	27,9	109	9,10	3,16	PHS 10B-1DSA25	
19,05	12	81,50	73,61	A	20	35,00	45,0	33,9	53	11,10	1,08	PHS 12B-1DSA12
	13	87,50	79,59	A	20	38,00	45,0	33,9	59	11,10	1,29	PHS 12B-1DSA13
	14	93,60	85,62	A	20	42,00	45,0	33,9	65	11,10	1,52	PHS 12B-1DSA14
	15	99,80	91,61	A	20	38,00	45,0	33,9	71	11,10	1,73	PHS 12B-1DSA15
	16	105,50	97,63	A	20	46,00	45,0	33,9	77	11,10	2,09	PHS 12B-1DSA16
	17	111,50	103,67	A	20	55,00	45,0	33,9	71	11,10	2,41	PHS 12B-1DSA17
	18	118,00	109,71	A	20	58,00	45,0	33,9	88	11,10	2,95	PHS 12B-1DSA18
	19	124,20	115,75	A	20	62,00	45,0	33,9	71	11,10	3,09	PHS 12B-1DSA19
	20	129,70	121,78	A	24	65,00	45,0	33,9	100	11,10	3,30	PHS 12B-1DSA20
	21	136,00	127,82	A	24	70,00	45,0	33,9	71	11,10	3,62	PHS 12B-1DSA21
22	141,80	133,86	A	24	73,00	45,0	33,9	112	11,10	4,00	PHS 12B-1DSA22	
23	149,00	139,90	A	24	77,00	45,0	33,9	71	11,10	4,60	PHS 12B-1DSA23	
24	153,90	145,94	A	24	81,00	45,0	33,9	124	11,10	4,95	PHS 12B-1DSA24	

All Type B or C sprockets, up to and including 25 tooth, are with hardened teeth as standard.  
For any additional size sprockets with hardened teeth, add "H" before the number of teeth, e.g. PHS 06B-1DSA14H.

## Metric sprockets, double simplex, pilot bore

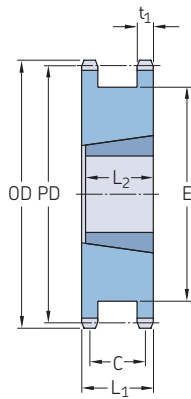
ISO 12B-1 · 19,05 mm pitch | ISO 16B-1 · 25,40 mm pitch | ISO 20B-1 · 31,75 mm pitch

Pitch	Number of teeth	Diameters		Pitch	Type	Dimensions Bore			Plate thickness $t_1$	Mass	Designation	
		Outside	PD			Min.	Max.	L				C
mm	–	mm	mm	–	mm	mm	mm	mm	mm	kg	–	
19,05	25	160,30	151,94	A	24	85,00	45,0	33,9	71	11,10	5,30	PHS 12B-1DSA25
25,40	12	109,00	98,14	A	24	46,00	64,0	47,8	72	16,20	2,48	PHS 16B-1DSA12
	13	117,00	106,12	A	24	50,00	64,0	47,8	78	16,20	3,09	PHS 16B-1DSA13
	14	125,00	114,15	A	24	57,00	64,0	47,8	84	16,20	3,70	PHS 16B-1DSA14
	15	133,00	122,17	A	24	60,00	64,0	47,8	95	16,20	4,35	PHS 16B-1DSA15
	16	141,00	130,20	A	24	68,00	64,0	47,8	101	16,20	5,00	PHS 16B-1DSA16
	17	149,00	138,22	A	24	71,00	64,0	47,8	111	16,20	5,75	PHS 16B-1DSA17
	18	157,00	146,28	A	24	79,00	64,0	47,8	117	16,20	6,50	PHS 16B-1DSA18
	19	165,20	154,33	A	24	82,00	64,0	47,8	127	16,20	7,40	PHS 16B-1DSA19
	20	173,20	162,38	A	24	88,00	64,0	47,8	134	16,20	8,30	PHS 16B-1DSA20
	21	181,20	170,43	A	24	95,00	64,0	47,8	143	16,20	9,20	PHS 16B-1DSA21
	22	189,30	178,48	A	24	100,00	64,0	47,8	151	16,20	10,15	PHS 16B-1DSA22
	23	197,50	186,59	A	24	107,00	64,0	47,8	160	16,20	11,20	PHS 16B-1DSA23
	24	205,50	194,59	A	24	111,00	64,0	47,8	168	16,20	12,80	PHS 16B-1DSA24
25	213,50	178,49	A	24	115,00	64,0	47,8	176	16,20	14,40	PHS 16B-1DSA25	
31,75	13	147,83	132,66	A	25	63,50	68,3	49,8	96	18,50	5,09	PHS 20B-1DSA13
	14	158,24	142,67	A	25	69,85	68,3	49,8	106	18,50	6,14	PHS 20B-1DSA14
	15	168,40	152,70	A	32	77,79	68,3	49,8	116	18,50	7,64	PHS 20B-1DSA15
	16	178,56	162,74	A	32	82,55	68,3	49,8	114	18,50	8,77	PHS 20B-1DSA16
	17	188,98	172,80	A	32	92,08	68,3	49,8	124	18,50	9,77	PHS 20B-1DSA17
	18	199,14	182,83	A	32	95,25	68,3	49,8	134	18,50	10,45	PHS 20B-1DSA18
	19	209,30	192,91	A	32	106,36	68,3	49,8	157	18,50	11,36	PHS 20B-1DSA19
	20	219,46	202,97	A	32	106,36	68,3	49,8	167	18,50	12,05	PHS 20B-1DSA20
	21	229,62	213,03	A	32	133,35	68,3	49,8	177	18,50	13,18	PHS 20B-1DSA21

All Type B or C sprockets, up to and including 25 tooth, are with hardened teeth as standard.  
For any additional size sprockets with hardened teeth, add "H" before the number of teeth, e.g. PHS 06B-1DSA14.

### Metric sprockets, double simplex, taper bushed

ISO 06B-1 · 9,525 mm pitch | ISO 08B-1 · 12,70 mm pitch | ISO 10B-1 · 15,88 mm pitch | ISO 12B-1 · 19,05 mm pitch | ISO 16B-1 · 25,40 mm pitch



Type A

Pitch	Number of teeth	Diameters		Type	Bushing number	Dimensions Bore		L <sub>1</sub>	C	E	L <sub>2</sub>	Plate thickness t <sub>1</sub>	Mass <sup>1)</sup>	Designation	
		Outside OD	Pitch PD			Min.	Max.								
mm	-	mm	mm	-	-	mm	mm	mm	mm	mm	mm	mm	kg	-	
9,525	18	58,30	54,85	A	1008	9	25	23,5	18,17	43	22,2	5,31	0,19	PHS 06B-1DSTBH18	
	19	61,30	57,87	A	1008	9	25	23,5	18,17	46	22,2	5,31	0,23	PHS 06B-1DSTBH19	
	20	64,30	60,89	A	1108	9	28	23,5	18,17	48	22,2	5,31	0,25	PHS 06B-1DSTBH20	
	21	68,00	63,91	A	1108	9	28	23,5	18,17	52	22,2	5,31	0,31	PHS 06B-1DSTBH21	
	22	71,00	66,93	A	1108	9	28	23,5	18,17	55	22,2	5,31	0,36	PHS 06B-1DSTBH22	
	23	73,50	69,95	A	1108	9	28	23,5	18,17	58	22,2	5,31	0,41	PHS 06B-1DSTBH23	
	24	77,00	72,97	A	1108	9	28	23,5	18,17	61	22,2	5,31	0,47	PHS 06B-1DSTBH24	
	25	80,00	76,02	A	1108	9	28	23,5	18,17	64	22,2	5,31	0,53	PHS 06B-1DSTBH25	
	12,70	14	61,80	57,07	A	1008	9	25	35,7	28,58	41	22,2	7,20	0,32	PHS 08B-1DSTBH14
		15	65,30	61,09	A	1008	9	25	35,7	28,58	45	22,2	7,20	0,40	PHS 08B-1DSTBH15
16		69,50	65,10	A	1108	9	28	35,7	28,58	49	22,2	7,20	0,44	PHS 08B-1DSTBH16	
17		73,60	69,11	A	1215	11	32	35,7	28,58	53	38,1	7,20	0,43	PHS 08B-1DSTBH17	
18		77,80	73,14	A	1215	11	32	35,7	28,58	58	38,1	7,20	0,46	PHS 08B-1DSTBH18	
19		81,70	77,15	A	1215	11	32	35,7	28,58	63	38,1	7,20	0,50	PHS 08B-1DSTBH19	
20		85,80	81,18	A	1215	11	32	35,7	28,58	66	38,1	7,20	0,59	PHS 08B-1DSTBH20	
21		89,70	85,22	A	1615	14	42	35,7	28,58	70	38,1	7,20	0,59	PHS 08B-1DSTBH21	
22		93,80	89,24	A	1615	14	42	35,7	28,58	74	38,1	7,20	0,64	PHS 08B-1DSTBH22	
23		98,20	93,27	A	1615	14	42	35,7	28,58	78	38,1	7,20	0,68	PHS 08B-1DSTBH23	
24	101,80	97,29	A	1615	14	42	35,7	28,58	82	38,1	7,20	0,77	PHS 08B-1DSTBH24		
	105,80	101,33	A	2012	14	50	35,7	28,58	86	31,8	7,20	0,86	PHS 08B-1DSTBH25		
15,88	12	68,00	61,34	A	1108	9	28	42,0	33,34	15,88	9,0	9,10	28,00	PHS 10B-1DSTBH12	
	13	73,00	66,32	A	1108	9	28	42,0	33,34	15,88	9,0	9,10	28,00	PHS 10B-1DSTBH13	
	14	78,00	71,34	A	1108	9	28	42,0	33,34	15,88	9,0	9,10	28,00	PHS 10B-1DSTBH14	
	15	83,00	76,36	A	1215	11	32	42,0	33,34	15,88	11,0	9,10	32,00	PHS 10B-1DSTBH15	
	16	88,00	81,37	A	1215	11	32	42,0	33,34	15,88	11,0	9,10	32,00	PHS 10B-1DSTBH16	
	17	93,00	86,39	A	1615	14	42	42,0	33,34	15,88	14,0	9,10	42,00	PHS 10B-1DSTBH17	
	18	98,30	91,42	A	1615	14	42	42,0	33,34	15,88	14,0	9,10	42,00	PHS 10B-1DSTBH18	
	19	103,30	96,42	A	1615	14	42	42,0	33,34	15,88	14,0	9,10	42,00	PHS 10B-1DSTBH19	
	20	108,40	101,49	A	1615	14	42	42,0	33,34	15,88	14,0	9,10	42,00	PHS 10B-1DSTBH20	
	21	113,40	106,52	A	2012	14	50	42,0	33,34	15,88	14,0	9,10	50,00	PHS 10B-1DSTBH21	
22	118,00	111,55	A	2012	14	50	42,0	33,34	15,88	14,0	9,10	50,00	PHS 10B-1DSTBH22		
	123,40	116,58	A	2012	14	50	42,0	33,34	15,88	14,0	9,10	50,00	PHS 10B-1DSTBH23		
	128,30	121,62	A	2012	14	50	42,0	33,34	15,88	14,0	9,10	50,00	PHS 10B-1DSTBH24		
	134,00	126,66	A	2012	14	50	42,0	33,34	15,88	14,0	9,10	50,00	PHS 10B-1DSTBH25		
	19,05	12	81,50	73,61	A	1215	11	32	49,2	38,10	19,05	11,0	11,10	32,00	PHS 12B-1DSTBH12
13		87,50	79,59	A	1215	11	32	49,2	38,10	19,05	11,0	11,10	32,00	PHS 12B-1DSTBH13	
14		93,60	85,62	A	1215	11	32	49,2	38,10	19,05	11,0	11,10	32,00	PHS 12B-1DSTBH14	
15		99,80	91,61	A	1615	14	42	49,2	38,10	19,05	14,0	11,10	42,00	PHS 12B-1DSTBH15	
16		105,50	97,63	A	1615	14	42	49,2	38,10	19,05	14,0	11,10	42,00	PHS 12B-1DSTBH16	
17		111,50	103,67	A	1615	14	42	49,2	38,10	19,05	14,0	11,10	42,00	PHS 12B-1DSTBH17	
18		118,00	109,71	A	2012	14	50	49,2	38,10	19,05	14,0	11,10	50,00	PHS 12B-1DSTBH18	
19		124,20	115,75	A	2012	14	50	49,2	38,10	19,05	14,0	11,10	50,00	PHS 12B-1DSTBH19	
20		129,70	121,78	A	2517	16	65	49,2	38,10	19,05	16,0	11,10	65,00	PHS 12B-1DSTBH20	
21		136,00	127,82	A	2517	16	65	49,2	38,10	19,05	16,0	11,10	65,00	PHS 12B-1DSTBH21	
22	141,80	133,86	A	2517	16	65	49,2	38,10	19,05	16,0	11,10	65,00	PHS 12B-1DSTBH22		
	149,00	139,90	A	2517	16	65	49,2	38,10	19,05	16,0	11,10	65,00	PHS 12B-1DSTBH23		
	153,90	145,94	A	2517	16	65	49,2	38,10	19,05	16,0	11,10	65,00	PHS 12B-1DSTBH24		
	160,30	151,94	A	2517	16	65	49,2	38,10	19,05	16,0	11,10	65,00	PHS 12B-1DSTBH25		
	25,40	12	109,00	98,14	A	1615	14	42	63,5	46,50	72	38,1	16,20	1,92	PHS 16B-1DSTBH12
13		117,00	106,12	A	1615	14	42	63,5	46,50	80	38,1	16,20	2,53	PHS 16B-1DSTBH13	
14		125,00	114,15	A	2012	14	50	63,5	46,50	88	31,8	16,20	2,53	PHS 16B-1DSTBH14	
15		133,00	122,17	A	2012	14	50	63,5	46,50	96	31,8	16,20	3,10	PHS 16B-1DSTBH15	
16		141,00	130,20	A	2012	14	50	63,5	46,50	104	31,8	16,20	3,68	PHS 16B-1DSTBH16	

<sup>1)</sup> Mass for rim only

All Type B or C sprockets, up to and including 25 tooth, are with hardened teeth as standard.  
For any additional size sprockets with hardened teeth, add "H" before the number of teeth, e.g. PHS 06B-1DSTBH18.

## Metric sprockets, double simplex, taper bushed

ISO 16B-1 · 25,40 mm pitch | ISO 20B-1 · 31,75 mm pitch

Pitch	Number of teeth	Diameters		Type	Bushing number	Dimensions Bore		L <sub>1</sub>	C	E	L <sub>2</sub>	Plate thickness t <sub>1</sub>	Mass <sup>1)</sup>	Designation
		Outside OD	Pitch PD			Min.	Max.							
mm	–	mm	–	–	–	mm	–	–	–	–	–	–	kg	–
25,40	17	149,00	138,22	A	2517	16	65	63,5	46,50	112	44,5	16,20	3,89	PHS 16B-1DSTBH17
	18	157,00	146,28	A	2517	16	65	63,5	46,50	120	44,5	16,20	4,65	PHS 16B-1DSTBH18
	19	165,20	154,33	A	3020	25	75	63,5	46,50	128	50,8	16,20	4,50	PHS 16B-1DSTBH19
	20	173,20	162,38	A	3020	25	75	63,5	46,50	135	50,8	16,20	5,10	PHS 16B-1DSTBH20
	21	181,20	170,43	A	3020	25	75	63,5	46,50	142	50,8	16,20	6,00	PHS 16B-1DSTBH21
	22	189,30	178,48	A	3020	25	75	63,5	46,50	151	50,8	16,20	6,20	PHS 16B-1DSTBH22
	23	197,50	186,59	A	3525	35	90	63,5	46,50	160	63,5	16,20	7,15	PHS 16B-1DSTBH23
	24	205,50	194,59	A	3525	35	90	63,5	46,50	167	63,5	16,20	8,10	PHS 16B-1DSTBH24
	25	213,50	178,49	A	3525	35	90	63,5	46,50	175	63,5	16,20	9,00	PHS 16B-1DSTBH25
	31,75	15	167,90	152,72	A	2517	16	60	68,3	49,80	115	44,5	18,50	4,20
16		177,90	162,75	A	2517	16	60	68,3	49,80	127	44,5	18,50	5,91	PHS 20B-1DSTBH16
17		172,80	172,78	A	3020	25	75	68,3	49,80	137	50,8	18,50	6,36	PHS 20B-1DSTBH17
18		182,83	182,85	A	3020	25	75	68,3	49,80	147	50,8	18,50	7,27	PHS 20B-1DSTBH18
19		192,91	192,91	A	3020	25	75	68,3	49,80	157	50,8	18,50	9,09	PHS 20B-1DSTBH19
20		218,10	202,98	A	3020	25	75	68,3	49,80	167	50,8	18,50	10,85	PHS 20B-1DSTBH20
21		228,28	213,03	A	3020	25	75	68,3	49,80	177	50,8	18,50	12,50	PHS 20B-1DSTBH21

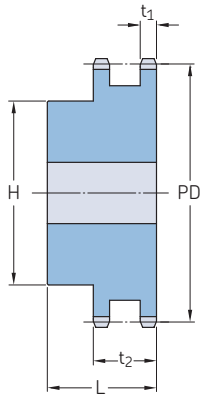
<sup>1)</sup> Mass for rim only

All Type B or C sprockets, up to and including 25 tooth, are with hardened teeth as standard.

For any additional size sprockets with hardened teeth, add "H" before the number of teeth, e.g. PHS 06B-1DSTBH18.

**Metric sprockets, duplex, standard**

ISO 06B-2 · 9,525 mm pitch | ISO 08B-2 · 12,70 mm pitch



Type B

Pitch	Number of teeth	Pitch diameter PD	Type	Dimensions Bore		Hub		Plate thickness		Mass	Designation
				Min.	Max.	H	L	t <sub>1</sub>	t <sub>2</sub>		
mm	-	mm	-	mm						kg	-
9,525	12	36,80	B	10	12	25	25	5,20	15,44	0,11	PHS 06B-2BH12
	13	39,79	B	10	12	28	25	5,20	15,44	0,14	PHS 06B-2BH13
	14	42,80	B	10	18	31	25	5,20	15,44	0,17	PHS 06B-2BH14
	15	45,81	B	10	18	34	25	5,20	15,44	0,20	PHS 06B-2BH15
	16	48,82	B	12	20	37	30	5,20	15,44	0,26	PHS 06B-2BH16
	17	51,83	B	12	23	40	30	5,20	15,44	0,32	PHS 06B-2BH17
	18	54,85	B	12	25	43	30	5,20	15,44	0,37	PHS 06B-2BH18
	19	57,87	B	12	28	46	30	5,20	15,44	0,42	PHS 06B-2BH19
	20	60,89	B	12	25	49	30	5,20	15,44	0,48	PHS 06B-2BH20
	21	63,91	B	12	30	52	30	5,20	15,44	0,54	PHS 06B-2BH21
	22	66,93	B	12	28	55	30	5,20	15,44	0,61	PHS 06B-2BH22
	23	69,95	B	12	35	58	30	5,20	15,44	0,67	PHS 06B-2BH23
	24	72,97	B	12	32	61	30	5,20	15,44	0,74	PHS 06B-2BH24
	25	76,00	B	12	40	64	30	5,20	15,44	0,81	PHS 06B-2BH25
	26	79,02	B	12	32	67	30	5,20	15,44	0,92	PHS 06B-2BH26
	27	82,05	B	12	40	70	30	5,20	15,44	0,97	PHS 06B-2BH27
	28	85,07	B	12	32	73	30	5,20	15,44	1,08	PHS 06B-2BH28
	29	88,09	B	12	32	76	30	5,20	15,44	1,15	PHS 06B-2BH29
	30	91,12	B	12	40	79	30	5,20	15,44	1,23	PHS 06B-2BH30
	32	97,17	B	16	52	80	30	5,20	15,44	1,38	PHS 06B-2BH32
	35	106,26	B	16	52	80	30	5,20	15,44	1,61	PHS 06B-2BH35
	36	109,29	B	16	60	90	30	5,20	15,44	1,69	PHS 06B-2BH36
	38	115,35	B	16	50	90	30	5,20	15,44	1,84	PHS 06B-2BH38
	40	121,40	B	16	52	90	30	5,20	15,44	2,00	PHS 06B-2BH40
	42	127,46	B	16	60	90	40	5,20	15,44	2,15	PHS 06B-2BH42
	45	136,55	B	16	50	90	40	5,20	15,44	2,01	PHS 06B-2BH45
	48	145,64	B	16	60	90	40	5,20	15,44	2,61	PHS 06B-2BH48
	52	157,75	B	16	60	90	40	5,20	15,44	2,92	PHS 06B-2BH52
	57	172,91	B	16	50	90	40	5,20	15,44	2,34	PHS 06B-2BH57
	60	182,00	B	16	60	90	40	5,20	15,44	3,53	PHS 06B-2BH60
	68	206,24	B	16	60	90	40	5,20	15,44	4,14	PHS 06B-2BH68
	70	212,30	B	16	60	90	40	5,20	15,44	4,30	PHS 06B-2BH70
72	218,37	B	16	60	90	40	5,20	15,44	4,45	PHS 06B-2BH72	
76	230,49	B	16	50	90	40	5,20	15,44	3,35	PHS 06B-2BH76	
84	254,74	B	16	60	90	40	5,20	15,44	5,37	PHS 06B-2BH84	
95	288,08	B	16	62	90	40	5,20	15,44	6,21	PHS 06B-2BH95	
96	291,11	B	16	62	90	40	5,20	15,44	6,29	PHS 06B-2BH96	
114	345,68	B	16	62	90	40	5,20	15,44	7,67	PHS 06B-2BH114	
12,70	10	41,10	B	10	18	28	32	7,24	21,13	0,15	PHS 08B-2BH10
	11	45,07	B	12	21	32	35	7,24	21,13	0,22	PHS 08B-2BH11
	12	49,07	B	12	19	35	35	7,24	21,13	0,29	PHS 08B-2BH12
	13	53,06	B	12	21	38	35	7,24	21,13	0,36	PHS 08B-2BH13
	14	57,07	B	12	28	42	35	7,24	21,13	0,44	PHS 08B-2BH14
	15	61,09	B	12	28	46	35	7,24	21,13	0,52	PHS 08B-2BH15
	16	65,10	B	14	33	50	35	7,24	21,13	0,61	PHS 08B-2BH16
	17	69,11	B	14	30	54	35	7,24	21,13	0,70	PHS 08B-2BH17
	18	73,14	B	14	38	58	35	7,24	21,13	0,81	PHS 08B-2BH18
	19	77,16	B	14	40	62	35	7,24	21,13	0,91	PHS 08B-2BH19
	20	81,19	B	14	40	66	35	7,24	21,13	1,10	PHS 08B-2BH20
	21	85,22	B	16	40	70	40	7,24	21,13	1,29	PHS 08B-2BH21
	22	89,24	B	16	45	70	40	7,24	21,13	1,37	PHS 08B-2BH22
	23	93,27	B	16	50	70	40	7,24	21,13	1,46	PHS 08B-2BH23
	24	97,29	B	16	50	75	40	7,24	21,13	1,64	PHS 08B-2BH24

Maximum bores can accommodate standard keyways. Larger bores are available.  
 All Type B or C sprockets, up to and including 25 tooth, are with hardened teeth as standard.  
 For any additional size sprockets with hardened teeth, add "H" before the number of teeth, e.g. PHS 06B-2BH12.



# Metric sprockets, duplex, standard

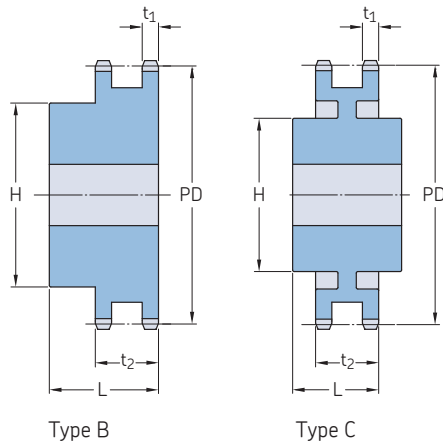
ISO 08B-2 · 12,70 mm pitch | ISO 10B-2 · 15,88 mm pitch | ISO 12B-2 · 19,05 mm pitch

Pitch	Number of teeth	Pitch diameter PD	Type	Dimensions		Hub		Plate thickness		Mass	Designation	
				Bore		H	L	t <sub>1</sub>	t <sub>2</sub>			
				Min.	Max.							
mm	-	mm	-	mm					kg	-		
12,70	25	101,33	B	16	50	80	40	7,24	21,13	1,83	PHS 08B-2BH25	
	26	105,36	B	16	56	85	40	7,24	21,13	1,96	PHS 08B-2B26	
	27	109,40	B	16	50	85	40	7,24	21,13	2,09	PHS 08B-2B27	
	28	113,42	B	16	60	90	40	7,24	21,13	2,31	PHS 08B-2B28	
	29	117,46	B	16	62	95	40	7,24	21,13	2,53	PHS 08B-2B29	
	30	121,50	B	16	50	100	40	7,24	21,13	2,75	PHS 08B-2B30	
	32	129,56	B	20	64	100	40	7,24	21,13	3,08	PHS 08B-2B32	
	34	137,64	B	20	64	100	40	7,24	21,13	3,24	PHS 08B-2B34	
	35	141,68	B	20	64	100	40	7,24	21,13	3,41	PHS 08B-2B35	
	36	145,72	B	20	73	100	40	7,24	21,13	3,74	PHS 08B-2B36	
	38	153,80	B	20	55	100	40	7,24	21,13	4,08	PHS 08B-2B38	
	40	161,87	B	20	73	100	50	7,24	21,13	4,00	PHS 08B-2B40	
	42	169,95	B	20	73	108	50	7,24	21,13	3,90	PHS 08B-2B42	
	45	182,07	B	20	55	108	50	7,24	21,13	3,70	PHS 08B-2B45	
	48	194,18	B	20	73	108	50	7,24	21,13	4,10	PHS 08B-2B48	
	54	218,43	B	20	73	108	50	7,24	21,13	4,70	PHS 08B-2B54	
	57	230,54	B	20	55	108	50	7,24	21,13	5,01	PHS 08B-2B57	
	60	242,66	B	20	73	108	50	7,24	21,13	5,34	PHS 08B-2B60	
	68	274,99	B	20	73	108	55	7,24	21,13	5,68	PHS 08B-2B68	
	72	291,16	B	20	73	108	55	7,24	21,13	6,02	PHS 08B-2B72	
	76	307,33	B	20	60	108	55	7,24	21,13	6,36	PHS 08B-2B76	
	84	339,65	B	20	80	120	55	7,24	21,13	8,31	PHS 08B-2B84	
	95	384,10	B	20	60	110	55	7,24	21,13	10,26	PHS 08B-2B95	
	96	388,15	B	20	80	110	55	7,24	21,13	11,00	PHS 08B-2B96	
	114	460,90	B	20	80	110	55	7,24	21,13	12,45	PHS 08B-2B114	
	15,88	11	56,34	B	14	24	39	40	8,97	25,55	0,45	PHS 10B-2BH11
		12	61,34	B	14	25	44	40	8,97	25,55	0,57	PHS 10B-2BH12
		13	66,32	B	14	29	49	40	8,97	25,55	0,70	PHS 10B-2BH13
		14	71,34	B	14	35	54	40	8,97	25,55	0,84	PHS 10B-2BH14
		15	76,36	B	14	35	59	40	8,97	25,55	0,99	PHS 10B-2BH15
		16	81,37	B	16	40	64	45	8,97	25,55	1,23	PHS 10B-2BH16
		17	86,39	B	16	40	69	45	8,97	25,55	1,47	PHS 10B-2BH17
		18	91,42	B	16	48	74	45	8,97	25,55	1,68	PHS 10B-2BH18
		19	96,45	B	16	46	79	45	8,97	25,55	1,90	PHS 10B-2BH19
		20	101,49	B	16	56	84	45	8,97	25,55	2,10	PHS 10B-2BH20
		21	106,52	B	16	55	85	45	8,97	25,55	2,31	PHS 10B-2BH21
		22	111,55	B	16	60	90	45	8,97	25,55	2,58	PHS 10B-2BH22
		23	116,58	B	16	55	95	45	8,97	25,55	2,85	PHS 10B-2BH23
		24	121,62	B	16	64	100	45	8,97	25,55	3,14	PHS 10B-2BH24
25		126,66	B	16	55	105	45	8,97	25,55	3,44	PHS 10B-2BH25	
26		131,70	B	20	73	110	45	8,97	25,55	3,69	PHS 10B-2B26	
27		136,75	B	20	55	110	45	8,97	25,55	3,95	PHS 10B-2B27	
28		141,78	B	20	76	115	45	8,97	25,55	4,25	PHS 10B-2B28	
29		146,83	B	20	76	115	45	8,97	25,55	4,55	PHS 10B-2B29	
30		151,87	B	20	58	120	45	8,97	25,55	4,87	PHS 10B-2B30	
32		161,95	B	20	80	120	45	8,97	25,55	4,95	PHS 10B-2B32	
35		177,10	B	20	80	120	45	8,97	25,55	5,08	PHS 10B-2B35	
36		182,15	B	20	80	120	45	8,97	25,55	5,11	PHS 10B-2B36	
38		192,24	B	20	58	120	45	8,97	25,55	5,20	PHS 10B-2B38	
40		202,34	B	20	80	120	45	8,97	25,55	5,41	PHS 10B-2B40	
45		227,58	B	20	60	120	50	8,97	25,55	5,94	PHS 10B-2B45	
48		242,73	B	20	80	120	50	8,97	25,55	7,27	PHS 10B-2B48	
57		288,18	B	20	60	120	50	8,97	25,55	8,61	PHS 10B-2B57	
60		303,32	B	20	85	120	57	8,97	25,55	9,30	PHS 10B-2B60	
70		353,84	B	20	85	120	57	8,97	25,55	9,99	PHS 10B-2B70	
76		384,16	B	20	85	120	57	8,97	25,55	10,68	PHS 10B-2B76	
80		404,35	B	20	85	130	58	8,97	25,55	11,00	PHS 10B-2B80	
95		480,14	B	20	85	130	58	8,97	25,55	12,00	PHS 10B-2B95	
114		576,13	B	20	85	130	58	8,97	25,55	13,00	PHS 10B-2B114	
19,05		10	61,65	B	12	32	42	45	10,87	30,33	0,57	PHS 12B-2BH10
		11	67,61	B	16	32	47	50	10,87	30,33	0,80	PHS 12B-2BH11
		12	73,61	B	16	32	53	50	10,87	30,33	1,03	PHS 12B-2BH12
		13	79,59	B	16	36	59	50	10,87	30,33	1,26	PHS 12B-2BH13
		14	85,61	B	16	42	65	50	10,87	30,33	1,52	PHS 12B-2BH14
	15	91,63	B	16	44	71	50	10,87	30,33	1,78	PHS 12B-2BH15	
	16	97,65	B	20	51	77	50	10,87	30,33	2,08	PHS 12B-2BH16	
	17	103,67	B	20	55	83	50	10,87	30,33	2,37	PHS 12B-2BH17	
	18	109,71	B	20	60	89	50	10,87	30,33	2,72	PHS 12B-2BH18	
	19	115,75	B	20	55	95	50	10,87	30,33	3,07	PHS 12B-2BH19	
	20	121,78	B	20	64	100	50	10,87	30,33	3,39	PHS 12B-2BH20	
	21	127,82	B	20	60	100	50	10,87	30,33	3,70	PHS 12B-2BH21	
	22	133,86	B	20	64	100	50	10,87	30,33	4,11	PHS 12B-2BH22	
	23	139,90	B	20	60	110	50	10,87	30,33	4,52	PHS 12B-2BH23	
	24	145,94	B	20	73	110	50	10,87	30,33	4,96	PHS 12B-2BH24	

Maximum bores can accommodate standard keyways. Larger bores are available.  
 All Type B or C sprockets, up to and including 25 tooth, are with hardened teeth as standard.  
 For any additional size sprockets with hardened teeth, add "H" before the number of teeth, e.g. PHS 06B-2BH12.

**Metric sprockets, duplex, standard**

ISO 12B-2 · 19,05 mm pitch | ISO 16B-2 · 25,40 mm pitch



Pitch	Number of teeth	Pitch diameter PD	Type	Dimensions Bore		Hub		Plate thickness		Mass	Designation
				Min.	Max.	H	L	t <sub>1</sub>	t <sub>2</sub>		
mm	-	mm	-	mm						kg	-
19,05	25	152,00	B	20	60	120	50	10,87	30,33	5,39	PHS 12B-2BH25
	26	158,04	B	20	80	120	50	10,87	30,33	5,74	PHS 12B-2B26
	27	164,09	B	20	60	120	50	10,87	30,33	6,09	PHS 12B-2B27
	28	170,13	B	20	80	120	50	10,87	30,33	6,45	PHS 12B-2B28
	30	182,25	B	20	60	120	50	10,87	30,33	7,17	PHS 12B-2B30
	32	194,36	B	20	85	120	50	10,87	30,33	8,41	PHS 12B-2B32
	35	212,52	B	20	85	120	50	10,87	30,33	9,70	PHS 12B-2B35
	36	218,58	B	25	85	120	50	10,87	30,33	10,12	PHS 12B-2B36
	38	230,69	B	25	65	120	50	10,87	30,33	10,98	PHS 12B-2B38
	40	242,81	B	25	85	120	50	10,87	30,33	11,84	PHS 12B-2B40
	45	273,10	B	25	65	136	62	10,87	30,33	10,58	PHS 12B-2B45
	48	291,27	B	25	85	136	62	10,87	30,33	15,26	PHS 12B-2B48
	57	345,81	B	25	70	136	62	10,87	30,33	11,72	PHS 12B-2B57
	60	363,99	B	25	85	136	62	10,87	30,33	20,40	PHS 12B-2B60
	68	412,49	C	25	85	140	63	10,87	30,33	23,83	PHS 12B-2C68
	76	460,99	C	25	80	140	63	10,87	30,33	18,50	PHS 12B-2C76
	80	485,22	C	25	85	140	63	10,87	30,33	28,97	PHS 12B-2C80
	95	576,17	C	25	93	140	63	10,87	30,33	35,39	PHS 12B-2C95
	96	582,23	C	25	93	140	63	10,87	30,33	35,82	PHS 12B-2C96
	114	691,36	C	25	93	140	63	10,87	30,33	43,53	PHS 12B-2C114
25,40	11	90,14	B	20	42	64	70	15,83	47,71	1,86	PHS 16B-2BH11
	12	98,14	B	20	45	72	70	15,83	47,71	2,54	PHS 16B-2BH12
	13	106,12	B	20	48	80	70	15,83	47,71	3,22	PHS 16B-2BH13
	14	114,15	B	20	53	88	70	15,83	47,71	3,90	PHS 16B-2BH14
	15	122,17	B	20	58	96	70	15,83	47,71	4,58	PHS 16B-2BH15
	16	130,20	B	20	66	104	70	15,83	47,71	5,35	PHS 16B-2BH16
	17	138,22	B	20	70	112	70	15,83	47,71	6,12	PHS 16B-2BH17
	18	146,28	B	20	80	120	70	15,83	47,71	7,02	PHS 16B-2BH18
	19	154,33	B	20	70	128	70	15,83	47,71	7,91	PHS 16B-2BH19
	20	162,38	B	20	85	130	70	15,83	47,71	8,59	PHS 16B-2BH20
	21	170,43	B	25	75	130	70	15,83	47,71	9,26	PHS 16B-2BH21
	22	178,48	B	25	85	130	70	15,83	47,71	10,05	PHS 16B-2BH22
	23	186,53	B	25	75	130	70	15,83	47,71	10,84	PHS 16B-2BH23
	24	194,59	B	25	85	130	70	15,83	47,71	11,70	PHS 16B-2BH24
	25	202,66	B	25	75	130	70	15,83	47,71	12,56	PHS 16B-2BH25
	26	210,72	B	25	85	130	70	15,83	47,71	13,52	PHS 16B-2B26
	27	218,79	B	25	75	130	70	15,83	47,71	14,48	PHS 16B-2B27
	28	226,85	B	25	85	130	70	15,83	47,71	15,49	PHS 16B-2B28
	29	234,92	B	25	85	130	70	15,83	47,71	16,51	PHS 16B-2B29
	30	243,00	B	25	75	130	70	15,83	47,71	17,52	PHS 16B-2B30
	32	259,13	B	25	95	140	70	15,83	47,71	20,13	PHS 16B-2B32
	35	283,36	B	25	95	140	70	15,83	47,71	24,04	PHS 16B-2B35
	36	291,44	B	25	95	140	70	15,83	47,71	25,34	PHS 16B-2B36
	38	307,59	B	25	75	140	70	15,83	47,71	27,95	PHS 16B-2B38
	42	339,90	B	25	95	140	70	15,83	47,71	32,35	PHS 16B-2B42
	45	364,13	C	25	85	140	70	15,83	47,71	22,00	PHS 16B-2C45
	57	461,07	C	25	85	150	85	15,83	47,71	34,50	PHS 16B-2C57
	60	485,32	C	25	95	150	85	15,83	47,71	52,14	PHS 16B-2C60
	68	549,98	C	25	96	160	90	15,83	47,71	60,93	PHS 16B-2C68
	76	614,65	C	25	100	160	90	15,83	47,71	51,50	PHS 16B-2C76
	80	646,96	C	25	102	160	90	15,83	47,71	74,13	PHS 16B-2C80
	95	768,22	C	25	100	160	90	15,83	47,71	90,62	PHS 16B-2C95
114	921,81	C	25	102	160	90	15,83	47,71	111,51	PHS 16B-2C114	

Maximum bores can accommodate standard keyways. Larger bores are available.  
 All Type B or C sprockets, up to and including 25 tooth, are with hardened teeth as standard.  
 For any additional size sprockets with hardened teeth, add "H" before the number of teeth, e.g. PHS 06B-2BH12.

# Metric sprockets, duplex, standard

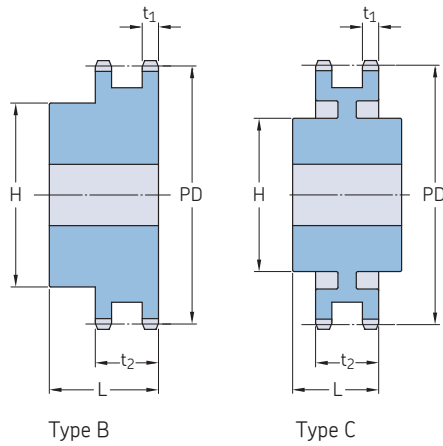
ISO 20B-2 · 31,75 mm pitch | ISO 24B-2 · 38,10 mm pitch | ISO 28B-2 · 44,45 mm pitch

Pitch	Number of teeth	Pitch diameter PD	Type	Dimensions		Hub		Plate thickness		Mass	Designation	
				Bore		H	L	t <sub>1</sub>	t <sub>2</sub>			
				Min.	Max.							
mm	-	mm	-	mm					kg	-		
31,75	10	102,75	B	20	45	70	75	18,19	54,64	2,90	PHS 20B-2BH10	
	11	112,70	B	20	52	80	80	18,19	54,64	3,67	PHS 20B-2BH11	
	12	122,67	B	20	60	90	80	18,19	54,64	4,31	PHS 20B-2BH12	
	13	132,67	B	20	64	100	80	18,19	54,64	5,53	PHS 20B-2BH13	
	14	142,68	B	20	73	110	80	18,19	54,64	6,62	PHS 20B-2BH14	
	15	152,71	B	20	80	120	80	18,19	54,64	7,76	PHS 20B-2BH15	
	16	162,75	B	25	80	120	80	18,19	54,64	9,12	PHS 20B-2BH16	
	17	172,79	B	25	80	120	80	18,19	54,64	10,44	PHS 20B-2BH17	
	18	182,84	B	25	80	120	80	18,19	54,64	11,71	PHS 20B-2BH18	
	19	192,90	B	25	80	120	80	18,19	54,64	12,92	PHS 20B-2BH19	
	20	202,96	B	25	80	120	80	18,19	54,64	15,43	PHS 20B-2BH20	
	21	213,03	B	25	92	140	80	18,19	54,64	16,55	PHS 20B-2BH21	
	22	223,10	B	25	92	140	80	18,19	54,64	17,70	PHS 20B-2BH22	
	23	233,17	B	25	92	140	80	18,19	54,64	19,05	PHS 20B-2BH23	
	24	243,25	B	25	96	140	80	18,19	54,64	20,43	PHS 20B-2BH24	
	25	253,32	B	25	96	140	80	18,19	54,64	21,77	PHS 20B-2BH25	
	26	263,41	B	25	96	150	80	18,19	54,64	23,15	PHS 20B-2BH26	
	27	273,49	B	25	96	150	80	18,19	54,64	24,97	PHS 20B-2BH27	
	28	283,57	B	25	96	150	80	18,19	54,64	26,78	PHS 20B-2BH28	
	30	303,75	B	25	96	150	80	18,19	54,64	30,41	PHS 20B-2B30	
	32	323,92	B	25	96	150	80	18,19	54,64	32,22	PHS 20B-2B32	
	35	354,20	C	25	100	150	80	18,19	54,64	34,02	PHS 20B-2C35	
	36	364,29	C	30	100	150	80	18,19	54,64	34,70	PHS 20B-2C36	
	38	384,48	C	30	100	150	80	18,19	54,64	43,72	PHS 20B-2C38	
	42	424,86	C	30	100	160	90	18,19	54,64	43,55	PHS 20B-2C42	
	45	455,15	C	30	100	160	90	18,19	54,64	46,72	PHS 20B-2C45	
	57	576,35	C	30	100	160	100	18,19	54,64	64,10	PHS 20B-2C57	
	60	606,66	C	30	125	160	100	18,19	54,64	79,38	PHS 20B-2C60	
	68	687,48	C	30	125	180	100	18,19	54,64	87,74	PHS 20B-2C68	
	76	768,30	C	30	125	180	100	18,19	54,64	96,11	PHS 20B-2C76	
	80	808,71	C	30	125	180	100	18,19	54,64	100,30	PHS 20B-2C80	
	95	960,28	C	30	125	180	100	18,19	54,64	115,98	PHS 20B-2C95	
	114	1 152,26	C	30	125	180	100	18,19	54,64	135,85	PHS 20B-2C114	
	38,10	11	135,23	B	25	60	90	100	23,62	71,98	6,50	PHS 24B-2BH11
		12	147,21	B	25	67	102	100	23,62	71,98	8,13	PHS 24B-2BH12
		13	159,20	B	25	76	114	100	23,62	71,98	9,92	PHS 24B-2BH13
		14	171,22	B	25	84	128	100	23,62	71,98	11,98	PHS 24B-2BH14
		15	183,25	B	25	93	132	100	23,62	71,98	14,13	PHS 24B-2BH15
		16	195,29	B	25	100	136	100	23,62	71,98	16,35	PHS 24B-2BH16
		17	207,35	B	25	100	136	100	23,62	71,98	17,85	PHS 24B-2BH17
		18	219,41	B	25	108	150	100	23,62	71,98	20,35	PHS 24B-2BH18
		19	231,48	B	25	108	160	100	23,62	71,98	22,56	PHS 24B-2BH19
20		243,55	B	25	108	160	100	23,62	71,98	24,78	PHS 24B-2BH20	
21		255,63	B	25	108	160	100	23,62	71,98	26,99	PHS 24B-2BH21	
22		267,72	B	25	108	160	100	23,62	71,98	29,74	PHS 24B-2BH22	
23		279,80	B	25	108	160	100	23,62	71,98	32,87	PHS 24B-2BH23	
24		291,90	B	25	108	160	100	23,62	71,98	36,00	PHS 24B-2BH24	
25		303,99	B	25	108	160	100	23,62	71,98	39,13	PHS 24B-2BH25	
26		316,09	B	30	108	160	100	23,62	71,98	42,26	PHS 24B-2B26	
27		328,19	B	30	108	160	100	23,62	71,98	45,40	PHS 24B-2B27	
28		340,29	B	30	108	160	100	23,62	71,98	48,53	PHS 24B-2B28	
29		352,39	B	30	108	160	100	23,62	71,98	51,66	PHS 24B-2B29	
30		364,49	B	30	108	160	100	23,62	71,98	54,79	PHS 24B-2B30	
32		388,71	B	30	108	160	100	23,62	71,98	61,05	PHS 24B-2B32	
38		461,37	B	30	137	160	100	23,62	71,98	72,01	PHS 24B-2B38	
40		485,60	C	30	137	160	100	23,62	71,98	75,80	PHS 24B-2C40	
42		509,83	C	30	137	180	100	23,62	71,98	79,59	PHS 24B-2C42	
45		546,19	C	30	137	180	100	23,62	71,98	85,28	PHS 24B-2C45	
48		582,54	C	30	137	180	100	23,62	71,98	90,97	PHS 24B-2C48	
50		606,78	C	30	137	180	100	23,62	71,98	94,76	PHS 24B-2C50	
54		655,26	C	30	161	180	110	23,62	71,98	127,46	PHS 24B-2C54	
57		691,62	C	30	161	180	110	23,62	71,98	140,74	PHS 24B-2C57	
60		727,99	C	30	161	180	120	23,62	71,98	154,02	PHS 24B-2C60	
68		824,97	C	30	161	200	120	23,62	71,98	189,45	PHS 24B-2C68	
72		873,46	C	30	161	200	120	23,62	71,98	207,16	PHS 24B-2C72	
76		921,96	C	30	161	200	120	23,62	71,98	224,87	PHS 24B-2C76	
95		1 152,33	C	30	161	200	120	23,62	71,98	309,00	PHS 24B-2C95	
96		1 164,46	C	30	161	200	120	23,62	71,98	313,43	PHS 24B-2C96	
114		1 382,72	C	30	161	200	120	23,62	71,98	393,13	PHS 24B-2C114	
44,45		11	157,77	B	25	73	112	120	29,36	88,90	10,21	PHS 28B-2BH11
		12	171,74	B	25	84	125	120	29,36	88,90	13,02	PHS 28B-2BH12
		13	185,75	B	25	84	125	120	29,36	88,90	16,00	PHS 28B-2BH13
		14	199,76	B	25	87	125	120	29,36	88,90	19,28	PHS 28B-2BH14

Maximum bores can accommodate standard keyways. Larger bores are available.  
 All Type B or C sprockets, up to and including 25 tooth, are with hardened teeth as standard.  
 For any additional size sprockets with hardened teeth, add "H" before the number of teeth, e.g. PHS 06B-2BH12.

**Metric sprockets, duplex, standard**

ISO 28B-2 · 44,45 mm pitch | ISO 32B-2 · 50,80 mm pitch

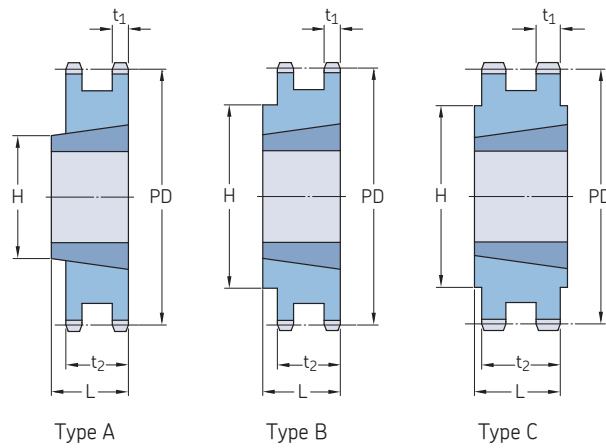


Pitch	Number of teeth	Pitch diameter PD	Type	Dimensions Bore		Hub		Plate thickness		Mass	Designation	
				Min.	Max.	H	L	t <sub>1</sub>	t <sub>2</sub>			
mm	-	mm	-	mm						kg	-	
44,45	15	213,79	B	25	96	145	120	29,36	88,90	22,91	PHS 28B-2BH15	
	16	227,84	B	30	108	160	120	29,36	88,90	26,92	PHS 28B-2BH16	
	17	241,91	B	30	114	160	120	29,36	88,90	30,83	PHS 28B-2BH17	
	18	255,98	B	30	114	160	120	29,36	88,90	34,74	PHS 28B-2BH18	
	19	270,06	B	30	133	180	120	29,36	88,90	38,93	PHS 28B-2BH19	
	20	284,15	B	30	133	180	120	29,36	88,90	44,27	PHS 28B-2BH20	
	21	298,24	B	30	133	180	120	29,36	88,90	45,08	PHS 28B-2BH21	
	22	312,34	B	30	133	180	120	29,36	88,90	48,15	PHS 28B-2BH22	
	23	326,44	B	30	133	180	120	29,36	88,90	51,59	PHS 28B-2BH23	
	24	340,55	B	30	133	180	120	29,36	88,90	55,03	PHS 28B-2BH24	
	25	354,66	B	30	133	180	120	29,36	88,90	58,47	PHS 28B-2BH25	
	26	368,77	B	30	133	180	120	29,36	88,90	64,06	PHS 28B-2B26	
	28	397,00	B	30	133	180	120	29,36	88,90	76,05	PHS 28B-2B28	
	30	425,24	B	30	133	180	120	29,36	88,90	89,16	PHS 28B-2B30	
	32	453,49	B	30	133	180	120	29,36	88,90	103,38	PHS 28B-2B32	
	38	538,27	B	30	133	200	120	29,36	88,90	97,53	PHS 28B-2B38	
	40	566,54	C	30	137	200	120	29,36	88,90	109,47	PHS 28B-2C40	
	45	637,22	C	30	137	200	120	29,36	88,90	137,32	PHS 28B-2C45	
	48	679,63	C	30	137	200	120	29,36	88,90	153,61	PHS 28B-2C48	
	54	764,46	C	30	162	200	120	29,36	88,90	204,44	PHS 28B-2C54	
	57	806,90	C	30	162	200	120	29,36	88,90	210,02	PHS 28B-2C57	
	60	849,32	C	30	162	200	130	29,36	88,90	230,82	PHS 28B-2C60	
	68	962,46	C	30	162	200	130	29,36	88,90	273,98	PHS 28B-2C68	
	72	1 019,05	C	30	162	200	130	29,36	88,90	305,70	PHS 28B-2C72	
	76	1 075,62	C	30	162	200	130	29,36	88,90	323,56	PHS 28B-2C76	
	50,80	11	180,34	B	30	80	120	120	28,83	87,38	10,42	PHS 32B-2BH11
		12	196,29	B	30	89	133	120	28,83	87,38	16,32	PHS 32B-2BH12
		13	212,29	B	30	96	145	120	28,83	87,38	21,77	PHS 32B-2BH13
		14	228,29	B	30	103	145	120	28,83	87,38	26,31	PHS 32B-2BH14
		15	244,30	B	30	106	160	120	28,83	87,38	30,84	PHS 32B-2BH15
		16	260,40	B	30	120	160	120	28,83	87,38	34,02	PHS 32B-2BH16
		17	276,40	B	30	120	180	120	28,83	87,38	41,28	PHS 32B-2BH17
18		292,55	B	30	120	180	120	28,83	87,38	43,55	PHS 32B-2BH18	
19		308,66	B	30	120	200	120	28,83	87,38	48,53	PHS 32B-2BH19	
20		324,71	B	30	130	200	120	28,83	87,38	53,98	PHS 32B-2BH20	
21		340,82	B	30	130	200	120	28,83	87,38	58,97	PHS 32B-2BH21	
22		356,98	B	30	130	200	120	28,83	87,38	63,96	PHS 32B-2BH22	
23		373,08	B	30	130	200	120	28,83	87,38	71,21	PHS 32B-2BH23	
24		389,18	B	30	130	200	120	28,83	87,38	77,57	PHS 32B-2BH24	
25		405,33	B	30	130	200	120	28,83	87,38	84,82	PHS 32B-2BH25	
26		421,44	B	30	130	200	120	28,83	87,38	91,17	PHS 32B-2B26	
28		453,69	B	30	130	200	120	28,83	87,38	101,13	PHS 32B-2B28	
30		486,00	B	30	130	200	120	28,83	87,38	116,57	PHS 32B-2B30	
38		615,14	B	30	178	200	120	28,83	87,38	170,25	PHS 32B-2B38	
40		647,49	C	30	178	200	120	28,83	87,38	177,46	PHS 32B-2C40	
45		728,26	C	30	178	200	120	28,83	87,38	195,50	PHS 32B-2C45	
48		776,72	C	30	178	200	120	28,83	87,38	204,51	PHS 32B-2C48	
54		873,68	C	30	178	220	120	28,83	87,38	222,53	PHS 32B-2C54	
57		922,16	C	30	178	220	120	28,83	87,38	231,54	PHS 32B-2C57	
68		1 099,96	C	30	178	220	130	28,83	87,38	255,83	PHS 32B-2C68	
76		1 229,28	C	30	178	220	130	28,83	87,38	292,83	PHS 32B-2C76	

Maximum bores can accommodate standard keyways. Larger bores are available.  
 All Type B or C sprockets, up to and including 25 tooth, are with hardened teeth as standard.  
 For any additional size sprockets with hardened teeth, add "H" before the number of teeth, e.g. PHS 06B-2BH12.

# Metric sprockets, duplex, taper bushed

ISO 06B-2 · 9,525 mm pitch | ISO 08B-2 · 12,70 mm pitch

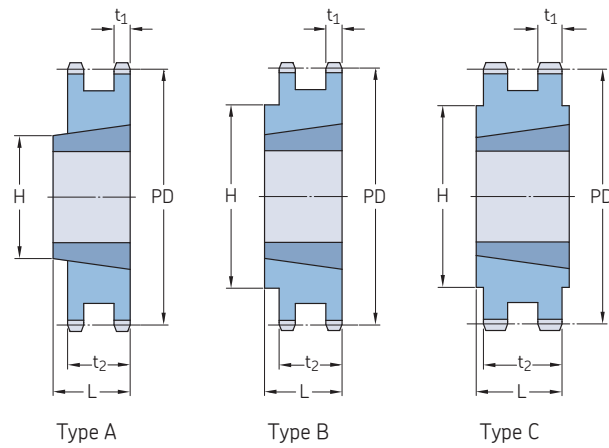


Pitch	Number of teeth	Pitch diameter PD	Type	Bushing number	Dimensions				Plate thickness		Mass Rim	Bushing	Designation	
					Bore	Min.	Max.	L	H	t <sub>1</sub>				t <sub>2</sub>
mm	-	mm	-	-	mm	mm	mm	mm	mm	mm	kg	-	-	
9,525	16	48,82	B	1008	9	25,4	22,0	41	5,20	15,44	0,06	0,12	PHS 06B-2TBH16	
	17	51,83	B	1008	9	25,4	22,0	41	5,20	15,44	0,12	0,09	PHS 06B-2TBH17	
	18	54,85	B	1008	9	25,4	22,0	45	5,20	15,44	0,18	0,09	PHS 06B-2TBH18	
	19	57,87	B	1008	9	25,4	22,0	46	5,20	15,44	0,20	0,09	PHS 06B-2TBH19	
	20	60,89	B	1008	9	25,4	22,0	48	5,20	15,44	0,24	0,09	PHS 06B-2TBH20	
	21	63,91	B	1008	9	25,4	22,0	49	5,20	15,44	0,29	0,09	PHS 06B-2TBH21	
	22	66,93	B	1108	9	25,4	22,0	52	5,20	15,44	0,30	0,12	PHS 06B-2TBH22	
	23	69,95	B	1210	11	31,8	25,0	59	5,20	15,44	0,26	0,21	PHS 06B-2TBH23	
	24	72,97	B	1210	11	31,8	25,0	63	5,20	15,44	0,34	0,21	PHS 06B-2TBH24	
	25	76,00	B	1210	11	31,8	25,0	64	5,20	15,44	0,41	0,21	PHS 06B-2TBH25	
	26	79,02	B	1210	11	31,8	25,0	65	5,20	15,44	0,45	0,21	PHS 06B-2TB26	
	27	82,05	B	1210	11	31,8	25,0	70	5,20	15,44	0,50	0,21	PHS 06B-2TB27	
	28	85,07	B	1210	11	31,8	25,0	70	5,20	15,44	0,54	0,21	PHS 06B-2TB28	
	29	88,09	B	1210	11	31,8	25,0	70	5,20	15,44	0,51	0,21	PHS 06B-2TB29	
	30	91,12	B	1210	11	31,8	25,0	75	5,20	15,44	0,61	0,21	PHS 06B-2TB30	
	32	97,17	B	1610	14	41,3	25,0	80	5,20	15,44	0,75	0,31	PHS 06B-2TB32	
	35	106,26	B	1610	14	41,3	25,0	80	5,20	15,44	0,95	0,31	PHS 06B-2TB35	
	38	115,35	B	1610	14	41,3	25,0	80	5,20	15,44	1,16	0,31	PHS 06B-2TB38	
	40	121,40	B	1610	14	41,3	25,0	80	5,20	15,44	1,30	0,31	PHS 06B-2TB40	
	45	136,55	B	1610	14	41,3	25,0	80	5,20	15,44	1,64	0,31	PHS 06B-2TB45	
	48	145,64	B	1610	14	41,3	25,0	80	5,20	15,44	1,85	0,31	PHS 06B-2TB48	
	54	163,82	B	1610	14	41,3	25,0	80	5,20	15,44	2,26	0,31	PHS 06B-2TB54	
	57	172,91	B	1610	14	41,3	25,0	80	5,20	15,44	1,75	0,31	PHS 06B-2TB57	
	60	182,00	B	1610	14	41,3	25,0	80	5,20	15,44	2,67	0,31	PHS 06B-2TB60	
	70	212,30	B	1610	14	41,3	25,0	80	5,20	15,44	3,36	0,31	PHS 06B-2TB70	
	76	230,49	B	1610	14	41,3	25,0	80	5,20	15,44	3,19	0,31	PHS 06B-2TB76	
	95	288,08	B	1610	14	41,3	25,0	90	5,20	15,44	5,08	0,31	PHS 06B-2TB95	
	114	345,68	B	1615	14	50,8	38,0	95	5,20	15,44	6,39	0,59	PHS 06B-2TB114	
	12,70	15	61,09	A	1008	9	25,4	22,0	46	7,24	21,13	0,23	0,09	PHS 08B-2TBH15
		16	65,10	A	1108	9	28,0	22,0	50	7,24	21,13	0,25	0,12	PHS 08B-2TBH16
17		69,11	A	1210	11	31,8	25,0	56	7,24	21,13	0,26	0,21	PHS 08B-2TBH17	
18		73,14	B	1210	11	31,8	25,0	60	7,24	21,13	0,31	0,21	PHS 08B-2TBH18	
19		77,16	B	1210	11	31,8	25,0	62	7,24	21,13	0,43	0,21	PHS 08B-2TBH19	
20		81,19	B	1610	14	41,3	25,0	68	7,24	21,13	0,45	0,31	PHS 08B-2TBH20	
21		85,22	B	1610	14	41,3	25,0	70	7,24	21,13	0,48	0,31	PHS 08B-2TBH21	
22		89,24	B	1610	14	41,3	25,0	76	7,24	21,13	0,54	0,31	PHS 08B-2TBH22	
23		93,27	B	1610	14	41,3	25,0	79	7,24	21,13	0,66	0,31	PHS 08B-2TBH23	
24		97,29	B	1610	14	50,8	32,0	84	7,24	21,13	0,60	0,59	PHS 08B-2TBH24	
25		101,33	B	2012	14	50,8	32,0	87	7,24	21,13	0,74	0,59	PHS 08B-2TBH25	
26		105,36	B	2012	14	50,8	32,0	87	7,24	21,13	0,81	0,59	PHS 08B-2TB26	
27		109,40	B	2012	14	50,8	32,0	87	7,24	21,13	0,92	0,59	PHS 08B-2TB27	
28		113,42	B	2012	14	50,8	32,0	87	7,24	21,13	1,03	0,59	PHS 08B-2TB28	
29		117,46	B	2012	14	50,8	32,0	87	7,24	21,13	1,16	0,59	PHS 08B-2TB29	
30		121,50	B	2012	14	50,8	32,0	87	7,24	21,13	1,25	0,59	PHS 08B-2TB30	
35		141,68	B	2012	14	50,8	32,0	100	7,24	21,13	1,65	0,59	PHS 08B-2TB35	
36		145,72	B	2012	14	50,8	32,0	100	7,24	21,13	2,05	0,59	PHS 08B-2TB36	
38		153,80	B	2012	14	50,8	32,0	100	7,24	21,13	2,53	0,59	PHS 08B-2TB38	
42		169,94	C	2517	16	63,5	32,0	100	7,24	21,13	3,13	1,30	PHS 08B-2TB42	
45		182,07	C	2012	14	50,8	32,0	100	7,24	21,13	3,73	0,59	PHS 08B-2TB45	
48		194,18	C	2517	16	63,5	32,0	100	7,24	21,13	3,84	1,30	PHS 08B-2TB48	
54		218,42	C	2517	16	63,5	32,0	100	7,24	21,13	3,95	1,30	PHS 08B-2TB54	
57		230,53	C	2012	14	50,8	32,0	100	7,24	21,13	4,07	0,59	PHS 08B-2TB57	
60		242,66	C	2517	16	63,5	32,0	100	7,24	21,13	4,20	1,30	PHS 08B-2TB60	

All Type B or C sprockets, up to and including 25 tooth, are with hardened teeth as standard.  
For any additional size sprockets with hardened teeth, add "H" before the number of teeth, e.g. PHS 06B-2TBH16.

**Metric sprockets, duplex, taper bushed**

ISO 08B-2 · 12,70 mm pitch | ISO 10B-2 · 15,88 mm pitch | ISO 12B-2 · 19,05 mm pitch



Pitch	Number of teeth	Pitch diameter PD	Type	Bushing number	Dimensions Bore		L	H	Plate thickness		Mass Rim	Bushing	Designation	
					Min.	Max.			t <sub>1</sub>	t <sub>2</sub>				
mm	-	mm	-	-	mm						kg	-	-	
12,70	68	274,99	C	2517	16	63,5	32,0	100	7,24	21,13	4,33	1,30	PHS 08B-2TB68	
	70	283,07	C	2517	16	63,5	32,0	100	7,24	21,13	4,46	1,30	PHS 08B-2TB70	
	72	291,15	C	2517	16	63,5	32,0	100	7,24	21,13	4,59	1,30	PHS 08B-2TB72	
	76	307,31	C	2012	14	50,8	32,0	100	7,24	21,13	4,72	0,59	PHS 08B-2TB76	
	84	339,65	C	2517	16	63,5	32,0	100	7,24	21,13	6,45	1,30	PHS 08B-2TB84	
	95	384,10	C	2012	14	50,8	32,0	100	7,24	21,13	8,18	0,59	PHS 08B-2TB95	
	96	388,15	C	2517	16	63,5	32,0	110	7,24	21,13	9,00	1,30	PHS 08B-2TB96	
	114	460,90	C	2517	16	63,5	45,0	110	7,24	21,13	10,50	1,30	PHS 08B-2TB114	
	15,88	14	71,34	A	1008	9	25,4	25,5	-	8,97	25,22	0,43	0,09	PHS 10B-2TBH14
		15	76,36	A	1210	11	31,8	25,5	-	8,97	25,22	0,39	0,21	PHS 10B-2TBH15
16		81,37	A	1610	14	41,3	25,5	-	8,97	25,22	0,35	0,31	PHS 10B-2TBH16	
17		86,39	A	1610	14	41,3	25,5	-	8,97	25,22	0,46	0,31	PHS 10B-2TBH17	
18		91,42	A	1610	14	41,3	25,5	-	8,97	25,22	0,62	0,31	PHS 10B-2TBH18	
19		96,45	A	1610	14	41,3	25,5	-	8,97	25,22	0,75	0,31	PHS 10B-2TBH19	
20		101,49	B	1610	14	41,3	25,5	-	8,97	25,55	0,87	0,31	PHS 10B-2TBH20	
21		106,52	B	1610	14	41,3	25,5	-	8,97	25,55	1,05	0,31	PHS 10B-2TBH21	
22		111,55	B	1610	14	41,3	25,5	-	8,97	25,55	1,20	0,31	PHS 10B-2TBH22	
23		116,58	B	1610	14	41,3	25,5	-	8,97	25,55	1,38	0,31	PHS 10B-2TBH23	
24		121,62	B	2012	14	50,8	32,0	90	8,97	25,55	1,43	0,59	PHS 10B-2TBH24	
25		126,66	B	2012	14	50,8	32,0	90	8,97	25,55	1,62	0,59	PHS 10B-2TBH25	
26		131,70	B	2012	14	50,8	32,0	90	8,97	25,55	1,79	0,59	PHS 10B-2TB26	
27		136,75	B	2012	14	50,8	32,0	90	8,97	25,55	2,00	0,59	PHS 10B-2TB27	
28		141,78	B	2012	14	50,8	32,0	90	8,97	25,55	2,20	0,59	PHS 10B-2TB28	
29		146,83	B	2012	14	50,8	32,0	90	8,97	25,55	2,43	0,59	PHS 10B-2TB29	
30		151,87	B	2012	14	50,8	32,0	90	8,97	25,55	2,66	0,59	PHS 10B-2TB30	
36		182,15	C	2517	16	63,5	45,0	110	8,97	25,55	4,33	1,30	PHS 10B-2TB36	
38		192,24	C	2517	14	50,8	45,0	110	8,97	25,55	4,88	0,59	PHS 10B-2TB38	
42		212,44	C	2517	16	63,5	45,0	110	8,97	25,55	5,99	1,30	PHS 10B-2TB42	
45		227,58	C	2517	16	63,5	45,0	110	8,97	25,55	6,83	1,30	PHS 10B-2TB45	
48		242,73	C	2517	16	63,5	45,0	110	8,97	25,55	7,66	1,30	PHS 10B-2TB48	
57		288,18	C	2517	16	63,5	45,0	110	8,97	25,55	10,15	1,30	PHS 10B-2TB57	
60		303,32	C	2517	16	63,5	45,0	110	8,97	25,55	10,99	1,30	PHS 10B-2TB60	
68		343,74	C	2517	16	63,5	45,0	110	8,97	25,55	13,21	1,30	PHS 10B-2TB68	
76		384,16	C	2517	16	63,5	45,0	110	8,97	25,55	15,43	1,30	PHS 10B-2TB76	
84		424,57	C	2517	16	63,5	45,0	110	8,97	25,55	17,65	1,30	PHS 10B-2TB84	
95		480,14	C	2517	16	63,5	45,0	110	8,97	25,55	20,70	1,30	PHS 10B-2TB95	
114		576,13	C	2517	16	63,5	45,0	110	8,97	25,55	25,97	1,30	PHS 10B-2TB114	
19,05		12	73,61	A	1215	11	31,8	30,3	-	10,87	30,33	0,19	0,30	PHS 12B-2TBH12
	13	79,59	A	1215	14	41,3	30,3	-	10,87	30,33	0,36	0,30	PHS 12B-2TBH13	
	14	85,61	A	1215	14	41,3	30,3	-	10,87	30,33	0,53	0,30	PHS 12B-2TBH14	
	15	91,63	A	1610	14	41,3	30,3	-	10,87	30,33	0,70	0,31	PHS 12B-2TBH15	
	16	97,65	A	1610	14	41,3	30,3	-	10,87	30,33	0,87	0,31	PHS 12B-2TBH16	
	17	103,67	A	1610	14	41,3	30,3	-	10,87	30,33	1,10	0,31	PHS 12B-2TBH17	
	18	109,71	B	2012	14	50,8	31,8	90	10,87	30,33	1,05	0,59	PHS 12B-2TBH18	
	19	115,75	B	2012	14	50,8	32,0	90	10,87	30,33	1,29	0,59	PHS 12B-2TBH19	
	20	121,78	B	2517	16	63,5	45,0	102	10,87	30,33	1,34	1,30	PHS 12B-2TBH20	
	21	127,82	B	2517	16	63,5	45,0	108	10,87	30,33	1,71	1,30	PHS 12B-2TBH21	
	22	133,86	B	2517	16	63,5	45,0	108	10,87	30,33	2,03	1,30	PHS 12B-2TBH22	
	23	139,90	B	2517	16	63,5	45,0	108	10,87	30,33	2,51	1,30	PHS 12B-2TBH23	
	24	145,94	B	2517	16	63,5	45,0	108	10,87	30,33	2,58	1,30	PHS 12B-2TBH24	
	25	152,00	B	2517	16	63,5	45,0	108	10,87	30,33	3,38	1,30	PHS 12B-2TBH25	
	26	158,04	B	2517	16	63,5	45,0	108	10,87	30,33	3,24	1,30	PHS 12B-2TB26	
	27	164,09	B	2517	16	63,5	45,0	108	10,87	30,33	4,00	1,30	PHS 12B-2TB27	

All Type B or C sprockets, up to and including 25 tooth, are with hardened teeth as standard.  
For any additional size sprockets with hardened teeth, add "H" before the number of teeth, e.g. PHS 06B-2TBH16.

Metric sprockets, duplex, taper bushed

ISO 12B-2 · 19,05 mm pitch | ISO 16B-2 · 25,40 mm pitch

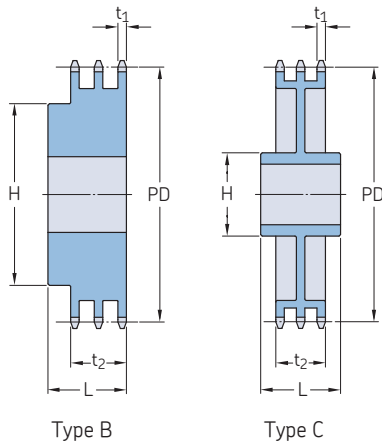
Pitch	Number of teeth	Pitch diameter PD	Type	Bushing number	Dimensions Bore				Plate thickness		Mass Rim	Bushing	Designation
					Min.	Max.	L	H	t <sub>1</sub>	t <sub>2</sub>			
					mm				kg				
19,05	28	170,13	B	2517	16	63,5	45,0	108	10,87	30,33	3,92	1,30	PHS 12B-2TB28
	30	182,25	B	2517	16	63,5	45,0	108	10,87	30,33	5,14	1,30	PHS 12B-2TB30
	32	194,36	B	2517	16	63,5	44,5	130	10,87	30,33	5,92	1,30	PHS 12B-2TB32
	35	212,52	B	2517	16	63,5	44,5	130	10,87	30,33	7,08	1,30	PHS 12B-2TB35
	38	230,69	B	3020	25	76,2	51,0	140	10,87	30,33	6,95	2,24	PHS 12B-2TB38
	40	242,81	C	3020	25	76,2	51,0	140	10,87	30,33	9,03	2,24	PHS 12B-2TB40
	42	254,93	C	3020	25	76,2	51,0	140	10,87	30,33	9,81	2,24	PHS 12B-2TB42
	45	273,10	C	3020	25	76,2	51,0	140	10,87	30,33	9,33	2,24	PHS 12B-2TB45
	54	327,64	C	3020	25	76,2	51,0	140	10,87	30,33	14,47	2,24	PHS 12B-2TB54
	57	345,81	C	3020	25	76,2	51,0	140	10,87	30,33	10,50	2,24	PHS 12B-2TB57
	60	363,99	C	3020	25	76,2	51,0	140	10,87	30,33	16,80	2,24	PHS 12B-2TB60
	65	394,29	C	3020	25	76,2	51,0	140	10,87	30,33	18,75	2,24	PHS 12B-2TB65
	70	424,60	C	3020	25	76,2	51,0	140	10,87	30,33	20,69	2,24	PHS 12B-2TB70
	76	460,99	C	3020	25	76,2	51,0	140	10,87	30,33	17,06	2,24	PHS 12B-2TB76
84	509,48	C	3020	25	76,2	51,0	140	10,87	30,33	26,13	2,24	PHS 12B-2TB84	
95	576,17	C	3020	25	76,2	51,0	140	10,87	30,33	28,50	2,24	PHS 12B-2TB95	
114	691,36	C	3020	25	76,2	76,0	140	10,87	30,33	37,80	2,24	PHS 12B-2TB114	
25,40	13	106,12	A	1615	14	42,0	47,7	-	15,83	47,71	0,51	0,59	PHS 16B-2TBH13
	14	114,15	A	2012	14	50,8	47,7	-	15,83	47,71	1,01	0,59	PHS 16B-2TBH14
	15	122,17	A	2012	14	50,8	47,7	-	15,83	47,71	2,12	0,59	PHS 16B-2TBH15
	16	130,20	A	2517	16	63,5	47,7	-	15,83	47,71	2,01	1,30	PHS 16B-2TBH16
	17	138,22	A	2517	16	63,5	47,7	-	15,83	47,71	2,51	1,30	PHS 16B-2TBH17
	18	146,28	A	2517	16	63,5	47,7	-	15,83	47,71	3,13	1,30	PHS 16B-2TBH18
	19	154,33	A	2517	16	63,5	47,7	-	15,83	47,71	3,76	1,30	PHS 16B-2TBH19
	20	162,38	B	2517	16	63,5	47,7	140	15,83	47,71	4,43	1,30	PHS 16B-2TBH20
	21	170,43	B	3020	25	76,2	51,0	140	15,83	47,71	4,13	2,24	PHS 16B-2TBH21
	22	178,48	B	3020	25	76,2	51,0	140	15,83	47,71	4,95	2,24	PHS 16B-2TBH22
	23	186,53	B	3020	25	76,2	51,0	140	15,83	47,71	5,80	2,24	PHS 16B-2TBH23
	24	194,59	B	3020	25	76,2	51,0	140	15,83	47,71	6,68	2,24	PHS 16B-2TBH24
	25	202,66	B	3020	25	76,2	51,0	140	15,83	47,71	7,65	2,24	PHS 16B-2TBH25
	26	210,72	B	3020	25	76,2	51,0	140	15,83	47,71	8,50	2,24	PHS 16B-2TB26
	27	218,79	B	3020	25	76,2	51,0	140	15,83	47,71	9,47	2,24	PHS 16B-2TB27
	28	226,85	B	3020	25	76,2	51,0	140	15,83	47,71	10,46	2,24	PHS 16B-2TB28
	29	234,92	B	3020	25	76,2	51,0	140	15,83	47,71	11,48	2,24	PHS 16B-2TB29
	30	243,00	B	3020	25	76,2	51,0	140	15,83	47,71	12,50	3,04	PHS 16B-2TB30
	35	283,36	C	3030	35	76,2	76,0	140	15,83	47,71	16,36	3,04	PHS 16B-2TB35
	38	307,59	C	3030	25	63,5	51,0	140	15,83	47,71	13,48	3,04	PHS 16B-2TB38
	42	339,90	C	3030	35	76,2	76,0	140	15,83	47,71	22,52	2,24	PHS 16B-2TB42
	45	364,13	C	3030	35	76,2	76,0	140	15,83	47,71	18,30	3,04	PHS 16B-2TB45
	57	461,07	C	3525	35	100,0	63,5	175	15,83	47,71	27,00	3,56	PHS 16B-2TB57
	76	614,65	C	3525	35	100,0	63,5	175	15,83	47,71	43,50	3,56	PHS 16B-2TB76
95	768,22	C	4040	40	101,6	102,0	215	15,83	47,71	67,00	5,54	PHS 16B-2TB95	
114	921,81	C	4040	40	101,6	102,0	215	15,83	47,71	85,88	5,54	PHS 16B-2TB114	

All Type B or C sprockets, up to and including 25 tooth, are with hardened teeth as standard.  
For any additional size sprockets with hardened teeth, add "H" before the number of teeth, e.g. PHS 06B-2TBH16.



Metric sprockets, triplex, standard

ISO 06B-3 · 9,525 mm pitch | ISO 08B-3 · 12,70 mm pitch



Pitch	Number of teeth	Pitch diameter PD	Type	Dimensions Bore		Hub		Plate thickness		Mass	Designation
				Min.	Max.	H	L	t <sub>1</sub>	t <sub>2</sub>		
mm	-	mm	-	mm						kg	-
9,525	12	36,80	B	10	16	25	35	5,20	25,70	0,23	PHS 06B-3BH12
	13	39,79	B	10	18	28	35	5,20	25,70	0,27	PHS 06B-3BH13
	14	42,80	B	12	18	31	35	5,20	25,70	0,32	PHS 06B-3BH14
	15	45,81	B	12	20	34	35	5,20	25,70	0,36	PHS 06B-3BH15
	16	48,82	B	12	20	37	35	5,20	25,70	0,45	PHS 06B-3BH16
	17	51,83	B	12	24	40	35	5,20	25,70	0,54	PHS 06B-3BH17
	18	54,85	B	12	25	43	35	5,20	25,70	0,64	PHS 06B-3BH18
	19	57,87	B	12	28	46	35	5,20	25,70	0,72	PHS 06B-3BH19
	20	60,89	B	12	30	49	35	5,20	25,70	0,77	PHS 06B-3BH20
	21	63,91	B	14	30	52	40	5,20	25,70	0,86	PHS 06B-3BH21
	22	66,93	B	14	35	55	40	5,20	25,70	0,95	PHS 06B-3BH22
	23	69,95	B	14	38	58	40	5,20	25,70	1,04	PHS 06B-3BH23
	24	72,97	B	14	39	61	40	5,20	25,70	1,18	PHS 06B-3BH24
	25	76,02	B	14	40	64	40	5,20	25,70	1,27	PHS 06B-3BH25
	26	79,02	B	14	42	67	40	5,20	25,70	1,31	PHS 06B-3BH26
	27	82,02	B	14	45	70	40	5,20	25,70	1,36	PHS 06B-3BH27
	28	85,07	B	14	48	73	40	5,20	25,70	1,50	PHS 06B-3BH28
	29	88,09	B	14	50	76	40	5,20	25,70	1,68	PHS 06B-3BH29
	30	91,12	B	14	52	79	40	5,20	25,70	1,72	PHS 06B-3BH30
	32	97,17	B	16	52	80	40	5,20	25,70	2,00	PHS 06B-3BH32
	35	106,26	B	16	52	85	40	5,20	25,70	2,25	PHS 06B-3BH35
	36	109,29	B	16	60	90	40	5,20	25,70	2,33	PHS 06B-3BH36
	38	115,35	B	16	60	90	40	5,20	25,70	2,49	PHS 06B-3BH38
	40	121,40	B	16	60	90	40	5,20	25,70	2,65	PHS 06B-3BH40
	42	127,46	B	16	60	90	56	5,20	25,70	2,81	PHS 06B-3BH42
	45	136,55	B	16	60	90	56	5,20	25,70	3,00	PHS 06B-3BH45
	48	145,64	B	16	60	90	56	5,20	25,70	3,20	PHS 06B-3BH48
	52	157,75	B	16	60	90	56	5,20	25,70	3,46	PHS 06B-3BH52
	57	172,91	B	16	60	90	56	5,20	25,70	4,77	PHS 06B-3BH57
	60	181,99	B	16	60	90	56	5,20	25,70	5,02	PHS 06B-3BH60
	68	206,24	B	16	60	90	56	5,20	25,70	5,69	PHS 06B-3BH68
	70	212,30	B	16	60	90	56	5,20	25,70	5,86	PHS 06B-3BH70
72	218,37	B	16	60	90	56	5,20	25,70	6,02	PHS 06B-3BH72	
76	230,49	B	16	64	90	56	5,20	25,70	8,48	PHS 06B-3BH76	
84	254,74	B	16	64	90	56	5,20	25,70	9,37	PHS 06B-3BH84	
95	288,08	B	16	64	90	56	5,20	25,70	13,61	PHS 06B-3BH95	
96	291,11	B	16	64	90	56	5,20	25,70	13,75	PHS 06B-3BH96	
114	345,69	B	16	64	90	56	5,20	25,70	17,48	PHS 06B-3BH114	
12,70	11	45,07	B	14	22	32	50	7,24	35,05	0,32	PHS 08B-3BH11
	12	49,07	B	14	24	35	50	7,24	35,05	0,45	PHS 08B-3BH12
	13	53,06	B	14	25	38	50	7,24	35,05	0,59	PHS 08B-3BH13
	14	57,07	B	14	28	42	50	7,24	35,05	0,72	PHS 08B-3BH14
	15	61,09	B	14	31	46	50	7,24	35,05	0,81	PHS 08B-3BH15
	16	65,10	B	16	35	50	50	7,24	35,05	0,90	PHS 08B-3BH16
	17	69,11	B	16	36	54	50	7,24	35,05	1,04	PHS 08B-3BH17
	18	73,14	B	16	38	58	50	7,24	35,05	1,22	PHS 08B-3BH18
	19	77,16	B	16	40	62	50	7,24	35,05	1,41	PHS 08B-3BH19
	20	81,19	B	16	40	66	50	7,24	35,05	1,58	PHS 08B-3BH20
	21	85,22	B	16	45	70	55	7,24	35,05	1,81	PHS 08B-3BH21
	22	89,24	B	16	45	70	55	7,24	35,05	2,03	PHS 08B-3BH22
	23	93,27	B	16	45	70	55	7,24	35,05	2,27	PHS 08B-3BH23
	24	97,29	B	16	50	75	55	7,24	35,05	2,44	PHS 08B-3BH24
	25	101,33	B	16	52	80	55	7,24	35,05	2,54	PHS 08B-3BH25

Maximum bores can accommodate standard keyways. Larger bores are available where a shallow keyway is used or no keyway is required. All Type B or C sprockets, up to and including 25 tooth, are with hardened teeth as standard. For any additional size sprockets with hardened teeth, add "H" before the number of teeth, e.g. PHS 06B-3BH12.



# Metric sprockets, triplex, standard

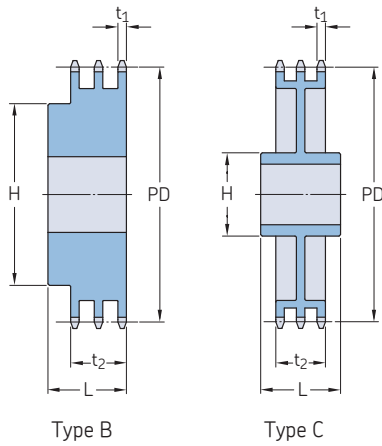
ISO 08B-3 · 12,70 mm pitch | ISO 10B-3 · 15,88 mm pitch | ISO 12B-3 · 19,05 mm pitch

Pitch	Number of teeth	Pitch diameter	Type	Dimensions		Hub		Plate thickness		Mass	Designation	
				Bore		H	L	t <sub>1</sub>	t <sub>2</sub>			
				Min.	Max.							
mm	-	mm	-	mm	mm	mm	mm	mm	mm	kg	-	
12,70	26	105,36	B	20	56	85	55	7,24	35,05	2,85	PHS 08B-3B26	
	27	109,40	B	20	56	85	55	7,24	35,05	2,85	PHS 08B-3B27	
	28	113,42	B	20	60	90	55	7,24	35,05	3,16	PHS 08B-3B28	
	29	117,46	B	20	62	95	55	7,24	35,05	3,34	PHS 08B-3B29	
	30	121,50	B	20	64	100	55	7,24	35,05	3,48	PHS 08B-3B30	
	35	141,68	B	20	73	110	55	7,24	35,05	4,79	PHS 08B-3B35	
	36	145,72	B	25	80	120	55	7,24	35,05	5,43	PHS 08B-3B36	
	38	153,80	B	25	80	120	55	7,24	35,05	6,49	PHS 08B-3B38	
	42	169,95	B	25	80	120	60	7,24	35,05	7,17	PHS 08B-3B42	
	45	182,07	B	25	80	120	60	7,24	35,05	7,69	PHS 08B-3B45	
	48	194,18	B	25	80	120	60	7,24	35,05	8,20	PHS 08B-3B48	
	52	210,34	B	25	80	120	60	7,24	35,05	8,88	PHS 08B-3B52	
	54	218,43	B	25	80	120	60	7,24	35,05	9,22	PHS 08B-3B54	
	57	230,54	B	25	80	120	60	7,24	35,05	12,62	PHS 08B-3B57	
	60	242,66	B	25	85	120	60	7,24	35,05	13,84	PHS 08B-3B60	
	68	274,99	B	25	85	120	60	7,24	35,05	15,69	PHS 08B-3B68	
	72	291,16	B	25	85	120	60	7,24	35,05	16,61	PHS 08B-3B72	
	76	307,33	B	25	85	120	60	7,24	35,05	22,23	PHS 08B-3B76	
	84	339,65	B	25	85	120	60	7,24	35,05	24,57	PHS 08B-3B84	
	95	384,11	B	25	85	120	60	7,24	35,05	33,11	PHS 08B-3B95	
	114	460,90	B	25	85	120	60	7,24	35,05	41,90	PHS 08B-3B114	
	15,88	11	56,34	B	16	24	39	55	8,97	42,14	0,68	PHS 10B-3BH11
		12	61,34	B	16	29	44	55	8,97	42,14	0,82	PHS 10B-3BH12
		13	66,32	B	16	34	49	55	8,97	42,14	1,05	PHS 10B-3BH13
		14	71,34	B	16	35	54	55	8,97	42,14	1,23	PHS 10B-3BH14
		15	76,36	B	16	38	59	55	8,97	42,14	1,36	PHS 10B-3BH15
		16	81,37	B	16	42	64	60	8,97	42,14	1,55	PHS 10B-3BH16
		17	86,38	B	16	45	69	60	8,97	42,14	1,81	PHS 10B-3BH17
		18	91,42	B	16	48	74	60	8,97	42,14	2,09	PHS 10B-3BH18
		19	96,45	B	16	52	79	60	8,97	42,14	2,40	PHS 10B-3BH19
20		101,49	B	16	56	84	60	8,97	42,14	2,72	PHS 10B-3BH20	
21		106,52	B	20	56	85	60	8,97	42,14	3,04	PHS 10B-3BH21	
22		111,55	B	20	60	90	60	8,97	42,14	3,36	PHS 10B-3BH22	
23		116,58	B	20	62	95	60	8,97	42,14	3,67	PHS 10B-3BH23	
24		121,62	B	20	64	100	60	8,97	42,14	4,00	PHS 10B-3BH24	
25		126,66	B	20	68	105	60	8,97	42,14	4,31	PHS 10B-3BH25	
26		131,70	B	20	73	110	60	8,97	42,14	5,18	PHS 10B-3B26	
27		136,75	B	20	73	110	60	8,97	42,14	5,63	PHS 10B-3B27	
28		141,78	B	20	76	115	60	8,97	42,14	6,04	PHS 10B-3B28	
29		146,83	B	20	76	115	60	8,97	42,14	6,22	PHS 10B-3B29	
30		151,87	B	20	80	120	60	8,97	42,14	6,36	PHS 10B-3B30	
32		161,95	B	20	80	120	60	8,97	42,14	7,26	PHS 10B-3B32	
35		177,10	B	20	80	120	60	8,97	42,14	8,60	PHS 10B-3B35	
36		182,15	B	25	80	120	60	8,97	42,14	9,34	PHS 10B-3B36	
38		192,24	B	25	80	120	60	8,97	42,14	11,03	PHS 10B-3B38	
45		227,58	B	25	80	130	60	8,97	42,14	14,94	PHS 10B-3B45	
48		242,73	B	25	80	130	60	8,97	42,14	16,62	PHS 10B-3B48	
57		288,18	B	25	80	130	64	8,97	42,14	21,77	PHS 10B-3B57	
60		303,32	B	25	80	130	67	8,97	42,14	22,22	PHS 10B-3B60	
76		384,16	C	25	80	130	67	8,97	42,14	23,13	PHS 10B-3C76	
80		404,35	C	25	80	130	67	8,97	42,14	25,14	PHS 10B-3C80	
95	480,14	C	25	80	130	67	8,97	42,14	32,66	PHS 10B-3C95		
114	576,13	C	25	80	130	67	8,97	42,14	44,76	PHS 10B-3C114		
19,05	11	67,61	B	20	32	47	70	10,87	49,78	1,13	PHS 12B-3BH11	
	12	73,61	B	20	36	53	70	10,87	49,78	1,50	PHS 12B-3BH12	
	13	79,59	B	20	38	59	70	10,87	49,78	1,77	PHS 12B-3BH13	
	14	85,61	B	20	42	65	70	10,87	49,78	2,04	PHS 12B-3BH14	
	15	91,63	B	20	45	71	70	10,87	49,78	2,45	PHS 12B-3BH15	
	16	97,65	B	20	51	77	70	10,87	49,78	2,95	PHS 12B-3BH16	
	17	103,67	B	20	54	83	70	10,87	49,78	3,49	PHS 12B-3BH17	
	18	109,71	B	20	60	89	70	10,87	49,78	3,86	PHS 12B-3BH18	
	19	115,75	B	20	62	95	70	10,87	49,78	4,54	PHS 12B-3BH19	
	20	121,78	B	20	64	100	70	10,87	49,78	5,08	PHS 12B-3BH20	
	21	127,82	B	20	64	100	70	10,87	49,78	5,67	PHS 12B-3BH21	
	22	133,86	B	20	64	100	70	10,87	49,78	5,99	PHS 12B-3BH22	
	23	139,90	B	20	73	110	70	10,87	49,78	6,62	PHS 12B-3BH23	
	24	145,94	B	20	73	110	70	10,87	49,78	7,17	PHS 12B-3BH24	
	25	152,00	B	20	80	120	70	10,87	49,78	7,71	PHS 12B-3BH25	
	26	158,04	B	20	80	120	70	10,87	49,78	8,44	PHS 12B-3B26	
	27	164,09	B	20	80	120	70	10,87	49,78	8,99	PHS 12B-3B27	
	28	170,13	B	20	80	120	70	10,87	49,78	9,49	PHS 12B-3B28	
	29	176,19	B	20	80	120	70	10,87	49,78	9,99	PHS 12B-3B29	
	30	182,25	B	20	80	120	70	10,87	49,78	10,53	PHS 12B-3B30	

Maximum bores can accommodate standard keyways. Larger bores are available where a shallow keyway is used or no keyway is required. All Type B or C sprockets, up to and including 25 tooth, are with hardened teeth as standard. For any additional size sprockets with hardened teeth, add "H" before the number of teeth, e.g. PHS 06B-3BH12.

**Metric sprockets, triplex, standard**

ISO 12B-3 · 19,05 mm pitch | ISO 16B-3 · 25,40 mm pitch | ISO 20B-3 · 31,75 mm pitch



Pitch	Number of teeth	Pitch diameter PD	Type	Dimensions Bore		Hub		Plate thickness		Mass	Designation
				Min.	Max.	H	L	t <sub>1</sub>	t <sub>2</sub>		
mm	-	mm	-	mm						kg	-
19,05	35	212,52	B	25	85	130	70	10,87	49,78	18,95	PHS 12B-3B35
	36	218,58	B	25	85	130	70	10,87	49,78	19,49	PHS 12B-3B36
	38	230,69	B	25	85	130	70	10,87	49,78	20,57	PHS 12B-3B38
	45	273,10	B	25	85	140	70	10,87	49,78	24,36	PHS 12B-3B45
	48	291,27	B	25	85	140	70	10,87	49,78	25,98	PHS 12B-3B48
	57	345,81	B	25	82	140	70	10,87	49,78	33,73	PHS 12B-3B57
	60	363,99	C	25	82	140	70	10,87	49,78	35,51	PHS 12B-3C60
	68	412,49	C	25	82	140	70	10,87	49,78	40,24	PHS 12B-3C68
	76	460,99	C	25	95	140	70	10,87	49,78	37,19	PHS 12B-3C76
	80	485,22	C	25	95	140	70	10,87	49,78	39,15	PHS 12B-3C80
95	576,17	C	25	95	140	70	10,87	49,78	47,63	PHS 12B-3C95	
25,40	10	90,14	B	20	42	56	95	15,82	79,58	1,85	PHS 16B-3BH10
	11	90,14	B	25	42	64	100	15,82	79,58	3,59	PHS 16B-3BH11
	12	98,14	B	25	45	72	100	15,82	79,58	3,59	PHS 16B-3BH12
	13	106,12	B	25	52	80	100	15,82	79,58	4,13	PHS 16B-3BH13
	14	114,15	B	25	58	88	100	15,82	79,58	4,68	PHS 16B-3BH14
	15	122,17	B	25	62	96	100	15,82	79,58	5,54	PHS 16B-3BH15
	16	130,20	B	25	66	104	100	15,82	79,58	6,81	PHS 16B-3BH16
	17	138,22	B	25	74	112	100	15,82	79,58	8,07	PHS 16B-3BH17
	18	146,28	B	25	80	120	100	15,82	79,58	9,99	PHS 16B-3BH18
	19	154,33	B	25	84	128	100	15,82	79,58	10,89	PHS 16B-3BH19
	20	162,38	B	25	85	130	100	15,82	79,58	11,80	PHS 16B-3BH20
	21	170,43	B	25	85	130	100	15,82	79,58	13,61	PHS 16B-3BH21
	22	178,48	B	25	85	130	100	15,82	79,58	14,07	PHS 16B-3BH22
	23	186,53	B	25	85	130	100	15,82	79,58	14,97	PHS 16B-3BH23
	24	194,59	B	25	85	130	100	15,82	79,58	16,34	PHS 16B-3BH24
	25	202,66	B	25	85	130	100	15,82	79,58	17,70	PHS 16B-3BH25
	26	210,72	B	30	85	130	100	15,82	79,58	19,98	PHS 16B-3B26
	27	218,79	B	30	85	130	100	15,82	79,58	21,57	PHS 16B-3B27
	28	226,85	B	30	85	130	100	15,82	79,58	23,15	PHS 16B-3B28
	29	234,92	B	30	85	130	100	15,82	79,58	24,74	PHS 16B-3B29
	30	243,00	B	30	95	136	100	15,82	79,58	26,33	PHS 16B-3B30
	35	283,36	B	30	95	140	100	15,82	79,58	36,06	PHS 16B-3B35
	36	291,44	B	30	95	140	100	15,82	79,58	38,06	PHS 16B-3B36
	38	307,59	C	30	97	140	100	15,82	79,58	38,22	PHS 16B-3C38
42	339,89	C	30	97	160	100	15,82	79,58	38,51	PHS 16B-3C42	
45	364,13	C	30	97	160	100	15,82	79,58	41,77	PHS 16B-3C45	
57	461,07	C	30	107	180	110	15,82	79,58	54,80	PHS 16B-3C57	
60	485,32	C	30	107	180	110	15,82	79,58	58,06	PHS 16B-3C60	
68	549,98	C	30	107	180	110	15,82	79,58	63,50	PHS 16B-3C68	
76	614,65	C	30	107	180	110	15,82	79,58	74,52	PHS 16B-3C76	
95	768,22	C	30	114	180	110	15,82	79,58	100,70	PHS 16B-3C95	
114	921,81	C	30	114	180	110	15,82	79,58	120,84	PHS 16B-3C114	
31,75	10	102,75	B	20	47	70	110	18,19	91,08	3,95	PHS 20B-3BH10
	11	112,70	B	20	52	80	115	18,19	91,08	5,26	PHS 20B-3BH11
	12	122,67	B	20	60	90	115	18,19	91,08	6,21	PHS 20B-3BH12
	13	132,67	B	20	64	100	115	18,19	91,08	9,26	PHS 20B-3BH13
	14	142,68	B	20	73	110	115	18,19	91,08	9,76	PHS 20B-3BH14
	15	152,71	B	20	80	120	115	18,19	91,08	10,81	PHS 20B-3BH15
	16	162,75	B	25	80	120	115	18,19	91,08	12,76	PHS 20B-3BH16
	17	172,79	B	25	80	120	115	18,19	91,08	14,76	PHS 20B-3BH17
	18	182,84	B	25	80	120	115	18,19	91,08	16,71	PHS 20B-3BH18
	19	192,90	B	25	80	120	115	18,19	91,08	19,13	PHS 20B-3BH19

Maximum bores can accommodate standard keyways. Larger bores are available where a shallow keyway is used or no keyway is required. All Type B or C sprockets, up to and including 25 tooth, are with hardened teeth as standard. For any additional size sprockets with hardened teeth, add "H" before the number of teeth, e.g. PHS 06B-3BH12.

## Metric sprockets, triplex, standard

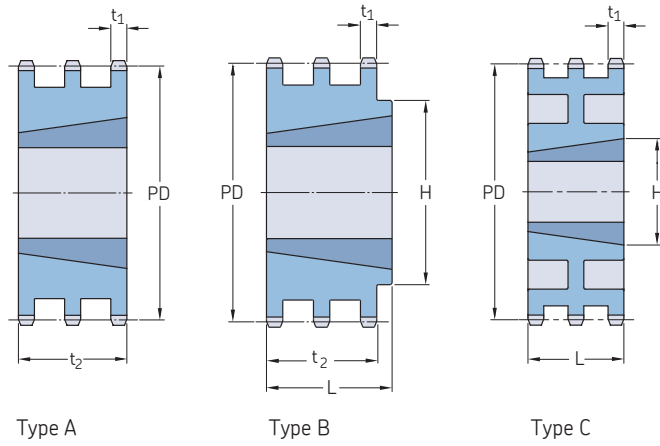
ISO 20B-3 · 31,75 mm pitch

Pitch	Number of teeth	Pitch diameter PD	Type	Dimensions Bore		Hub		Plate thickness		Mass	Designation
				Min.	Max.	H	L	t <sub>1</sub>	t <sub>2</sub>		
mm	–	mm	–	mm						kg	–
31,75	20	202,96	B	25	80	120	115	18,19	91,08	21,57	PHS 20B-3BH20
	21	213,03	B	25	92	140	115	18,19	91,08	23,36	PHS 20B-3BH21
	22	223,10	B	25	92	140	115	18,19	91,08	25,65	PHS 20B-3BH22
	23	233,17	B	25	92	140	115	18,19	91,08	27,90	PHS 20B-3BH23
	24	243,25	B	25	95	140	115	18,19	91,08	27,19	PHS 20B-3BH24
	25	253,32	B	25	95	140	115	18,19	91,08	27,90	PHS 20B-3BH25
	26	263,41	B	25	95	150	115	18,19	91,08	31,90	PHS 20B-3B26
	27	273,49	B	25	95	150	115	18,19	91,08	35,90	PHS 20B-3B27
	28	283,57	B	25	95	150	115	18,19	91,08	39,90	PHS 20B-3B28
	30	303,75	B	25	95	150	115	18,19	91,08	47,90	PHS 20B-3B30
	32	323,92	B	30	95	150	115	18,19	91,08	51,57	PHS 20B-3B32
	35	354,20	C	30	97	150	115	18,19	91,08	57,29	PHS 20B-3C35
	36	364,29	C	30	97	150	115	18,19	91,08	59,35	PHS 20B-3C36
	38	384,48	C	30	97	150	115	18,19	91,08	62,56	PHS 20B-3C38
	42	424,86	C	30	97	160	110	18,19	91,08	70,12	PHS 20B-3C42
	45	455,15	C	30	97	160	110	18,19	91,08	75,84	PHS 20B-3C45
	57	576,35	C	30	102	180	123	18,19	91,08	100,11	PHS 20B-3C57
	60	606,66	C	30	102	180	123	18,19	91,08	104,86	PHS 20B-3C60
	68	687,48	C	30	102	200	123	18,19	91,08	117,54	PHS 20B-3C68
	76	768,30	C	30	102	200	123	18,19	91,08	130,21	PHS 20B-3C76
80	808,71	C	30	102	200	123	18,19	91,08	136,55	PHS 20B-3C80	
95	960,28	C	30	102	200	123	18,19	91,08	160,31	PHS 20B-3C95	
114	1 152,27	C	30	102	200	126	18,19	91,08	190,41	PHS 20B-3C114	

Maximum bores can accommodate standard keyways. Larger bores are available where a shallow keyway is used or no keyway is required. All Type B or C sprockets, up to and including 25 tooth, are with hardened teeth as standard. For any additional size sprockets with hardened teeth, add "H" before the number of teeth, e.g. PHS 06B-3BH12.

**Metric sprockets, triplex, taper bushed**

ISO 12B-3 · 19,05 mm pitch | ISO 16B-3 · 25,40 mm pitch

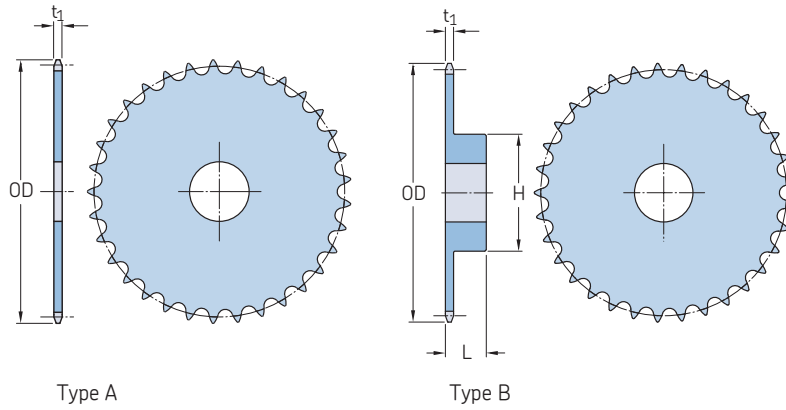


Pitch	Number of teeth	Pitch diameter PD	Type	Bushing number	Dimensions Bore		L	H	Plate thickness		Mass	Designation
					Min.	Max.			t <sub>1</sub>	t <sub>2</sub>		
mm	-	mm	-	-	mm						kg	-
19,05	17	103,67	A	2012	14	50	-	-	10,87	49,78	1,28	PHS 12B-3TBH17
	19	115,75	A	2517	16	65	-	-	10,87	49,78	2,02	PHS 12B-3TBH19
	21	127,82	A	2517	16	65	-	-	10,87	49,78	2,09	PHS 12B-3TBH21
	23	139,90	A	2517	16	65	-	-	10,87	49,78	3,00	PHS 12B-3TBH23
	25	152,00	A	3020	25	75	-	-	10,87	49,78	3,97	PHS 12B-3TBH25
	27	164,09	B	3020	25	75	140	51,0	10,87	49,78	3,83	PHS 12B-3TB27
	30	182,25	B	3020	25	75	140	51,0	10,87	49,78	5,72	PHS 12B-3TB30
	38	230,69	B	3020	25	75	140	51,0	10,87	49,78	7,76	PHS 12B-3TB38
	45	273,10	C	3020	25	75	140	51,0	10,87	49,78	10,04	PHS 12B-3TB45
	57	345,81	C	3020	25	75	140	51,0	10,87	49,78	14,42	PHS 12B-3TB57
	76	460,99	C	3020	25	75	140	51,0	10,87	49,78	25,50	PHS 12B-3TB76
	95	576,17	C	3030	25	75	140	76,0	10,87	49,78	36,58	PHS 12B-3TB95
	114	691,36	C	3030	25	75	140	76,0	10,87	49,78	47,66	PHS 12B-3TB114
	25,40	17	138,22	A	2517	16	65	-	-	15,82	79,58	4,20
19		154,33	B	3020	35	75	-	76,2	15,82	79,58	4,30	PHS 16B-3TBH19
21		170,43	B	3020	35	75	-	76,2	15,82	79,58	6,60	PHS 16B-3TBH21
23		186,53	B	3525	35	100	-	65,0	15,82	79,58	7,00	PHS 16B-3TBH23
25		202,66	B	3525	35	100	-	65,0	15,82	79,58	9,80	PHS 16B-3TBH25
27		218,79	B	3525	35	100	-	65,0	15,82	79,58	12,80	PHS 16B-3TB27
30		243,00	B	3525	35	100	-	65,0	15,82	79,58	18,00	PHS 16B-3TB30
38		307,59	B	3535	35	100	178	89,0	15,82	79,58	21,50	PHS 16B-3TB38
45		364,13	C	4040	40	115	216	102,0	15,82	79,58	33,50	PHS 16B-3TB45
57		461,07	C	4040	40	115	216	102,0	15,82	79,58	39,50	PHS 16B-3TB57
76		614,65	C	4040	40	115	216	102,0	15,82	79,58	59,50	PHS 16B-3TB76

Maximum bores can accommodate standard keyways. Larger bores are available where a shallow keyway is used or no keyway is required. All Type B or C sprockets, up to and including 25 tooth, are with hardened teeth as standard. For any additional size sprockets with hardened teeth, add "H" before the number of teeth, e.g. PHS 12B-3TBH17.

# ANSI sprockets, simplex, pilot bore

ANSI 25-1 · 6,35 mm (1/4") pitch

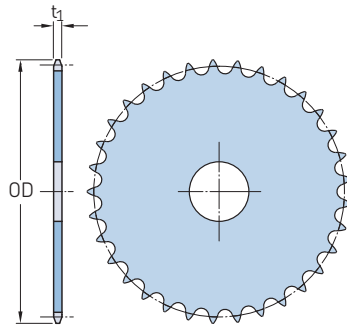


Pitch	Number of teeth	Outside diameter OD	Type	Dimensions		Hub		Plate thickness t <sub>1</sub>	Mass	Designation			
				Bore stock	Bore	H	L						
mm	in.	mm	–	mm	Min.	Max.	H	L	kg	–			
6,35	1/4	9	21,34	B	–	6,35	6,35	11,11	12,70	2,790	0,01	PHS 25-1B9	
		10	23,37	B	–	6,35	6,35	12,70	12,70	2,790	0,01	PHS 25-1B10	
		11	25,40	B	–	6,35	7,94	14,29	12,70	2,790	0,02	PHS 25-1B11	
		12	27,43	B	–	6,35	9,53	15,88	12,70	2,790	0,03	PHS 25-1B12	
		13	29,72	B	–	6,35	11,11	18,26	12,70	2,790	0,03	PHS 25-1B13	
		14	31,75	B	–	6,35	14,29	20,64	12,70	2,790	0,04	PHS 25-1B14	
		15	33,78	B	–	6,35	14,29	22,62	12,70	2,790	0,05	PHS 25-1B15	
		16	35,81	B	–	6,35	14,29	24,61	12,70	2,790	0,05	PHS 25-1B16	
		17	37,85	B	–	6,35	15,88	26,19	12,70	2,790	0,06	PHS 25-1B17	
		18	39,88	A	6,35	–	–	–	–	–	2,790	0,02	PHS 25-1A18
			39,88	B	–	6,35	19,05	28,58	12,70	2,790	0,07	PHS 25-1B18	
		19	41,91	A	6,35	–	–	–	–	–	2,790	0,02	PHS 25-1A19
			41,91	B	–	6,35	20,64	30,96	12,70	2,790	0,09	PHS 25-1B19	
		20	43,94	A	6,35	–	–	–	–	–	2,790	0,02	PHS 25-1A20
			43,94	B	–	6,35	22,23	32,54	15,88	2,790	0,11	PHS 25-1B20	
		21	45,97	A	9,53	–	–	–	–	–	2,790	0,02	PHS 25-1A21
			45,97	B	–	6,35	22,23	34,93	15,88	2,790	0,13	PHS 25-1B21	
		22	48,01	A	9,53	–	–	–	–	–	2,790	0,03	PHS 25-1A22
			48,01	B	–	6,35	23,81	36,51	15,88	2,790	0,14	PHS 25-1B22	
		23	50,04	A	9,53	–	–	–	–	–	2,790	0,03	PHS 25-1A23
			50,04	B	–	6,35	25,40	38,10	15,88	2,790	0,15	PHS 25-1B23	
		24	52,07	A	9,53	–	–	–	–	–	2,790	0,04	PHS 25-1A24
			52,07	B	–	9,53	25,40	38,10	15,88	2,790	0,15	PHS 25-1B24	
		25	54,10	A	9,53	–	–	–	–	–	2,790	0,04	PHS 25-1A25
			54,10	B	–	9,53	25,40	38,10	15,88	2,790	0,15	PHS 25-1B25	
		26	56,13	A	9,53	–	–	–	–	–	2,790	0,04	PHS 25-1A26
			56,13	B	–	9,53	25,40	38,10	15,88	2,790	0,16	PHS 25-1B26	
		28	60,20	A	9,53	–	–	–	–	–	2,790	0,05	PHS 25-1A28
60,20	B		–	9,53	25,40	38,10	15,88	2,790	0,16	PHS 25-1B28			
30	64,26	A	9,53	–	–	–	–	–	2,790	0,05	PHS 25-1A30		
	64,26	B	–	9,53	25,40	38,10	15,88	2,790	0,17	PHS 25-1B30			
32	68,33	A	9,53	–	–	–	–	–	2,790	0,06	PHS 25-1A32		
	68,33	B	–	9,53	25,40	38,10	15,88	2,790	0,18	PHS 25-1B32			
35	74,42	A	9,53	–	–	–	–	–	2,790	0,07	PHS 25-1A35		
36	76,45	A	9,53	–	–	–	–	–	2,790	0,08	PHS 25-1A36		
	76,45	B	–	9,53	25,40	38,10	19,05	2,790	0,23	PHS 25-1B36			
40	84,58	A	12,70	–	–	–	–	–	2,790	0,09	PHS 25-1A40		
	84,58	B	–	12,70	34,93	50,80	19,05	2,790	0,24	PHS 25-1B40			
42	88,65	A	12,70	–	–	–	–	–	2,790	0,11	PHS 25-1A42		

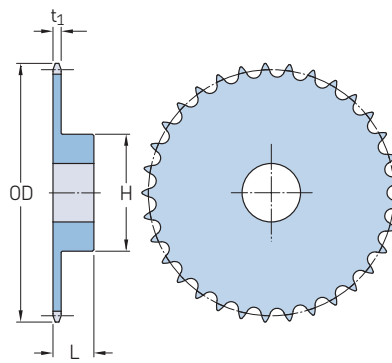
Maximum bores can accommodate standard keyways. Larger bores are available where a shallow keyway is used or no keyway is required. All Type B or C sprockets, up to and including 25 tooth, are with hardened teeth as standard. For any additional size sprockets with hardened teeth, add "H" before the number of teeth, e.g. PHS 25-1BH9.

# ANSI sprockets, simplex, pilot bore

ANSI 25-1 · 6,35 mm (1/4") pitch | ANSI 35-1 · 9,53 mm (3/8") pitch



Type A



Type B

Pitch	Number of teeth	Outside diameter OD	Type	Dimensions		Hub H	Hub L	Plate thickness t <sub>1</sub>	Mass	Designation	
				Bore stock	Bore						
mm	in.	mm		mm	Min.	Max.			kg		
6,35	1/4	45	A	12,70	-	-	-	2,790	0,11	PHS 25-1A45	
			B	-	12,70	34,93	50,80	19,05	2,790	0,25	PHS 25-1B45
	48	A	12,70	-	-	-	2,790	0,15	PHS 25-1A48		
		B	-	12,70	34,93	50,80	19,05	2,790	0,25	PHS 25-1B48	
	54	A	12,70	-	-	-	2,790	0,17	PHS 25-1A54		
		B	-	12,70	34,93	50,80	19,05	2,790	0,45	PHS 25-1B54	
	60	A	12,70	-	-	-	2,790	0,24	PHS 25-1A60		
		B	-	12,70	34,93	50,80	19,05	2,790	0,50	PHS 25-1B60	
	70	B	-	12,70	34,93	50,80	19,05	2,790	0,57	PHS 25-1B70	
		72	A	12,70	-	-	-	2,790	0,34	PHS 25-1A72	
	B		-	12,70	34,93	50,80	19,05	2,790	0,59	PHS 25-1B72	
	9,53	3/8	8	B	-	9,53	9,53	19,05	19,05	4,270	0,03
B				-	9,53	9,53	21,43	19,05	4,270	0,04	PHS 35-1BH9
B			-	9,53	14,29	24,61	19,05	4,270	0,06	PHS 35-1BH10	
B			-	9,53	14,29	26,99	19,05	4,270	0,08	PHS 35-1BH11	
B			-	12,70	14,29	30,96	19,05	4,270	0,09	PHS 35-1BH12	
B			-	12,70	17,46	31,75	19,05	4,270	0,10	PHS 35-1BH13	
B			-	12,70	22,23	31,75	19,05	4,270	0,11	PHS 35-1BH14	
15			A	12,70	-	-	-	4,270	0,05	PHS 35-1A15	
			B	-	12,70	22,23	34,13	19,05	4,270	0,13	PHS 35-1BH15
16			A	12,70	-	-	-	4,270	0,05	PHS 35-1A16	
			B	-	12,70	23,81	37,31	19,05	4,270	0,16	PHS 35-1BH16
17			A	12,70	-	-	-	4,270	0,05	PHS 35-1A17	
			B	-	12,70	26,99	40,48	19,05	4,270	0,19	PHS 35-1BH17
18			A	12,70	-	-	-	4,270	0,06	PHS 35-1A18	
			B	-	12,70	30,16	43,66	19,05	4,270	0,22	PHS 35-1BH18
19			A	12,70	-	-	-	4,270	0,07	PHS 35-1A19	
			B	-	12,70	31,75	46,83	19,05	4,270	0,24	PHS 35-1BH19
20			A	12,70	-	-	-	4,270	0,09	PHS 35-1A20	
			B	-	12,70	33,34	49,21	19,05	4,270	0,27	PHS 35-1BH20
21			A	12,70	-	-	-	4,270	0,09	PHS 35-1A21	
			B	-	12,70	34,93	50,80	22,23	4,270	0,36	PHS 35-1BH21
22			A	12,70	-	-	-	4,270	0,10	PHS 35-1A22	
			B	-	12,70	34,93	50,80	22,23	4,270	0,36	PHS 35-1BH22
23			A	12,70	-	-	-	4,270	0,11	PHS 35-1A23	
			B	-	12,70	34,93	50,80	22,23	4,270	0,37	PHS 35-1BH23
24	A	12,70	-	-	-	4,270	0,12	PHS 35-1A24			
	B	-	12,70	34,93	50,80	22,23	4,270	0,40	PHS 35-1BH24		
25	A	12,70	-	-	-	4,270	0,13	PHS 35-1A25			
	B	-	12,70	34,93	50,80	22,23	4,270	0,40	PHS 35-1BH25		

Maximum bores can accommodate standard keyways. Larger bores are available where a shallow keyway is used or no keyway is required. All Type B or C sprockets, up to and including 25 tooth, are with hardened teeth as standard. For any additional size sprockets with hardened teeth, add "H" before the number of teeth, e.g. PHS 25-1BH9.

# ANSI sprockets, simplex, pilot bore

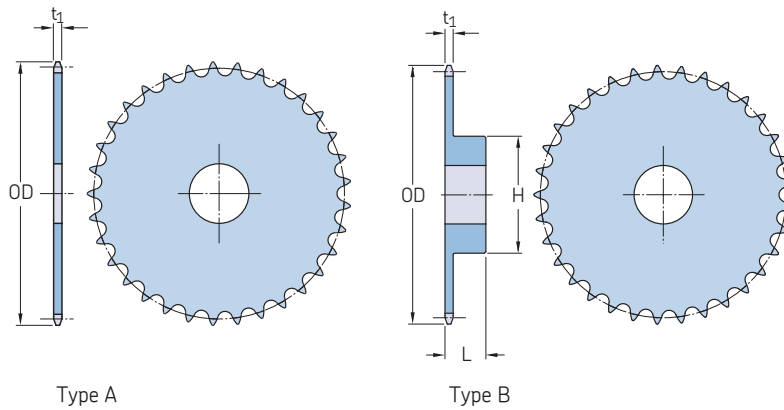
ANSI 35-1 · 9,53 mm (3/8") pitch | ANSI 41-1 · 12,70 mm (1/2") pitch

Pitch	Number of teeth	Outside diameter	Type	Dimensions		Hub	Plate thickness	Mass	Designation			
				Bore stock	Bore							
		OD			Min.	Max.	H	L	t <sub>1</sub>			
mm	in.	mm		mm					kg			
9,53	3/8	26	84,07	A	12,70	–	–	–	4,270	0,13	PHS 35-1A26	
			84,07	B	–	12,70	34,93	50,80	22,23	4,270	0,41	PHS 35-1B26
	27	87,12	A	12,70	–	–	–	–	4,270	0,15	PHS 35-1A27	
		87,12	B	–	12,70	34,93	50,80	22,23	4,270	0,43	PHS 35-1B27	
	28	90,17	A	12,70	–	–	–	–	4,270	0,15	PHS 35-1A28	
		90,17	B	–	12,70	34,93	50,80	22,23	4,270	0,43	PHS 35-1B28	
	30	96,27	A	12,70	–	–	–	–	4,270	0,21	PHS 35-1A30	
		96,27	B	–	12,70	34,93	50,80	22,23	4,270	0,46	PHS 35-1B30	
	32	102,36	A	15,88	–	–	–	–	4,270	0,21	PHS 35-1A32	
		102,36	B	–	12,70	34,93	50,80	22,23	4,270	0,56	PHS 35-1B32	
	35	111,51	A	15,88	–	–	–	–	4,270	0,27	PHS 35-1A35	
		111,51	B	–	15,88	38,10	57,15	22,23	4,270	0,68	PHS 35-1B35	
	36	114,55	A	15,88	–	–	–	–	4,270	0,28	PHS 35-1A36	
		114,55	B	–	15,88	38,10	57,15	22,23	4,270	0,71	PHS 35-1B36	
	40	126,75	A	15,08	–	–	–	–	4,270	0,32	PHS 35-1A40	
		126,75	B	–	15,88	38,10	57,15	25,40	4,270	0,73	PHS 35-1B40	
	42	132,84	A	15,08	–	–	–	–	4,270	0,35	PHS 35-1A42	
		132,84	B	–	15,88	38,10	57,15	25,40	4,270	0,76	PHS 35-1B42	
	45	141,99	A	15,08	–	–	–	–	4,270	0,40	PHS 35-1A45	
		141,99	B	–	15,88	38,10	57,15	25,40	4,270	0,81	PHS 35-1B45	
	48	151,13	A	15,08	–	–	–	–	4,270	0,55	PHS 35-1A48	
		151,13	B	–	15,88	38,10	57,15	25,40	4,270	0,85	PHS 35-1B48	
	54	169,16	A	15,08	–	–	–	–	4,270	0,60	PHS 35-1A54	
		169,16	B	–	15,88	38,10	57,15	25,40	4,270	1,00	PHS 35-1B54	
60	187,45	A	18,26	–	–	–	–	4,270	0,75	PHS 35-1A60		
	187,45	B	–	19,05	38,10	57,15	25,40	4,270	1,12	PHS 35-1B60		
70	217,93	A	18,26	–	–	–	–	4,270	1,04	PHS 35-1A70		
	217,93	B	–	19,05	38,10	57,15	25,40	4,270	1,42	PHS 35-1B70		
72	223,77	A	18,26	–	–	–	–	4,270	1,16	PHS 35-1A72		
	223,77	B	–	19,05	38,10	57,15	25,40	4,270	1,55	PHS 35-1B72		
80	248,16	A	18,26	–	–	–	–	4,270	1,43	PHS 35-1A80		
	248,16	B	–	19,05	38,10	57,15	25,40	4,270	1,73	PHS 35-1B80		
84	260,35	A	18,26	–	–	–	–	4,270	1,48	PHS 35-1A84		
	260,35	B	–	19,05	38,10	57,15	25,40	4,270	1,92	PHS 35-1B84		
96	296,67	A	18,26	–	–	–	–	4,270	2,10	PHS 35-1A96		
	296,67	B	–	19,05	38,10	57,15	25,40	4,270	2,34	PHS 35-1B96		
112	345,19	A	18,26	–	–	–	–	4,270	2,29	PHS 35-1A112		
	345,19	B	–	19,05	38,10	57,15	25,40	4,270	3,04	PHS 35-1B112		
12,70	1/2	6	29,72	B	–	9,53	9,53	16,67	22,23	5,770	0,03	PHS 41-1BH6
		7	34,04	B	–	9,53	9,53	19,05	22,23	5,770	0,05	PHS 41-1BH7
		8	38,35	B	–	12,70	12,70	25,00	22,23	5,770	0,09	PHS 41-1BH8
		9	42,42	B	–	12,70	15,88	28,58	22,23	5,770	0,09	PHS 41-1BH9
		10	46,74	B	–	12,70	19,05	31,75	22,23	5,770	0,12	PHS 41-1BH10
		11	50,80	B	–	12,70	22,23	36,51	22,23	5,770	0,16	PHS 41-1BH11
		12	55,12	B	–	12,70	23,81	39,69	22,23	5,770	0,20	PHS 41-1BH12
		13	59,18	B	–	12,70	25,40	39,69	22,23	5,770	0,23	PHS 41-1BH13
		14	63,25	B	–	12,70	31,75	44,45	22,23	5,770	0,26	PHS 41-1BH14
		15	67,31	A	15,88	–	–	–	–	5,770	0,13	PHS 41-1A15
			67,31	B	–	12,70	33,34	55,56	22,23	5,770	0,33	PHS 41-1B15
		16	71,37	A	15,88	–	–	–	–	5,770	0,15	PHS 41-1A16
			71,37	B	–	15,88	34,93	52,39	22,23	5,770	0,41	PHS 41-1B16
		17	75,44	A	15,88	–	–	–	–	5,770	0,16	PHS 41-1A17
			75,44	B	–	15,88	38,10	56,75	25,40	5,770	0,49	PHS 41-1B17
		18	79,76	A	15,88	–	–	–	–	5,770	0,20	PHS 41-1A18
			79,76	B	–	15,88	41,28	60,33	25,40	5,770	0,57	PHS 41-1B18
		19	83,82	A	15,88	–	–	–	–	5,770	0,21	PHS 41-1A19

Maximum bores can accommodate standard keyways. Larger bores are available where a shallow keyway is used or no keyway is required. All Type B or C sprockets, up to and including 25 tooth, are with hardened teeth as standard. For any additional size sprockets with hardened teeth, add "H" before the number of teeth, e.g. PHS 25-1BH9.

# ANSI sprockets, simplex, pilot bore

ANSI 41-1 · 12,70 mm (1/2") pitch



Pitch	Number of teeth	Outside diameter	Type	Dimensions		Hub	Plate thickness	Mass	Designation		
				Bore stock	Bore						
mm	in.	mm	mm	Min.	Max.	H	L	t <sub>1</sub>	kg		
12,70	19	83,82	B	–	15,88	44,45	62,71	25,40	5,770	0,68	PHS 41-1BH19
		87,88	A	15,88	–	–	–	–	5,770	0,24	PHS 41-1A20
	87,88	B	–	15,88	47,63	69,85	25,40	5,770	0,74	PHS 41-1BH20	
	21	91,95	A	15,88	–	–	–	–	5,770	0,27	PHS 41-1A21
		91,95	B	–	15,88	47,63	73,03	25,40	5,770	0,82	PHS 41-1BH21
	22	96,01	A	15,88	–	–	–	–	5,770	0,30	PHS 41-1A22
		96,01	B	–	15,88	50,80	76,20	25,40	5,770	0,88	PHS 41-1BH22
	23	100,08	A	15,88	–	–	–	–	5,770	0,33	PHS 41-1A23
		100,08	B	–	15,88	57,15	80,96	25,40	5,770	1,02	PHS 41-1BH23
	24	104,14	A	15,88	–	–	–	–	5,770	0,37	PHS 41-1A24
		104,14	B	–	15,88	57,15	82,55	25,40	5,770	1,06	PHS 41-1BH24
	25	108,20	A	15,88	–	–	–	–	5,770	0,40	PHS 41-1A25
		108,20	B	–	15,88	57,15	82,55	25,40	5,770	1,12	PHS 41-1BH25
	26	112,27	A	15,88	–	–	–	–	5,770	0,43	PHS 41-1A26
		112,27	B	–	15,88	57,15	82,55	25,40	5,770	1,13	PHS 41-1BH26
	27	116,33	A	15,88	–	–	–	–	5,770	0,45	PHS 41-1A27
		116,33	B	–	15,88	57,15	82,55	25,40	5,770	1,16	PHS 41-1BH27
	28	120,40	A	15,88	–	–	–	–	5,770	0,49	PHS 41-1A28
		120,40	B	–	15,88	57,15	82,55	25,40	5,770	1,20	PHS 41-1BH28
	30	128,52	A	15,08	–	–	–	–	5,770	0,54	PHS 41-1A30
		128,52	B	–	15,88	57,15	82,55	25,40	5,770	1,27	PHS 41-1BH30
	32	136,65	A	15,08	–	–	–	–	5,770	0,65	PHS 41-1A32
		136,65	B	–	15,88	57,15	82,55	25,40	5,770	1,34	PHS 41-1BH32
	35	148,84	A	15,08	–	–	–	–	5,770	0,77	PHS 41-1A35
		148,84	B	–	15,88	60,33	82,55	25,40	5,770	1,42	PHS 41-1BH35
	36	152,91	A	15,08	–	–	–	–	5,770	0,83	PHS 41-1A36
		152,91	B	–	15,88	60,33	82,55	25,40	5,770	1,51	PHS 41-1BH36
	40	168,91	A	18,26	–	–	–	–	5,770	1,01	PHS 41-1A40
		168,91	B	–	19,05	60,33	82,55	26,99	5,770	1,84	PHS 41-1BH40
	42	177,04	A	18,26	–	–	–	–	5,770	1,13	PHS 41-1A42
		177,04	B	–	19,05	60,33	88,90	26,99	5,770	1,86	PHS 41-1BH42
	45	189,23	A	18,26	–	–	–	–	5,770	1,14	PHS 41-1A45
189,23		B	–	19,05	60,33	88,90	26,99	5,770	1,90	PHS 41-1BH45	
48	201,42	A	18,26	–	–	–	–	5,770	1,32	PHS 41-1A48	
	201,42	B	–	19,05	60,33	88,90	26,99	5,770	2,23	PHS 41-1BH48	
54	225,55	A	18,26	–	–	–	–	5,770	1,61	PHS 41-1A54	
	225,55	B	–	19,05	60,33	88,90	26,99	5,770	2,58	PHS 41-1BH54	
60	249,94	A	18,26	–	–	–	–	5,770	2,09	PHS 41-1A60	
	249,94	B	–	19,05	60,33	88,90	26,99	5,770	3,08	PHS 41-1BH60	
70	290,32	A	18,26	–	–	–	–	5,770	2,82	PHS 41-1A70	
	290,32	B	–	19,05	69,85	101,60	30,16	5,770	4,33	PHS 41-1B70	
72	298,45	A	18,26	–	–	–	–	5,770	2,87	PHS 41-1A72	
	298,45	B	–	19,05	69,85	101,60	30,16	5,770	4,37	PHS 41-1B72	

Maximum bores can accommodate standard keyways. Larger bores are available where a shallow keyway is used or no keyway is required. All Type B or C sprockets, up to and including 25 tooth, are with hardened teeth as standard. For any additional size sprockets with hardened teeth, add "H" before the number of teeth, e.g. PHS 25-1BH9.



# ANSI sprockets, simplex, pilot bore

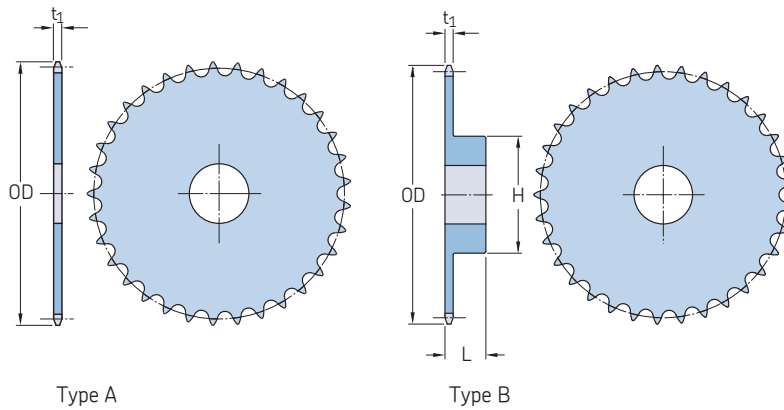
ANSI 41-1 · 12,70 mm (1/2") pitch | ANSI 40-1 · 12,70 mm (1/2") pitch

Pitch		Number of teeth	Outside diameter OD	Type	Dimensions		Hub		Plate thickness t <sub>1</sub>	Mass	Designation	
mm	in.				Bore stock	Bore	H	L				kg
		-	mm	-	mm	Min.	Max.					
12,70	1/2	80	330,96	A	18,26	-	-	-	5,770	3,84	PHS 41-1A80	
			330,96	B	-	19,05	69,85	101,60	30,16	5,770	5,23	PHS 41-1B80
		84	346,96	A	18,26	-	-	-	-	5,770	4,14	PHS 41-1A84
			346,96	B	-	19,05	69,85	101,60	30,16	5,770	5,53	PHS 41-1B84
		96	395,48	A	23,81	-	-	-	-	5,770	5,37	PHS 41-1A96
			395,48	B	-	25,40	69,85	101,60	30,16	5,770	6,74	PHS 41-1B96
		112	460,25	A	23,81	-	-	-	-	5,770	7,18	PHS 41-1A112
			460,25	B	-	25,40	69,85	101,60	30,16	5,770	8,69	PHS 41-1B112
		8	38,10	B	-	12,70	12,70	24,61	22,23	7,210	0,08	PHS 40-1BH8
		9	42,42	B	-	12,70	14,29	26,99	22,23	7,210	0,09	PHS 40-1BH9
		10	46,74	B	-	12,70	19,05	31,75	22,23	7,210	0,12	PHS 40-1BH10
		11	50,80	B	-	12,70	22,23	34,93	22,23	7,210	0,16	PHS 40-1BH11
		12	55,12	A	12,70	-	-	-	-	7,210	0,08	PHS 40-1A12
			55,12	B	-	12,70	25,40	39,69	22,23	7,210	0,20	PHS 40-1B12
		13	59,18	A	12,70	-	-	-	-	7,210	0,10	PHS 40-1A13
			59,18	B	-	12,70	26,99	39,69	22,23	7,210	0,23	PHS 40-1B13
		14	63,25	A	12,70	-	-	-	-	7,210	0,12	PHS 40-1A14
			63,25	B	-	12,70	28,58	42,86	22,23	7,210	0,27	PHS 40-1B14
		15	67,31	A	15,88	-	-	-	-	7,210	0,14	PHS 40-1A15
			67,31	B	-	12,70	31,75	46,04	22,23	7,210	0,32	PHS 40-1B15
		16	71,37	A	15,88	-	-	-	-	7,210	0,15	PHS 40-1A16
			71,37	B	-	15,88	34,93	50,80	22,23	7,210	0,36	PHS 40-1B16
		17	75,69	A	15,88	-	-	-	-	7,210	0,16	PHS 40-1A17
			75,69	B	-	15,88	36,51	53,98	25,40	7,210	0,47	PHS 40-1B17
		18	79,76	A	15,88	-	-	-	-	7,210	0,20	PHS 40-1A18
			79,76	B	-	15,88	38,10	58,74	25,40	7,210	0,55	PHS 40-1B18
		19	83,82	A	15,88	-	-	-	-	7,210	0,21	PHS 40-1A19
			83,82	B	-	15,88	44,45	63,50	25,40	7,210	0,65	PHS 40-1B19
		20	87,88	A	15,88	-	-	-	-	7,210	0,25	PHS 40-1A20
			87,88	B	-	15,88	47,63	66,68	25,40	7,210	0,71	PHS 40-1B20
		21	91,95	A	15,88	-	-	-	-	7,210	0,26	PHS 40-1A21
			91,95	B	-	15,88	47,63	69,85	25,40	7,210	0,78	PHS 40-1B21
		22	96,01	A	15,88	-	-	-	-	7,210	0,30	PHS 40-1A22
			96,01	B	-	15,88	47,63	73,03	25,40	7,210	0,89	PHS 40-1B22
23	100,08	A	15,88	-	-	-	-	7,210	0,33	PHS 40-1A23		
	100,08	B	-	15,88	50,80	76,20	25,40	7,210	0,97	PHS 40-1B23		
24	104,14	A	15,88	-	-	-	-	7,210	0,37	PHS 40-1A24		
	104,14	B	-	15,88	57,15	82,55	25,40	7,210	1,09	PHS 40-1B24		
25	108,20	A	15,88	-	-	-	-	7,210	0,40	PHS 40-1A25		
	108,20	B	-	15,88	57,15	82,55	25,40	7,210	1,15	PHS 40-1B25		
26	112,27	A	15,88	-	-	-	-	7,210	0,43	PHS 40-1A26		
	112,27	B	-	15,88	57,15	82,55	25,40	7,210	1,17	PHS 40-1B26		
27	116,33	A	15,88	-	-	-	-	7,210	0,44	PHS 40-1A27		
	116,33	B	-	15,88	57,15	82,55	25,40	7,210	1,21	PHS 40-1B27		
28	120,40	A	15,88	-	-	-	-	7,210	0,50	PHS 40-1A28		
	120,40	B	-	15,88	57,15	82,55	25,40	7,210	1,24	PHS 40-1B28		
29	124,46	A	15,08	-	-	-	-	7,210	0,55	PHS 40-1A29		
	124,46	B	-	15,88	57,15	82,55	25,40	7,210	1,27	PHS 40-1B29		
30	128,52	A	15,08	-	-	-	-	7,210	0,57	PHS 40-1A30		
	128,52	B	-	15,88	57,15	82,55	25,40	7,210	1,35	PHS 40-1B30		
31	132,59	A	15,08	-	-	-	-	7,210	0,64	PHS 40-1A31		
	132,59	B	-	15,88	57,15	82,55	25,40	7,210	1,41	PHS 40-1B31		
32	136,65	A	15,08	-	-	-	-	7,210	0,67	PHS 40-1A32		
	136,65	B	-	15,88	57,15	82,55	25,40	7,210	1,43	PHS 40-1B32		
33	140,72	A	15,08	-	-	-	-	7,210	0,71	PHS 40-1A33		
	140,72	B	-	15,88	57,15	82,55	25,40	7,210	1,46	PHS 40-1B33		
34	144,78	A	15,08	-	-	-	-	7,210	0,74	PHS 40-1A34		
	144,78	B	-	15,88	57,15	82,55	25,40	7,210	1,50	PHS 40-1B34		

Maximum bores can accommodate standard keyways. Larger bores are available where a shallow keyway is used or no keyway is required. All Type B or C sprockets, up to and including 25 tooth, are with hardened teeth as standard. For any additional size sprockets with hardened teeth, add "H" before the number of teeth, e.g. PHS 25-1BH9.

# ANSI sprockets, simplex, pilot bore

ANSI 40-1 · 12,70 mm (1/2") pitch



Pitch	Number of teeth	Outside diameter	Type	Dimensions		Hub	Plate thickness		Mass	Designation	
				Bore stock	Bore		H	L			t <sub>1</sub>
mm	in.	mm		mm	Min.	Max.	H	L	kg		
12,70	1/2	35	A	15,08	–	–	–	–	7,210	0,77	PHS 40-1A35
			B	–	15,88	57,15	82,55	25,40	7,210	1,57	PHS 40-1B35
	36	A	15,08	–	–	–	–	7,210	0,83	PHS 40-1A36	
		B	–	15,88	57,15	82,55	25,40	7,210	1,62	PHS 40-1B36	
	37	A	15,08	–	–	–	–	7,210	0,87	PHS 40-1A37	
		B	–	15,88	57,15	82,55	25,40	7,210	1,64	PHS 40-1B37	
	38	A	15,08	–	–	–	–	7,210	0,91	PHS 40-1A38	
		B	–	15,88	57,15	82,55	25,40	7,210	1,68	PHS 40-1B38	
	39	A	15,08	–	–	–	–	7,210	0,92	PHS 40-1A39	
		B	–	15,88	57,15	82,55	25,40	7,210	1,71	PHS 40-1B39	
	40	A	18,26	–	–	–	–	7,210	1,01	PHS 40-1A40	
		B	–	19,05	60,33	88,90	28,58	7,210	2,13	PHS 40-1B40	
	41	A	18,26	–	–	–	–	7,210	1,10	PHS 40-1A41	
		B	–	19,05	60,33	88,90	28,58	7,210	2,16	PHS 40-1B41	
	42	A	18,26	–	–	–	–	7,210	1,13	PHS 40-1A42	
		B	–	19,05	60,33	88,90	28,58	7,210	2,19	PHS 40-1B42	
	43	A	18,26	–	–	–	–	7,210	1,27	PHS 40-1A43	
		B	–	19,05	60,33	88,90	28,58	7,210	2,32	PHS 40-1B43	
	44	A	18,26	–	–	–	–	7,210	1,29	PHS 40-1A44	
		B	–	19,05	60,33	88,90	28,58	7,210	2,34	PHS 40-1B44	
	45	A	18,26	–	–	–	–	7,210	1,43	PHS 40-1A45	
		B	–	19,05	60,33	88,90	28,58	7,210	2,40	PHS 40-1B45	
	46	A	18,26	–	–	–	–	7,210	1,48	PHS 40-1A46	
		B	–	19,05	60,33	88,90	28,58	7,210	2,53	PHS 40-1B46	
	47	A	18,26	–	–	–	–	7,210	1,51	PHS 40-1A47	
		B	–	19,05	60,33	88,90	28,58	7,210	2,47	PHS 40-1B47	
	48	A	18,26	–	–	–	–	7,210	1,46	PHS 40-1A48	
		B	–	19,05	60,33	88,90	28,58	7,210	2,65	PHS 40-1B48	
	49	A	18,26	–	–	–	–	7,210	1,56	PHS 40-1A49	
		B	–	19,05	60,33	88,90	28,58	7,210	2,68	PHS 40-1B49	
	50	A	18,26	–	–	–	–	7,210	1,64	PHS 40-1A50	
		B	–	19,05	60,33	88,90	28,58	7,210	2,70	PHS 40-1B50	
51	A	18,26	–	–	–	–	7,210	1,79	PHS 40-1A51		
	B	–	19,05	60,33	88,90	28,58	7,210	2,76	PHS 40-1B51		
52	A	18,26	–	–	–	–	7,210	1,85	PHS 40-1A52		
	B	–	19,05	60,33	88,90	28,58	7,210	2,85	PHS 40-1B52		
53	A	18,26	–	–	–	–	7,210	1,83	PHS 40-1A53		
	B	–	19,05	60,33	88,90	28,58	7,210	2,87	PHS 40-1B53		
54	A	18,26	–	–	–	–	7,210	2,01	PHS 40-1A54		
	B	–	19,05	60,33	88,90	28,58	7,210	2,91	PHS 40-1B54		
55	A	18,26	–	–	–	–	7,210	2,06	PHS 40-1A55		
	B	–	19,05	60,33	88,90	28,58	7,210	2,93	PHS 40-1B55		
56		233,68	A	18,26	–	–	–	–	7,210	2,20	PHS 40-1A56

Maximum bores can accommodate standard keyways. Larger bores are available where a shallow keyway is used or no keyway is required. All Type B or C sprockets, up to and including 25 tooth, are with hardened teeth as standard. For any additional size sprockets with hardened teeth, add "H" before the number of teeth, e.g. PHS 25-1BH9.

# ANSI sprockets, simplex, pilot bore

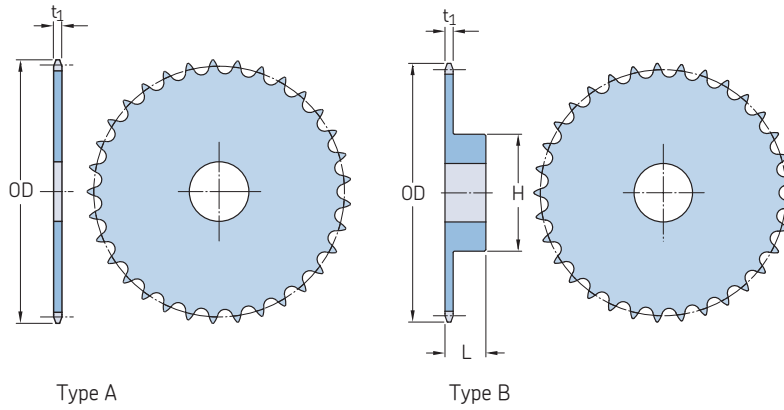
ANSI 40-1 · 12,70 mm (1/2") pitch | ANSI 50-1 · 15,88 mm (5/8") pitch

Pitch		Number of teeth	Outside diameter OD	Type	Dimensions			Hub		Plate thickness t <sub>1</sub>	Mass kg	Designation
mm	in.				Bore stock	Bore Min.	Bore Max.	H	L			
12,70	1/2	56	233,68	B	–	19,05	60,33	88,90	28,58	7,210	3,13	PHS 40-1B56
				A	18,26	–	–	–	–	7,210	2,27	PHS 40-1A57
		57	237,74 237,74	B	–	19,05	60,33	88,90	28,58	7,210	3,18	PHS 40-1B57
				A	18,26	–	–	–	–	7,210	2,32	PHS 40-1A58
		58	241,81 241,81	B	–	19,05	60,33	88,90	28,58	7,210	3,34	PHS 40-1B58
				A	18,26	–	–	–	–	7,210	2,40	PHS 40-1A59
		59	245,87 245,87	B	–	19,05	60,33	88,90	28,58	7,210	3,38	PHS 40-1B59
				A	18,26	–	–	–	–	7,210	2,49	PHS 40-1A60
		60	249,94 249,94	B	–	19,05	60,33	88,90	28,58	7,210	3,57	PHS 40-1B60
				A	18,26	–	–	–	–	7,210	2,49	PHS 40-1A60
		70	290,32 290,32	B	–	19,05	69,85	101,60	31,75	7,210	4,99	PHS 40-1B70
				A	18,26	–	–	–	–	7,210	3,28	PHS 40-1A70
		72	298,45 298,45	B	–	19,05	69,85	101,60	31,75	7,210	5,22	PHS 40-1B72
				A	18,26	–	–	–	–	7,210	3,51	PHS 40-1A72
		80	330,96 330,96	B	–	19,05	69,85	101,60	31,75	7,210	6,08	PHS 40-1B80
				A	18,26	–	–	–	–	7,210	4,63	PHS 40-1A80
		84	346,96 346,96	B	–	19,05	69,85	101,60	31,75	7,210	6,37	PHS 40-1B84
				A	18,26	–	–	–	–	7,210	4,57	PHS 40-1A84
		96	395,48 395,48	B	–	25,40	69,85	101,60	31,75	7,210	7,97	PHS 40-1B96
				A	23,81	–	–	–	–	7,210	5,51	PHS 40-1A96
112	460,25 460,25	B	–	25,40	69,85	101,60	31,75	7,210	10,23	PHS 40-1B112		
		A	23,81	–	–	–	–	7,210	9,07	PHS 40-1A112		
15,88	5/8	8	47,75	B	–	15,88	15,88	28,58	25,40	8,710	0,11	PHS 50-1BH8
				B	–	15,88	19,05	34,93	25,40	8,710	0,16	PHS 50-1BH9
		9	53,09	B	–	15,88	22,23	39,69	25,40	8,710	0,22	PHS 50-1BH10
				B	–	15,88	25,40	44,45	25,40	8,710	0,29	PHS 50-1BH11
		12	68,83 68,83	B	–	15,88	31,75	50,40	25,40	8,710	0,38	PHS 50-1BH12
				A	15,88	–	–	–	–	8,710	0,15	PHS 50-1A12
		13	73,91 73,91	B	–	15,88	33,34	47,63	25,40	8,710	0,40	PHS 50-1BH13
				A	15,88	–	–	–	–	8,710	0,19	PHS 50-1A13
		14	78,99 78,99	B	–	15,88	36,51	53,98	25,40	8,710	0,51	PHS 50-1BH14
				A	15,88	–	–	–	–	8,710	0,23	PHS 50-1A14
		15	84,33 84,33	B	–	15,88	38,10	60,33	25,40	8,710	0,61	PHS 50-1BH15
				A	15,88	–	–	–	–	8,710	0,24	PHS 50-1A15
		16	89,41 89,41	B	–	15,88	44,45	63,50	25,40	8,710	0,68	PHS 50-1BH16
				A	15,88	–	–	–	–	8,710	0,31	PHS 50-1A16
		17	94,49 94,49	B	–	15,88	47,63	68,26	25,40	8,710	0,79	PHS 50-1BH17
				A	15,88	–	–	–	–	8,710	0,34	PHS 50-1A17
		18	99,57 99,57	B	–	15,88	47,63	73,03	25,40	8,710	0,91	PHS 50-1BH18
				A	15,88	–	–	–	–	8,710	0,39	PHS 50-1A18
		19	104,65 104,65	B	–	15,88	50,80	76,20	25,40	8,710	1,01	PHS 50-1BH19
				A	15,88	–	–	–	–	8,710	0,43	PHS 50-1A19
		20	109,73 109,73	B	–	19,05	50,80	76,20	25,40	8,710	1,03	PHS 50-1BH20
				A	19,05	–	–	–	–	8,710	0,48	PHS 50-1A20
		21	114,81 114,81	B	–	19,05	50,80	76,20	25,40	8,710	1,09	PHS 50-1BH21
				A	19,05	–	–	–	–	8,710	0,51	PHS 50-1A21
		22	119,89 119,89	B	–	19,05	50,80	76,20	25,40	8,710	1,16	PHS 50-1BH22
				A	19,05	–	–	–	–	8,710	0,59	PHS 50-1A22
		23	124,97 124,97	B	–	19,05	50,80	76,20	25,40	8,710	1,21	PHS 50-1BH23
A	19,05			–	–	–	–	8,710	0,65	PHS 50-1A23		
24	130,05 130,05	B	–	19,05	50,80	76,20	31,75	8,710	1,50	PHS 50-1BH24		
		A	18,26	–	–	–	–	8,710	0,68	PHS 50-1A24		
25	135,13 135,13	B	–	19,05	50,80	76,20	31,75	8,710	1,54	PHS 50-1BH25		
		A	18,26	–	–	–	–	8,710	0,73	PHS 50-1A25		
26	140,21 140,21	B	–	19,05	50,80	76,20	31,75	8,710	1,56	PHS 50-1BH26		
		A	18,26	–	–	–	–	8,710	0,78	PHS 50-1A26		
27	145,29 145,29	B	–	19,05	50,80	76,20	31,75	8,710	1,70	PHS 50-1BH27		
		A	18,26	–	–	–	–	8,710	0,89	PHS 50-1A27		

Maximum bores can accommodate standard keyways. Larger bores are available where a shallow keyway is used or no keyway is required. All Type B or C sprockets, up to and including 25 tooth, are with hardened teeth as standard. For any additional size sprockets with hardened teeth, add "H" before the number of teeth, e.g. PHS 25-1BH9.

# ANSI sprockets, simplex, pilot bore

ANSI 50-1 · 15,88 mm ( $\frac{5}{8}$ " pitch)



Pitch	Number of teeth	Outside diameter	Type	Dimensions		Hub	Plate thickness	Mass	Designation		
				Bore stock	Bore						
		OD			Min.	Max.	H	L	t <sub>1</sub>		
mm	in.	mm		mm					kg		
15,88	5/8	28	A	18,26	-	-	-	-	8,710	0,93	PHS 50-1A28
			B	-	19,05	50,80	76,20	31,75	8,710	1,72	PHS 50-1B28
	29	A	155,45	18,26	-	-	-	-	8,710	1,07	PHS 50-1A29
		B	155,45	-	19,05	50,80	76,20	31,75	8,710	1,84	PHS 50-1B29
	30	A	160,53	18,26	-	-	-	-	8,710	1,15	PHS 50-1A30
		B	160,53	-	19,05	57,15	82,55	31,75	8,710	2,07	PHS 50-1B30
	31	A	165,61	18,26	-	-	-	-	8,710	1,27	PHS 50-1A31
		B	165,61	-	19,05	57,15	82,55	31,75	8,710	2,15	PHS 50-1B31
	32	A	170,69	18,26	-	-	-	-	8,710	1,23	PHS 50-1A32
		B	170,69	-	19,05	57,15	82,55	31,75	8,710	2,25	PHS 50-1B32
	33	A	175,77	18,26	-	-	-	-	8,710	1,42	PHS 50-1A33
		B	175,77	-	19,05	57,15	82,55	31,75	8,710	2,36	PHS 50-1B33
	34	A	180,85	18,26	-	-	-	-	8,710	1,45	PHS 50-1A34
		B	180,85	-	19,05	57,15	82,55	31,75	8,710	2,33	PHS 50-1B34
	35	A	185,93	18,26	-	-	-	-	8,710	1,51	PHS 50-1A35
		B	185,93	-	19,05	57,15	82,55	31,75	8,710	2,47	PHS 50-1B35
	36	A	191,01	18,26	-	-	-	-	8,710	1,73	PHS 50-1A36
		B	191,01	-	19,05	57,15	82,55	31,75	8,710	2,56	PHS 50-1B36
	37	A	196,09	18,26	-	-	-	-	8,710	1,81	PHS 50-1A37
		B	196,09	-	19,05	57,15	82,55	31,75	8,710	2,68	PHS 50-1B37
38	A	201,17	18,26	-	-	-	-	8,710	1,88	PHS 50-1A38	
	B	201,17	-	19,05	57,15	82,55	31,75	8,710	2,76	PHS 50-1B38	
39	A	206,25	18,26	-	-	-	-	8,710	2,00	PHS 50-1A39	
	B	206,25	-	19,05	57,15	82,55	31,75	8,710	2,86	PHS 50-1B39	
40	A	211,33	18,26	-	-	-	-	8,710	2,02	PHS 50-1A40	
	B	211,33	-	19,05	57,15	82,55	31,75	8,710	2,95	PHS 50-1B40	
41	A	216,41	18,26	-	-	-	-	8,710	2,20	PHS 50-1A41	
	B	216,41	-	19,05	57,15	82,55	31,75	8,710	3,01	PHS 50-1B41	
42	A	221,49	18,26	-	-	-	-	8,710	2,26	PHS 50-1A42	
	B	221,49	-	19,05	57,15	82,55	31,75	8,710	3,16	PHS 50-1B42	
43	A	226,31	18,26	-	-	-	-	8,710	2,38	PHS 50-1A43	
	B	226,31	-	19,05	57,15	82,55	31,75	8,710	3,20	PHS 50-1B43	
44	A	231,39	18,26	-	-	-	-	8,710	2,46	PHS 50-1A44	
	B	231,39	-	19,05	57,15	82,55	31,75	8,710	3,44	PHS 50-1B44	
45	A	236,47	18,26	-	-	-	-	8,710	2,69	PHS 50-1A45	
	B	236,47	-	19,05	63,50	95,25	31,75	8,710	3,89	PHS 50-1B45	
46	A	241,55	23,81	-	-	-	-	8,710	2,91	PHS 50-1A46	
	B	241,55	-	25,40	63,50	95,25	31,75	8,710	3,73	PHS 50-1B46	
47	A	246,63	23,81	-	-	-	-	8,710	2,95	PHS 50-1A47	
	B	246,63	-	25,40	63,50	95,25	31,75	8,710	3,85	PHS 50-1B47	
48	A	251,71	23,81	-	-	-	-	8,710	2,98	PHS 50-1A48	
	B	251,71	-	25,40	63,50	95,25	31,75	8,710	4,21	PHS 50-1B48	
49		256,79	A	23,81	-	-	-	8,710	3,20	PHS 50-1A49	

Maximum bores can accommodate standard keyways. Larger bores are available where a shallow keyway is used or no keyway is required. All Type B or C sprockets, up to and including 25 tooth, are with hardened teeth as standard. For any additional size sprockets with hardened teeth, add "H" before the number of teeth, e.g. PHS 25-1BH9.

# ANSI sprockets, simplex, pilot bore

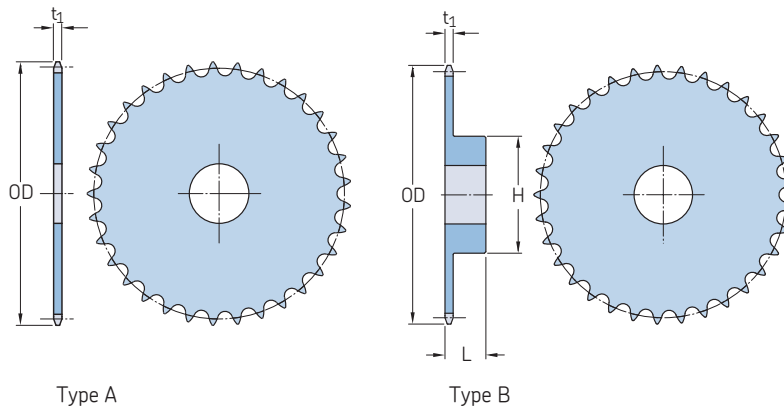
ANSI 50-1 · 15,88 mm (5/8") pitch | ANSI 60-1 · 19,05 mm (3/4") pitch

Pitch		Number of teeth	Outside diameter OD	Type	Dimensions Bore stock	Bore		Hub		Plate thickness t <sub>1</sub>	Mass kg	Designation		
mm	in.					Min.	Max.	H	L					
15,88	5/8	49	256,79	B	–	25,40	63,50	95,25	31,75	8,710	4,18	PHS 50-1B49		
		50	261,87 261,87	A B	23,81 –	– 25,40	– 63,50	– 95,25	– 31,75	8,710 8,710	3,22 4,48	PHS 50-1A50 PHS 50-1B50		
		51	266,95 266,95	A B	23,81 –	– 25,40	– 63,50	– 95,25	– 31,75	8,710 8,710	3,32 4,40	PHS 50-1A51 PHS 50-1B51		
		52	272,03 272,03	A B	23,81 –	– 25,40	– 63,50	– 95,25	– 31,75	8,710 8,710	3,62 4,64	PHS 50-1A52 PHS 50-1B52		
		53	277,11 277,11	A B	23,81 –	– 25,40	– 63,50	– 95,25	– 31,75	8,710 8,710	3,67 4,75	PHS 50-1A53 PHS 50-1B53		
		54	282,19 282,19	A B	23,81 –	– 25,40	– 63,50	– 95,25	– 31,75	8,710 8,710	3,76 4,99	PHS 50-1A54 PHS 50-1B54		
		55	287,27 287,27	A B	23,81 –	– 25,40	– 63,50	– 95,25	– 31,75	8,710 8,710	3,88 4,96	PHS 50-1A55 PHS 50-1B55		
		56	292,10 292,10	A B	23,81 –	– 25,40	– 63,50	– 95,25	– 31,75	8,710 8,710	4,04 5,22	PHS 50-1A56 PHS 50-1B56		
		57	297,18 297,18	A B	23,81 –	– 25,40	– 63,50	– 95,25	– 31,75	8,710 8,710	4,25 5,44	PHS 50-1A57 PHS 50-1B57		
		58	302,26 302,26	A B	23,81 –	– 25,40	– 63,50	– 95,25	– 31,75	8,710 8,710	4,67 5,36	PHS 50-1A58 PHS 50-1B58		
		59	307,34 307,34	A B	23,81 –	– 25,40	– 63,50	– 95,25	– 31,75	8,710 8,710	4,76 5,59	PHS 50-1A59 PHS 50-1B59		
		60	312,42 312,42	A B	23,81 –	– 25,40	– 63,50	– 95,25	– 31,75	8,710 8,710	4,90 5,90	PHS 50-1A60 PHS 50-1B60		
		70	362,97 362,97	A B	23,81 –	– 25,40	– 63,50	– 95,25	– 44,45	8,710 8,710	6,35 8,24	PHS 50-1A70 PHS 50-1B70		
		72	373,13 373,13	A B	23,81 –	– 25,40	– 63,50	– 95,25	– 44,45	8,710 8,710	6,91 8,84	PHS 50-1A72 PHS 50-1B72		
		76	393,45 393,45	A B	23,81 –	– 25,40	– 63,50	– 95,25	– 44,45	8,710 8,710	9,11 9,53	PHS 50-1A76 PHS 50-1B76		
		80	413,51 413,51	A B	23,81 –	– 25,40	– 69,85	– 107,95	– 44,45	8,710 8,710	9,53 11,22	PHS 50-1A80 PHS 50-1B80		
		84	433,83 433,83	A B	23,81 –	– 25,40	– 69,85	– 107,95	– 44,45	8,710 8,710	10,02 11,57	PHS 50-1A84 PHS 50-1B84		
		95	489,46 489,46	A B	23,81 –	– 25,40	– 69,85	– 107,95	– 44,45	8,710 8,710	12,25 14,51	PHS 50-1A95 PHS 50-1B95		
		96	494,54 494,54	A B	23,81 –	– 25,40	– 69,85	– 107,95	– 44,45	8,710 8,710	12,43 14,93	PHS 50-1A96 PHS 50-1B96		
		112	575,31 575,31	A B	23,81 –	– 25,40	– 69,85	– 107,95	– 44,45	8,710 8,710	17,10 19,05	PHS 50-1A112 PHS 50-1B112		
		19,05	3/4	8	57,40	B	–	15,88	15,88	37,31	31,75	11,660	0,24	PHS 60-1BH8
				9	63,75	B	–	19,05	22,23	39,69	31,75	11,660	0,29	PHS 60-1BH9
				10	70,10 70,10	A B	19,05 –	– 19,05	– 28,58	– 49,21	– 31,75	11,660 11,660	0,20 0,45	PHS 60-1A10 PHS 60-1BH10
				11	76,20 76,20	A B	19,05 –	– 19,05	– 33,34	– 52,39	– 31,75	11,660 11,660	0,24 0,53	PHS 60-1A11 PHS 60-1BH11
12	82,55 82,55			A B	19,05 –	– 19,05	– 34,93	– 60,33	– 31,75	11,660 11,660	0,31 0,67	PHS 60-1A12 PHS 60-1BH12		
13	88,65 88,65			A B	19,05 –	– 19,05	– 38,10	– 59,53	– 31,75	11,660 11,660	0,36 0,75	PHS 60-1A13 PHS 60-1BH13		
14	95,00 95,00			A B	19,05 –	– 19,05	– 44,45	– 65,09	– 31,75	11,660 11,660	0,43 0,91	PHS 60-1A14 PHS 60-1BH14		
15	101,09 101,09			A B	19,05 –	– 19,05	– 47,63	– 73,03	– 31,75	11,660 11,660	0,49 1,14	PHS 60-1A15 PHS 60-1BH15		
16	107,19 107,19			A B	19,05 –	– 19,05	– 50,80	– 77,79	– 31,75	11,660 11,660	0,56 1,27	PHS 60-1A16 PHS 60-1BH16		
17	113,28 113,28			A B	19,05 –	– 19,05	– 57,15	– 82,55	– 31,75	11,660 11,660	0,65 1,46	PHS 60-1A17 PHS 60-1BH17		
18	119,38			A	19,05	–	–	–	–	–	11,660	0,73	PHS 60-1A18	

Maximum bores can accommodate standard keyways. Larger bores are available where a shallow keyway is used or no keyway is required. All Type B or C sprockets, up to and including 25 tooth, are with hardened teeth as standard. For any additional size sprockets with hardened teeth, add "H" before the number of teeth, e.g. PHS 25-1BH9.

# ANSI sprockets, simplex, pilot bore

ANSI 60-1 · 19,05 mm (3/4") pitch



Pitch	Number of teeth	Outside diameter	Type	Dimensions		Hub	Plate thickness	Mass	Designation			
				Bore stock	Bore							
mm	in.	mm		mm	Min.	Max.	t <sub>1</sub>	kg				
19,05	3/4	119,38	B	–	19,05	60,33	88,90	31,75	11,660	1,69	PHS 60-1BH18	
			A	19,05	–	–	–	–	11,660	0,83	PHS 60-1A19	
	B	–	19,05	60,33	88,90	31,75	11,660	1,78	PHS 60-1BH19			
	20	131,83	131,83	A	19,05	–	–	–	–	11,660	0,96	PHS 60-1A20
				B	–	19,05	66,68	98,43	31,75	11,660	2,10	PHS 60-1BH20
	21	137,92	137,92	A	19,05	–	–	–	–	11,660	1,03	PHS 60-1A21
				B	–	19,05	69,85	101,60	31,75	11,660	2,27	PHS 60-1BH21
	22	144,02	144,02	A	19,05	–	–	–	–	11,660	1,12	PHS 60-1A22
				B	–	19,05	69,85	101,60	31,75	11,660	2,38	PHS 60-1BH22
	23	150,11	150,11	A	19,05	–	–	–	–	11,660	1,22	PHS 60-1A23
				B	–	19,05	69,85	101,60	31,75	11,660	2,49	PHS 60-1BH23
	24	156,21	156,21	A	18,26	–	–	–	–	11,660	1,36	PHS 60-1A24
				B	–	19,05	69,85	101,60	31,75	11,660	2,62	PHS 60-1BH24
	25	162,31	162,31	A	18,26	–	–	–	–	11,660	1,51	PHS 60-1A25
				B	–	19,05	69,85	101,60	31,75	11,660	2,78	PHS 60-1BH25
	26	168,40	168,40	A	18,26	–	–	–	–	11,660	1,61	PHS 60-1A26
				B	–	19,05	69,85	101,60	31,75	11,660	2,89	PHS 60-1B26
	27	174,50	174,50	A	18,26	–	–	–	–	11,660	1,80	PHS 60-1A27
				B	–	19,05	69,85	101,60	31,75	11,660	3,05	PHS 60-1B27
	28	180,59	180,59	A	18,26	–	–	–	–	11,660	1,88	PHS 60-1A28
				B	–	19,05	69,85	101,60	31,75	11,660	3,12	PHS 60-1B28
	29	186,69	186,69	A	18,26	–	–	–	–	11,660	2,00	PHS 60-1A29
				B	–	19,05	69,85	101,60	31,75	11,660	3,30	PHS 60-1B29
	30	192,79	192,79	A	18,26	–	–	–	–	11,660	2,17	PHS 60-1A30
				B	–	19,05	69,85	101,60	31,75	11,660	3,44	PHS 60-1B30
	31	198,88	198,88	A	18,26	–	–	–	–	11,660	2,38	PHS 60-1A31
				B	–	19,05	69,85	101,60	31,75	11,660	3,50	PHS 60-1B31
	32	204,98	204,98	A	18,26	–	–	–	–	11,660	2,50	PHS 60-1A32
				B	–	19,05	69,85	101,60	31,75	11,660	3,75	PHS 60-1B32
	33	210,82	210,82	A	23,81	–	–	–	–	11,660	2,66	PHS 60-1A33
				B	–	25,40	69,85	101,60	31,75	11,660	3,82	PHS 60-1B33
	34	216,92	216,92	A	23,81	–	–	–	–	11,660	2,79	PHS 60-1A34
				B	–	25,40	69,85	101,60	31,75	11,660	3,99	PHS 60-1B34
	35	223,01	223,01	A	23,81	–	–	–	–	11,660	3,08	PHS 60-1A35
				B	–	25,40	69,85	101,60	31,75	11,660	4,10	PHS 60-1B35
	36	229,11	229,11	A	23,81	–	–	–	–	11,660	3,09	PHS 60-1A36
				B	–	25,40	69,85	101,60	31,75	11,660	4,35	PHS 60-1B36
	37	235,20	235,20	A	23,81	–	–	–	–	11,660	3,41	PHS 60-1A37
				B	–	25,40	69,85	101,60	31,75	11,660	4,64	PHS 60-1B37
38	241,30	241,30	A	23,81	–	–	–	–	11,660	3,56	PHS 60-1A38	
			B	–	25,40	69,85	107,95	31,75	11,660	4,92	PHS 60-1B38	
39	247,40	247,40	A	23,81	–	–	–	–	11,660	3,76	PHS 60-1A39	
			B	–	25,40	69,85	107,95	31,75	11,660	5,15	PHS 60-1B39	

Maximum bores can accommodate standard keyways. Larger bores are available where a shallow keyway is used or no keyway is required. All Type B or C sprockets, up to and including 25 tooth, are with hardened teeth as standard. For any additional size sprockets with hardened teeth, add "H" before the number of teeth, e.g. PHS 25-1BH9.

# ANSI sprockets, simplex, pilot bore

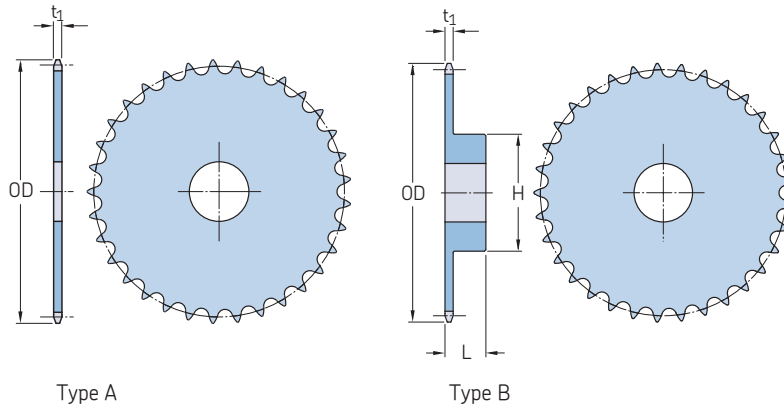
ANSI 60-1 · 19,05 mm ( $\frac{3}{4}$ " pitch

Pitch		Number of teeth	Outside diameter OD	Type	Dimensions		Bore stock	Bore		Hub		Plate thickness t <sub>1</sub>	Mass kg	Designation	
mm	in.				mm	mm		Min.	Max.	H	L				
19,05	$\frac{3}{4}$	40	253,49	A	23,81	–	–	–	–	–	–	11,660	3,88	PHS 60-1A40	
			253,49	B	–	–	25,40	69,85	107,95	31,75	11,660	5,22	PHS 60-1B40		
		41	259,59	A	23,81	–	–	–	–	–	–	–	11,660	4,13	PHS 60-1A41
			259,59	B	–	–	25,40	69,85	107,95	31,75	11,660	5,51	PHS 60-1B41		
		42	265,68	A	23,81	–	–	–	–	–	–	–	11,660	4,46	PHS 60-1A42
			265,68	B	–	–	25,40	69,85	107,95	31,75	11,660	5,78	PHS 60-1B42		
		43	271,78	A	23,81	–	–	–	–	–	–	–	11,660	4,42	PHS 60-1A43
			271,78	B	–	–	25,40	69,85	107,95	31,75	11,660	5,90	PHS 60-1B43		
		44	277,88	A	23,81	–	–	–	–	–	–	–	11,660	4,88	PHS 60-1A44
			277,88	B	–	–	23,81	69,85	107,95	31,75	11,660	6,30	PHS 60-1B44		
		45	283,97	A	23,81	–	–	–	–	–	–	–	11,660	5,03	PHS 60-1A45
			283,97	B	–	–	23,81	69,85	107,95	31,75	11,660	6,34	PHS 60-1B45		
		46	290,07	A	23,81	–	–	–	–	–	–	–	11,660	5,22	PHS 60-1A46
			290,07	B	–	–	23,81	69,85	107,95	31,75	11,660	6,62	PHS 60-1B46		
		47	295,91	A	23,81	–	–	–	–	–	–	–	11,660	5,59	PHS 60-1A47
			295,91	B	–	–	23,81	69,85	107,95	31,75	11,660	6,80	PHS 60-1B47		
		48	302,01	A	23,81	–	–	–	–	–	–	–	11,660	5,63	PHS 60-1A48
			302,01	B	–	–	23,81	69,85	107,95	31,75	11,660	7,18	PHS 60-1B48		
		49	308,10	A	23,81	–	–	–	–	–	–	–	11,660	5,86	PHS 60-1A49
			308,10	B	–	–	23,81	69,85	107,95	31,75	11,660	7,21	PHS 60-1B49		
		50	314,20	A	23,81	–	–	–	–	–	–	–	11,660	6,34	PHS 60-1A50
			314,20	B	–	–	23,81	69,85	107,95	31,75	11,660	8,01	PHS 60-1B50		
		51	320,29	A	23,81	–	–	–	–	–	–	–	11,660	6,61	PHS 60-1A51
			320,29	B	–	–	23,81	69,85	107,95	31,75	11,660	7,70	PHS 60-1B51		
		52	326,39	A	23,81	–	–	–	–	–	–	–	11,660	6,62	PHS 60-1A52
			326,39	B	–	–	23,81	69,85	107,95	31,75	11,660	8,13	PHS 60-1B52		
		53	332,49	A	23,81	–	–	–	–	–	–	–	11,660	7,18	PHS 60-1A53
			332,49	B	–	–	23,81	69,85	107,95	31,75	11,660	8,16	PHS 60-1B53		
		54	338,58	A	23,81	–	–	–	–	–	–	–	11,660	7,22	PHS 60-1A54
			338,58	B	–	–	23,81	69,85	107,95	44,45	11,660	9,80	PHS 60-1B54		
		55	344,68	A	31,75	–	–	–	–	–	–	–	11,660	7,69	PHS 60-1A55
			344,68	B	–	–	31,75	69,85	107,95	44,45	11,660	9,59	PHS 60-1B55		
		56	350,77	A	31,75	–	–	–	–	–	–	–	11,660	7,98	PHS 60-1A56
			350,77	B	–	–	31,75	69,85	107,95	44,45	11,660	9,92	PHS 60-1B56		
		57	356,62	A	31,75	–	–	–	–	–	–	–	11,660	7,99	PHS 60-1A57
			356,62	B	–	–	31,75	69,85	107,95	44,45	11,660	10,10	PHS 60-1B57		
		58	362,71	A	31,75	–	–	–	–	–	–	–	11,660	8,62	PHS 60-1A58
			362,71	B	–	–	31,75	69,85	107,95	44,45	11,660	10,34	PHS 60-1B58		
		59	368,81	A	31,75	–	–	–	–	–	–	–	11,660	8,71	PHS 60-1A59
			368,81	B	–	–	31,75	69,85	107,95	44,45	11,660	10,82	PHS 60-1B59		
60	374,90	A	31,75	–	–	–	–	–	–	–	11,660	9,08	PHS 60-1A60		
	374,90	B	–	–	31,75	69,85	107,95	44,45	11,660	11,44	PHS 60-1B60				
64	399,29	A	31,75	–	–	–	–	–	–	–	11,660	10,43	PHS 60-1A64		
	399,29	B	–	–	31,75	69,85	107,95	44,45	11,660	12,43	PHS 60-1B64				
65	405,38	A	31,75	–	–	–	–	–	–	–	11,660	10,54	PHS 60-1A65		
	405,38	B	–	–	31,75	69,85	107,95	44,45	11,660	13,12	PHS 60-1B65				
66	–	A	31,75	–	–	–	–	–	–	–	11,660	11,08	PHS 60-1A66		
68	423,42	A	31,75	–	–	–	–	–	–	–	11,660	11,58	PHS 60-1A68		
	423,42	B	–	–	31,75	69,85	107,95	44,45	11,660	13,78	PHS 60-1B68				
70	435,61	A	31,75	–	–	–	–	–	–	–	11,660	12,34	PHS 60-1A70		
	435,61	B	–	–	31,75	69,85	107,95	44,45	11,660	14,51	PHS 60-1B70				
72	447,80	A	31,75	–	–	–	–	–	–	–	11,660	13,11	PHS 60-1A72		
	447,80	B	–	–	31,75	69,85	107,95	50,80	11,660	15,50	PHS 60-1B72				
76	471,93	A	31,75	–	–	–	–	–	–	–	11,660	14,67	PHS 60-1A76		
	471,93	B	–	–	31,75	69,85	107,95	50,80	11,660	17,26	PHS 60-1B76				
80	496,32	A	31,75	–	–	–	–	–	–	–	11,660	20,64	PHS 60-1A80		
	496,32	B	–	–	31,75	69,85	107,95	50,80	11,660	19,00	PHS 60-1B80				
84	520,45	A	31,75	–	–	–	–	–	–	–	11,660	18,23	PHS 60-1A84		
	520,45	B	–	–	31,75	82,55	120,65	50,80	11,660	21,07	PHS 60-1B84				

Maximum bores can accommodate standard keyways. Larger bores are available where a shallow keyway is used or no keyway is required. All Type B or C sprockets, up to and including 25 tooth, are with hardened teeth as standard. For any additional size sprockets with hardened teeth, add "H" before the number of teeth, e.g. PHS 25-1BH9.

# ANSI sprockets, simplex, pilot bore

ANSI 60-1 · 19,05 mm (3/4") pitch | ANSI 80-1 · 25,40 mm (1") pitch



Pitch	Number of teeth	Outside diameter OD	Type	Dimensions		Hub H	Hub L	Plate thickness t <sub>1</sub>	Mass	Designation	
				Bore stock	Bore Min. Max.						
mm	in.	mm	-	mm	mm	mm	mm	mm	kg	-	
19,05	3/4	90	A	31,75	-	-	-	11,660	19,70	PHS 60-1A90	
			B	-	31,75	84,14	127,00	57,15	11,660	28,67	PHS 60-1B90
	96	A	31,75	-	-	-	11,660	23,60	PHS 60-1A96		
		B	-	31,75	95,25	139,70	57,15	11,660	28,61	PHS 60-1B96	
	112	A	31,75	-	-	-	11,660	32,11	PHS 60-1A112		
		B	-	31,75	95,25	139,70	57,15	11,660	37,09	PHS 60-1B112	
25,40	1	8	B	-	25,40	25,40	49,21	41,28	14,600	0,64	PHS 80-1BH8
			A	23,81	-	-	-	14,600	0,36	PHS 80-1A9	
		9	A	23,81	-	-	-	14,600	0,73	PHS 80-1A9	
			B	-	25,40	33,34	57,15	41,28	14,600	0,73	PHS 80-1BH9
		10	A	23,81	-	-	-	14,600	0,45	PHS 80-1A10	
			B	-	25,40	38,10	65,09	41,28	14,600	1,00	PHS 80-1BH10
		11	A	23,81	-	-	-	14,600	0,59	PHS 80-1A11	
			B	-	25,40	41,28	71,44	41,28	14,600	1,45	PHS 80-1BH11
		12	A	23,81	-	-	-	14,600	0,68	PHS 80-1A12	
			B	-	25,40	47,63	79,38	41,28	14,600	1,54	PHS 80-1BH12
		13	A	23,81	-	-	-	14,600	0,82	PHS 80-1A13	
			B	-	25,40	50,80	76,20	38,10	14,600	1,59	PHS 80-1BH13
		14	A	23,81	-	-	-	14,600	1,00	PHS 80-1A14	
			B	-	25,40	57,15	82,55	38,10	14,600	1,86	PHS 80-1BH14
		15	A	23,81	-	-	-	14,600	1,13	PHS 80-1A15	
			B	-	25,40	63,50	96,84	38,10	14,600	2,40	PHS 80-1BH15
		16	A	23,81	-	-	-	14,600	1,32	PHS 80-1A16	
			B	-	25,40	69,85	101,60	38,10	14,600	2,68	PHS 80-1BH16
		17	A	23,81	-	-	-	14,600	1,50	PHS 80-1A17	
			B	-	25,40	69,85	101,60	38,10	14,600	2,99	PHS 80-1BH17
		18	A	23,81	-	-	-	14,600	1,68	PHS 80-1A18	
			B	-	25,40	69,85	107,95	38,10	14,600	3,31	PHS 80-1BH18
		19	A	23,81	-	-	-	14,600	1,86	PHS 80-1A19	
			B	-	25,40	69,85	107,95	38,10	14,600	3,54	PHS 80-1BH19
		20	A	23,81	-	-	-	14,600	2,13	PHS 80-1A20	
			B	-	25,40	69,85	107,95	38,10	14,600	3,81	PHS 80-1BH20
21	A	23,81	-	-	-	14,600	2,22	PHS 80-1A21			
	B	-	25,40	69,85	107,95	44,45	14,600	4,26	PHS 80-1BH21		
22	A	23,81	-	-	-	14,600	2,49	PHS 80-1A22			
	B	-	25,40	69,85	107,95	44,45	14,600	4,54	PHS 80-1BH22		
23	A	23,81	-	-	-	14,600	2,86	PHS 80-1A23			
	B	-	25,40	69,85	107,95	44,45	14,600	4,85	PHS 80-1BH23		
24	A	23,81	-	-	-	14,600	3,04	PHS 80-1A24			
	B	-	25,40	69,85	107,95	44,45	14,600	5,13	PHS 80-1BH24		
25	A	23,81	-	-	-	14,600	3,27	PHS 80-1A25			
	B	-	25,40	69,85	107,95	44,45	14,600	5,40	PHS 80-1BH25		
26	A	30,16	-	-	-	14,600	3,54	PHS 80-1A26			
	B	-	31,75	82,55	120,65	50,80	14,600	6,49	PHS 80-1B26		

Maximum bores can accommodate standard keyways. Larger bores are available where a shallow keyway is used or no keyway is required. All Type B or C sprockets, up to and including 25 tooth, are with hardened teeth as standard. For any additional size sprockets with hardened teeth, add "H" before the number of teeth, e.g. PHS 25-1BH9.



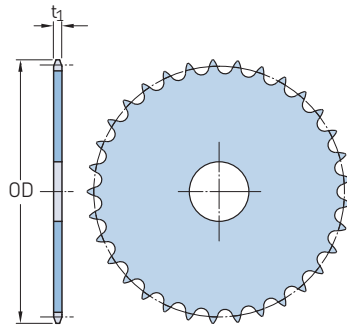
**ANSI sprockets, simplex, pilot bore**  
ANSI 80-1 · 25,40 mm (1") pitch

Pitch		Number of teeth	Outside diameter OD	Type	Dimensions		Hub		Plate thickness t <sub>1</sub>	Mass kg	Designation	
mm	in.				Bore stock	Bore	H	L				
					Min.	Max.						
25,40	1	27	232,66	A	30,16	–	–	–	14,600	3,90	PHS 80-1A27	
			232,66	B	–	31,75	82,55	120,65	50,80	14,600	6,99	PHS 80-1B27
		28	240,79	A	30,16	–	–	–	–	14,600	4,22	PHS 80-1A28
			240,79	B	–	31,75	82,55	120,65	50,80	14,600	7,26	PHS 80-1B28
		29	248,92	A	30,16	–	–	–	–	14,600	4,45	PHS 80-1A29
			248,92	B	–	30,16	82,55	120,65	50,80	14,600	7,76	PHS 80-1B29
		30	256,79	A	30,16	–	–	–	–	14,600	4,85	PHS 80-1A30
			256,79	B	–	30,16	82,55	120,65	50,80	14,600	7,89	PHS 80-1B30
		31	264,92	A	30,16	–	–	–	–	14,600	5,13	PHS 80-1A31
			264,92	B	–	30,16	82,55	120,65	50,80	14,600	8,48	PHS 80-1B31
		32	273,05	A	30,16	–	–	–	–	14,600	5,49	PHS 80-1A32
			273,05	B	–	30,16	82,55	120,65	50,80	14,600	8,85	PHS 80-1B32
		33	281,18	A	30,16	–	–	–	–	14,600	6,17	PHS 80-1A33
			281,18	B	–	30,16	82,55	120,65	50,80	14,600	8,89	PHS 80-1B33
		34	289,31	A	30,16	–	–	–	–	14,600	6,49	PHS 80-1A34
			289,31	B	–	30,16	82,55	120,65	50,80	14,600	9,66	PHS 80-1B34
		35	297,43	A	30,16	–	–	–	–	14,600	6,71	PHS 80-1A35
			297,43	B	–	30,16	82,55	120,65	50,80	14,600	10,02	PHS 80-1B35
		36	305,56	A	30,16	–	–	–	–	14,600	7,30	PHS 80-1A36
			305,56	B	–	30,16	82,55	120,65	50,80	14,600	10,48	PHS 80-1B36
		37	313,69	A	30,16	–	–	–	–	14,600	7,62	PHS 80-1A37
			313,69	B	–	30,16	82,55	120,65	50,80	14,600	10,80	PHS 80-1B37
		38	321,82	A	30,16	–	–	–	–	14,600	7,80	PHS 80-1A38
			321,82	B	–	30,16	82,55	120,65	50,80	14,600	11,20	PHS 80-1B38
		39	329,95	A	30,16	–	–	–	–	14,600	8,12	PHS 80-1A39
			329,95	B	–	30,16	82,55	120,65	50,80	14,600	11,61	PHS 80-1B39
		40	338,07	A	30,16	–	–	–	–	14,600	8,57	PHS 80-1A40
			338,07	B	–	30,16	82,55	120,65	50,80	14,600	12,11	PHS 80-1B40
		41	346,20	A	31,75	–	–	–	–	14,600	9,53	PHS 80-1A41
			346,20	B	–	31,75	82,55	120,65	50,80	14,600	12,61	PHS 80-1B41
		42	354,08	A	31,75	–	–	–	–	14,600	9,89	PHS 80-1A42
			354,08	B	–	31,75	82,55	120,65	50,80	14,600	13,02	PHS 80-1B42
		43	362,20	A	31,75	–	–	–	–	14,600	10,70	PHS 80-1A43
			362,20	B	–	31,75	82,55	120,65	50,80	14,600	13,34	PHS 80-1B43
		44	370,33	A	31,75	–	–	–	–	14,600	11,02	PHS 80-1A44
			370,33	B	–	31,75	82,55	120,65	50,80	14,600	13,56	PHS 80-1B44
		45	378,46	A	31,75	–	–	–	–	14,600	11,43	PHS 80-1A45
			378,46	B	–	31,75	82,55	120,65	50,80	14,600	14,24	PHS 80-1B45
		46	386,59	A	31,75	–	–	–	–	14,600	12,07	PHS 80-1A46
			386,59	B	–	31,75	82,55	120,65	50,80	14,600	15,01	PHS 80-1B46
		47	394,72	A	31,75	–	–	–	–	14,600	11,97	PHS 80-1A47
			394,72	B	–	31,75	82,55	120,65	50,80	14,600	15,42	PHS 80-1B47
		48	402,84	A	31,75	–	–	–	–	14,600	12,61	PHS 80-1A48
			402,84	B	–	31,75	82,55	120,65	50,80	14,600	16,10	PHS 80-1B48
		49	410,97	A	31,75	–	–	–	–	14,600	13,11	PHS 80-1A49
			410,97	B	–	31,75	82,55	120,65	50,80	14,600	16,24	PHS 80-1B49
		50	419,10	A	31,75	–	–	–	–	14,600	14,02	PHS 80-1A50
			419,10	B	–	31,75	82,55	120,65	50,80	14,600	16,92	PHS 80-1B50
		51	426,97	A	31,75	–	–	–	–	14,600	14,61	PHS 80-1A51
			426,97	B	–	31,75	82,55	120,65	50,80	14,600	17,51	PHS 80-1B51
		52	435,10	A	31,75	–	–	–	–	14,600	14,97	PHS 80-1A52
			435,10	B	–	31,75	82,55	120,65	50,80	14,600	17,87	PHS 80-1B52
		53	443,23	A	31,75	–	–	–	–	14,600	15,83	PHS 80-1A53
			443,23	B	–	31,75	82,55	120,65	50,80	14,600	18,73	PHS 80-1B53
		54	451,36	A	31,75	–	–	–	–	14,600	16,60	PHS 80-1A54
			451,36	B	–	31,75	88,90	133,35	50,80	14,600	20,28	PHS 80-1B54
55	459,49	A	31,75	–	–	–	–	14,600	17,01	PHS 80-1A55		
	459,49	B	–	31,75	88,90	133,35	50,80	14,600	20,68	PHS 80-1B55		
56		A	467,61	31,75	–	–	–	–	14,600	17,87	PHS 80-1A56	

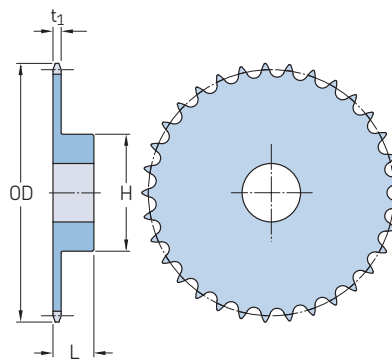
Maximum bores can accommodate standard keyways. Larger bores are available where a shallow keyway is used or no keyway is required. All Type B or C sprockets, up to and including 25 tooth, are with hardened teeth as standard. For any additional size sprockets with hardened teeth, add "H" before the number of teeth, e.g. PHS 25-1BH9.

**ANSI sprockets, simplex, pilot bore**

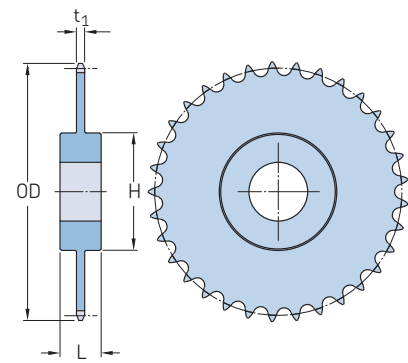
ANSI 80-1 · 25,40 mm (1") pitch | ANSI 100-1 · 31,75 mm (1¼") pitch



Type A



Type B



Type C

Pitch	Number of teeth	Outside diameter OD	Type	Dimensions		Hub H	Hub L	Plate thickness t <sub>1</sub>	Mass	Designation			
				Bore stock	Bore Min. Max.								
mm	in.	mm	–	mm	mm	mm	mm	mm	kg	–			
25,40	1	56	467,61	B	–	31,75	88,90	133,35	50,80	14,600	21,55	PHS 80-1B56	
				A	31,75	–	–	–	–	14,600	18,33	PHS 80-1A57	
	57	475,74	475,74	B	–	31,75	88,90	133,35	50,80	14,600	22,00	PHS 80-1B57	
				A	31,75	–	–	–	–	14,600	18,73	PHS 80-1A58	
	58	483,62	483,62	B	–	31,75	88,90	133,35	50,80	14,600	22,91	PHS 80-1B58	
				A	31,75	–	–	–	–	14,600	19,46	PHS 80-1A59	
	59	491,74	491,74	B	–	31,75	88,90	133,35	50,80	14,600	23,63	PHS 80-1B59	
				A	31,75	–	–	–	–	14,600	20,55	PHS 80-1A60	
	60	499,87	499,87	B	–	31,75	88,90	133,35	50,80	14,600	24,72	PHS 80-1B60	
				A	31,75	–	–	–	–	14,600	23,68	PHS 80-1A65	
	65	540,26	540,26	B	–	31,75	88,90	133,35	50,80	14,600	28,03	PHS 80-1B65	
				A	31,75	–	–	–	–	14,600	27,12	PHS 80-1A70	
	70	580,90	580,90	C	–	38,10	107,95	158,75	88,90	14,600	34,34	PHS 80-1C70	
				A	38,10	–	–	–	–	14,600	29,80	PHS 80-1A72	
	72	596,90	596,90	C	–	38,10	107,95	158,75	88,90	14,600	36,92	PHS 80-1C72	
				A	38,10	–	–	–	–	14,600	31,84	PHS 80-1A76	
	76	629,41	629,41	C	–	38,10	107,95	158,75	88,90	14,600	39,83	PHS 80-1C76	
				A	38,10	–	–	–	–	14,600	36,11	PHS 80-1A80	
	80	661,67	661,67	C	–	38,10	107,95	158,75	88,90	14,600	40,78	PHS 80-1C80	
				A	38,10	–	–	–	–	14,600	39,05	PHS 80-1A84	
84	694,18	694,18	C	–	38,10	107,95	158,75	88,90	14,600	45,00	PHS 80-1C84		
			A	38,10	–	–	–	–	14,600	45,81	PHS 80-1A90		
90	742,70	742,70	C	–	38,10	107,95	158,75	88,90	14,600	48,08	PHS 80-1C90		
			A	38,10	–	–	–	–	14,600	54,43	PHS 80-1A96		
96	791,21	791,21	C	–	38,10	107,95	158,75	88,90	14,600	53,07	PHS 80-1C96		
			A	38,10	–	–	–	–	14,600	74,84	PHS 80-1A112		
112	920,50	920,50	C	–	38,10	107,95	158,75	88,90	14,600	69,85	PHS 80-1C112		
			A	38,10	–	–	–	–	14,600	0,54	PHS 100-1A7		
31,75	1¼	7	85,09	A	25,40	–	–	–	–	17,580	0,54	PHS 100-1A7	
				B	25,40	–	–	–	–	17,580	0,64	PHS 100-1A8	
		8	95,76	95,76	B	–	25,40	31,75	61,91	47,63	17,580	1,04	PHS 100-1BH8
					A	25,40	–	–	–	–	17,580	0,73	PHS 100-1A9
		9	106,17	106,17	B	–	25,40	41,28	71,44	47,63	17,580	1,45	PHS 100-1BH9
					A	25,40	–	–	–	–	17,580	0,91	PHS 100-1A10
		10	116,84	116,84	B	–	25,40	47,63	82,55	47,63	17,580	1,86	PHS 100-1BH10
					A	31,75	–	–	–	–	17,580	1,13	PHS 100-1A11
		11	127,25	127,25	B	–	25,40	57,15	90,49	47,63	17,580	2,40	PHS 100-1BH11
					A	31,75	–	–	–	–	17,580	1,36	PHS 100-1A12
		12	137,67	137,67	B	–	25,40	57,15	101,60	47,63	17,580	2,90	PHS 100-1BH12
					A	31,75	–	–	–	–	17,580	1,59	PHS 100-1A13
		13	147,83	147,83	B	–	25,40	60,33	98,43	41,28	17,580	2,99	PHS 100-1BH13
					A	31,75	–	–	–	–	17,580	1,86	PHS 100-1A14
14	158,24	158,24	B	–	31,75	69,85	106,36	41,28	17,580	3,36	PHS 100-1BH14		
			A	31,75	–	–	–	–	17,580	1,86	PHS 100-1A14		

Maximum bores can accommodate standard keyways. Larger bores are available where a shallow keyway is used or no keyway is required. All Type B or C sprockets, up to and including 25 tooth, are with hardened teeth as standard. For any additional size sprockets with hardened teeth, add "H" before the number of teeth, e.g. PHS 25-1BH9.

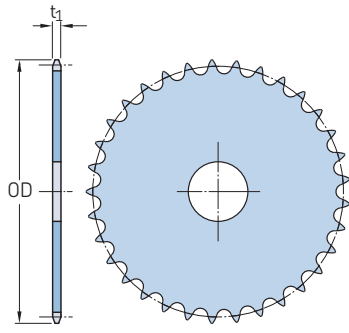
**ANSI sprockets, simplex, pilot bore**  
ANSI 100-1 · 31,75 mm (1¼") pitch

Pitch		Number of teeth	Outside diameter OD	Type	Dimensions			Hub		Plate thickness t <sub>1</sub>	Mass	Designation
mm	in.				Bore stock	Bore		H	L			
					mm	Min.	Max.			kg		
31,75	1¼	15	168,40	A	31,75	–	–	–	–	17,580	2,13	PHS 100-1A15
			168,40	B	–	31,75	76,20	114,30	44,45	17,580	4,17	PHS 100-1BH15
		16	178,56	A	31,75	–	–	–	–	17,580	2,45	PHS 100-1A16
			178,56	B	–	33,34	76,20	114,30	44,45	17,580	4,49	PHS 100-1BH16
		17	188,98	A	31,75	–	–	–	–	17,580	2,77	PHS 100-1A17
			188,98	B	–	33,34	76,20	114,30	44,45	17,580	4,90	PHS 100-1BH17
		18	199,14	A	31,75	–	–	–	–	17,580	3,18	PHS 100-1A18
			199,14	B	–	33,34	76,20	114,30	44,45	17,580	5,22	PHS 100-1BH18
		19	209,30	A	31,75	–	–	–	–	17,580	3,54	PHS 100-1A19
			209,30	B	–	33,34	76,20	114,30	50,80	17,580	5,94	PHS 100-1BH19
		20	219,46	A	31,75	–	–	–	–	17,580	3,99	PHS 100-1A20
			219,46	B	–	33,34	76,20	114,30	50,80	17,580	6,44	PHS 100-1BH20
		21	229,62	A	31,75	–	–	–	–	17,580	4,45	PHS 100-1A21
			229,62	B	–	33,34	76,20	114,30	50,80	17,580	6,94	PHS 100-1BH21
		22	239,78	A	31,75	–	–	–	–	17,580	4,76	PHS 100-1A22
			239,78	B	–	33,34	76,20	114,30	50,80	17,580	7,30	PHS 100-1BH22
		23	249,94	A	31,75	–	–	–	–	17,580	5,35	PHS 100-1A23
			249,94	B	–	31,75	76,20	114,30	50,80	17,580	7,80	PHS 100-1BH23
		24	260,35	A	31,75	–	–	–	–	17,580	5,81	PHS 100-1A24
			260,35	B	–	31,75	76,20	114,30	50,80	17,580	8,71	PHS 100-1BH24
		25	270,51	A	31,75	–	–	–	–	17,580	6,30	PHS 100-1A25
			270,51	B	–	31,75	76,20	114,30	50,80	17,580	8,85	PHS 100-1BH25
		26	280,67	A	31,75	–	–	–	–	17,580	6,80	PHS 100-1A26
			280,67	B	–	31,75	84,14	127,00	50,80	17,580	9,84	PHS 100-1B26
		27	290,58	A	31,75	–	–	–	–	17,580	7,26	PHS 100-1A27
			290,58	B	–	31,75	84,14	127,00	50,80	17,580	10,43	PHS 100-1B27
		28	300,74	A	31,75	–	–	–	–	17,580	7,89	PHS 100-1A28
			300,74	B	–	31,75	84,14	127,00	50,80	17,580	11,07	PHS 100-1B28
		29	310,90	A	31,75	–	–	–	–	17,580	8,89	PHS 100-1A29
			310,90	B	–	31,75	84,14	127,00	50,80	17,580	11,34	PHS 100-1B29
		30	321,06	A	31,75	–	–	–	–	17,580	9,12	PHS 100-1A30
			321,06	B	–	31,75	84,14	127,00	50,80	17,580	12,20	PHS 100-1B30
		31	331,22	A	31,75	–	–	–	–	17,580	9,75	PHS 100-1A31
		32	341,38	A	31,75	–	–	–	–	17,580	10,25	PHS 100-1A32
			341,38	B	–	31,75	84,14	127,00	50,80	17,580	13,52	PHS 100-1B32
		33	351,54	A	31,75	–	–	–	–	17,580	10,93	PHS 100-1A33
		34	361,70	A	31,75	–	–	–	–	17,580	11,79	PHS 100-1A34
		35	371,86	A	31,75	–	–	–	–	17,580	12,34	PHS 100-1A35
			371,86	B	–	31,75	84,14	127,00	63,50	17,580	16,74	PHS 100-1B35
		36	382,02	A	31,75	–	–	–	–	17,580	13,61	PHS 100-1A36
			382,02	B	–	31,75	84,14	127,00	63,50	17,580	17,51	PHS 100-1B36
		37	392,18	A	31,75	–	–	–	–	17,580	14,06	PHS 100-1A37
		38	402,34	A	31,75	–	–	–	–	17,580	14,97	PHS 100-1A38
			402,34	B	–	31,75	84,14	127,00	63,50	17,580	18,82	PHS 100-1B38
		39	412,24	A	31,75	–	–	–	–	17,580	15,88	PHS 100-1A39
			412,24	B	–	31,75	84,14	127,00	63,50	17,580	19,78	PHS 100-1B39
40	422,40	A	31,75	–	–	–	–	17,580	16,33	PHS 100-1A40		
	422,40	B	–	31,75	84,14	127,00	63,50	17,580	21,27	PHS 100-1B40		
41	432,56	A	31,75	–	–	–	–	17,580	17,69	PHS 100-1A41		
42	442,72	A	31,75	–	–	–	–	17,580	18,14	PHS 100-1A42		
	442,72	B	–	31,75	84,14	127,00	63,50	17,580	22,86	PHS 100-1B42		
43	452,88	A	38,10	–	–	–	–	17,580	19,50	PHS 100-1A43		
44	463,04	A	38,10	–	–	–	–	17,580	20,41	PHS 100-1A44		
45	473,20	A	38,10	–	–	–	–	17,580	21,32	PHS 100-1A45		
	473,20	B	–	38,10	84,14	127,00	63,50	17,580	24,49	PHS 100-1B45		
46	483,11	A	38,10	–	–	–	–	17,580	21,77	PHS 100-1A46		

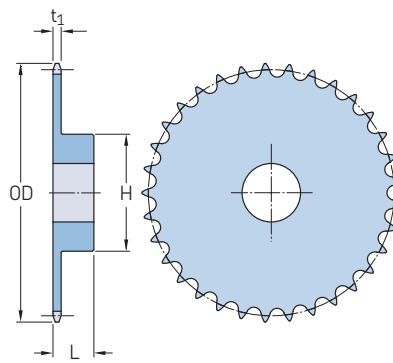
Maximum bores can accommodate standard keyways. Larger bores are available where a shallow keyway is used or no keyway is required. All Type B or C sprockets, up to and including 25 tooth, are with hardened teeth as standard. For any additional size sprockets with hardened teeth, add "H" before the number of teeth, e.g. PHS 25-1BH9.

**ANSI sprockets, simplex, pilot bore**

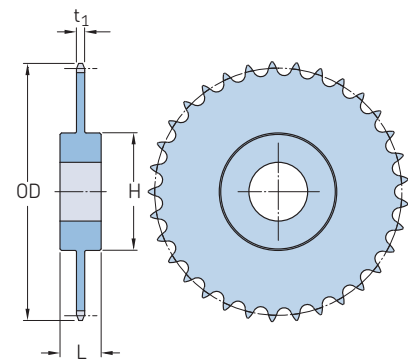
ANSI 100-1 · 31,75 mm (1¼") pitch | ANSI 120-1 · 38,10 mm (1½") pitch



Type A



Type B



Type C

Pitch	Number of teeth	Outside diameter OD	Type	Dimensions		Hub H	Hub L	Plate thickness t <sub>1</sub>	Mass	Designation		
				Bore stock	Bore Min. Max.							
mm	in.	mm	–	mm	mm	mm	mm	mm	kg	–		
31,75	1¼	47	493,27	A	38,10	–	–	–	17,580	23,59	PHS 100-1A47	
				B	–	38,10	101,60	152,40	63,50	17,580	24,49	PHS 100-1A48 PHS 100-1B48
	49	513,59	A	38,10	–	–	–	–	17,580	25,40	PHS 100-1A49	
	50	523,75	A	38,10	–	–	–	–	17,580	25,85	PHS 100-1A50	
	51	533,91	A	38,10	–	–	–	–	17,580	28,58	PHS 100-1A51	
	52	544,07	A	38,10	–	–	–	–	17,580	29,03	PHS 100-1A52	
	53	553,97	A	38,10	–	–	–	–	17,580	29,12	PHS 100-1A53	
	54	564,13 564,13	A	38,10	–	–	–	–	17,580	30,84	PHS 100-1A54	
			C	–	38,10	101,60	152,40	82,55	17,580	35,38	PHS 100-1C54	
	55	574,29	A	38,10	–	–	–	–	17,580	31,75	PHS 100-1A55	
	56	584,45	A	38,10	–	–	–	–	17,580	32,66	PHS 100-1A56	
	57	594,61	A	38,10	–	–	–	–	17,580	34,38	PHS 100-1A57	
	58	604,77	A	38,10	–	–	–	–	17,580	34,47	PHS 100-1A58	
	59	614,68	A	38,10	–	–	–	–	17,580	34,93	PHS 100-1A59	
	60	624,84 624,84	A	38,10	–	–	–	–	17,580	36,29	PHS 100-1A60	
			C	–	38,10	101,60	152,40	82,55	17,580	40,37	PHS 100-1C60	
	70	725,93 725,93	A	38,10	–	–	–	–	17,580	51,26	PHS 100-1A70	
			C	–	38,10	133,35	177,80	95,25	17,580	56,70	PHS 100-1C70	
	72	746,25 746,25	A	38,10	–	–	–	–	17,580	53,98	PHS 100-1A72	
			C	–	38,10	133,35	177,80	95,25	17,580	60,78	PHS 100-1C72	
	76	786,64 786,64	A	38,10	–	–	–	–	17,580	60,33	PHS 100-1A76	
			C	–	38,10	133,35	177,80	95,25	17,580	64,86	PHS 100-1C76	
	80	827,28 827,28	A	38,10	–	–	–	–	17,580	66,22	PHS 100-1A80	
			C	–	38,10	133,35	177,80	95,25	17,580	68,49	PHS 100-1C80	
84	867,66 867,66	A	38,10	–	–	–	–	17,580	73,48	PHS 100-1A84		
		C	–	38,10	133,35	177,80	95,25	17,580	77,11	PHS 100-1C84		
90	928,37 928,37	A	38,10	–	–	–	–	17,580	87,54	PHS 100-1A90		
		C	–	38,10	133,35	177,80	95,25	17,580	83,46	PHS 100-1C90		
96	988,82 988,82	A	38,10	–	–	–	–	17,580	97,52	PHS 100-1A96		
		C	–	38,10	133,35	177,80	114,30	17,580	92,08	PHS 100-1C96		
38,10	1½	8	114,81	A	31,75	–	–	–	23,470	1,09	PHS 120-1A8	
				B	–	34,93	46,04	85,73	57,15	23,470	1,36	PHS 120-1A9 PHS 120-1BH9
		10	140,21 140,21	A	31,75	–	–	–	–	23,470	1,72	PHS 120-1A10
				B	–	34,93	57,15	95,25	57,15	23,470	3,22	PHS 120-1A10 PHS 120-1BH10
		11	152,65 152,65	A	31,75	–	–	–	–	23,470	2,18	PHS 120-1A11
				B	–	34,93	60,33	90,49	53,98	23,470	3,45	PHS 120-1A11 PHS 120-1BH11
12	165,10	A	31,75	–	–	–	–	23,470	2,63	PHS 120-1A12		

Maximum bores can accommodate standard keyways. Larger bores are available where a shallow keyway is used or no keyway is required. All Type B or C sprockets, up to and including 25 tooth, are with hardened teeth as standard. For any additional size sprockets with hardened teeth, add "H" before the number of teeth, e.g. PHS 25-1BH9.

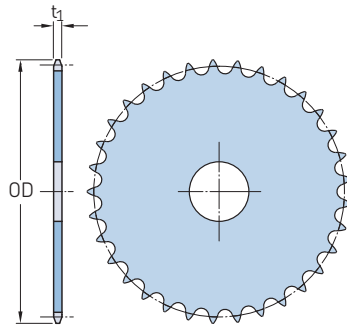
**ANSI sprockets, simplex, pilot bore**  
ANSI 120-1 · 38,10 mm (1½") pitch

Pitch		Number of teeth	Outside diameter OD	Type	Dimensions			Hub		Plate thickness t <sub>1</sub>	Mass kg	Designation
mm	in.				Bore stock	Bore Min.	Bore Max.	H	L			
38,10	1½	12	165,10	B	–	34,93	69,85	104,78	53,98	23,470	4,49	PHS 120-1BH12
		13	177,55	A	31,75	–	–	–	–	23,470	3,04	PHS 120-1A13
			177,55	B	–	34,93	76,20	115,89	57,15	23,470	5,62	PHS 120-1BH13
		14	189,74	A	31,75	–	–	–	–	23,470	3,63	PHS 120-1A14
			189,74	B	–	34,93	82,55	120,65	57,15	23,470	6,53	PHS 120-1BH14
		15	202,18	A	31,75	–	–	–	–	23,470	4,13	PHS 120-1A15
			202,18	B	–	31,75	82,55	120,65	60,33	23,470	7,57	PHS 120-1BH15
		16	214,38	A	31,75	–	–	–	–	23,470	4,81	PHS 120-1A16
			214,38	B	–	31,75	88,90	133,35	60,33	23,470	9,03	PHS 120-1BH16
		17	226,57	A	31,75	–	–	–	–	23,470	5,72	PHS 120-1A17
			226,57	B	–	31,75	88,90	133,35	60,33	23,470	9,43	PHS 120-1BH17
		18	239,01	A	31,75	–	–	–	–	23,470	6,17	PHS 120-1A18
			239,01	B	–	31,75	88,90	133,35	60,33	23,470	10,07	PHS 120-1BH18
		19	251,21	A	31,75	–	–	–	–	23,470	6,85	PHS 120-1A19
			251,21	B	–	31,75	88,90	133,35	60,33	23,470	11,25	PHS 120-1BH19
		20	263,40	A	31,75	–	–	–	–	23,470	7,67	PHS 120-1A20
			263,40	B	–	31,75	88,90	133,35	60,33	23,470	11,70	PHS 120-1BH20
		21	275,59	A	31,75	–	–	–	–	23,470	8,48	PHS 120-1A21
			275,59	B	–	31,75	88,90	133,35	60,33	23,470	12,11	PHS 120-1BH21
		22	287,78	A	31,75	–	–	–	–	23,470	9,07	PHS 120-1A22
			287,78	B	–	31,75	88,90	133,35	60,33	23,470	12,79	PHS 120-1BH22
		23	299,97	A	31,75	–	–	–	–	23,470	10,02	PHS 120-1A23
			299,97	B	–	31,75	88,90	133,35	60,33	23,470	13,74	PHS 120-1BH23
		24	312,17	A	31,75	–	–	–	–	23,470	11,25	PHS 120-1A24
			312,17	B	–	31,75	88,90	133,35	60,33	23,470	14,56	PHS 120-1BH24
		25	324,36	A	31,75	–	–	–	–	23,470	12,16	PHS 120-1A25
			324,36	B	–	31,75	88,90	133,35	60,33	23,470	15,69	PHS 120-1BH25
		26	336,55	A	38,10	–	–	–	–	23,470	12,84	PHS 120-1A26
			336,55	B	–	38,10	101,60	152,40	63,50	23,470	18,14	PHS 120-1B26
		27	348,74	A	38,10	–	–	–	–	23,470	14,02	PHS 120-1A27
		28	360,93	A	38,10	–	–	–	–	23,470	15,24	PHS 120-1A28
			360,93	B	–	38,10	101,60	152,40	63,50	23,470	20,37	PHS 120-1B28
		30	385,32	A	38,10	–	–	–	–	23,470	17,69	PHS 120-1A30
			385,32	B	–	38,10	101,60	152,40	63,50	23,470	22,77	PHS 120-1B30
		32	409,70	A	38,10	–	–	–	–	23,470	19,91	PHS 120-1A32
			409,70	B	–	38,10	101,60	152,40	63,50	23,470	25,40	PHS 120-1B32
		33	421,89	A	38,10	–	–	–	–	23,470	21,86	PHS 120-1A33
		34	434,09	A	38,10	–	–	–	–	23,470	22,68	PHS 120-1A34
		35	446,28	A	38,10	–	–	–	–	23,470	23,59	PHS 120-1A35
			446,28	B	–	38,10	101,60	152,40	63,50	23,470	28,30	PHS 120-1B35
36	458,47	A	38,10	–	–	–	–	23,470	25,40	PHS 120-1A36		
	458,47	B	–	38,10	101,60	152,40	63,50	23,470	30,12	PHS 120-1B36		
40	506,98	A	38,10	–	–	–	–	23,470	32,21	PHS 120-1A40		
	506,98	C	–	38,10	101,60	152,40	95,25	23,470	41,73	PHS 120-1C40		
42	531,37	A	38,10	–	–	–	–	23,470	34,02	PHS 120-1A42		
	531,37	C	–	38,10	101,60	152,40	95,25	23,470	44,45	PHS 120-1C42		
45	567,69	A	38,10	–	–	–	–	23,470	39,92	PHS 120-1A45		
	567,69	C	–	38,10	101,60	152,40	95,25	23,470	45,00	PHS 120-1C45		
48	604,27	A	38,10	–	–	–	–	23,470	46,72	PHS 120-1A48		
	604,27	C	–	38,10	101,60	152,40	101,60	23,470	51,26	PHS 120-1C48		
54	676,91	A	38,10	–	–	–	–	23,470	63,50	PHS 120-1A54		
	676,91	C	–	38,10	101,60	152,40	101,60	23,470	60,33	PHS 120-1C54		
60	749,81	A	38,10	–	–	–	–	23,470	72,57	PHS 120-1A60		
	749,81	C	–	38,10	133,35	177,80	101,60	23,470	72,57	PHS 120-1C60		
70	871,22	A	38,10	–	–	–	–	23,470	97,98	PHS 120-1A70		
	871,22	C	–	38,10	136,53	190,50	114,30	23,470	93,44	PHS 120-1C70		
80	992,63	A	38,10	–	–	–	–	23,470	128,82	PHS 120-1A80		
	992,63	C	–	38,10	136,53	190,50	114,30	23,470	115,21	PHS 120-1C80		

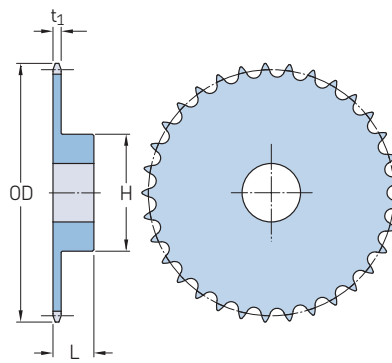
Maximum bores can accommodate standard keyways. Larger bores are available where a shallow keyway is used or no keyway is required. All Type B or C sprockets, up to and including 25 tooth, are with hardened teeth as standard. For any additional size sprockets with hardened teeth, add "H" before the number of teeth, e.g. PHS 25-1BH9.

**ANSI sprockets, simplex, pilot bore**

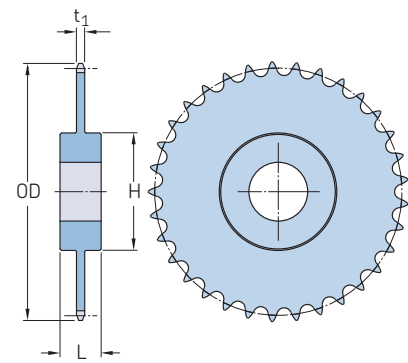
ANSI 120-1 · 38,10 mm (1½") pitch | ANSI 140-1 · 44,45 mm (1¾") pitch



Type A



Type B



Type C

Pitch		Number of teeth	Outside diameter OD	Type	Dimensions		Bore stock	Bore		Hub		Plate thickness t <sub>1</sub>	Mass	Designation
mm	in.				mm	mm		Min.	Max.	H	L			
38,10	1½	90	1113,79	A	38,10	-	-	-	-	-	23,470	162,39	PHS 120-1A90	
44,45	1¾	11	178,05	A	38,10	-	-	-	-	-	23,470	2,27	PHS 140-1A11	
			178,05	B	-	38,10	69,85	107,95	57,15	23,470	5,13	PHS 140-1BH11		
		12	192,53	A	38,10	-	-	-	-	-	23,470	3,54	PHS 140-1A12	
			192,53	B	-	38,10	76,20	114,30	57,15	23,470	5,99	PHS 140-1BH12		
		13	207,01	A	38,10	-	-	-	-	-	23,470	3,72	PHS 140-1A13	
			207,01	B	-	38,10	95,25	139,70	60,33	23,470	8,57	PHS 140-1BH13		
		14	221,49	A	38,10	-	-	-	-	-	23,470	4,54	PHS 140-1A14	
			221,49	B	-	38,10	95,25	139,70	60,33	23,470	9,25	PHS 140-1BH14		
		15	235,71	A	38,10	-	-	-	-	-	23,470	4,99	PHS 140-1A15	
			235,71	B	-	38,10	107,95	158,75	60,33	23,470	11,39	PHS 140-1BH15		
		16	250,19	A	38,10	-	-	-	-	-	23,470	6,35	PHS 140-1A16	
			250,19	B	-	38,10	107,95	158,75	63,50	23,470	12,66	PHS 140-1BH16		
		17	264,41	A	38,10	-	-	-	-	-	23,470	7,26	PHS 140-1A17	
			264,41	B	-	38,10	107,95	158,75	63,50	23,470	13,52	PHS 140-1BH17		
		18	278,89	A	38,10	-	-	-	-	-	23,470	8,16	PHS 140-1A18	
			278,89	B	-	38,10	107,95	158,75	63,50	23,470	14,51	PHS 140-1BH18		
		19	293,12	A	38,10	-	-	-	-	-	23,470	9,53	PHS 140-1A19	
			293,12	B	-	38,10	107,95	158,75	63,50	23,470	15,47	PHS 140-1BH19		
		20	307,34	A	38,10	-	-	-	-	-	23,470	10,43	PHS 140-1A20	
			307,34	B	-	38,10	107,95	158,75	63,50	23,470	16,33	PHS 140-1BH20		
		21	321,56	A	38,10	-	-	-	-	-	23,470	11,34	PHS 140-1A21	
			321,56	B	-	38,10	107,95	158,75	63,50	23,470	17,55	PHS 140-1BH21		
		22	335,79	A	38,10	-	-	-	-	-	23,470	12,70	PHS 140-1A22	
			335,79	B	-	38,10	107,95	158,75	63,50	23,470	18,42	PHS 140-1BH22		
		23	350,01	A	38,10	-	-	-	-	-	23,470	13,61	PHS 140-1A23	
			350,01	B	-	38,10	107,95	158,75	63,50	23,470	19,10	PHS 140-1BH23		
		24	364,24	A	38,10	-	-	-	-	-	23,470	14,97	PHS 140-1A24	
			364,24	B	-	38,10	107,95	158,75	63,50	23,470	20,96	PHS 140-1BH24		
		25	378,46	A	38,10	-	-	-	-	-	23,470	15,42	PHS 140-1A25	
			378,46	B	-	38,10	107,95	158,75	63,50	23,470	21,68	PHS 140-1BH25		
		26	392,68	A	38,10	-	-	-	-	-	23,470	17,69	PHS 140-1A26	
			392,68	B	-	38,10	107,95	158,75	76,20	23,470	25,95	PHS 140-1B26		
27	406,91	A	38,10	-	-	-	-	-	23,470	18,60	PHS 140-1A27			
	406,91	B	-	38,10	107,95	158,75	76,20	23,470	26,54	PHS 140-1B27				
28	421,13	A	38,10	-	-	-	-	-	23,470	20,41	PHS 140-1A28			
	421,13	B	-	38,10	107,95	158,75	76,20	23,470	28,21	PHS 140-1B28				
30	449,58	A	38,10	-	-	-	-	-	23,470	23,59	PHS 140-1A30			
	449,58	B	-	38,10	107,95	158,75	76,20	23,470	31,66	PHS 140-1B30				
31	463,80	A	44,45	38,10	-	-	-	-	23,470	25,40	PHS 140-1A31			
32	478,03	A	38,10	-	-	-	-	-	23,470	27,22	PHS 140-1A32			
	478,03	B	-	38,10	107,95	158,75	76,20	23,470	34,61	PHS 140-1B32				

Maximum bores can accommodate standard keyways. Larger bores are available where a shallow keyway is used or no keyway is required. All Type B or C sprockets, up to and including 25 tooth, are with hardened teeth as standard. For any additional size sprockets with hardened teeth, add "H" before the number of teeth, e.g. PHS 25-1BH9.

# ANSI sprockets, simplex, pilot bore

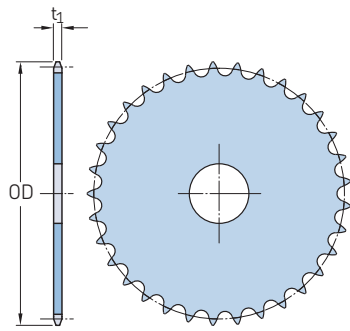
ANSI 140-1 · 44,45 mm (1<sup>3</sup>/<sub>4</sub>" pitch | ANSI 160-1 · 50,80 mm (2" pitch

Pitch		Number of teeth	Outside diameter OD	Type	Dimensions		Hub		Plate thickness t <sub>1</sub>	Mass kg	Designation		
mm	in.				Bore stock	Bore	H	L					
					Min.	Max.							
44,45	1 <sup>3</sup> / <sub>4</sub>	35	520,45	A	38,10	–	–	–	–	23,470	33,11	PHS 140-1A35	
			520,45	C	–	38,10	133,35	177,80	101,60	23,470	48,99	PHS 140-1C35	
		36	534,67	A	44,45	38,10	–	–	–	–	23,470	34,93	PHS 140-1A36
			591,57	A	38,10	–	–	–	–	–	23,470	42,18	PHS 140-1A40
		40	591,57	C	–	38,10	133,35	177,80	101,60	23,470	54,88	PHS 140-1C40	
			662,43	A	38,10	–	–	–	–	–	23,470	59,42	PHS 140-1A45
		45	662,43	C	–	38,10	133,35	177,80	101,60	23,470	64,41	PHS 140-1C45	
			704,85	A	38,10	–	–	–	–	–	23,470	60,78	PHS 140-1A48
		48	704,85	C	–	38,10	133,35	177,80	101,60	23,470	68,04	PHS 140-1C48	
			789,94	A	38,10	–	–	–	–	–	23,470	78,47	PHS 140-1A54
		54	789,94	C	–	38,10	133,35	177,80	101,60	23,470	80,29	PHS 140-1C54	
			874,78	A	38,10	–	–	–	–	–	23,470	99,34	PHS 140-1A60
		60	874,78	C	–	38,10	133,35	177,80	127,00	23,470	99,79	PHS 140-1C60	
			1016,51	A	38,10	–	–	–	–	–	23,470	132,45	PHS 140-1A70
70	1016,51	C	–	38,10	136,53	190,50	127,00	23,470	127,91	PHS 140-1C70			
	1157,99	A	38,10	–	–	–	–	–	23,470	182,34	PHS 140-1A80		
80	1157,99	C	–	38,10	136,53	190,50	127,00	23,470	150,14	PHS 140-1C80			
	50,80	2	8	153,16	A	38,10	–	–	–	–	29,360	2,27	PHS 160-1A8
153,16				B	–	38,10	47,63	82,55	57,15	29,360	3,63	PHS 160-1BH8	
9			170,18	A	38,10	–	–	–	–	–	29,360	3,18	PHS 160-1A9
			170,18	B	–	38,10	53,98	92,08	57,15	29,360	4,54	PHS 160-1BH9	
10			186,94	A	38,10	–	–	–	–	–	29,360	3,63	PHS 160-1A10
			186,94	B	–	38,10	69,85	104,78	57,15	29,360	5,44	PHS 160-1BH10	
11			203,45	A	38,10	–	–	–	–	–	29,360	4,54	PHS 160-1A11
			203,45	B	–	38,10	82,55	120,65	63,50	29,360	7,71	PHS 160-1BH11	
12			219,96	A	38,10	–	–	–	–	–	29,360	5,44	PHS 160-1A12
			219,96	B	–	38,10	95,25	139,70	63,50	29,360	9,53	PHS 160-1BH12	
13			236,47	A	38,10	–	–	–	–	–	29,360	7,26	PHS 160-1A13
			236,47	B	–	38,10	101,60	152,40	69,85	29,360	12,70	PHS 160-1BH13	
14			252,98	A	38,10	–	–	–	–	–	29,360	7,71	PHS 160-1A14
			252,98	B	–	38,10	114,30	165,10	69,85	29,360	14,51	PHS 160-1BH14	
15			269,49	A	38,10	–	–	–	–	–	29,360	9,53	PHS 160-1A15
			269,49	B	–	38,10	133,35	177,80	69,85	29,360	16,78	PHS 160-1BH15	
16			286,00	A	38,10	–	–	–	–	–	29,360	10,89	PHS 160-1A16
			286,00	B	–	38,10	133,35	177,80	69,85	29,360	18,60	PHS 160-1BH16	
17			302,26	A	38,10	–	–	–	–	–	29,360	12,25	PHS 160-1A17
			302,26	B	–	38,10	133,35	177,80	69,85	29,360	20,41	PHS 160-1BH17	
18			318,52	A	38,10	–	–	–	–	–	29,360	13,61	PHS 160-1A18
			318,52	B	–	38,10	133,35	177,80	69,85	29,360	21,77	PHS 160-1BH18	
19			335,03	A	38,10	–	–	–	–	–	29,360	15,42	PHS 160-1A19
			335,03	B	–	38,10	133,35	177,80	69,85	29,360	23,59	PHS 160-1BH19	
20			351,28	A	38,10	–	–	–	–	–	29,360	17,24	PHS 160-1A20
			351,28	B	–	38,10	133,35	177,80	69,85	29,360	25,40	PHS 160-1BH20	
21			367,54	A	38,10	–	–	–	–	–	29,360	19,05	PHS 160-1A21
			367,54	B	–	38,10	133,35	177,80	69,85	29,360	26,76	PHS 160-1BH21	
22	383,79	A	38,10	–	–	–	–	–	29,360	20,87	PHS 160-1A22		
	383,79	B	–	38,10	133,35	177,80	69,85	29,360	29,48	PHS 160-1BH22			
23	400,05	A	38,10	–	–	–	–	–	29,360	22,68	PHS 160-1A23		
	400,05	B	–	38,10	133,35	177,80	69,85	29,360	30,84	PHS 160-1BH23			
24	416,31	A	38,10	–	–	–	–	–	29,360	25,40	PHS 160-1A24		
	416,31	B	–	38,10	133,35	177,80	76,20	29,360	34,93	PHS 160-1BH24			
25	432,56	A	38,10	–	–	–	–	–	29,360	27,67	PHS 160-1A25		
	432,56	B	–	38,10	133,35	177,80	76,20	29,360	36,74	PHS 160-1BH25			
26	448,82	A	38,10	–	–	–	–	–	29,360	29,48	PHS 160-1A26		
	448,82	B	–	38,10	133,35	177,80	76,20	29,360	39,01	PHS 160-1B26			
27	465,07	A	38,10	–	–	–	–	–	29,360	32,21	PHS 160-1A27		
	465,07	B	–	38,10	133,35	177,80	76,20	29,360	41,28	PHS 160-1B27			
28	481,33	A	38,10	–	–	–	–	–	29,360	34,93	PHS 160-1A28		
	481,33	B	–	38,10	133,35	177,80	76,20	29,360	44,45	PHS 160-1B28			

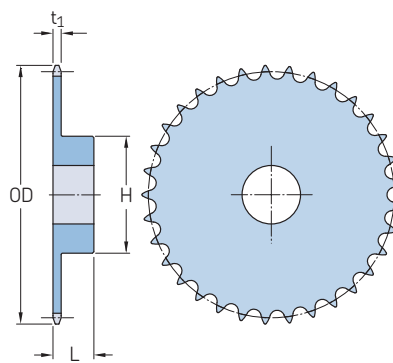
Maximum bores can accommodate standard keyways. Larger bores are available where a shallow keyway is used or no keyway is required. All Type B or C sprockets, up to and including 25 tooth, are with hardened teeth as standard. For any additional size sprockets with hardened teeth, add "H" before the number of teeth, e.g. PHS 25-1BH9.

# ANSI sprockets, simplex, pilot bore

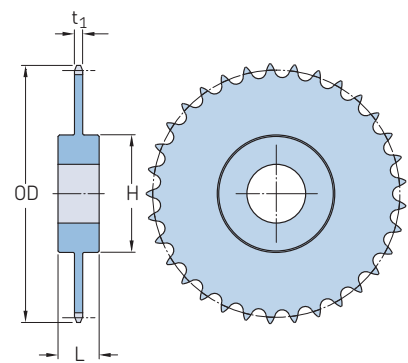
ANSI 160-1 · 50,80 mm (2") pitch | ANSI 180-1 · 57,15 mm (2¼") pitch



Type A



Type B



Type C

Pitch	Number of teeth	Outside diameter	Type	Dimensions		Hub	Plate thickness	Mass	Designation		
				Bore stock	Bore						
mm	in.	mm		mm	Min.	Max.	H	L	t <sub>1</sub>	kg	
50,80	2	30	A	38,10	-	-	-	-	29,360	40,82	PHS 160-1A30
			B	-	38,10	133,35	177,80	76,20	29,360	48,99	PHS 160-1B30
	35	A	38,10	-	-	-	-	29,360	54,88	PHS 160-1A35	
		C	-	38,10	139,70	203,20	114,30	29,360	69,85	PHS 160-1C35	
	40	A	38,10	-	-	-	-	29,360	62,60	PHS 160-1A40	
		C	-	38,10	139,70	203,20	114,30	29,360	88,90	PHS 160-1C40	
	45	A	38,10	-	-	-	-	29,360	92,53	PHS 160-1A45	
		C	-	38,10	139,70	203,20	127,00	29,360	106,14	PHS 160-1C45	
	54	A	38,10	-	-	-	-	29,360	133,36	PHS 160-1A54	
		C	-	38,10	139,70	203,20	127,00	29,360	125,19	PHS 160-1C54	
	60	A	38,10	-	-	-	-	29,360	166,01	PHS 160-1A60	
		C	-	38,10	139,70	203,20	127,00	29,360	149,23	PHS 160-1C60	
	70	A	38,10	-	-	-	-	29,360	229,97	PHS 160-1A70	
		C	-	38,10	139,70	203,20	127,00	29,360	202,30	PHS 160-1C70	
	80	A	38,10	-	-	-	-	29,360	297,56	PHS 160-1A80	
		C	-	38,10	139,70	203,20	152,40	29,360	277,60	PHS 160-1C80	
57,15	2¼	11	A	38,10	-	-	-	-	33,050	6,35	PHS 180-1A11
			B	-	38,10	92,08	139,70	76,20	33,050	13,15	PHS 180-1BH11
	12	A	38,10	-	-	-	-	33,050	7,26	PHS 180-1A12	
		B	-	38,10	101,60	152,40	76,20	33,050	14,51	PHS 180-1BH12	
	13	A	38,10	-	-	-	-	33,050	9,07	PHS 180-1A13	
		B	-	38,10	117,48	171,45	79,38	33,050	18,14	PHS 180-1BH13	
	14	A	38,10	-	-	-	-	33,050	10,89	PHS 180-1A14	
		B	-	38,10	133,35	177,80	79,38	33,050	19,96	PHS 180-1BH14	
	15	A	38,10	-	-	-	-	33,050	12,70	PHS 180-1A15	
		B	-	38,10	133,35	177,80	79,38	33,050	21,77	PHS 180-1BH15	
	16	A	38,10	-	-	-	-	33,050	14,51	PHS 180-1A16	
		B	-	38,10	133,35	177,80	79,38	33,050	23,59	PHS 180-1BH16	
	17	A	38,10	-	-	-	-	33,050	16,78	PHS 180-1A17	
		B	-	38,10	133,35	177,80	79,38	33,050	26,31	PHS 180-1BH17	
	18	A	38,10	-	-	-	-	33,050	19,50	PHS 180-1A18	
		B	-	38,10	133,35	177,80	79,38	33,050	28,58	PHS 180-1BH18	
	19	A	38,10	-	-	-	-	33,050	21,32	PHS 180-1A19	
		B	-	38,10	136,53	190,50	85,73	33,050	33,57	PHS 180-1BH19	
	20	A	38,10	-	-	-	-	33,050	24,04	PHS 180-1A20	
		B	-	38,10	136,53	190,50	85,73	33,050	36,74	PHS 180-1BH20	
	21	A	38,10	-	-	-	-	33,050	25,85	PHS 180-1A21	
		B	-	38,10	136,53	190,50	85,73	33,050	37,65	PHS 180-1BH21	
	22	A	38,10	-	-	-	-	33,050	28,12	PHS 180-1A22	
		B	-	38,10	136,53	190,50	85,73	33,050	41,73	PHS 180-1BH22	
23	A	38,10	-	-	-	-	33,050	31,30	PHS 180-1A23		
	B	-	38,10	136,53	190,50	85,73	33,050	44,91	PHS 180-1BH23		
24	A	38,10	-	-	-	-	33,050	34,93	PHS 180-1A24		

Maximum bores can accommodate standard keyways. Larger bores are available where a shallow keyway is used or no keyway is required. All Type B or C sprockets, up to and including 25 tooth, are with hardened teeth as standard. For any additional size sprockets with hardened teeth, add "H" before the number of teeth, e.g. PHS 25-1BH9.



# ANSI sprockets, simplex, pilot bore

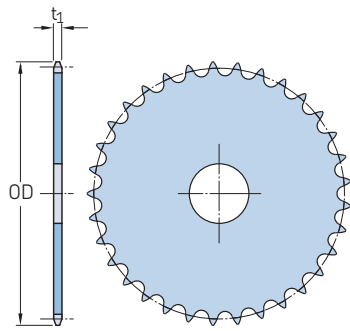
ANSI 180-1 · 57,15 mm (2¼") pitch | ANSI 200-1 · 63,50 mm (2½") pitch

Pitch		Number of teeth	Outside diameter OD	Type	Dimensions		Hub		Plate thickness t <sub>1</sub>	Mass kg	Designation	
mm	in.				Bore stock	Bore	H	L				
					Min.	Max.						
57,15	2¼	24	468,38	B	–	38,10	136,53	190,50	85,73	33,050	47,63	PHS 180-1BH24
		25	486,66	A	38,10	–	–	–	–	33,050	38,10	PHS 180-1A25
			486,66	B	–	38,10	136,53	190,50	85,73	33,050	51,26	PHS 180-1BH25
		28	541,53	A	38,10	–	–	–	–	33,050	47,17	PHS 180-1A28
			541,53	B	–	38,10	139,70	203,20	88,90	33,050	61,23	PHS 180-1B28
		30	578,10	A	38,10	–	–	–	–	33,050	54,43	PHS 180-1A30
			578,10	C	–	38,10	146,05	215,90	111,13	33,050	81,65	PHS 180-1C30
		35	669,29	A	38,10	–	–	–	–	33,050	78,02	PHS 180-1A35
			669,29	C	–	38,10	146,05	215,90	111,13	33,050	100,70	PHS 180-1C35
		40	760,48	A	38,10	–	–	–	–	33,050	103,87	PHS 180-1A40
			760,48	C	–	38,10	146,05	215,90	111,13	33,050	122,47	PHS 180-1C40
		45	851,66	A	38,10	–	–	–	–	33,050	128,82	PHS 180-1A45
			851,66	C	–	38,10	152,40	228,60	127,00	33,050	142,88	PHS 180-1C45
		54	1015,49	A	38,10	–	–	–	–	33,050	190,51	PHS 180-1A54
1015,49	C		–	38,10	152,40	228,60	127,00	33,050	216,36	PHS 180-1C54		
60	1124,71	A	38,10	–	–	–	–	33,050	229,06	PHS 180-1A60		
	1124,71	C	–	38,10	165,10	241,30	136,53	33,050	221,81	PHS 180-1C60		
63,50	2½	10	233,68	A	38,10	–	–	–	35,280	7,26	PHS 200-1A10	
			233,68	B	–	38,10	95,25	139,70	76,20	35,280	11,79	PHS 200-1BH10
		11	254,51	A	38,10	–	–	–	–	35,280	9,07	PHS 200-1A11
			254,51	B	–	38,10	101,60	152,40	76,20	35,280	14,97	PHS 200-1BH11
		12	275,08	A	38,10	–	–	–	–	35,280	10,89	PHS 200-1A12
			275,08	B	–	38,10	114,30	165,10	76,20	35,280	16,78	PHS 200-1BH12
		13	295,66	A	38,10	–	–	–	–	35,280	13,61	PHS 200-1A13
			295,66	B	–	38,10	133,35	177,80	76,20	35,280	20,87	PHS 200-1BH13
		14	316,48	A	38,10	–	–	–	–	35,280	14,51	PHS 200-1A14
			316,48	B	–	38,10	136,53	190,50	88,90	35,280	26,76	PHS 200-1BH14
		15	336,80	A	38,10	–	–	–	–	35,280	18,14	PHS 200-1A15
			336,80	B	–	38,10	136,53	190,50	88,90	35,280	29,03	PHS 200-1BH15
		16	357,38	A	38,10	–	–	–	–	35,280	20,87	PHS 200-1A16
			357,38	B	–	38,10	136,53	190,50	88,90	35,280	32,66	PHS 200-1BH16
		17	377,70	A	38,10	–	–	–	–	35,280	23,13	PHS 200-1A17
			377,70	B	–	38,10	136,53	190,50	88,90	35,280	34,47	PHS 200-1BH17
		18	398,27	A	38,10	–	–	–	–	35,280	25,85	PHS 200-1A18
			398,27	B	–	38,10	136,53	190,50	88,90	35,280	38,10	PHS 200-1BH18
		19	418,59	A	38,10	–	–	–	–	35,280	29,48	PHS 200-1A19
			418,59	B	–	38,10	136,53	190,50	88,90	35,280	41,28	PHS 200-1BH19
		20	439,17	A	38,10	–	–	–	–	35,280	32,66	PHS 200-1A20
439,17	B		–	38,10	136,53	190,50	88,90	35,280	44,45	PHS 200-1BH20		
21	459,49	A	38,10	–	–	–	–	35,280	37,19	PHS 200-1A21		
	459,49	B	–	38,10	136,53	190,50	88,90	35,280	48,08	PHS 200-1BH21		
22	479,81	A	38,10	–	–	–	–	35,280	39,92	PHS 200-1A22		
	479,81	B	–	38,10	146,05	215,90	101,60	35,280	59,42	PHS 200-1BH22		
23	500,13	A	38,10	–	–	–	–	35,280	43,09	PHS 200-1A23		
	500,13	B	–	38,10	146,05	215,90	101,60	35,280	61,69	PHS 200-1BH23		
24	520,45	A	38,10	–	–	–	–	35,280	47,63	PHS 200-1A24		
	520,45	B	–	38,10	146,05	215,90	101,60	35,280	64,41	PHS 200-1BH24		
25	540,77	A	38,10	–	–	–	–	35,280	51,26	PHS 200-1A25		
	540,77	B	–	38,10	146,05	215,90	101,60	35,280	69,40	PHS 200-1BH25		
26	561,09	A	38,10	–	–	–	–	35,280	56,25	PHS 200-1A26		
	561,09	C	–	38,10	146,05	215,90	114,30	35,280	80,74	PHS 200-1C26		
28	601,73	A	38,10	–	–	–	–	35,280	65,32	PHS 200-1A28		
	601,73	C	–	38,10	146,05	215,90	114,30	35,280	88,45	PHS 200-1C28		
30	642,37	A	38,10	–	–	–	–	35,280	75,75	PHS 200-1A30		
	642,37	C	–	38,10	146,05	215,90	114,30	35,280	96,16	PHS 200-1C30		
32	682,75	A	38,10	–	–	–	–	35,280	88,45	PHS 200-1A32		
	682,75	C	–	38,10	146,05	215,90	114,30	35,280	99,79	PHS 200-1C32		
35	743,71	A	38,10	–	–	–	–	35,280	102,97	PHS 200-1A35		
	743,71	C	–	38,10	146,05	215,90	114,30	35,280	115,21	PHS 200-1C35		

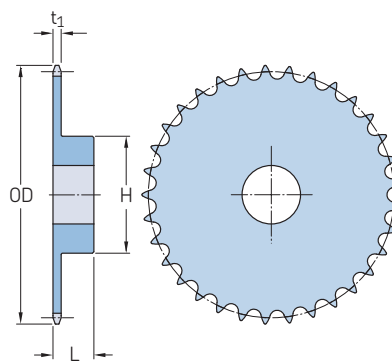
Maximum bores can accommodate standard keyways. Larger bores are available where a shallow keyway is used or no keyway is required. All Type B or C sprockets, up to and including 25 tooth, are with hardened teeth as standard. For any additional size sprockets with hardened teeth, add "H" before the number of teeth, e.g. PHS 25-1BH9.

# ANSI sprockets, simplex, pilot bore

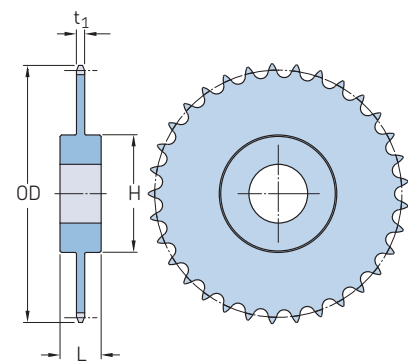
ANSI 200-1 · 63,50 mm (2½") pitch | ANSI 240-1 · 76,20 mm (3") pitch



Type A



Type B



Type C

Pitch	Number of teeth	Outside diameter OD	Type	Dimensions		Hub H	Hub L	Plate thickness t <sub>1</sub>	Mass	Designation
				Bore stock	Bore Min. Max.					
mm	in.	mm	-	mm	mm	mm	mm	mm	kg	-
63,50	2½	845,06 845,06	A	38,10	-	-	-	35,280	136,53	PHS 200-1A40
			C	-	38,10	152,40	228,60	127,00	35,280	145,15
	45	946,15 946,15	A	38,10	-	-	-	35,280	176,90	PHS 200-1A45
			C	-	38,10	152,40	228,60	127,00	35,280	165,11
	54	1128,27 1128,27	A	38,10	-	-	-	35,280	251,74	PHS 200-1A54
			C	-	38,10	165,10	241,30	139,70	35,280	232,24
	60	1249,68 1249,68	A	38,10	-	-	-	35,280	313,89	PHS 200-1A60
			C	-	38,10	165,10	241,30	139,70	35,280	296,65
76,20	3	280,16 280,16	A	38,10	-	-	-	44,150	13,61	PHS 240-1A10
			B	-	38,10	114,30	165,10	85,73	44,150	22,23
	11	305,31 305,31	A	38,10	-	-	-	44,150	16,78	PHS 240-1A11
			B	-	38,10	120,65	177,80	98,43	44,150	29,94
	12	330,20 330,20	A	38,10	-	-	-	44,150	20,41	PHS 240-1A12
			B	-	38,10	136,53	190,50	98,43	44,150	32,66
	13	354,84 354,84	A	38,10	-	-	-	44,150	24,49	PHS 240-1A13
			B	-	38,10	136,53	190,50	98,43	44,150	36,74
	14	379,48 379,48	A	38,10	-	-	-	44,150	28,12	PHS 240-1A14
			B	-	38,10	136,53	190,50	98,43	44,150	39,92
	15	404,11 404,11	A	38,10	-	-	-	44,150	30,84	PHS 240-1A15
			B	-	38,10	136,53	190,50	98,43	44,150	44,45
	16	428,75 428,75	A	38,10	-	-	-	44,150	37,19	PHS 240-1A16
			B	-	38,10	139,70	203,20	104,78	44,150	54,43
	17	453,39 453,39	A	38,10	-	-	-	44,150	42,18	PHS 240-1A17
			B	-	38,10	139,70	203,20	104,78	44,150	62,14
	18	477,77 477,77	A	38,10	-	-	-	44,150	48,99	PHS 240-1A18
			B	-	38,10	139,70	203,20	104,78	44,150	64,41
	19	502,41 502,41	A	38,10	-	-	-	44,150	54,43	PHS 240-1A19
			B	-	38,10	139,70	203,20	104,78	44,150	69,85
20	526,80 526,80	A	38,10	-	-	-	44,150	58,06	PHS 240-1A20	
		B	-	38,10	139,70	203,20	104,78	44,150	76,66	PHS 240-1BH20
21	551,43 551,43	A	38,10	-	-	-	44,150	67,13	PHS 240-1A21	
		B	-	38,10	139,70	203,20	104,78	44,150	84,37	PHS 240-1BH21
25	648,97 648,97	A	38,10	-	-	-	44,150	94,35	PHS 240-1A25	
		B	-	38,10	139,70	203,20	104,78	44,150	115,21	PHS 240-1BH25
30	770,64 770,64	A	38,10	-	-	-	44,150	140,61	PHS 240-1A30	
		C	-	38,10	152,40	228,60	158,75	44,150	180,53	PHS 240-1C30
35	892,30 892,30	A	38,10	-	-	-	44,150	188,69	PHS 240-1A35	
		C	-	38,10	152,40	228,60	158,75	44,150	239,04	PHS 240-1C35
40	1013,97 1013,97	A	38,10	-	-	-	44,150	248,57	PHS 240-1A40	
		C	-	38,10	177,80	254,00	171,45	44,150	304,81	PHS 240-1C40
45	1135,38 1135,38	A	38,10	-	-	-	44,150	318,42	PHS 240-1A45	
		C	-	38,10	177,80	254,00	171,45	44,150	385,55	PHS 240-1C45
54		1354,07	A	38,10	-	-	-	44,150	463,57	PHS 240-1A54

Maximum bores can accommodate standard keyways. Larger bores are available where a shallow keyway is used or no keyway is required. All Type B or C sprockets, up to and including 25 tooth, are with hardened teeth as standard. For any additional size sprockets with hardened teeth, add "H" before the number of teeth, e.g. PHS 25-1BH9.

## ANSI sprockets, simplex, pilot bore

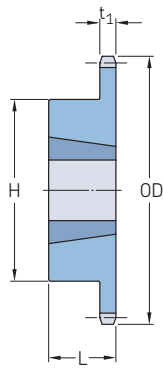
ANSI 240-1 · 76,20 mm (3") pitch

Pitch		Number of teeth	Outside diameter OD	Type	Dimensions			Hub		Plate thickness t <sub>1</sub>	Mass	Designation
mm	in.				Bore stock	Bore Min.	Bore Max.	H	L			
mm	in.	–	mm	–	mm					kg	–	
<b>76,20</b>	<b>3</b>	<b>54</b>	1354,07	C	–	38,10	177,80	254,00	171,45	44,150	520,72	<b>PHS 240-1C54</b>
		<b>60</b>	1499,62 1499,62	A C	38,10 –	– 38,10	– 177,80	– 254,00	– 171,45	44,150 44,150	575,15 643,65	<b>PHS 240-1A60</b> <b>PHS 240-1C60</b>

Maximum bores can accommodate standard keyways. Larger bores are available where a shallow keyway is used or no keyway is required. All Type B or C sprockets, up to and including 25 tooth, are with hardened teeth as standard. For any additional size sprockets with hardened teeth, add "H" before the number of teeth, e.g. PHS 25-1BH9.

**ANSI sprockets, simplex, taper bushed**

ANSI 35-1 · 9,53 mm (3/8") pitch | ANSI 41-1 · 12,70 mm (1/2") pitch



Type B

Pitch	Number of teeth	Diameters		Type	Bushing number	Dimensions				Plate thickness $t_1$	Mass Rim	Bushing	Designation	
		Outside OD	Pitch PD			Bore		L	H					
mm	in.	mm	mm	-	-	mm	mm	mm	mm	mm	kg	-	-	
9,53	3/8	18	59,69	54,86	B	1008	9,53	25,40	22,23	47,63	4,270	0,2	0,1	PHS 35-1TBH18
		19	62,74	57,91	B	1008	9,53	25,40	22,23	46,04	4,270	0,2	0,1	PHS 35-1TBH19
	20	65,79	60,96	B	1008	9,53	25,40	22,23	49,21	4,270	0,3	0,1	PHS 35-1TBH20	
	21	68,83	64,01	B	1008	9,53	25,40	22,23	52,39	4,270	0,3	0,1	PHS 35-1TBH21	
	22	73,15	66,80	B	1210	15,88	31,75	25,40	60,33	4,270	0,4	0,3	PHS 35-1TBH22	
	23	74,93	69,85	B	1210	15,88	31,75	25,40	61,91	4,270	0,4	0,3	PHS 35-1TBH23	
	24	77,98	72,90	B	1210	15,88	31,75	25,40	61,91	4,270	0,4	0,3	PHS 35-1TBH24	
	25	81,03	75,95	B	1210	15,88	31,75	25,40	61,91	4,270	0,5	0,3	PHS 35-1TBH25	
	26	84,07	78,99	B	1610	12,70	41,28	25,40	73,03	4,270	0,5	0,4	PHS 35-1TB26	
	28	90,17	85,09	B	1610	12,70	41,28	25,40	73,03	4,270	0,5	0,4	PHS 35-1TB28	
	30	96,27	91,19	B	1610	12,70	41,28	25,40	79,38	4,270	0,5	0,4	PHS 35-1TB30	
	32	102,36	97,28	B	1610	12,70	41,28	25,40	82,55	4,270	0,6	0,4	PHS 35-1TB32	
	35	111,51	106,17	B	1610	12,70	41,28	25,40	82,55	4,270	0,6	0,4	PHS 35-1TB35	
	36	114,55	109,22	B	1610	12,70	41,28	25,40	82,55	4,270	0,6	0,4	PHS 35-1TB36	
	40	126,75	121,67	B	1610	12,70	41,28	25,40	82,55	4,270	0,9	0,4	PHS 35-1TB40	
	42	132,84	127,51	B	1610	12,70	41,28	25,40	82,55	4,270	0,9	0,4	PHS 35-1TB42	
	45	141,99	136,65	B	1610	12,70	41,28	25,40	82,55	4,270	1,0	0,4	PHS 35-1TB45	
	48	151,13	145,54	B	1610	12,70	41,28	25,40	82,55	4,270	1,0	0,4	PHS 35-1TB48	
	54	169,16	163,83	B	1610	12,70	41,28	25,40	82,55	4,270	1,2	0,4	PHS 35-1TB54	
	60	187,45	182,12	B	1610	12,70	41,28	25,40	82,55	4,270	1,4	0,4	PHS 35-1TB60	
	70	217,68	212,34	B	1610	12,70	41,28	25,40	82,55	4,270	1,7	0,4	PHS 35-1TB70	
	72	223,77	218,44	B	1610	12,70	41,28	25,40	82,55	4,270	1,8	0,4	PHS 35-1TB72	
80	248,16	242,57	B	1610	12,70	41,28	25,40	82,55	4,270	2,0	0,4	PHS 35-1TB80		
84	260,35	254,76	B	1610	12,70	41,28	25,40	82,55	4,270	2,2	0,4	PHS 35-1TB84		
96	296,67	291,08	B	1610	12,70	41,28	25,40	82,55	4,270	2,7	0,4	PHS 35-1TB96		
112	345,19	339,60	B	1610	12,70	41,28	25,40	82,55	4,270	3,5	0,4	PHS 35-1TB112		
12,70	1/2	14	63,25	57,15	B	1008	9,53	25,40	22,23	47,63	5,770	0,2	0,1	PHS 41-1TBH14
		15	67,31	60,96	B	1008	9,53	25,40	22,23	47,63	5,770	0,2	0,1	PHS 41-1TBH15
	16	71,37	63,50	B	1008	9,53	25,40	22,23	50,80	5,770	0,3	0,1	PHS 41-1TBH16	
	17	75,44	69,09	B	1210	15,88	31,75	25,40	60,33	5,770	0,3	0,3	PHS 41-1TBH17	
	18	79,76	73,15	B	1210	15,88	31,75	25,40	85,73	5,770	0,4	0,3	PHS 41-1TBH18	
	19	83,82	77,22	B	1210	15,88	31,75	25,40	63,50	5,770	0,5	0,3	PHS 41-1TBH19	
	20	87,88	81,28	B	1610	12,70	41,28	25,40	73,03	5,770	0,5	0,4	PHS 41-1TBH20	
	21	91,95	85,34	B	1610	12,70	41,28	25,40	76,20	5,770	0,5	0,4	PHS 41-1TBH21	
	22	96,01	89,15	B	1610	12,70	41,28	25,40	76,20	5,770	0,6	0,4	PHS 41-1TBH22	
	23	100,08	93,22	B	1610	12,70	41,28	25,40	76,20	5,770	0,6	0,4	PHS 41-1TBH23	
	24	104,14	97,28	B	1610	12,70	41,28	25,40	76,20	5,770	0,6	0,4	PHS 41-1TBH24	
	25	108,20	101,35	B	1610	12,70	41,28	25,40	76,20	5,770	0,7	0,4	PHS 41-1TBH25	
	26	112,27	105,41	B	1610	12,70	41,28	25,40	76,20	5,770	0,7	0,4	PHS 41-1TB26	
	28	120,40	113,54	B	1610	12,70	41,28	25,40	76,20	5,770	0,8	0,4	PHS 41-1TB28	
	30	128,52	121,41	B	1610	12,70	41,28	25,40	76,20	5,770	0,8	0,4	PHS 41-1TB30	
	32	136,65	129,54	B	1610	12,70	41,28	25,40	76,20	5,770	0,9	0,4	PHS 41-1TB32	
	35	148,84	141,73	B	1610	12,70	41,28	25,40	76,20	5,770	1,0	0,4	PHS 41-1TB35	
	36	152,91	145,80	B	1610	12,70	41,28	25,40	76,20	5,770	1,1	0,4	PHS 41-1TB36	
	40	168,91	161,80	B	1610	12,70	41,28	25,40	76,20	5,770	1,2	0,4	PHS 41-1TB40	
	45	189,23	182,12	B	1610	12,70	41,28	25,40	76,20	5,770	1,6	0,4	PHS 41-1TB45	
	48	201,42	194,06	B	1610	12,70	41,28	25,40	76,20	5,770	1,9	0,4	PHS 41-1TB48	
	54	225,55	218,44	B	1610	12,70	41,28	25,40	76,20	5,770	2,2	0,4	PHS 41-1TB54	
60	249,94	242,57	B	1610	12,70	41,28	25,40	76,20	5,770	2,6	0,4	PHS 41-1TB60		
70	290,32	282,96	B	1610	12,70	41,28	25,40	76,20	5,770	3,4	0,4	PHS 41-1TB70		
72	298,45	291,08	B	1610	12,70	41,28	25,40	76,20	5,770	3,7	0,4	PHS 41-1TB72		
80	330,96	323,60	B	1610	12,70	41,28	25,40	76,20	5,770	4,4	0,4	PHS 41-1TB80		
96	395,48	388,11	B	1610	12,70	41,28	25,40	76,20	5,770	5,9	0,4	PHS 41-1TB96		

All Type B or C sprockets, up to and including 25 tooth, are with hardened teeth as standard. For any additional size sprockets with hardened teeth, add "H" before the number of teeth, e.g. PHS 35-1TBH18.

**ANSI sprockets, simplex, taper bushed**

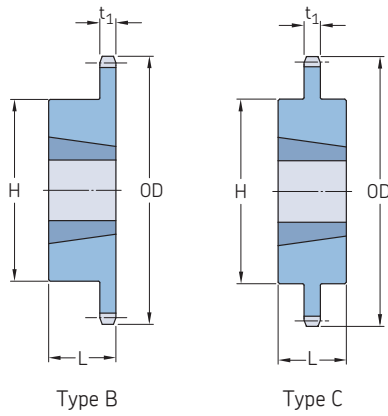
ANSI 40-1 · 12,70 mm (1/2") pitch | ANSI 50-1 · 15,88 mm (5/8") pitch | ANSI 60-1 · 19,05 mm (3/4") pitch

Pitch	Number of teeth	Diameters		Type	Bushing number	Dimensions				Plate thickness <i>t<sub>i</sub></i>	Mass Rim	Bushing	Designation			
		Outside OD	Pitch PD			Bore Min.	Bore Max.	L	H							
mm	in.	–	mm	–	–	mm	mm	mm	mm	mm	kg	–	–			
12,70	1/2	14	63,25	57,15	B	1008	9,53	25,40	22,23	46,04	7,210	0,1	0,1	PHS 40-1TBH14		
		15	67,31	60,96	B	1008	9,53	25,40	22,23	46,04	7,210	0,2	0,1	PHS 40-1TBH15		
		16	71,37	65,02	B	1008	9,53	25,40	22,23	49,21	7,210	0,2	0,1	PHS 40-1TBH16		
		17	75,69	69,09	B	1210	15,88	31,75	25,40	60,33	7,210	0,2	0,1	PHS 40-1TBH17		
		18	79,50	73,15	B	1210	15,88	31,75	25,40	62,71	7,210	0,3	0,3	PHS 40-1TBH18		
		19	83,82	77,22	B	1210	15,88	31,75	25,40	62,71	7,210	0,3	0,3	PHS 40-1TBH19		
		20	87,88	81,28	B	1610	12,70	41,28	25,40	70,64	7,210	0,3	0,4	PHS 40-1TBH20		
		21	91,95	85,34	B	1610	12,70	41,28	25,40	70,64	7,210	0,4	0,4	PHS 40-1TBH21		
		22	96,01	89,15	B	1610	12,70	41,28	25,40	70,64	7,210	0,4	0,4	PHS 40-1TBH22		
		23	100,08	93,22	B	1610	12,70	41,28	25,40	76,20	7,210	0,5	0,4	PHS 40-1TBH23		
		24	104,14	97,28	B	1610	12,70	41,28	25,40	82,55	7,210	0,6	0,4	PHS 40-1TBH24		
		25	108,20	101,35	B	1610	12,70	41,28	25,40	82,55	7,210	0,7	0,4	PHS 40-1TBH25		
		26	112,27	105,41	B	1610	12,70	41,28	25,40	82,55	7,210	0,8	0,4	PHS 40-1TB26		
		28	120,40	113,54	B	1610	12,70	41,28	25,40	76,20	7,210	0,8	0,4	PHS 40-1TB28		
		30	128,52	121,41	B	1610	12,70	41,28	25,40	76,20	7,210	0,9	0,4	PHS 40-1TB30		
		32	136,65	129,54	B	1610	12,70	41,28	25,40	76,20	7,210	0,9	0,4	PHS 40-1TB32		
		35	148,84	141,73	B	1610	12,70	41,28	25,40	76,20	7,210	1,0	0,4	PHS 40-1TB35		
		36	152,65	145,80	B	1610	12,70	41,28	25,40	76,20	7,210	1,1	0,4	PHS 40-1TB36		
		40	168,91	161,80	B	1610	12,70	41,28	25,40	76,20	7,210	1,3	0,4	PHS 40-1TB40		
		42	177,04	169,93	B	1610	12,70	41,28	25,40	76,20	7,210	1,3	0,4	PHS 40-1TB42		
		45	189,23	182,12	B	1610	12,70	41,28	25,40	76,20	7,210	1,6	0,4	PHS 40-1TB45		
		48	201,42	194,06	B	1610	12,70	41,28	25,40	76,20	7,210	1,8	0,4	PHS 40-1TB48		
		54	225,55	218,44	B	1610	12,70	41,28	25,40	76,20	7,210	2,2	0,4	PHS 40-1TB54		
		60	249,94	242,57	B	1610	12,70	41,28	25,40	76,20	7,210	2,7	0,4	PHS 40-1TB60		
		70	290,32	282,96	B	2012	19,05	50,80	31,75	90,49	7,210	3,7	0,8	PHS 40-1TB70		
		72	298,45	291,08	B	2012	19,05	50,80	31,75	90,49	7,210	4,1	0,8	PHS 40-1TB72		
		80	330,96	323,60	B	2012	19,05	50,80	31,75	90,49	7,210	4,9	0,8	PHS 40-1TB80		
		84	346,96	339,60	B	2012	19,05	50,80	31,75	90,49	7,210	5,1	0,8	PHS 40-1TB84		
		96	395,48	388,11	B	2012	19,05	50,80	31,75	90,49	7,210	6,6	0,8	PHS 40-1TB96		
		112	460,25	452,88	B	2517	19,05	63,50	44,45	107,95	7,210	9,3	0,8	PHS 40-1TB112		
		15,88	5/8	12	68,83	61,47	B	1008	9,53	25,40	22,23	49,21	8,710	0,2	0,1	PHS 50-1TBH12
				13	73,91	66,29	B	1008	9,53	25,40	22,23	46,04	8,710	0,2	0,1	PHS 50-1TBH13
				14	78,99	71,37	B	1008	9,53	25,40	22,23	49,21	8,710	0,3	0,1	PHS 50-1TBH14
				15	84,07	76,45	B	1210	15,88	31,75	25,40	62,71	8,710	0,3	0,3	PHS 50-1TBH15
				16	89,41	81,28	B	1610	12,70	41,28	25,40	70,64	8,710	0,3	0,4	PHS 50-1TBH16
				17	94,49	86,36	B	1610	12,70	41,28	25,40	70,64	8,710	0,4	0,4	PHS 50-1TBH17
				18	99,57	91,44	B	1610	12,70	41,28	25,40	70,64	8,710	0,4	0,4	PHS 50-1TBH18
				19	104,65	96,52	B	1610	12,70	41,28	25,40	76,20	8,710	0,6	0,4	PHS 50-1TBH19
				20	109,73	101,60	B	1610	12,70	41,28	25,40	82,55	8,710	0,7	0,4	PHS 50-1TBH20
				21	114,81	106,43	B	1610	12,70	41,28	25,40	76,20	8,710	0,7	0,4	PHS 50-1TBH21
				22	119,89	111,51	B	1610	12,70	41,28	25,40	76,20	8,710	0,7	0,4	PHS 50-1TBH22
				23	124,97	116,59	B	2012	19,05	50,80	31,75	90,49	8,710	0,9	0,8	PHS 50-1TBH23
				24	130,05	121,67	B	2012	19,05	50,80	31,75	90,49	8,710	1,0	0,8	PHS 50-1TBH24
				25	135,13	126,75	B	2012	19,05	50,80	31,75	90,49	8,710	1,1	0,8	PHS 50-1TBH25
				26	140,21	131,57	B	2012	19,05	50,80	31,75	90,49	8,710	1,1	0,8	PHS 50-1TB26
				27	145,29	136,65	B	2012	19,05	50,80	31,75	90,49	8,710	1,2	0,8	PHS 50-1TB27
				28	150,37	141,73	B	2012	19,05	50,80	31,75	90,49	8,710	1,3	0,8	PHS 50-1TB28
30	160,53			151,89	B	2012	19,05	50,80	31,75	90,49	8,710	1,5	0,8	PHS 50-1TB30		
32	170,69			162,05	B	2012	19,05	50,80	31,75	90,49	8,710	1,6	0,8	PHS 50-1TB32		
35	185,93			177,04	B	2012	19,05	50,80	31,75	90,49	8,710	1,9	0,8	PHS 50-1TB35		
36	191,01			182,12	B	2012	19,05	50,80	31,75	90,49	8,710	2,0	0,8	PHS 50-1TB36		
40	211,33			202,44	B	2012	19,05	50,80	31,75	90,49	8,710	2,4	0,8	PHS 50-1TB40		
42	221,23			212,34	B	2012	19,05	50,80	31,75	90,49	8,710	2,7	0,8	PHS 50-1TB42		
45	236,47			227,58	B	2012	19,05	50,80	31,75	90,49	8,710	3,0	0,8	PHS 50-1TB45		
48	251,71			242,82	B	2012	19,05	50,80	31,75	90,49	8,710	3,3	0,8	PHS 50-1TB48		
54	282,19			273,05	B	2012	19,05	50,80	31,75	90,49	8,710	4,1	0,8	PHS 50-1TB54		
60	312,42			303,28	B	2012	19,05	50,80	31,75	90,49	8,710	4,9	0,8	PHS 50-1TB60		
70	362,97			353,82	B	2517	19,05	63,50	44,45	82,55	8,710	6,4	1,6	PHS 50-1TB70		
72	373,13			363,98	B	2517	19,05	63,50	44,45	82,55	8,710	7,0	1,6	PHS 50-1TB72		
80	413,51			404,37	B	2517	19,05	63,50	44,45	82,55	8,710	8,9	1,6	PHS 50-1TB80		
84	433,83			424,43	B	2517	19,05	63,50	44,45	82,55	8,710	10,2	1,6	PHS 50-1TB84		
96	494,54			485,14	B	2517	19,05	63,50	44,45	82,55	8,710	13,2	1,6	PHS 50-1TB96		
112	575,31			566,17	B	2517	19,05	63,50	44,45	82,55	8,710	17,6	1,6	PHS 50-1TB112		
19,05	3/4			11	76,20	67,56	B	1008	9,53	25,40	22,23	46,04	11,660	0,3	0,1	PHS 60-1TBH11
				12	82,55	73,66	B	1008	9,53	25,40	22,23	49,21	11,660	0,4	0,1	PHS 60-1TBH12
				13	88,65	79,50	B	1210	15,88	31,75	25,40	62,71	11,660	0,4	0,3	PHS 60-1TBH13
				14	95,00	85,60	B	1210	15,88	31,75	25,40	62,71	11,660	0,5	0,3	PHS 60-1TBH14
				15	101,09	91,69	B	1610	12,70	41,28	25,40	70,64	11,660	0,5	0,4	PHS 60-1TBH15
				16	107,19	97,54	B	1610	12,70	41,28	25,40	76,20	11,660	0,6	0,4	PHS 60-1TBH16
				17	113,28	103,63	B	1610	12,70	41,28	25,40	82,55	11,660	0,8	0,4	PHS 60-1TBH17
				18	119,38	109,73	B	1610	12,70	41,28	25,40	82,55	11,660	0,9	0,4	PHS 60-1TBH18
				19	125,73	115,82	B	1610	12,70	41,28	25,40	82,55	11,660	1,0	0,4	PHS 60-1TBH19
				20	131,57	121,67	B	2012	19,05	50,80	31,75	90,49	11,660	1,0	0,8	PHS 60-1TBH20

 All Type B or C sprockets, up to and including 25 tooth, are with hardened teeth as standard.  
 For any additional size sprockets with hardened teeth, add "H" before the number of teeth, e.g. PHS 35-1TBH18.

**ANSI sprockets, simplex, taper bushed**

ANSI 60-1 · 19,05 mm (3/4") pitch | ANSI 80-1 · 25,40 mm (1") pitch | ANSI 100-1 · 31,75 mm (1 1/4") pitch



Pitch	Number of teeth	Diameters		Type	Bushing number	Dimensions				Plate thickness $t_1$	Mass Rim	Bushing	Designation	
		Outside OD	Pitch PD			Bore Min.	Bore Max.	L	H					
mm	in.	mm	mm	-	-	mm	mm	mm	mm	mm	kg	-	-	
19,05	3/4	21	137,92	127,76	B	2012	19,05	50,80	31,75	90,49	11,660	1,1	0,8	PHS 60-1TBH21
		22	144,02	133,86	B	2012	19,05	50,80	31,75	90,49	11,660	1,3	0,8	PHS 60-1TBH22
		23	150,11	139,95	B	2012	19,05	50,80	31,75	90,49	11,660	1,4	0,8	PHS 60-1TBH23
		24	156,21	146,05	B	2012	19,05	50,80	31,75	90,49	11,660	1,5	0,8	PHS 60-1TBH24
		25	162,31	151,89	B	2012	19,05	50,80	31,75	90,49	11,660	1,7	0,8	PHS 60-1TBH25
	-	26	168,40	157,99	B	2012	19,05	50,80	31,75	90,49	11,660	1,8	0,8	PHS 60-1TB26
		27	174,50	163,07	B	2012	19,05	50,80	31,75	90,49	11,660	1,9	0,8	PHS 60-1TB27
		28	180,59	170,18	B	2012	19,05	50,80	31,75	90,49	11,660	2,1	0,8	PHS 60-1TB28
		30	192,79	182,12	B	2012	19,05	50,80	31,75	90,49	11,660	2,4	0,8	PHS 60-1TB30
		32	204,72	194,31	B	2012	19,05	50,80	31,75	90,49	11,660	2,5	0,8	PHS 60-1TB32
		35	223,01	212,60	B	2012	19,05	50,80	31,75	90,49	11,660	2,9	0,8	PHS 60-1TB35
		36	229,11	218,69	B	2012	19,05	50,80	31,75	90,49	11,660	3,0	0,8	PHS 60-1TB36
		40	253,49	242,82	B	2012	19,05	50,80	31,75	90,49	11,660	3,8	0,8	PHS 60-1TB40
		42	265,68	255,02	B	2012	19,05	50,80	31,75	90,49	11,660	4,5	0,8	PHS 60-1TB42
		45	283,97	273,05	B	2012	19,05	50,80	31,75	90,49	11,660	5,2	0,8	PHS 60-1TB45
		48	302,01	291,34	B	2012	19,05	50,80	31,75	90,49	11,660	6,0	0,8	PHS 60-1TB48
		54	338,58	327,66	B	2517	19,05	63,50	44,45	107,95	11,660	7,8	1,6	PHS 60-1TB54
		60	374,90	363,98	B	2517	19,05	63,50	44,45	107,95	11,660	9,5	1,6	PHS 60-1TB60
		70	435,61	424,69	B	2517	19,05	63,50	44,45	107,95	11,660	12,5	1,6	PHS 60-1TB70
		72	447,80	436,63	B	2517	19,05	63,50	44,45	107,95	11,660	13,6	1,6	PHS 60-1TB72
80	496,32	485,14	B	2517	19,05	63,50	44,45	107,95	11,660	16,5	1,6	PHS 60-1TB80		
84	520,45	509,52	B	2517	19,05	63,50	44,45	107,95	11,660	18,4	1,6	PHS 60-1TB84		
25,40	1	10	93,47	82,30	B	1215	15,88	31,75	38,10	60,33	14,600	0,5	0,4	PHS 80-1TBH10
		11	101,85	90,17	B	1215	15,88	31,75	38,10	62,71	14,600	0,7	0,4	PHS 80-1TBH11
		12	109,98	98,04	B	1615	12,70	41,28	38,10	76,20	14,600	0,8	0,5	PHS 80-1TBH12
		13	118,36	106,17	B	1615	12,70	41,28	38,10	76,20	14,600	1,0	0,5	PHS 80-1TBH13
	-	14	126,49	114,05	B	1615	12,70	41,28	38,10	82,55	14,600	1,1	0,5	PHS 80-1TBH14
		15	134,62	122,17	B	1615	12,70	41,28	38,10	82,55	14,600	1,2	0,5	PHS 80-1TBH15
		16	143,00	130,30	B	2012	19,05	50,80	31,75	90,49	14,600	1,3	0,8	PHS 80-1TBH16
		17	151,13	138,18	B	2012	19,05	50,80	31,75	90,49	14,600	1,4	0,8	PHS 80-1TBH17
		18	159,26	146,30	B	2012	19,05	50,80	31,75	90,49	14,600	1,2	0,8	PHS 80-1TBH18
		19	167,39	154,43	B	2012	19,05	50,80	31,75	90,49	14,600	1,9	0,8	PHS 80-1TBH19
		20	175,51	162,31	B	2517	19,05	63,50	44,45	107,95	14,600	2,5	0,8	PHS 80-1TBH20
		21	183,90	170,43	B	2517	19,05	63,50	44,45	107,95	14,600	2,7	1,6	PHS 80-1TBH21
		22	191,77	178,56	B	2517	19,05	63,50	44,45	107,95	14,600	3,0	1,6	PHS 80-1TBH22
		23	200,15	186,44	B	2517	19,05	63,50	44,45	107,95	14,600	3,2	1,6	PHS 80-1TBH23
		24	208,28	194,56	B	2517	19,05	63,50	44,45	107,95	14,600	3,4	1,6	PHS 80-1TBH24
		25	216,41	202,69	B	2517	19,05	63,50	44,45	107,95	14,600	3,7	1,6	PHS 80-1TBH25
		26	224,54	210,82	B	2517	19,05	63,50	44,45	107,95	14,600	4,0	1,6	PHS 80-1TB26
		27	232,66	218,69	B	2517	19,05	63,50	44,45	107,95	14,600	4,1	1,6	PHS 80-1TB27
		28	240,54	226,82	B	2517	19,05	63,50	44,45	107,95	14,600	4,3	1,6	PHS 80-1TB28
		30	256,79	243,08	B	2517	19,05	63,50	44,45	107,95	14,600	5,2	1,6	PHS 80-1TB30
32	273,05	259,08	B	2517	19,05	63,50	44,45	107,95	14,600	5,4	1,6	PHS 80-1TB32		
35	297,43	283,46	B	2517	19,05	63,50	44,45	107,95	14,600	6,9	1,6	PHS 80-1TB35		
36	305,56	291,34	B	2517	19,05	63,50	44,45	107,95	14,600	7,7	1,6	PHS 80-1TB36		
40	338,07	323,85	B	2517	19,05	63,50	44,45	107,95	14,600	9,5	1,6	PHS 80-1TB40		
45	378,46	364,24	B	2517	19,05	63,50	44,45	107,95	14,600	12,0	1,6	PHS 80-1TB45		
48	402,84	388,37	B	2517	19,05	63,50	44,45	107,95	14,600	13,4	1,6	PHS 80-1TB48		
54	451,36	436,88	B	2517	19,05	63,50	44,45	107,95	14,600	17,5	1,6	PHS 80-1TB54		
60	499,87	485,39	B	2517	19,05	63,50	44,45	107,95	14,600	20,4	1,6	PHS 80-1TB60		
70	580,90	566,17	B	3020	31,75	76,20	50,80	133,35	14,600	23,7	3,0	PHS 80-1TB70		
80	661,67	646,94	B	3020	31,75	76,20	50,80	133,35	14,600	31,4	3,0	PHS 80-1TB80		
31,75	1 1/4	11	127,25	112,78	B	1615	12,70	41,28	38,10	76,20	17,580	1,2	0,5	PHS 100-1TBH11

All Type B or C sprockets, up to and including 25 tooth, are with hardened teeth as standard. For any additional size sprockets with hardened teeth, add "H" before the number of teeth, e.g. PHS 35-1TBH18.

### ANSI sprockets, simplex, taper bushed

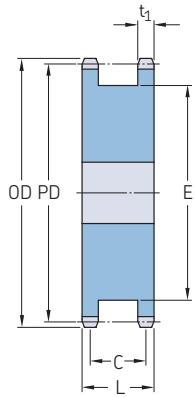
ANSI 100-1 · 31,75 mm (1¼") pitch | ANSI 120-1 · 38,10 mm (1½") pitch | ANSI 140-1 · 44,45 mm (1¾") pitch |  
ANSI 160-1 · 50,80 mm (2") pitch

Pitch		Number of teeth	Diameters		Type	Bushing number	Dimensions				Plate thickness <i>t</i> <sub>1</sub>	Mass Rim	Bushing	Designation		
			Outside	Pitch			Bore	L	H							
mm	in.	–	OD	PD	–	–	Min.	Max.			kg	–				
31,75	1¼	12	137,67	122,68	B	1615	12,70	41,28	38,10	82,55	17,580	1,6	0,5	PHS 100-1TBH12		
		13	147,83	132,59	B	2012	19,05	50,80	31,75	90,49	17,580	1,6	0,8	PHS 100-1TBH13		
		14	158,24	142,75	B	2012	19,05	50,80	31,75	90,49	17,580	1,8	0,8	PHS 100-1TBH14		
		15	168,40	152,65	B	2517	19,05	63,50	44,45	107,95	17,580	2,3	1,6	PHS 100-1TBH15		
		16	178,56	162,81	B	2517	19,05	63,50	44,45	114,30	17,580	2,9	1,6	PHS 100-1TBH16		
		17	188,98	172,72	B	2517	19,05	63,50	44,45	114,30	17,580	3,2	1,6	PHS 100-1TBH17		
		18	199,14	182,88	B	2517	19,05	63,50	44,45	114,30	17,580	3,5	1,6	PHS 100-1TBH18		
		19	209,30	192,79	B	2517	19,05	63,50	44,45	114,30	17,580	4,0	1,6	PHS 100-1TBH19		
		20	219,46	202,95	B	2517	19,05	63,50	44,45	114,30	17,580	4,4	1,6	PHS 100-1TBH20		
		21	229,62	213,11	B	2517	19,05	63,50	44,45	114,30	17,580	4,8	1,6	PHS 100-1TBH21		
		22	239,78	223,01	B	2517	19,05	63,50	44,45	114,30	17,580	5,0	1,6	PHS 100-1TBH22		
		24	260,10	243,33	B	2517	19,05	63,50	44,45	114,30	17,580	5,9	1,6	PHS 100-1TBH24		
		26	280,42	263,40	B	2517	19,05	63,50	44,45	114,30	17,580	6,8	1,6	PHS 100-1TB26		
		28	300,74	283,46	B	3020	31,75	76,20	50,80	133,35	17,580	7,5	3,0	PHS 100-1TB28		
		30	321,06	303,78	B	3020	31,75	76,20	50,80	133,35	17,580	10,0	3,0	PHS 100-1TB30		
		32	341,38	323,85	B	3020	31,75	76,20	50,80	133,35	17,580	10,4	3,0	PHS 100-1TB32		
		35	371,86	354,33	B	3020	31,75	76,20	50,80	133,35	17,580	12,7	3,0	PHS 100-1TB35		
		36	382,02	364,24	B	3020	31,75	76,20	50,80	133,35	17,580	14,1	3,0	PHS 100-1TB36		
		40	422,40	404,62	B	3020	31,75	76,20	50,80	133,35	17,580	16,8	3,0	PHS 100-1TB40		
		45	473,20	455,17	B	3020	31,75	76,20	50,80	133,35	17,580	20,9	3,0	PHS 100-1TB45		
		48	503,43	485,39	B	3020	31,75	76,20	50,80	133,35	17,580	24,0	3,0	PHS 100-1TB48		
		54	564,13	546,10	B	3020	31,75	76,20	50,80	133,35	17,580	28,1	3,0	PHS 100-1TB54		
		60	624,84	606,55	B	3020	31,75	76,20	50,80	133,35	17,580	32,7	3,0	PHS 100-1TB60		
		38,10	1½	12	165,10	147,32	B	2012	19,05	50,80	31,75	90,49	23,470	2,5	0,8	PHS 120-1TBH12
				13	175,26	159,26	B	2517	19,05	63,50	44,45	107,95	23,470	2,7	1,6	PHS 120-1TBH13
				14	189,74	171,20	B	2517	19,05	63,50	44,45	107,95	23,470	3,2	1,6	PHS 120-1TBH14
				15	202,18	183,13	B	2517	19,05	63,50	44,45	107,95	23,470	3,6	1,6	PHS 120-1TBH15
				16	214,38	195,33	B	3020	31,75	76,20	50,80	133,35	23,470	4,5	3,0	PHS 120-1TBH16
				17	226,57	207,26	B	3020	31,75	76,20	50,80	133,35	23,470	5,0	3,0	PHS 120-1TBH17
				18	239,01	219,46	B	3020	31,75	76,20	50,80	133,35	23,470	5,4	3,0	PHS 120-1TBH18
				19	251,21	231,39	B	3020	31,75	76,20	50,80	133,35	23,470	6,4	3,0	PHS 120-1TBH19
				20	263,40	243,59	B	3020	31,75	76,20	50,80	133,35	23,470	7,0	3,0	PHS 120-1TBH20
				21	275,59	255,52	B	3020	31,75	76,20	50,80	133,35	23,470	7,9	3,0	PHS 120-1TBH21
24	312,17			291,85	B	3020	31,75	76,20	50,80	133,35	23,470	10,7	3,0	PHS 120-1TBH24		
26	336,55			315,98	B	3020	31,75	76,20	50,80	133,35	23,470	12,9	3,0	PHS 120-1TB26		
30	385,32			364,49	B	3020	31,75	76,20	50,80	133,35	23,470	15,2	3,0	PHS 120-1TB30		
35	446,28			424,94	C	3020	31,75	76,20	50,80	133,35	23,470	23,6	3,0	PHS 120-1TB35		
45	567,69			546,10	C	3030	31,75	76,20	76,20	149,23	23,470	37,2	4,2	PHS 120-1TB45		
60	749,81			727,96	C	3535	38,10	88,90	88,90	165,10	23,470	63,5	6,4	PHS 120-1TB60		
70	871,22			849,12	C	3535	38,10	88,90	88,90	165,10	23,470	79,4	6,4	PHS 120-1TB70		
80	992,63			970,53	C	3535	38,10	82,55	88,90	165,10	23,470	99,8	6,4	PHS 120-1TB80		
44,45	1¾			12	192,53	171,70	B	2517	19,05	63,50	44,45	107,95	23,470	3,2	1,6	PHS 140-1TBH12
				13	207,01	185,67	B	3020	31,75	76,20	50,80	133,35	23,470	3,6	3,0	PHS 140-1TBH13
				14	221,49	199,64	B	3020	31,75	76,20	50,80	133,35	23,470	4,5	3,0	PHS 140-1TBH14
				15	235,71	213,87	B	3020	31,75	76,20	50,80	133,35	23,470	5,4	3,0	PHS 140-1TBH15
				16	250,19	227,84	B	3020	31,75	76,20	50,80	133,35	23,470	6,4	3,0	PHS 140-1TBH16
				17	264,41	241,81	B	3020	31,75	76,20	50,80	133,35	23,470	7,3	3,0	PHS 140-1TBH17
				18	278,64	256,03	B	3020	31,75	76,20	50,80	133,35	23,470	8,2	3,0	PHS 140-1TBH18
				19	293,12	270,00	B	3020	31,75	76,20	50,80	133,35	23,470	9,1	3,0	PHS 140-1TBH19
				21	321,56	298,20	B	3020	31,75	76,20	50,80	133,35	23,470	10,9	3,0	PHS 140-1TBH21
				26	392,68	368,81	B	3020	31,75	76,20	50,80	133,35	23,470	18,1	3,0	PHS 140-1TB26
				35	520,45	495,81	C	3535	38,10	88,90	88,90	165,10	23,470	35,4	6,4	PHS 140-1TB35
				45	662,43	637,29	C	4040	44,45	101,60	101,60	196,85	23,470	53,5	10,0	PHS 140-1TB45
				60	874,78	849,38	C	4040	44,45	101,60	101,60	196,85	23,470	85,3	10,0	PHS 140-1TB60
				70	1016,51	990,85	C	4040	44,45	101,60	101,60	196,85	23,470	109,3	10,0	PHS 140-1TB70
				50,80	2	11	203,45	180,34	B	2517	19,05	63,50	44,45	107,95	29,360	4,1
		12	219,96			196,34	B	3020	31,75	76,20	50,80	133,35	29,360	5,0	3,0	PHS 160-1TBH12
		13	236,47			212,34	B	3020	31,75	76,20	50,80	133,35	29,360	5,9	3,0	PHS 160-1TBH13
		14	252,98			228,35	B	3020	31,75	76,20	50,80	133,35	29,360	7,3	3,0	PHS 160-1TBH14
		15	269,49			244,35	B	3535	38,10	88,90	88,90	165,10	29,360	11,3	6,4	PHS 160-1TBH15
		16	286,00			260,35	B	3535	38,10	88,90	88,90	165,10	29,360	12,7	6,4	PHS 160-1TBH16
		17	302,26			276,35	B	3535	38,10	88,90	88,90	165,10	29,360	14,5	6,4	PHS 160-1TBH17
		18	318,52			292,61	B	3535	38,10	88,90	88,90	165,10	29,360	15,9	6,4	PHS 160-1TBH18
		19	335,03			308,61	B	3535	38,10	88,90	88,90	165,10	29,360	17,7	6,4	PHS 160-1TBH19
		21	367,54			340,87	B	3535	38,10	88,90	88,90	165,10	29,360	21,8	6,4	PHS 160-1TBH21
		26	448,82			421,39	B	3535	38,10	88,90	88,90	165,10	29,360	30,8	6,4	PHS 160-1TB26
		35	594,87			566,67	C	4040	44,45	101,60	101,60	196,85	29,360	53,5	10,0	PHS 160-1TB35
		45	756,92			728,22	C	4040	44,45	101,60	101,60	196,85	29,360	84,4	10,0	PHS 160-1TB45
		60	999,74			970,79	C	4545	53,98	114,30	114,30	196,85	29,360	132,5	13,6	PHS 160-1TB60

All Type B or C sprockets, up to and including 25 tooth, are with hardened teeth as standard.  
For any additional size sprockets with hardened teeth, add "H" before the number of teeth, e.g. PHS 35-1TBH18.

**ANSI sprockets, double simplex, pilot bore**

ANSI 40-1 · 12,70 mm (1/2") pitch | ANSI 50-1 · 15,88 mm (5/8") pitch | ANSI 60-1 · 19,05 mm (3/4") pitch |  
 ANSI 80-1 · 25,40 mm (1") pitch | ANSI 100-1 · 31,75 mm (1 1/4") pitch



Type A

Pitch	Pitch	Number of teeth	Diameters		Type	Dimensions					Plate thickness t <sub>1</sub>	Mass	Designation		
			Outside	Pitch		Bore		L	C	E					
mm	in.	-	mm	mm	mm	mm	mm	mm	mm	mm	mm	kg	-		
12,70	1/2	15	67,31	60,96	A	12,70	31,75	35,72	28,58	46,04	7,210	0,5	PHS 40-1DSA15		
		16	71,37	65,02	A	12,70	31,75	35,72	28,58	50,80	7,210	0,6	PHS 40-1DSA16		
		17	75,69	69,09	A	12,70	33,34	35,72	28,58	53,98	7,210	0,7	PHS 40-1DSA17		
		18	79,76	73,15	A	12,70	38,10	35,72	28,58	58,74	7,210	0,8	PHS 40-1DSA18		
		19	83,82	77,22	A	15,88	42,86	35,72	28,58	63,50	7,210	1,0	PHS 40-1DSA19		
		20	87,88	81,28	A	15,88	44,45	35,72	28,58	66,68	7,210	1,2	PHS 40-1DSA20		
		21	91,95	85,34	A	15,88	44,45	35,72	28,58	70,64	7,210	1,3	PHS 40-1DSA21		
		22	96,01	89,15	A	15,88	46,04	35,72	28,58	74,61	7,210	1,4	PHS 40-1DSA22		
		23	100,08	93,22	A	15,88	52,39	35,72	28,58	53,18	7,210	1,6	PHS 40-1DSA23		
		24	104,14	97,28	A	15,88	57,15	35,72	28,58	57,55	7,210	1,8	PHS 40-1DSA24		
		25	108,20	101,35	A	15,88	57,15	35,72	28,58	61,91	7,210	2,0	PHS 40-1DSA25		
		15,88	5/8	15	84,33	76,45	A	15,88	38,10	42,07	30,16	60,33	8,710	1,0	PHS 50-1DSA15
				16	89,41	81,28	A	15,88	42,86	42,07	33,34	63,50	8,710	1,1	PHS 50-1DSA16
				17	94,49	86,36	A	15,88	44,45	42,07	33,34	68,26	8,710	1,3	PHS 50-1DSA17
				18	99,57	91,44	A	15,88	47,63	42,07	33,34	73,42	8,710	1,5	PHS 50-1DSA18
				19	104,65	96,52	A	15,88	52,39	42,07	33,34	78,18	8,710	1,7	PHS 50-1DSA19
20	109,73			101,60	A	15,88	57,15	42,07	33,34	83,34	8,710	1,9	PHS 50-1DSA20		
21	114,81			106,43	A	15,88	57,15	42,07	33,34	88,50	8,710	2,2	PHS 50-1DSA21		
22	119,89			111,51	A	15,88	61,91	42,07	33,34	93,66	8,710	2,4	PHS 50-1DSA22		
23	124,97			116,59	A	15,88	66,68	42,07	33,34	98,82	8,710	2,6	PHS 50-1DSA23		
24	130,05			121,67	A	15,88	69,85	42,07	33,34	103,58	8,710	2,9	PHS 50-1DSA24		
19,05	3/4			13	88,65	79,50	A	19,05	31,75	49,21	37,70	59,53	11,660	1,2	PHS 60-1DSA13
				14	95,00	85,60	A	19,05	33,34	49,21	37,70	65,09	11,660	1,5	PHS 60-1DSA14
				15	101,09	91,69	A	19,05	38,10	49,21	37,70	73,03	11,660	1,7	PHS 60-1DSA15
				16	107,19	97,54	A	19,05	42,86	49,21	37,70	77,39	11,660	2,0	PHS 60-1DSA16
				17	113,28	103,63	A	19,05	44,45	49,21	37,70	82,55	11,660	2,4	PHS 60-1DSA17
				18	119,38	109,73	A	19,05	47,63	49,21	37,70	88,90	11,660	3,0	PHS 60-1DSA18
		19	125,73	115,82	A	19,05	52,39	49,21	37,70	94,06	11,660	3,1	PHS 60-1DSA19		
		20	131,83	121,67	A	19,05	57,15	49,21	37,70	100,41	11,660	3,2	PHS 60-1DSA20		
		21	137,92	127,76	A	19,05	69,85	49,21	37,70	106,36	11,660	3,4	PHS 60-1DSA21		
		22	144,02	133,86	A	19,05	69,85	49,21	37,70	112,71	11,660	5,0	PHS 60-1DSA22		
		23	150,11	139,95	A	19,05	69,85	49,21	37,70	118,27	11,660	5,2	PHS 60-1DSA23		
		24	156,21	146,05	A	19,05	69,85	49,21	37,70	131,76	11,660	5,4	PHS 60-1DSA24		
		25,40	1	13	118,36	106,17	A	25,40	50,80	55,56	41,28	76,60	14,600	3,0	PHS 80-1DSA13
				14	126,49	114,05	A	25,40	57,15	55,56	41,28	84,93	14,600	3,5	PHS 80-1DSA14
				15	134,62	122,17	A	25,40	60,33	55,56	41,28	96,84	14,600	4,1	PHS 80-1DSA15
				16	143,00	130,30	A	25,40	68,26	55,56	41,28	101,60	14,600	4,3	PHS 80-1DSA16
17	151,13			138,18	A	25,40	71,44	55,56	41,28	109,54	14,600	4,9	PHS 80-1DSA17		
18	159,26			146,30	A	25,40	79,38	55,56	41,28	117,87	14,600	5,5	PHS 80-1DSA18		
19	167,39			154,43	A	25,40	82,55	55,56	41,28	125,81	14,600	5,8	PHS 80-1DSA19		
20	175,51			162,31	A	25,40	88,90	55,56	41,28	134,14	14,600	6,4	PHS 80-1DSA20		
21	183,90			170,43	A	25,40	95,25	55,56	41,28	142,08	14,600	7,5	PHS 80-1DSA21		
22	192,02			178,56	A	25,40	98,43	55,56	41,28	150,42	14,600	8,4	PHS 80-1DSA22		
23	200,15			186,44	A	25,40	98,43	55,56	41,28	158,35	14,600	9,3	PHS 80-1DSA23		
31,75	1 1/4			13	147,83	132,59	A	25,40	63,50	68,26	50,80	96,04	17,580	5,1	PHS 100-1DSA13
				14	158,24	142,75	A	31,75	69,85	68,26	50,80	106,36	17,580	6,1	PHS 100-1DSA14
				15	168,40	152,65	A	31,75	77,79	68,26	50,80	116,68	17,580	7,6	PHS 100-1DSA15
				16	178,56	162,81	A	31,75	82,55	68,26	50,80	127,00	17,580	8,8	PHS 100-1DSA16
				17	188,98	172,72	A	31,75	92,08	68,26	50,80	137,32	17,580	9,8	PHS 100-1DSA17
		18	199,14	182,88	A	31,75	95,25	68,26	50,80	147,24	17,580	10,4	PHS 100-1DSA18		
		19	209,30	192,79	A	31,75	106,36	68,26	50,80	157,56	17,580	11,3	PHS 100-1DSA19		
		20	219,46	202,95	A	31,75	106,36	68,26	50,80	167,88	17,580	12,0	PHS 100-1DSA20		

All Type B or C sprockets, up to and including 25 tooth, are with hardened teeth as standard.  
 For any additional size sprockets with hardened teeth, add "H" before the number of teeth, e.g. PHS 40-1DSAH15.



## ANSI sprockets, double simplex, pilot bore

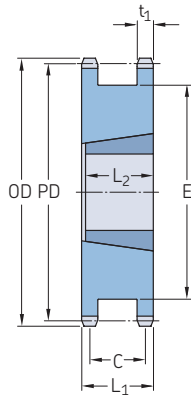
ANSI 100-1 · 31,75 mm (1¼") pitch | ANSI 120-1 · 38,10 mm (1½") pitch | ANSI 140-1 · 44,45 mm (1¾") pitch |  
ANSI 160-1 · 50,80 mm (2") pitch

Pitch		Number of teeth	Diameters		Pitch	Type	Dimensions					Plate thickness $t_t$	Mass	Designation
Pitch			Outside				Bore		L	C	E			
			OD	PD		Min.	Max.							
mm	in.	–	mm		–	mm						kg	–	
31,75	1¼	21	229,62	213,11	A	31,75	133,35	68,26	50,80	177,80	17,580	13,2	PHS 100-1DSA21	
38,10	1½	15	202,18	183,13	A	36,51	95,25	84,93	61,91	139,70	23,470	13,6	PHS 120-1DSA15	
		16	214,38	195,33	A	36,51	101,60	84,93	61,91	152,40	23,470	15,4	PHS 120-1DSA16	
		17	226,57	207,26	A	36,51	112,71	84,93	61,91	164,70	23,470	16,8	PHS 120-1DSA17	
		18	239,01	219,46	A	36,51	131,76	84,93	61,91	164,70	23,470	19,1	PHS 120-1DSA18	
		19	251,21	231,39	A	36,51	139,70	84,93	61,91	189,31	23,470	21,3	PHS 120-1DSA19	
		20	263,40	243,59	A	36,51	150,81	84,93	61,91	201,61	23,470	23,1	PHS 120-1DSA20	
44,45	1¾	14	221,49	199,64	A	36,51	98,43	91,68	68,26	149,23	23,470	15,9	PHS 140-1DSA14	
		15	235,71	213,87	A	36,51	112,71	91,68	68,26	163,91	23,470	19,5	PHS 140-1DSA15	
		16	250,19	227,84	A	36,51	133,35	91,68	68,26	178,20	23,470	22,2	PHS 140-1DSA16	
		17	264,41	241,81	A	36,51	141,29	91,68	68,26	192,48	23,470	26,3	PHS 140-1DSA17	
		18	278,89	256,03	A	36,51	155,58	91,68	68,26	206,77	23,470	29,9	PHS 140-1DSA18	
50,80	2	15	269,49	244,35	A	42,86	139,70	107,95	78,58	187,33	23,470	31,3	PHS 160-1DSA15	
		16	286,00	260,35	A	42,86	152,40	107,95	78,58	203,60	23,470	34,0	PHS 160-1DSA16	
		17	302,26	276,35	A	42,86	165,10	107,95	78,58	219,87	23,470	41,7	PHS 160-1DSA17	
		18	318,52	292,61	A	42,86	173,04	107,95	78,58	236,54	23,470	44,0	PHS 160-1DSA18	

All Type B or C sprockets, up to and including 25 tooth, are with hardened teeth as standard.  
For any additional size sprockets with hardened teeth, add "H" before the number of teeth, e.g. PHS 40-1DSAH15.

**ANSI sprockets, double simplex, taper bushed**

ANSI 40-1 · 12,70 mm (1/2") pitch | ANSI 50-1 · 15,88 mm (5/8") pitch | ANSI 60-1 · 19,05 mm (3/4") pitch |  
 ANSI 80-1 · 25,40 mm (1") pitch | ANSI 100-1 · 31,75 mm (1 1/4") pitch



Type A taper bush

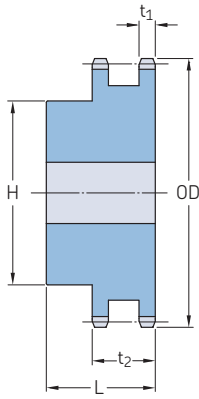
Pitch	Number of teeth	Diameters Outside	Pitch	Type	Bushing number	Dimensions Bore		L1	C	E	L2	Plate thickness t <sub>1</sub>	Mass <sup>1)</sup>	Designation		
						Min.	Max.									
mm	in.	mm	mm	-	-	mm	mm	-	-	-	-	mm	kg	-		
12,70	1/2	18	79,76	73,15	A	1215	12,70	31,75	35,72	28,58	58,74	38,10	7,210	0,5	PHS 40-1DSTBH18	
		19	83,82	77,22	A	1215	12,70	31,75	35,72	28,58	63,50	38,10	7,210	0,5	PHS 40-1DSTBH19	
		20	87,88	81,28	A	1215	12,70	31,75	35,72	28,58	66,68	38,10	7,210	0,6	PHS 40-1DSTBH20	
		21	91,95	85,34	A	1615	12,70	41,28	35,72	28,58	70,64	38,10	7,210	0,6	PHS 40-1DSTBH21	
		23	100,08	93,22	A	1615	12,70	41,28	35,72	28,58	78,58	38,10	7,210	0,7	PHS 40-1DSTBH23	
		24	104,14	97,28	A	1615	12,70	41,28	35,72	28,58	82,95	38,10	7,210	0,8	PHS 40-1DSTBH24	
	15,88	5/8	16	89,41	81,28	A	1215	12,70	41,28	42,07	33,34	63,10	38,10	8,710	1,4	PHS 50-1DSTBH16
			17	94,49	86,36	A	1615	12,70	41,28	42,07	33,34	68,26	38,10	8,710	0,8	PHS 50-1DSTBH17
			18	99,57	91,44	A	1615	12,70	41,28	42,07	33,34	73,42	38,10	8,710	1,0	PHS 50-1DSTBH18
			19	104,65	96,52	A	1615	12,70	41,28	42,07	33,34	78,18	38,10	8,710	1,2	PHS 50-1DSTBH19
20			109,73	101,60	A	1615	12,70	41,28	42,07	33,34	83,34	38,10	8,710	2,3	PHS 50-1DSTBH20	
		21	114,81	106,43	A	2012	12,70	50,80	42,07	33,34	88,50	31,75	8,710	1,5	PHS 50-1DSTBH21	
		23	124,97	116,59	A	2012	12,70	50,80	42,07	33,34	98,82	31,75	8,710	1,7	PHS 50-1DSTBH23	
		24	130,05	121,67	A	2012	12,70	50,80	42,07	33,34	103,58	31,75	8,710	1,9	PHS 50-1DSTBH24	
19,05		3/4	16	107,19	97,54	A	1615	12,70	41,28	49,21	37,70	75,80	38,10	11,660	2,0	PHS 60-1DSTBH16
			17	113,28	101,60	A	1615	12,70	41,28	49,21	37,70	81,76	38,10	11,660	2,0	PHS 60-1DSTBH17
	18		119,38	109,73	A	2012	12,70	50,80	49,21	37,70	88,11	31,75	11,660	2,3	PHS 60-1DSTBH18	
	19		125,73	115,82	A	2012	12,70	50,80	49,21	37,70	94,06	31,75	11,660	2,6	PHS 60-1DSTBH19	
	20		131,83	121,67	A	2517	12,70	63,50	49,21	37,70	100,41	44,45	11,660	2,5	PHS 60-1DSTBH20	
		21	137,92	127,76	A	2517	12,70	63,50	49,21	37,70	106,36	44,45	11,660	2,9	PHS 60-1DSTBH21	
		23	150,11	139,95	A	2517	12,70	63,50	49,21	37,70	118,67	44,45	11,660	3,3	PHS 60-1DSTBH23	
		24	156,21	146,05	A	2517	12,70	63,50	49,21	37,70	131,76	44,45	11,660	3,7	PHS 60-1DSTBH24	
	25,40	1	17	151,13	138,18	A	2517	12,70	63,50	55,56	41,28	109,54	44,45	14,600	3,5	PHS 80-1DSTBH17
			18	159,26	146,30	A	2517	12,70	63,50	55,56	41,28	120,65	44,45	14,600	4,0	PHS 80-1DSTBH18
19			167,39	154,43	A	3020	23,81	76,20	55,56	41,28	125,81	50,80	14,600	4,4	PHS 80-1DSTBH19	
20			175,51	162,31	A	3020	23,81	76,20	55,56	41,28	134,14	50,80	14,600	4,5	PHS 80-1DSTBH20	
21			183,90	170,43	A	3020	23,81	76,20	55,56	41,28	142,08	50,80	14,600	5,4	PHS 80-1DSTBH21	
		22	192,02	178,56	A	3020	23,81	76,20	55,56	41,28	142,08	50,80	14,600	5,9	PHS 80-1DSTBH22	
		23	200,15	186,44	A	3020	23,81	76,20	55,56	41,28	158,35	50,80	14,600	6,6	PHS 80-1DSTBH23	
31,75		1 1/4	15	168,40	152,65	A	2517	19,05	63,50	68,26	50,80	116,68	44,45	17,580	5,7	PHS 100-1DSTBH15
			16	178,56	162,81	A	2517	19,05	63,50	68,26	50,80	127,00	44,45	17,580	5,9	PHS 100-1DSTBH16
			17	188,98	172,72	A	3020	23,81	76,20	68,26	50,80	137,32	50,80	17,580	6,4	PHS 100-1DSTBH17
	18		199,14	182,88	A	3020	23,81	76,20	68,26	50,80	147,24	50,80	17,580	7,3	PHS 100-1DSTBH18	
	19		209,30	192,79	A	3020	23,81	76,20	68,26	50,80	157,56	50,80	17,580	9,1	PHS 100-1DSTBH19	
		20	219,46	202,95	A	3020	23,81	76,20	68,26	50,80	167,88	44,45	17,580	12,5	PHS 100-1DSTBH20	
		21	229,62	213,11	A	3020	23,81	76,20	68,26	50,80	177,80	50,80	17,580	12,5	PHS 100-1DSTBH21	

<sup>1)</sup> Mass for rim only

All Type B or C sprockets, up to and including 25 tooth, are with hardened teeth as standard.  
 For any additional size sprockets with hardened teeth, add "H" before the number of teeth, e.g. PHS 40-1DSTBH18.

# ANSI sprockets, duplex, pilot bore

ANSI 35-2 · 9,53 mm (3/8") pitch | ANSI 40-2 · 12,70 mm (1/2") pitch



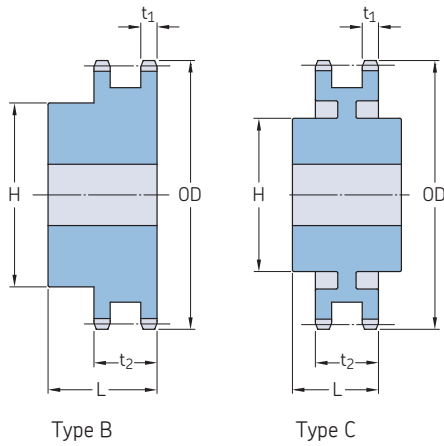
Type B

Pitch	Number of teeth	Outside diameter	Type	Dimensions Bore				Plate thickness		Mass	Designation		
				OD	Min.	Max.	H	L	t <sub>1</sub>			t <sub>2</sub>	
mm	in.	mm	-	mm	mm	mm	mm	mm	mm	kg	-		
9,53	3/8	12	B	41,40	12,70	14,29	25,00	31,75	4,110	14,250	0,15	PHS 35-2BH12	
		13	B	44,45	12,70	17,46	28,18	31,75	4,110	14,250	0,16	PHS 35-2BH13	
		14	B	47,50	12,70	22,23	31,75	31,75	4,110	14,250	0,20	PHS 35-2BH14	
	15	B	50,55	12,70	23,81	35,72	31,75	4,110	14,250	0,25	PHS 35-2BH15		
	16	B	53,59	12,70	23,81	37,31	31,75	4,110	14,250	0,29	PHS 35-2BH16		
	17	B	56,64	12,70	17,46	40,48	31,75	4,110	14,250	0,34	PHS 35-2BH17		
	18	B	59,69	12,70	20,64	43,66	31,75	4,110	14,250	0,38	PHS 35-2BH18		
	19	B	62,74	12,70	23,81	47,63	31,75	4,110	14,250	0,44	PHS 35-2BH19		
	20	B	65,79	19,05	23,81	49,21	34,93	4,110	14,250	0,49	PHS 35-2BH20		
	21	B	68,83	19,05	34,93	52,39	34,93	4,110	14,250	0,56	PHS 35-2BH21		
	22	B	71,88	19,05	36,51	55,56	34,93	4,110	14,250	0,64	PHS 35-2BH22		
	23	B	74,93	19,05	38,10	57,15	34,93	4,110	14,250	0,70	PHS 35-2BH23		
	24	B	77,98	19,05	38,10	57,15	34,93	4,110	14,250	0,73	PHS 35-2BH24		
	25	B	81,03	19,05	38,10	57,15	34,93	4,110	14,250	0,75	PHS 35-2BH25		
	26	B	84,07	19,05	44,45	63,50	34,93	4,110	14,250	0,90	PHS 35-2B26		
	30	B	96,27	19,05	44,45	63,50	34,93	4,110	14,250	1,06	PHS 35-2B30		
	36	B	114,55	19,05	44,45	63,50	34,93	4,110	14,250	1,36	PHS 35-2B36		
	42	B	132,84	19,05	44,45	63,50	34,93	4,110	14,250	1,72	PHS 35-2B42		
	48	B	151,13	19,05	44,45	63,50	34,93	4,110	14,250	2,11	PHS 35-2B48		
	52	B	163,32	19,05	44,45	63,50	34,93	4,110	14,250	2,45	PHS 35-2B52		
	60	B	187,45	19,05	44,45	63,50	34,93	4,110	14,250	3,10	PHS 35-2B60		
	68	B	211,84	19,05	60,33	88,90	38,10	4,110	14,250	4,54	PHS 35-2B68		
	72	B	223,77	19,05	60,33	88,90	38,10	4,110	14,250	5,01	PHS 35-2B72		
	76	B	235,97	19,05	60,33	88,90	38,10	4,110	14,250	5,42	PHS 35-2B76		
	84	B	260,35	19,05	60,33	88,90	38,10	4,110	14,250	6,79	PHS 35-2B84		
	95	B	293,62	25,40	60,33	88,90	38,10	4,110	14,250	7,90	PHS 35-2B95		
	96	B	296,67	25,40	60,33	88,90	38,10	4,110	14,250	8,23	PHS 35-2B96		
	102	B	314,96	25,40	60,33	88,90	38,10	4,110	14,250	9,04	PHS 35-2B102		
	12,70	1/2	11	B	50,80	12,70	19,05	36,51	38,10	6,990	21,360	0,28	PHS 40-2BH11
			12	B	55,12	12,70	23,81	39,69	38,10	6,990	21,360	0,34	PHS 40-2BH12
13			B	59,18	12,70	25,40	38,10	38,10	6,990	21,360	0,39	PHS 40-2BH13	
14		B	63,25	12,70	28,58	42,86	38,10	6,990	21,360	0,49	PHS 40-2BH14		
15		B	67,31	12,70	31,75	46,04	38,10	6,990	21,360	0,56	PHS 40-2BH15		
16		B	71,37	15,88	34,93	50,80	38,10	6,990	21,360	0,64	PHS 40-2BH16		
17		B	75,69	15,88	36,51	53,98	38,10	6,990	21,360	0,74	PHS 40-2BH17		
18		B	79,76	15,88	38,10	58,74	38,10	6,990	21,360	0,87	PHS 40-2BH18		
19		B	83,82	15,88	44,45	63,50	38,10	6,990	21,360	1,01	PHS 40-2BH19		
20		B	87,88	15,88	47,63	66,68	41,28	6,990	21,360	1,20	PHS 40-2BH20		
21		B	91,95	15,88	47,63	69,85	41,28	6,990	21,360	1,33	PHS 40-2BH21		
22		B	96,01	15,88	47,63	73,03	41,28	6,990	21,360	1,44	PHS 40-2BH22		
23		B	100,08	15,88	50,80	76,20	41,28	6,990	21,360	1,60	PHS 40-2BH23		
24		B	104,14	15,88	57,15	82,55	41,28	6,990	21,360	1,83	PHS 40-2BH24		
25		B	108,20	15,88	57,15	82,55	41,28	6,990	21,360	1,93	PHS 40-2BH25		
26		B	112,27	15,88	57,15	82,55	41,28	6,990	21,360	2,03	PHS 40-2B26		
30		B	128,52	22,23	57,15	82,55	41,28	6,990	21,360	2,42	PHS 40-2B30		
35		B	148,84	22,23	57,15	82,55	41,28	6,990	21,360	3,08	PHS 40-2B35		
36		B	152,91	23,81	63,50	95,25	41,28	6,990	21,360	3,27	PHS 40-2B36		
40		B	168,91	23,81	63,50	95,25	44,45	6,990	21,360	4,26	PHS 40-2B40		
42		B	177,04	23,81	63,50	95,25	44,45	6,990	21,360	4,63	PHS 40-2B42		
45		B	189,23	23,81	63,50	95,25	44,45	6,990	21,360	5,15	PHS 40-2B45		
48		B	201,42	23,81	63,50	95,25	44,45	6,990	21,360	5,74	PHS 40-2B48		
52		B	217,68	23,81	63,50	95,25	44,45	6,990	21,360	6,56	PHS 40-2B52		
54		B	225,81	23,81	63,50	95,25	44,45	6,990	21,360	7,02	PHS 40-2B54		

Maximum bores can accommodate standard keyways. Larger bores are available where a shallow keyway is used or no keyway is required. All Type B or C sprockets, up to and including 25 tooth, are with hardened teeth as standard. For any additional size sprockets with hardened teeth, add "H" before the number of teeth, e.g. PHS 35-2BH12.

**ANSI sprockets, duplex, pilot bore**

ANSI 40-2 · 12,70 mm (1/2") pitch | ANSI 50-2 · 15,88 mm (5/8") pitch | ANSI 60-2 · 19,05 mm (3/4") pitch



Pitch	Number of teeth	Outside diameter	Type	Dimensions Bore		H	L	Plate thickness		Mass	Designation		
				Min.	Max.			t <sub>1</sub>	t <sub>2</sub>				
mm	in.	mm	-	mm	mm					kg	-		
12,70	1/2	60	B	249,94	23,81	63,50	95,25	44,45	6,990	21,360	8,44	PHS 40-2B60	
		68	B	282,45	30,16	69,85	107,95	53,98	6,990	21,360	11,32	PHS 40-2B68	
		72	B	298,45	30,16	69,85	107,95	53,98	6,990	21,360	12,65	PHS 40-2B72	
		76	B	314,71	30,16	69,85	107,95	53,98	6,990	21,360	13,69	PHS 40-2B76	
	84	B	346,96	30,16	69,85	107,95	53,98	6,990	21,360	16,44	PHS 40-2B84		
	95	B	391,41	30,16	69,85	107,95	53,98	6,990	21,360	17,62	PHS 40-2B95		
	96	B	395,48	30,16	69,85	107,95	53,98	6,990	21,360	17,92	PHS 40-2B96		
	102	B	419,86	30,16	69,85	107,95	53,98	6,990	21,360	19,38	PHS 40-2B102		
	112	B	460,25	30,16	69,85	107,95	53,98	6,990	21,360	25,19	PHS 40-2B112		
	15,88	5/8	11	B	63,50	15,88	23,81	37,31	44,45	8,430	26,540	0,44	PHS 50-2BH11
			12	B	68,83	15,88	28,58	42,86	44,45	8,430	26,540	0,57	PHS 50-2BH12
			13	B	73,91	15,88	33,34	47,63	44,45	8,430	26,540	0,71	PHS 50-2BH13
14			B	78,99	15,88	34,93	52,39	44,45	8,430	26,540	0,84	PHS 50-2BH14	
15			B	84,33	19,05	38,10	58,74	44,45	8,430	26,540	1,01	PHS 50-2BH15	
16			B	89,41	19,05	44,45	63,50	44,45	8,430	26,540	1,19	PHS 50-2BH16	
17			B	94,49	19,05	47,63	68,26	44,45	8,430	26,540	1,38	PHS 50-2BH17	
18			B	99,57	19,05	49,21	74,61	44,45	8,430	26,540	1,62	PHS 50-2BH18	
19			B	104,65	25,40	53,98	79,38	44,45	8,430	26,540	1,77	PHS 50-2BH19	
20			B	109,73	25,40	57,15	82,55	44,45	8,430	26,540	1,93	PHS 50-2BH20	
21			B	114,81	25,40	60,33	88,90	44,45	8,430	26,540	2,22	PHS 50-2BH21	
22			B	119,89	25,40	60,33	90,49	47,63	8,430	26,540	2,53	PHS 50-2BH22	
23		B	124,97	25,40	63,50	92,08	47,63	8,430	26,540	2,77	PHS 50-2BH23		
24		B	130,05	25,40	63,50	92,08	47,63	8,430	26,540	2,95	PHS 50-2BH24		
25		B	135,13	25,40	63,50	92,08	47,63	8,430	26,540	3,15	PHS 50-2BH25		
26		B	140,21	25,40	63,50	95,25	47,63	8,430	26,540	3,42	PHS 50-2B26		
30		B	160,53	25,40	63,50	95,25	47,63	8,430	26,540	4,26	PHS 50-2B30		
32		B	170,69	25,40	63,50	95,25	47,63	8,430	26,540	4,74	PHS 50-2B32		
35		B	185,93	25,40	63,50	95,25	47,63	8,430	26,540	5,57	PHS 50-2B35		
36		B	191,01	30,16	69,85	101,60	53,98	8,430	26,540	6,32	PHS 50-2B36		
40		B	211,33	30,16	69,85	101,60	53,98	8,430	26,540	7,50	PHS 50-2B40		
42		B	221,49	30,16	69,85	101,60	53,98	8,430	26,540	8,13	PHS 50-2B42		
45		B	236,47	30,16	69,85	101,60	53,98	8,430	26,540	9,21	PHS 50-2B45		
48		B	251,71	30,16	69,85	107,95	60,33	8,430	26,540	10,92	PHS 50-2B48		
52		B	272,03	30,16	69,85	107,95	60,33	8,430	26,540	12,44	PHS 50-2B52		
54		B	282,19	30,16	69,85	107,95	60,33	8,430	26,540	13,23	PHS 50-2B54		
60		B	312,42	33,34	76,20	114,30	60,33	8,430	26,540	16,27	PHS 50-2B60		
68		B	352,81	33,34	76,20	114,30	60,33	8,430	26,540	20,40	PHS 50-2B68		
72		B	373,13	33,34	76,20	114,30	60,33	8,430	26,540	22,78	PHS 50-2B72		
76		B	393,45	33,34	76,20	114,30	60,33	8,430	26,540	20,70	PHS 50-2B76		
84		B	433,83	33,34	76,20	114,30	60,33	8,430	26,540	23,42	PHS 50-2B84		
95		B	489,46	33,34	76,20	114,30	60,33	8,430	26,540	29,18	PHS 50-2B95		
96		B	494,54	33,34	76,20	114,30	60,33	8,430	26,540	30,58	PHS 50-2B96		
102		B	524,76	33,34	76,20	114,30	60,33	8,430	26,540	32,97	PHS 50-2B102		
112		B	575,31	33,34	84,14	133,35	60,33	8,430	26,540	40,92	PHS 50-2B112		
19,05		3/4	11	B	76,20	25,40	31,75	46,04	53,98	11,280	34,060	0,73	PHS 60-2BH11
	12		B	82,55	25,40	36,51	53,98	53,98	11,280	34,060	1,00	PHS 60-2BH12	
	13		B	88,65	25,40	38,10	57,15	53,98	11,280	34,060	1,18	PHS 60-2BH13	
	14		B	95,00	25,40	44,45	63,50	53,98	11,280	34,060	1,47	PHS 60-2BH14	
	15		B	101,09	25,40	47,63	71,44	53,98	11,280	34,060	1,80	PHS 60-2BH15	
	16	B	107,19	25,40	50,80	76,20	53,98	11,280	34,060	2,10	PHS 60-2BH16		
	17	B	113,28	25,40	57,15	82,55	53,98	11,280	34,060	2,45	PHS 60-2BH17		
	18	B	119,38	25,40	60,33	88,90	53,98	11,280	34,060	2,83	PHS 60-2BH18		
	19	B	125,73	25,40	63,50	93,66	53,98	11,280	34,060	3,18	PHS 60-2BH19		
	20	B	131,83	25,40	63,50	95,25	53,98	11,280	34,060	3,50	PHS 60-2BH20		

Maximum bores can accommodate standard keyways. Larger bores are available where a shallow keyway is used or no keyway is required. All Type B or C sprockets, up to and including 25 tooth, are with hardened teeth as standard. For any additional size sprockets with hardened teeth, add "H" before the number of teeth, e.g. PHS 35-2BH12.

### ANSI sprockets, duplex, pilot bore

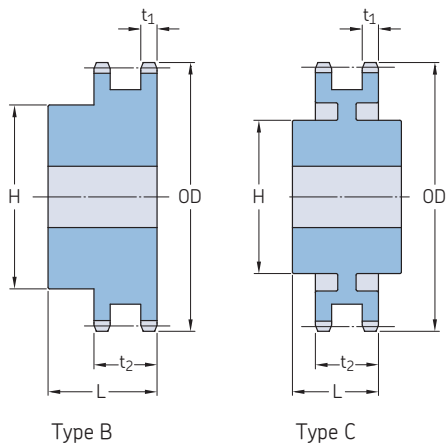
ANSI 60-2 · 19,05 mm (3/4") pitch | ANSI 80-2 · 25,40 mm (1") pitch | ANSI 100-2 · 31,75 mm (1 1/4") pitch |  
ANSI 120-2 · 38,10 mm (1 1/2") pitch

Pitch	Number of teeth	Outside diameter	Type	Dimensions				Plate thickness		Mass	Designation			
				Bore		H	L	t <sub>1</sub>	t <sub>2</sub>					
				Min.	Max.									
mm	in.	mm	mm	mm	mm	mm	mm	mm	mm	kg	–			
19,05	3/4	21	137,92	B	25,40	69,85	104,78	53,98	11,280	34,060	4,00	PHS 60-2BH21		
		22	144,02	B	25,40	69,85	107,95	53,98	11,280	34,060	4,39	PHS 60-2BH22		
		23	150,11	B	25,40	69,85	107,95	53,98	11,280	34,060	4,67	PHS 60-2BH23		
		24	156,21	B	25,40	69,85	107,95	53,98	11,280	34,060	5,05	PHS 60-2BH24		
		25	162,31	B	25,40	69,85	107,95	53,98	11,280	34,060	5,42	PHS 60-2BH25		
	25,40	1	26	168,40	B	25,40	69,85	107,95	53,98	11,280	34,060	5,76	PHS 60-2B26	
			30	192,79	B	25,40	69,85	107,95	53,98	11,280	34,060	7,42	PHS 60-2B30	
			32	204,98	B	31,75	76,20	114,30	60,33	11,280	34,060	8,85	PHS 60-2B32	
			35	223,01	B	31,75	76,20	114,30	60,33	11,280	34,060	10,34	PHS 60-2B35	
			36	229,11	B	31,75	76,20	114,30	60,33	11,280	34,060	10,80	PHS 60-2B36	
			40	253,49	B	31,75	82,55	120,65	69,85	11,280	34,060	13,99	PHS 60-2B40	
			42	265,68	B	31,75	82,55	120,65	69,85	11,280	34,060	15,00	PHS 60-2B42	
			45	283,97	B	31,75	82,55	120,65	69,85	11,280	34,060	16,82	PHS 60-2B45	
			52	326,39	B	31,75	82,55	120,65	69,85	11,280	34,060	22,09	PHS 60-2B52	
			60	374,90	B	31,75	82,55	120,65	69,85	11,280	34,060	28,62	PHS 60-2B60	
			68	423,42	C	31,75	84,14	127,00	76,20	11,280	34,060	24,35	PHS 60-2C68	
			72	447,80	C	31,75	84,14	127,00	76,20	11,280	34,060	24,38	PHS 60-2C72	
			76	471,93	C	31,75	84,14	127,00	76,20	11,280	34,060	27,34	PHS 60-2C76	
			95	587,25	C	31,75	95,25	139,70	88,90	11,280	34,060	39,53	PHS 60-2C95	
		31,75	1 1/4	10	93,47	B	25,40	38,10	65,09	69,85	14,150	43,430	1,63	PHS 80-2BH10
				11	101,85	B	25,40	44,45	63,50	63,50	14,150	43,430	1,81	PHS 80-2BH11
				12	109,98	B	25,40	47,63	72,23	63,50	14,150	43,430	2,31	PHS 80-2BH12
				13	118,36	B	25,40	57,15	80,17	63,50	14,150	43,430	2,86	PHS 80-2BH13
				14	126,49	B	25,40	60,33	88,11	63,50	14,150	43,430	3,45	PHS 80-2BH14
15	134,62			B	25,40	63,50	96,44	63,50	14,150	43,430	4,08	PHS 80-2BH15		
16	143,00			B	25,40	69,85	101,60	69,85	14,150	43,430	4,99	PHS 80-2BH16		
17	151,13			B	25,40	76,20	112,32	69,85	14,150	43,430	5,99	PHS 80-2BH17		
18	159,26			B	25,40	82,55	120,25	69,85	14,150	43,430	6,80	PHS 80-2BH18		
19	167,39			B	25,40	84,14	127,00	69,85	14,150	43,430	7,71	PHS 80-2BH19		
20	175,51			B	25,40	84,14	127,00	69,85	14,150	43,430	8,26	PHS 80-2BH20		
21	183,90			B	25,40	84,14	127,00	69,85	14,150	43,430	8,89	PHS 80-2BH21		
22	192,02			B	25,40	84,14	127,00	69,85	14,150	43,430	9,53	PHS 80-2BH22		
23	200,15			B	25,40	84,14	127,00	69,85	14,150	43,430	10,34	PHS 80-2BH23		
24	208,28			B	25,40	88,90	133,35	69,85	14,150	43,430	11,39	PHS 80-2BH24		
25	216,41			B	25,40	88,90	133,35	76,20	14,150	43,430	12,84	PHS 80-2BH25		
26	224,54			B	25,40	88,90	133,35	76,20	14,150	43,430	13,56	PHS 80-2B26		
30	256,79			B	31,75	95,25	146,05	76,20	14,150	43,430	17,92	PHS 80-2B30		
32	273,05			B	31,75	95,25	146,05	76,20	14,150	43,430	19,87	PHS 80-2B32		
35	297,43			B	31,75	95,25	146,05	76,20	14,150	43,430	22,27	PHS 80-2B35		
36	305,56			B	31,75	95,25	146,05	79,38	14,150	43,430	24,58	PHS 80-2B36		
42	354,08			B	31,75	95,25	146,05	79,38	14,150	43,430	32,43	PHS 80-2B42		
45	378,46			B	31,75	95,25	146,05	79,38	14,150	43,430	33,34	PHS 80-2B45		
52	435,10			C	38,10	95,25	146,05	95,25	14,150	43,430	35,56	PHS 80-2C52		
60	499,87			C	38,10	95,25	146,05	95,25	14,150	43,430	42,32	PHS 80-2C60		
68	564,64			C	38,10	96,84	152,40	101,60	14,150	43,430	43,64	PHS 80-2C68		
76	629,41			C	38,10	96,84	152,40	101,60	14,150	43,430	51,26	PHS 80-2C76		
95	783,08			C	38,10	101,60	152,40	107,95	14,150	43,430	74,84	PHS 80-2C95		
38,10	1 1/2			9	106,17	B	25,40	41,28	60,33	73,03	16,990	52,760	2,09	PHS 100-2BH9
				10	116,84	B	25,40	47,63	69,85	73,03	16,990	52,760	2,81	PHS 100-2BH10
				11	127,25	B	25,40	53,98	79,38	73,03	16,990	52,760	3,58	PHS 100-2BH11
				12	137,67	B	28,58	57,15	85,73	73,03	16,990	52,760	4,22	PHS 100-2BH12
				13	147,83	B	28,58	63,50	96,84	73,03	16,990	52,760	5,17	PHS 100-2BH13
				14	158,24	B	28,58	69,85	106,36	73,03	16,990	52,760	6,17	PHS 100-2BH14
				15	168,40	B	31,75	79,38	117,48	79,38	16,990	52,760	7,76	PHS 100-2BH15
				16	178,56	B	31,75	84,14	127,00	79,38	16,990	52,760	9,12	PHS 100-2BH16
		17	188,98	B	31,75	88,90	133,35	79,38	16,990	52,760	10,48	PHS 100-2BH17		
		18	199,14	B	31,75	88,90	133,35	79,38	16,990	52,760	11,52	PHS 100-2BH18		
		19	209,30	B	31,75	95,25	139,70	85,73	16,990	52,760	13,43	PHS 100-2BH19		
		20	219,46	B	31,75	95,25	139,70	85,73	16,990	52,760	14,70	PHS 100-2BH20		
		21	229,62	B	31,75	95,25	139,70	85,73	16,990	52,760	16,01	PHS 100-2BH21		
		22	239,78	B	31,75	95,25	139,70	85,73	16,990	52,760	17,42	PHS 100-2BH22		
		23	249,94	B	31,75	95,25	139,70	85,73	16,990	52,760	18,73	PHS 100-2BH23		
		24	260,35	B	31,75	95,25	146,05	85,73	16,990	52,760	20,46	PHS 100-2BH24		
		25	270,51	B	31,75	95,25	146,05	85,73	16,990	52,760	22,00	PHS 100-2BH25		
		26	280,67	B	38,10	95,25	146,05	85,73	16,990	52,760	23,36	PHS 100-2B26		
		30	321,06	B	38,10	95,25	146,05	85,73	16,990	52,760	29,48	PHS 100-2B30		
		35	371,86	C	38,10	96,84	152,40	107,95	16,990	52,760	34,02	PHS 100-2C35		
		45	473,20	C	38,10	96,84	152,40	114,30	16,990	52,760	46,72	PHS 100-2C45		
		60	624,84	C	38,10	136,53	190,50	127,00	16,990	52,760	79,38	PHS 100-2C60		
		70	725,93	C	38,10	136,53	190,50	127,00	16,990	52,760	89,36	PHS 100-2C70		
		80	827,28	C	38,10	136,53	190,50	127,00	16,990	52,760	104,78	PHS 100-2C80		
38,10	1 1/2	11	152,65	B	38,10	60,33	90,49	95,25	22,710	68,150	6,17	PHS 120-2BH11		
		12	165,10	B	38,10	69,85	103,19	95,25	22,710	68,150	7,85	PHS 120-2BH12		

Maximum bores can accommodate standard keyways. Larger bores are available where a shallow keyway is used or no keyway is required.  
All Type B or C sprockets, up to and including 25 tooth, are with hardened teeth as standard.  
For any additional size sprockets with hardened teeth, add "H" before the number of teeth, e.g. PHS 35-2BH12.

**ANSI sprockets, duplex, pilot bore**

ANSI 120-2 · 38,10 mm (1½") pitch | ANSI 140-2 · 44,45 mm (1¾") pitch | ANSI 160-2 · 50,80 mm (2") pitch



Pitch	Number of teeth	Outside diameter	Type	Dimensions Bore		H	L	Plate thickness		Mass	Designation			
				Min.	Max.			t <sub>1</sub>	t <sub>2</sub>					
mm	in.	mm	-	mm	mm					kg	-			
38,10	1½	13	B	177,55	38,10	76,20	114,30	95,25	22,710	68,150	9,57	PHS 120-2BH13		
		14	B	189,74	38,10	84,14	127,00	95,25	22,710	68,150	11,61	PHS 120-2BH14		
		15	B	202,18	38,10	88,90	133,35	95,25	22,710	68,150	13,56	PHS 120-2BH15		
		16	B	214,38	38,10	88,90	133,35	95,25	22,710	68,150	15,33	PHS 120-2BH16		
		17	B	226,57	38,10	88,90	133,35	95,25	22,710	68,150	16,74	PHS 120-2BH17		
		18	B	239,01	38,10	88,90	133,35	95,25	22,710	68,150	19,01	PHS 120-2BH18		
		19	B	251,21	38,10	88,90	133,35	95,25	22,710	68,150	21,09	PHS 120-2BH19		
		20	B	263,40	38,10	88,90	139,70	95,25	22,710	68,150	22,77	PHS 120-2BH20		
		21	B	275,59	38,10	88,90	139,70	95,25	22,710	68,150	25,22	PHS 120-2BH21		
		22	B	287,78	38,10	96,84	146,05	101,60	22,710	68,150	29,03	PHS 120-2BH22		
		23	B	299,97	38,10	114,30	165,10	101,60	22,710	68,150	34,02	PHS 120-2BH23		
		24	B	312,17	38,10	114,30	165,10	101,60	22,710	68,150	35,83	PHS 120-2BH24		
		25	B	324,36	38,10	114,30	165,10	101,60	22,710	68,150	38,10	PHS 120-2BH25		
		26	B	336,55	38,10	114,30	165,10	101,60	22,710	68,150	40,82	PHS 120-2B26		
		30	B	385,32	38,10	114,30	165,10	101,60	22,710	68,150	53,98	PHS 120-2B30		
		35	C	446,28	38,10	136,53	190,50	152,40	22,710	71,580	67,13	PHS 120-2C35		
		45	C	567,69	38,10	136,53	190,50	152,40	22,710	71,580	85,28	PHS 120-2C45		
		60	C	749,81	38,10	161,93	241,30	158,75	22,710	71,580	139,25	PHS 120-2C60		
		44,45	1¾	13	B	207,01	41,28	84,14	127,00	95,25	22,710	71,580	13,15	PHS 140-2BH13
				14	B	221,49	41,28	95,25	139,70	95,25	22,710	71,580	15,79	PHS 140-2BH14
15	B			235,71	41,28	114,30	165,10	95,25	22,710	71,580	19,28	PHS 140-2BH15		
16	B			250,19	41,28	133,35	177,80	101,60	22,710	71,580	21,82	PHS 140-2BH16		
17	B			264,41	41,28	133,35	177,80	101,60	22,710	71,580	26,08	PHS 140-2BH17		
18	B			278,89	44,45	133,35	177,80	101,60	22,710	71,580	29,76	PHS 140-2BH18		
19	B			293,12	44,45	133,35	177,80	101,60	22,710	71,580	32,66	PHS 140-2BH19		
20	B			307,34	44,45	133,35	177,80	101,60	22,710	71,580	34,47	PHS 140-2BH20		
21	B			321,56	44,45	133,35	177,80	101,60	22,710	71,580	37,19	PHS 140-2BH21		
22	B			335,79	44,45	133,35	177,80	101,60	22,710	71,580	42,64	PHS 140-2BH22		
23	B			350,01	44,45	133,35	177,80	101,60	22,710	71,580	45,36	PHS 140-2BH23		
24	B			364,24	44,45	133,35	177,80	101,60	22,710	71,580	47,17	PHS 140-2BH24		
25	B			378,46	44,45	133,35	177,80	101,60	22,710	71,580	54,43	PHS 140-2BH25		
26	B			392,68	44,45	133,35	177,80	101,60	22,710	71,580	58,06	PHS 140-2B26		
35	C			520,45	38,10	136,53	190,50	152,40	22,710	71,580	81,65	PHS 140-2C35		
45	C			662,43	38,10	136,53	190,50	152,40	22,710	71,580	105,23	PHS 140-2C45		
60	C			874,78	38,10	161,93	241,30	158,75	22,710	71,580	168,74	PHS 140-2C60		
50,80	2			13	B	236,47	50,80	101,60	152,40	120,65	28,420	86,970	21,77	PHS 160-2BH13
				14	B	252,98	50,80	120,65	171,45	120,65	28,420	86,970	26,31	PHS 160-2BH14
				15	B	269,49	50,80	133,35	177,80	120,65	28,420	86,970	30,84	PHS 160-2BH15
		16	B	286,00	50,80	133,35	177,80	120,65	28,420	86,970	34,02	PHS 160-2BH16		
		17	B	302,26	50,80	133,35	177,80	120,65	28,420	86,970	41,28	PHS 160-2BH17		
		18	B	318,52	50,80	133,35	177,80	120,65	28,420	86,970	43,54	PHS 160-2BH18		
		19	B	335,03	50,80	133,35	177,80	120,65	28,420	86,970	48,53	PHS 160-2BH19		
		20	B	351,28	50,80	133,35	177,80	120,65	28,420	86,970	53,98	PHS 160-2BH20		
		21	B	367,54	50,80	136,53	190,50	120,65	28,420	86,970	58,97	PHS 160-2BH21		
		22	B	383,79	50,80	136,53	190,50	120,65	28,420	86,970	63,96	PHS 160-2BH22		
		23	B	400,05	50,80	136,53	190,50	120,65	28,420	86,970	71,21	PHS 160-2BH23		
		24	B	416,31	50,80	136,53	190,50	120,65	28,420	86,970	77,56	PHS 160-2BH24		
		25	B	432,56	50,80	136,53	190,50	120,65	28,420	86,970	84,82	PHS 160-2BH25		
		26	B	448,82	50,80	136,53	190,50	120,65	28,420	86,970	91,17	PHS 160-2B26		
		35	C	594,87	38,10	171,45	241,30	168,28	28,420	86,970	138,80	PHS 160-2C35		
		45	C	756,92	38,10	177,80	254,00	180,98	28,420	86,970	195,50	PHS 160-2C45		
		60	C	999,74	38,10	177,80	254,00	180,98	28,420	86,970	255,83	PHS 160-2C60		

Maximum bores can accommodate standard keyways. Larger bores are available where a shallow keyway is used or no keyway is required. All Type B or C sprockets, up to and including 25 tooth, are with hardened teeth as standard. For any additional size sprockets with hardened teeth, add "H" before the number of teeth, e.g. PHS 35-2BH12.

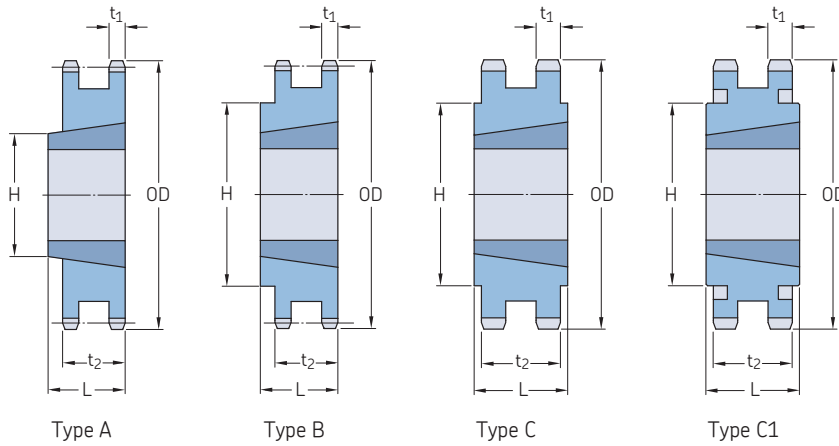
**ANSI sprockets, duplex, pilot bore**  
ANSI 200-2 · 63,50 mm (2½") pitch

Pitch		Number of teeth	Outside diameter OD	Type	Dimensions Bore				Plate thickness		Mass	Designation
mm	in.				Min.	Max.	H	L	t <sub>1</sub>	t <sub>2</sub>		
63,50	2½	11	254,51	B	50,80	95,25	139,70	149,23	34,140	105,690	25,85	PHS 200-2BH11
		12	275,08	B	50,80	114,30	165,10	158,75	34,140	105,690	36,29	PHS 200-2BH12
		13	295,66	B	50,80	133,35	177,80	161,93	34,140	105,690	43,54	PHS 200-2BH13
		14	316,48	B	50,80	139,70	203,20	161,93	34,140	105,690	53,98	PHS 200-2BH14
		15	336,80	B	50,80	146,05	215,90	161,93	34,140	105,690	62,60	PHS 200-2BH15
		16	357,38	B	50,80	146,05	215,90	168,28	34,140	105,690	73,03	PHS 200-2BH16
		17	377,70	B	50,80	146,05	215,90	168,28	34,140	105,690	80,74	PHS 200-2BH17
		18	398,27	B	50,80	146,05	215,90	168,28	34,140	105,690	88,90	PHS 200-2BH18
		19	418,59	B	50,80	146,05	215,90	168,28	34,140	105,690	98,43	PHS 200-2BH19
		20	439,17	B	50,80	146,05	215,90	168,28	34,140	105,690	107,05	PHS 200-2BH20
		21	459,49	B	50,80	146,05	215,90	168,28	34,140	105,690	113,40	PHS 200-2BH21
		22	479,81	B	50,80	146,05	215,90	168,28	34,140	105,690	128,82	PHS 200-2BH22
		23	500,13	B	50,80	146,05	215,90	168,28	34,140	105,690	139,71	PHS 200-2BH23
		24	520,45	B	50,80	146,05	215,90	168,28	34,140	105,690	149,69	PHS 200-2BH24
		25	540,77	B	50,80	146,05	215,90	168,28	34,140	105,690	162,39	PHS 200-2BH25
		26	561,09	B	50,80	146,05	215,90	168,28	34,140	105,690	175,09	PHS 200-2B26
		45	946,15	C	38,10	177,80	254,00	215,90	34,140	105,690	301,64	PHS 200-2C45
		60	1249,68	C	38,10	177,80	254,00	228,60	34,140	105,690	440,89	PHS 200-2C60

Maximum bores can accommodate standard keyways. Larger bores are available where a shallow keyway is used or no keyway is required. All Type B or C sprockets, up to and including 25 tooth, are with hardened teeth as standard. For any additional size sprockets with hardened teeth, add "H" before the number of teeth, e.g. PHS 35-2BH12.

**ANSI sprockets, duplex, taper bushed**

ANSI 35-2 · 9,53 mm (3/8") pitch | ANSI 40-2 · 12,70 mm (1/2") pitch | ANSI 50-2 · 15,88 mm (5/8") pitch



Pitch	Number of teeth	Diameters		Type	Bushing number	Dimensions Bore		Plate thickness		Mass Rim	Bushing	Designation				
		Outside OD	Pitch PD			Min.	Max.	L	H				t <sub>1</sub>	t <sub>2</sub>		
mm	in.	mm	mm	-	-	mm	mm	mm	mm	kg	-	-				
9,53	3/8	19	62,74	57,91	B	1008	9,53	25,40	22,23	46,43	4,110	14,250	0,3	0,1	PHS 35-2TBH19	
		20	65,79	60,96	B	1008	9,53	25,40	22,23	49,21	4,110	14,250	0,4	0,1	PHS 35-2TBH20	
		21	68,83	64,01	B	1008	9,53	25,40	22,23	52,39	4,110	14,250	0,6	0,1	PHS 35-2TBH21	
		22	71,88	66,80	B	1008	9,53	25,40	22,23	55,56	4,110	14,250	0,8	0,1	PHS 35-2TBH22	
		23	77,98	72,90	B	1210	15,88	31,75	25,40	61,91	4,110	14,250	0,8	0,3	PHS 35-2TBH24	
	26	84,07	78,99	B	1210	15,88	31,75	25,40	66,68	4,110	14,250	0,9	0,3	PHS 35-2TB26		
	30	96,27	91,19	B	1610	12,70	41,28	25,40	79,38	4,110	14,250	0,8	0,4	PHS 35-2TB30		
	32	102,36	97,28	B	1610	12,70	41,28	25,40	82,55	4,110	14,250	0,9	0,4	PHS 35-2TB32		
	35	111,51	106,17	B	1610	12,70	41,28	25,40	82,55	4,110	14,250	1,0	0,4	PHS 35-2TB35		
	40	126,75	121,41	B	1610	12,70	41,28	25,40	82,55	4,110	14,250	1,3	0,4	PHS 35-2TB40		
	45	141,99	136,65	B	1610	12,70	41,28	25,40	82,55	4,110	14,250	1,5	0,4	PHS 35-2TB45		
	48	151,13	145,54	B	1610	12,70	41,28	25,40	92,08	4,110	14,250	1,6	0,4	PHS 35-2TB48		
	54	169,16	163,83	B	1610	12,70	41,28	25,40	92,08	4,110	14,250	1,8	0,4	PHS 35-2TB54		
	60	187,45	182,12	B	1610	12,70	41,28	25,40	92,08	4,110	14,250	2,2	0,4	PHS 35-2TB60		
	70	217,68	212,34	B	1610	12,70	41,28	25,40	92,08	4,110	14,250	2,9	0,4	PHS 35-2TB70		
	80	248,16	242,57	B	1610	12,70	41,28	25,40	92,08	4,110	14,250	3,6	0,4	PHS 35-2TB80		
	96	296,67	291,08	B	1610	12,70	41,28	25,40	92,08	4,110	14,250	4,5	0,4	PHS 35-2TB96		
	112	345,19	339,60	B	1610	12,70	41,28	25,40	92,08	4,110	14,250	4,9	0,4	PHS 35-2TB112		
	12,70	1/2	15	67,31	60,96	A	1008	9,53	25,40	22,23	32,15	6,990	21,360	0,2	0,1	PHS 40-2TBH15
			16	71,37	65,02	A	1008	9,53	25,40	22,23	32,15	6,990	21,360	0,3	0,1	PHS 40-2TBH16
17			75,69	69,09	A	1008	9,53	25,40	22,23	32,15	6,990	21,360	0,3	0,1	PHS 40-2TBH17	
18			79,50	73,15	B	1210	15,88	31,75	25,40	58,74	6,990	21,360	0,3	0,3	PHS 40-2TBH18	
19			83,82	77,22	B	1210	15,88	31,75	25,40	63,50	6,990	21,360	0,4	0,3	PHS 40-2TBH19	
20			87,88	81,28	B	1610	12,70	41,28	25,40	66,68	6,990	21,360	0,4	0,4	PHS 40-2TBH20	
21			91,95	85,34	B	1610	12,70	41,28	25,40	69,85	6,990	21,360	0,5	0,4	PHS 40-2TBH21	
23			100,08	93,22	B	1610	12,70	41,28	25,40	76,20	6,990	21,360	0,6	0,4	PHS 40-2TBH23	
25			108,20	101,35	B	2012	19,05	50,80	31,75	86,52	6,990	21,360	0,7	0,8	PHS 40-2TBH25	
30		128,52	121,41	B	2012	19,05	50,80	31,75	107,55	6,990	21,360	1,5	0,8	PHS 40-2TB30		
36		152,65	145,80	B	2012	19,05	50,80	31,75	130,97	6,990	21,360	2,7	0,8	PHS 40-2TB36		
42		177,04	169,93	C	2517	19,05	63,50	44,45	107,95	6,990	21,360	3,2	1,6	PHS 40-2TB42		
48		201,42	194,06	C	2517	19,05	63,50	44,45	107,95	6,990	21,360	4,4	1,6	PHS 40-2TB48		
52		217,68	210,31	C	2517	19,05	63,50	44,45	107,95	6,990	21,360	5,2	1,6	PHS 40-2TB52		
60		249,94	242,57	C	2517	19,05	63,50	44,45	107,95	6,990	21,360	7,0	1,6	PHS 40-2TB60		
68		282,45	275,08	C	2517	19,05	63,50	44,45	107,95	6,990	21,360	9,3	1,6	PHS 40-2TB68		
76		314,71	307,34	C	2517	19,05	63,50	44,45	107,95	6,990	21,360	11,7	1,6	PHS 40-2TB76		
84		346,96	339,60	C	2517	19,05	63,50	44,45	107,95	6,990	21,360	14,3	1,6	PHS 40-2TB84		
95		391,41	384,05	C	2517	19,05	63,50	44,45	107,95	6,990	21,360	15,5	1,6	PHS 40-2TB95		
102		419,86	412,50	C	2517	19,05	63,50	44,45	107,95	6,990	21,360	16,7	1,6	PHS 40-2TB102		
15,88	5/8	14	78,99	71,37	A	1008	9,53	25,40	22,23	-	8,430	26,540	0,4	0,1	PHS 50-2TBH14	
		15	84,07	76,45	A	1210	15,88	31,75	25,40	-	8,430	26,540	0,4	0,3	PHS 50-2TBH15	
		16	89,41	81,28	A	1210	15,88	31,75	25,40	-	8,430	26,540	0,5	0,3	PHS 50-2TBH16	
		17	94,49	86,61	A	1610	12,70	41,28	25,40	-	8,430	26,540	0,5	0,3	PHS 50-2TBH17	
		18	99,57	91,44	A	1610	12,70	41,28	25,40	-	8,430	26,540	0,6	0,4	PHS 50-2TBH18	
		19	104,65	96,52	A	1610	12,70	41,28	25,40	-	8,430	26,540	0,7	0,4	PHS 50-2TBH19	
		20	109,73	101,60	B	2012	19,05	50,80	31,75	82,55	8,430	26,540	0,7	0,8	PHS 50-2TBH20	
		21	114,81	106,43	B	2012	19,05	50,80	31,75	88,90	8,430	26,540	0,9	0,8	PHS 50-2TBH21	
	25	135,13	126,75	B	2012	19,05	50,80	31,75	108,74	8,430	26,540	1,7	0,8	PHS 50-2TBH25		
	30	160,53	151,89	B	2517	19,05	63,50	44,45	134,14	8,430	26,540	3,4	1,6	PHS 50-2TB30		
	36	191,01	182,12	C	2517	19,05	63,50	44,45	107,95	8,430	26,540	4,3	1,6	PHS 50-2TB36		
	42	221,23	212,34	C	2517	19,05	63,50	44,45	107,95	8,430	26,540	6,1	1,6	PHS 50-2TB42		
	48	251,71	242,82	C	2517	19,05	63,50	44,45	107,95	8,430	26,540	8,4	1,6	PHS 50-2TB48		
	52	272,03	262,89	C	2517	19,05	63,50	44,45	111,13	8,430	26,540	10,1	1,6	PHS 50-2TB52		
	60	312,42	303,28	C	2517	19,05	63,50	44,45	111,13	8,430	26,540	13,7	1,6	PHS 50-2TB60		

All Type B or C sprockets, up to and including 25 tooth, are with hardened teeth as standard. For any additional size sprockets with hardened teeth, add "H" before the number of teeth, e.g. PHS 35-2TBH19.



# ANSI sprockets, duplex, taper bushed

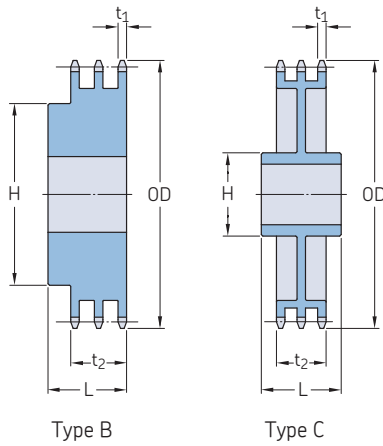
ANSI 50-2 · 15,88 mm (5/8") pitch | ANSI 60-2 · 19,05 mm (3/4") pitch | ANSI 80-2 · 25,40 mm (1") pitch

Pitch	Number of teeth	Diameters		Type	Bushing number	Dimensions				Plate thickness		Mass Rim	Bushing	Designation			
		Outside	Pitch			Bore		L	H	t <sub>1</sub>	t <sub>2</sub>						
		OD	PD			Min.	Max.										
mm	in.	mm	mm	mm	mm	mm	mm	mm	mm	mm	mm	kg	mm	mm			
15,88	5/8	68	352,81	343,66	C	2517	19,05	63,50	44,45	111,13	8,430	26,540	17,9	1,6	PHS 50-2TB68		
		76	393,45	384,05	C	2517	19,05	63,50	44,45	111,13	8,430	26,540	18,7	1,6	PHS 50-2TB76		
		84	433,83	424,43	C	2517	19,05	63,50	44,45	111,13	8,430	26,540	20,6	1,6	PHS 50-2TB84		
		95	489,46	480,06	C	2517	19,05	63,50	44,45	111,13	8,430	26,540	26,7	1,6	PHS 50-2TB95		
		102	524,76	515,62	C	2517	19,05	63,50	44,45	111,13	8,430	26,540	30,4	1,6	PHS 50-2TB102		
19,05	3/4	13	88,65	79,50	B	1215	15,88	31,75	38,10	57,15	11,280	34,060	0,5	0,7	PHS 60-2TBH13		
		14	95,00	85,60	B	1215	15,88	31,75	38,10	63,50	11,280	34,060	0,7	0,8	PHS 60-2TBH14		
		15	101,09	91,69	B	1615	12,70	41,28	38,10	71,44	11,280	34,060	0,6	0,8	PHS 60-2TBH15		
		16	107,19	97,54	B	1615	12,70	41,28	38,10	76,20	11,280	34,060	1,0	1,0	PHS 60-2TBH16		
		17	113,28	103,63	B	1615	12,70	41,28	38,10	82,55	11,280	34,060	1,1	1,3	PHS 60-2TBH17		
		18	119,38	109,73	A	2012	19,05	50,80	31,75	-	11,280	34,060	1,4	1,1	PHS 60-2TBH18		
		19	125,73	115,82	A	2012	19,05	50,80	31,75	-	11,280	34,060	1,6	1,3	PHS 60-2TBH19		
		20	131,57	121,67	B	2517	19,05	38,10	44,45	100,41	11,280	34,060	1,8	1,3	PHS 60-2TBH20		
		21	137,92	127,76	B	2517	19,05	38,10	44,45	106,36	11,280	34,060	2,3	1,7	PHS 60-2TBH21		
		25	162,31	126,49	B	2517	19,05	38,10	44,45	130,97	11,280	34,060	3,4	3,4	PHS 60-2TBH25		
		30	192,79	182,12	B	2517	19,05	38,10	44,45	161,13	11,280	34,060	6,1	6,0	PHS 60-2TB30		
		36	229,11	218,69	C	2517	19,05	38,10	44,45	107,95	11,280	34,060	7,9	7,9	PHS 60-2TB36		
		42	265,68	255,02	C	2517	19,05	38,10	44,45	107,95	11,280	34,060	11,6	11,3	PHS 60-2TB42		
		45	283,97	273,05	C	2517	19,05	38,10	44,45	107,95	11,280	34,060	13,4	13,3	PHS 60-2TB45		
		52	326,39	315,47	C	2517	19,05	38,10	44,45	107,95	11,280	34,060	18,6	18,3	PHS 60-2TB52		
		60	374,90	363,98	C1	2517	19,05	38,10	44,45	107,95	11,280	34,060	14,7	15,2	PHS 60-2TB60		
		68	423,42	412,50	C1	2517	19,05	38,10	44,45	114,30	11,280	34,060	16,6	19,6	PHS 60-2TB68		
		76	471,93	461,01	C1	3020	31,75	76,20	50,80	133,35	11,280	34,060	19,3	21,7	PHS 60-2TB76		
		95	587,25	576,07	C1	3020	31,75	76,20	50,80	133,35	11,280	34,060	22,0	31,7	PHS 60-2TB95		
		25,40	1	13	118,36	106,17	A	1615	12,70	41,28	38,10	-	14,150	43,430	1,5	0,5	PHS 80-2TBH13
				14	126,49	114,05	A	2012	19,05	50,80	31,75	-	14,150	43,430	1,6	0,8	PHS 80-2TBH14
				15	134,62	122,17	A	2012	19,05	50,80	31,75	-	14,150	43,430	2,0	0,8	PHS 80-2TBH15
				16	143,00	130,30	A	2517	19,05	63,50	44,45	79,38	14,150	43,430	1,7	1,6	PHS 80-2TBH16
				17	151,13	138,18	A	2517	19,05	63,50	44,45	79,38	14,150	43,430	2,3	1,6	PHS 80-2TBH17
				18	159,26	146,30	A	2517	19,05	63,50	44,45	79,38	14,150	43,430	2,9	1,6	PHS 80-2TBH18
19	167,39			154,43	B	3020	31,75	76,20	50,80	127,00	14,150	43,430	2,5	3,0	PHS 80-2TBH19		
20	175,51			162,31	B	3020	31,75	76,20	50,80	133,35	14,150	43,430	3,2	3,0	PHS 80-2TBH20		
21	183,90			170,43	B	3020	31,75	76,20	50,80	141,29	14,150	43,430	4,0	3,0	PHS 80-2TBH21		
25	216,41			202,69	B	3020	31,75	76,20	50,80	174,63	14,150	43,430	7,5	3,0	PHS 80-2TBH25		
30	256,79			243,08	C	3020	31,75	76,20	50,80	133,35	14,150	43,430	11,4	3,0	PHS 80-2TB30		
36	305,56			291,34	C	3020	31,75	76,20	50,80	133,35	14,150	43,430	17,9	3,0	PHS 80-2TB36		
42	354,08			340,11	C	3020	31,75	76,20	50,80	133,35	14,150	43,430	16,5	3,0	PHS 80-2TB42		
45	378,46			364,24	C1	3020	31,75	76,20	50,80	133,35	14,150	43,430	18,8	3,0	PHS 80-2TB45		
52	435,10			420,62	C1	3020	31,75	76,20	50,80	133,35	14,150	43,430	25,5	3,0	PHS 80-2TB52		
60	499,87			485,39	C1	3020	31,75	76,20	50,80	133,35	14,150	43,430	30,1	3,0	PHS 80-2TB60		
68	564,64			549,91	C1	3020	31,75	76,20	50,80	133,35	14,150	43,430	32,7	3,0	PHS 80-2TB68		
76	629,41			614,68	C1	3020	31,75	76,20	50,80	133,35	14,150	43,430	40,4	3,0	PHS 80-2TB76		
95	783,08			768,35	C1	3020	31,75	76,20	50,80	133,35	14,150	43,430	50,8	3,0	PHS 80-2TB95		

All Type B or C sprockets, up to and including 25 tooth, are with hardened teeth as standard.  
For any additional size sprockets with hardened teeth, add "H" before the number of teeth, e.g. PHS 35-2TBH19.

ANSI sprockets, triplex, pilot bore

ANSI 35-3 · 9,53 mm (3/8") pitch | ANSI 40-3 · 12,70 mm (1/2") pitch



Pitch	Number of teeth	Outside diameter	Type	Dimensions Bore				Plate thickness		Mass	Designation	
				Min.	Max.	H	L	t <sub>1</sub>	t <sub>2</sub>			
-	in.	mm	-	mm						kg	-	
9,53	3/8	13	B	44,45	12,70	17,46	28,18	44,45	4,110	24,380	0,2	PHS 35-3BH13
		14	B	47,50	12,70	22,23	31,75	44,45	4,110	24,380	0,3	PHS 35-3BH14
		15	B	50,55	12,70	23,81	35,72	44,45	4,110	24,380	0,4	PHS 35-3BH15
		16	B	53,59	12,70	23,81	37,31	44,45	4,110	24,380	0,4	PHS 35-3BH16
		17	B	56,64	12,70	17,46	40,48	44,45	4,110	24,380	0,5	PHS 35-3BH17
		18	B	59,69	12,70	20,64	43,66	44,45	4,110	24,380	0,6	PHS 35-3BH18
		19	B	62,74	12,70	23,81	47,63	44,45	4,110	24,380	0,6	PHS 35-3BH19
		20	B	65,79	19,05	23,81	49,21	47,63	4,110	24,380	0,7	PHS 35-3BH20
		21	B	68,83	19,05	34,93	52,39	47,63	4,110	24,380	0,8	PHS 35-3BH21
		22	B	71,88	19,05	36,51	55,56	47,63	4,110	24,380	0,9	PHS 35-3BH22
		23	B	74,93	19,05	38,10	57,15	47,63	4,110	24,380	1,0	PHS 35-3BH23
		24	B	77,98	19,05	38,10	57,15	47,63	4,110	24,380	1,0	PHS 35-3BH24
		25	B	81,03	19,05	38,10	57,15	47,63	4,110	24,380	1,1	PHS 35-3BH25
		26	B	84,07	19,05	38,10	63,50	47,63	4,110	24,380	1,3	PHS 35-3B26
		30	B	96,27	19,05	44,45	63,50	47,63	4,110	24,380	1,6	PHS 35-3B30
		36	B	114,55	19,05	44,45	63,50	47,63	4,110	24,380	2,1	PHS 35-3B36
		42	B	132,84	19,05	44,45	63,50	47,63	4,110	24,380	2,7	PHS 35-3B42
		48	B	151,13	19,05	44,45	63,50	47,63	4,110	24,380	3,4	PHS 35-3B48
		52	B	163,32	19,05	44,45	63,50	47,63	4,110	24,380	3,9	PHS 35-3B52
		60	B	187,45	19,05	44,45	63,50	47,63	4,110	24,380	5,1	PHS 35-3B60
		68	B	211,84	19,05	60,33	88,90	47,63	4,110	24,380	7,0	PHS 35-3B68
		72	B	223,77	19,05	60,33	88,90	47,63	4,110	24,380	7,9	PHS 35-3B72
76	B	235,97	19,05	60,33	88,90	47,63	4,110	24,380	8,6	PHS 35-3B76		
84	B	260,35	19,05	60,33	88,90	47,63	4,110	24,380	10,4	PHS 35-3B84		
95	B	293,62	25,40	63,50	95,25	53,98	4,110	24,380	13,3	PHS 35-3B95		
96	B	296,67	25,40	63,50	95,25	53,98	4,110	24,380	13,6	PHS 35-3B96		
102	B	314,96	25,40	63,50	95,25	53,98	4,110	24,380	15,1	PHS 35-3B102		
12,70	1/2	11	B	50,80	12,70	19,05	36,51	53,98	6,990	35,740	0,4	PHS 40-3BH11
		12	B	55,12	12,70	23,81	39,69	53,98	6,990	35,740	0,5	PHS 40-3BH12
		13	B	59,18	12,70	25,40	38,10	53,98	6,990	35,740	0,6	PHS 40-3BH13
		14	B	63,25	12,70	28,58	42,86	53,98	6,990	35,740	0,7	PHS 40-3BH14
		15	B	67,31	12,70	31,75	46,04	53,98	6,990	35,740	0,8	PHS 40-3BH15
		16	B	71,37	15,88	34,93	50,80	53,98	6,990	35,740	0,9	PHS 40-3BH16
		17	B	75,69	15,88	36,51	53,98	53,98	6,990	35,740	1,1	PHS 40-3BH17
		18	B	79,76	15,88	38,10	58,74	53,98	6,990	35,740	1,2	PHS 40-3BH18
		19	B	83,82	15,88	44,45	63,50	53,98	6,990	35,740	1,4	PHS 40-3BH19
		20	B	87,88	15,88	47,63	66,68	57,15	6,990	35,740	1,7	PHS 40-3BH20
		21	B	91,95	15,88	47,63	69,85	57,15	6,990	35,740	1,8	PHS 40-3BH21
		22	B	96,01	15,88	47,63	73,03	57,15	6,990	35,740	2,1	PHS 40-3BH22
		23	B	100,08	15,88	50,80	76,20	57,15	6,990	35,740	2,3	PHS 40-3BH23
		24	B	104,14	15,88	57,15	82,55	57,15	6,990	35,740	2,6	PHS 40-3BH24
		25	B	108,20	15,88	57,15	82,55	57,15	6,990	35,740	2,7	PHS 40-3BH25
		26	B	112,27	15,88	57,15	82,55	57,15	6,990	35,740	2,9	PHS 40-3B26
		30	B	128,52	22,23	57,15	82,55	57,15	6,990	35,740	3,6	PHS 40-3B30
		35	B	148,84	22,23	57,15	82,55	57,15	6,990	35,740	4,7	PHS 40-3B35
		36	B	152,91	23,81	63,50	95,25	60,33	6,990	35,740	5,3	PHS 40-3B36
		42	B	177,04	23,81	63,50	95,25	60,33	6,990	35,740	7,0	PHS 40-3B42
		48	B	201,42	23,81	63,50	95,25	60,33	6,990	35,740	8,8	PHS 40-3B48
		52	B	217,68	23,81	63,50	95,25	60,33	6,990	35,740	10,2	PHS 40-3B52
60	B	249,94	23,81	63,50	95,25	60,33	6,990	35,740	13,6	PHS 40-3B60		
68	B	282,45	30,16	69,85	101,60	66,68	6,990	35,740	17,4	PHS 40-3B68		
72	B	298,45	30,16	69,85	101,60	66,68	6,990	35,740	19,3	PHS 40-3B72		
76	B	314,71	30,16	69,85	101,60	66,68	6,990	35,740	21,3	PHS 40-3B76		

Maximum bores can accommodate standard keyways. Larger bores are available where a shallow keyway is used or no keyway is required. All Type B or C sprockets, up to and including 25 tooth, are with hardened teeth as standard. For any additional size sprockets with hardened teeth, add "H" before the number of teeth, e.g. PHS 35-3BH13.

**ANSI sprockets, triplex, pilot bore**

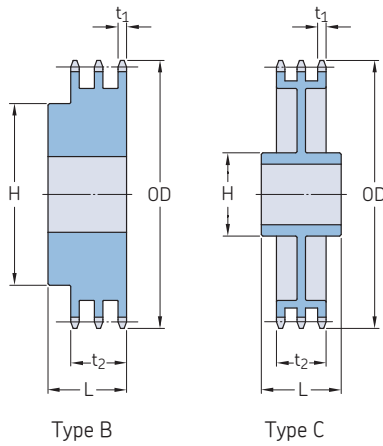
ANSI 40-3 · 12,70 mm (1/2") pitch | ANSI 50-3 · 15,88 mm (5/8") pitch | ANSI 60-3 · 19,05 mm (3/4") pitch | ANSI 80-3 · 25,40 mm (1") pitch

Pitch	Number of teeth	Outside diameter	Type	Dimensions Bore				Plate thickness		Mass	Designation	
				OD	Min. Max.		H	L	t <sub>1</sub>			t <sub>2</sub>
					mm	mm						
<b>12,70</b>	<b>1/2</b>											
		<b>84</b>	346,96	B	30,16	69,85	107,95	69,85	6,990	35,740	26,0	PHS 40-3B84
		<b>95</b>	391,41	B	30,16	69,85	107,95	69,85	6,990	35,740	28,2	PHS 40-3B95
		<b>102</b>	419,86	B	30,16	69,85	107,95	69,85	6,990	35,740	31,0	PHS 40-3B102
<b>15,88</b>	<b>5/8</b>											
		<b>11</b>	63,50	B	15,88	23,81	37,31	63,50	8,430	44,650	0,6	PHS 50-3BH11
		<b>12</b>	68,83	B	15,88	28,58	42,86	63,50	8,430	44,650	0,8	PHS 50-3BH12
		<b>13</b>	73,91	B	15,88	33,34	47,63	63,50	8,430	44,650	1,0	PHS 50-3BH13
		<b>14</b>	78,99	B	15,88	34,93	52,39	63,50	8,430	44,650	1,2	PHS 50-3BH14
		<b>15</b>	84,33	B	19,05	38,10	58,74	63,50	8,430	44,650	1,5	PHS 50-3BH15
		<b>16</b>	89,41	B	19,05	44,45	63,50	63,50	8,430	44,650	1,7	PHS 50-3BH16
		<b>17</b>	94,49	B	19,05	47,63	68,26	63,50	8,430	44,650	2,0	PHS 50-3BH17
		<b>18</b>	99,57	B	19,05	49,21	74,61	63,50	8,430	44,650	2,3	PHS 50-3BH18
		<b>19</b>	104,65	B	25,40	53,98	79,38	63,50	8,430	44,650	2,5	PHS 50-3BH19
		<b>20</b>	109,73	B	25,40	57,15	82,55	66,68	8,430	44,650	2,9	PHS 50-3BH20
		<b>21</b>	114,81	B	25,40	60,33	88,90	66,68	8,430	44,650	3,4	PHS 50-3BH21
		<b>22</b>	119,89	B	25,40	60,33	90,49	66,68	8,430	44,650	3,6	PHS 50-3BH22
		<b>23</b>	124,97	B	25,40	63,50	92,08	66,68	8,430	44,650	4,0	PHS 50-3BH23
		<b>24</b>	130,05	B	25,40	63,50	92,08	66,68	8,430	44,650	4,3	PHS 50-3BH24
		<b>25</b>	135,13	B	25,40	63,50	92,08	66,68	8,430	44,650	4,6	PHS 50-3BH25
		<b>26</b>	140,21	B	25,40	63,50	95,25	66,68	8,430	44,650	5,0	PHS 50-3B26
		<b>30</b>	160,53	B	25,40	63,50	95,25	66,68	8,430	44,650	6,5	PHS 50-3B30
		<b>35</b>	185,93	B	25,40	63,50	95,25	66,68	8,430	44,650	8,6	PHS 50-3B35
		<b>36</b>	191,01	B	30,16	69,85	101,60	69,85	8,430	44,650	9,3	PHS 50-3B36
		<b>42</b>	221,49	B	30,16	69,85	101,60	69,85	8,430	44,650	12,5	PHS 50-3B42
		<b>48</b>	251,71	B	30,16	69,85	101,60	79,38	8,430	44,650	16,6	PHS 50-3B48
		<b>52</b>	272,03	B	30,16	69,85	101,60	79,38	8,430	44,650	19,3	PHS 50-3B52
		<b>60</b>	312,42	B	33,34	76,20	114,30	79,38	8,430	44,650	25,8	PHS 50-3B60
		<b>68</b>	352,81	B	33,34	76,20	114,30	79,38	8,430	44,650	33,2	PHS 50-3B68
		<b>72</b>	373,13	C	33,34	76,20	120,65	88,90	8,430	44,650	24,7	PHS 50-3C72
		<b>76</b>	393,45	C	33,34	76,20	120,65	88,90	8,430	44,650	23,2	PHS 50-3C76
		<b>84</b>	433,83	C	33,34	76,20	120,65	88,90	8,430	44,650	29,6	PHS 50-3C84
		<b>95</b>	489,46	C	33,34	76,20	120,65	95,25	8,430	44,650	33,8	PHS 50-3C95
		<b>102</b>	524,76	C	33,34	76,20	120,65	95,25	8,430	44,650	36,3	PHS 50-3C102
<b>19,05</b>	<b>3/4</b>											
		<b>11</b>	76,20	B	25,40	31,75	46,04	76,20	11,280	56,850	1,1	PHS 60-3BH11
		<b>12</b>	82,55	B	25,40	36,51	53,98	76,20	11,280	56,850	1,5	PHS 60-3BH12
		<b>13</b>	88,65	B	25,40	38,10	57,15	76,20	11,280	56,850	1,8	PHS 60-3BH13
		<b>14</b>	95,00	B	25,40	44,45	63,50	76,20	11,280	56,850	2,0	PHS 60-3BH14
		<b>15</b>	101,09	B	25,40	47,63	71,44	76,20	11,280	56,850	2,5	PHS 60-3BH15
		<b>16</b>	107,19	B	25,40	50,80	76,20	76,20	11,280	56,850	3,0	PHS 60-3BH16
		<b>17</b>	113,28	B	25,40	57,15	82,55	76,20	11,280	56,850	3,5	PHS 60-3BH17
		<b>18</b>	119,38	B	25,40	60,33	88,90	76,20	11,280	56,850	3,9	PHS 60-3BH18
		<b>19</b>	125,73	B	25,40	63,50	93,66	76,20	11,280	56,850	4,5	PHS 60-3BH19
		<b>20</b>	131,83	B	25,40	63,50	95,25	76,20	11,280	56,850	5,1	PHS 60-3BH20
		<b>21</b>	137,92	B	25,40	69,85	104,78	76,20	11,280	56,850	5,7	PHS 60-3BH21
		<b>22</b>	144,02	B	25,40	69,85	107,95	76,20	11,280	56,850	6,0	PHS 60-3BH22
		<b>23</b>	150,11	B	25,40	69,85	107,95	76,20	11,280	56,850	6,6	PHS 60-3BH23
		<b>24</b>	156,21	B	25,40	69,85	107,95	76,20	11,280	56,850	7,2	PHS 60-3BH24
		<b>25</b>	162,31	B	25,40	69,85	107,95	76,20	11,280	56,850	7,7	PHS 60-3BH25
		<b>26</b>	168,40	B	25,40	69,85	107,95	76,20	11,280	56,850	8,4	PHS 60-3B26
		<b>30</b>	192,79	B	25,40	69,85	107,95	76,20	11,280	56,850	10,5	PHS 60-3B30
		<b>35</b>	223,01	B	31,75	76,20	114,30	82,55	11,280	56,850	15,7	PHS 60-3B35
		<b>36</b>	229,11	B	31,75	76,20	114,30	82,55	11,280	56,850	16,8	PHS 60-3B36
		<b>42</b>	265,68	B	31,75	82,55	120,65	92,08	11,280	56,850	22,2	PHS 60-3B42
		<b>45</b>	283,97	B	31,75	82,55	120,65	92,08	11,280	56,850	25,9	PHS 60-3B45
		<b>52</b>	326,39	C	31,75	82,55	120,65	88,90	11,280	56,850	33,1	PHS 60-3C52
		<b>60</b>	374,90	C	31,75	82,55	120,65	88,90	11,280	56,850	28,6	PHS 60-3C60
		<b>68</b>	423,42	C	31,75	82,55	127,00	88,90	11,280	56,850	33,1	PHS 60-3C68
		<b>72</b>	447,80	C	31,75	82,55	127,00	88,90	11,280	56,850	38,6	PHS 60-3C72
		<b>76</b>	471,93	C	38,10	95,25	139,70	88,90	11,280	56,850	37,2	PHS 60-3C76
		<b>95</b>	587,25	C	38,10	95,25	139,70	101,60	11,280	56,850	47,6	PHS 60-3C95
<b>25,40</b>	<b>1</b>											
		<b>11</b>	101,85	B	25,40	44,45	63,50	92,08	14,150	72,720	2,7	PHS 80-3BH11
		<b>12</b>	109,98	B	25,40	47,63	72,23	92,08	14,150	72,720	3,4	PHS 80-3BH12
		<b>13</b>	118,36	B	25,40	57,15	80,17	92,08	14,150	72,720	4,2	PHS 80-3BH13
		<b>14</b>	126,49	B	25,40	60,33	88,11	92,08	14,150	72,720	5,0	PHS 80-3BH14
		<b>15</b>	134,62	B	25,40	63,50	96,44	92,08	14,150	72,720	5,9	PHS 80-3BH15
		<b>16</b>	143,00	B	25,40	69,85	101,60	98,43	14,150	72,720	7,2	PHS 80-3BH16
		<b>17</b>	151,13	B	25,40	76,20	112,32	98,43	14,150	72,720	8,4	PHS 80-3BH17
		<b>18</b>	159,26	B	25,40	82,55	120,25	98,43	14,150	72,720	9,6	PHS 80-3BH18
		<b>19</b>	167,39	B	25,40	84,14	127,00	98,43	14,150	72,720	10,8	PHS 80-3BH19
		<b>20</b>	175,51	B	25,40	84,14	127,00	98,43	14,150	72,720	11,8	PHS 80-3BH20
		<b>21</b>	183,90	B	25,40	84,14	127,00	98,43	14,150	72,720	12,9	PHS 80-3BH21
		<b>22</b>	192,02	B	25,40	84,14	127,00	98,43	14,150	72,720	14,1	PHS 80-3BH22
		<b>23</b>	200,15	B	25,40	84,14	127,00	98,43	14,150	72,720	15,2	PHS 80-3BH23
		<b>24</b>	208,28	B	25,40	88,90	133,35	98,43	14,150	72,720	16,8	PHS 80-3BH24

Maximum bores can accommodate standard keyways. Larger bores are available where a shallow keyway is used or no keyway is required. All Type B or C sprockets, up to and including 25 tooth, are with hardened teeth as standard. For any additional size sprockets with hardened teeth, add "H" before the number of teeth, e.g. PHS 35-3BH13.

# ANSI sprockets, triplex, pilot bore

ANSI 80-3 · 25,40 mm (1") pitch | ANSI 100-3 · 31,75 mm (1¼") pitch



Pitch	Number of teeth	Outside diameter	Type	Dimensions Bore		H	L	Plate thickness		Mass	Designation			
				Min.	Max.			t <sub>1</sub>	t <sub>2</sub>					
–	in.	mm	–	mm		–	–	–	–	kg	–			
25,40	1	25	B	25,40	88,90	133,35	98,43	14,150	72,720	18,2	PHS 80-3BH25			
		26	B	25,40	88,90	133,35	98,43	14,150	72,720	19,5	PHS 80-3B26			
		30	B	31,75	95,25	146,05	107,95	14,150	72,720	24,7	PHS 80-3B30			
		35	B	31,75	95,25	146,05	107,95	14,150	72,720	36,1	PHS 80-3B35			
		36	B	31,75	95,25	146,05	107,95	14,150	72,720	38,1	PHS 80-3B36			
	25,40	2	42	C	31,75	96,84	152,40	114,30	14,150	72,720	38,5	PHS 80-3C42		
			45	C	31,75	96,84	152,40	114,30	14,150	72,720	41,9	PHS 80-3C45		
			52	C	38,10	96,84	152,40	114,30	14,150	72,720	48,5	PHS 80-3C52		
			60	C	38,10	107,95	158,75	120,65	14,150	72,720	58,1	PHS 80-3C60		
			68	C	38,10	107,95	158,75	120,65	14,150	72,720	63,5	PHS 80-3C68		
		25,40	3	76	C	38,10	107,95	158,75	120,65	14,150	72,720	74,8	PHS 80-3C76	
				95	C	38,10	114,30	171,45	127,00	14,150	72,720	108,9	PHS 80-3C95	
			31,75	1¼	11	B	25,40	53,98	79,38	107,95	16,990	88,520	5,3	PHS 100-3BH11
					12	B	28,58	57,15	85,73	107,95	16,990	88,520	6,2	PHS 100-3BH12
13	B	28,58			63,50	96,84	107,95	16,990	88,520	7,7	PHS 100-3BH13			
14	B	28,58			69,85	106,36	107,95	16,990	88,520	9,2	PHS 100-3BH14			
15	B	31,75			79,38	117,48	114,30	16,990	88,520	11,3	PHS 100-3BH15			
31,75	2	16			B	31,75	84,14	127,00	114,30	16,990	88,520	13,3	PHS 100-3BH16	
		17			B	31,75	88,90	133,35	114,30	16,990	88,520	15,3	PHS 100-3BH17	
		18			B	31,75	88,90	133,35	120,65	16,990	88,520	17,5	PHS 100-3BH18	
		19			B	31,75	95,25	139,70	120,65	16,990	88,520	19,6	PHS 100-3BH19	
		20			B	31,75	95,25	139,70	120,65	16,990	88,520	21,7	PHS 100-3BH20	
		21		B	31,75	95,25	139,70	120,65	16,990	88,520	23,7	PHS 100-3BH21		
		22		B	31,75	95,25	139,70	120,65	16,990	88,520	26,1	PHS 100-3BH22		
		23		B	31,75	95,25	139,70	120,65	16,990	88,520	28,4	PHS 100-3BH23		
31,75	3	24		B	31,75	95,25	146,05	120,65	16,990	88,520	31,3	PHS 100-3BH24		
		25		B	31,75	95,25	146,05	120,65	16,990	88,520	33,1	PHS 100-3BH25		
		26		B	38,10	96,84	146,05	120,65	16,990	88,520	35,8	PHS 100-3B26		
		30		B	38,10	96,84	146,05	120,65	16,990	88,520	46,7	PHS 100-3B30		
		35		C	38,10	101,60	152,40	127,00	16,990	88,520	49,0	PHS 100-3C35		
		45	C	38,10	101,60	152,40	127,00	16,990	88,520	64,9	PHS 100-3C45			
		60	C	38,10	136,53	190,50	127,00	16,990	88,520	98,4	PHS 100-3C60			
		70	C	38,10	136,53	190,50	127,00	16,990	88,520	118,8	PHS 100-3C70			
		80	C	38,10	136,53	190,50	127,00	16,990	88,520	142,0	PHS 100-3C80			

Maximum bores can accommodate standard keyways. Larger bores are available where a shallow keyway is used or no keyway is required. All Type B or C sprockets, up to and including 25 tooth, are with hardened teeth as standard. For any additional size sprockets with hardened teeth, add "H" before the number of teeth, e.g. PHS 35-3BH13.





# Pulleys



Wedge belt pulleys . . . . . 254



Classical V-belt pulleys . . . . . 268



QD Classical V-belt pulleys . . . . . 276



Narrow wedge belt pulleys . . . . . 285



QD Narrow wedge belt pulleys . . . . . 292



HiTD pulleys . . . . . 301



Classical timing pulleys . . . . . 313



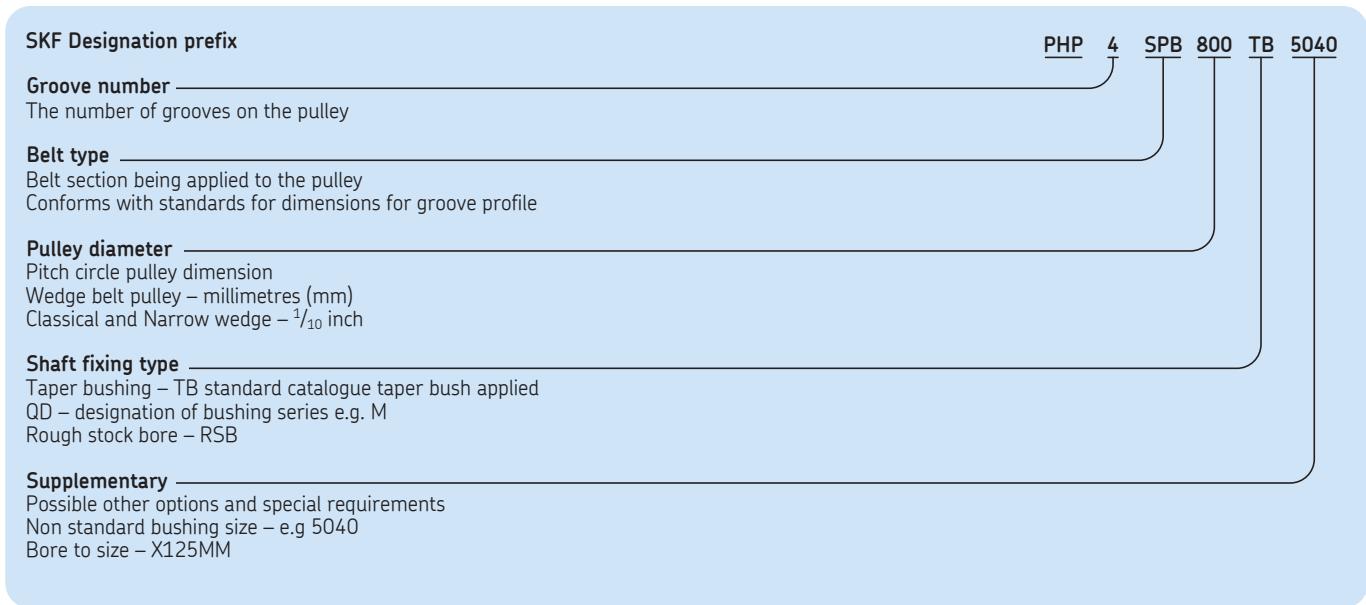
Metric timing pulleys . . . . . 325

## SKF Pulleys

SKF pulley range nomenclature has a defined prefix of PHP. All pulleys are made to be applied to standardized belts. SKF pulleys conform to conventional basic belt part number format – ISO, BS, or DIN.

### Pulleys – V-belts

The pulley range designation from SKF has the following is an example to indicate set up.



### Pulleys (PHP Product Group)

Classical and trapezoidal inch pitch timing pulleys (MXL, XL, L, H, XH, XXH) are manufactured according to ISO 5294.

Metric pitch series timing pulleys (T/AT) are manufactured according to DIN 7721.

All SKF V-belt pulleys are manufactured to the standards ISO 4183, DIN 2211, ANSI Narrow V-belt pulley IP-22 and the ANSI Classical V-belt pulley IP-20. They are interchangeable with type SPA, SPB, SPC and SPZ. The pulleys are made from cast iron G3000 (GG ) to American standard “SAEJ431AVG96”.

Following are the requirements of G3000:

- Tensile strength = 207Mpa
- Hardness = HB 187-241
- Chemical composition C 3,1-3,4 %, Si 1,9-2,3 %, Mn 0,6-0,9 %, S = 0,15 %, P = 0,15%

After being machined, pulleys are phosphated and treated with a rustproof oil.

All pulleys are statically balanced to G6.3 according to ISO 1940. After balanced the pulleys are suitable for the linear speed of not more than 35 m/s. Two Plane (Dynamic) balancing can be provided on request. SKF can issue a certificate stating that all pulleys are dynamically balanced in case of any special customer request.

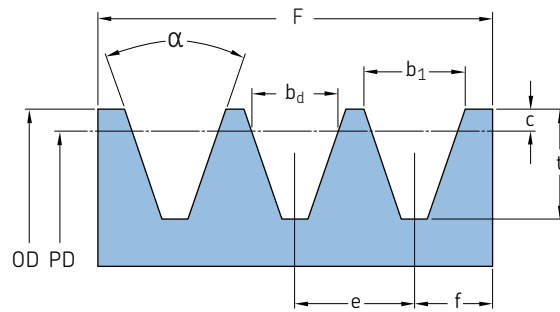


## Standard pulley groove dimensions DIN2211/1 and BS3970

Classical V-belt pulleys | Narrow Wedge V-belt pulleys (DIN / BS / ISO) | Narrow wedge belt pulleys (RMA)

### Nomenclature:

- $\alpha$  Pulley groove included angle (°)
- OD Outside diameter
- PD Effective (pitch) diameter
- $b_d$  Effective width at pitch line
- $b_1$  Groove top width
- c Distance from pitch to outside diameter (= OD - PD/2)
- e Transverse pitch of grooves (to centers)
- f Minimum recommended distance from edge of pulley to center of first groove
- t Total groove depth



### Classical V-belt pulleys

Classical belt series	Pitch diameter range	Groove angle	Dimensions				
		$\alpha$	$b_1$	$b_d$	t	c	e
–	mm	°	mm				
13/A-17/B	85 - 170	34	15,55	15,88	19,05	4,45	12,70
	Over 170	38		15,88	19,05	4,45	12,70
22/C	178 - 203	34	22,33	19,81	25,40	5,08	17,48
	203 - 305	36	22,53	19,81	25,40	5,08	17,48
32/D	Over 305	38	22,73	19,81	25,40	5,08	17,48
	305 - 330	34	31,98	26,67	36,53	7,62	22,23
	330 - 432	36	32,28	26,67	36,53	7,62	22,23
	Over 432	38	32,59	26,67	36,53	7,62	22,23
40/E	457 - 610	36	38,79	33,02	44,45	10,16	31,24
	Over 610	38	39,17	33,02	44,45	10,16	31,24

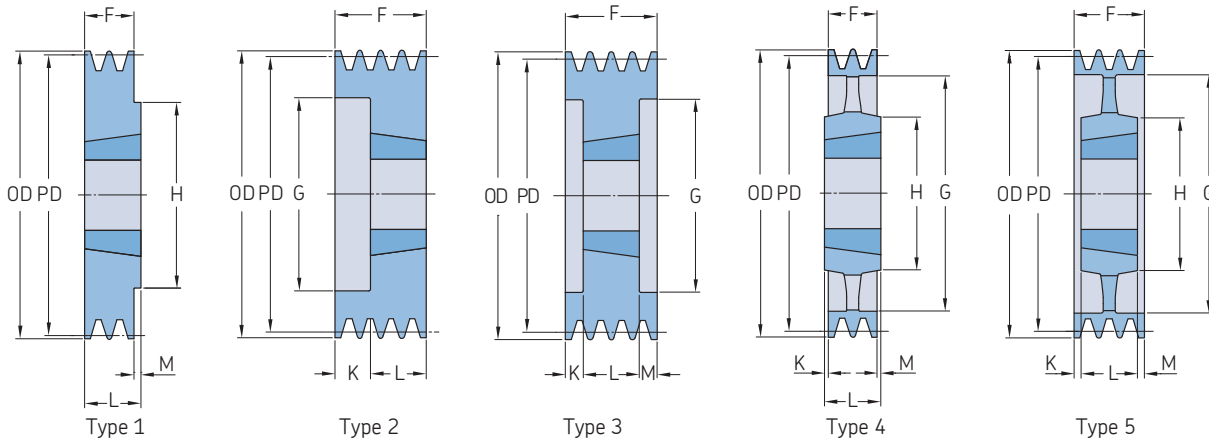
### Narrow Wedge V-belt pulleys (DIN / BS / ISO)

Classical belt series	Pitch diameter range	Groove angle	Dimensions					
		$\alpha$	$b_1$	$b_d$	$t(+0,6/-0,0)$	c	e	f
–	mm	°	mm					
SPZ	Up to & incl. 80	34	9,7	8,5	11,00	2,00	12,0 ± 0,3	8,0
	Over 80	38	9,7	8,5	11,00	2,00	12,0 ± 0,3	8,0
SPA	Up to & incl. 118	34	12,7	11,0	14,00	2,80	15,0 ± 0,3	10,0
	Over 118	38	12,7	11,0	14,00	2,80	15,0 ± 0,3	10,0
SPB	Up to & incl. 190	34	16,2	14,4	18,00	3,50	19,0 ± 0,4	12,5
	Over 190	38	16,2	14,4	18,00	3,50	19,0 ± 0,4	12,5
SPC	Up to & incl. 315	34	22,0	19,0	24,00	4,80	25,5 ± 0,5	17,0
	Over 315	38	22,0	19,0	24,00	4,80	25,5 ± 0,5	17,0

### Narrow wedge belt pulleys (RMA)

RMA Belt series	Pitch diameter range	Groove angle	Dimensions					
		$\alpha$	$b_1$	$b_d$	t	c	e	f
–	mm	°	mm					
3V, 3VX	Up to & incl. 90	36	8,89	8,89	8,64	0,64	10,3 ± 0,4	8,74
	Over 90 - 150	38	8,89	8,89	8,64	0,64	10,3 ± 0,4	8,74
	Over 150 - 305	40	8,89	8,89	8,64	0,64	10,3 ± 0,4	8,74
	Over 305	42	8,89	8,89	8,64	0,64	10,3 ± 0,4	8,74
5V, 5VX	Over 140 - 255	38	15,24	12,70	14,98	1,27	17,5 ± 0,4	3,20
	Over 255 - 405	40	15,24	12,70	14,98	1,27	17,5 ± 0,4	3,20
	Over 405	42	15,24	12,70	14,98	1,27	17,5 ± 0,4	3,20
8V, 8VX	Over 315 - 405	38	25,40	25,40	25,15	2,54	28,6 ± 0,4	6,40
	Over 405 - 570	40	25,40	25,40	25,15	2,54	28,6 ± 0,4	6,40
	Over 570	42	25,40	25,40	25,15	2,54	28,6 ± 0,4	6,40

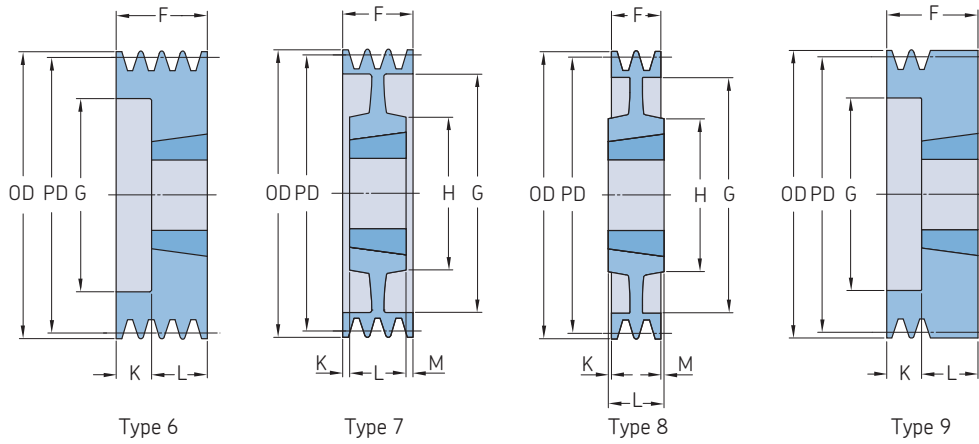
**Wedge belt pulleys**  
SPZ taper bushed



Section	Number of grooves	Pitch diameter PD	Pulley type	Bushing number	Dimensions									Mass <sup>1)</sup>	Designation
					Outer diameter OD	B Min.	Max.	F	G	K	L	M	H		
		mm			mm									kg	
SPZ	1	50	9	1008	54,0	9	25	37	28	12,0	22	-	-	0,3	PHP 1SPZ50TB
		56	9	1008	60,0	9	25	37	23	12,0	22	-	-	0,5	PHP 1SPZ56TB
		60	1	1108	64,0	9	25	22	-	-	22	-	-	0,3	PHP 1SPZ60TB
		63	1	1108	67,0	9	28	16	-	-	22	6,0	62	0,3	PHP 1SPZ63TB
		67	1	1108	71,0	9	28	16	-	-	22	6,0	62	0,3	PHP 1SPZ67TB
		71	1	1108	75,0	9	28	16	-	-	22	6,0	62	0,4	PHP 1SPZ71TB
		75	1	1108	79,0	9	28	16	-	-	22	6,0	62	0,4	PHP 1SPZ75TB
		80	1	1210	84,0	11	32	16	-	-	25	9,0	75	0,5	PHP 1SPZ80TB
		85	1	1210	89,0	11	32	16	-	-	25	9,0	75	0,7	PHP 1SPZ85TB
		90	1	1210	94,0	11	32	16	-	-	25	9,0	75	0,7	PHP 1SPZ90TB
		95	1	1210	99,0	11	32	16	-	-	25	9,0	75	0,8	PHP 1SPZ95TB
		100	1	1210	104,0	11	32	16	-	-	25	9,0	75	0,9	PHP 1SPZ100TB
		106	1	1610	110,0	14	42	16	-	-	25	9,0	80	1,0	PHP 1SPZ106TB
		112	1	1610	116,0	14	42	16	-	-	25	9,0	80	1,1	PHP 1SPZ112TB
		118	1	1610	122,0	14	42	16	-	-	25	9,0	80	1,2	PHP 1SPZ118TB
		125	1	1610	129,0	14	42	16	-	-	25	9,0	80	1,3	PHP 1SPZ125TB
		132	1	1610	136,0	14	42	16	-	-	25	9,0	80	1,5	PHP 1SPZ132TB
		140	1	1610	144,0	14	42	16	-	-	25	9,0	80	1,7	PHP 1SPZ140TB
		150	1	1610	154,0	14	42	16	-	-	25	9,0	80	2,0	PHP 1SPZ150TB
		160	1	1610	164,0	14	42	16	-	-	25	9,0	80	2,2	PHP 1SPZ160TB
		170	1	1610	174,0	14	42	16	-	-	25	9,0	80	2,2	PHP 1SPZ170TB
		180	4	1610	184,0	14	42	16	152	-	25	9,0	92	2,1	PHP 1SPZ180TB
		190	4	1610	194,0	14	42	16	161	-	25	9,0	92	2,7	PHP 1SPZ190TB
		200	4	2012	204,0	14	50	16	172	-	32	16,0	100	3,4	PHP 1SPZ200TB
		224	4	2012	228,0	14	50	16	196	-	32	16,0	100	3,6	PHP 1SPZ224TB
		250	4	2012	254,0	14	50	16	222	8,0	32	8,0	100	4,6	PHP 1SPZ250TB
		280	4	2012	284,0	14	50	16	252	8,0	32	8,0	100	5,5	PHP 1SPZ280TB
		315	4	2012	319,0	14	50	16	287	8,0	32	8,0	100	6,7	PHP 1SPZ315TB
		355	4	2012	359,0	14	50	16	326	8,0	32	8,0	112	6,8	PHP 1SPZ355TB
		400	4	2012	404,0	14	50	16	371	8,0	32	8,0	112	6,9	PHP 1SPZ400TB
		450	4	2517	454,0	16	60	16	421	14,5	45	14,5	120	7,2	PHP 1SPZ450TB
		SPZ	2	50	9	1008	54,0	9	25	49	28	25,0	22	-	-
56	9			1008	60,0	9	25	49	35	27,0	22	-	-	0,5	PHP 2SPZ56TB
60	9			1108	64,0	9	25	49	36	27,0	22	-	-	0,7	PHP 2SPZ60TB
63	6			1108	67,0	9	28	28	40	6,0	22	-	-	0,3	PHP 2SPZ63TB
67	6			1108	71,0	9	28	28	42	6,0	22	-	-	0,4	PHP 2SPZ67TB
71	6			1108	75,0	9	28	28	42	6,0	22	-	-	0,5	PHP 2SPZ71TB
75	6			1210	79,0	11	32	28	51	3,0	25	-	-	0,5	PHP 2SPZ75TB
80	6			1210	84,0	11	32	28	51	3,0	25	-	-	0,6	PHP 2SPZ80TB
85	6			1610	89,0	14	42	28	60	3,0	25	-	-	0,6	PHP 2SPZ85TB
90	6			1610	94,0	14	42	28	61	3,0	25	-	-	0,7	PHP 2SPZ90TB
95	6			1610	99,0	14	42	28	66	3,0	25	-	-	0,8	PHP 2SPZ95TB
100	6			1610	104,0	14	42	28	71	3,0	25	-	-	0,9	PHP 2SPZ100TB
106	6			1610	110,0	14	42	28	76	3,0	25	-	-	1,1	PHP 2SPZ106TB
112	6			1610	116,0	14	42	28	84	3,0	25	-	-	1,3	PHP 2SPZ112TB
118	6			1610	122,0	14	42	28	90	3,0	25	-	-	1,5	PHP 2SPZ118TB
125	6			1610	129,0	14	42	28	97	3,0	25	-	-	1,7	PHP 2SPZ125TB
132	6			1610	136,0	14	42	28	104	3,0	25	-	-	2,0	PHP 2SPZ132TB
140	6			1610	144,0	14	42	28	112	3,0	25	-	-	2,4	PHP 2SPZ140TB
150	1			2012	154,0	14	50	28	-	-	32	4,0	100	2,6	PHP 2SPZ150TB
160	1			2012	164,0	14	50	28	-	-	32	4,0	100	3,1	PHP 2SPZ160TB
170	1			2012	174,0	14	50	28	-	-	32	4,0	100	2,8	PHP 2SPZ170TB
180	8			2012	184,0	14	50	28	152	-	32	4,0	100	2,9	PHP 2SPZ180TB

<sup>1)</sup> Mass does not include bushings.  
Non-functional dimensions may vary slightly.

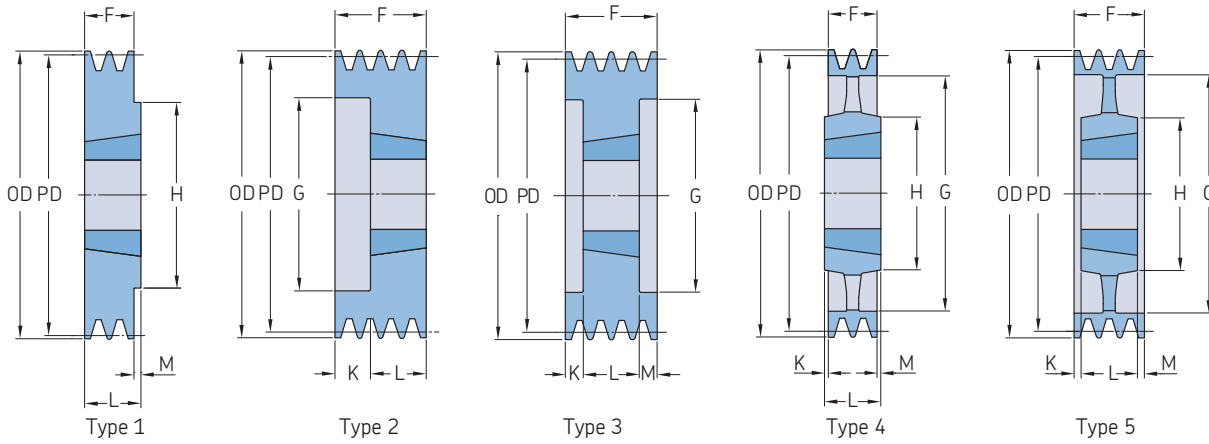
**Wedge belt pulleys**  
SPZ taper bushed



Section	Number of grooves	Pitch diameter PD	Pulley type	Bushing number	Dimensions			F	G	K	L	M	H	Mass <sup>1)</sup> kg	Designation		
					Outer diameter OD	B Min.	Max.										
-	-	mm	-	-	mm												
SPZ	2	190	8	2012	194,0	14	50	28	161	-	32	4,0	100	3,1	PHP 2SPZ190TB		
		200	4	2012	204,0	14	50	28	171	-	32	4,0	100	3,4	PHP 2SPZ200TB		
		224	4	2012	228,0	14	50	28	196	-	32	4,0	100	4,5	PHP 2SPZ224TB		
		250	4	2012	254,0	14	50	28	222	2,0	32	2,0	100	5,4	PHP 2SPZ250TB		
		280	4	2012	284,0	14	50	28	252	2,0	32	2,0	100	6,2	PHP 2SPZ280TB		
		315	4	2012	319,0	14	50	28	286	2,0	32	2,0	100	7,2	PHP 2SPZ315TB		
	SPZ	3	63	6	1108	67,0	9	28	40	40	18,0	22	-	-	0,4	PHP 3SPZ63TB	
			67	6	1108	71,0	9	28	40	42	18,0	22	-	-	0,5	PHP 3SPZ67TB	
			71	6	1108	75,0	9	28	40	42	18,0	22	-	-	0,6	PHP 3SPZ71TB	
			75	6	1210	79,0	11	32	40	48	15,0	25	-	-	0,7	PHP 3SPZ75TB	
			80	6	1210	84,0	11	32	40	51	15,0	25	-	-	0,7	PHP 3SPZ80TB	
			85	6	1610	89,0	14	42	40	60	15,0	25	-	-	0,8	PHP 3SPZ85TB	
		SPZ	4	90	6	1610	94,0	14	42	40	61	15,0	25	-	-	0,9	PHP 3SPZ90TB
				95	6	1610	99,0	14	42	40	66	15,0	25	-	-	1,0	PHP 3SPZ95TB
100				6	1610	104,0	14	42	40	71	15,0	25	-	-	1,1	PHP 3SPZ100TB	
106				6	1610	110,0	14	42	40	78	15,0	25	-	-	1,4	PHP 3SPZ106TB	
112				6	2012	116,0	14	50	40	84	8,0	32	-	-	1,4	PHP 3SPZ112TB	
118				6	2012	122,0	14	50	40	92	8,0	32	-	-	1,7	PHP 3SPZ118TB	
SPZ			5	125	2	2012	129,0	14	50	40	97	-	32	8,0	-	2,0	PHP 3SPZ125TB
				132	2	2012	136,0	14	50	40	104	-	32	8,0	-	2,3	PHP 3SPZ132TB
				140	2	2012	144,0	14	50	40	112	-	32	8,0	-	2,7	PHP 3SPZ140TB
				150	2	2012	154,0	14	50	40	122	-	32	8,0	-	3,3	PHP 3SPZ150TB
				160	2	2012	164,0	14	50	40	132	-	32	8,0	-	3,9	PHP 3SPZ160TB
				170	3	2012	174,0	14	50	40	141	4,0	32	4,0	-	3,2	PHP 3SPZ170TB
SPZ	6	180	7	2012	184,0	14	50	40	152	-	32	8,0	100	3,4	PHP 3SPZ180TB		
		190	7	2012	194,0	14	50	40	161	4,0	32	4,0	100	3,4	PHP 3SPZ190TB		
		200	5	2012	204,0	14	50	40	172	4,0	32	4,0	100	3,9	PHP 3SPZ200TB		
		224	5	2012	228,0	14	50	40	196	4,0	32	4,0	100	5,4	PHP 3SPZ224TB		
		250	5	2012	254,0	14	50	40	222	4,0	32	4,0	100	6,4	PHP 3SPZ250TB		
		280	4	2517	284,0	16	60	40	252	2,5	45	2,5	120	8,3	PHP 3SPZ280TB		
	SPZ	7	315	4	2517	319,0	16	60	40	287	2,5	45	2,5	120	10,1	PHP 3SPZ315TB	
			355	4	2517	359,0	16	60	40	326	2,5	45	2,5	120	11,7	PHP 3SPZ355TB	
			400	4	2517	404,0	16	60	40	371	2,5	45	2,5	120	13,3	PHP 3SPZ400TB	
			450	4	2517	454,0	16	60	40	421	2,5	45	2,5	120	14,6	PHP 3SPZ450TB	
			500	4	2517	504,0	16	60	40	471	2,5	45	2,5	120	15,8	PHP 3SPZ500TB	
			630	4	3020	634,0	25	75	40	601	5,5	45	2,5	120	17,0	PHP 3SPZ630TB	
SPZ	8	800	4	3020	804,0	25	75	40	771	5,5	51	2,5	150	33,0	PHP 3SPZ800TB		
		4	63	6	1108	67,0	9	28	52	38	30,0	22	-	-	0,5	PHP 4SPZ63TB	
			67	6	1108	71,0	9	28	52	41	30,0	22	-	-	0,6	PHP 4SPZ67TB	
			71	6	1108	75,0	9	28	52	45	30,0	22	-	-	0,7	PHP 4SPZ71TB	
			75	6	1210	79,0	11	32	52	46	27,0	25	-	-	0,8	PHP 4SPZ75TB	
			80	6	1210	84,0	11	32	52	51	27,0	25	-	-	0,9	PHP 4SPZ80TB	
	SPZ		6	85	6	1610	89,0	14	42	52	60	27,0	25	-	-	1,0	PHP 4SPZ85TB
		90		6	1610	94,0	14	42	52	61	27,0	25	-	-	1,1	PHP 4SPZ90TB	
		95		6	1610	99,0	14	42	52	66	27,0	25	-	-	1,3	PHP 4SPZ95TB	
		100		6	1610	104,0	14	42	52	72	27,0	25	-	-	1,4	PHP 4SPZ100TB	
		106		6	1610	110,0	14	42	52	80	27,0	25	-	-	1,6	PHP 4SPZ106TB	
		SPZ		6	112	6	2012	116,0	14	50	52	86	20,0	32	-	-	1,7
	118		6		2012	122,0	14	50	52	92	20,0	32	-	-	2,0	PHP 4SPZ118TB	
	125		2		2012	129,0	14	50	52	99	-	32	20,0	-	2,3	PHP 4SPZ125TB	

<sup>1)</sup> Mass does not include bushings.  
Non-functional dimensions may vary slightly.

**Wedge belt pulleys**  
SPZ taper bushed

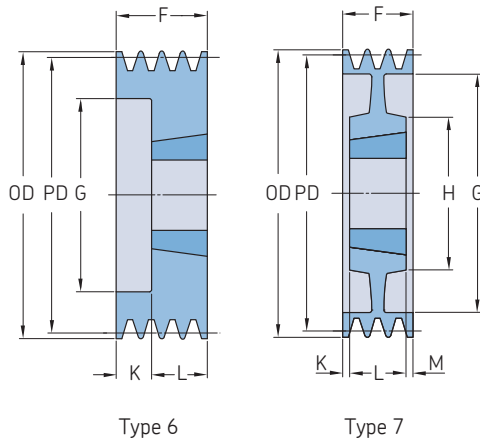


Section	Number of grooves	Pitch diameter PD	Pulley type	Bushing number	Dimensions									Mass <sup>1)</sup>	Designation			
					Outer diameter OD	B Min.	Max.	F	G	K	L	M	H					
		mm			mm									kg				
SPZ	4	132	2	2012	136,0	14	50	52	104	–	32	20,0	–	2,6	PHP 4SPZ132TB			
		140	2	2012	144,0	14	50	52	112	–	32	20,0	–	3,1	PHP 4SPZ140TB			
		150	2	2517	154,0	16	60	52	122	–	45	7,0	–	3,8	PHP 4SPZ150TB			
		160	2	2517	164,0	16	60	52	132	–	45	7,0	–	4,6	PHP 4SPZ160TB			
		170	2	2517	174,0	16	65	52	141	–	45	7,0	–	5,5	PHP 4SPZ170TB			
			180	2	2517	184,0	16	60	52	152	–	45	7,0	–	6,3	PHP 4SPZ180TB		
			190	3	2517	194,0	16	65	52	161	3,5	45	3,5	–	5,3	PHP 4SPZ190TB		
			200	7	2517	204,0	16	60	52	172	3,5	45	3,5	120	5,4	PHP 4SPZ200TB		
			5	224	5	2517	228,0	16	60	52	196	3,5	45	3,5	120	7,0	PHP 4SPZ224TB	
				250	5	2517	254,0	16	60	52	222	3,5	45	3,5	120	8,0	PHP 4SPZ250TB	
			5	280	5	2517	284,0	16	60	52	252	3,5	45	3,5	120	9,5	PHP 4SPZ280TB	
				315	5	2517	319,0	16	60	52	287	3,5	45	3,5	120	12,1	PHP 4SPZ315TB	
				355	5	2517	359,0	16	60	52	326	3,5	45	3,5	120	12,8	PHP 4SPZ355TB	
				400	5	2517	404,0	16	60	52	371	3,5	45	3,5	120	13,6	PHP 4SPZ400TB	
				450	5	3020	454,0	25	75	52	421	0,5	51	0,5	150	14,5	PHP 4SPZ450TB	
			5	500	5	3020	504,0	25	75	52	471	0,5	51	0,5	150	17,3	PHP 4SPZ500TB	
				630	4	3030	634,0	35	75	52	601	12,0	76	12,0	150	23,0	PHP 4SPZ630TB	
				800	4	3030	804,0	35	75	52	771	12,0	76	12,0	150	36,0	PHP 4SPZ800TB	
		SPZ	5	85	6	1610	89,0	14	42	64	60	39,0	25	–	–	1,3	PHP 5SPZ85TB	
				90	6	1610	94,0	14	42	64	61	39,0	25	–	–	1,3	PHP 5SPZ90TB	
	95			6	1610	99,0	14	42	64	66	39,0	25	–	–	1,5	PHP 5SPZ95TB		
	100			6	2012	104,0	14	50	64	72	32,0	32	–	–	1,6	PHP 5SPZ100TB		
106	6			2012	110,0	14	50	64	78	32,0	32	–	–	1,8	PHP 5SPZ106TB			
	6			112	6	2012	116,0	14	50	64	84	32,0	32	–	–	2,0	PHP 5SPZ112TB	
				118	6	2012	122,0	14	50	64	90	32,0	32	–	–	2,3	PHP 5SPZ118TB	
				125	6	2012	129,0	14	50	64	97	32,0	32	–	–	2,7	PHP 5SPZ125TB	
				132	6	2517	136,0	16	60	64	104	19,0	45	–	–	2,8	PHP 5SPZ132TB	
				140	2	2517	144,0	16	60	64	112	–	45	19,0	–	3,4	PHP 5SPZ140TB	
	2		150	2	2517	154,0	16	60	64	122	–	45	19,0	–	4,3	PHP 5SPZ150TB		
			160	2	2517	164,0	16	60	64	132	–	45	19,0	–	5,1	PHP 5SPZ160TB		
			170	2	2517	174,0	16	60	64	141	–	45	19,0	–	5,7	PHP 5SPZ170TB		
			180	2	2517	184,0	16	60	64	152	–	45	19,0	–	6,8	PHP 5SPZ180TB		
			190	3	2517	194,0	16	60	64	161	9,5	45	9,5	–	7,8	PHP 5SPZ190TB		
				5	200	5	2517	204,0	16	60	64	172	9,5	45	9,5	–	8,8	PHP 5SPZ200TB
					224	5	2517	228,0	16	60	64	196	9,5	45	9,5	120	8,8	PHP 5SPZ224TB
250	5				2517	254,0	16	60	64	222	9,5	45	9,5	120	9,0	PHP 5SPZ250TB		
	5		280	5	2517	284,0	16	60	64	252	9,5	45	9,5	120	11,0	PHP 5SPZ280TB		
			315	5	2517	319,0	16	60	64	287	9,5	45	9,5	120	13,3	PHP 5SPZ315TB		
	5		355	5	2517	359,0	16	60	64	326	9,5	45	9,5	120	13,0	PHP 5SPZ355TB		
			400	5	3020	404,0	25	75	64	371	6,5	51	6,5	150	15,6	PHP 5SPZ400TB		
		450	5	3020	454,0	25	75	64	421	6,5	51	6,5	150	19,0	PHP 5SPZ450TB			
		500	4	3030	504,0	35	75	64	471	6,0	51	6,0	150	22,6	PHP 5SPZ500TB			
		630	4	3030	634,0	35	75	64	601	6,0	51	6,0	150	29,0	PHP 5SPZ630TB			
			4	800	4	3535	804,0	35	90	64	771	12,5	89	12,5	170	44,1	PHP 5SPZ800TB	
		SPZ	6	85	6	1610	89,0	14	42	76	61	51,0	25	–	–	1,3	PHP 6SPZ85TB	
				90	6	1610	94,0	14	42	76	61	51,0	25	–	–	1,5	PHP 6SPZ90TB	
				95	6	1610	99,0	14	42	76	66	51,0	25	–	–	1,7	PHP 6SPZ95TB	
100	6			2012	104,0	14	50	76	72	44,0	32	–	–	1,9	PHP 6SPZ100TB			
106	6			2012	110,0	14	50	76	78	44,0	32	–	–	2,0	PHP 6SPZ106TB			
	6		112	6	2012	116,0	14	50	76	84	44,0	32	–	–	2,3	PHP 6SPZ112TB		
			118	6	2517	122,0	16	60	76	90	31,0	45	–	–	2,3	PHP 6SPZ118TB		
			125	6	2517	129,0	16	60	76	97	31,0	45	–	–	2,7	PHP 6SPZ125TB		
			132	6	2517	136,0	16	60	76	104	31,0	45	–	–	3,2	PHP 6SPZ132TB		

<sup>1)</sup> Mass does not include bushings.  
Non-functional dimensions may vary slightly.

## Wedge belt pulleys

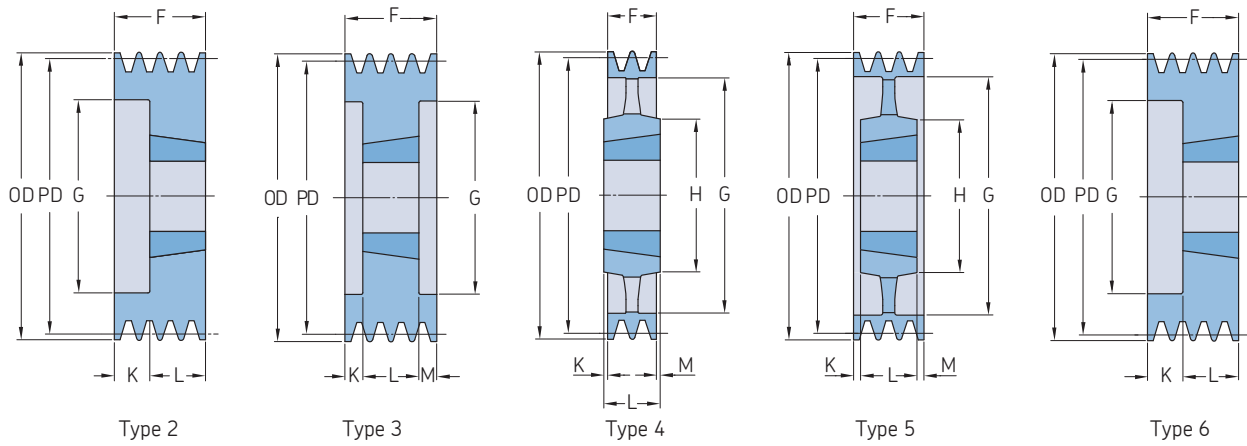
SPZ taper bushed | SPA taper bushed



Section	Number of grooves	Pitch diameter PD	Pulley type	Bushing number	Dimensions			F	G	K	L	M	H	Mass <sup>1)</sup> kg	Designation		
					Outer diameter OD	B Min.	Max.										
		mm	-	-	mm												
SPZ	6	140	2	2517	144,0	16	60	76	112	-	45	31,0	-	3,8	PHP 6SPZ140TB		
		150	2	2517	154,0	16	60	76	122	-	45	31,0	-	4,6	PHP 6SPZ150TB		
		160	2	2517	164,0	16	60	76	132	-	45	31,0	-	5,5	PHP 6SPZ160TB		
		170	2	2517	174,0	16	65	76	141	-	45	31,0	-	6,5	PHP 6SPZ170TB		
		180	3	2517	184,0	16	60	76	152	15,5	45	15,5	-	7,3	PHP 6SPZ180TB		
		190	3	2517	194,0	16	65	76	161	15,5	45	15,5	120	8,4	PHP 6SPZ190TB		
		200	3	2517	204,0	16	60	76	172	15,5	45	15,5	120	9,4	PHP 6SPZ200TB		
		224	5	2517	228,0	16	60	76	196	15,5	45	15,5	120	9,7	PHP 6SPZ224TB		
		250	5	2517	254,0	16	60	76	222	15,5	45	15,5	120	11,8	PHP 6SPZ250TB		
		280	5	2517	284,0	16	60	76	252	15,5	45	15,5	120	12,8	PHP 6SPZ280TB		
		315	5	2517	319,0	16	60	76	287	15,5	45	15,5	120	13,8	PHP 6SPZ315TB		
		355	5	2517	359,0	16	60	76	326	15,5	45	15,5	125	15,0	PHP 6SPZ355TB		
		400	5	3020	404,0	25	75	76	371	-	76	-	150	18,3	PHP 6SPZ400TB		
		450	5	3020	454,0	25	75	76	421	-	76	-	150	21,5	PHP 6SPZ450TB		
		500	5	3020	504,0	25	75	76	471	-	76	-	150	24,6	PHP 6SPZ500TB		
		630	4	3535	634,0	35	90	76	601	6,5	89	6,5	170	35,0	PHP 6SPZ630TB		
		800	4	3535	804,0	35	90	76	771	6,5	89	6,5	170	57,9	PHP 6SPZ800TB		
		SPZ	8	140	3	2517	144,0	16	60	100	112	27,5	45	27,5	-	4,0	PHP 8SPZ140TB
				150	3	2517	154,0	16	60	100	122	27,5	45	27,5	-	5,1	PHP 8SPZ150TB
160	3			2517	164,0	16	60	100	132	27,5	45	27,5	-	5,6	PHP 8SPZ160TB		
180	3			2517	184,0	16	60	100	152	27,5	45	27,5	-	7,1	PHP 8SPZ180TB		
200	3			3020	204,0	25	75	100	171	24,5	51	24,5	-	9,3	PHP 8SPZ200TB		
224	3			3020	228,0	25	75	100	195	24,5	51	24,5	-	11,8	PHP 8SPZ224TB		
250	5			3020	254,0	25	75	100	221	24,5	51	24,5	150	10,5	PHP 8SPZ250TB		
280	5			3020	284,0	25	75	100	252	24,5	51	24,5	150	10,8	PHP 8SPZ280TB		
355	5			3030	359,0	35	75	100	326	12,0	76	12,0	150	16,0	PHP 8SPZ355TB		
400	5			3030	404,0	35	75	100	371	12,0	76	12,0	150	18,2	PHP 8SPZ400TB		
450	5			3535	454,0	35	90	100	421	5,5	89	5,5	170	24,0	PHP 8SPZ450TB		
SPA	1	63	1	1108	68,5	9	25	20	-	-	22	2,0	62	0,8	PHP 1SPA63TB		
		67	1	1108	72,5	9	28	20	-	-	22	2,0	62	0,5	PHP 1SPA67TB		
		71	1	1108	76,5	9	28	20	-	-	22	2,0	62	0,5	PHP 1SPA71TB		
		75	1	1108	80,5	9	28	22	-	-	22	2,0	62	0,4	PHP 1SPA75TB		
		80	1	1210	85,5	11	32	20	-	-	25	5,0	75	0,5	PHP 1SPA80TB		
		85	1	1210	90,5	11	32	20	-	-	25	5,0	75	0,6	PHP 1SPA85TB		
		90	1	1210	95,5	11	32	20	-	-	25	5,0	75	0,7	PHP 1SPA90TB		
		95	1	1210	100,5	11	32	20	-	-	25	5,0	75	0,9	PHP 1SPA95TB		
		100	1	1610	105,5	14	42	20	-	-	25	5,0	80	0,8	PHP 1SPA100TB		
		106	1	1610	111,5	14	42	20	-	-	25	5,0	80	0,9	PHP 1SPA106TB		
		112	1	1610	117,5	14	42	20	-	-	25	5,0	80	1,1	PHP 1SPA112TB		
		118	1	1610	123,5	14	42	20	-	-	25	5,0	80	1,2	PHP 1SPA118TB		
		125	1	1610	130,5	14	42	20	-	-	25	5,0	80	1,4	PHP 1SPA125TB		
		132	1	1610	137,5	14	42	20	-	-	25	5,0	80	1,6	PHP 1SPA132TB		
		140	1	1610	145,5	14	42	20	-	-	25	5,0	80	1,8	PHP 1SPA140TB		
		150	1	1610	155,5	14	42	20	-	-	25	5,0	80	2,1	PHP 1SPA150TB		
		160	1	1610	165,5	14	42	20	-	-	25	5,0	80	2,4	PHP 1SPA160TB		
		170	1	1610	175,5	14	42	20	-	-	25	5,0	80	1,1	PHP 1SPA170TB		
		180	4	1610	185,5	14	42	20	145	-	25	5,0	92	2,3	PHP 1SPA180TB		
		190	4	1610	195,5	14	42	20	156	-	25	5,0	92	2,7	PHP 1SPA190TB		
200	4	2012	205,5	14	50	20	165	-	32	12,0	108	2,3	PHP 1SPA200TB				
212	4	2012	217,5	14	50	20	177	-	32	12,0	110	3,5	PHP 1SPA212TB				
224	4	2012	229,5	14	50	20	189	-	32	12,0	112	4,0	PHP 1SPA224TB				
250	4	2012	255,5	14	50	20	215	6,0	32	6,0	112	4,8	PHP 1SPA250TB				
280	4	2012	285,5	14	50	20	245	-	32	12,0	112	6,3	PHP 1SPA280TB				

<sup>1)</sup> Mass does not include bushings.  
Non-functional dimensions may vary slightly.

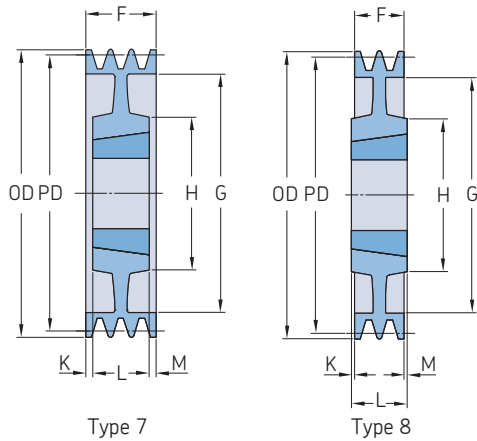
**Wedge belt pulleys**  
SPA taper bushed



Section	Number of grooves	Pitch diameter PD	Pulley type	Bushing number	Dimensions									Mass <sup>1)</sup>	Designation	
					Outer diameter OD	B Min.	Max.	F	G	K	L	M	H			
mm															kg	-
SPA	1	315	4	2012	320,5	14	50	20	280	-	32	12,0	112	7,2	PHP 1SPA315TB	
		355	4	2012	360,5	14	50	20	320	-	32	12,0	112	7,6	PHP 1SPA355TB	
		400	4	2012	405,5	14	50	20	365	-	32	12,0	112	7,9	PHP 1SPA400TB	
		450	4	2012	455,5	16	60	20	415	-	32	12,0	112	8,4	PHP 1SPA450TB	
		500	4	2517	505,5	16	60	20	465	-	45	12,0	112	9,4	PHP 1SPA500TB	
		630	4	2517	635,5	16	60	20	595	-	45	12,0	112	13,1	PHP 1SPA630TB	
	SPA	2	63	6	1008	68,5	9	28	35	33	13,0	22	-	-	0,6	PHP 2SPA63TB
			67	6	1108	72,5	9	28	35	37	13,0	22	-	-	0,4	PHP 2SPA67TB
			71	6	1108	76,5	9	28	35	40	13,0	22	-	-	0,5	PHP 2SPA71TB
			75	6	1108	80,5	9	28	35	44	13,0	25	-	-	0,7	PHP 2SPA75TB
80			6	1210	85,5	11	32	35	47	10,0	25	-	-	0,6	PHP 2SPA80TB	
85			6	1210	90,5	11	32	35	50	10,0	25	-	-	0,7	PHP 2SPA85TB	
90			6	1610	95,5	14	42	35	60	10,0	25	-	-	0,7	PHP 2SPA90TB	
95			6	1610	100,5	14	42	35	64	10,0	25	-	-	0,9	PHP 2SPA95TB	
100			6	1610	105,5	14	42	35	70	10,0	25	-	-	1,1	PHP 2SPA100TB	
106			6	1610	111,5	14	42	35	76	10,0	25	-	-	1,2	PHP 2SPA106TB	
112			6	1610	117,5	14	42	35	80	10,0	25	-	-	1,4	PHP 2SPA112TB	
118			6	1610	123,5	14	42	35	86	10,0	25	-	-	1,6	PHP 2SPA118TB	
125			6	1610	130,5	14	42	35	90	10,0	25	-	-	1,9	PHP 2SPA125TB	
132			6	2012	137,5	14	50	35	98	3,0	32	-	-	2,1	PHP 2SPA132TB	
140			6	2012	145,5	14	50	35	106	3,0	32	-	-	2,6	PHP 2SPA140TB	
150			6	2012	155,5	14	50	35	116	3,0	32	-	-	3,2	PHP 2SPA150TB	
160			6	2012	165,5	14	50	35	125	3,0	32	-	-	3,8	PHP 2SPA160TB	
170			6	2012	175,5	14	50	35	135	3,0	32	-	-	4,5	PHP 2SPA170TB	
180			7	2012	185,5	14	50	35	148	2,0	32	2,0	100	5,2	PHP 2SPA180TB	
190			7	2012	195,5	14	50	35	158	2,0	32	2,0	100	4,4	PHP 2SPA190TB	
200			8	2517	205,5	16	60	35	165	5,0	45	5,0	120	4,9	PHP 2SPA200TB	
212			4	2517	217,5	16	65	35	177	5,0	45	5,0	120	5,8	PHP 2SPA212TB	
224			4	2517	229,5	16	60	35	189	-	45	10,0	120	6,6	PHP 2SPA224TB	
250			4	2517	255,5	16	60	35	215	5,0	45	5,0	120	6,8	PHP 2SPA250TB	
280			4	2517	285,5	16	60	35	245	-	45	10,0	120	8,3	PHP 2SPA280TB	
315	4	2517	320,5	16	60	35	280	-	45	10,0	120	10,2	PHP 2SPA315TB			
355	4	2517	360,5	16	60	35	320	-	45	10,0	120	10,5	PHP 2SPA355TB			
400	4	2517	405,5	16	60	35	365	-	45	10,0	120	11,3	PHP 2SPA400TB			
450	4	2517	455,5	16	60	35	465	-	45	10,0	120	15,0	PHP 2SPA450TB			
500	4	2517	505,5	16	60	35	525	-	51	16,0	150	18,7	PHP 2SPA500TB			
	630	4	3020	635,5	25	75	35	595	8,0	51	8,0	150	22,0	PHP 2SPA630TB		
SPA	3	71	6	1108	76,5	9	28	50	40	28,0	22	-	-	0,7	PHP 3SPA71TB	
		75	6	1108	80,5	9	28	50	44	28,0	25	-	-	0,8	PHP 3SPA75TB	
		80	6	1210	85,5	11	32	50	47	25,0	25	-	-	0,9	PHP 3SPA80TB	
		85	6	1210	90,5	11	32	50	50	25,0	25	-	-	1,0	PHP 3SPA85TB	
		90	6	1610	95,5	14	42	50	60	25,0	25	-	-	1,0	PHP 3SPA90TB	
		95	6	1610	100,5	14	42	50	64	25,0	25	-	-	1,2	PHP 3SPA95TB	
		100	2	1610	105,5	14	42	50	70	-	25	25,0	-	1,3	PHP 3SPA100TB	
		106	2	1610	111,5	14	42	50	76	-	25	25,0	-	1,6	PHP 3SPA106TB	
		112	6	2012	117,5	14	50	50	83	18,0	32	-	-	1,6	PHP 3SPA112TB	
		118	2	2012	123,5	14	50	50	86	-	32	18,0	-	1,9	PHP 3SPA118TB	
		125	2	2012	130,5	14	50	50	92	-	32	18,0	-	2,3	PHP 3SPA125TB	
		132	2	2012	137,5	14	50	50	98	-	32	18,0	-	2,6	PHP 3SPA132TB	
		140	6	2517	145,5	16	60	50	106	5,0	45	-	-	2,9	PHP 3SPA140TB	
		150	6	2517	155,5	16	60	50	116	5,0	45	-	-	3,7	PHP 3SPA150TB	
		160	6	2517	165,5	16	60	50	126	5,0	45	-	-	4,5	PHP 3SPA160TB	

<sup>1)</sup> Mass does not include bushings.  
Non-functional dimensions may vary slightly.

**Wedge belt pulleys**  
SPA taper bushed

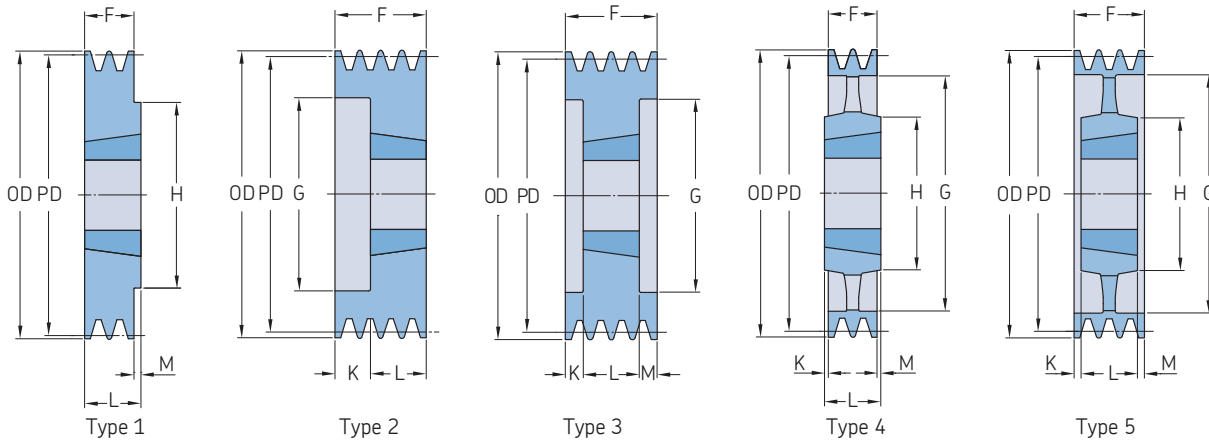


Section	Number of grooves	Pitch diameter PD	Pulley type	Bushing number	Dimensions									Mass <sup>1)</sup> kg	Designation	
					Outer diameter OD	B Min. Max.	F	G	K	L	M	H				
		mm	-	-	mm									kg	-	
SPA	3	170	6	2517	175,5	16	60	50	138	5,0	45	-	-	5,0	PHP 3SPA170TB	
		180	6	2517	185,5	16	60	50	146	5,0	45	-	-	6,2	PHP 3SPA180TB	
		190	6	2517	195,5	16	60	50	158	5,0	45	-	-	7,0	PHP 3SPA190TB	
		200	7	2517	205,5	16	60	50	165	2,5	45	2,5	120	5,6	PHP 3SPA200TB	
		212	5	2517	217,5	16	60	60	50	177	2,5	45	2,5	120	6,6	PHP 3SPA212TB
		224	5	2517	229,5	16	60	50	50	189	2,5	45	2,5	120	7,5	PHP 3SPA224TB
		250	5	2517	255,5	16	60	50	50	215	2,5	45	2,5	120	8,6	PHP 3SPA250TB
		280	5	2517	285,5	16	60	50	50	245	2,5	45	2,5	120	10,0	PHP 3SPA280TB
		315	4	3020	320,5	25	75	50	50	280	0,5	51	0,5	160	12,8	PHP 3SPA315TB
		355	4	3020	360,5	25	75	50	50	320	0,5	51	0,5	150	13,4	PHP 3SPA355TB
		400	4	3020	405,5	25	75	50	50	365	-	51	1,0	150	15,9	PHP 3SPA400TB
		450	4	3020	455,5	25	75	50	50	415	-	51	1,0	150	19,3	PHP 3SPA450TB
		500	4	3020	505,5	25	75	50	50	465	-	51	1,0	150	22,6	PHP 3SPA500TB
		560	4	3020	565,5	25	75	50	50	525	-	51	1,0	150	23,5	PHP 3SPA560TB
		630	4	3020	635,5	25	75	50	50	595	-	51	1,0	150	27,5	PHP 3SPA630TB
		800	4	3535	805,5	35	90	50	50	765	19,5	89	19,5	170	40,8	PHP 3SPA800TB
1 000	4	3535	1 005,5	35	90	50	50	965	19,5	89	19,5	178	50,0	PHP 3SPA1000TB		
SPA	4	90	6	1615	95,5	14	42	65	64	27,0	38	-	-	1,2	PHP 4SPA90TB	
		95	6	1615	100,5	14	42	65	64	27,0	38	-	-	1,4	PHP 4SPA95TB	
		100	2	1615	105,5	14	42	65	70	-	38	27,0	-	1,6	PHP 4SPA100TB	
		106	6	2012	111,5	14	50	65	76	33,0	32	-	-	1,7	PHP 4SPA106TB	
		112	6	2012	117,5	14	50	65	80	33,0	32	-	-	2,0	PHP 4SPA112TB	
		118	2	2012	123,5	14	50	65	86	-	32	33,0	-	2,3	PHP 4SPA118TB	
		125	2	2012	130,5	14	50	65	92	-	32	33,0	-	2,7	PHP 4SPA125TB	
		132	2	2517	137,5	16	60	65	98	-	45	20,0	-	2,9	PHP 4SPA132TB	
		140	2	2517	145,5	16	60	65	106	-	45	20,0	-	3,5	PHP 4SPA140TB	
		150	2	2517	155,5	16	60	65	116	-	45	20,0	-	4,2	PHP 4SPA150TB	
		160	2	2517	165,5	16	60	65	126	-	45	20,0	-	5,1	PHP 4SPA160TB	
		170	2	2517	175,5	16	60	65	138	-	45	20,0	-	6,0	PHP 4SPA170TB	
		180	2	2517	185,5	16	60	65	146	-	45	20,0	-	6,9	PHP 4SPA180TB	
		190	2	2517	195,5	25	60	65	158	-	45	20,0	-	7,2	PHP 4SPA190TB	
		200	2	3020	205,5	25	75	65	165	-	51	14,0	-	8,4	PHP 4SPA200TB	
		212	2	3020	217,5	25	75	65	177	-	51	14,0	-	9,9	PHP 4SPA212TB	
		224	2	3020	229,5	25	75	65	189	-	51	14,0	-	11,4	PHP 4SPA224TB	
		250	5	3020	255,5	25	75	65	215	7,0	51	7,0	150	10,5	PHP 4SPA250TB	
		280	5	3020	285,5	25	75	65	245	7,0	51	7,0	150	11,6	PHP 4SPA280TB	
		315	5	3020	320,5	25	75	65	280	7,0	51	7,0	150	13,8	PHP 4SPA315TB	
355	5	3020	360,5	25	75	65	320	7,0	51	7,0	150	15,8	PHP 4SPA355TB			
400	5	3020	405,5	25	75	65	365	7,0	51	7,0	150	17,7	PHP 4SPA400TB			
450	5	3020	455,5	25	75	65	415	7,0	51	7,0	150	23,2	PHP 4SPA450TB			
500	5	3020	505,5	25	75	65	465	7,0	51	7,0	150	27,4	PHP 4SPA500TB			
560	4	3535	565,5	35	90	65	525	12,0	89	12,0	170	30,5	PHP 4SPA560TB			
630	4	4545	635,5	35	90	65	595	12,0	89	12,0	170	34,1	PHP 4SPA630TB			
800	4	3535	805,5	35	90	65	765	12,0	89	12,0	170	50,8	PHP 4SPA800TB			
1 000	4	4040	1 005,5	40	100	65	965	18,5	102	18,5	216	62,0	PHP 4SPA1000TB			
SPA	5	100	2	1615	105,5	14	42	80	70	-	38	42,0	-	1,9	PHP 5SPA100TB	
		106	6	2012	111,5	14	50	80	76	48,0	32	-	-	2,1	PHP 5SPA106TB	
		112	6	2012	117,5	14	50	80	80	48,0	32	-	-	2,4	PHP 5SPA112TB	
		118	2	2012	123,5	14	50	80	86	-	32	48,0	-	2,7	PHP 5SPA118TB	
		125	3	2012	130,5	14	50	80	92	24,0	32	24,0	-	3,1	PHP 5SPA125TB	
		132	3	2517	137,5	16	60	80	98	17,5	45	17,5	-	3,2	PHP 5SPA132TB	
		140	3	2517	145,5	16	60	80	106	17,5	45	17,5	-	3,9	PHP 5SPA140TB	
		150	3	2517	155,5	16	60	80	116	17,5	45	17,5	-	4,7	PHP 5SPA150TB	

<sup>1)</sup> Mass does not include bushings.  
Non-functional dimensions may vary slightly.

# Wedge belt pulleys

SPA taper bushed | SPB taper bushed

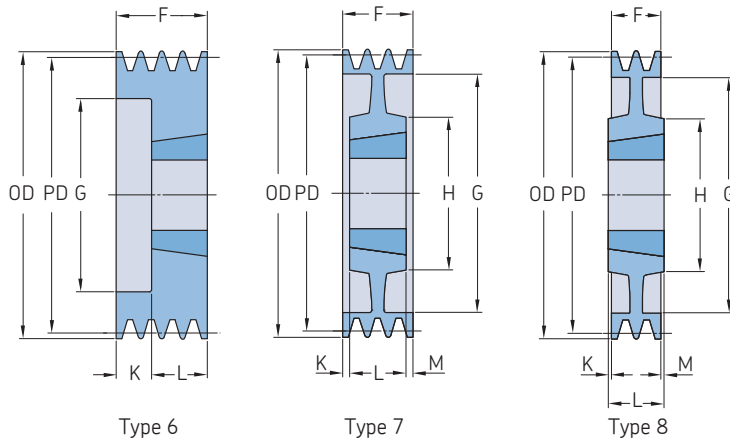


Section	Number of grooves	Pitch diameter PD	Pulley type	Bushing number	Dimensions									Mass <sup>1)</sup>	Designation
					Outer diameter OD	B Min.	Max.	F	G	K	L	M	H		
					mm									kg	-
SPA	5	160	3	2517	165,5	16	60	80	126	17,5	45	17,5	-	5,6	PHP 5SPA160TB
		170	3	2517	175,5	16	60	80	146	17,5	45	17,5	-	6,2	PHP 5SPA170TB
		180	3	3020	185,5	25	75	80	165	14,5	51	14,5	-	6,8	PHP 5SPA180TB
		190	2	3020	195,5	25	75	80	189	-	51	29,0	-	7,4	PHP 5SPA190TB
		200	3	3020	205,5	25	75	80	215	14,5	51	14,5	-	9,1	PHP 5SPA200TB
		212	2	3020	217,5	25	75	80	245	-	51	29,0	-	10,7	PHP 5SPA212TB
	224	2	3020	229,5	25	75	80	280	-	51	29,0	-	12,3	PHP 5SPA224TB	
	250	7	3020	255,5	25	75	80	215	14,5	51	14,5	150	11,7	PHP 5SPA250TB	
	280	4	3535	285,5	35	90	80	245	4,5	89	4,5	170	17,4	PHP 5SPA280TB	
	315	4	3535	320,5	35	90	80	280	4,5	89	4,5	170	20,0	PHP 5SPA315TB	
	355	4	3535	360,5	35	90	80	320	4,5	89	4,5	170	22,8	PHP 5SPA355TB	
	400	4	3535	405,5	35	90	80	365	4,5	89	4,5	170	24,8	PHP 5SPA400TB	
	450	4	3535	455,5	35	90	80	415	4,5	89	4,5	170	28,5	PHP 5SPA450TB	
	500	4	3535	505,5	35	90	80	465	4,5	89	4,5	170	31,7	PHP 5SPA500TB	
	560	4	3535	565,5	35	90	80	525	4,5	89	4,5	170	35,0	PHP 5SPA560TB	
	630	4	3535	635,5	35	90	80	595	4,5	89	4,5	170	42,0	PHP 5SPA630TB	
	800	4	4040	805,5	40	100	80	765	11,0	102	11,0	216	60,0	PHP 5SPA800TB	
	1 000	4	4545	1 005,5	55	120	80	965	17,0	114	17,0	225	70,0	PHP 5SPA1000TB	
SPA	6	100	3	1610	105,5	14	42	95	70	30,0	38	40,0	-	2,2	PHP 6SPA100TB
		106	6	2012	111,5	14	50	95	76	63,0	32	-	-	2,5	PHP 6SPA106TB
		112	6	2012	117,5	14	50	95	80	63,0	32	-	-	2,8	PHP 6SPA112TB
		118	6	2012	123,5	14	50	95	86	63,0	32	-	-	3,1	PHP 6SPA118TB
		125	3	2012	130,5	14	50	95	92	31,5	32	31,5	-	3,7	PHP 6SPA125TB
		132	3	2517	137,5	16	60	95	98	25,0	45	25,0	-	3,6	PHP 6SPA132TB
	140	3	2517	145,5	16	60	95	106	25,0	45	25,0	-	4,5	PHP 6SPA140TB	
	150	3	2517	155,5	16	60	95	116	25,0	45	25,0	-	5,3	PHP 6SPA150TB	
	160	3	2517	165,5	16	60	95	126	25,0	45	25,0	-	6,3	PHP 6SPA160TB	
	170	3	3020	175,5	25	75	95	135	22,0	51	22,0	-	6,3	PHP 6SPA170TB	
	180	3	3020	185,5	25	75	95	146	22,0	51	22,0	-	7,5	PHP 6SPA180TB	
	190	3	3020	195,5	25	75	95	155	22,0	51	22,0	-	8,6	PHP 6SPA190TB	
	200	3	3020	205,5	25	75	95	165	22,0	51	22,0	-	9,9	PHP 6SPA200TB	
	212	3	3020	217,5	25	75	95	177	22,0	51	22,0	-	11,6	PHP 6SPA212TB	
	224	3	3020	229,5	25	75	95	189	22,0	51	22,0	-	13,2	PHP 6SPA224TB	
	250	7	3020	255,5	25	75	95	215	22,0	51	22,0	150	12,5	PHP 6SPA250TB	
	280	5	3535	285,5	35	90	95	245	3,0	89	3,0	170	19,0	PHP 6SPA280TB	
	315	5	3535	320,5	35	90	95	280	3,0	89	3,0	170	21,1	PHP 6SPA315TB	
	355	5	3535	360,5	35	90	95	320	3,0	89	3,0	170	23,5	PHP 6SPA355TB	
	400	5	3535	405,5	35	90	95	365	3,0	89	3,0	170	26,0	PHP 6SPA400TB	
	450	5	3535	455,5	35	90	95	415	3,0	89	3,0	170	30,0	PHP 6SPA450TB	
500	5	3535	505,5	35	90	95	465	3,0	89	3,0	170	34,0	PHP 6SPA500TB		
560	5	3535	565,5	35	90	95	525	3,0	89	3,0	170	39,0	PHP 6SPA560TB		
630	4	4040	635,5	40	100	95	595	3,5	102	3,5	216	53,5	PHP 6SPA630TB		
800	4	4040	805,5	40	100	95	765	3,5	102	3,5	216	70,0	PHP 6SPA800TB		
1 000	4	4545	1 005,5	55	120	95	965	9,5	114	9,5	225	85,5	PHP 6SPA1000TB		
SPB	1	100	1	1610	107,0	14	42	25	-	-	25	-	-	0,8	PHP 1SPB100TB
		106	1	1610	113,0	14	42	25	-	-	25	-	-	1,0	PHP 1SPB106TB
		112	1	1610	119,0	14	42	25	-	-	25	-	-	1,2	PHP 1SPB112TB
		118	1	1610	125,0	14	42	25	-	-	25	-	-	1,5	PHP 1SPB118TB
		125	1	1610	132,0	14	42	25	-	-	25	-	-	1,5	PHP 1SPB125TB
		132	1	1610	139,0	14	42	25	-	-	25	-	-	1,8	PHP 1SPB132TB
	140	1	1610	147,0	14	42	25	-	-	25	-	-	2,1	PHP 1SPB140TB	
	150	1	1610	157,0	14	42	25	-	-	25	-	-	2,5	PHP 1SPB150TB	
	160	1	1610	167,0	14	42	25	-	-	25	-	-	2,9	PHP 1SPB160TB	

<sup>1)</sup> Mass does not include bushings.  
Non-functional dimensions may vary slightly.



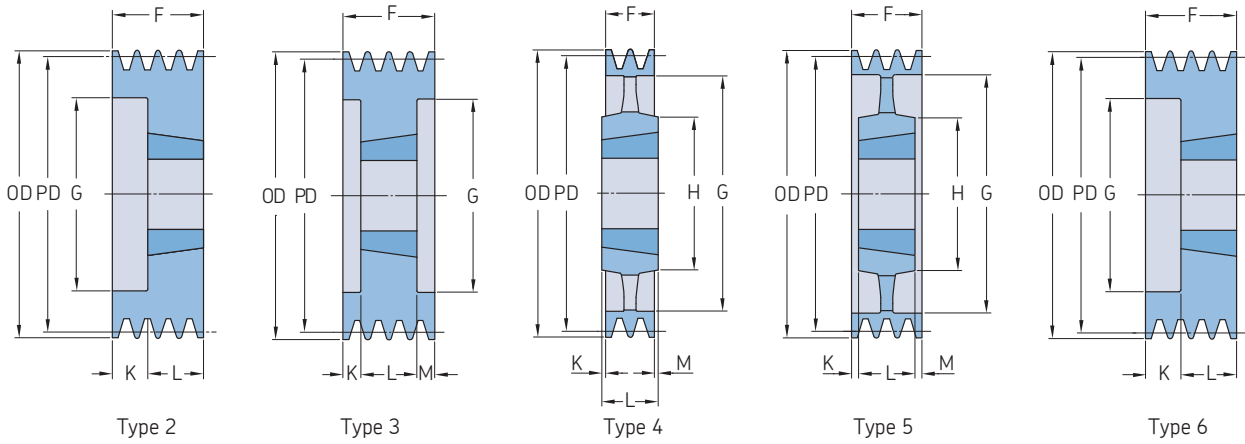
**Wedge belt pulleys**  
SPB taper bushed



Section	Number of grooves	Pitch diameter PD	Pulley type	Bushing number	Dimensions			F	G	K	L	M	H	Mass <sup>1)</sup> kg	Designation
					Outer diameter OD	B Min.	Max.								
SPB	1	170	1	1610	177,0	14	42	25	-	-	25	-	-	3,0	PHP 1SPB170TB
		180	7	1610	187,0	14	42	25	137	-	25	-	80	3,8	PHP 1SPB180TB
		190	8	2012	197,0	14	50	25	147	3,5	32	3,5	100	4,4	PHP 1SPB190TB
		200	4	2012	207,0	14	50	25	157	3,5	32	3,5	104	4,0	PHP 1SPB200TB
		212	4	2012	219,0	14	50	25	169	3,5	32	3,5	104	5,2	PHP 1SPB212TB
		224	4	2012	231,0	14	50	25	181	3,5	32	3,5	104	5,2	PHP 1SPB224TB
		236	4	2012	243,0	14	50	25	193	3,5	32	3,5	104	5,4	PHP 1SPB236TB
		250	4	2012	257,0	14	50	25	207	3,5	32	3,5	104	6,2	PHP 1SPB250TB
		280	4	2012	287,0	14	50	25	237	3,5	32	3,5	104	6,5	PHP 1SPB280TB
		300	4	2012	307,0	14	50	25	258	3,5	32	3,5	104	7,0	PHP 1SPB300TB
		315	4	2012	322,0	14	50	25	272	3,5	32	3,5	100	7,5	PHP 1SPB315TB
		335	4	2517	342,0	16	60	25	288	10,0	45	10,0	125	8,5	PHP 1SPB335TB
		355	4	3020	362,0	25	75	25	312	13,0	51	13,0	146	9,5	PHP 1SPB355TB
		400	4	3020	407,0	25	75	25	357	13,0	51	13,0	146	11,0	PHP 1SPB400TB
		450	4	3020	457,0	25	75	25	407	13,0	51	13,0	150	12,3	PHP 1SPB450TB
		500	4	3020	507,0	25	75	25	457	13,0	51	13,0	150	14,6	PHP 1SPB500TB
		560	4	3020	567,0	25	75	25	517	13,0	51	13,0	150	18,5	PHP 1SPB560TB
		630	4	3020	637,0	25	75	25	587	13,0	51	13,0	150	20,5	PHP 1SPB630TB
SPB	2	100	6	1610	107,0	14	42	44	62	19,0	25	-	-	1,3	PHP 2SPB100TB
		106	6	1610	113,0	14	42	44	67	19,0	25	-	-	1,5	PHP 2SPB106TB
		112	6	1610	119,0	14	42	44	72	19,0	25	-	-	1,5	PHP 2SPB112TB
		118	2	1610	125,0	14	42	44	78	-	25	19,0	-	1,7	PHP 2SPB118TB
		125	2	2012	132,0	14	50	44	82	-	32	12,0	-	2,0	PHP 2SPB125TB
		132	2	2012	139,0	14	50	44	89	-	32	12,0	-	2,4	PHP 2SPB132TB
		140	2	2012	147,0	14	50	44	97	-	32	12,0	-	2,8	PHP 2SPB140TB
		150	2	2012	157,0	14	50	44	107	-	32	12,0	-	3,3	PHP 2SPB150TB
		160	2	2012	167,0	14	50	44	117	-	32	12,0	-	4,0	PHP 2SPB160TB
		170	2	2012	177,0	14	50	44	127	-	32	12,0	-	4,4	PHP 2SPB170TB
		180	1	2517	187,0	16	60	44	-	-	45	1,0	120	5,5	PHP 2SPB180TB
		190	1	2517	197,0	16	60	44	-	-	45	1,0	120	6,5	PHP 2SPB190TB
		200	1	2517	207,0	16	60	44	-	-	45	1,0	120	7,5	PHP 2SPB200TB
		212	8	2517	219,0	16	60	44	169	-	45	1,0	120	7,0	PHP 2SPB212TB
		224	4	2517	231,0	16	60	44	181	-	45	1,0	120	7,7	PHP 2SPB224TB
		236	4	2517	243,0	16	60	44	193	-	45	1,0	120	8,3	PHP 2SPB236TB
		250	4	2517	257,0	16	60	44	207	-	45	1,0	120	8,6	PHP 2SPB250TB
		280	4	2517	287,0	16	60	44	237	-	45	1,0	120	10,1	PHP 2SPB280TB
		300	4	2517	307,0	16	60	44	257	-	45	1,0	120	11,0	PHP 2SPB300TB
		315	4	2517	322,0	16	60	44	272	-	45	1,0	120	12,2	PHP 2SPB315TB
		335	4	2517	342,0	16	60	44	292	-	45	1,0	120	14,0	PHP 2SPB335TB
		355	4	3020	362,0	25	75	44	312	3,5	51	3,5	120	15,9	PHP 2SPB355TB
		400	4	3020	407,0	25	75	44	357	3,5	51	3,5	150	18,3	PHP 2SPB400TB
		450	4	3020	457,0	25	75	44	407	3,5	51	3,5	150	16,3	PHP 2SPB450TB
		500	4	3020	507,0	25	75	44	457	3,5	51	3,5	150	18,6	PHP 2SPB500TB
		560	4	3030	567,0	35	75	44	517	4,0	76	28,0	150	22,5	PHP 2SPB560TB
		630	4	3030	637,0	35	75	44	587	16,0	76	-	150	25,5	PHP 2SPB630TB
SPB	3	100	6	1610	107,0	14	42	63	62	38,0	25	-	-	0,9	PHP 3SPB100TB
		106	6	1610	113,0	14	42	63	67	38,0	25	-	-	2,0	PHP 3SPB106TB
		112	6	1610	119,0	14	42	63	72	38,0	25	-	-	2,0	PHP 3SPB112TB
		118	2	1610	125,0	14	42	63	78	-	25	38,0	-	2,3	PHP 3SPB118TB
		125	2	2012	132,0	14	50	63	82	-	32	31,0	-	2,5	PHP 3SPB125TB
		132	2	2012	139,0	14	50	63	89	-	32	31,0	-	3,1	PHP 3SPB132TB
		140	2	2012	147,0	14	50	63	97	-	32	31,0	-	3,5	PHP 3SPB140TB
		150	2	2517	157,0	16	60	63	107	-	45	18,0	-	4,0	PHP 3SPB150TB

<sup>1)</sup> Mass does not include bushings.  
Non-functional dimensions may vary slightly.

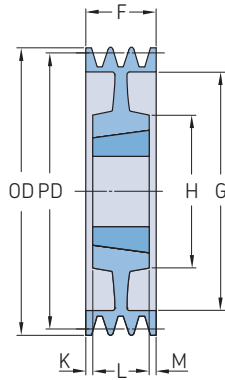
**Wedge belt pulleys**  
SPB taper bushed



Section	Number of grooves	Pitch diameter PD	Pulley type	Bushing number	Dimensions		B Min.	Max.	F	G	K	L	M	H	Mass <sup>1)</sup>	Designation
					Outer diameter OD	mm										
SPB	3	160	2	2517	167,0	16	60	63	117	-	45	18,0	-	4,9	PHP 3SPB160TB	
		170	2	2517	177,0	16	60	63	127	-	45	18,0	-	5,7	PHP 3SPB170TB	
		180	2	2517	187,0	16	60	63	137	-	45	18,0	-	6,7	PHP 3SPB180TB	
		190	2	2517	197,0	16	60	63	147	-	45	18,0	-	7,6	PHP 3SPB190TB	
		200	2	2517	207,0	16	60	63	157	-	45	18,0	-	8,9	PHP 3SPB200TB	
		212	7	2517	219,0	16	60	63	169	-	45	18,0	120	8,2	PHP 3SPB212TB	
		224	4	2517	231,0	16	60	63	181	-	45	18,0	120	9,1	PHP 3SPB224TB	
		236	4	2517	243,0	16	60	63	193	-	45	18,0	120	9,8	PHP 3SPB236TB	
		250	4	3020	257,0	25	75	63	207	-	51	12,0	150	11,2	PHP 3SPB250TB	
		280	4	3020	287,0	25	75	63	237	6,0	51	6,0	150	12,0	PHP 3SPB280TB	
		300	4	3020	307,0	25	75	63	257	6,0	51	6,0	150	13,5	PHP 3SPB300TB	
		315	4	3020	322,0	25	75	63	272	6,0	51	6,0	150	14,2	PHP 3SPB315TB	
		335	4	3020	342,0	25	75	63	292	6,0	51	6,0	150	16,0	PHP 3SPB335TB	
		355	4	3020	362,0	25	75	63	312	6,0	51	6,0	150	17,7	PHP 3SPB355TB	
		400	4	3535	407,0	35	90	63	357	13,0	89	13,0	170	25,0	PHP 3SPB400TB	
		450	4	3535	457,0	35	90	63	407	-	89	26,0	170	26,3	PHP 3SPB450TB	
		500	4	3535	507,0	35	90	63	457	-	89	26,0	170	29,9	PHP 3SPB500TB	
		560	4	3535	567,0	35	90	63	517	-	89	26,0	170	37,2	PHP 3SPB560TB	
		630	4	3535	637,0	35	90	63	587	-	89	26,0	170	41,0	PHP 3SPB630TB	
		710	4	3535	717,0	35	90	63	664	13,0	89	13,0	170	48,0	PHP 3SPB710TB	
		800	4	3535	807,0	35	90	63	754	13,0	89	13,0	170	55,0	PHP 3SPB800TB	
		900	4	3535	907,0	35	90	63	854	13,0	89	13,0	170	64,1	PHP 3SPB900TB	
		1 000	4	4040	1 007,0	40	100	63	954	20,0	102	20,0	210	72,0	PHP 3SPB1000TB	
		1 250	4	4040	1 257,0	40	100	63	1 204	20,0	102	20,0	210	140,0	PHP 3SPB1250TB	
SPB	4	100	3	1210	107,0	11	32	82	58	29,0	25	29,0	-	2,4	PHP 4SPB100TB	
		106	3	1610	113,0	14	42	82	65	29,0	25	29,0	-	2,3	PHP 4SPB106TB	
		112	3	1610	119,0	14	42	82	65	29,0	25	29,0	-	2,8	PHP 4SPB112TB	
		118	3	1610	125,0	14	42	82	71	29,0	25	29,0	-	3,3	PHP 4SPB118TB	
		125	3	2012	132,0	14	50	82	82	25,0	32	25,0	-	3,0	PHP 4SPB125TB	
		132	3	2012	139,0	14	50	82	89	25,0	32	25,0	-	3,8	PHP 4SPB132TB	
		140	3	2517	147,0	16	60	82	97	18,5	45	18,5	-	4,0	PHP 4SPB140TB	
		150	3	2517	157,0	16	60	82	107	18,5	45	18,5	-	4,9	PHP 4SPB150TB	
		160	3	2517	167,0	16	60	82	117	18,5	45	18,5	-	5,8	PHP 4SPB160TB	
		170	3	2517	177,0	16	60	82	127	18,5	45	18,5	-	6,6	PHP 4SPB170TB	
		180	3	2517	187,0	16	60	82	137	18,5	45	18,5	-	7,7	PHP 4SPB180TB	
		190	3	2517	197,0	16	60	82	147	18,5	45	18,5	-	8,6	PHP 4SPB190TB	
		200	3	3020	207,0	25	75	82	157	15,5	51	15,5	-	9,3	PHP 4SPB200TB	
		212	3	3020	219,0	25	75	82	169	15,5	51	15,5	-	10,9	PHP 4SPB212TB	
		224	3	3020	231,0	25	75	82	181	15,5	51	15,5	-	12,4	PHP 4SPB224TB	
		236	3	3020	243,0	25	75	82	193	15,5	51	15,5	-	14,1	PHP 4SPB236TB	
		250	5	3020	257,0	25	75	82	207	15,5	51	15,5	150	12,7	PHP 4SPB250TB	
		280	5	3020	287,0	25	75	82	237	15,5	51	15,5	150	13,8	PHP 4SPB280TB	
		300	4	3535	307,0	35	90	82	257	-	89	7,0	150	20,5	PHP 4SPB300TB	
		315	4	3535	322,0	35	90	82	272	3,5	89	3,5	170	20,6	PHP 4SPB315TB	
		335	4	3535	342,0	35	90	82	292	3,5	89	3,5	170	22,0	PHP 4SPB335TB	
		355	4	3535	362,0	35	90	82	312	3,5	89	3,5	170	23,2	PHP 4SPB355TB	
		400	4	3535	407,0	35	90	82	357	3,5	89	3,5	170	26,5	PHP 4SPB400TB	
		450	4	3535	457,0	35	90	82	407	-	89	7,0	170	29,7	PHP 4SPB450TB	
		500	4	3535	507,0	35	90	82	457	-	89	7,0	170	34,7	PHP 4SPB500TB	
		560	4	3535	567,0	35	90	82	517	-	89	7,0	170	39,0	PHP 4SPB560TB	
		630	4	3535	637,0	35	90	82	587	-	89	7,0	170	44,5	PHP 4SPB630TB	
		710	4	3535	717,0	35	90	82	664	3,5	89	3,5	187	50,5	PHP 4SPB710TB	
		800	4	4040	807,0	40	100	82	754	10,0	102	10,0	200	60,5	PHP 4SPB800TB	
		900	4	4040	907,0	40	100	82	854	10,0	102	10,0	216	70,0	PHP 4SPB900TB	

<sup>1)</sup> Mass does not include bushings.  
Non-functional dimensions may vary slightly.

**Wedge belt pulleys**  
SPB taper bushed



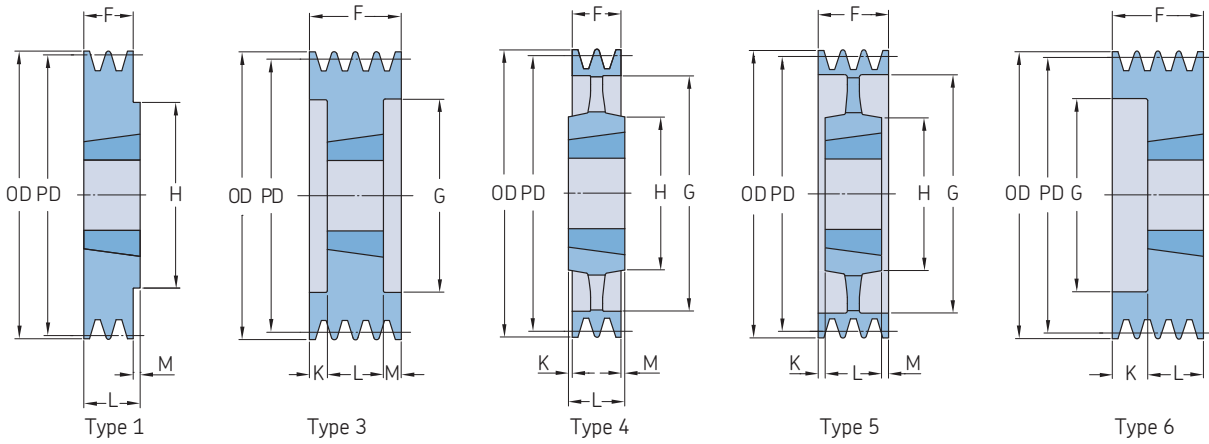
Type 7

Section	Number of grooves	Pitch diameter PD	Pulley type	Bushing number	Dimensions			F	G	K	L	M	H	Mass <sup>1)</sup>	Designation
					Outer diameter OD	B Min.	Max.								
														kg	-
SPB	4	1 000	4	4040	1 007,0	40	100	82	954	10,0	102	10,0	216	76,5	PHP 4SPB1000TB
		1 250	4	4545	1 257,0	55	110	82	1 204	16,0	114	16,0	225	162,0	PHP 4SPB1250TB
SPB	5	125	6	2012	132,0	14	50	101	87	69,0	32	-	-	3,6	PHP 5SPB125TB
		132	6	2517	139,0	16	60	101	94	56,0	45	-	-	3,8	PHP 5SPB132TB
		140	3	2517	147,0	16	60	101	97	28,0	45	28,0	-	4,2	PHP 5SPB140TB
		150	3	2517	157,0	16	60	101	107	28,0	45	28,0	-	5,7	PHP 5SPB150TB
		160	3	2517	167,0	16	60	101	117	28,0	45	28,0	-	6,7	PHP 5SPB160TB
		170	3	3020	177,0	25	75	101	127	25,0	51	25,0	-	6,7	PHP 5SPB170TB
		180	3	3020	187,0	25	75	101	137	25,0	51	25,0	-	7,8	PHP 5SPB180TB
		190	3	3020	197,0	25	75	101	147	25,0	51	25,0	-	9,1	PHP 5SPB190TB
		200	3	3020	207,0	25	75	101	157	25,0	51	25,0	-	10,3	PHP 5SPB200TB
		212	3	3020	219,0	25	75	101	169	25,0	51	25,0	-	12,2	PHP 5SPB212TB
		224	3	3020	231,0	25	75	101	181	25,0	51	25,0	-	13,7	PHP 5SPB224TB
		236	3	3535	243,0	35	90	101	193	6,0	89	6,0	-	15,9	PHP 5SPB236TB
		250	3	3535	257,0	35	90	101	207	6,0	89	6,0	-	18,6	PHP 5SPB250TB
		280	7	3535	287,0	35	90	101	237	6,0	89	6,0	170	21,4	PHP 5SPB280TB
		300	5	3535	307,0	35	90	101	257	6,0	89	6,0	170	22,5	PHP 5SPB300TB
		315	5	3535	322,0	35	90	101	272	6,0	89	6,0	170	22,3	PHP 5SPB315TB
		335	5	3535	342,0	35	90	101	292	6,0	89	6,0	170	24,0	PHP 5SPB335TB
		355	4	3535	362,0	35	90	101	312	6,0	89	6,0	170	25,5	PHP 5SPB355TB
		400	5	3535	407,0	35	90	101	357	6,0	89	6,0	170	30,2	PHP 5SPB400TB
		450	5	3535	457,0	35	90	101	407	-	89	12,0	170	32,8	PHP 5SPB450TB
		500	5	3535	507,0	35	90	101	457	-	89	12,0	170	36,7	PHP 5SPB500TB
		530	5	3525	537,0	35	90	101	487	-	89	12,0	170	39,2	PHP 5SPB530TB
		560	4	4040	567,0	40	100	101	517	-	102	1,0	200	45,6	PHP 5SPB560TB
		630	4	4040	637,0	40	100	101	587	-	102	1,0	200	50,0	PHP 5SPB630TB
710	4	4040	717,0	40	100	101	664	-	102	1,0	200	63,5	PHP 5SPB710TB		
800	4	4040	807,0	40	100	101	754	-	102	1,0	200	67,0	PHP 5SPB800TB		
900	4	4040	907,0	40	100	101	854	-	114	1,0	200	103,0	PHP 5SPB900TB		
1 000	4	4545	1 007,0	55	110	101	954	6,5	114	6,5	225	110,0	PHP 5SPB1000TB		
1 250	4	4545	1 257,0	55	110	101	1 204	6,5	114	6,5	225	180,0	PHP 5SPB1250TB		
SPB	6	125	3	2012	132,0	14	50	120	83	44,0	32	44,0	-	4,2	PHP 6SPB125TB
		132	3	2012	139,0	14	50	120	90	44,0	32	44,0	-	4,5	PHP 6SPB132TB
		140	3	2517	147,0	16	60	120	97	37,5	45	37,5	-	4,7	PHP 6SPB140TB
		150	3	2517	157,0	16	60	120	107	37,5	45	37,5	-	6,5	PHP 6SPB150TB
		160	3	3020	167,0	25	75	120	117	34,5	51	34,5	-	5,9	PHP 6SPB160TB
		170	3	3020	177,0	25	75	120	127	34,5	51	34,5	-	7,6	PHP 6SPB170TB
		180	3	3020	187,0	25	75	120	137	34,5	51	34,5	-	8,9	PHP 6SPB180TB
		190	3	3020	197,0	25	75	120	147	34,5	51	34,5	-	10,2	PHP 6SPB190TB
		200	3	3020	207,0	25	75	120	157	34,5	51	34,5	-	11,7	PHP 6SPB200TB
		212	3	3535	219,0	35	90	120	169	15,5	89	15,5	-	13,2	PHP 6SPB212TB
		224	3	3535	231,0	35	90	120	181	15,5	89	15,5	-	15,2	PHP 6SPB224TB
		236	3	3535	243,0	35	90	120	193	15,5	89	15,5	-	17,6	PHP 6SPB236TB
		250	3	3535	257,0	35	90	120	207	15,5	89	15,5	-	20,2	PHP 6SPB250TB
		280	7	3535	287,0	35	90	120	237	15,5	89	15,5	191	23,5	PHP 6SPB280TB
		300	5	3535	307,0	35	90	120	257	15,5	89	15,5	191	24,0	PHP 6SPB300TB
		315	5	3535	322,0	35	90	120	272	15,5	89	15,5	191	24,1	PHP 6SPB315TB
		335	5	3535	342,0	35	90	120	292	15,5	89	15,5	191	26,0	PHP 6SPB335TB
		355	5	3535	362,0	35	90	120	312	15,5	89	15,5	191	28,3	PHP 6SPB355TB
		400	5	3535	407,0	35	90	120	357	15,5	89	15,5	191	31,8	PHP 6SPB400TB
		450	5	4040	457,0	40	100	120	407	-	102	18,0	191	35,3	PHP 6SPB450TB
		500	5	4040	507,0	40	100	120	457	-	102	18,0	191	40,7	PHP 6SPB500TB
		560	5	4040	567,0	40	100	120	517	-	102	18,0	191	49,2	PHP 6SPB560TB

<sup>1)</sup> Mass does not include bushings.  
Non-functional dimensions may vary slightly.

# Wedge belt pulleys

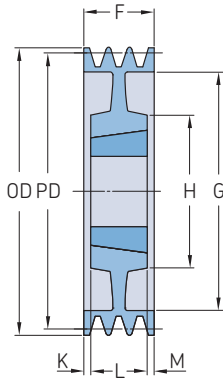
SPB taper bushed | SPC taper bushed



Section	Number of grooves	Pitch diameter PD	Pulley type	Bushing number	Dimensions		B Min.	Max.	F	G	K	L	M	H	Mass <sup>1)</sup> kg	Designation
					Outer diameter OD											
mm																
mm																
SPB	6	630	5	4040	637,0	40	100	120	587	-	102	18,0	191	53,5	PHP 6SPB630TB	
		710	5	4040	717,0	40	100	120	664	9,0	102	9,0	240	69,0	PHP 6SPB710TB	
		800	5	4545	807,0	55	110	120	754	3,0	114	3,0	240	84,5	PHP 6SPB800TB	
		900	5	4545	907,0	55	110	120	854	3,0	114	3,0	240	94,5	PHP 6SPB900TB	
		1 000	5	4545	1 007,0	55	110	120	954	3,0	114	3,0	240	104,0	PHP 6SPB1000TB	
		1 250	5	4545	1 257,0	55	110	120	1 204	3,0	127	3,0	240	210,0	PHP 6SPB1250TB	
SPB	8	140	3	2517	147,0	16	60	158	97	56,5	45	56,5	-	6,8	PHP 8SPB140TB	
		160	3	3020	167,0	25	75	158	117	53,5	51	53,5	-	8,3	PHP 8SPB160TB	
		170	3	3030	177,0	35	75	158	127	41,0	76	41,0	-	9,5	PHP 8SPB170TB	
		180	3	3030	187,0	35	75	158	137	41,0	76	41,0	-	10,8	PHP 8SPB180TB	
		190	3	3030	197,0	35	75	158	147	41,0	76	41,0	-	12,3	PHP 8SPB190TB	
		200	3	3535	207,0	35	90	158	157	34,5	89	34,5	-	13,7	PHP 8SPB200TB	
		212	3	3535	219,0	35	90	158	169	34,5	89	34,5	-	15,8	PHP 8SPB212TB	
		224	3	3535	231,0	35	90	158	181	34,5	89	34,5	-	17,9	PHP 8SPB224TB	
		236	3	3535	243,0	35	90	158	193	34,5	89	34,5	-	20,0	PHP 8SPB236TB	
		250	3	3535	257,0	35	90	158	207	34,5	89	34,5	-	23,2	PHP 8SPB250TB	
		280	7	3535	287,0	35	90	158	237	34,5	89	34,5	-	26,6	PHP 8SPB280TB	
		300	7	3535	307,0	35	90	158	257	34,5	89	34,5	170	27,3	PHP 8SPB300TB	
		315	7	3535	322,0	35	90	158	272	34,5	89	34,5	170	28,0	PHP 8SPB315TB	
		335	7	3535	342,0	35	90	158	292	34,5	89	34,5	170	30,5	PHP 8SPB335TB	
		355	7	3535	362,0	35	90	158	312	34,5	89	34,5	170	31,5	PHP 8SPB355TB	
		400	5	4040	407,0	40	100	158	357	28,0	102	28,0	200	43,0	PHP 8SPB400TB	
		450	5	4040	457,0	40	100	158	407	28,0	102	28,0	200	46,0	PHP 8SPB450TB	
		500	5	4040	507,0	40	100	158	457	28,0	102	28,0	200	52,0	PHP 8SPB500TB	
		560	5	4545	567,0	55	110	158	517	22,0	114	22,0	225	54,5	PHP 8SPB560TB	
		630	5	4545	637,0	55	110	158	587	22,0	114	22,0	225	67,0	PHP 8SPB630TB	
		710	5	4545	717,0	55	110	158	664	22,0	114	22,0	225	75,5	PHP 8SPB710TB	
		800	5	4545	807,0	55	110	158	754	22,0	114	22,0	225	94,5	PHP 8SPB800TB	
		900	5	4545	907,0	55	110	158	854	22,0	114	22,0	225	113,5	PHP 8SPB900TB	
		1 000	5	5050	1 007,0	70	125	158	954	15,5	127	15,5	245	121,5	PHP 8SPB1000TB	
		1 250	5	5050	1 257,0	70	125	158	1 204	15,5	127	15,5	245	242,0	PHP 8SPB1250TB	
SPB	10	224	3	3535	231,0	35	90	196	181	53,5	89	53,5	-	20,5	PHP 10SPB224TB	
		236	3	3535	243,0	35	90	196	193	53,5	89	53,5	-	22,6	PHP 10SPB236TB	
		250	3	3535	257,0	35	90	196	207	53,5	89	53,5	-	26,6	PHP 10SPB250TB	
		280	6	3535	287,0	35	90	196	237	53,5	89	53,5	-	27,8	PHP 10SPB280TB	
		315	7	3535	322,0	35	90	196	272	53,5	89	53,5	170	28,8	PHP 10SPB315TB	
		335	5	4040	342,0	40	100	196	292	47,0	102	47,0	200	32,0	PHP 10SPB335TB	
		355	5	4040	362,0	40	100	196	312	47,0	102	47,0	200	33,5	PHP 10SPB355TB	
		400	5	4040	407,0	40	100	196	357	47,0	102	47,0	200	36,0	PHP 10SPB400TB	
		450	5	4545	457,0	55	110	196	407	41,0	114	41,0	225	47,0	PHP 10SPB450TB	
		500	5	4545	507,0	55	110	196	457	41,0	114	41,0	225	55,0	PHP 10SPB500TB	
		560	5	4545	567,0	55	110	196	517	41,0	114	41,0	225	59,0	PHP 10SPB560TB	
		630	5	4545	637,0	55	110	196	587	41,0	114	41,0	225	66,0	PHP 10SPB630TB	
		710	5	4545	717,0	55	125	196	664	41,0	114	41,0	225	75,0	PHP 10SPB710TB	
		800	5	4545	807,0	55	125	196	754	41,0	114	41,0	225	96,0	PHP 10SPB800TB	
		900	5	5050	907,0	70	125	196	854	34,5	127	34,5	245	119,0	PHP 10SPB900TB	
		1 000	5	5050	1 007,0	70	125	196	954	34,5	127	34,5	245	141,0	PHP 10SPB1000TB	
		1 250	5	5050	1 257,0	70	125	196	1 203	35,0	127	-	-	265,0	PHP 10SPB1250TB	
SPC	3	200	3	2517	209,6	16	60	85	150	20,0	45	20,0	-	10,2	PHP 3SPC200TB	
		212	3	3020	221,6	25	75	85	162	17,0	51	17,0	-	11,2	PHP 3SPC212TB	
		224	3	3020	233,6	25	75	85	173	17,0	51	17,0	-	12,7	PHP 3SPC224TB	
		236	3	3020	245,6	25	75	85	185	17,0	51	17,0	-	14,4	PHP 3SPC236TB	
		250	3	3020	259,6	25	75	85	194	17,0	51	17,0	-	16,5	PHP 3SPC250TB	

<sup>1)</sup> Mass does not include bushings.  
Non-functional dimensions may vary slightly.

**Wedge belt pulleys**  
SPC taper bushed

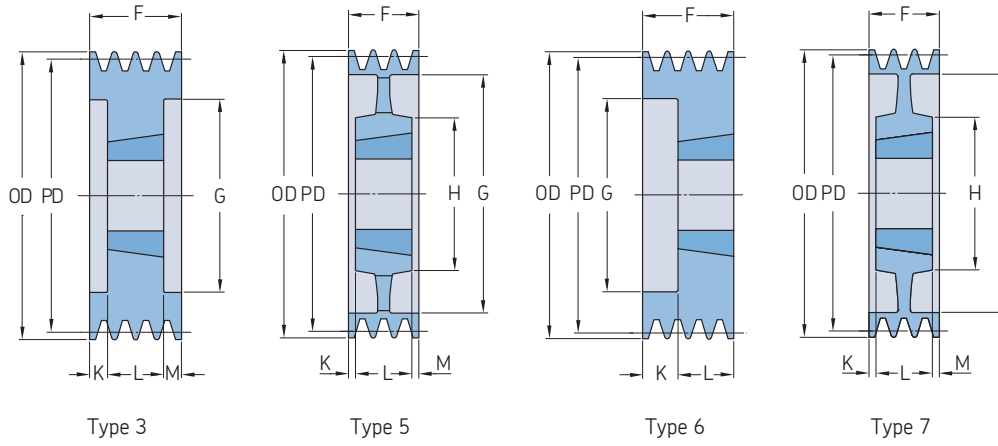


Type 7

Section	Number of grooves	Pitch diameter PD	Pulley type	Bushing number	Dimensions		F	G	K	L	M	H	Mass <sup>1)</sup>	Designation	
					Outer diameter OD	B Min. Max.									
													kg	-	
SPC	3	265	1	3535	274,6	35	90	85	-	-	89	4,0	170	19,7	PHP 3SPC265TB
		280	1	3535	289,6	35	90	85	-	-	89	4,0	170	22,7	PHP 3SPC280TB
		300	4	3535	309,6	35	90	85	249	2,0	89	2,0	170	22,7	PHP 3SPC300TB
		315	7	3535	324,6	35	90	85	264	2,0	89	2,0	170	22,0	PHP 3SPC315TB
		335	4	3535	344,6	35	90	85	284	2,0	89	2,0	170	24,1	PHP 3SPC335TB
		355	4	3535	364,6	35	90	85	304	2,0	89	2,0	170	26,2	PHP 3SPC355TB
		375	4	3535	384,6	35	90	85	324	2,0	89	2,0	170	28,0	PHP 3SPC375TB
		400	4	3535	409,6	35	90	85	344	2,0	89	2,0	170	29,3	PHP 3SPC400TB
		425	4	3535	434,6	35	90	85	369	2,0	89	2,0	170	32,8	PHP 3SPC425TB
		450	4	3535	459,6	35	90	85	394	2,0	89	2,0	170	34,7	PHP 3SPC450TB
		475	4	3535	484,6	35	90	85	419	2,0	89	2,0	170	36,5	PHP 3SPC475TB
		500	4	3535	509,6	35	90	85	444	2,0	89	2,0	170	40,0	PHP 3SPC500TB
		530	4	3535	539,6	35	90	85	474	2,0	89	2,0	170	42,5	PHP 3SPC530TB
		560	4	3535	569,6	35	90	85	504	2,0	89	2,0	170	45,9	PHP 3SPC560TB
		630	4	4040	639,6	40	100	85	574	8,5	102	8,5	200	76,3	PHP 3SPC630TB
		710	4	4040	719,6	70	100	85	654	8,5	102	8,5	200	81,6	PHP 3SPC710TB
		800	4	4545	809,6	55	110	85	737	14,5	114	14,5	225	87,0	PHP 3SPC800TB
		1 000	4	5050	1 009,6	70	125	85	937	21,0	127	21,0	245	120,0	PHP 3SPC1000TB
1 250	4	5050	1 259,6	70	125	85	1 187	21,0	127	21,0	245	175,0	PHP 3SPC1250TB		
SPC	4	200	3	3020	209,6	25	75	111	144	30,0	51	30,0	-	11,3	PHP 4SPC200TB
		212	3	3020	221,6	25	75	111	156	30,0	51	30,0	-	13,0	PHP 4SPC212TB
		224	3	3535	233,6	35	90	111	168	11,0	89	11,0	-	14,5	PHP 4SPC224TB
		236	3	3535	245,6	35	90	111	180	11,0	89	11,0	-	16,7	PHP 4SPC236TB
		250	3	3535	259,6	35	90	111	194	11,0	89	11,0	-	19,3	PHP 4SPC250TB
		265	3	3535	274,6	35	90	111	209	11,0	89	11,0	-	22,4	PHP 4SPC265TB
		280	7	3535	289,6	35	90	111	224	11,0	89	11,0	-	25,4	PHP 4SPC280TB
		300	5	3535	309,6	35	90	111	244	11,0	89	11,0	170	25,4	PHP 4SPC300TB
		315	5	3535	324,6	35	90	111	259	11,0	89	11,0	170	25,3	PHP 4SPC315TB
		335	5	3535	344,6	35	90	111	279	11,0	89	11,0	170	27,4	PHP 4SPC335TB
		355	5	3535	364,6	35	90	111	299	11,0	89	11,0	170	29,6	PHP 4SPC355TB
		375	5	3535	384,6	35	90	111	319	11,0	89	11,0	170	31,3	PHP 4SPC375TB
		400	5	3535	409,6	35	90	111	344	11,0	89	11,0	170	33,8	PHP 4SPC400TB
		425	5	3535	434,6	35	90	111	369	11,0	89	11,0	170	38,0	PHP 4SPC425TB
		450	5	3535	459,6	35	90	111	394	11,0	89	11,0	170	41,3	PHP 4SPC450TB
		475	5	3535	484,6	35	90	111	419	11,0	89	11,0	170	43,7	PHP 4SPC475TB
		500	5	3535	509,6	35	90	111	444	11,0	89	11,0	170	46,0	PHP 4SPC500TB
		530	5	4040	539,6	40	100	111	474	4,5	102	4,5	170	52,0	PHP 4SPC530TB
560	5	4040	569,6	40	100	111	504	4,5	102	4,5	200	58,0	PHP 4SPC560TB		
630	4	4545	639,6	55	110	111	574	1,5	114	1,5	225	63,8	PHP 4SPC630TB		
710	4	5050	719,6	70	125	111	654	8,0	127	8,0	267	83,2	PHP 4SPC710TB		
800	4	5050	809,6	70	125	111	737	8,0	127	8,0	267	102,5	PHP 4SPC800TB		
1 000	4	5050	1 009,6	70	125	111	937	8,0	127	8,0	267	130,0	PHP 4SPC1000TB		
1 250	4	5050	1 259,6	70	125	111	1 187	8,0	127	8,0	267	186,0	PHP 4SPC1250TB		
SPC	5	200	3	3535	209,6	35	90	136	150	23,5	89	23,5	-	12,2	PHP 5SPC200TB
		212	3	3535	221,6	35	90	136	160	23,5	89	23,5	-	14,5	PHP 5SPC212TB
		224	3	3535	233,6	35	90	136	173	23,5	89	23,5	-	16,6	PHP 5SPC224TB
		236	3	3535	245,6	35	90	136	185	23,5	89	23,5	-	18,9	PHP 5SPC236TB
		250	3	3535	259,6	35	90	136	198	23,5	89	23,5	-	21,5	PHP 5SPC250TB
		265	3	3535	274,6	35	90	136	213	23,5	89	23,5	-	25,0	PHP 5SPC265TB
		280	3	3535	289,6	35	90	136	228	23,5	89	23,5	-	28,4	PHP 5SPC280TB
		300	7	3535	309,6	35	90	136	247	23,5	89	23,5	170	28,2	PHP 5SPC300TB
		315	5	3535	324,6	35	90	136	264	23,5	89	23,5	170	28,1	PHP 5SPC315TB
		335	5	3535	344,6	35	90	136	280	23,5	89	23,5	170	31,1	PHP 5SPC335TB

<sup>1)</sup> Mass does not include bushings.  
Non-functional dimensions may vary slightly.

**Wedge belt pulleys**  
SPC taper bushed



Section	Number of grooves	Pitch diameter PD	Pulley type	Bushing number	Dimensions			F	G	K	L	M	H	Mass <sup>1)</sup>	Designation		
					Outer diameter OD	B Min.	Max.										
		mm	-	-	mm									kg	-		
SPC	5	355	5	3535	364,6	35	90	136	304	23,5	89	23,5	170	33,1	PHP 5SPC355TB		
		375	5	3535	384,6	35	90	136	324	23,5	89	23,5	170	35,6	PHP 5SPC375TB		
		400	5	3535	409,6	35	90	136	344	23,5	89	23,5	170	38,5	PHP 5SPC400TB		
		425	5	3535	434,6	35	90	136	369	23,5	89	23,5	170	42,5	PHP 5SPC425TB		
		450	5	4040	459,6	40	100	136	394	17,0	102	17,0	200	44,3	PHP 5SPC450TB		
		475	5	4040	484,6	40	100	136	419	17,0	102	17,0	200	48,5	PHP 5SPC475TB		
		500	5	4040	509,6	40	100	136	444	17,0	102	17,0	200	51,0	PHP 5SPC500TB		
		530	5	4545	539,6	55	110	136	474	11,0	102	11,0	200	66,0	PHP 5SPC530TB		
		560	5	4545	569,6	55	110	136	504	11,0	114	11,0	200	66,7	PHP 5SPC560TB		
		630	5	5050	639,6	70	125	136	574	4,5	127	4,5	245	73,0	PHP 5SPC630TB		
		710	5	5050	719,6	70	125	136	654	4,5	127	4,5	245	93,0	PHP 5SPC710TB		
		800	5	5050	809,6	70	125	136	737	4,5	127	4,5	245	119,0	PHP 5SPC800TB		
		1 000	5	5050	1 009,6	70	125	136	937	4,5	127	4,5	245	147,0	PHP 5SPC1000TB		
		1 250	5	5050	1 259,6	70	125	136	1 187	4,5	127	4,5	245	210,0	PHP 5SPC1250TB		
		SPC	6	200	3	3535	209,6	35	90	162	148	36,5	89	36,5	-	14,1	PHP 6SPC200TB
				212	3	3535	221,6	35	90	162	160	36,5	89	36,5	-	16,5	PHP 6SPC212TB
				224	3	3535	233,6	35	90	162	173	36,5	89	36,5	-	18,0	PHP 6SPC224TB
				236	3	3535	245,6	35	90	162	185	36,5	89	36,5	-	21,3	PHP 6SPC236TB
250	3			3535	259,6	35	90	162	198	36,5	89	36,5	-	29,0	PHP 6SPC250TB		
265	3			3535	274,6	35	90	162	213	36,5	89	36,5	-	30,3	PHP 6SPC265TB		
280	7			3535	289,6	35	90	162	228	36,5	89	36,5	-	31,5	PHP 6SPC280TB		
300	7			3535	309,6	35	90	162	247	36,5	89	36,5	170	31,5	PHP 6SPC300TB		
315	5			3535	324,6	35	90	162	264	36,5	89	36,5	170	33,2	PHP 6SPC315TB		
335	5			3535	344,6	35	90	162	280	36,5	89	36,5	170	37,5	PHP 6SPC335TB		
355	5			3535	364,6	35	90	162	304	36,5	89	36,5	170	40,5	PHP 6SPC355TB		
375	5			4040	384,6	40	100	162	324	30,0	102	30,0	200	44,5	PHP 6SPC375TB		
400	5			4040	409,6	40	100	162	348	30,0	102	30,0	200	48,0	PHP 6SPC400TB		
425	5			4040	434,6	40	100	162	369	30,0	102	30,0	225	51,0	PHP 6SPC425TB		
450	7			4545	459,6	55	110	162	394	24,0	114	24,0	225	57,5	PHP 6SPC450TB		
475	5			4545	484,6	55	110	162	419	24,0	114	24,0	225	62,0	PHP 6SPC475TB		
500	5			4545	509,6	55	110	162	444	24,0	114	24,0	225	67,0	PHP 6SPC500TB		
530	5			5050	539,6	70	125	162	474	17,5	114	17,5	245	74,5	PHP 6SPC530TB		
560	5	5050	569,6	70	125	162	504	17,5	127	17,5	245	77,5	PHP 6SPC560TB				
630	5	5050	639,6	70	125	162	574	17,5	127	17,5	245	88,5	PHP 6SPC630TB				
710	5	5050	719,6	70	125	162	654	17,5	127	17,5	245	107,3	PHP 6SPC710TB				
800	5	5050	809,6	70	125	162	737	17,5	127	17,5	245	126,0	PHP 6SPC800TB				
1 000	5	5050	1 009,6	70	125	162	937	17,5	127	17,5	245	185,0	PHP 6SPC1000TB				
1 250	5	5050	1 259,6	70	125	162	1 187	17,5	127	17,5	245	258,0	PHP 6SPC1250TB				
SPC	8	200	3	3535	209,6	35	90	213	148	62,0	89	62,0	-	20,0	PHP 8SPC200TB		
		212	3	3535	221,6	35	90	213	160	62,0	89	62,0	-	21,3	PHP 8SPC212TB		
		224	3	3535	233,6	35	90	213	170	62,0	89	62,0	-	22,9	PHP 8SPC224TB		
		236	3	3535	245,6	35	90	213	184	62,0	89	62,0	-	25,9	PHP 8SPC236TB		
		250	3	3535	259,6	35	90	213	198	62,0	89	62,0	-	29,0	PHP 8SPC250TB		
		265	3	3535	274,6	35	90	213	213	62,0	89	62,0	-	32,5	PHP 8SPC265TB		
		280	3	3535	289,6	35	90	213	228	62,0	89	62,0	-	36,1	PHP 8SPC280TB		
		300	3	4040	309,6	40	100	213	207	55,5	102	55,5	-	37,1	PHP 8SPC300TB		
		315	3	4040	324,6	40	100	213	258	55,5	102	55,5	-	40,0	PHP 8SPC315TB		
		335	7	4040	344,6	40	100	213	280	55,5	102	55,5	210	44,0	PHP 8SPC335TB		
		355	5	4040	364,6	40	100	213	304	55,5	102	55,5	210	49,0	PHP 8SPC355TB		
		375	5	4545	384,6	55	110	213	324	49,5	114	49,5	242	54,5	PHP 8SPC375TB		
		400	5	4545	409,6	55	110	213	348	49,5	114	49,5	242	58,0	PHP 8SPC400TB		
		425	5	4545	434,6	55	110	213	369	49,5	114	49,5	242	63,5	PHP 8SPC425TB		
		450	5	5050	459,6	70	125	213	394	43,0	127	43,0	267	70,0	PHP 8SPC450TB		

<sup>1)</sup> Mass does not include bushings.  
Non-functional dimensions may vary slightly.

## Wedge belt pulleys

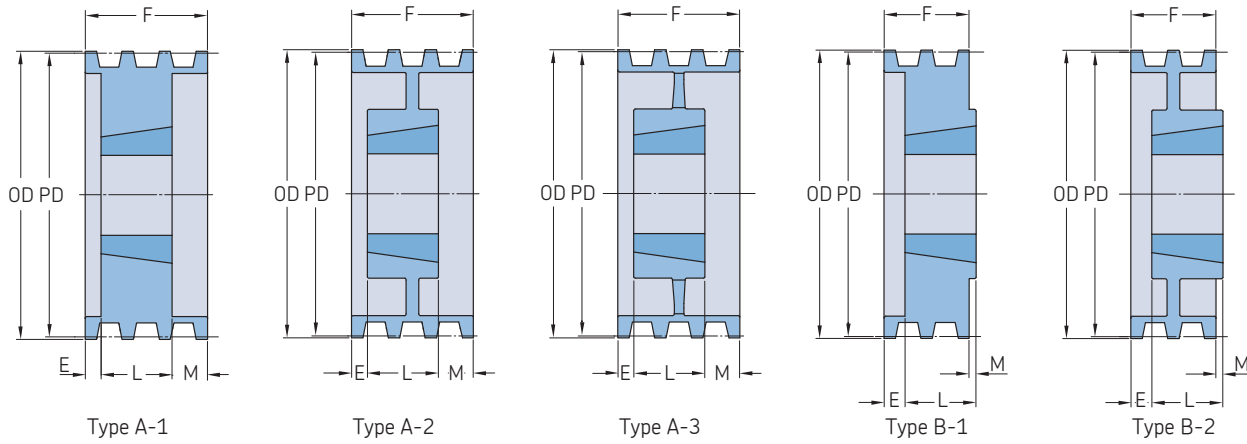
### SPC taper bushed

Section	Number of grooves	Pitch diameter PD	Pulley type	Bushing number	Dimensions									Mass <sup>1)</sup>	Designation
					Outer diameter OD	B Min.	Max.	F	G	K	L	M	H		
–	–	mm	–	–	mm									kg	–
SPC	8	475	5	5050	484,6	70	125	213	419	43,0	127	43,0	267	72,0	PHP 8SPC475TB
		500	5	5050	509,6	70	125	213	444	43,0	127	43,0	267	82,5	PHP 8SPC500TB
		530	5	5050	539,6	70	125	213	474	43,0	127	43,0	267	82,5	PHP 8SPC530TB
		560	5	5050	569,6	70	125	213	504	43,0	127	43,0	267	94,5	PHP 8SPC560TB
		630	5	5050	639,6	70	125	213	574	43,0	127	43,0	267	102,0	PHP 8SPC630TB
		710	5	5050	719,6	70	125	213	656	43,0	127	43,0	267	123,5	PHP 8SPC710TB
		800	5	5050	809,6	70	125	213	737	43,0	127	43,0	267	145,0	PHP 8SPC800TB
		1 000	5	5050	1 009,6	70	125	213	937	43,0	127	43,0	267	207,0	PHP 8SPC1000TB
		1 250	5	5050	1 259,6	70	125	213	1 187	43,0	127	43,0	267	285,0	PHP 8SPC1250TB
		SPC	10	224	3	4040	233,6	40	100	264	168	81,0	102	–	–
236	3			4040	245,6	40	100	264	180	81,0	102	81,0	–	30,9	PHP 10SPC236TB
250	3			4040	259,6	40	100	264	196	81,0	102	81,0	–	35,0	PHP 10SPC250TB
265	3			4040	274,6	40	100	264	209	81,0	102	81,0	–	39,5	PHP 10SPC265TB
280	3			4040	289,6	40	100	264	226	81,0	102	81,0	–	42,1	PHP 10SPC280TB
300	3			4545	309,6	55	110	264	245	75,0	114	75,0	–	44,1	PHP 10SPC300TB
315	3			4545	324,6	55	110	264	258	75,0	114	75,0	–	47,0	PHP 10SPC315TB
335	3			4545	344,6	55	110	264	279	75,0	114	75,0	–	51,0	PHP 10SPC335TB
355	3			4545	364,6	55	110	264	299	75,0	114	75,0	–	57,0	PHP 10SPC355TB
375	3			4545	384,6	55	110	264	319	68,5	127	68,5	245	62,5	PHP 10SPC375TB
400	6			5050	409,6	70	125	264	342	68,5	127	68,5	245	66,0	PHP 10SPC400TB
425	7			5050	434,6	70	125	264	369	68,5	127	68,5	245	70,5	PHP 10SPC425TB
450	5			5050	459,6	70	125	264	394	68,5	127	68,5	245	78,0	PHP 10SPC450TB
475	5			5050	484,6	70	125	264	419	68,5	127	68,5	245	82,0	PHP 10SPC475TB
500	5			5050	509,6	70	125	264	444	68,5	127	68,5	245	95,5	PHP 10SPC500TB
530	5			5050	539,6	70	125	264	474	68,5	127	68,5	245	106,0	PHP 10SPC530TB
560	5			5050	569,6	70	125	264	504	68,5	127	68,5	245	94,7	PHP 10SPC560TB
630	5			5050	639,6	70	125	264	574	68,5	127	68,5	245	113,2	PHP 10SPC630TB
710	5			5050	719,6	70	125	264	654	68,5	127	68,5	245	133,5	PHP 10SPC710TB
800	5			5050	809,6	70	125	264	737	68,5	127	68,5	245	160,5	PHP 10SPC800TB
1 000	5			5050	1 009,6	70	125	264	937	68,5	127	68,5	245	227,5	PHP 10SPC1000TB
1 250	5			5050	1 259,6	70	125	264	1 187	68,5	127	68,5	245	300,0	PHP 10SPC1250TB

<sup>1)</sup> Mass does not include bushings.  
Non-functional dimensions may vary slightly.

# Classical V-belt pulleys

A/B taper bushed



Section	Number of grooves	Pitch diameter Belt A		Belt B		Pulley type	Bushing number	Dimensions			F	E	L	M	Mass <sup>2)</sup>	Designation		
		PD	PD	PD	PD			Outer diameter OD	B Min.	Max.								
		mm	in.	mm	in.			mm							kg			
A/B	1	76,2	3,0	86,4	3,4	A-1	1210	95,3	15,88	31,75	25,40	-	25,40	-	1,0	PHP 1-B34TB		
		81,3	3,2	91,4	3,6	A-1	1210	100,3	15,88	31,75	25,40	-	25,40	-	1,2	PHP 1-B36TB		
		86,4	3,4	96,5	3,8	A-1	1610	105,4	12,70	41,28	25,40	-	25,40	-	1,3	PHP 1-B38TB		
		91,4	3,6	101,6	4,0	A-1	1610	110,5	12,70	41,28	25,40	-	25,40	-	1,4	PHP 1-B40TB		
		96,5	3,8	106,7	4,2	A-1	1610	115,6	12,70	41,28	25,40	-	25,40	-	1,6	PHP 1-B42TB		
		101,6	4,0	111,8	4,4	A-1	1610	120,7	12,70	41,28	25,40	-	25,40	-	1,7	PHP 1-B44TB		
		106,7	4,2	116,8	4,6	A-1	1610	125,7	12,70	41,28	25,40	-	25,40	-	1,8	PHP 1-B46TB		
		111,8	4,4	121,9	4,8	A-1	1610	130,8	12,70	41,28	25,40	-	25,40	-	2,0	PHP 1-B48TB		
		116,8	4,6	127,0	5,0	A-1	1610	135,9	12,70	41,28	25,40	-	25,40	-	2,2	PHP 1-B50TB		
		121,9	4,8	132,1	5,2	A-1	1610	141,0	12,70	41,28	25,40	-	25,40	-	2,3	PHP 1-B52TB		
		127,0	5,0	137,2	5,4	A-1	1610	146,1	12,70	41,28	25,40	-	25,40	-	2,5	PHP 1-B54TB		
		132,1	5,2	142,2	5,6	A-1	1610	151,1	12,70	41,28	25,40	-	25,40	-	2,7	PHP 1-B56TB		
		137,2	5,4	147,3	5,8	A-1	1610	156,2	12,70	41,28	25,40	-	25,40	-	2,9	PHP 1-B58TB		
		142,2	5,6	152,4	6,0	A-1	1610	161,3	12,70	41,28	25,40	-	25,40	-	3,0	PHP 1-B60TB		
		147,3	5,8	157,5	6,2	A-1	1610	166,4	12,70	41,28	25,40	-	25,40	-	3,2	PHP 1-B62TB		
		152,4	6,0	162,6	6,4	A-1	1610	171,5	12,70	41,28	25,40	-	25,40	-	3,6	PHP 1-B64TB		
		157,5	6,2	167,6	6,6	A-1	1610	176,5	12,70	41,28	25,40	-	25,40	-	3,9	PHP 1-B66TB		
		162,6	6,4	172,7	6,8	A-1	1610	181,6	12,70	41,28	25,40	-	25,40	-	4,1	PHP 1-B68TB		
		177,8	7,0	188,0	7,4	B-1	2517 <sup>1)</sup>	196,9	19,05	63,50	25,40	-	44,45	19,05	4,3	PHP 1-B74TB		
		208,3	8,2	218,4	8,6	B-2	2517 <sup>1)</sup>	227,3	19,05	63,50	25,40	-	44,45	19,05	5,4	PHP 1-B86TB		
		228,6	9,0	238,8	9,4	B-2	2517 <sup>1)</sup>	247,7	19,05	63,50	25,40	-	44,45	19,05	6,4	PHP 1-B94TB		
		269,2	10,6	279,4	11,0	B-2	2517 <sup>1)</sup>	288,3	19,05	63,50	25,40	-	44,45	19,05	8,2	PHP 1-B110TB		
		304,8	12,0	315,0	12,4	C-3	2517 <sup>1)</sup>	323,9	19,05	63,50	25,40	6,35	44,45	12,70	8,4	PHP 1-B124TB		
		381,0	15,0	391,2	15,4	C-3	2517 <sup>1)</sup>	400,1	19,05	63,50	25,40	6,35	44,45	12,70	8,6	PHP 1-B154TB		
		457,2	18,0	467,4	18,4	C-3	2517 <sup>1)</sup>	476,3	19,05	63,50	28,58	4,76	44,45	11,11	10,9	PHP 1-B184TB		
		A/B	2	76,2	3,0	86,4	3,4	A-1	1210	95,3	15,88	31,75	44,45	19,05	25,40	-	1,0	PHP 2-B34TB
				81,3	3,2	91,4	3,6	A-1	1210	100,3	15,88	31,75	44,45	19,05	25,40	-	1,2	PHP 2-B36TB
				86,4	3,4	96,5	3,8	A-1	1610	105,4	12,70	41,28	44,45	19,05	25,40	-	1,3	PHP 2-B38TB
91,4	3,6			101,6	4,0	A-1	1610	110,5	12,70	41,28	44,45	19,05	25,40	-	1,4	PHP 2-B40TB		
96,5	3,8			106,7	4,2	A-1	1610	115,6	12,70	41,28	44,45	19,05	25,40	-	1,8	PHP 2-B42TB		
101,6	4,0			111,8	4,4	A-1	1610	120,7	12,70	41,28	44,45	19,05	25,40	-	2,0	PHP 2-B44TB		
106,7	4,2			116,8	4,6	A-1	1610	125,7	12,70	41,28	44,45	19,05	25,40	-	2,3	PHP 2-B46TB		
111,8	4,4			121,9	4,8	A-1	1610	130,8	12,70	41,28	44,45	19,05	25,40	-	2,5	PHP 2-B48TB		
116,8	4,6			127,0	5,0	A-1	1610	135,9	12,70	41,28	44,45	19,05	25,40	-	2,7	PHP 2-B50TB		
121,9	4,8			132,1	5,2	A-1	1610	141,0	12,70	41,28	44,45	19,05	25,40	-	3,0	PHP 2-B52TB		
127,0	5,0			137,2	5,4	A-1	1610	146,1	12,70	41,28	44,45	19,05	25,40	-	3,2	PHP 2-B54TB		
132,1	5,2			142,2	5,6	A-1	1610	151,1	12,70	41,28	44,45	19,05	25,40	-	3,7	PHP 2-B56TB		
137,2	5,4			147,3	5,8	A-1	1610	156,2	12,70	41,28	44,45	19,05	25,40	-	3,9	PHP 2-B58TB		
142,2	5,6			152,4	6,0	A-1	1610	161,3	12,70	41,28	44,45	19,05	25,40	-	4,0	PHP 2-B60TB		
147,3	5,8			157,5	6,2	A-1	1610	166,4	12,70	41,28	44,45	19,05	25,40	-	4,1	PHP 2-B62TB		
152,4	6,0			162,6	6,4	A-1	1610	171,5	12,70	41,28	44,45	19,05	25,40	-	4,5	PHP 2-B64TB		
157,5	6,2			167,6	6,6	A-1	1610	176,5	12,70	41,28	44,45	19,05	25,40	-	4,8	PHP 2-B66TB		
162,6	6,4			172,7	6,8	A-1	1610	181,6	12,70	41,28	44,45	19,05	25,40	-	5,0	PHP 2-B68TB		
177,8	7,0			188,0	7,4	A-1	2517 <sup>1)</sup>	196,9	19,05	63,50	44,45	-	44,45	-	7,3	PHP 2-B74TB		
208,3	8,2			218,4	8,6	A-2	2517 <sup>1)</sup>	227,3	19,05	63,50	44,45	-	44,45	-	8,2	PHP 2-B86TB		
228,6	9,0			238,8	9,4	A-2	2517 <sup>1)</sup>	247,7	19,05	63,50	44,45	-	44,45	-	9,1	PHP 2-B94TB		
269,2	10,6			279,4	11,0	A-2	2517 <sup>1)</sup>	288,3	19,05	63,50	44,45	-	44,45	-	11,3	PHP 2-B110TB		
304,8	12,0			315,0	12,4	A-3	2517 <sup>1)</sup>	323,9	19,05	63,50	44,45	-	44,45	-	12,3	PHP 2-B124TB		
381,0	15,0			391,2	15,4	A-3	2517 <sup>1)</sup>	400,1	19,05	63,50	44,45	-	44,45	-	14,1	PHP 2-B154TB		
457,2	18,0			467,4	18,4	A-3	2517 <sup>1)</sup>	476,3	19,05	63,50	44,45	-	44,45	-	15,0	PHP 2-B184TB		
497,8	19,6			508,0	20,0	C-3	3020	516,9	31,75	76,20	44,45	-	50,80	6,35	22,2	PHP 2-B200TB		
624,8	24,6			635,0	25,0	C-3	3020	643,9	31,75	76,20	44,45	-	50,80	6,35	29,5	PHP 2-B250TB		
751,8	29,6			762,0	30,0	C-3	3020	770,9	31,75	76,20	44,45	-	50,80	6,35	34,0	PHP 2-B300TB		
955,0	37,6	965,2	38,0	C-3	3020	974,1	31,75	76,20	44,45	-	50,80	6,35	50,8	PHP 2-B380TB				

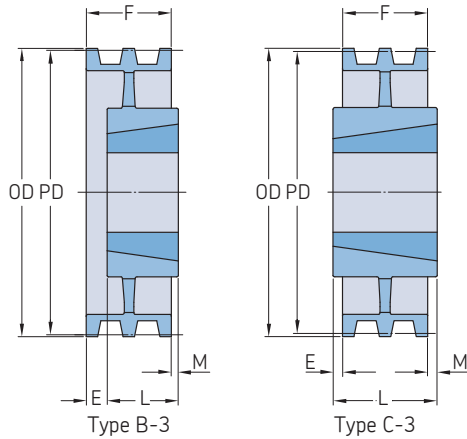
<sup>1)</sup> Taper bushing needs to conform to coarse thread series (UNC) of the ASME/ANSI standard. To complete designation, add U before bushing number and bore size at the end of designation, e.g. PHP TBU3535X70MM.

<sup>2)</sup> Mass does not include bushings.



# Classical V-belt pulleys

A/B taper bushed



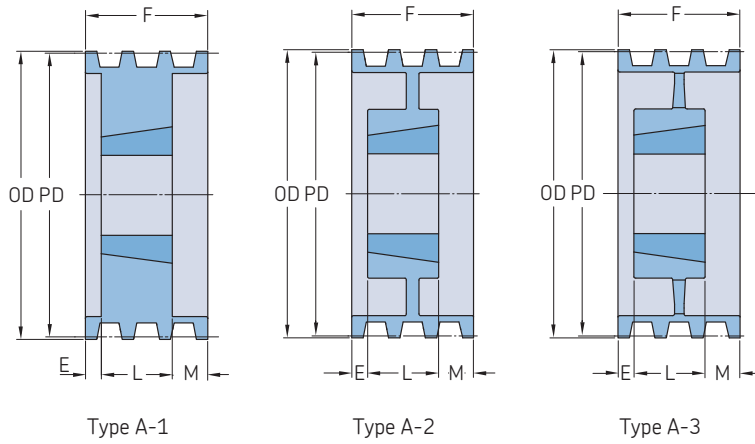
Section	Number of grooves	Pitch diameter Belt A		Belt B		Pulley type	Bushing number	Dimensions				Mass <sup>2)</sup>	Designation					
		PD	PD	PD	PD			Outer diameter OD	B Min.	Max.	F			E	L	M		
		mm	in.	mm	in.	mm						kg						
A/B	3	76,2	3.0	86,4	3,4	A-1	1210	95,3	15,88	31,75	63,50	38,10	25,40	-	1,4	PHP 3-B34TB		
		81,3	3,2	91,4	3,6	A-1	1210	100,3	15,88	31,75	63,50	38,10	25,40	-	1,6	PHP 3-B36TB		
		86,4	3,4	96,5	3,8	A-1	1610	105,4	12,70	41,28	63,50	38,10	25,40	-	1,8	PHP 3-B38TB		
		91,4	3,6	101,6	4,0	A-1	1610	110,5	12,70	41,28	63,50	38,10	25,40	-	2,3	PHP 3-B40TB		
		96,5	3,8	106,7	4,2	A-1	1610	115,6	12,70	41,28	63,50	38,10	25,40	-	2,7	PHP 3-B42TB		
		101,6	4,0	111,8	4,4	A-1	1610	120,7	12,70	41,28	63,50	38,10	25,40	-	3,0	PHP 3-B44TB		
		106,7	4,2	116,8	4,6	A-1	1610	125,7	12,70	41,28	63,50	38,10	25,40	-	3,2	PHP 3-B46TB		
		111,8	4,4	121,9	4,8	A-1	1610	130,8	12,70	41,28	63,50	38,10	25,40	-	3,6	PHP 3-B48TB		
		116,8	4,6	127,0	5,0	A-1	1610	135,9	12,70	41,28	63,50	38,10	25,40	-	3,9	PHP 3-B50TB		
		121,9	4,8	132,1	5,2	A-1	1610	141,0	12,70	41,28	63,50	38,10	25,40	-	4,1	PHP 3-B52TB		
		127,0	5,0	137,2	5,4	A-1	2517 <sup>1)</sup>	146,1	19,05	63,50	63,50	38,10	44,45	-	4,3	PHP 3-B54TB		
		132,1	5,2	142,2	5,6	A-1	2517 <sup>1)</sup>	151,1	19,05	63,50	63,50	38,10	44,45	-	4,5	PHP 3-B56TB		
		137,2	5,4	147,3	5,8	A-1	2517 <sup>1)</sup>	156,2	19,05	63,50	63,50	19,05	44,45	-	4,8	PHP 3-B58TB		
		142,2	5,6	152,4	6,0	A-1	2517 <sup>1)</sup>	161,3	19,05	63,50	63,50	19,05	44,45	-	5,0	PHP 3-B60TB		
		147,3	5,8	157,5	6,2	A-1	2517 <sup>1)</sup>	166,4	19,05	63,50	63,50	19,05	44,45	-	5,2	PHP 3-B62TB		
		152,4	6,0	162,6	6,4	A-1	2517 <sup>1)</sup>	171,5	19,05	63,50	63,50	19,05	44,45	-	5,4	PHP 3-B64TB		
		157,5	6,2	167,6	6,6	A-1	2517 <sup>1)</sup>	176,5	19,05	63,50	63,50	19,05	44,45	-	5,6	PHP 3-B66TB		
		162,6	6,4	172,7	6,8	A-1	2517 <sup>1)</sup>	181,6	19,05	63,50	63,50	19,05	44,45	-	5,8	PHP 3-B68TB		
		177,8	7,0	188,0	7,4	A-1	2517 <sup>1)</sup>	196,9	19,05	63,50	63,50	19,05	44,45	-	7,3	PHP 3-B74TB		
		208,3	8,2	218,4	8,6	A-2	2517 <sup>1)</sup>	227,3	19,05	63,50	63,50	19,05	44,45	-	8,6	PHP 3-B86TB		
		228,6	9,0	238,8	9,4	A-2	2517 <sup>1)</sup>	247,7	19,05	63,50	63,50	19,05	44,45	-	9,5	PHP 3-B94TB		
		269,2	10,6	279,4	11,0	A-2	2517 <sup>1)</sup>	288,3	19,05	63,50	63,50	19,05	44,45	-	10,9	PHP 3-B110TB		
		304,8	12,0	315,0	12,4	A-3	2517 <sup>1)</sup>	323,9	19,05	63,50	63,50	-	44,45	19,05	12,7	PHP 3-B124TB		
		381,0	15,0	391,2	15,4	A-3	2517 <sup>1)</sup>	400,1	19,05	63,50	63,50	-	44,45	19,05	13,6	PHP 3-B154TB		
		457,2	18,0	467,4	18,4	A-3	2517 <sup>1)</sup>	476,3	19,05	63,50	63,50	-	44,45	19,05	20,0	PHP 3-B184TB		
		497,8	19,6	508,0	20,0	A-3	3020	516,9	31,75	76,20	63,50	-	50,80	12,70	26,3	PHP 3-B200TB		
		624,8	24,6	635,0	25,0	A-3	3020	643,9	31,75	76,20	63,50	-	50,80	12,70	33,6	PHP 3-B250TB		
		751,8	29,6	762,0	30,0	A-3	3020	770,9	31,75	76,20	63,50	-	50,80	12,70	38,1	PHP 3-B300TB		
		955,0	37,6	965,2	38,0	B-3	3020	974,1	31,75	76,20	63,50	-	76,20	12,70	61,2	PHP 3-B380TB		
		A/B	4	76,2	3,0	86,4	3,4	A-1	1210	95,3	15,88	31,75	82,55	57,15	25,40	-	1,4	PHP 4-B34TB
				81,3	3,2	91,4	3,6	A-1	1210	100,3	15,88	31,75	82,55	57,15	25,40	-	1,6	PHP 4-B36TB
				86,4	3,4	96,5	3,8	A-1	1610	105,4	12,70	41,28	82,55	57,15	25,40	-	1,8	PHP 4-B38TB
91,4	3,6			101,6	4,0	A-1	1610	110,5	12,70	41,28	82,55	57,15	25,40	-	2,3	PHP 4-B40TB		
96,5	3,8			106,7	4,2	A-1	1610	115,6	12,70	41,28	82,55	57,15	25,40	-	2,5	PHP 4-B42TB		
101,6	4,0			111,8	4,4	A-1	1610	120,7	12,70	41,28	82,55	57,15	25,40	-	2,7	PHP 4-B44TB		
106,7	4,2			116,8	4,6	A-1	1610	125,7	12,70	41,28	82,55	57,15	25,40	-	3,2	PHP 4-B46TB		
111,8	4,4			121,9	4,8	A-1	1610	130,8	12,70	41,28	82,55	57,15	25,40	-	3,6	PHP 4-B48TB		
116,8	4,6			127,0	5,0	A-1	2517 <sup>1)</sup>	135,9	19,05	63,50	82,55	38,10	44,45	-	3,9	PHP 4-B50TB		
121,9	4,8			132,1	5,2	A-1	2517 <sup>1)</sup>	141,0	19,05	63,50	82,55	38,10	44,45	-	4,1	PHP 4-B52TB		
127,0	5,0			137,2	5,4	A-1	2517 <sup>1)</sup>	146,1	19,05	63,50	82,55	38,10	44,45	-	4,3	PHP 4-B54TB		
132,1	5,2			142,2	5,6	A-1	2517 <sup>1)</sup>	151,1	19,05	63,50	82,55	38,10	44,45	-	4,5	PHP 4-B56TB		
137,2	5,4			147,3	5,8	A-1	2517 <sup>1)</sup>	156,2	19,05	63,50	82,55	38,10	44,45	-	5,4	PHP 4-B58TB		
142,2	5,6			152,4	6,0	A-1	2517 <sup>1)</sup>	161,3	19,05	63,50	82,55	38,10	44,45	-	5,7	PHP 4-B60TB		
147,3	5,8			157,5	6,2	A-1	2517 <sup>1)</sup>	166,4	19,05	63,50	82,55	38,10	44,45	-	5,9	PHP 4-B62TB		
152,4	6,0			162,6	6,4	A-1	2517 <sup>1)</sup>	171,5	19,05	63,50	82,55	38,10	44,45	-	6,4	PHP 4-B64TB		
157,5	6,2			167,6	6,6	A-1	2517 <sup>1)</sup>	176,5	19,05	63,50	82,55	38,10	44,45	-	6,8	PHP 4-B66TB		
162,6	6,4			172,7	6,8	A-1	2517 <sup>1)</sup>	181,6	19,05	63,50	82,55	38,10	44,45	-	7,3	PHP 4-B68TB		
177,8	7,0			188,0	7,4	A-1	2517 <sup>1)</sup>	196,9	19,05	63,50	82,55	38,10	44,45	-	9,1	PHP 4-B74TB		
208,3	8,2			218,4	8,6	A-2	2517 <sup>1)</sup>	227,3	19,05	63,50	82,55	38,10	44,45	-	9,5	PHP 4-B86TB		
228,6	9,0			238,8	9,4	A-2	2517 <sup>1)</sup>	247,7	19,05	63,50	82,55	38,10	44,45	-	10,4	PHP 4-B94TB		
269,2	10,6			279,4	11,0	A-2	2517 <sup>1)</sup>	288,3	19,05	63,50	82,55	38,10	44,45	-	12,7	PHP 4-B110TB		
304,8	12,0			315,0	12,4	A-3	2517 <sup>1)</sup>	323,9	19,05	63,50	82,55	9,53	44,45	28,58	15,4	PHP 4-B124TB		
381,0	15,0			391,2	15,4	A-3	2517 <sup>1)</sup>	400,1	19,05	63,50	82,55	9,53	44,45	28,58	19,1	PHP 4-B154TB		
457,2	18,0			467,4	18,4	A-3	2517 <sup>1)</sup>	476,3	19,05	63,50	82,55	12,70	44,45	25,40	24,0	PHP 4-B184TB		

<sup>1)</sup> Taper bushing needs to conform to coarse thread series (UNC) of the ASME/ANSI standard. To complete designation, add U before bushing number and bore size at the end of designation, e.g. PHF TBU3535X70MM.

<sup>2)</sup> Mass does not include bushings.

# Classical V-belt pulleys

A/B taper bushed



Section	Number of grooves	Pitch diameter Belt A		Belt B		Pulley type	Bushing number	Dimensions				Mass <sup>2)</sup>	Designation			
		PD	PD	PD	PD			Outer diameter OD	B Min.	Max.	F			E	L	M
		mm	in.	mm	in.	mm				kg						
A/B	4	497.8	19.6	508.0	20.0	A-3	3020	516.9	31.75	76.20	82.55	12.70	50.80	19.05	28.6	PHP 4-B200TB
		624.8	24.6	635.0	25.0	A-3	3030	643.9	31.75	76.20	82.55	–	76.20	31.75	36.3	PHP 4-B250TB
		751.8	29.6	762.0	30.0	A-3	3030	770.9	31.75	76.20	82.55	–	76.20	31.75	45.4	PHP 4-B300TB
		955.0	37.6	965.2	38.0	A-3	3030	974.1	31.75	76.20	82.55	–	76.20	31.75	64.4	PHP 4-B380TB
A/B	5	76.2	3.0	86.4	3.4	A-1	1210	95.3	15.88	31.75	101.60	63.50	38.10	–	2.3	PHP 5-B34TB
		81.3	3.2	91.4	3.6	A-1	1210	100.3	15.88	31.75	101.60	63.50	38.10	–	2.5	PHP 5-B36TB
		86.4	3.4	96.5	3.8	A-1	1215	105.4	15.88	41.28	101.60	63.50	38.10	–	2.7	PHP 5-B38TB
		91.4	3.6	101.6	4.0	A-1	1215	110.5	15.88	41.28	101.60	63.50	38.10	–	3.0	PHP 5-B40TB
		96.5	3.8	106.7	4.2	A-1	1615	115.6	12.70	41.28	101.60	63.50	38.10	–	3.2	PHP 5-B42TB
		101.6	4.0	111.8	4.4	A-1	1615	120.7	12.70	41.28	101.60	63.50	38.10	–	3.6	PHP 5-B44TB
		106.7	4.2	116.8	4.6	A-1	1615	125.7	12.70	41.28	101.60	63.50	38.10	–	4.1	PHP 5-B46TB
		116.8	4.6	127.0	5.0	A-1	1615	135.9	12.70	41.28	101.60	22.23	38.10	–	4.8	PHP 5-B50TB
		121.9	4.8	132.1	5.2	A-1	1615	141.0	12.70	41.28	101.60	22.23	38.10	–	5.1	PHP 5-B52TB
		127.0	5.0	137.2	5.4	A-1	2517 <sup>3)</sup>	146.1	19.05	63.50	101.60	57.15	44.45	–	5.2	PHP 5-B54TB
		132.1	5.2	142.2	5.6	A-1	2517 <sup>3)</sup>	151.1	19.05	63.50	101.60	57.15	44.45	–	5.4	PHP 5-B56TB
		142.2	5.6	152.4	6.0	A-1	2517 <sup>3)</sup>	161.3	19.05	63.50	101.60	57.15	44.45	–	6.4	PHP 5-B60TB
		152.4	6.0	162.6	6.4	A-1	2517 <sup>3)</sup>	171.5	19.05	63.50	101.60	57.15	44.45	–	7.3	PHP 5-B64TB
		162.6	6.4	172.7	6.8	A-1	2517 <sup>3)</sup>	181.6	19.05	63.50	101.60	57.15	44.45	–	8.2	PHP 5-B68TB
		177.8	7.0	188.0	7.4	A-1	2517 <sup>3)</sup>	196.9	19.05	63.50	101.60	57.15	44.45	–	10.0	PHP 5-B74TB
		208.3	8.2	218.4	8.6	A-2	2517 <sup>3)</sup>	227.3	19.05	63.50	101.60	57.15	44.45	–	10.9	PHP 5-B86TB
		228.6	9.0	238.8	9.4	A-2	2517 <sup>3)</sup>	247.7	19.05	63.50	101.60	57.15	44.45	–	11.8	PHP 5-B94TB
		269.2	10.6	279.4	11.0	A-2	2517 <sup>3)</sup>	288.3	19.05	63.50	101.60	57.15	44.45	–	15.9	PHP 5-B110TB
		304.8	12.0	315.0	12.4	A-3	2517 <sup>3)</sup>	323.9	19.05	63.50	101.60	19.05	44.45	38.10	18.1	PHP 5-B124TB
		381.0	15.0	391.2	15.4	A-3	2517 <sup>3)</sup>	400.1	19.05	63.50	101.60	19.05	44.45	38.10	21.3	PHP 5-B154TB
457.2	18.0	467.4	18.4	A-3	2517 <sup>3)</sup>	476.3	19.05	63.50	101.60	19.05	44.45	38.10	23.6	PHP 5-B184TB		
497.8	19.6	508.0	20.0	A-3	3030	516.9	31.75	76.20	101.60	6.35	76.20	19.05	34.0	PHP 5-B200TB		
624.8	24.6	635.0	25.0	A-3	3030	643.9	31.75	76.20	101.60	6.35	76.20	19.05	36.7	PHP 5-B250TB		
751.8	29.6	762.0	30.0	A-3	3030	770.9	31.75	76.20	101.60	6.35	76.20	19.05	49.4	PHP 5-B300TB		
955.0	37.6	965.2	38.0	A-3	3030	974.1	31.75	76.20	101.60	6.35	76.20	19.05	71.7	PHP 5-B380TB		
A/B	6	96.5	3.8	106.7	4.2	A-1	1615	115.6	12.70	41.28	120.65	82.55	38.10	–	3.6	PHP 6-B42TB
		101.6	4.0	111.8	4.4	A-1	1615	120.7	12.70	41.28	120.65	82.55	38.10	–	4.1	PHP 6-B44TB
		106.7	4.2	116.8	4.6	A-1	1615	125.7	12.70	41.28	120.65	82.55	38.10	–	4.5	PHP 6-B46TB
		116.8	4.6	127.0	5.0	A-1	1615	135.9	12.70	41.28	120.65	31.75	38.10	50.80	5.4	PHP 6-B50TB
		121.9	4.8	132.1	5.2	A-1	1615	141.0	12.70	41.28	120.65	31.75	38.10	50.80	5.8	PHP 6-B52TB
		127.0	5.0	137.2	5.4	A-1	1615	146.1	12.70	41.28	120.65	31.75	38.10	50.80	6.2	PHP 6-B54TB
		132.1	5.2	142.2	5.6	A-1	1615	151.1	12.70	41.28	120.65	31.75	38.10	50.80	6.6	PHP 6-B56TB
		142.2	5.6	152.4	6.0	A-1	2517 <sup>3)</sup>	161.3	19.05	63.50	120.65	76.20	44.45	–	7.3	PHP 6-B60TB
		152.4	6.0	162.6	6.4	A-1	2517 <sup>3)</sup>	171.5	19.05	63.50	120.65	76.20	44.45	–	8.9	PHP 6-B64TB
		162.6	6.4	172.7	6.8	A-1	2517 <sup>3)</sup>	181.6	19.05	63.50	120.65	76.20	44.45	–	9.5	PHP 6-B68TB
		177.8	7.0	188.0	7.4	A-1	2517 <sup>3)</sup>	196.9	19.05	63.50	120.65	76.20	44.45	–	11.3	PHP 6-B74TB
		208.3	8.2	218.4	8.6	A-2	2517 <sup>3)</sup>	227.3	19.05	63.50	120.65	76.20	44.45	–	12.3	PHP 6-B86TB
		228.6	9.0	238.8	9.4	A-2	2517 <sup>3)</sup>	247.7	19.05	63.50	120.65	76.20	44.45	–	12.7	PHP 6-B94TB
		269.2	10.6	279.4	11.0	A-2	2517 <sup>3)</sup>	288.3	19.05	63.50	120.65	76.20	44.45	–	15.4	PHP 6-B110TB
		304.8	12.0	315.0	12.4	A-3	2517 <sup>3)</sup>	323.9	19.05	63.50	120.65	28.58	44.45	47.63	19.5	PHP 6-B124TB
		381.0	15.0	391.2	15.4	A-3	2517 <sup>3)</sup>	400.1	19.05	63.50	120.65	38.10	44.45	38.10	23.6	PHP 6-B154TB
		457.2	18.0	467.4	18.4	A-3	2517 <sup>3)</sup>	476.3	19.05	63.50	120.65	38.10	44.45	38.10	28.1	PHP 6-B184TB
		497.8	19.6	508.0	20.0	A-3	3030	516.9	31.75	76.20	120.65	12.70	76.20	31.75	38.6	PHP 6-B200TB
		624.8	24.6	635.0	25.0	A-3	3030	643.9	31.75	76.20	120.65	12.70	76.20	31.75	45.4	PHP 6-B250TB
		751.8	29.6	762.0	30.0	A-3	3030	770.9	31.75	76.20	120.65	12.70	76.20	31.75	58.6	PHP 6-B300TB
955.0	37.6	965.2	38.0	A-3	3030	974.1	31.75	76.20	120.65	12.70	76.20	31.75	76.2	PHP 6-B380TB		
A/B	8	127.0	5.0	137.2	5.4	A-1	2517 <sup>3)</sup>	146.1	19.05	63.50	158.75	47.63	44.45	66.68	7.3	PHP 8-B54TB
		132.1	5.2	142.2	5.6	A-1	2517 <sup>3)</sup>	151.1	19.05	63.50	158.75	47.63	44.45	66.68	7.7	PHP 8-B56TB
		142.2	5.6	152.4	6.0	A-1	2517 <sup>3)</sup>	161.3	19.05	63.50	158.75	47.63	44.45	66.68	8.6	PHP 8-B60TB

<sup>1)</sup> Taper bushing needs to conform to coarse thread series (UNC) of the ASME/ANSI standard. To complete designation, add U before bushing number and bore size at the end of designation, e.g. PHF TBU3535X70MM.

<sup>2)</sup> Mass does not include bushings.

# Classical V-belt pulleys

A/B taper bushed

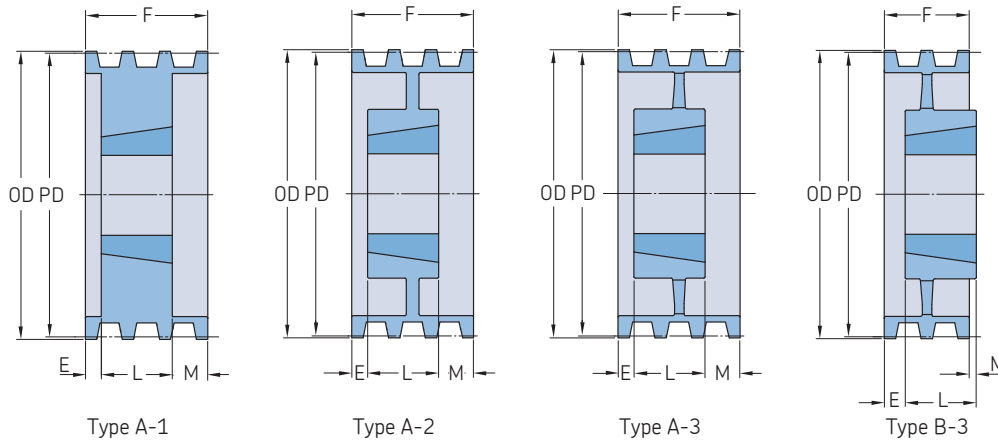
Section	Number of grooves	Pitch diameter Belt A		Belt B		Pulley type	Bushing number	Dimensions					Mass <sup>2)</sup>	Designation				
		PD	PD	PD	PD			Outer diameter OD	B Min.	Max.	F	E			L	M		
–	–	mm	in.	mm	in.			mm						kg				
A/B	8	152,4	6,0	162,6	6,4	A-1	2517 <sup>1)</sup>	171,5	19,05	63,50	158,75	47,63	44,45	66,68	9,5	PHP 8-B64TB		
		162,6	6,4	172,7	6,8	A-1	2517 <sup>1)</sup>	181,6	19,05	63,50	158,75	47,63	44,45	66,68	11,3	PHP 8-B68TB		
		177,8	7,0	188,0	7,4	A-1	2517 <sup>1)</sup>	196,9	19,05	63,50	158,75	47,63	44,45	66,68	13,2	PHP 8-B74TB		
		208,3	8,2	218,4	8,6	A-1	3030	227,3	31,75	76,20	158,75	25,40	76,20	57,15	16,8	PHP 8-B86TB		
		228,6	9,0	238,8	9,4	A-2	3030	252,7	31,75	76,20	158,75	25,40	76,20	57,15	18,6	PHP 8-B94TB		
		269,2	10,6	279,4	11,0	A-2	3030	288,3	31,75	76,20	158,75	25,40	76,20	57,15	23,1	PHP 8-B110TB		
		304,8	12,0	315,0	12,4	A-3	3030	323,9	31,75	76,20	158,75	25,40	76,20	57,15	25,4	PHP 8-B124TB		
		381,0	15,0	391,2	15,4	A-3	3030	400,1	31,75	76,20	158,75	25,40	76,20	57,15	31,3	PHP 8-B154TB		
		457,2	18,0	467,4	18,4	A-3	3030	476,3	31,75	76,20	158,75	25,40	76,20	57,15	44,9	PHP 8-B184TB		
		497,8	19,6	508,0	20,0	A-3	3030	516,9	31,75	76,20	158,75	25,40	76,20	57,15	52,2	PHP 8-B200TB		
		624,8	24,6	635,0	25,0	A-3	3535 <sup>1)</sup>	643,9	50,80	88,90	158,75	19,05	88,90	50,80	65,8	PHP 8-B250TB		
		751,8	29,6	762,0	30,0	A-3	3535 <sup>1)</sup>	770,9	50,80	88,90	158,75	19,05	88,90	50,80	77,1	PHP 8-B300TB		
		955,0	37,6	965,2	38,0	A-3	4040	974,1	44,45	101,60	158,75	28,58	101,60	28,58	117,9	PHP 8-B380TB		
		A/B	10	127,0	5,0	137,2	5,4	A-1	2517 <sup>1)</sup>	146,1	19,05	63,50	196,85	76,20	44,45	76,20	8,2	PHP 10-B54TB
				132,1	5,2	142,2	5,6	A-1	2517 <sup>1)</sup>	151,1	19,05	63,50	196,85	76,20	44,45	76,20	9,1	PHP 10-B56TB
				142,2	5,6	152,4	6,0	A-1	2517 <sup>1)</sup>	161,3	19,05	63,50	196,85	76,20	44,45	76,20	10,0	PHP 10-B60TB
152,4	6,0			162,6	6,4	A-1	2517 <sup>1)</sup>	171,5	19,05	63,50	196,85	76,20	44,45	76,20	11,6	PHP 10-B64TB		
162,6	6,4			172,7	6,8	A-1	2517 <sup>1)</sup>	181,6	19,05	63,50	196,85	76,20	44,45	76,20	12,7	PHP 10-B68TB		
177,8	7,0			188,0	7,4	A-1	2517 <sup>1)</sup>	196,9	19,05	63,50	196,85	76,20	44,45	76,20	15,9	PHP 10-B74TB		
208,3	8,2			218,4	8,6	A-1	3030	227,3	31,75	76,20	196,85	50,80	76,20	69,85	19,5	PHP 10-B86TB		
228,6	9,0			238,8	9,4	A-2	3030	252,7	31,75	76,20	196,85	50,80	76,20	69,85	20,9	PHP 10-B94TB		
269,2	10,6			279,4	11,0	A-2	3030	288,3	31,75	76,20	196,85	50,80	76,20	69,85	23,6	PHP 10-B110TB		

<sup>1)</sup> Taper bushing needs to conform to coarse thread series (UNC) of the ASME/ANSI standard. To complete designation, add U before bushing number and bore size at the end of designation, e.g. PHF TBU3535X70MM.

<sup>2)</sup> Mass does not include bushings.

# Classical V-belt pulleys

C taper bushed



Section	Number of grooves	Pitch diameter		Pulley type	Bushing number	Dimensions		B Min.	Max.	F	E	L	M	Mass <sup>2)</sup>	Designation
		PD				Outer diameter OD									
		mm	in.			mm									
C	2	177,8	7,0	A-1	2517 <sup>1)</sup>	188,0	19,05	63,50	60,33	15,88	44,45	–	6,8	PHP 2-C70TB	
		190,5	7,5	A-1	2517 <sup>1)</sup>	200,7	19,05	63,50	60,33	15,88	44,45	–	7,7	PHP 2-C75TB	
		203,2	8,0	A-1	2517 <sup>1)</sup>	213,4	19,05	63,50	60,33	15,88	44,45	–	9,1	PHP 2-C80TB	
		215,9	8,5	A-2	2517 <sup>1)</sup>	226,1	19,05	63,50	60,33	15,88	44,45	–	10,0	PHP 2-C85TB	
		228,6	9,0	A-2	2517 <sup>1)</sup>	238,8	19,05	63,50	60,33	15,88	44,45	–	10,4	PHP 2-C90TB	
		241,3	9,5	A-2	2517 <sup>1)</sup>	251,5	19,05	63,50	60,33	15,88	44,45	–	10,9	PHP 2-C95TB	
		254,0	10,0	A-2	2517 <sup>1)</sup>	264,2	19,05	63,50	60,33	15,88	44,45	–	11,3	PHP 2-C100TB	
		266,7	10,5	A-2	2517 <sup>1)</sup>	276,9	19,05	63,50	60,33	15,88	44,45	–	11,8	PHP 2-C105TB	
		279,4	11,0	A-2	2517 <sup>1)</sup>	289,6	19,05	63,50	60,33	15,88	44,45	–	12,3	PHP 2-C110TB	
		304,8	12,0	A-2	2517 <sup>1)</sup>	315,0	19,05	63,50	60,33	15,88	44,45	–	15,0	PHP 2-C120TB	
	330,2	13,0	A-3	2517 <sup>1)</sup>	340,4	19,05	63,50	60,33	15,88	44,45	–	15,9	PHP 2-C130TB		
	355,6	14,0	A-3	2517 <sup>1)</sup>	365,8	19,05	63,50	60,33	15,88	44,45	–	16,3	PHP 2-C140TB		
	406,4	16,0	A-3	2517 <sup>1)</sup>	416,6	19,05	63,50	60,33	15,88	44,45	–	19,1	PHP 2-C160TB		
	457,2	18,0	A-3	3020	467,4	31,75	76,20	60,33	–	50,80	9,53	19,1	PHP 2-C180TB		
	508,0	20,0	A-3	3020	518,2	31,75	76,20	60,33	–	50,80	9,53	20,4	PHP 2-C200TB		
	609,6	24,0	A-3	3020	619,8	31,75	76,20	60,33	–	50,80	9,53	32,7	PHP 2-C240TB		
	C	3	177,8	7,0	A-1	2517 <sup>1)</sup>	188,0	19,05	63,50	85,73	6,35	44,45	34,93	8,2	PHP 3-C70TB
			190,5	7,5	A-1	2517 <sup>1)</sup>	200,7	19,05	63,50	85,73	6,35	44,45	34,93	9,1	PHP 3-C75TB
			203,2	8,0	A-1	2517 <sup>1)</sup>	213,4	19,05	63,50	85,73	6,35	44,45	34,93	10,0	PHP 3-C80TB
			215,9	8,5	A-2	2517 <sup>1)</sup>	226,1	19,05	63,50	85,73	6,35	44,45	34,93	10,4	PHP 3-C85TB
228,6			9,0	A-2	2517 <sup>1)</sup>	238,8	19,05	63,50	85,73	6,35	44,45	34,93	10,9	PHP 3-C90TB	
241,3			9,5	A-2	2517 <sup>1)</sup>	251,5	19,05	63,50	85,73	6,35	44,45	34,93	12,3	PHP 3-C95TB	
254,0			10,0	A-2	2517 <sup>1)</sup>	264,2	19,05	63,50	85,73	6,35	44,45	34,93	13,2	PHP 3-C100TB	
266,7			10,5	A-2	2517 <sup>1)</sup>	276,9	19,05	63,50	85,73	6,35	44,45	34,93	14,5	PHP 3-C105TB	
279,4			11,0	A-2	2517 <sup>1)</sup>	289,6	19,05	63,50	85,73	6,35	44,45	34,93	15,9	PHP 3-C110TB	
304,8			12,0	A-2	3020	315,0	31,75	76,20	85,73	–	50,80	34,93	20,0	PHP 3-C120TB	
330,2		13,0	A-3	3020	340,4	31,75	76,20	85,73	–	50,80	34,93	22,2	PHP 3-C130TB		
355,6		14,0	A-3	3020	365,8	31,75	76,20	85,73	–	50,80	34,93	22,7	PHP 3-C140TB		
406,4		16,0	A-3	3020	416,6	31,75	76,20	85,73	–	50,80	34,93	29,0	PHP 3-C160TB		
457,2		18,0	A-3	3030	467,4	31,75	76,20	85,73	–	76,20	9,53	29,0	PHP 3-C180TB		
508,0		20,0	A-3	3030	518,2	31,75	76,20	85,73	–	76,20	9,53	35,4	PHP 3-C200TB		
609,6		24,0	A-3	3030	619,8	31,75	76,20	85,73	–	76,20	9,53	43,5	PHP 3-C240TB		
762,0		30,0	B-3	3535 <sup>1)</sup>	772,2	50,80	88,90	85,73	–	88,90	3,18	56,7	PHP 3-C300TB		
914,4		36,0	B-3	3535 <sup>1)</sup>	924,6	50,80	88,90	85,73	–	88,90	3,18	79,4	PHP 3-C360TB		
C		4	177,8	7,0	A-1	2517 <sup>1)</sup>	188,0	19,05	63,50	111,13	12,70	44,45	53,98	9,1	PHP 4-C70TB
			190,5	7,5	A-1	2517 <sup>1)</sup>	200,7	19,05	63,50	111,13	12,70	44,45	53,98	10,4	PHP 4-C75TB
	203,2		8,0	A-1	2517 <sup>1)</sup>	213,4	19,05	63,50	111,13	12,70	44,45	53,98	11,3	PHP 4-C80TB	
	215,9		8,5	A-2	2517 <sup>1)</sup>	226,1	19,05	63,50	111,13	12,70	44,45	53,98	11,8	PHP 4-C85TB	
	228,6		9,0	A-2	2517 <sup>1)</sup>	238,8	19,05	63,50	111,13	12,70	44,45	53,98	12,3	PHP 4-C90TB	
	241,3		9,5	A-2	2517 <sup>1)</sup>	251,5	19,05	63,50	111,13	12,70	44,45	53,98	16,3	PHP 4-C95TB	
	254,0		10,0	A-2	2517 <sup>1)</sup>	264,2	19,05	63,50	111,13	12,70	44,45	53,98	17,7	PHP 4-C100TB	
	266,7		10,5	A-2	2517 <sup>1)</sup>	276,9	19,05	63,50	111,13	12,70	44,45	53,98	19,1	PHP 4-C105TB	
	279,4		11,0	A-2	2517 <sup>1)</sup>	289,6	19,05	63,50	111,13	12,70	44,45	53,98	20,4	PHP 4-C110TB	
	304,8		12,0	A-2	2517 <sup>1)</sup>	315,0	19,05	76,20	111,13	–	76,20	34,93	21,3	PHP 4-C120TB	
	330,2	13,0	A-3	3030	340,4	31,75	76,20	111,13	–	76,20	34,93	23,1	PHP 4-C130TB		
	355,6	14,0	A-3	3030	365,8	31,75	76,20	111,13	–	76,20	34,93	24,5	PHP 4-C140TB		
	406,4	16,0	A-3	3030	416,6	31,75	76,20	111,13	–	76,20	34,93	32,2	PHP 4-C160TB		
	457,2	18,0	A-3	3030	467,4	31,75	76,20	111,13	–	76,20	34,93	36,7	PHP 4-C180TB		
	508,0	20,0	A-3	3030	518,2	31,75	76,20	111,13	–	76,20	34,93	38,1	PHP 4-C200TB		
	609,6	24,0	A-3	3030	619,8	31,75	76,20	111,13	–	76,20	34,93	52,6	PHP 4-C240TB		
	762,0	30,0	A-3	3535 <sup>1)</sup>	772,2	50,80	88,90	111,13	–	88,90	22,23	74,4	PHP 4-C300TB		
	914,4	36,0	A-3	3535 <sup>1)</sup>	924,6	50,80	88,90	111,13	–	88,90	22,23	87,1	PHP 4-C360TB		
	1117,6	44,0	A-3	4040	1127,8	44,45	101,60	111,13	–	101,60	9,53	127,9	PHP 4-C440TB		

<sup>1)</sup> Taper bushing needs to conform to coarse thread series (UNC) of the ASME/ANSI standard. To complete designation, add U before bushing number and bore size at the end of designation, e.g. PHF TBU3535X70MM.

<sup>2)</sup> Mass does not include bushings.

# Classical V-belt pulleys

## C taper bushed

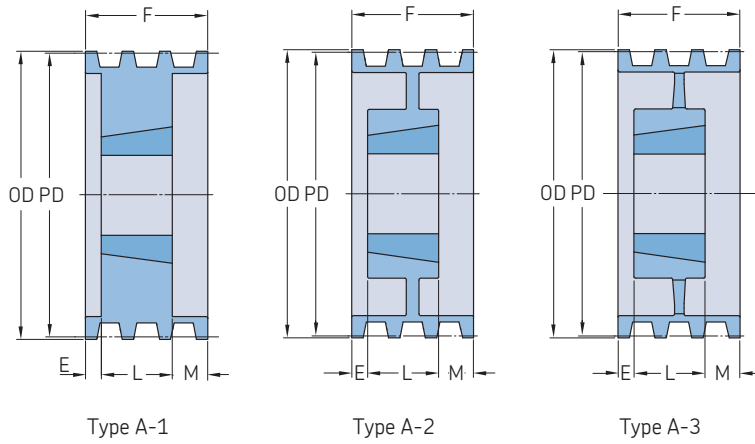
Section	Number of grooves	Pitch diameter		Pulley type	Bushing number	Dimensions							Mass <sup>2)</sup>	Designation	
		PD				Outer diameter OD	B Min.	Max.	F	E	L	M			
-	-	mm	in.	-	-								mm		
C	5	177,8	7.0	A-1	2517 <sup>2)</sup>	188,0	19,05	63,50	136,53	38,10	44,45	53,98	10,4	PHP 5-C70TB	
		190,5	7.5	A-1	2517 <sup>2)</sup>	200,7	19,05	63,50	136,53	38,10	44,45	53,98	11,8	PHP 5-C75TB	
		203,2	8.0	A-1	2517 <sup>2)</sup>	213,4	19,05	63,50	136,53	38,10	44,45	53,98	13,6	PHP 5-C80TB	
		215,9	8.5	A-1	2517 <sup>2)</sup>	226,1	19,05	63,50	136,53	38,10	44,45	53,98	15,4	PHP 5-C85TB	
		228,6	9.0	A-2	2517 <sup>2)</sup>	238,8	19,05	63,50	136,53	38,10	44,45	53,98	15,9	PHP 5-C90TB	
		241,3	9.5	A-2	2517 <sup>2)</sup>	251,5	19,05	63,50	136,53	38,10	44,45	53,98	16,3	PHP 5-C95TB	
		254,0	10.0	A-2	2517 <sup>2)</sup>	264,2	19,05	63,50	136,53	38,10	44,45	53,98	17,7	PHP 5-C100TB	
		266,7	10.5	A-2	2517 <sup>2)</sup>	276,9	19,05	63,50	136,53	38,10	44,45	53,98	19,1	PHP 5-C105TB	
		279,4	11.0	A-2	2517 <sup>2)</sup>	289,6	19,05	63,50	136,53	38,10	44,45	53,98	19,5	PHP 5-C110TB	
		304,8	12.0	A-2	3030	315,0	31,75	76,20	136,53	12,70	76,20	47,63	26,3	PHP 5-C120TB	
		330,2	13.0	A-3	3030	340,4	31,75	76,20	136,53	12,70	76,20	47,63	28,6	PHP 5-C130TB	
		355,6	14.0	A-3	3030	365,8	31,75	76,20	136,53	12,70	76,20	47,63	29,5	PHP 5-C140TB	
	406,4	16.0	A-3	3030	416,6	31,75	76,20	136,53	12,70	76,20	47,63	31,8	PHP 5-C160TB		
	457,2	18.0	A-3	3030	467,4	31,75	76,20	136,53	12,70	76,20	47,63	37,7	PHP 5-C180TB		
	508,0	20.0	A-3	3535 <sup>2)</sup>	518,2	50,80	88,90	136,53	-	88,90	47,63	49,9	PHP 5-C200TB		
	609,6	24.0	A-3	3535 <sup>2)</sup>	619,8	50,80	88,90	136,53	-	88,90	47,63	62,6	PHP 5-C240TB		
	762,0	30.0	A-3	3535 <sup>2)</sup>	772,2	50,80	88,90	136,53	-	88,90	47,63	79,8	PHP 5-C300TB		
	914,4	36.0	A-3	4040	924,6	44,45	101,60	136,53	6,35	101,60	28,58	110,7	PHP 5-C360TB		
	1117,6	44.0	A-3	4040	1127,8	44,45	101,60	136,53	6,35	101,60	28,58	130,6	PHP 5-C440TB		
	C	6	177,8	7.0	A-1	3030	188,0	31,75	76,20	161,93	25,40	76,20	60,33	13,6	PHP 6-C70TB
			190,5	7.5	A-1	3030	200,7	31,75	76,20	161,93	25,40	76,20	60,33	14,1	PHP 6-C75TB
			203,2	8.0	A-1	3030	213,4	31,75	76,20	161,93	25,40	76,20	60,33	15,9	PHP 6-C80TB
			215,9	8.5	A-1	3030	226,1	31,75	76,20	161,93	25,40	76,20	60,33	18,1	PHP 6-C85TB
			228,6	9.0	A-1	3030	238,8	31,75	76,20	161,93	25,40	76,20	60,33	21,3	PHP 6-C90TB
			241,3	9.5	A-1	3030	251,5	31,75	76,20	161,93	25,40	76,20	60,33	24,0	PHP 6-C95TB
			254,0	10.0	A-1	3030	264,2	31,75	76,20	161,93	25,40	76,20	60,33	25,9	PHP 6-C100TB
			266,7	10.5	A-2	3030	276,9	31,75	76,20	161,93	25,40	76,20	60,33	26,3	PHP 6-C105TB
279,4			11.0	A-2	3030	289,6	31,75	76,20	161,93	25,40	76,20	60,33	29,9	PHP 6-C110TB	
304,8			12.0	A-2	3030	315,0	31,75	76,20	161,93	25,40	76,20	60,33	31,8	PHP 6-C120TB	
330,2			13.0	A-3	3030	340,4	31,75	76,20	161,93	25,40	76,20	60,33	34,0	PHP 6-C130TB	
355,6			14.0	A-3	3535 <sup>2)</sup>	365,8	50,80	88,90	161,93	12,70	88,90	60,33	36,3	PHP 6-C140TB	
406,4		16.0	A-3	3535 <sup>2)</sup>	416,6	50,80	88,90	161,93	12,70	88,90	60,33	39,5	PHP 6-C160TB		
457,2		18.0	A-3	3535 <sup>2)</sup>	467,4	50,80	88,90	161,93	12,70	88,90	60,33	46,3	PHP 6-C180TB		
508,0		20.0	A-3	3535 <sup>2)</sup>	518,2	50,80	88,90	161,93	12,70	88,90	60,33	57,2	PHP 6-C200TB		
609,6		24.0	A-3	3535 <sup>2)</sup>	619,8	50,80	88,90	161,93	12,70	88,90	60,33	68,0	PHP 6-C240TB		
762,0		30.0	A-3	4040	772,2	44,45	101,60	161,93	25,40	101,60	34,93	102,5	PHP 6-C300TB		
914,4		36.0	A-3	4040	924,6	44,45	101,60	161,93	25,40	101,60	34,93	122,5	PHP 6-C360TB		
1117,6		44.0	A-3	4040	1127,8	44,45	101,60	161,93	25,40	101,60	34,93	145,2	PHP 6-C440TB		
C		8	203,2	8.0	A-1	3030	213,4	31,75	76,20	212,73	50,80	76,20	85,73	20,4	PHP 8-C80TB
			215,9	8.5	A-1	3030	226,1	31,75	76,20	212,73	50,80	76,20	85,73	21,3	PHP 8-C85TB
			228,6	9.0	A-1	3535 <sup>2)</sup>	238,8	50,80	88,90	212,73	38,10	88,90	85,73	29,0	PHP 8-C90TB
			241,3	9.5	A-1	3535 <sup>2)</sup>	251,5	50,80	88,90	212,73	38,10	88,90	85,73	30,4	PHP 8-C95TB
			254,0	10.0	A-1	3535 <sup>2)</sup>	264,2	50,80	88,90	212,73	38,10	88,90	85,73	31,8	PHP 8-C100TB
			266,7	10.5	A-1	3535 <sup>2)</sup>	276,9	50,80	88,90	212,73	38,10	88,90	85,73	38,1	PHP 8-C105TB
		279,4	11.0	A-1	3535 <sup>2)</sup>	289,6	50,80	88,90	212,73	38,10	88,90	85,73	39,5	PHP 8-C110TB	
		304,8	12.0	A-2	3535 <sup>2)</sup>	315,0	50,80	88,90	212,73	38,10	88,90	85,73	40,8	PHP 8-C120TB	
	330,2	13.0	A-2	3535 <sup>2)</sup>	340,4	50,80	88,90	212,73	38,10	88,90	85,73	44,0	PHP 8-C130TB		
	355,6	14.0	A-2	3535 <sup>2)</sup>	365,8	50,80	88,90	212,73	38,10	88,90	85,73	47,6	PHP 8-C140TB		
	406,4	16.0	A-3	3535 <sup>2)</sup>	416,6	50,80	88,90	212,73	38,10	88,90	85,73	52,2	PHP 8-C160TB		
	457,2	18.0	A-3	4040	467,4	44,45	101,60	212,73	38,10	101,60	73,03	62,1	PHP 8-C180TB		
	508,0	20.0	A-3	4040	518,2	44,45	101,60	212,73	38,10	101,60	73,03	81,7	PHP 8-C200TB		
	609,6	24.0	A-3	4040	619,8	44,45	101,60	212,73	38,10	101,60	73,03	93,0	PHP 8-C240TB		
	762,0	30.0	A-3	4040	772,2	44,45	101,60	212,73	38,10	101,60	73,03	119,3	PHP 8-C300TB		
	914,4	36.0	A-3	4545	924,6	57,15	114,30	212,73	31,75	114,30	66,68	155,6	PHP 8-C360TB		
	1117,6	44.0	A-3	4545	1127,8	57,15	114,30	212,73	31,75	114,30	66,68	196,0	PHP 8-C440TB		
	C	10	228,6	9.0	A-1	4545	238,8	57,15	114,30	263,53	38,10	114,30	111,13	25,9	PHP 10-C90TB
241,3			9.5	A-1	4545	251,5	57,15	114,30	263,53	38,10	114,30	111,13	29,9	PHP 10-C95TB	
254,0			10.0	A-1	4545	264,2	57,15	114,30	263,53	38,10	114,30	111,13	34,9	PHP 10-C100TB	
266,7			10.5	A-1	4545	276,9	57,15	114,30	263,53	38,10	114,30	111,13	39,5	PHP 10-C105TB	
279,4			11.0	A-1	4545	289,6	57,15	114,30	263,53	38,10	114,30	111,13	44,5	PHP 10-C110TB	
304,8		12.0	A-1	4545	315,0	57,15	114,30	263,53	38,10	114,30	111,13	54,9	PHP 10-C120TB		
330,2		13.0	A-1	4545	340,4	57,15	114,30	263,53	50,80	114,30	98,43	66,2	PHP 10-C130TB		
355,6		14.0	A-2	4545	365,8	57,15	114,30	263,53	50,80	114,30	98,43	78,5	PHP 10-C140TB		
406,4		16.0	A-2	4545	416,6	57,15	114,30	263,53	50,80	114,30	98,43	105,7	PHP 10-C160TB		
457,2		18.0	A-2	4545	467,4	57,15	114,30	263,53	50,80	114,30	98,43	79,8	PHP 10-C180TB		
508,0		20.0	A-3	4545	518,2	57,15	114,30	263,53	50,80	114,30	98,43	91,2	PHP 10-C200TB		
609,6		24.0	A-3	4545	619,8	57,15	114,30	263,53	50,80	114,30	98,43	110,2	PHP 10-C240TB		
762,0		30.0	A-3	4545	772,2	57,15	114,30	263,53	50,80	114,30	98,43	145,2	PHP 10-C300TB		
914,4		36.0	A-3	4545	924,6	57,15	114,30	263,53	50,80	114,30	98,43	210,5	PHP 10-C360TB		
1117,6		44.0	A-3	4545	1127,8	57,15	114,30	263,53	50,80	114,30	98,43	230,4	PHP 10-C440TB		
C	12	228,6	9.0	A-1	4040	238,8	44,45	101,60	314,33	88,90	101,60	123,83	29,5	PHP 12-C90TB	
		241,3	9.5	A-1	4040	251,5	44,45	101,60	314,33	88,90	101,60	123,83	34,0	PHP 12-C95TB	
		254,0	10.0	A-1	4040	264,2	44,45	101,60	314,33	88,90	101,60	123,83	38,6	PHP 12-C100TB	

<sup>1)</sup> Taper bushing needs to conform to coarse thread series (UNC) of the ASME/ANSI standard. To complete designation, add U before bushing number and bore size at the end of designation, e.g. PHP TBU3535X70MM.

<sup>2)</sup> Mass does not include bushings.

# Classical V-belt pulleys

C taper bushed | D taper bushed



Section	Number of grooves	Pitch diameter		Pulley type	Bushing number	Dimensions		F	E	L	M	Mass <sup>2)</sup>	Designation			
		PD				Outer diameter	B									
		mm	in.			mm	Min.	Max.				kg				
C	12	266,7	10.5	A-1	4040	276,9	44,45	101,60	314,33	88,90	101,60	123,83	43,1	PHP 12-C105TB		
		279,4	11.0	A-1	4040	289,6	44,45	101,60	314,33	88,90	101,60	123,83	47,2	PHP 12-C110TB		
		304,8	12.0	A-1	4040	315,0	44,45	101,60	314,33	88,90	101,60	123,83	57,2	PHP 12-C120TB		
		330,2	13.0	A-1	4545	340,4	57,15	114,30	314,33	76,20	114,30	123,83	70,8	PHP 12-C130TB		
		355,6	14.0	A-1	4545	365,8	57,15	114,30	314,33	76,20	114,30	123,83	83,5	PHP 12-C140TB		
D	4	304,8	12.0	A-2	3535 <sup>1)</sup>	320,0	50,80	88,90	153,99	19,05	88,90	46,04	28,6	PHP 4-D120TB		
		330,2	13.0	A-2	3535 <sup>1)</sup>	345,4	50,80	88,90	153,99	19,05	88,90	46,04	33,1	PHP 4-D130TB		
		342,9	13.5	A-2	3535 <sup>1)</sup>	358,1	50,80	88,90	153,99	19,05	88,90	46,04	35,4	PHP 4-D135TB		
		355,6	14.0	A-2	3535 <sup>1)</sup>	370,8	50,80	88,90	153,99	19,05	88,90	46,04	37,7	PHP 4-D140TB		
		368,3	14.5	A-2	3535 <sup>1)</sup>	383,5	50,80	88,90	153,99	19,05	88,90	46,04	42,6	PHP 4-D145TB		
		381,0	15.0	A-2	3535 <sup>1)</sup>	396,2	50,80	88,90	153,99	19,05	88,90	46,04	42,6	PHP 4-D150TB		
		393,7	15.5	A-2	3535 <sup>1)</sup>	408,9	50,80	88,90	153,99	19,05	88,90	46,04	44,9	PHP 4-D155TB		
		406,4	16.0	A-2	3535 <sup>1)</sup>	421,6	50,80	88,90	153,99	19,05	88,90	46,04	47,2	PHP 4-D160TB		
		457,2	18.0	A-3	3535 <sup>1)</sup>	472,4	50,80	88,90	153,99	19,05	88,90	46,04	49,4	PHP 4-D180TB		
		558,8	22.0	A-3	4040	574,0	44,45	101,60	153,99	19,05	101,60	33,34	64,4	PHP 4-D220TB		
		685,8	27.0	A-3	4040	701,0	44,45	101,60	153,99	19,05	101,60	33,34	82,6	PHP 4-D270TB		
		D	5	304,8	12.0	A-1	4040	320,0	44,45	101,60	190,50	6,35	101,60	69,85	37,2	PHP 5-D120TB
				330,2	13.0	A-2	4040	345,4	44,45	101,60	190,50	19,05	101,60	69,85	39,5	PHP 5-D130TB
342,9	13.5			A-2	4040	358,1	44,45	101,60	190,50	19,05	101,60	69,85	41,7	PHP 5-D135TB		
355,6	14.0			A-2	4040	370,8	44,45	101,60	190,50	19,05	101,60	69,85	44,0	PHP 5-D140TB		
368,3	14.5			A-2	4040	383,5	44,45	101,60	190,50	19,05	101,60	69,85	46,3	PHP 5-D145TB		
381,0	15.0			A-2	4040	396,2	44,45	101,60	190,50	19,05	101,60	69,85	48,5	PHP 5-D150TB		
393,7	15.5			A-2	4040	408,9	44,45	101,60	190,50	19,05	101,60	69,85	50,8	PHP 5-D155TB		
406,4	16.0			A-2	4040	421,6	44,45	101,60	190,50	19,05	101,60	69,85	50,8	PHP 5-D160TB		
457,2	18.0			A-3	4040	472,4	44,45	101,60	190,50	25,40	101,60	63,50	59,9	PHP 5-D180TB		
558,8	22.0			A-3	4040	574,0	44,45	101,60	190,50	25,40	101,60	63,50	73,5	PHP 5-D220TB		
685,8	27.0			A-3	4040	701,0	44,45	101,60	190,50	25,40	101,60	63,50	93,9	PHP 5-D270TB		
D	6			304,8	12.0	A-1	4040	320,0	44,45	101,60	227,01	25,40	101,60	100,01	45,4	PHP 6-D120TB
				330,2	13.0	A-2	4040	345,4	44,45	101,60	227,01	38,10	101,60	87,31	45,4	PHP 6-D130TB
		342,9	13.5	A-2	4040	358,1	44,45	101,60	227,01	38,10	101,60	87,31	48,5	PHP 6-D135TB		
		355,6	14.0	A-2	4040	370,8	44,45	101,60	227,01	38,10	101,60	87,31	50,8	PHP 6-D140TB		
		368,3	14.5	A-2	4040	383,5	44,45	101,60	227,01	38,10	101,60	87,31	53,1	PHP 6-D145TB		
		381,0	15.0	A-2	4040	396,2	44,45	101,60	227,01	38,10	101,60	87,31	55,3	PHP 6-D150TB		
		393,7	15.5	A-2	4040	408,9	44,45	101,60	227,01	38,10	101,60	87,31	57,6	PHP 6-D155TB		
		406,4	16.0	A-2	4040	421,6	44,45	101,60	227,01	38,10	101,60	87,31	79,4	PHP 6-D160TB		
		457,2	18.0	A-2	4040	472,4	44,45	101,60	227,01	38,10	101,60	87,31	83,9	PHP 6-D180TB		
		558,8	22.0	A-3	4040	574,0	44,45	101,60	227,01	38,10	101,60	87,31	95,3	PHP 6-D220TB		
		685,8	27.0	A-3	4545	701,0	57,15	114,30	227,01	44,45	114,30	68,26	117,9	PHP 6-D270TB		
		838,2	33.0	A-3	4545	853,4	57,15	114,30	227,01	44,45	114,30	68,26	154,2	PHP 6-D330TB		
		D	8	304,8	12.0	A-1	4545	320,0	57,15	114,30	300,04	12,70	114,30	173,04	56,7	PHP 8-D120TB
330,2	13.0			A-1	4545	345,4	57,15	114,30	300,04	12,70	114,30	173,04	70,3	PHP 8-D130TB		
342,9	13.5			A-2	4545	358,1	57,15	114,30	300,04	25,40	114,30	160,34	68,0	PHP 8-D135TB		
355,6	14.0			A-1	4545	370,8	57,15	114,30	300,04	25,40	114,30	160,34	70,3	PHP 8-D140TB		
368,3	14.5			A-2	4545	383,5	57,15	114,30	300,04	50,80	114,30	134,94	70,3	PHP 8-D145TB		
381,0	15.0			A-2	4545	396,2	57,15	114,30	300,04	50,80	114,30	134,94	61,2	PHP 8-D150TB		
393,7	15.5			A-2	4545	408,9	57,15	114,30	300,04	50,80	114,30	134,94	74,8	PHP 8-D155TB		
406,4	16.0			A-2	4545	421,6	57,15	114,30	300,04	50,80	114,30	134,94	74,8	PHP 8-D160TB		
457,2	18.0			A-2	4545	472,4	57,15	114,30	300,04	69,85	114,30	115,89	81,7	PHP 8-D180TB		
558,8	22.0			A-3	4545	574,0	57,15	114,30	300,04	69,85	114,30	115,89	124,7	PHP 8-D220TB		
685,8	27.0			A-3	4545	701,0	57,15	114,30	300,04	69,85	114,30	115,89	156,5	PHP 8-D270TB		
838,2	33.0			A-3	4545	853,4	57,15	114,30	300,04	69,85	114,30	115,89	206,4	PHP 8-D330TB		

<sup>1)</sup> Taper bushing needs to conform to coarse thread series (UNC) of the ASME/ANSI standard. To complete designation, add U before bushing number and bore size at the end of designation, e.g. PHF TBU3535X70MM.

<sup>2)</sup> Mass does not include bushings.

# Classical V-belt pulleys

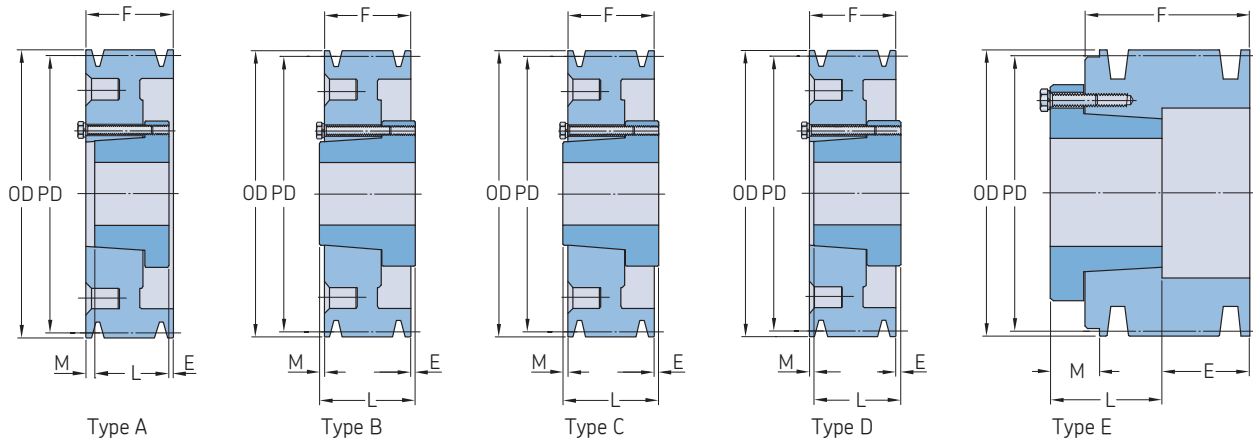
D taper bushed

Section	Number of grooves	Pitch diameter		Pulley type	Bushing number	Dimensions						Mass <sup>1)</sup>	Designation	
		PD				Outer diameter OD	B Min.	Max.	F	E	L			M
–	–	mm	in.	–	–	mm						kg	–	
D	10	304,8	12.0	A-1	4545	320,0	57,15	114,30	373,06	60,33	114,30	198,44	63,5	PHP 10-D120TB
		330,2	13.0	A-1	4545	345,4	57,15	114,30	373,06	60,33	114,30	198,44	77,1	PHP 10-D130TB
		342,9	13.5	A-2	4545	358,1	57,15	114,30	373,06	60,33	114,30	198,44	77,1	PHP 10-D135TB
		355,6	14.0	A-2	4545	370,8	57,15	114,30	373,06	60,33	114,30	198,44	79,4	PHP 10-D140TB
		368,3	14.5	A-2	4545	383,5	57,15	114,30	373,06	60,33	114,30	198,44	81,7	PHP 10-D145TB
		381,0	15.0	A-2	4545	396,2	57,15	114,30	373,06	60,33	114,30	198,44	88,5	PHP 10-D150TB
		393,7	15.5	A-2	4545	408,9	57,15	114,30	373,06	60,33	114,30	198,44	79,4	PHP 10-D155TB
		406,4	16.0	A-2	4545	421,6	57,15	114,30	373,06	60,33	114,30	198,44	88,5	PHP 10-D160TB
		457,2	18.0	A-2	4545	472,4	57,15	114,30	373,06	101,60	114,30	157,16	88,5	PHP 10-D180TB
		558,8	22.0	A-3	4545	574,0	57,15	114,30	373,06	101,60	114,30	157,16	154,2	PHP 10-D220TB
		685,8	27.0	A-3	4545	701,0	57,15	114,30	373,06	101,60	114,30	157,16	188,2	PHP 10-D270TB
		838,2	33.0	A-3	4545	853,4	57,15	114,30	373,06	107,95	114,30	150,81	220,0	PHP 10-D330TB

<sup>1)</sup> Mass does not include bushings.

# Classical V-belt pulleys

A/B QD bushed



Section	Number of grooves	Pitch diameter Belt A		Belt B		Pulley type <sup>1)</sup>	Bushing number	Dimensions			L	M	Mass <sup>2)</sup>	Designation				
		PD	PD	PD	PD			Outer diameter OD	Bore Min.	Max.					E	F		
		mm	in.	mm	in.			mm					kg					
A/B	1	76.2	3.0	86.4	3.4	E-1	SH	95,25	12,70	41,28	5,56	22,23	33,34	16,67	0,9	PHP 1-B34-SH		
		81.3	3.2	91.4	3.6	D-1	SH	100,33	12,70	41,28	15,08	22,23	33,34	3,97	1,0	PHP 1-B36-SH		
		86.4	3.4	96.5	3.8	D-1	SH	105,41	12,70	41,28	15,08	22,23	33,34	3,97	1,1	PHP 1-B38-SH		
		91.4	3.6	101.6	4.0	C-1	SH	110,49	12,70	41,28	8,73	22,23	33,34	2,38	1,2	PHP 1-B40-SH		
		96.5	3.8	106.7	4.2	C-1	SH	115,57	12,70	41,28	8,73	22,23	33,34	2,38	1,3	PHP 1-B42-SH		
		101.6	4.0	111.8	4.4	C-1	SH	120,65	12,70	41,28	8,73	22,23	33,34	2,38	1,5	PHP 1-B44-SH		
		106.7	4.2	116.8	4.6	C-1	SDS	125,73	12,70	50,80	8,73	22,23	33,34	2,38	1,8	PHP 1-B46-SDS		
		111.8	4.4	121.9	4.8	C-1	SDS	130,81	12,70	50,80	8,73	22,23	33,34	2,38	2,0	PHP 1-B48-SDS		
		116.8	4.6	127.0	5.0	C-1	SDS	135,89	12,70	50,80	8,73	22,23	33,34	2,38	2,1	PHP 1-B50-SDS		
		121.9	4.8	132.1	5.2	C-1	SDS	140,97	12,70	50,80	8,73	22,23	33,34	2,38	2,3	PHP 1-B52-SDS		
		127.0	5.0	137.2	5.4	C-1	SDS	146,05	12,70	50,80	8,73	22,23	33,34	2,38	2,4	PHP 1-B54-SDS		
		132.1	5.2	142.2	5.6	C-1	SDS	151,13	12,70	50,80	8,73	22,23	33,34	2,38	2,5	PHP 1-B56-SDS		
		137.2	5.4	147.3	5.8	C-2	SDS	156,21	12,70	50,80	8,73	22,23	33,34	2,38	2,7	PHP 1-B58-SDS		
		142.2	5.6	152.4	6.0	C-2	SDS	161,29	12,70	50,80	8,73	22,23	33,34	2,38	2,8	PHP 1-B60-SDS		
		147.3	5.8	157.5	6.2	C-2	SDS	166,37	12,70	50,80	8,73	22,23	33,34	2,38	3,0	PHP 1-B62-SDS		
		152.4	6.0	162.6	6.4	C-2	SDS	171,45	12,70	50,80	8,73	22,23	33,34	2,38	3,1	PHP 1-B64-SDS		
		157.5	6.2	167.6	6.6	C-2	SDS	176,53	12,70	50,80	8,73	22,23	33,34	2,38	3,3	PHP 1-B66-SDS		
		162.6	6.4	172.7	6.8	C-3	SDS	181,61	12,70	50,80	8,73	22,23	33,34	2,38	3,4	PHP 1-B68-SDS		
		167.6	6.6	177.8	7.0	C-3	SDS	186,69	12,70	50,80	8,73	22,23	33,34	2,38	3,5	PHP 1-B70-SDS		
		177.8	7.0	188.0	7.4	D-3	SDS	196,85	12,70	50,80	13,49	25,40	33,34	5,56	4,0	PHP 1-B74-SDS		
		193.0	7.6	203.2	8.0	D-3	SDS	212,09	12,70	50,80	13,49	25,40	33,34	5,56	4,4	PHP 1-B80-SDS		
		208.3	8.2	218.4	8.6	D-3	SDS	227,33	12,70	50,80	13,49	25,40	33,34	5,56	4,5	PHP 1-B86-SDS		
		228.6	9.0	238.8	9.4	D-3	SDS	247,65	12,70	50,80	13,49	25,40	33,34	5,56	4,8	PHP 1-B94-SDS		
		269.2	10.6	279.4	11.0	D-3	SDS	288,29	12,70	50,80	13,49	25,40	33,34	5,56	5,0	PHP 1-B110-SDS		
		304.8	12.0	315.0	12.4	D-3	SDS	323,85	12,70	50,80	13,49	25,40	33,34	5,56	5,4	PHP 1-B124-SDS		
		335.3	13.2	345.4	13.6	D-3	SDS	354,33	12,70	50,80	13,49	25,40	33,34	5,56	6,4	PHP 1-B136-SDS		
		381.0	15.0	391.2	15.4	C-3	SK	400,05	12,70	66,68	16,67	25,40	49,21	7,14	7,3	PHP 1-B154-SK		
		396.2	15.6	406.4	16.0	C-3	SK	415,29	12,70	66,68	16,67	25,40	49,21	7,14	7,5	PHP 1-B160-SK		
		457.2	18.0	467.4	18.4	C-3	SK	476,25	12,70	66,68	16,67	25,40	49,21	7,14	8,2	PHP 1-B184-SK		
		497.8	19.6	508.0	20.0	C-3	SK	516,89	12,70	66,68	16,67	25,40	49,21	7,14	9,1	PHP 1-B200-SK		
		A/B	2	76.2	3.0	86.4	3.4	E-1	SH	95,25	12,70	41,28	27,78	44,45	33,34	16,67	1,5	PHP 2-B34-SH
				81.3	3.2	91.4	3.6	D-1	SH	100,33	12,70	41,28	11,91	44,45	33,34	23,02	1,5	PHP 2-B36-SH
				86.4	3.4	96.5	3.8	D-1	SH	105,41	12,70	41,28	11,91	44,45	33,34	23,02	1,8	PHP 2-B38-SH
				91.4	3.6	101.6	4.0	A-1	SH	110,49	12,70	41,28	0,79	44,45	33,34	10,32	1,9	PHP 2-B40-SH
				96.5	3.8	106.7	4.2	A-1	SH	115,57	12,70	41,28	0,79	44,45	33,34	10,32	2,0	PHP 2-B42-SH
				101.6	4.0	111.8	4.4	A-1	SH	120,65	12,70	41,28	0,79	44,45	33,34	10,32	2,1	PHP 2-B44-SH
				106.7	4.2	116.8	4.6	A-1	SDS	125,73	12,70	50,80	0,79	44,45	33,34	10,32	2,3	PHP 2-B46-SDS
				111.8	4.4	121.9	4.8	A-1	SDS	130,81	12,70	50,80	0,79	44,45	33,34	10,32	2,5	PHP 2-B48-SDS
				116.8	4.6	127.0	5.0	A-1	SDS	135,89	12,70	50,80	0,79	44,45	33,34	10,32	2,7	PHP 2-B50-SDS
				121.9	4.8	132.1	5.2	A-1	SDS	140,97	12,70	50,80	0,79	44,45	33,34	10,32	2,9	PHP 2-B52-SDS
				127.0	5.0	137.2	5.4	A-1	SDS	146,05	12,70	50,80	0,79	44,45	33,34	10,32	3,0	PHP 2-B54-SDS
				132.1	5.2	142.2	5.6	A-2	SDS	151,13	12,70	50,80	0,79	44,45	33,34	10,32	3,1	PHP 2-B56-SDS
137.2	5.4			147.3	5.8	A-2	SDS	156,21	12,70	50,80	0,79	44,45	33,34	10,32	3,3	PHP 2-B58-SDS		
142.2	5.6			152.4	6.0	A-2	SDS	161,29	12,70	50,80	0,79	44,45	33,34	10,32	3,4	PHP 2-B60-SDS		
147.3	5.8			157.5	6.2	A-2	SDS	166,37	12,70	50,80	0,79	44,45	33,34	10,32	3,5	PHP 2-B62-SDS		
152.4	6.0			162.6	6.4	A-2	SDS	171,45	12,70	50,80	0,79	44,45	33,34	10,32	3,7	PHP 2-B64-SDS		
157.5	6.2			167.6	6.6	A-2	SDS	176,53	12,70	50,80	0,79	44,45	33,34	10,32	3,9	PHP 2-B66-SDS		
162.6	6.4			172.7	6.8	A-3	SDS	181,61	12,70	50,80	0,79	44,45	33,34	10,32	4,1	PHP 2-B68-SDS		
167.6	6.6			177.8	7.0	D-1	SK	186,69	12,70	66,68	8,73	44,45	49,21	3,97	4,2	PHP 2-B70-SK		
177.8	7.0			188.0	7.4	D-3	SK	196,85	12,70	66,68	8,73	44,45	49,21	3,97	4,8	PHP 2-B74-SK		
193.0	7.6			203.2	8.0	D-3	SK	212,09	12,70	66,68	8,73	44,45	49,21	3,97	5,0	PHP 2-B80-SK		
208.3	8.2			218.4	8.6	D-3	SK	227,33	12,70	66,68	8,73	44,45	49,21	3,97	5,3	PHP 2-B86-SK		
228.6	9.0			238.8	9.4	D-3	SK	247,65	12,70	66,68	8,73	44,45	49,21	3,97	5,9	PHP 2-B94-SK		
269.2	10.6			279.4	11.0	D-3	SK	288,29	12,70	66,68	8,73	44,45	49,21	3,97	6,4	PHP 2-B110-SK		

<sup>1)</sup> Please, note that 1 in pulley type stands for solid version, 2 for web version and 3 for arm/spoke version.

<sup>2)</sup> Mass does not include bushings.



# Classical V-belt pulleys

A/B QD bushed

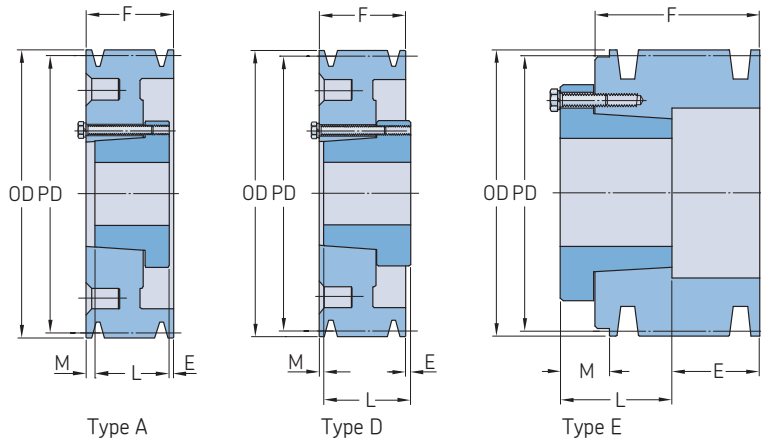
Section	Number of grooves	Pitch diameter Belt A		Belt B		Pulley type <sup>1)</sup>	Bushing number	Dimensions			E	F	L	M	Mass <sup>2)</sup>	Designation	
		PD	PD	PD	PD			Outer diameter OD	Bore Min.	Max.							
-	-	mm	in.	mm	in.	-	-	mm						kg	-		
A/B	2	304,8	12.0	315,0	12.4	D-3	SK	323,85	12,70	66,68	8,73	44,45	49,21	3,97	8,2	PHP 2-B124-SK	
		335,3	13.2	345,4	13.6	D-3	SK	354,33	12,70	66,68	8,73	44,45	49,21	3,97	9,1	PHP 2-B136-SK	
		381,0	15.0	391,2	15.4	D-3	SK	400,05	12,70	66,68	8,73	44,45	49,21	3,97	10,4	PHP 2-B154-SK	
		396,2	15.6	406,4	16.0	D-3	SK	415,29	12,70	66,68	8,73	44,45	49,21	3,97	10,9	PHP 2-B160-SK	
		457,2	18.0	467,4	18.4	D-3	SK	476,25	12,70	66,68	8,73	44,45	49,21	3,97	13,2	PHP 2-B184-SK	
	497,8	19.6	508,0	20.0	D-3	SF	516,89	12,70	74,61	11,91	44,45	52,39	3,97	15,0	PHP 2-B200-SF		
	624,8	24.6	635,0	25.0	D-3	SF	643,89	12,70	74,61	11,91	44,45	52,39	3,97	18,6	PHP 2-B250-SF		
	751,8	29.6	762,0	30.0	D-3	SF	770,89	12,70	74,61	11,91	44,45	52,39	3,97	23,1	PHP 2-B300-SF		
	955,0	37.6	965,2	38.0	D-3	SF	974,09	12,70	74,61	11,91	44,45	52,39	3,97	29,0	PHP 2-B380-SF		
	A/B	3	76,2	3.0	86,4	3.4	E-1	SH	95,25	12,70	41,28	30,96	63,50	33,34	16,67	2,0	PHP 3-B34-SH
			81,3	3.2	91,4	3.6	D-1	SH	100,33	12,70	41,28	11,91	63,50	33,34	42,07	2,1	PHP 3-B36-SH
			86,4	3.4	96,5	3.8	D-1	SH	105,41	12,70	41,28	11,91	63,50	33,34	42,07	2,4	PHP 3-B38-SH
			91,4	3.6	101,6	4.0	D-1	SH	110,49	12,70	41,28	11,91	63,50	33,34	42,07	2,5	PHP 3-B40-SH
			96,5	3.8	106,7	4.2	D-1	SH	115,57	12,70	41,28	11,91	63,50	33,34	42,07	2,7	PHP 3-B42-SH
			101,6	4.0	111,8	4.4	D-1	SH	120,65	12,70	41,28	11,91	63,50	33,34	42,07	2,9	PHP 3-B44-SH
			106,7	4.2	116,8	4.6	A-1	SD	125,73	12,70	50,80	10,32	63,50	46,04	7,14	3,0	PHP 3-B46-SD
			111,8	4.4	121,9	4.8	A-1	SD	130,81	12,70	50,80	10,32	63,50	46,04	7,14	3,2	PHP 3-B48-SD
116,8			4.6	127,0	5.0	A-1	SD	135,89	12,70	50,80	10,32	63,50	46,04	7,14	3,4	PHP 3-B50-SD	
121,9			4.8	132,1	5.2	A-1	SD	140,97	12,70	50,80	10,32	63,50	46,04	7,14	3,5	PHP 3-B52-SD	
127,0			5.0	137,2	5.4	A-1	SD	146,05	12,70	50,80	10,32	63,50	46,04	7,14	3,7	PHP 3-B54-SD	
132,1			5.2	142,2	5.6	A-1	SD	151,13	12,70	50,80	10,32	63,50	46,04	7,14	3,9	PHP 3-B56-SD	
137,2			5.4	147,3	5.8	A-1	SD	156,21	12,70	50,80	10,32	63,50	46,04	7,14	4,0	PHP 3-B58-SD	
142,2			5.6	152,4	6.0	A-1	SD	161,29	12,70	50,80	10,32	63,50	46,04	7,14	4,1	PHP 3-B60-SD	
147,3			5.8	157,5	6.2	A-1	SD	166,37	12,70	50,80	10,32	63,50	46,04	7,14	4,3	PHP 3-B62-SD	
152,4			6.0	162,6	6.4	A-1	SD	171,45	12,70	50,80	10,32	63,50	46,04	7,14	4,4	PHP 3-B64-SD	
157,5			6.2	167,6	6.6	A-1	SD	176,53	12,70	50,80	10,32	63,50	46,04	7,14	4,5	PHP 3-B66-SD	
162,6			6.4	172,7	6.8	B-3	SD	181,61	12,70	50,80	10,32	63,50	46,04	7,14	4,8	PHP 3-B68-SD	
167,6			6.6	177,8	7.0	D-1	SK	186,69	12,70	66,68	2,38	63,50	49,21	16,67	5,0	PHP 3-B70-SK	
177,8			7.0	188,0	7.4	D-3	SK	196,85	12,70	66,68	2,38	63,50	49,21	16,67	5,4	PHP 3-B74-SK	
193,0			7.6	203,2	8.0	D-3	SK	212,09	12,70	66,68	2,38	63,50	49,21	16,67	5,7	PHP 3-B80-SK	
208,3			8.2	218,4	8.6	D-3	SK	227,33	12,70	66,68	2,38	63,50	49,21	16,67	5,9	PHP 3-B86-SK	
228,6			9.0	238,8	9.4	D-3	SK	247,65	12,70	66,68	2,38	63,50	49,21	16,67	7,3	PHP 3-B94-SK	
269,2			10.6	279,4	11.0	D-3	SK	288,29	12,70	66,68	2,38	63,50	49,21	16,67	8,6	PHP 3-B110-SK	
304,8			12.0	315,0	12.4	D-3	SK	323,85	12,70	66,68	2,38	63,50	49,21	16,67	10,9	PHP 3-B124-SK	
335,3			13.2	345,4	13.6	D-3	SK	354,33	12,70	66,68	2,38	63,50	49,21	16,67	12,3	PHP 3-B136-SK	
381,0			15.0	391,2	15.4	D-3	SK	400,05	12,70	66,68	2,38	63,50	49,21	16,67	13,6	PHP 3-B154-SK	
396,2			15.6	406,4	16.0	D-3	SK	415,29	12,70	66,68	2,38	63,50	49,21	16,67	15,0	PHP 3-B160-SK	
457,2		18.0	467,4	18.4	D-3	SK	476,25	12,70	66,68	2,38	63,50	49,21	16,67	17,2	PHP 3-B184-SK		
497,8		19.6	508,0	20.0	D-3	SF	516,89	12,70	74,61	5,56	63,50	52,39	16,67	19,5	PHP 3-B200-SF		
624,8		24.6	635,0	25.0	D-3	SF	643,89	12,70	74,61	5,56	63,50	52,39	16,67	24,5	PHP 3-B250-SF		
751,8		29.6	762,0	30.0	D-3	SF	770,89	12,70	74,61	5,56	63,50	52,39	16,67	30,4	PHP 3-B300-SF		
955,0		37.6	965,2	38.0	D-3	E	974,09	22,23	88,90	13,49	63,50	69,85	7,14	40,8	PHP 3-B380-E		
A/B		4	76,2	3.0	86,4	3.4	E-1	SD	95,25	12,70	50,80	62,71	82,55	46,04	26,19	2,5	PHP 4-B34-SD
			81,3	3.2	91,4	3.6	E-1	SD	100,33	12,70	50,80	62,71	82,55	46,04	26,19	2,6	PHP 4-B36-SD
			86,4	3.4	96,5	3.8	E-1	SD	105,41	12,70	50,80	62,71	82,55	46,04	26,19	2,8	PHP 4-B38-SD
			91,4	3.6	101,6	4.0	E-1	SD	110,49	12,70	50,80	52,39	82,55	46,04	16,67	3,0	PHP 4-B40-SD
			96,5	3.8	106,7	4.2	E-1	SD	115,57	12,70	50,80	52,39	82,55	46,04	16,67	3,1	PHP 4-B42-SD
			101,6	4.0	111,8	4.4	E-1	SD	120,65	12,70	50,80	52,39	82,55	46,04	16,67	3,3	PHP 4-B44-SD
			106,7	4.2	116,8	4.6	A-1	SD	125,73	12,70	50,80	16,67	82,55	46,04	19,84	3,5	PHP 4-B46-SD
			111,8	4.4	121,9	4.8	A-1	SD	130,81	12,70	50,80	16,67	82,55	46,04	19,84	3,6	PHP 4-B48-SD
			116,8	4.6	127,0	5.0	A-1	SD	135,89	12,70	50,80	16,67	82,55	46,04	19,84	3,8	PHP 4-B50-SD
			121,9	4.8	132,1	5.2	A-1	SD	140,97	12,70	50,80	16,67	82,55	46,04	19,84	3,9	PHP 4-B52-SD
			127,0	5.0	137,2	5.4	A-1	SD	146,05	12,70	50,80	16,67	82,55	46,04	19,84	4,2	PHP 4-B54-SD
			132,1	5.2	142,2	5.6	A-1	SD	151,13	12,70	50,80	16,67	82,55	46,04	19,84	4,4	PHP 4-B56-SD
			137,2	5.4	147,3	5.8	A-1	SD	156,21	12,70	50,80	16,67	82,55	46,04	19,84	4,5	PHP 4-B58-SD
			142,2	5.6	152,4	6.0	A-1	SD	161,29	12,70	50,80	16,67	82,55	46,04	19,84	4,7	PHP 4-B60-SD
			147,3	5.8	157,5	6.2	A-1	SD	166,37	12,70	50,80	16,67	82,55	46,04	19,84	4,9	PHP 4-B62-SD
			152,4	6.0	162,6	6.4	A-1	SD	171,45	12,70	50,80	16,67	82,55	46,04	19,84	5,4	PHP 4-B64-SD
			157,5	6.2	167,6	6.6	A-1	SD	176,53	12,70	50,80	16,67	82,55	46,04	19,84	5,6	PHP 4-B66-SD
			162,6	6.4	172,7	6.8	A-3	SD	181,61	12,70	50,80	16,67	82,55	46,04	19,84	5,9	PHP 4-B68-SD
			167,6	6.6	177,8	7.0	A-1	SK	186,69	12,70	66,68	5,56	82,55	49,21	26,99	6,1	PHP 4-B70-SK
			177,8	7.0	188,0	7.4	A-3	SK	196,85	12,70	66,68	5,56	82,55	49,21	26,99	6,4	PHP 4-B74-SK
			193,0	7.6	203,2	8.0	A-3	SK	212,09	12,70	66,68	5,56	82,55	49,21	26,99	7,0	PHP 4-B80-SK
			208,3	8.2	218,4	8.6	A-3	SK	227,33	12,70	66,68	5,56	82,55	49,21	26,99	7,7	PHP 4-B86-SK
			228,6	9.0	238,8	9.4	A-3	SK	247,65	12,70	66,68	5,56	82,55	49,21	26,99	8,6	PHP 4-B94-SK
	269,2		10.6	279,4	11.0	A-3	SK	288,29	12,70	66,68	5,56	82,55	49,21	26,99	10,0	PHP 4-B110-SK	
	304,8		12.0	315,0	12.4	A-3	SK	323,85	12,70	66,68	5,56	82,55	49,21	26,99	13,2	PHP 4-B124-SK	
	335,3		13.2	345,4	13.6	A-3	SK	354,33	12,70	66,68	5,56	82,55	49,21	26,99	15,4	PHP 4-B136-SK	
	381,0		15.0	391,2	15.4	A-3	SF	400,05	12,70	74,61	3,97	82,55	52,39	26,19	17,7	PHP 4-B154-SF	
	396,2		15.6	406,4	16.0	A-3	SF	415,29	12,70	74,61	3,97	82,55	52,39	26,19	19,1	PHP 4-B160-SF	
	457,2	18.0	467,4	18.4	A-3	SF	476,25	12,70	74,61	3,97	82,55	52,39	26,19	21,3	PHP 4-B184-SF		
	497,8	19.6	508,0	20.0	A-3	SF	516,89	12,70	74,61	3,97	82,55	52,39	26,19	23,1	PHP 4-B200-SF		
	624,8	24.6	635,0	25.0	D-3	E	643,89	22,23	88,90	3,97	82,55	69,85	16,67	33,1	PHP 4-B250-E		

<sup>1)</sup> Please, note that 1 in pulley type stands for solid version, 2 for web version and 3 for arm/spoke version.

<sup>2)</sup> Mass does not include bushings.

# Classical V-belt pulleys

A/B QD bushed



Section	Number of grooves	Pitch diameter Belt A		Belt B		Pulley type <sup>1)</sup>	Bushing number	Dimensions					Mass <sup>2)</sup>	Designation		
		PD	PD	PD	PD			Outer diameter OD	Bore Min.	Max.	E	F			L	M
-	-	mm	in.	mm	in.	-	-	mm					kg	-		
A/B	4	751,8	29,6	762,0	30,0	D-3	E	770,89	22,23	88,90	3,97	82,55	69,85	16,67	39,0	PHP 4-B300-E
		955,0	37,6	965,2	38,0	D-3	E	974,09	22,23	88,90	3,97	82,55	69,85	16,67	49,4	PHP 4-B380-E
A/B	5	76,2	3,0	86,4	3,4	E-1	SD	95,25	12,70	50,80	81,76	101,60	46,04	26,19	2,8	PHP 5-B34-SD
		81,3	3,2	91,4	3,6	E-1	SD	100,33	12,70	50,80	81,76	101,60	46,04	26,19	3,0	PHP 5-B36-SD
		86,4	3,4	96,5	3,8	E-1	SD	105,41	12,70	50,80	81,76	101,60	46,04	26,19	3,2	PHP 5-B38-SD
		91,4	3,6	101,6	4,0	E-1	SD	110,49	12,70	50,80	72,23	101,60	46,04	16,67	3,4	PHP 5-B40-SD
		96,5	3,8	106,7	4,2	E-1	SD	115,57	12,70	50,80	72,23	101,60	46,04	16,67	3,6	PHP 5-B42-SD
		101,6	4,0	111,8	4,4	E-1	SD	120,65	12,70	50,80	72,23	101,60	46,04	16,67	3,9	PHP 5-B44-SD
		106,7	4,2	116,8	4,6	A-1	SD	125,73	12,70	50,80	67,47	101,60	46,04	38,89	4,1	PHP 5-B46-SD
		111,8	4,4	121,9	4,8	A-1	SD	130,81	12,70	50,80	67,47	101,60	46,04	38,89	4,3	PHP 5-B48-SD
		116,8	4,6	127,0	5,0	A-1	SD	135,89	12,70	50,80	67,47	101,60	46,04	38,89	4,5	PHP 5-B50-SD
		121,9	4,8	132,1	5,2	A-1	SD	140,97	12,70	50,80	67,47	101,60	46,04	38,89	4,7	PHP 5-B52-SD
		127,0	5,0	137,2	5,4	A-1	SK	146,05	12,70	66,68	13,49	101,60	49,21	38,89	4,9	PHP 5-B54-SK
		132,1	5,2	142,2	5,6	A-1	SK	151,13	12,70	66,68	13,49	101,60	49,21	38,89	5,1	PHP 5-B56-SK
		137,2	5,4	147,3	5,8	A-1	SK	156,21	12,70	66,68	13,49	101,60	49,21	38,89	5,4	PHP 5-B58-SK
		142,2	5,6	152,4	6,0	A-1	SK	161,29	12,70	66,68	13,49	101,60	49,21	38,89	6,4	PHP 5-B60-SK
		147,3	5,8	157,5	6,2	A-1	SK	166,37	12,70	66,68	13,49	101,60	49,21	38,89	6,8	PHP 5-B62-SK
		152,4	6,0	162,6	6,4	A-1	SK	171,45	12,70	66,68	13,49	101,60	49,21	38,89	7,3	PHP 5-B64-SK
		157,5	6,2	167,6	6,6	A-1	SK	176,53	12,70	66,68	13,49	101,60	49,21	38,89	7,7	PHP 5-B66-SK
		162,6	6,4	172,7	6,8	A-1	SK	181,61	12,70	66,68	13,49	101,60	49,21	38,89	8,2	PHP 5-B68-SK
		167,6	6,6	177,8	7,0	A-1	SF	186,69	12,70	74,61	11,91	101,60	52,39	37,31	8,6	PHP 5-B70-SF
		177,8	7,0	188,0	7,4	A-2	SF	196,85	12,70	74,61	11,91	101,60	52,39	37,31	9,1	PHP 5-B74-SF
		193,0	7,6	203,2	8,0	A-2	SF	212,09	12,70	74,61	11,91	101,60	52,39	37,31	9,5	PHP 5-B80-SF
		208,3	8,2	218,4	8,6	A-2	SF	227,33	12,70	74,61	11,91	101,60	52,39	37,31	10,0	PHP 5-B86-SF
		228,6	9,0	238,8	9,4	A-3	SF	247,65	12,70	74,61	11,91	101,60	52,39	37,31	10,9	PHP 5-B94-SF
		269,2	10,6	279,4	11,0	A-3	SF	288,29	12,70	74,61	11,91	101,60	52,39	37,31	13,2	PHP 5-B110-SF
		304,8	12,0	315,0	12,4	A-3	SF	323,85	12,70	74,61	11,91	101,60	52,39	37,31	15,4	PHP 5-B124-SF
		335,3	13,2	345,4	13,6	A-3	SF	354,33	12,70	74,61	11,91	101,60	52,39	37,31	17,2	PHP 5-B136-SF
		381,0	15,0	391,2	15,4	A-3	SF	400,05	12,70	74,61	11,91	101,60	52,39	37,31	20,9	PHP 5-B154-SF
		396,2	15,6	406,4	16,0	A-3	SF	415,29	12,70	74,61	11,91	101,60	52,39	37,31	22,2	PHP 5-B160-SF
		457,2	18,0	467,4	18,4	A-3	SF	476,25	12,70	74,61	11,91	101,60	52,39	37,31	25,0	PHP 5-B184-SF
		497,8	19,6	508,0	20,0	A-3	E	516,89	22,23	12,70	1,59	101,60	69,85	29,37	29,5	PHP 5-B200-E
		624,8	24,6	635,0	25,0	A-3	E	643,89	22,23	12,70	1,59	101,60	69,85	29,37	39,0	PHP 5-B250-E
		751,8	29,6	762,0	30,0	A-3	E	770,89	22,23	12,70	1,59	101,60	69,85	29,37	46,3	PHP 5-B300-E
955,0	37,6	965,2	38,0	A-3	E	974,09	22,23	12,70	1,59	101,60	69,85	29,37	59,9	PHP 5-B380-E		
A/B	6	76,2	3,0	86,4	3,4	E-1	SD	95,25	12,70	50,80	100,81	120,65	46,04	26,19	3,0	PHP 6-B34-SD
		81,3	3,2	91,4	3,6	E-1	SD	100,33	12,70	50,80	100,81	120,65	46,04	26,19	3,4	PHP 6-B36-SD
		86,4	3,4	96,5	3,8	E-1	SD	105,41	12,70	50,80	100,81	120,65	46,04	26,19	3,6	PHP 6-B38-SD
		91,4	3,6	101,6	4,0	E-1	SD	110,49	12,70	50,80	91,28	120,65	46,04	16,67	3,8	PHP 6-B40-SD
		96,5	3,8	106,7	4,2	E-1	SD	115,57	12,70	50,80	91,28	120,65	46,04	16,67	4,1	PHP 6-B42-SD
		101,6	4,0	111,8	4,4	E-1	SD	120,65	12,70	50,80	91,28	120,65	46,04	16,67	4,4	PHP 6-B44-SD
		106,7	4,2	116,8	4,6	A-1	SD	125,73	12,70	50,80	16,67	120,65	46,04	57,94	4,6	PHP 6-B46-SD
		111,8	4,4	121,9	4,8	A-1	SD	130,81	12,70	50,80	16,67	120,65	46,04	57,94	4,8	PHP 6-B48-SD
		116,8	4,6	127,0	5,0	A-1	SD	135,89	12,70	50,80	16,67	120,65	46,04	57,94	5,0	PHP 6-B50-SD
		121,9	4,8	132,1	5,2	A-1	SD	140,97	12,70	50,80	16,67	120,65	46,04	57,94	5,4	PHP 6-B52-SD
		127,0	5,0	137,2	5,4	A-1	SK	146,05	12,70	66,68	13,49	120,65	49,21	57,94	5,9	PHP 6-B54-SK
		132,1	5,2	142,2	5,6	A-1	SK	151,13	12,70	66,68	13,49	120,65	49,21	57,94	6,4	PHP 6-B56-SK
		137,2	5,4	147,3	5,8	A-1	SK	156,21	12,70	66,68	13,49	120,65	49,21	57,94	6,6	PHP 6-B58-SK
		142,2	5,6	152,4	6,0	A-1	SK	161,29	12,70	66,68	13,49	120,65	49,21	57,94	6,8	PHP 6-B60-SK
		147,3	5,8	157,5	6,2	A-1	SK	166,37	12,70	66,68	13,49	120,65	49,21	57,94	7,3	PHP 6-B62-SK
		152,4	6,0	162,6	6,4	A-1	SK	171,45	12,70	66,68	13,49	120,65	49,21	57,94	7,7	PHP 6-B64-SK
		157,5	6,2	167,6	6,6	A-1	SK	176,53	12,70	66,68	13,49	120,65	49,21	57,94	8,2	PHP 6-B66-SK
		162,6	6,4	172,7	6,8	A-1	SK	181,61	12,70	66,68	13,49	120,65	49,21	57,94	8,6	PHP 6-B68-SK

<sup>1)</sup> Please, note that 1 in pulley type stands for solid version, 2 for web version and 3 for arm/spoke version.  
<sup>2)</sup> Mass does not include bushings.

# Classical V-belt pulleys

A/B QD bushed

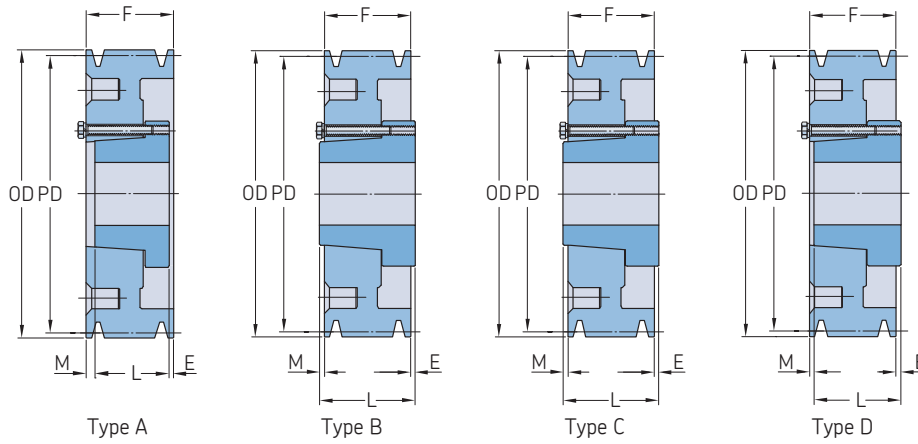
Section	Number of grooves	Pitch diameter Belt A		Belt B		Pulley type <sup>1)</sup>	Bushing number	Dimensions					Mass <sup>2)</sup>	Designation				
		PD	PD	PD	PD			Outer diameter OD	Bore Min.	Max.	E	F			L	M		
–	–	mm	in.	mm	in.	–	–	mm						kg	–			
A/B	6	167,6	6,6	177,8	7,0	A-1	SF	186,69	12,70	74,61	21,43	120,65	52,39	46,83	9,1	PHP 6-B70-SF		
		177,8	7,0	188,0	7,4	A-1	SF	196,85	12,70	74,61	21,43	120,65	52,39	46,83	10,0	PHP 6-B74-SF		
		193,0	7,6	203,2	8,0	A-2	SF	212,09	12,70	74,61	21,43	120,65	52,39	46,83	10,9	PHP 6-B80-SF		
		208,3	8,2	218,4	8,6	A-2	SF	227,33	12,70	74,61	21,43	120,65	52,39	46,83	11,8	PHP 6-B86-SF		
		228,6	9,0	238,8	9,4	A-3	SF	247,65	12,70	74,61	21,43	120,65	52,39	46,83	12,3	PHP 6-B94-SF		
		269,2	10,6	279,4	11,0	A-3	SF	288,29	12,70	74,61	21,43	120,65	52,39	46,83	14,5	PHP 6-B110-SF		
		304,8	12,0	315,0	12,4	A-3	SF	323,85	12,70	74,61	21,43	120,65	52,39	46,83	17,7	PHP 6-B124-SF		
		335,3	13,2	345,4	13,6	A-3	SF	354,33	12,70	74,61	21,43	120,65	52,39	46,83	20,0	PHP 6-B136-SF		
		381,0	15,0	391,2	15,4	A-3	SF	400,05	12,70	74,61	21,43	120,65	52,39	46,83	22,7	PHP 6-B154-SF		
		396,2	15,6	406,4	16,0	A-3	SF	415,29	12,70	74,61	21,43	120,65	52,39	46,83	24,5	PHP 6-B160-SF		
		457,2	18,0	467,4	18,4	A-3	SF	476,25	12,70	74,61	21,43	120,65	52,39	46,83	28,1	PHP 6-B184-SF		
		497,8	19,6	508,0	20,0	A-3	E	516,89	22,23	88,90	5,56	120,65	69,85	45,24	33,6	PHP 6-B200-E		
		624,8	24,6	635,0	25,0	A-3	E	643,89	22,23	88,90	5,56	120,65	69,85	45,24	43,5	PHP 6-B250-E		
		751,8	29,6	762,0	30,0	A-3	E	770,89	22,23	88,90	5,56	120,65	69,85	45,24	54,0	PHP 6-B300-E		
		955,0	37,6	965,2	38,0	A-3	E	974,09	22,23	88,90	5,56	120,65	69,85	45,24	60,8	PHP 6-B380-E		
		A/B	8	127,0	5,0	137,2	5,4	A-1	SK	146,05	12,70	66,68	26,19	158,75	49,21	83,34	6,8	PHP 8-B54-SK
				132,1	5,2	142,2	5,6	A-1	SK	151,13	12,70	66,68	26,19	158,75	49,21	83,34	7,3	PHP 8-B56-SK
				142,2	5,6	152,4	6,0	A-1	SF	161,29	12,70	74,61	24,61	158,75	52,39	81,76	9,1	PHP 8-B60-SF
				152,4	6,0	162,6	6,4	A-1	SF	171,45	12,70	74,61	24,61	158,75	52,39	81,76	10,4	PHP 8-B64-SF
				162,6	6,4	172,7	6,8	A-1	SF	181,61	12,70	74,61	24,61	158,75	52,39	81,76	11,3	PHP 8-B68-SF
177,8	7,0			188,0	7,4	A-1	SF	196,85	12,70	74,61	24,61	158,75	52,39	81,76	12,7	PHP 8-B74-SF		
208,3	8,2			218,4	8,6	A-1	E	227,33	22,23	88,90	30,96	158,75	69,85	57,94	18,1	PHP 8-B86-E		
228,6	9,0			238,8	9,4	A-2	E	247,65	22,23	88,90	30,96	158,75	69,85	57,94	19,5	PHP 8-B94-E		
269,2	10,6			279,4	11,0	A-3	E	288,29	22,23	88,90	30,96	158,75	69,85	57,94	22,2	PHP 8-B110-E		
304,8	12,0			315,0	12,4	A-3	E	323,85	22,23	88,90	30,96	158,75	69,85	57,94	25,4	PHP 8-B124-E		
381,0	15,0			391,2	15,4	A-3	E	400,05	22,23	88,90	30,96	158,75	69,85	57,94	31,3	PHP 8-B154-E		
457,2	18,0			467,4	18,4	D-3	F	476,25	25,40	101,60	0,79	158,75	95,25	64,29	41,3	PHP 8-B184-F		
497,8	19,6			508,0	20,0	D-3	F	516,89	25,40	101,60	0,79	158,75	95,25	64,29	44,5	PHP 8-B200-F		
624,8	24,6			635,0	25,0	D-3	F	643,89	25,40	101,60	0,79	158,75	95,25	64,29	54,9	PHP 8-B250-F		
751,8	29,6			762,0	30,0	D-3	F	770,89	25,40	101,60	0,79	158,75	95,25	64,29	67,1	PHP 8-B300-F		
955,0	37,6			965,2	38,0	D-3	F	974,09	25,40	101,60	0,79	158,75	95,25	64,29	88,0	PHP 8-B380-F		
A/B	10			127,0	5,0	137,2	5,4	A-1	SK	146,05	12,70	66,68	45,24	196,85	49,21	102,39	8,2	PHP 10-B54-SK
				132,1	5,2	142,2	5,6	A-1	SK	151,13	12,70	66,68	45,24	196,85	49,21	102,39	9,1	PHP 10-B56-SK
				142,2	5,6	152,4	6,0	A-1	SF	161,29	12,70	74,61	42,86	196,85	52,39	100,81	10,9	PHP 10-B60-SF
				152,4	6,0	162,6	6,4	A-1	SF	171,45	12,70	74,61	42,86	196,85	52,39	100,81	11,8	PHP 10-B64-SF
		162,6	6,4	172,7	6,8	A-1	SF	181,61	12,70	74,61	42,86	196,85	52,39	100,81	12,7	PHP 10-B68-SF		
		177,8	7,0	188,0	7,4	A-1	SF	196,85	12,70	74,61	42,86	196,85	52,39	100,81	14,5	PHP 10-B74-SF		
		208,3	8,2	218,4	8,6	A-1	E	227,33	22,23	88,90	50,01	196,85	69,85	76,99	19,1	PHP 10-B86-E		
		228,6	9,0	238,8	9,4	A-2	E	247,65	22,23	88,90	50,01	196,85	69,85	76,99	21,8	PHP 10-B94-E		
		269,2	10,6	279,4	11,0	A-3	E	288,29	22,23	88,90	50,01	196,85	69,85	76,99	25,4	PHP 10-B110-E		
		304,8	12,0	315,0	12,4	A-3	E	323,85	22,23	88,90	50,01	196,85	69,85	76,99	29,0	PHP 10-B124-E		
		381,0	15,0	391,2	15,4	A-3	F	400,05	25,40	101,60	15,88	196,85	95,25	83,34	39,9	PHP 10-B154-F		
		457,2	18,0	467,4	18,4	A-3	F	476,25	25,40	101,60	15,88	196,85	95,25	83,34	46,7	PHP 10-B184-F		
		497,8	19,6	508,0	20,0	A-3	F	516,89	25,40	101,60	15,88	196,85	95,25	83,34	50,8	PHP 10-B200-F		
		624,8	24,6	635,0	25,0	A-3	F	643,89	25,40	101,60	15,88	196,85	95,25	83,34	64,4	PHP 10-B250-F		
		751,8	29,6	762,0	30,0	A-3	F	770,89	25,40	101,60	15,88	196,85	95,25	83,34	78,9	PHP 10-B300-F		
		955,0	37,6	965,2	38,0	A-3	J	974,09	38,10	114,30	3,18	196,85	117,48	76,20	104,3	PHP 10-B380-J		

<sup>1)</sup> Please, note that 1 in pulley type stands for solid version, 2 for web version and 3 for arm/spoke version.

<sup>2)</sup> Mass does not include bushings.

# Classical V-belt pulleys

C QD bushed



Section	Number of grooves	Pitch diameter		Pulley type <sup>1)</sup>	Bushing number	Dimensions						Mass <sup>2)</sup>	Designation		
		PD				Outer diameter OD	Bore Min.	Max.	E	F	L			M	
		mm	in.			mm						kg			
C	1	177,8	7.0	D-1	SF	187,96	12,70	74,61	21,43	31,75	52,39	1	4,5	PHP 1-C70-SF	
		190,5	7.5	D-2	SF	200,66	12,70	74,61	21,43	31,75	52,39	1	5,4	PHP 1-C75-SF	
		203,2	8.0	D-2	SF	213,36	12,70	74,61	21,43	31,75	52,39	1	5,9	PHP 1-C80-SF	
		215,9	8.5	D-2	SF	226,06	12,70	74,61	21,43	31,75	52,39	1	6,4	PHP 1-C85-SF	
		228,6	9.0	D-3	SF	238,76	12,70	74,61	21,43	31,75	52,39	1	6,8	PHP 1-C90-SF	
		241,3	9.5	D-3	SF	251,46	12,70	74,61	21,43	31,75	52,39	1	7,3	PHP 1-C95-SF	
		254,0	10.0	D-3	SF	264,16	12,70	74,61	21,43	31,75	52,39	1	7,7	PHP 1-C100-SF	
		266,7	10.5	D-3	SF	276,86	12,70	74,61	21,43	31,75	52,39	1	8,2	PHP 1-C105-SF	
		279,4	11.0	D-3	SF	289,56	12,70	74,61	21,43	31,75	52,39	1	8,6	PHP 1-C110-SF	
		304,8	12.0	D-3	SF	314,96	12,70	74,61	21,43	31,75	52,39	1	9,1	PHP 1-C120-SF	
	330,2	13.0	D-3	SF	340,36	12,70	74,61	21,43	31,75	52,39	1	10,0	PHP 1-C130-SF		
	355,6	14.0	D-3	SF	365,76	12,70	74,61	21,43	31,75	52,39	1	10,9	PHP 1-C140-SF		
	406,4	16.0	D-3	SF	416,56	12,70	74,61	21,43	31,75	52,39	1	11,8	PHP 1-C160-SF		
	457,2	18.0	D-3	SF	467,36	12,70	74,61	21,43	31,75	52,39	1	13,6	PHP 1-C180-SF		
	508,0	20.0	D-3	SF	518,16	12,70	74,61	21,43	31,75	52,39	1	15,9	PHP 1-C200-SF		
	609,6	24.0	D-3	SF	619,76	12,70	74,61	21,43	31,75	52,39	1	18,6	PHP 1-C240-SF		
	C	2	177,8	7.0	D-1	SF	187,96	12,70	74,61	2,38	57,15	52,39	7	6,8	PHP 2-C70-SF
			190,5	7.5	D-1	SF	200,66	12,70	74,61	2,38	57,15	52,39	7	7,7	PHP 2-C75-SF
			203,2	8.0	D-1	SF	213,36	12,70	74,61	2,38	57,15	52,39	7	8,2	PHP 2-C80-SF
			215,9	8.5	D-2	SF	226,06	12,70	74,61	2,38	57,15	52,39	7	8,6	PHP 2-C85-SF
228,6			9.0	D-2	SF	238,76	12,70	74,61	2,38	57,15	52,39	7	9,1	PHP 2-C90-SF	
241,3			9.5	D-2	SF	251,46	12,70	74,61	2,38	57,15	52,39	7	9,5	PHP 2-C95-SF	
254,0			10.0	D-3	SF	264,16	12,70	74,61	2,38	57,15	52,39	7	10,0	PHP 2-C100-SF	
266,7			10.5	D-3	SF	276,86	12,70	74,61	2,38	57,15	52,39	7	10,4	PHP 2-C105-SF	
279,4			11.0	D-3	SF	289,56	12,70	74,61	2,38	57,15	52,39	7	10,9	PHP 2-C110-SF	
304,8			12.0	D-3	SF	314,96	12,70	74,61	8,73	57,15	52,39	13	11,3	PHP 2-C120-SF	
330,2		13.0	D-3	SF	340,36	12,70	74,61	8,73	57,15	52,39	13	12,7	PHP 2-C130-SF		
355,6		14.0	D-3	SF	365,76	12,70	74,61	8,73	57,15	52,39	13	14,1	PHP 2-C140-SF		
406,4		16.0	D-3	SF	416,56	12,70	74,61	8,73	57,15	52,39	13	16,3	PHP 2-C160-SF		
457,2		18.0	D-3	SF	467,36	12,70	74,61	8,73	57,15	52,39	13	17,7	PHP 2-C180-SF		
508,0		20.0	D-3	SF	518,16	12,70	74,61	8,73	57,15	52,39	13	21,8	PHP 2-C200-SF		
609,6		24.0	D-3	SF	619,76	12,70	74,61	8,73	57,15	52,39	13	27,2	PHP 2-C240-SF		
762,0		30.0	C-3	F	772,16	25,40	101,60	30,96	57,15	95,25	7	38,6	PHP 2-C300-F		
C		3	127,0	5.0	A-1	SD	137,16	12,70	50,80	15,08	82,55	46,04	21	4,5	PHP 3-C50-SD
	139,7		5.5	A-1	SD	149,86	12,70	50,80	15,08	82,55	46,04	21	5,4	PHP 3-C55-SD	
	152,4		6.0	D-1	SF	162,56	12,70	74,61	18,26	82,55	52,39	48	6,8	PHP 3-C60-SF	
	177,8		7.0	A-1	SF	187,96	12,70	74,61	10,32	82,55	52,39	20	8,2	PHP 3-C70-SF	
	190,5		7.5	A-1	SF	200,66	12,70	74,61	10,32	82,55	52,39	20	9,1	PHP 3-C75-SF	
	203,2		8.0	B-1	E	213,36	22,23	88,90	13,49	82,55	69,85	1	11,8	PHP 3-C80-E	
	215,9		8.5	B-1	E	226,06	22,23	88,90	13,49	82,55	69,85	1	13,2	PHP 3-C85-E	
	228,6		9.0	A-1	E	238,76	22,23	88,90	11,91	82,55	69,85	1	14,5	PHP 3-C90-E	
	241,3		9.5	A-2	E	251,46	22,23	88,90	11,91	82,55	69,85	1	15,4	PHP 3-C95-E	
	254,0		10.0	A-2	E	264,16	22,23	88,90	11,91	82,55	69,85	1	16,3	PHP 3-C100-E	
	266,7	10.5	A-3	E	276,86	22,23	88,90	11,91	82,55	69,85	1	17,2	PHP 3-C105-E		
	279,4	11.0	A-3	E	289,56	22,23	88,90	11,91	82,55	69,85	1	18,1	PHP 3-C110-E		
	304,8	12.0	A-3	E	314,96	22,23	88,90	11,91	82,55	69,85	1	19,5	PHP 3-C120-E		
	330,2	13.0	A-3	E	340,36	22,23	88,90	11,91	82,55	69,85	1	20,4	PHP 3-C130-E		
	355,6	14.0	A-3	E	365,76	22,23	88,90	11,91	82,55	69,85	1	23,1	PHP 3-C140-E		
	406,4	16.0	A-3	E	416,56	22,23	88,90	11,91	82,55	69,85	1	26,8	PHP 3-C160-E		
	457,2	18.0	A-3	E	467,36	22,23	88,90	11,91	82,55	69,85	1	29,5	PHP 3-C180-E		
	508,0	20.0	D-3	E	518,16	22,23	88,90	5,56	82,55	69,85	18	31,8	PHP 3-C200-E		
609,6	24.0	D-3	E	619,76	22,23	88,90	5,56	82,55	69,85	18	36,3	PHP 3-C240-E			
685,8	27.0	D-3	F	695,96	25,40	101,60	16,67	82,55	95,25	4	47,6	PHP 3-C270-F			

<sup>1)</sup> Please, note that 1 in pulley type stands for solid version, 2 for web version and 3 for arm/spoke version.

<sup>2)</sup> Mass does not include bushings.

# Classical V-belt pulleys

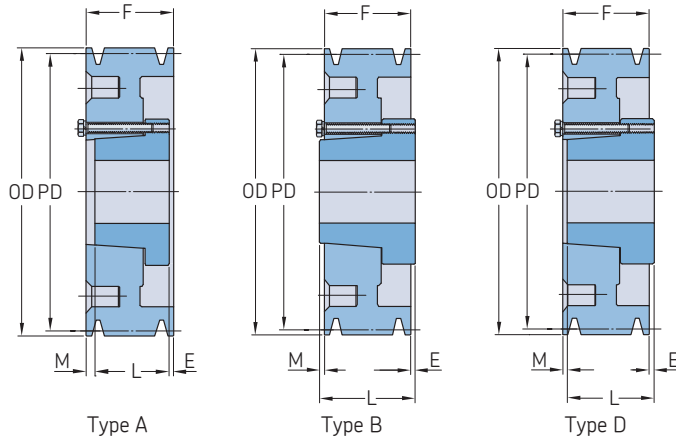
C QD bushed

Section	Number of grooves	Pitch diameter		Pulley type <sup>1)</sup>	Bushing number	Dimensions						Mass <sup>2)</sup>	Designation			
		PD				Outer diameter OD	Bore Min.	Max.	E	F	L			M		
		mm	in.												mm	kg
C	3	762,0	30,0	D-3	F	772,16	25,40	101,60	16,67	82,55	95,25	4	54,4	PHP 3-C300-F		
		914,4	36,0	D-3	F	924,56	25,40	101,60	16,67	82,55	95,25	4	63,5	PHP 3-C360-F		
		1117,6	44,0	D-3	F	1127,76	25,40	101,60	16,67	82,55	95,25	4	77,1	PHP 3-C440-F		
		1270,0	50,0	D-3	F	1280,16	25,40	101,60	16,67	82,55	95,25	4	86,2	PHP 3-C500-F		
C	4	127,0	5,0	A-1	SD	137,16	12,70	50,80	21,43	107,95	46,04	40	5,4	PHP 4-C50-SD		
		139,7	5,5	A-1	SD	149,86	12,70	50,80	21,43	107,95	46,04	40	6,4	PHP 4-C55-SD		
		152,4	6,0	A-1	SF	162,56	12,70	74,61	16,67	107,95	52,39	39	7,7	PHP 4-C60-SF		
		177,8	7,0	A-1	SF	187,96	12,70	74,61	16,67	107,95	52,39	39	9,5	PHP 4-C70-SF		
		190,5	7,5	A-1	SF	200,66	12,70	74,61	16,67	107,95	52,39	39	11,3	PHP 4-C75-SF		
		203,2	8,0	A-1	E	213,36	22,23	88,90	19,84	107,95	69,85	18	13,6	PHP 4-C80-E		
		215,9	8,5	A-1	E	226,06	22,23	88,90	19,84	107,95	69,85	18	15,0	PHP 4-C85-E		
		228,6	9,0	A-1	E	238,76	22,23	88,90	19,84	107,95	69,85	18	15,9	PHP 4-C90-E		
		241,3	9,5	A-2	E	251,46	22,23	88,90	19,84	107,95	69,85	18	17,2	PHP 4-C95-E		
		254,0	10,0	A-2	E	264,16	22,23	88,90	19,84	107,95	69,85	18	18,1	PHP 4-C100-E		
		266,7	10,5	A-2	E	276,86	22,23	88,90	19,84	107,95	69,85	18	19,5	PHP 4-C105-E		
		279,4	11,0	A-2	E	289,56	22,23	88,90	19,84	107,95	69,85	18	20,9	PHP 4-C110-E		
		304,8	12,0	A-3	E	314,96	22,23	88,90	19,84	107,95	69,85	18	22,7	PHP 4-C120-E		
		330,2	13,0	A-3	E	340,36	22,23	88,90	19,84	107,95	69,85	18	24,5	PHP 4-C130-E		
		355,6	14,0	A-3	E	365,76	22,23	88,90	19,84	107,95	69,85	18	26,8	PHP 4-C140-E		
		406,4	16,0	A-3	E	416,56	22,23	88,90	19,84	107,95	69,85	18	29,5	PHP 4-C160-E		
		457,2	18,0	A-3	E	467,36	22,23	88,90	19,84	107,95	69,85	18	33,1	PHP 4-C180-E		
		508,0	20,0	A-3	E	518,16	22,23	88,90	7,14	107,95	69,85	31	37,2	PHP 4-C200-E		
		609,6	24,0	D-3	F	619,76	25,40	101,60	2,38	107,95	95,25	15	47,6	PHP 4-C240-F		
		685,8	27,0	D-3	F	695,96	25,40	101,60	2,38	107,95	95,25	15	56,7	PHP 4-C270-F		
		762,0	30,0	D-3	F	772,16	25,40	101,60	2,38	107,95	95,25	15	64,4	PHP 4-C300-F		
		914,4	36,0	D-3	F	924,56	25,40	101,60	2,38	107,95	95,25	15	78,0	PHP 4-C360-F		
		1117,6	44,0	C-3	J	1127,76	38,10	114,30	-	107,95	117,48	10	102,1	PHP 4-C440-J		
		1270,0	50,0	C-3	J	1280,16	38,10	114,30	-	107,95	117,48	10	117,9	PHP 4-C500-J		
		C	5	152,4	6,0	A-1	SF	162,56	12,70	74,61	26,19	133,35	52,39	55	9,5	PHP 5-C60-SF
				177,8	7,0	A-1	SF	187,96	12,70	74,61	26,19	133,35	52,39	55	11,8	PHP 5-C70-SF
				190,5	7,5	A-1	SF	200,66	12,70	74,61	26,19	133,35	52,39	55	12,7	PHP 5-C75-SF
				203,2	8,0	A-1	E	213,36	22,23	88,90	29,37	133,35	69,85	34	15,0	PHP 5-C80-E
				215,9	8,5	A-1	E	226,06	22,23	88,90	29,37	133,35	69,85	34	16,8	PHP 5-C85-E
				228,6	9,0	A-1	E	238,76	22,23	88,90	29,37	133,35	69,85	34	18,1	PHP 5-C90-E
				241,3	9,5	A-2	E	251,46	22,23	88,90	29,37	133,35	69,85	34	19,1	PHP 5-C95-E
				254,0	10,0	A-2	E	264,16	22,23	88,90	29,37	133,35	69,85	34	20,4	PHP 5-C100-E
266,7	10,5			A-2	E	276,86	22,23	88,90	29,37	133,35	69,85	34	21,3	PHP 5-C105-E		
279,4	11,0			A-2	E	289,56	22,23	88,90	29,37	133,35	69,85	34	22,7	PHP 5-C110-E		
304,8	12,0			A-2	E	314,96	22,23	88,90	29,37	133,35	69,85	34	24,0	PHP 5-C120-E		
330,2	13,0			A-3	E	340,36	22,23	88,90	29,37	133,35	69,85	34	26,3	PHP 5-C130-E		
355,6	14,0			A-3	E	365,76	22,23	88,90	29,37	133,35	69,85	34	29,0	PHP 5-C140-E		
406,4	16,0			A-3	E	416,56	22,23	88,90	29,37	133,35	69,85	34	33,1	PHP 5-C160-E		
457,2	18,0			A-3	E	467,36	22,23	88,90	29,37	133,35	69,85	34	38,6	PHP 5-C180-E		
508,0	20,0			D-3	F	518,16	25,40	101,60	2,38	133,35	95,25	40	44,5	PHP 5-C200-F		
609,6	24,0			D-3	F	619,76	25,40	101,60	2,38	133,35	95,25	40	54,0	PHP 5-C240-F		
685,8	27,0			D-3	F	695,96	25,40	101,60	2,38	133,35	95,25	40	69,4	PHP 5-C270-F		
762,0	30,0			D-3	F	772,16	25,40	101,60	2,38	133,35	95,25	40	78,9	PHP 5-C300-F		
914,4	36,0			A-3	J	924,56	38,10	114,30	1,59	133,35	117,48	14	93,4	PHP 5-C360-J		
1117,6	44,0			A-3	J	1127,76	38,10	114,30	1,59	133,35	117,48	14	115,2	PHP 5-C440-J		
1270,0	50,0			A-3	J	1280,16	38,10	114,30	1,59	133,35	117,48	14	124,3	PHP 5-C500-J		
C	6			152,4	6,0	A-1	SF	162,56	12,70	74,61	26,19	158,75	52,39	80	9,1	PHP 6-C60-SF
				177,8	7,0	A-1	SF	187,96	12,70	74,61	26,19	158,75	52,39	80	11,8	PHP 6-C70-SF
				190,5	7,5	A-1	SF	200,66	12,70	74,61	26,19	158,75	52,39	80	13,2	PHP 6-C75-SF
				203,2	8,0	A-1	E	213,36	22,23	88,90	29,37	158,75	69,85	60	16,3	PHP 6-C80-E
				215,9	8,5	A-1	E	226,06	22,23	88,90	29,37	158,75	69,85	60	17,7	PHP 6-C85-E
				228,6	9,0	A-1	F	238,76	25,40	101,60	26,19	158,75	95,25	37	23,1	PHP 6-C90-F
		241,3	9,5	A-1	F	251,46	25,40	101,60	26,19	158,75	95,25	37	25,0	PHP 6-C95-F		
		254,0	10,0	A-1	F	264,16	25,40	101,60	26,19	158,75	95,25	37	26,8	PHP 6-C100-F		
		266,7	10,5	A-2	F	276,86	25,40	101,60	26,19	158,75	95,25	37	28,1	PHP 6-C105-F		
		279,4	11,0	A-2	F	289,56	25,40	101,60	26,19	158,75	95,25	37	29,9	PHP 6-C110-F		
		304,8	12,0	A-2	F	314,96	25,40	101,60	26,19	158,75	95,25	37	31,8	PHP 6-C120-F		
		330,2	13,0	A-3	F	340,36	25,40	101,60	26,19	158,75	95,25	37	33,6	PHP 6-C130-F		
		355,6	14,0	A-3	F	365,76	25,40	101,60	26,19	158,75	95,25	37	36,3	PHP 6-C140-F		
		406,4	16,0	A-3	F	416,56	25,40	101,60	26,19	158,75	95,25	37	40,4	PHP 6-C160-F		
		457,2	18,0	A-3	F	467,36	25,40	101,60	26,19	158,75	95,25	37	46,3	PHP 6-C180-F		
		508,0	20,0	A-3	F	518,16	25,40	101,60	13,49	158,75	95,25	50	50,8	PHP 6-C200-F		
		609,6	24,0	A-3	F	619,76	25,40	101,60	13,49	158,75	95,25	50	59,4	PHP 6-C240-F		
		685,8	27,0	A-3	J	695,96	38,10	114,30	1,59	158,75	117,48	40	72,6	PHP 6-C270-J		
		762,0	30,0	A-3	J	772,16	38,10	114,30	1,59	158,75	117,48	40	86,2	PHP 6-C300-J		
		914,4	36,0	A-3	J	924,56	38,10	114,30	1,59	158,75	117,48	40	105,2	PHP 6-C360-J		
		1117,6	44,0	A-3	J	1127,76	38,10	114,30	1,59	158,75	117,48	40	135,6	PHP 6-C440-J		
		1270,0	50,0	B-3	M	1280,16	50,80	139,70	5,56	158,75	171,45	18	145,2	PHP 6-C500-M		

<sup>1)</sup> Please, note that 1 in pulley type stands for solid version, 2 for web version and 3 for arm/spoke version.

<sup>2)</sup> Mass does not include bushings.

**Classical V-belt pulleys**  
C QD bushed | D QD bushed



Section	Number of grooves	Pitch diameter		Pulley type <sup>1)</sup>	Bushing number	Dimensions						Mass <sup>2)</sup>	Designation		
		PD				Outer diameter OD	Bore Min.	Max.	E	F	L			M	
		mm	in.			mm									
C	8	203,2	8.0	A-1	E	213,36	22,23	88,90	51,59	209,55	69,85	88	19,5	PHP 8-C80-E	
		215,9	8.5	A-1	E	226,06	22,23	88,90	76,99	209,55	69,85	88	21,8	PHP 8-C85-E	
		228,6	9.0	A-1	F	238,76	25,40	101,60	48,42	209,55	95,25	66	27,2	PHP 8-C90-F	
		241,3	9.5	A-1	F	251,46	25,40	101,60	48,42	209,55	95,25	66	29,5	PHP 8-C95-F	
		254,0	10.0	A-1	F	264,16	25,40	101,60	48,42	209,55	95,25	66	31,3	PHP 8-C100-F	
			266,7	10.5	A-2	F	276,86	25,40	101,60	48,42	209,55	95,25	66	33,1	PHP 8-C105-F
			279,4	11.0	A-2	F	289,56	25,40	101,60	48,42	209,55	95,25	66	35,4	PHP 8-C110-F
			304,8	12.0	A-3	F	314,96	25,40	101,60	48,42	209,55	95,25	66	37,7	PHP 8-C120-F
			330,2	13.0	A-3	F	340,36	25,40	101,60	48,42	209,55	95,25	66	40,4	PHP 8-C130-F
			355,6	14.0	A-3	F	365,76	25,40	101,60	48,42	209,55	95,25	66	44,0	PHP 8-C140-F
			406,4	16.0	A-3	F	416,56	25,40	101,60	48,42	209,55	95,25	66	51,3	PHP 8-C160-F
			457,2	18.0	A-3	F	467,36	25,40	101,60	48,42	209,55	95,25	66	59,4	PHP 8-C180-F
			508,0	20.0	A-3	J	518,16	38,10	114,30	1,59	209,55	117,48	90	69,0	PHP 8-C200-J
			609,6	24.0	A-3	J	619,76	38,10	114,30	1,59	209,55	117,48	90	83,9	PHP 8-C240-J
			685,8	27.0	A-3	J	695,96	38,10	114,30	1,59	209,55	117,48	90	94,4	PHP 8-C270-J
			762,0	30.0	A-3	J	772,16	38,10	114,30	1,59	209,55	117,48	90	104,3	PHP 8-C300-J
			914,4	36.0	A-3	M	924,56	50,80	139,70	7,14	209,55	171,45	31	138,8	PHP 8-C360-M
			1117,6	44.0	A-3	M	1127,76	50,80	139,70	7,14	209,55	171,45	31	181,4	PHP 8-C440-M
			1270,0	50.0	A-3	M	1280,16	50,80	139,70	7,14	209,55	171,45	31	215,5	PHP 8-C500-M
	D	3	304,8	12.0	A-2	F	321,06	25,40	101,60	3,97	117,48	95,25	18	31,8	PHP 3-D120-F
330,2			13.0	A-2	F	346,46	25,40	101,60	3,97	117,48	95,25	18	34,5	PHP 3-D130-F	
342,9			13.5	A-2	F	359,16	25,40	101,60	3,97	117,48	95,25	18	35,8	PHP 3-D135-F	
355,6			14.0	A-2	F	371,86	25,40	101,60	3,97	117,48	95,25	18	37,2	PHP 3-D140-F	
368,3			14.5	A-3	F	384,56	25,40	101,60	3,97	117,48	95,25	18	38,6	PHP 3-D145-F	
			381,0	15.0	A-3	F	397,26	25,40	101,60	3,97	117,48	95,25	18	40,4	PHP 3-D150-F
			393,7	15.5	A-3	F	409,96	25,40	101,60	3,97	117,48	95,25	18	41,7	PHP 3-D155-F
			406,4	16.0	A-3	F	422,66	25,40	101,60	3,97	117,48	95,25	18	43,5	PHP 3-D160-F
			457,2	18.0	D-3	J	473,46	38,10	114,30	6,35	117,48	117,48	6	49,9	PHP 3-D180-J
			508,0	20.0	D-3	J	524,26	38,10	114,30	6,35	117,48	117,48	6	54,4	PHP 3-D200-J
			558,8	22.0	D-3	J	575,06	38,10	114,30	6,35	117,48	117,48	6	59,0	PHP 3-D220-J
			685,8	27.0	D-3	J	702,06	38,10	114,30	6,35	117,48	117,48	6	78,5	PHP 3-D270-J
			838,2	33.0	D-3	J	854,46	38,10	114,30	6,35	117,48	117,48	6	108,9	PHP 3-D330-J
			1016,0	40.0	D-3	J	1032,26	38,10	114,30	6,35	117,48	117,48	6	136,1	PHP 3-D440-J
D		4	304,8	12.0	A-2	F	321,06	25,40	101,60	24,61	153,99	95,25	34	37,7	PHP 4-D120-F
	330,2		13.0	A-2	F	346,46	25,40	101,60	24,61	153,99	95,25	34	39,0	PHP 4-D130-F	
	342,9		13.5	A-2	F	359,16	25,40	101,60	24,61	153,99	95,25	34	40,4	PHP 4-D135-F	
	355,6		14.0	A-2	F	371,86	25,40	101,60	24,61	153,99	95,25	34	41,7	PHP 4-D140-F	
	368,3		14.5	A-3	F	384,56	25,40	101,60	24,61	153,99	95,25	34	43,1	PHP 4-D145-F	
			381,0	15.0	A-3	F	397,26	25,40	101,60	24,61	153,99	95,25	34	44,9	PHP 4-D150-F
			393,7	15.5	A-3	F	409,96	25,40	101,60	24,61	153,99	95,25	34	46,3	PHP 4-D155-F
			406,4	16.0	A-3	F	422,66	25,40	101,60	24,61	153,99	95,25	34	48,1	PHP 4-D160-F
			457,2	18.0	A-3	J	473,46	38,10	114,30	3,18	153,99	117,48	33	54,4	PHP 4-D180-J
			508,0	20.0	A-3	J	524,26	38,10	114,30	3,18	153,99	117,48	33	59,9	PHP 4-D200-J
			558,8	22.0	A-3	J	575,06	38,10	114,30	3,18	153,99	117,48	33	70,3	PHP 4-D220-J
			685,8	27.0	A-3	J	702,06	38,10	114,30	3,18	153,99	117,48	33	87,5	PHP 4-D270-J
			838,2	33.0	B-3	M	854,46	50,80	139,70	8,73	153,99	171,45	26	127,0	PHP 4-D330-M
			1016,0	40.0	B-3	M	1032,26	50,80	139,70	8,73	153,99	171,45	26	157,9	PHP 4-D440-M
			1219,2	48.0	B-3	M	1235,46	50,80	139,70	8,73	153,99	171,45	26	172,4	PHP 4-D480-M
		1473,2	58.0	B-3	M	1489,46	50,80	139,70	8,73	153,99	171,45	26	190,5	PHP 4-D580-M	
D	5	304,8	12.0	A-2	F	321,06	25,40	101,60	43,66	190,50	95,25	52	42,2	PHP 5-D120-F	
		330,2	13.0	A-2	F	346,46	25,40	101,60	43,66	190,50	95,25	52	43,5	PHP 5-D130-F	
		342,9	13.5	A-2	F	359,16	25,40	101,60	43,66	190,50	95,25	52	46,3	PHP 5-D135-F	
		355,6	14.0	A-2	F	371,86	25,40	101,60	43,66	190,50	95,25	52	48,1	PHP 5-D140-F	

<sup>1)</sup> Please, note that 1 in pulley type stands for solid version, 2 for web version and 3 for arm/spoke version.  
<sup>2)</sup> Mass does not include bushings.



# Classical V-belt pulleys

## D QD bushed

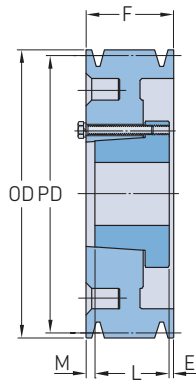
Section	Number of grooves	Pitch diameter		Pulley type <sup>1)</sup>	Bushing number	Dimensions						Mass <sup>2)</sup>	Designation	
		PD				Outer diameter OD	Bore Min.	Max.	E	F	L			M
		mm	in.											
D	5	368,3 381,0 393,7 406,4 457,2	14.5 15.0 15.5 16.0 18.0	A-3 A-3 A-3 A-3	F F F J	384,56 397,26 409,96 422,66 473,46	25,40 25,40 25,40 25,40 38,10	101,60 101,60 101,60 101,60 114,30	43,66 43,66 43,66 43,66 47,63	190,50 190,50 190,50 190,50 190,50	95,25 95,25 95,25 95,25 117,48	52 52 52 52 25	50,8 54,4 56,7 59,0 68,0	PHP 5-D145-F PHP 5-D150-F PHP 5-D155-F PHP 5-D160-F PHP 5-D180-J
		508,0 558,8 685,8 838,2 1016,0	20.0 22.0 27.0 33.0 40.0	A-3 A-3 A-3 A-3 A-3	J J M M M	524,26 575,06 702,06 854,46 1032,26	38,10 38,10 50,80 50,80 50,80	114,30 114,30 139,70 139,70 139,70	3,18 3,18 8,73 8,73 8,73	190,50 190,50 190,50 190,50 190,50	117,48 117,48 171,45 171,45 171,45	70 70 10 10 10	72,6 86,2 117,9 145,2 176,9	PHP 5-D200-J PHP 5-D220-J PHP 5-D270-M PHP 5-D330-M PHP 5-D400-M
		1219,2 1473,2	48.0 58.0	A-3 A-3	M M	1235,46 1489,46	50,80 50,80	139,70 139,70	8,73 8,73	190,50 190,50	171,45 171,45	10 10	204,1 226,8	PHP 5-D480-M PHP 5-D580-M
D	6	304,8 330,2 342,9 355,6 368,3	12.0 13.0 13.5 14.0 14.5	A-1 A-2 A-2 A-2 A-2	J J J J J	321,06 346,46 359,16 371,86 384,56	38,10 38,10 38,10 38,10 38,10	114,30 114,30 114,30 114,30 114,30	47,63 47,63 47,63 47,63 47,63	227,01 227,01 227,01 227,01 227,01	117,48 117,48 117,48 117,48 117,48	62 62 62 62 62	52,2 56,7 61,2 65,8 68,0	PHP 6-D120-J PHP 6-D130-J PHP 6-D135-J PHP 6-D140-J PHP 6-D145-J
		381,0 393,7 406,4 457,2 508,0	15.0 15.5 16.0 18.0 20.0	A-2 A-3 A-3 A-3 A-3	J J J J J	397,26 409,96 422,66 473,46 524,26	38,10 38,10 38,10 38,10 38,10	114,30 114,30 114,30 114,30 114,30	47,63 47,63 47,63 47,63 47,63	227,01 227,01 227,01 227,01 227,01	117,48 117,48 117,48 117,48 117,48	62 62 62 62 62	72,6 74,8 77,1 81,7 97,5	PHP 6-D150-J PHP 6-D155-J PHP 6-D160-J PHP 6-D180-J PHP 6-D200-J
		558,8 685,8 838,2 1016,0 1219,2	22.0 27.0 33.0 40.0 48.0	A-3 A-3 A-3 A-3 A-3	M M M M M	575,06 702,06 854,46 1032,26 1235,46	50,80 50,80 50,80 50,80 50,80	139,70 139,70 139,70 139,70 139,70	8,73 8,73 8,73 8,73 8,73	227,01 227,01 227,01 227,01 227,01	171,45 171,45 171,45 171,45 171,45	43 43 43 43 43	113,4 136,1 163,3 199,6 254,0	PHP 6-D220-M PHP 6-D270-M PHP 6-D330-M PHP 6-D400-M PHP 6-D480-M
		1473,2	58.0	A-3	N	1489,46	61,91	149,23	4,76	227,01	206,38	16	299,4	PHP 6-D580-N
D	8	304,8 330,2 342,9 355,6 368,3	12.0 13.0 13.5 14.0 14.5	A-1 A-2 A-2 A-2 A-2	J J J J J	321,06 346,46 359,16 371,86 384,56	38,10 38,10 38,10 38,10 38,10	114,30 114,30 114,30 114,30 114,30	53,98 53,98 53,98 53,98 53,98	300,04 300,04 300,04 300,04 300,04	117,48 117,48 117,48 117,48 117,48	129 129 129 129 129	63,5 68,0 72,6 77,1 80,7	PHP 8-D120-J PHP 8-D130-J PHP 8-D135-J PHP 8-D140-J PHP 8-D145-J
		381,0 393,7 406,4 457,2 508,0	15.0 15.5 16.0 18.0 20.0	A-2 A-2 A-2 A-3 A-3	J J J M M	397,26 409,96 422,66 473,46 524,26	38,10 38,10 38,10 50,80 50,80	114,30 114,30 114,30 139,70 139,70	53,98 53,98 53,98 59,53 59,53	300,04 300,04 300,04 300,04 300,04	117,48 117,48 117,48 171,45 171,45	129 129 129 69 69	82,6 86,2 91,2 117,9 122,5	PHP 8-D150-J PHP 8-D155-J PHP 8-D160-J PHP 8-D180-M PHP 8-D200-M
		558,8 685,8 838,2 1016,0 1219,2	22.0 27.0 33.0 40.0 48.0	A-3 A-3 A-3 A-3 A-3	M M M N N	575,06 702,06 854,46 1032,26 1235,46	50,80 50,80 50,80 61,91 61,91	139,70 139,70 139,70 149,23 149,23	8,73 8,73 8,73 4,76 4,76	300,04 300,04 300,04 300,04 300,04	171,45 171,45 171,45 206,38 206,38	120 120 120 89 89	136,1 158,8 204,1 249,5 326,6	PHP 8-D220-M PHP 8-D270-M PHP 8-D330-M PHP 8-D400-N PHP 8-D480-N
		1473,2	58.0	A-3	N	1489,46	61,91	149,23	4,76	300,04	206,38	89	408,2	PHP 8-D580-N
D	10	304,8 330,2 342,9 355,6 368,3	12.0 13.0 13.5 14.0 14.5	A-1 A-1 A-1 A-1 A-2	M M M M M	321,06 346,46 359,16 371,86 384,56	50,80 50,80 50,80 50,80 50,80	139,70 139,70 139,70 139,70 139,70	59,53 59,53 59,53 59,53 59,53	373,06 373,06 373,06 373,06 373,06	171,45 171,45 171,45 171,45 171,45	148 148 148 148 148	86,2 99,8 108,9 113,4 117,9	PHP 10-D120-M PHP 10-D130-M PHP 10-D135-M PHP 10-D140-M PHP 10-D145-M
		381,0 393,7 406,4 457,2 508,0	15.0 15.5 16.0 18.0 20.0	A-2 A-2 A-2 A-2 A-2	M M M M M	397,26 409,96 422,66 473,46 524,26	50,80 50,80 50,80 50,80 50,80	139,70 139,70 139,70 139,70 139,70	59,53 59,53 59,53 59,53 59,53	373,06 373,06 373,06 373,06 373,06	171,45 171,45 171,45 171,45 171,45	148 148 148 148 148	122,5 127,0 131,5 140,6 149,7	PHP 10-D150-M PHP 10-D155-M PHP 10-D160-M PHP 10-D180-M PHP 10-D200-M
		558,8 685,8 838,2 1016,0 1219,2	22.0 27.0 33.0 40.0 48.0	A-3 A-3 A-3 A-3 A-3	M M N N P	575,06 702,06 854,46 1032,26 1235,46	50,80 50,80 61,91 61,91 74,61	139,70 139,70 149,23 149,23 177,80	59,53 59,53 30,16 30,16 6,35	373,06 373,06 373,06 373,06 373,06	171,45 171,45 206,38 206,38 238,13	173 173 143 143 129	158,8 199,6 226,8 294,8 417,3	PHP 10-D220-M PHP 10-D270-M PHP 10-D330-N PHP 10-D400-N PHP 10-D480-P
		1473,2	58.0	A-3	P	1489,46	74,61	177,80	6,35	373,06	238,13	129	499,0	PHP 10-D580-P
D	12	304,8 330,2 342,9 355,6 368,3	12.0 13.0 13.5 14.0 14.5	A-1 A-1 A-1 A-1 A-1	M M M M M	321,06 346,46 359,16 371,86 384,56	50,80 50,80 50,80 50,80 50,80	139,70 139,70 139,70 139,70 139,70	84,93 84,93 84,93 84,93 84,93	446,09 446,09 446,09 446,09 446,09	171,45 171,45 171,45 171,45 171,45	190 190 190 190 190	99,8 113,4 122,5 127,0 136,1	PHP 12-D120-M PHP 12-D130-M PHP 12-D135-M PHP 12-D140-M PHP 12-D145-M
		381,0 393,7 406,4 457,2 508,0	15.0 15.5 16.0 18.0 20.0	A-2 A-1 A-2 A-2 A-2	M M M M M	397,26 409,96 422,66 473,46 524,26	50,80 50,80 50,80 50,80 50,80	139,70 139,70 139,70 139,70 139,70	84,93 84,93 84,93 84,93 84,93	446,09 446,09 446,09 446,09 446,09	171,45 171,45 171,45 171,45 171,45	190 190 190 190 190	138,4 140,6 145,2 154,2 163,3	PHP 12-D150-M PHP 12-D155-M PHP 12-D160-M PHP 12-D180-M PHP 12-D200-M
		558,8	22.0	A-3	M	575,06	50,80	139,70	59,53	446,09	171,45	215	181,4	PHP 12-D220-M

<sup>1)</sup> Please, note that 1 in pulley type stands for solid version, 2 for web version and 3 for arm/spoke version.

<sup>2)</sup> Mass does not include bushings.

# Classical V-belt pulleys

D QD bushed



Type A

Section	Number of grooves	Pitch diameter		Pulley type <sup>1)</sup>	Bushing number	Dimensions						Mass <sup>2)</sup>	Designation	
		PD				Outer diameter OD	Bore Min.	Max.	E	F	L			M
-	-	mm	in.	-	-	mm						kg	-	
D	12	685,8	27,0	A-3	N	702,06	61,91	149,23	55,56	446,09	206,38	184	235,9	PHP 12-D270-N
		838,2	33,0	A-3	N	854,46	61,91	149,23	58,74	446,09	206,38	184	301,6	PHP 12-D330-N
		1016,0	40,0	A-3	P	1032,26	74,61	177,80	6,35	446,09	238,13	202	394,6	PHP 12-D400-P
		1219,2	48,0	A-3	P	1235,46	74,61	177,80	6,35	446,09	238,13	202	494,4	PHP 12-D480-P
		1473,2	58,0	A-3	P	1489,46	74,61	177,80	6,35	446,09	238,13	202	589,7	PHP 12-D580-P

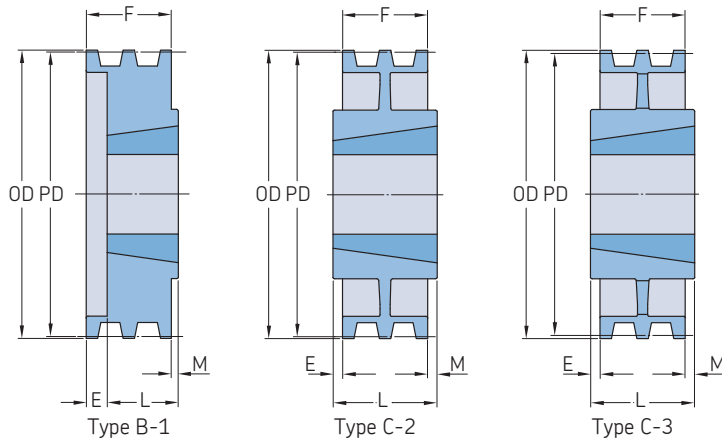
<sup>1)</sup> Please, note that 1 in pulley type stands for solid version, 2 for web version and 3 for arm/spoke version.

<sup>2)</sup> Mass does not include bushings.



# Narrow wedge belt pulleys

3V taper bushed



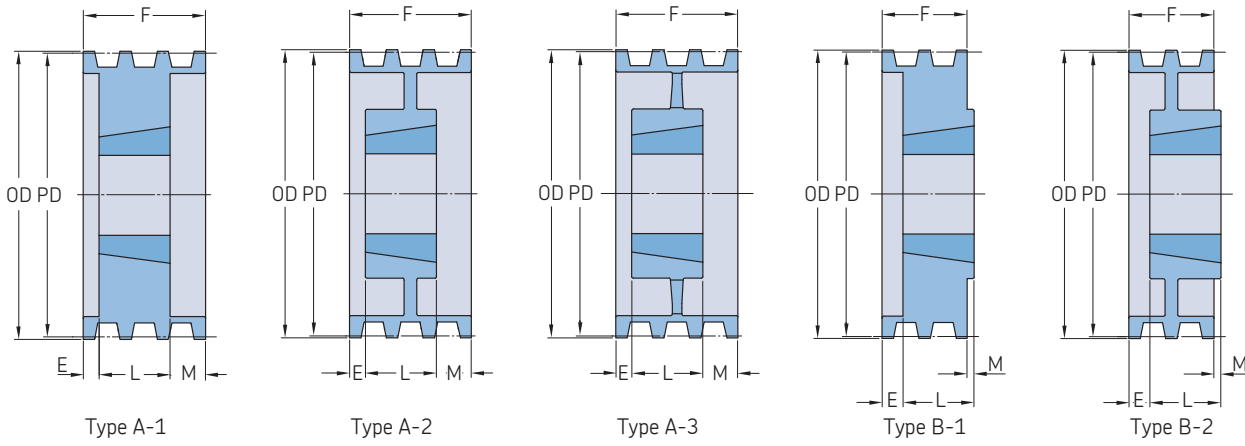
Section	Number of grooves	Pitch diameter PD	Pulley type	Bushing number	Dimensions		B Min.	Max.	F	E	L	M	Mass <sup>2)</sup> kg	Designation
					Outer diameter OD	in.								
3V	1	66,04	B-1	1108	67,31	2,65	9,53	28,58	26,99	5,56	22,23	27,78	0,34	PHP 1-3V265TB
		69,85	B-1	1108	71,12	2,80	9,53	28,58	26,99	5,56	22,23	27,78	0,39	PHP 1-3V280TB
		74,93	B-1	1108	76,20	3,00	9,53	28,58	26,99	5,56	22,23	27,78	0,45	PHP 1-3V300TB
		78,74	B-1	1108	80,01	3,15	9,53	28,58	26,99	5,56	22,23	27,78	0,45	PHP 1-3V315TB
		83,82	B-1	1610	85,09	3,35	12,70	41,28	26,99	2,38	25,40	27,78	0,50	PHP 1-3V335TB
		91,44	B-1	1610	92,71	3,65	12,70	41,28	26,99	2,38	25,40	27,78	0,59	PHP 1-3V365TB
		103,38	B-1	1610	104,65	4,12	12,70	41,28	26,99	2,38	25,40	27,78	0,91	PHP 1-3V412TB
		113,03	B-1	1610	114,30	4,50	12,70	41,28	26,99	2,38	25,40	27,78	1,04	PHP 1-3V450TB
		119,38	B-1	1610	120,65	4,75	12,70	41,28	26,99	2,38	25,40	27,78	1,18	PHP 1-3V475TB
		125,73	B-1	1610	127,00	5,00	12,70	41,28	26,99	2,38	25,40	27,78	1,32	PHP 1-3V500TB
		133,35	B-1	1610	134,62	5,30	12,70	41,28	26,99	2,38	25,40	27,78	1,50	PHP 1-3V530TB
		140,97	B-1	1610	142,24	5,60	12,70	41,28	26,99	2,38	25,40	27,78	1,68	PHP 1-3V560TB
		151,13	B-1	1610	152,40	6,00	12,70	41,28	26,99	2,38	25,40	27,78	1,91	PHP 1-3V600TB
		163,83	B-1	1610	165,10	6,50	12,70	41,28	26,99	2,38	25,40	27,78	2,27	PHP 1-3V650TB
		173,99	B-1	1610	175,26	6,90	12,70	41,28	26,99	2,38	25,40	27,78	2,54	PHP 1-3V690TB
		201,93	C-2	2517 <sup>1)</sup>	203,20	8,00	19,05	63,50	26,99	-	44,45	27,78	3,86	PHP 1-3V800TB
		267,97	C-2	2517 <sup>1)</sup>	269,24	10,60	19,05	63,50	26,99	-	44,45	27,78	6,35	PHP 1-3V1060TB
		354,33	C-3	2517 <sup>1)</sup>	355,60	14,00	19,05	63,50	26,99	-	44,45	27,78	9,07	PHP 1-3V1400TB
		481,33	C-3	3020	482,60	19,00	31,75	76,20	26,99	-	50,80	27,78	11,79	PHP 1-3V1900TB
3V	2	66,04	B-1	1108	67,31	2,65	9,53	28,58	27,78	5,56	22,23	-	0,34	PHP 2-3V265TB
		69,85	B-1	1108	71,12	2,80	9,53	28,58	27,78	12,70	22,23	27,78	0,41	PHP 2-3V280TB
		74,93	B-1	1210	76,20	3,00	15,88	31,75	27,78	2,38	25,40	-	0,64	PHP 2-3V300TB
		78,74	B-1	1210	80,01	3,15	15,88	31,75	27,78	12,70	25,40	27,78	0,45	PHP 2-3V315TB
		83,82	B-1	1610	85,09	3,35	12,70	41,28	27,78	12,70	25,40	27,78	0,68	PHP 2-3V335TB
		91,44	B-1	1610	92,71	3,65	12,70	41,28	27,78	2,38	25,40	-	0,73	PHP 2-3V365TB
		103,38	B-1	1610	104,65	4,12	12,70	41,28	27,78	2,38	25,40	-	0,95	PHP 2-3V412TB
		113,03	B-1	1610	114,30	4,50	12,70	41,28	27,78	2,38	25,40	-	1,22	PHP 2-3V450TB
		119,38	B-1	1610	120,65	4,75	12,70	41,28	27,78	2,38	25,40	-	1,41	PHP 2-3V475TB
		125,73	B-1	1610	127,00	5,00	12,70	41,28	27,78	2,38	25,40	-	1,63	PHP 2-3V500TB
		133,35	B-1	1610	134,62	5,30	12,70	41,28	27,78	2,38	25,40	-	1,91	PHP 2-3V530TB
		140,97	B-1	1610	142,24	5,60	12,70	41,28	27,78	2,38	25,40	-	2,18	PHP 2-3V560TB
		151,13	B-1	1610	152,40	6,00	12,70	41,28	27,78	2,38	25,40	-	2,63	PHP 2-3V600TB
		163,83	B-1	1610	165,10	6,50	12,70	41,28	27,78	2,38	25,40	-	3,18	PHP 2-3V650TB
		173,99	B-1	1610	175,26	6,90	12,70	41,28	27,78	2,38	25,40	-	3,63	PHP 2-3V690TB
		201,93	C-2	2517 <sup>1)</sup>	203,20	8,00	19,05	63,50	27,78	-	44,45	16,67	4,99	PHP 2-3V800TB
		267,97	C-2	2517 <sup>1)</sup>	269,24	10,60	19,05	63,50	27,78	-	44,45	16,67	6,80	PHP 2-3V1060TB
		354,33	C-3	2517 <sup>1)</sup>	355,60	14,00	19,05	63,50	27,78	-	44,45	16,67	9,98	PHP 2-3V1400TB
		481,33	C-3	3020	482,60	19,00	31,75	76,20	27,78	3,18	50,80	23,02	14,51	PHP 2-3V1900TB
		633,73	C-3	3020	635,00	25,00	31,75	76,20	27,78	3,18	50,80	19,84	20,41	PHP 2-3V2500TB
3V	3	69,85	B-1	1108	71,12	2,80	9,53	28,58	38,10	15,88	22,23	27,78	0,50	PHP 3-3V280TB
		74,93	B-1	1210	76,20	3,00	15,88	31,75	38,10	23,02	25,40	-	0,82	PHP 3-3V300TB
		78,74	B-1	1210	80,01	3,15	15,88	31,75	38,10	12,70	25,40	27,78	0,68	PHP 3-3V315TB
		83,82	B-1	1610	85,09	3,35	12,70	41,28	38,10	23,02	25,40	27,78	0,82	PHP 3-3V335TB
		91,44	B-1	1610	92,71	3,65	12,70	41,28	38,10	23,02	25,40	-	0,91	PHP 3-3V365TB
		103,38	B-1	1610	104,65	4,12	12,70	41,28	38,10	12,70	25,40	-	1,18	PHP 3-3V412TB
		113,03	B-1	1610	114,30	4,50	12,70	41,28	38,10	12,70	25,40	-	1,45	PHP 3-3V450TB
		119,38	B-1	1610	120,65	4,75	12,70	41,28	38,10	12,70	25,40	-	1,68	PHP 3-3V475TB
		125,73	B-1	1610	127,00	5,00	12,70	41,28	38,10	12,70	25,40	-	1,91	PHP 3-3V500TB
		133,35	B-1	1610	134,62	5,30	12,70	41,28	38,10	12,70	25,40	-	2,18	PHP 3-3V530TB
		140,97	B-1	1610	142,24	5,60	12,70	41,28	38,10	12,70	25,40	-	2,49	PHP 3-3V560TB
		151,13	B-1	2517 <sup>1)</sup>	152,40	6,00	19,05	63,50	38,10	3,97	44,45	10,32	3,36	PHP 3-3V600TB
		163,83	B-1	2517 <sup>1)</sup>	165,10	6,50	19,05	63,50	38,10	3,97	44,45	10,32	4,13	PHP 3-3V650TB
		173,99	B-1	2517 <sup>1)</sup>	175,26	6,90	19,05	63,50	38,10	3,97	44,45	10,32	4,54	PHP 3-3V690TB
		201,93	C-2	2517 <sup>1)</sup>	203,20	8,00	19,05	63,50	38,10	3,97	44,45	10,32	6,80	PHP 3-3V800TB

<sup>1)</sup> Taper bushing needs to conform to coarse thread series (UNC) of the ASME/ANSI standard. To complete designation, add U before bushing number and bore size at the end of designation, e.g. PHF TBU3535X70MM.

<sup>2)</sup> Mass does not include bushings.

**Narrow wedge belt pulleys**

3V taper bushed



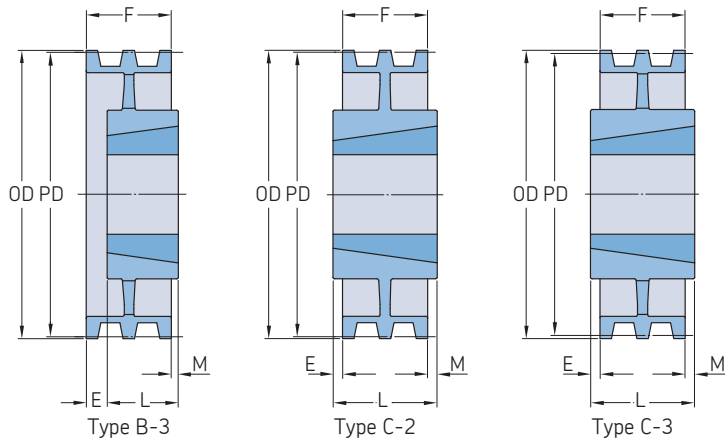
Section	Number of grooves	Pitch diameter PD	Pulley type	Bushing number	Dimensions		B Min.	Max.	F	E	L	M	Mass <sup>2)</sup>	Designation		
					Outer diameter OD	in.										
		mm			mm	in.							kg			
3V	3	267,97	C-2	2517 <sup>1)</sup>	269,24	10,60	19,05	63,50	38,10	-	44,45	6,35	8,16	PHP 3-3V1060TB		
		354,33	C-3	2517 <sup>1)</sup>	355,60	14,00	19,05	63,50	38,10	-	44,45	6,35	11,34	PHP 3-3V1400TB		
		481,33	C-3	3020	482,60	19,00	31,75	76,20	38,10	-	50,80	12,70	15,42	PHP 3-3V1900TB		
		633,73	C-3	3020	635,00	25,00	31,75	76,20	38,10	-	50,80	12,70	22,23	PHP 3-3V2500TB		
		849,63	C-3	3020	850,90	33,50	31,75	76,20	38,10	6,35	50,80	6,35	30,39	PHP 3-3V3500TB		
3V	4	69,85	B-1	1108	71,12	2,80	9,53	28,58	48,42	33,34	22,23	27,78	0,59	PHP 4-3V280TB		
		74,93	B-1	1210	76,20	3,00	15,88	31,75	48,42	23,02	25,40	-	0,95	PHP 4-3V300TB		
		78,74	B-1	1210	80,01	3,15	15,88	31,75	48,42	33,34	25,40	27,78	0,86	PHP 4-3V315TB		
		83,82	B-1	1610	85,09	3,35	12,70	41,28	48,42	23,02	25,40	-	1,00	PHP 4-3V335TB		
		91,44	B-1	1610	92,71	3,65	12,70	41,28	48,42	23,02	25,40	-	0,91	PHP 4-3V365TB		
		103,38	B-1	1610	104,65	4,12	12,70	41,28	48,42	23,02	25,40	-	1,36	PHP 4-3V412TB		
		113,03	B-1	1610	114,30	4,50	12,70	41,28	48,42	23,02	25,40	-	1,68	PHP 4-3V450TB		
		119,38	B-1	1610	120,65	4,75	12,70	41,28	48,42	23,02	25,40	-	1,91	PHP 4-3V475TB		
		125,73	B-1	1610	127,00	5,00	12,70	41,28	48,42	23,02	25,40	-	2,18	PHP 4-3V500TB		
		133,35	B-1	1610	134,62	5,30	12,70	41,28	48,42	23,02	25,40	-	2,49	PHP 4-3V530TB		
		140,97	B-1	1610	142,24	5,60	12,70	41,28	48,42	23,02	25,40	-	2,81	PHP 4-3V560TB		
		151,13	B-1	2517 <sup>1)</sup>	152,40	6,00	19,05	63,50	48,42	3,97	44,45	-	3,63	PHP 4-3V600TB		
		163,83	B-1	2517 <sup>1)</sup>	165,10	6,50	19,05	63,50	48,42	3,97	44,45	-	4,54	PHP 4-3V650TB		
		173,99	B-1	2517 <sup>1)</sup>	175,26	6,90	19,05	63,50	48,42	3,97	44,45	-	5,44	PHP 4-3V690TB		
		201,93	B-1	2517 <sup>1)</sup>	203,20	8,00	19,05	63,50	48,42	3,97	44,45	-	8,16	PHP 4-3V800TB		
		267,97	A-2	2517 <sup>1)</sup>	269,24	10,60	19,05	63,50	48,42	3,97	44,45	-	9,07	PHP 4-3V1060TB		
		354,33	C-3	2517 <sup>1)</sup>	355,60	14,00	19,05	63,50	48,42	-	44,45	3,97	13,15	PHP 4-3V1400TB		
		481,33	C-3	3020	482,60	19,00	31,75	76,20	48,42	-	76,20	27,78	20,41	PHP 4-3V1900TB		
		633,73	C-3	3020	635,00	25,00	31,75	76,20	48,42	-	76,20	27,78	28,58	PHP 4-3V2500TB		
		849,63	C-3	3030	850,90	33,50	31,75	76,20	48,42	13,89	76,20	13,89	36,74	PHP 4-3V3500TB		
3V	5	119,38	B-1	2517 <sup>1)</sup>	120,65	4,75	19,05	63,50	74,61	14,29	44,45	-	1,72	PHP 5-3V475TB		
		125,73	B-1	2517 <sup>1)</sup>	127,00	5,00	19,05	63,50	74,61	14,29	44,45	-	2,18	PHP 5-3V500TB		
		133,35	B-1	2517 <sup>1)</sup>	134,62	5,30	19,05	63,50	74,61	14,29	44,45	-	2,68	PHP 5-3V530TB		
		140,97	B-1	2517 <sup>1)</sup>	142,24	5,60	19,05	63,50	74,61	14,29	44,45	-	3,18	PHP 5-3V560TB		
		151,13	B-1	2517 <sup>1)</sup>	152,40	6,00	19,05	63,50	74,61	14,29	44,45	-	3,95	PHP 5-3V600TB		
		163,83	B-1	2517 <sup>1)</sup>	165,10	6,50	19,05	63,50	74,61	14,29	44,45	-	4,99	PHP 5-3V650TB		
		173,99	B-1	2517 <sup>1)</sup>	175,26	6,90	19,05	63,50	74,61	14,29	44,45	-	5,90	PHP 5-3V690TB		
		201,93	B-1	2517 <sup>1)</sup>	203,20	8,00	19,05	63,50	74,61	14,29	44,45	-	8,62	PHP 5-3V800TB		
		267,97	B-2	2517 <sup>1)</sup>	269,24	10,60	19,05	63,50	74,61	14,29	44,45	-	11,79	PHP 5-3V1060TB		
		354,33	C-3	2517 <sup>1)</sup>	355,60	14,00	19,05	63,50	74,61	-	44,45	14,29	15,42	PHP 5-3V1400TB		
		481,33	C-3	3030	482,60	19,00	31,75	76,20	74,61	-	76,20	17,46	21,32	PHP 5-3V1900TB		
		633,73	C-3	3030	635,00	25,00	31,75	76,20	74,61	-	76,20	17,46	29,94	PHP 5-3V2500TB		
		849,63	C-3	3030	850,90	33,50	31,75	76,20	74,61	8,73	76,20	17,46	39,01	PHP 5-3V3500TB		
		3V	6	119,38	B-1	2517 <sup>1)</sup>	120,65	4,75	19,05	63,50	69,06	24,61	44,45	-	2,00	PHP 6-3V475TB
				125,73	B-1	2517 <sup>1)</sup>	127,00	5,00	19,05	63,50	69,06	24,61	44,45	-	2,45	PHP 6-3V500TB
133,35	B-1			2517 <sup>1)</sup>	134,62	5,30	19,05	63,50	69,06	24,61	44,45	-	2,95	PHP 6-3V530TB		
140,97	B-1			2517 <sup>1)</sup>	142,24	5,60	19,05	63,50	69,06	24,61	44,45	-	3,49	PHP 6-3V560TB		
151,13	B-1			2517 <sup>1)</sup>	152,40	6,00	19,05	63,50	69,06	24,61	44,45	-	4,31	PHP 6-3V600TB		
163,83	B-1			2517 <sup>1)</sup>	165,10	6,50	19,05	63,50	69,06	24,61	44,45	-	5,44	PHP 6-3V650TB		
173,99	B-1			2517 <sup>1)</sup>	175,26	6,90	19,05	63,50	69,06	24,61	44,45	-	5,90	PHP 6-3V690TB		
201,93	B-1			2517 <sup>1)</sup>	203,20	8,00	19,05	63,50	69,06	24,61	44,45	-	9,07	PHP 6-3V800TB		
267,97	B-2			2517 <sup>1)</sup>	269,24	10,60	19,05	63,50	69,06	24,61	44,45	-	13,15	PHP 6-3V1060TB		
354,33	B-3			2517 <sup>1)</sup>	355,60	14,00	19,05	63,50	69,06	5,56	44,45	19,05	18,60	PHP 6-3V1400TB		
481,33	C-3			3020	482,60	19,00	31,75	76,20	69,06	-	76,20	7,14	23,13	PHP 6-3V1900TB		
633,73	C-3			3030	635,00	25,00	31,75	76,20	69,06	-	76,20	7,14	32,66	PHP 6-3V2500TB		
849,63	C-3			3030	850,90	33,50	31,75	76,20	69,06	3,57	76,20	3,57	41,73	PHP 6-3V3500TB		
3V	8			119,38	B-1	2517 <sup>1)</sup>	120,65	4,75	19,05	63,50	89,69	45,24	44,45	-	2,63	PHP 8-3V475TB
				125,73	B-1	2517 <sup>1)</sup>	127,00	5,00	19,05	63,50	89,69	45,24	44,45	-	2,90	PHP 8-3V500TB

<sup>1)</sup> Taper bushing needs to conform to coarse thread series (UNC) of the ASME/ANSI standard. To complete designation, add U before bushing number and bore size at the end of designation, e.g. PHF TBU3535X70MM.

<sup>2)</sup> Mass does not include bushings.

# Narrow wedge belt pulleys

3V taper bushed | 5V taper bushed



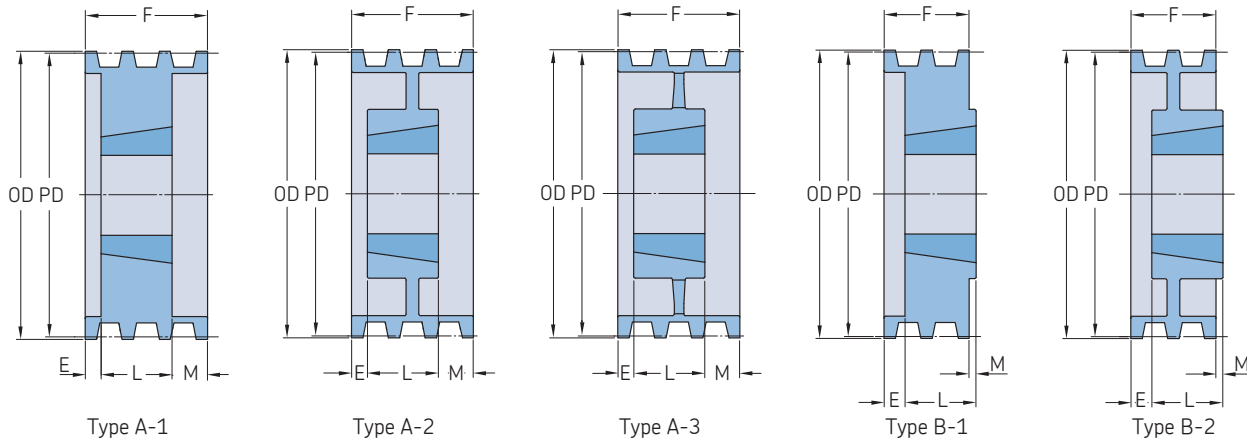
Section	Number of grooves	Pitch diameter PD	Pulley type	Bushing number	Dimensions		B Min.	Max.	F	E	L	M	Mass <sup>2)</sup> kg	Designation				
					Outer diameter OD	in.												
3V	8	133,35	A-1	2517 <sup>1)</sup>	134,62	5.30	19.05	63.50	89.69	26.19	44.45	19.05	3.54	PHP 8-3V530TB				
		140,97	A-1	2517 <sup>1)</sup>	142,24	5.60	19.05	63.50	89.69	6.35	44.45	38.89	4.17	PHP 8-3V560TB				
		151,13	A-1	2517 <sup>1)</sup>	152,40	6.00	19.05	63.50	89.69	6.35	44.45	38.89	4.99	PHP 8-3V600TB				
		163,83	A-1	2517 <sup>1)</sup>	165,10	6.50	19.05	63.50	89.69	6.35	44.45	38.89	6.35	PHP 8-3V650TB				
		173,99	A-1	2517 <sup>1)</sup>	175,26	6.90	19.05	63.50	89.69	6.35	44.45	38.89	7.26	PHP 8-3V690TB				
	849,63	C-3	201,93	A-1	3020	203,20	8.00	31.75	76.20	89.69	12.70	50.80	26.19	9.98	PHP 8-3V800TB			
			267,97	A-2	3020	269,24	10.60	31.75	76.20	89.69	12.70	50.80	26.19	12.70	PHP 8-3V1060TB			
			354,33	A-3	3020	355,60	14.00	31.75	76.20	89.69	-	76.20	13.49	23.59	PHP 8-3V1400TB			
			481,33	A-3	3535 <sup>1)</sup>	482,60	19.00	50.80	100.01	89.69	-	88.90	0.79	30.39	PHP 8-3V1900TB			
			633,73	A-3	3535 <sup>1)</sup>	635,00	25.00	50.80	100.01	89.69	-	88.90	0.79	42.18	PHP 8-3V2500TB			
			3V	10	119,38	B-1	2517 <sup>1)</sup>	120,65	4.75	19.05	63.50	110.33	65.88	44.45	-	3.18	PHP 10-3V475TB	
					125,73	B-1	2517 <sup>1)</sup>	127,00	5.00	19.05	63.50	110.33	65.88	44.45	19.05	3.63	PHP 10-3V500TB	
					133,35	A-1	2517 <sup>1)</sup>	134,62	5.30	19.05	63.50	110.33	65.88	44.45	-	4.08	PHP 10-3V530TB	
					140,97	A-1	2517 <sup>1)</sup>	142,24	5.60	19.05	63.50	110.33	12.70	44.45	53.18	4.99	PHP 10-3V560TB	
					151,13	A-1	2517 <sup>1)</sup>	152,40	6.00	19.05	63.50	110.33	12.70	44.45	53.18	5.90	PHP 10-3V600TB	
					163,83	A-1	173,99	A-1	2517 <sup>1)</sup>	175,26	6.90	19.05	63.50	110.33	12.70	44.45	53.18	6.80
201,93	A-1	3020	203,20	8.00			31.75	76.20	110.33	6.35	50.80	53.18	10.43	PHP 10-3V800TB				
267,97	A-2	3020	269,24	10.60			31.75	76.20	110.33	21.43	50.80	38.10	14.06	PHP 10-3V1060TB				
354,33	A-2	3535 <sup>1)</sup>	355,60	14.00			50.80	88.90	110.33	-	88.90	21.43	22.68	PHP 10-3V1400TB				
481,33	A-3	3535 <sup>1)</sup>	482,60	19.00			50.80	88.90	110.33	-	88.90	21.43	34.02	PHP 10-3V1900TB				
		4040	635,00	25.00			44.45	112.71	110.33	-	101.60	8.73	55.34	PHP 10-3V2500TB				
849,63	A-3	4040	850,90	33.50			44.45	112.71	110.33	4.37	101.60	4.37	78.02	PHP 10-3V3350TB				
5V	2	177,80	B-1	2517 <sup>1)</sup>			180,34	7.10	19.05	63.50	42.86	1.59	44.45	-	4.54	PHP 2-5V710TB		
		187,96	B-1	2517 <sup>1)</sup>			190,50	7.50	19.05	63.50	42.86	1.59	44.45	-	5.44	PHP 2-5V750TB		
		200,66	B-1	2517 <sup>1)</sup>			203,20	8.00	19.05	63.50	42.86	1.59	44.45	-	6.35	PHP 2-5V800TB		
		213,36	B-2	2517 <sup>1)</sup>			215,90	8.50	19.05	63.50	42.86	1.59	44.45	-	5.90	PHP 2-5V850TB		
		226,06	B-2	2517 <sup>1)</sup>	228,60	9.00	19.05	63.50	42.86	1.59	44.45	-	7.26	PHP 2-5V900TB				
		232,41	C-2	3020	234,95	9.25	31.75	76.20	42.86	-	50.80	7.94	7.71	PHP 2-5V925TB				
				3020	247,65	9.75	31.75	76.20	42.86	-	50.80	7.94	8.62	PHP 2-5V975TB				
				3020	261,62	10.30	31.75	76.20	42.86	-	50.80	7.94	9.98	PHP 2-5V1030TB				
				3020	276,86	10.90	31.75	76.20	42.86	-	50.80	7.94	10.89	PHP 2-5V1090TB				
				3020	299,72	11.80	31.75	76.20	42.86	-	50.80	7.94	11.79	PHP 2-5V1180TB				
	314,96	C-2	3020	317,50	12.50	31.75	76.20	42.86	-	50.80	7.94	12.70	PHP 2-5V1250TB					
			3020	335,28	13.20	31.75	76.20	42.86	-	50.80	7.94	9.53	PHP 2-5V1320TB					
			3020	355,60	14.00	31.75	76.20	42.86	-	50.80	7.94	10.43	PHP 2-5V1400TB					
			3020	381,00	15.00	31.75	76.20	42.86	-	50.80	7.94	11.79	PHP 2-5V1500TB					
			3020	406,40	16.00	31.75	76.20	42.86	-	50.80	7.94	12.70	PHP 2-5V1600TB					
		535,94	C-3	3535 <sup>1)</sup>	538,48	21.20	50.80	100.01	42.86	9.53	88.90	36.51	23.13	PHP 2-5V2120TB				
				3535 <sup>1)</sup>	711,20	28.00	50.80	100.01	42.86	9.53	88.90	36.51	31.30	PHP 2-5V2800TB				
				5V	3	177,80	B-1	2517 <sup>1)</sup>	180,34	7.10	19.05	63.50	60.33	15.88	44.45	-	5.90	PHP 3-5V710TB
						187,96	B-1	2517 <sup>1)</sup>	190,50	7.50	19.05	63.50	60.33	15.88	44.45	-	6.80	PHP 3-5V750TB
						200,66	B-1	2517 <sup>1)</sup>	203,20	8.00	19.05	63.50	60.33	15.88	44.45	-	8.16	PHP 3-5V800TB
213,36	B-2	2517 <sup>1)</sup>	215,90	8.50	19.05	63.50	60.33	15.88	44.45	-	9.07	PHP 3-5V850TB						
		2517 <sup>1)</sup>	228,60	9.00	19.05	63.50	60.33	15.88	44.45	-	9.07	PHP 3-5V900TB						
232,41	A-2	3020	234,95	9.25	31.75	76.20	60.33	-	50.80	9.53	9.53	PHP 3-5V925TB						
		3020	247,65	9.75	31.75	76.20	60.33	-	50.80	9.53	10.89	PHP 3-5V975TB						
		3020	261,62	10.30	31.75	76.20	60.33	-	50.80	9.53	11.34	PHP 3-5V1030TB						
		3020	276,86	10.90	31.75	76.20	60.33	-	50.80	9.53	12.25	PHP 3-5V1090TB						
	297,18	A-2	3020	299,72	11.80	31.75	76.20	60.33	-	50.80	9.53	13.15	PHP 3-5V1180TB					
			314,96	A-3	3020	317,50	12.50	31.75	76.20	60.33	-	50.80	9.53	14.51	PHP 3-5V1250TB			

<sup>1)</sup> Taper bushing needs to conform to coarse thread series (UNC) of the ASME/ANSI standard. To complete designation, add U before bushing number and bore size at the end of designation, e.g. PHF TBU3535X70MM.

<sup>2)</sup> Mass does not include bushings.

# Narrow wedge belt pulleys

5V taper bushed



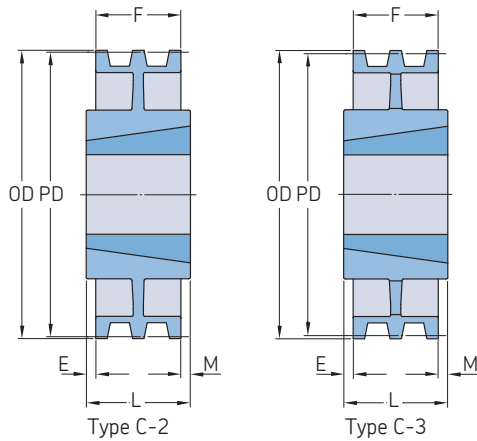
Section	Number of grooves	Pitch diameter PD	Pulley type	Bushing number	Dimensions		B Min.	Max.	F	E	L	M	Mass <sup>2)</sup> kg	Designation		
					Outer diameter OD	<i>in.</i>										
–	–	mm	–	–	mm	<i>in.</i>										
5V	3	332,74	A-3	3020	335,28	13.20	31.75	76.20	60.33	–	50.80	9.53	15,42	PHP 3-5V1320TB		
		353,06	A-3	3020	355,60	14.00	31.75	76.20	60.33	–	50.80	9.53	16,33	PHP 3-5V1400TB		
		378,46	A-3	3020	381,00	15.00	31.75	76.20	60.33	–	50.80	9.53	16,78	PHP 3-5V1500TB		
		403,86	A-3	3020	406,40	16.00	31.75	76.20	60.33	–	50.80	9.53	17,24	PHP 3-5V1600TB		
		535,94	C-3	3535 <sup>1)</sup>	538,48	21.20	50.80	100.01	60.33	–	88.90	28.58	29,48	PHP 3-5V2120TB		
	3	708,66	C-3	3535 <sup>1)</sup>	711,20	28.00	50.80	100.01	60.33	–	88.90	28.58	42,18	PHP 3-5V2800TB		
		949,96	C-3	4040	952,50	37.50	44.45	112.71	60.33	12.70	101.60	28.58	64,41	PHP 3-5V3750TB		
		1267,46	C-3	4040	1270,00	50.00	44.45	112.71	60.33	12.70	101.60	28.58	91,63	PHP 3-5V5000TB		
		5V	4	177,80	B-1	2517 <sup>2)</sup>	180,34	7.10	19.05	63.50	77.79	33.34	44.45	–	6,80	PHP 4-5V710TB
				187,96	B-1	2517 <sup>2)</sup>	190,50	7.50	19.05	63.50	77.79	33.34	44.45	–	8,16	PHP 4-5V750TB
200,66	B-1			2517 <sup>2)</sup>	203,20	8.00	19.05	63.50	77.79	33.34	44.45	–	9,53	PHP 4-5V800TB		
213,36	B-2			2517 <sup>2)</sup>	215,90	8.50	19.05	63.50	77.79	33.34	44.45	–	9,07	PHP 4-5V850TB		
226,06	B-2			2517 <sup>2)</sup>	228,60	9.00	19.05	63.50	77.79	33.34	44.45	–	9,98	PHP 4-5V900TB		
4	232,41		A-1	3020	234,95	9.25	31.75	76.20	77.79	12.70	50.80	14.29	12,25	PHP 4-5V925TB		
	245,11		A-1	3020	247,65	9.75	31.75	76.20	77.79	12.70	50.80	14.29	14,06	PHP 4-5V975TB		
	259,08		A-2	3020	261,62	10.30	31.75	76.20	77.79	12.70	50.80	14.29	12,70	PHP 4-5V1030TB		
	274,32		A-2	3020	276,86	10.90	31.75	76.20	77.79	12.70	50.80	14.29	14,06	PHP 4-5V1090TB		
	297,18		A-2	3020	299,72	11.80	31.75	76.20	77.79	12.70	50.80	14.29	15,42	PHP 4-5V1180TB		
4	314,96	A-2	3020	317,50	12.50	31.75	76.20	77.79	–	76.20	1.59	18,14	PHP 4-5V1250TB			
	332,74	A-3	3020	335,28	13.20	31.75	76.20	77.79	–	76.20	1.59	19,05	PHP 4-5V1320TB			
	353,06	C-2	3535 <sup>1)</sup>	355,60	14.00	50.80	100.01	77.79	–	88.90	11.11	21,77	PHP 4-5V1400TB			
	378,46	C-3	3535 <sup>1)</sup>	381,00	15.00	50.80	100.01	77.79	–	88.90	11.11	23,59	PHP 4-5V1500TB			
	403,86	C-3	3535 <sup>1)</sup>	406,40	16.00	50.80	100.01	77.79	–	88.90	11.11	24,04	PHP 4-5V1600TB			
	4	535,94	C-3	3535 <sup>1)</sup>	538,48	21.20	50.80	100.01	77.79	–	88.90	11.11	32,66	PHP 4-5V2120TB		
		708,66	C-3	3535 <sup>1)</sup>	711,20	28.00	50.80	100.01	77.79	–	88.90	11.11	46,72	PHP 4-5V2800TB		
		949,96	C-3	4040	952,50	37.50	44.45	112.71	77.79	–	101.60	23.81	78,02	PHP 4-5V3750TB		
		1267,46	C-3	4040	1270,00	50.00	44.45	112.71	77.79	–	101.60	23.81	100,70	PHP 4-5V5000TB		
		5V	5	177,80	A-1	3020	180,34	7.10	31.75	76.20	95.25	12.70	50.80	31.75	7,26	PHP 5-5V710TB
187,96	A-1			3020	190,50	7.50	31.75	76.20	95.25	12.70	50.80	31.75	8,16	PHP 5-5V750TB		
200,66	A-1			3020	203,20	8.00	31.75	76.20	95.25	12.70	50.80	31.75	9,98	PHP 5-5V800TB		
213,36	A-1			3020	215,90	8.50	31.75	76.20	95.25	12.70	50.80	31.75	11,79	PHP 5-5V850TB		
226,06	A-1			3020	228,60	9.00	31.75	76.20	95.25	12.70	50.80	31.75	13,15	PHP 5-5V900TB		
5	232,41		A-1	3020	234,95	9.25	31.75	76.20	95.25	12.70	50.80	31.75	13,61	PHP 5-5V925TB		
	245,11		A-1	3020	247,65	9.75	31.75	76.20	95.25	12.70	50.80	31.75	15,42	PHP 5-5V975TB		
	259,08		A-2	3020	261,62	10.30	31.75	76.20	95.25	12.70	50.80	31.75	14,51	PHP 5-5V1030TB		
	274,32		A-2	3020	276,86	10.90	31.75	76.20	95.25	12.70	50.80	31.75	15,42	PHP 5-5V1090TB		
	297,18		A-2	3020	299,72	11.80	31.75	76.20	95.25	12.70	50.80	31.75	17,69	PHP 5-5V1180TB		
5	314,96	A-2	3535 <sup>1)</sup>	317,50	12.50	50.80	100.01	95.25	–	88.90	6.35	24,49	PHP 5-5V1250TB			
	332,74	A-2	3535 <sup>1)</sup>	335,28	13.20	50.80	100.01	95.25	–	88.90	6.35	25,85	PHP 5-5V1320TB			
	353,06	A-2	3535 <sup>1)</sup>	355,60	14.00	50.80	100.01	95.25	–	88.90	6.35	24,49	PHP 5-5V1400TB			
	378,46	A-3	3535 <sup>1)</sup>	381,00	15.00	50.80	100.01	95.25	–	88.90	6.35	25,40	PHP 5-5V1500TB			
	403,86	A-3	3535 <sup>1)</sup>	406,40	16.00	50.80	100.01	95.25	–	88.90	6.35	26,31	PHP 5-5V1600TB			
	5	535,94	C-3	4040	538,48	21.20	44.45	112.71	95.25	–	101.60	6.35	41,73	PHP 5-5V2120TB		
		708,66	C-3	4040	711,20	28.00	44.45	112.71	95.25	–	101.60	6.35	53,07	PHP 5-5V2800TB		
		949,96	C-3	4040	952,50	37.50	44.45	112.71	95.25	–	101.60	6.35	82,55	PHP 5-5V3750TB		
		1267,46	C-3	4545	1270,00	50.00	57.15	125.41	95.25	–	114.30	19.05	125,19	PHP 5-5V5000TB		
		5V	6	177,80	A-1	3020	180,34	7.10	31.75	76.20	112.71	19.05	50.80	42.86	8,16	PHP 6-5V710 TB
187,96	A-1			3020	190,50	7.50	31.75	76.20	112.71	19.05	50.80	42.86	9,07	PHP 6-5V750 TB		
200,66	A-1			3020	203,20	8.00	31.75	76.20	112.71	19.05	50.80	42.86	10,89	PHP 6-5V800 TB		
213,36	A-1			3020	215,90	8.50	31.75	76.20	112.71	19.05	50.80	42.86	12,70	PHP 6-5V850 TB		
226,06	A-1			3020	228,60	9.00	31.75	76.20	112.71	19.05	50.80	42.86	13,61	PHP 6-5V900 TB		
6	232,41		A-1	3535 <sup>1)</sup>	234,95	9.25	50.80	100.01	112.71	–	88.90	23.81	17,69	PHP 6-5V925 TB		
	245,11		A-1	3535 <sup>1)</sup>	247,65	9.75	50.80	100.01	112.71	–	88.90	23.81	20,87	PHP 6-5V975 TB		

<sup>1)</sup> Taper bushing needs to conform to coarse thread series (UNC) of the ASME/ANSI standard. To complete designation, add U before bushing number and bore size at the end of designation, e.g. PHF TBU3535X70MM.

<sup>2)</sup> Mass does not include bushings.

# Narrow wedge belt pulleys

5V taper bushed | 8V taper bushed



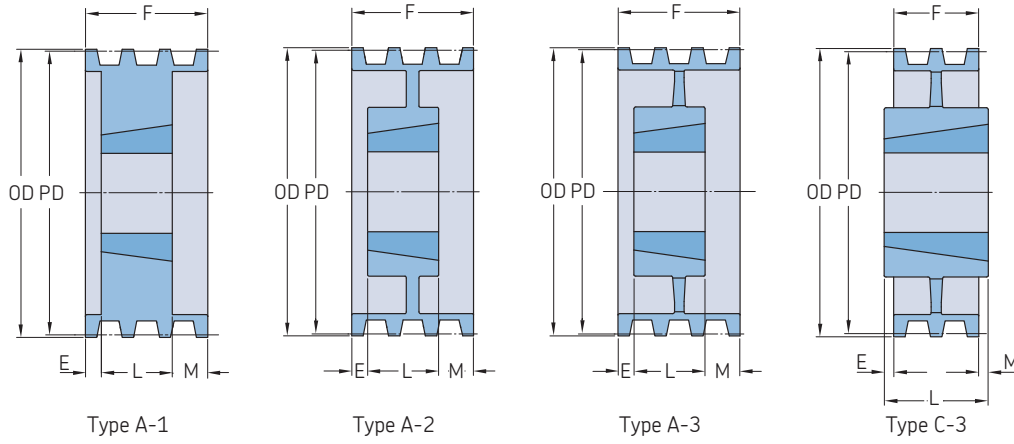
Section	Number of grooves	Pitch diameter PD	Pulley type	Bushing number	Dimensions		B Min.	Max.	F	E	L	M	Mass <sup>2)</sup>	Designation		
					Outer diameter OD	in.										
		mm			mm	in.							kg			
5V	6	259,08	A-1	3535 <sup>1)</sup>	261,62	10.30	50.80	100.01	112.71	–	88.90	23.81	24,49	PHP 6-5V1030 TB		
		274,32	A-1	3535 <sup>1)</sup>	276,86	10.90	50.80	100.01	112.71	–	88.90	23.81	28,12	PHP 6-5V1090 TB		
		297,18	A-2	3535 <sup>1)</sup>	299,72	11.80	50.80	100.01	112.71	–	88.90	23.81	24,95	PHP 6-5V1180 TB		
		314,96	A-2	3535 <sup>1)</sup>	317,50	12.50	50.80	100.01	112.71	–	88.90	23.81	26,31	PHP 6-5V1250 TB		
		332,74	A-2	3535 <sup>1)</sup>	335,28	13.20	50.80	100.01	112.71	–	88.90	23.81	27,22	PHP 6-5V1320 TB		
		353,06	A-2	3535 <sup>1)</sup>	355,60	14.00	50.80	100.01	112.71	–	88.90	23.81	26,76	PHP 6-5V1400 TB		
	5V	8	378,46	A-2	4040	381,00	15.00	44,45	112.71	112.71	–	101.60	11.11	37,19	PHP 6-5V1500 TB	
			403,86	A-2	4040	406,40	16.00	44,45	112.71	112.71	–	101.60	11.11	39,46	PHP 6-5V1600 TB	
			535,94	A-3	4040	538,48	21.20	44,45	112.71	112.71	–	101.60	11.11	46,27	PHP 6-5V2120 TB	
			708,66	A-3	4040	711,20	28.00	44,45	112.71	112.71	–	101.60	11.11	62,14	PHP 6-5V2800 TB	
			949,96	C-3	4545	952,50	37.50	57,15	125.41	112.71	–	114.30	1.59	100,24	PHP 6-5V3750 TB	
			1267,46	C-3	4545	1270,00	50.00	57,15	125.41	112.71	–	114.30	1.59	134,26	PHP 6-5V5000 TB	
		5V	10	177,80	A-1	3030	180,34	7.10	31.75	76.20	147.64	25.40	76.20	46.04	10,89	PHP 8-5V710TB
				187,96	A-1	3030	190,50	7.50	31.75	76.20	147.64	25.40	76.20	46.04	12,70	PHP 8-5V750TB
				200,66	A-1	3030	203,20	8.00	31.75	76.20	147.64	25.40	76.20	46.04	14,97	PHP 8-5V800TB
				213,36	A-1	3030	215,90	8.50	31.75	76.20	147.64	25.40	76.20	46.04	17,24	PHP 8-5V850TB
				226,06	A-1	3535 <sup>1)</sup>	228,60	9.00	50.80	100.01	147.64	25.40	88.90	33.34	19,96	PHP 8-5V900TB
				232,41	A-1	3535 <sup>1)</sup>	234,95	9.25	50.80	100.01	147.64	25.40	88.90	33.34	20,41	PHP 8-5V925TB
5V	8		245,11	A-1	3535 <sup>1)</sup>	247,65	9.75	50.80	100.01	147.64	25.40	88.90	33.34	23,13	PHP 8-5V975TB	
			259,08	A-1	3535 <sup>1)</sup>	261,62	10.30	50.80	100.01	147.64	25.40	88.90	33.34	27,22	PHP 8-5V1030TB	
			274,32	A-1	3535 <sup>1)</sup>	276,86	10.90	50.80	100.01	147.64	25.40	88.90	33.34	30,84	PHP 8-5V1090TB	
			297,18	A-2	3535 <sup>1)</sup>	299,72	11.80	50.80	100.01	147.64	25.40	88.90	33.34	28,58	PHP 8-5V1180TB	
			314,96	A-2	4040	317,50	12.50	44,45	112.71	147.64	6.35	101.60	39.69	37,19	PHP 8-5V1250TB	
			332,74	A-2	4040	335,28	13.20	44,45	112.71	147.64	6.35	101.60	39.69	37,19	PHP 8-5V1320TB	
	5V		8	353,06	A-2	4040	355,60	14.00	44,45	112.71	147.64	6.35	101.60	39.69	39,46	PHP 8-5V1400TB
				378,46	A-2	4040	381,00	15.00	44,45	112.71	147.64	6.35	101.60	39.69	44,00	PHP 8-5V1500TB
				403,86	A-2	4040	406,40	16.00	44,45	112.71	147.64	6.35	101.60	39.69	46,27	PHP 8-5V1600TB
				535,94	A-3	4040	538,48	21.20	44,45	112.71	147.64	6.35	101.60	39.69	55,34	PHP 8-5V2120TB
				708,66	A-3	4545	711,20	28.00	57,15	125.41	147.64	6.35	114.30	26.99	79,83	PHP 8-5V2800TB
				949,96	A-3	4545	952,50	37.50	57,15	125.41	147.64	6.35	114.30	26.99	122,92	PHP 8-5V3750TB
5V	10	1267,46	A-3	4545	1270,00	50.00	57,15	125.41	147.64	6.35	114.30	26.99	161,48	PHP 8-5V5000TB		
		200,66	A-1	3030	203,20	8.00	31.75	76.20	182.56	25.40	76.20	80.96	16,33	PHP 10-5V800TB		
		213,36	A-1	3030	215,90	8.50	31.75	76.20	182.56	25.40	76.20	80.96	19,05	PHP 10-5V850TB		
		226,06	A-1	3535 <sup>1)</sup>	228,60	9.00	50.80	100.01	182.56	25.40	88.90	68.26	21,32	PHP 10-5V900TB		
		232,41	A-1	4040	234,95	9.25	44,45	112.71	182.56	25.40	101.60	55.03	20,87	PHP 10-5V925TB		
		245,11	A-1	4040	247,65	9.75	44,45	112.71	182.56	25.40	101.60	55.03	24,49	PHP 10-5V975TB		
	5V	10	259,08	A-1	4040	261,62	10.30	44,45	112.71	182.56	25.40	101.60	55.03	29,03	PHP 10-5V1030TB	
			274,32	A-1	4040	276,86	10.90	44,45	112.71	182.56	25.40	101.60	55.03	33,11	PHP 10-5V1090TB	
			284,48	A-1	4040	287,02	11.30	44,45	112.71	182.56	25.40	101.60	55.03	41,73	PHP 10-5V1130TB	
			297,18	A-1	4040	299,72	11.80	44,45	112.71	182.56	25.40	101.60	55.03	39,46	PHP 10-5V1180TB	
			314,96	A-2	4040	317,50	12.50	44,45	112.71	182.56	19.05	101.60	55.03	39,46	PHP 10-5V1250TB	
			332,74	A-2	4040	335,28	13.20	44,45	112.71	182.56	19.05	101.60	61.91	48,08	PHP 10-5V1320TB	
	5V	10	353,06	A-2	4545	355,60	14.00	57,15	112.71	182.56	19.05	114.30	61.91	52,62	PHP 10-5V1400TB	
			378,46	A-2	4545	381,00	15.00	57,15	125.41	182.56	19.05	114.30	49.21	57,15	PHP 10-5V1500TB	
			403,86	A-2	4545	406,40	16.00	57,15	125.41	182.56	19.05	114.30	49.21	59,42	PHP 10-5V1600TB	
			472,44	A-2	4545	474,98	18.70	57,15	125.41	182.56	19.05	114.30	49.21	61,69	PHP 10-5V1870TB	
			535,94	A-3	4545	538,48	21.20	57,15	125.41	182.56	19.05	114.30	49.21	63,05	PHP 10-5V2120TB	
			708,66	A-3	4545	711,20	28.00	57,15	125.41	182.56	19.05	114.30	49.21	86,64	PHP 10-5V2800TB	
5V	10	949,96	A-3	4545	952,50	37.50	57,15	125.41	182.56	19.05	114.30	49.21	143,34	PHP 10-5V3750TB		
		1267,46	A-3	5050	1270,00	50.00	69,85	127.00	182.56	19.05	127.00	36.51	194,14	PHP 10-5V5000TB		
		8V	4	312,42	A-1	4040	317,50	12.50	44,45	112.71	123.83	–	101.60	22.23	41,73	PHP 4-8V1250TB
				330,20	A-1	4040	335,28	13.20	44,45	112.71	123.83	–	101.60	22.23	48,53	PHP 4-8V1320TB
				350,52	A-1	4040	355,60	14.00	44,45	125.41	123.83	–	114.30	9.53	57,15	PHP 4-8V1400TB

<sup>1)</sup> Taper bushing needs to conform to coarse thread series (UNC) of the ASME/ANSI standard. To complete designation, add U before bushing number and bore size at the end of designation, e.g. PHF TBU3535X70MM.

<sup>2)</sup> Mass does not include bushings.

# Narrow wedge belt pulleys

8V taper bushed



Section	Number of grooves	Pitch diameter PD	Pulley type	Bushing number	Dimensions		B Min.	Max.	F	E	L	M	Mass <sup>1)</sup> kg	Designation	
					Outer diameter OD	in.									
		mm			mm	in.								kg	
8V	4	375,92	A-1	4040	381,00	15.00	44,45	125,41	123,83	–	114,30	9,53	52,62	PHP 4-8V1500TB	
		401,32	A-2	4040	406,40	16.00	44,45	125,41	123,83	–	114,30	9,53	57,15	PHP 4-8V1600TB	
		426,72	A-2	4040	431,80	17.00	44,45	125,41	123,83	–	114,30	9,53	61,69	PHP 4-8V1700TB	
		452,12	A-2	4040	457,20	18.00	44,45	125,41	123,83	–	114,30	9,53	66,22	PHP 4-8V1800TB	
		477,52	A-2	4040	482,60	19.00	44,45	125,41	123,83	–	114,30	9,53	73,03	PHP 4-8V1900TB	
		502,92	A-2	4545	508,00	20.00	57,15	125,41	123,83	–	114,30	9,53	77,56	PHP 4-8V2000TB	
		533,40	A-3	4545	538,48	21.20	57,15	125,41	123,83	–	114,30	9,53	66,22	PHP 4-8V2120TB	
		563,88	A-3	4545	568,96	22.40	57,15	125,41	123,83	–	114,30	9,53	73,03	PHP 4-8V2240TB	
		756,92	A-3	4545	762,00	30.00	57,15	125,41	123,83	–	114,30	9,53	113,85	PHP 4-8V3000TB	
		896,62	A-3	4545	901,70	35.50	57,15	125,41	123,83	–	114,30	9,53	129,27	PHP 4-8V3550TB	
	1010,92	C-3	5050	1016,00	40.00	69,85	127,00	123,83	–	127,00	3,18	143,34	PHP 4-8V4000TB		
	1125,22	C-3	5050	1130,30	44.50	69,85	127,00	123,83	–	127,00	3,18	185,07	PHP 4-8V4450TB		
	1341,12	C-3	5050	1346,20	53.00	69,85	127,00	123,83	–	127,00	3,18	215,91	PHP 4-8V5300TB		
	8V	5	312,42	A-1	4040	317,50	12.50	44,45	125,41	152,40	–	114,30	38,10	43,54	PHP 5-8V1250TB
			330,20	A-1	4040	335,28	13.20	44,45	125,41	152,40	–	114,30	38,10	52,62	PHP 5-8V1320TB
			350,52	A-1	4040	355,60	14.00	44,45	125,41	152,40	–	114,30	38,10	61,69	PHP 5-8V1400TB
			375,92	A-1	4040	381,00	15.00	44,45	125,41	152,40	–	114,30	38,10	59,42	PHP 5-8V1500TB
			401,32	A-1	4040	406,40	16.00	44,45	125,41	152,40	–	114,30	38,10	63,96	PHP 5-8V1600TB
			426,72	A-2	4040	431,80	17.00	44,45	125,41	152,40	–	114,30	38,10	66,22	PHP 5-8V1700TB
			452,12	A-2	4040	457,20	18.00	44,45	125,41	152,40	–	114,30	38,10	70,76	PHP 5-8V1800TB
477,52			A-2	4040	482,60	19.00	44,45	125,41	152,40	–	114,30	38,10	79,83	PHP 5-8V1900TB	
502,92			A-2	4545	508,00	20.00	57,15	125,41	152,40	–	114,30	38,10	84,37	PHP 5-8V2000TB	
533,40			A-3	4545	538,48	21.20	57,15	125,41	152,40	–	114,30	38,10	73,03	PHP 5-8V2120TB	
563,88		A-3	4545	568,96	22.40	57,15	125,41	152,40	–	114,30	38,10	79,83	PHP 5-8V2240TB		
624,84		A-3	4545	629,92	24.80	57,15	125,41	152,40	–	114,30	38,10	106,59	PHP 5-8V2480TB		
756,92		A-3	4545	762,00	30.00	57,15	125,41	152,40	–	114,30	38,10	122,92	PHP 5-8V3000TB		
896,62		A-3	4545	901,70	35.50	57,15	125,41	152,40	–	114,30	38,10	147,42	PHP 5-8V3550TB		
1010,92		A-3	5050	1016,00	40.00	69,85	127,00	152,40	–	127,00	25,40	158,76	PHP 5-8V4000TB		
1125,22		A-3	5050	1130,30	44.50	69,85	127,00	152,40	–	127,00	25,40	186,43	PHP 5-8V4450TB		
1341,12		A-3	5050	1346,20	53.00	69,85	127,00	152,40	–	127,00	25,40	256,28	PHP 5-8V5300TB		
8V		6	312,42	A-1	4545	317,50	12.50	57,15	125,41	155,58	12,70	114,30	53,98	47,63	PHP 6-8V1250TB
			330,20	A-1	4545	335,28	13.20	57,15	125,41	155,58	12,70	114,30	53,98	56,70	PHP 6-8V1320TB
			350,52	A-1	4545	355,60	14.00	57,15	125,41	155,58	12,70	114,30	53,98	65,77	PHP 6-8V1400TB
	375,92		A-1	4545	381,00	15.00	57,15	125,41	155,58	12,70	114,30	53,98	77,11	PHP 6-8V1500TB	
	401,32		A-2	4545	406,40	16.00	57,15	125,41	155,58	12,70	114,30	53,98	65,77	PHP 6-8V1600TB	
	426,72		A-2	4545	431,80	17.00	57,15	125,41	155,58	12,70	114,30	53,98	68,04	PHP 6-8V1700TB	
	452,12		A-2	4545	457,20	18.00	57,15	125,41	155,58	12,70	114,30	53,98	72,57	PHP 6-8V1800TB	
	477,52		A-2	4545	482,60	19.00	57,15	125,41	155,58	12,70	114,30	53,98	83,91	PHP 6-8V1900TB	
	502,92		A-2	4545	508,00	20.00	57,15	125,41	155,58	12,70	114,30	53,98	90,72	PHP 6-8V2000TB	
	533,40		A-3	4545	538,48	21.20	57,15	125,41	155,58	12,70	114,30	53,98	77,11	PHP 6-8V2120TB	
	563,88	A-3	4545	568,96	22.40	57,15	125,41	155,58	12,70	114,30	53,98	81,65	PHP 6-8V2240TB		
	624,84	A-3	4545	629,92	24.80	57,15	125,41	155,58	12,70	114,30	53,98	107,95	PHP 6-8V2480TB		
	756,92	A-3	5050	762,00	30.00	69,85	127,00	155,58	12,70	127,00	41,28	129,27	PHP 6-8V3000TB		
	896,62	A-3	5050	901,70	35.50	69,85	127,00	155,58	12,70	127,00	41,28	152,41	PHP 6-8V3550TB		
	1010,92	A-3	5050	1016,00	40.00	69,85	127,00	155,58	12,70	127,00	41,28	170,10	PHP 6-8V4000TB		
	1125,22	A-3	5050	1130,30	44.50	69,85	127,00	155,58	12,70	127,00	41,28	197,77	PHP 6-8V4450TB		
	1341,12	A-3	5050	1346,20	53.00	69,85	127,00	155,58	12,70	127,00	41,28	269,89	PHP 6-8V5300TB		
	8V	8	312,42	A-1	4545	317,50	12.50	57,15	125,41	238,13	38,10	114,30	85,73	56,70	PHP 8-8V1250TB
			330,20	A-1	4545	335,28	13.20	57,15	125,41	238,13	38,10	114,30	85,73	61,23	PHP 8-8V1320TB
			350,52	A-1	4545	355,60	14.00	57,15	125,41	238,13	38,10	114,30	85,73	70,31	PHP 8-8V1400TB
375,92			A-1	4545	381,00	15.00	57,15	125,41	238,13	38,10	114,30	85,73	81,65	PHP 8-8V1500TB	
401,32			A-1	4545	406,40	16.00	57,15	125,41	238,13	38,10	114,30	85,73	72,57	PHP 8-8V1600TB	

<sup>1)</sup> Mass does not include bushings.

# Narrow wedge belt pulleys

## 8V taper bushed

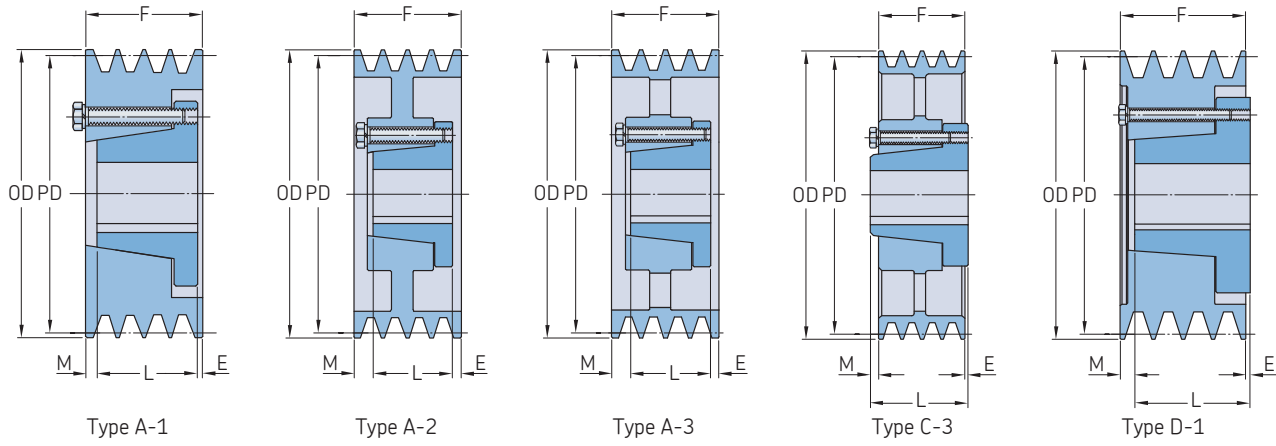
Section	Number of grooves	Pitch diameter PD	Pulley type	Bushing number	Dimensions		B Min.	Max.	F	E	L	M	Mass <sup>1)</sup> kg	Designation	
					Outer diameter OD	<i>in.</i>									
–	–	mm	–	–	mm	<i>in.</i>								–	
8V	8	426,72	A-2	5050	431,80	17.00	69,85	127,00	238,13	38,10	127,00	85,73	79,83	PHP 8-8V1700TB	
		452,12	A-2	5050	457,20	18.00	69,85	127,00	238,13	25,40	127,00	85,73	86,18	PHP 8-8V1800TB	
		477,52	A-2	5050	482,60	19.00	69,85	127,00	238,13	25,40	127,00	85,73	95,25	PHP 8-8V1900TB	
		502,92	A-2	5050	508,00	20.00	69,85	127,00	238,13	25,40	127,00	85,73	102,06	PHP 8-8V2000TB	
		533,40	A-2	5050	538,48	21.20	69,85	127,00	238,13	25,40	127,00	85,73	111,13	PHP 8-8V2120TB	
	563,88	A-3	5050	568,96	22.40	69,85	127,00	238,13	25,40	127,00	85,73	136,08	PHP 8-8V2240TB		
	624,84	A-3	5050	629,92	24.80	69,85	127,00	238,13	25,40	127,00	85,73	140,16	PHP 8-8V2480TB		
	756,92	A-3	5050	762,00	30.00	69,85	127,00	238,13	25,40	127,00	85,73	142,88	PHP 8-8V3000TB		
	896,62	A-3	5050	901,70	35.50	69,85	127,00	238,13	25,40	127,00	85,73	188,24	PHP 8-8V3550TB		
	1010,92	A-3	5050	1016,00	40.00	69,85	127,00	238,13	25,40	127,00	85,73	213,19	PHP 8-8V4000TB		
	1125,22	A-3	5050	1130,30	44.50	69,85	127,00	238,13	25,40	127,00	85,73	265,35	PHP 8-8V4450TB		
	1341,12	A-3	6050	1346,20	53.00	69,85	127,00	238,13	25,40	127,00	85,73	317,51	PHP 8-8V5300TB		
	8V	10	330,20	A-1	4545	335,28	13.20	57,15	125,41	295,28	25,40	114,30	155,58	68,04	PHP 10-8V1320TB
			350,52	A-1	4545	355,60	14.00	57,15	125,41	295,28	25,40	114,30	155,58	79,38	PHP 10-8V1400TB
			375,92	A-1	5050	381,00	15.00	69,85	127,00	295,28	25,40	127,00	142,88	79,38	PHP 10-8V1500TB
			401,32	A-1	5050	406,40	16.00	69,85	127,00	295,28	25,40	127,00	142,88	99,79	PHP 10-8V1600TB
426,72			A-2	5050	431,80	17.00	69,85	127,00	295,28	57,15	127,00	111,13	83,91	PHP 10-8V1700TB	
452,12		A-2	5050	457,20	18.00	69,85	127,00	295,28	57,15	127,00	111,13	99,79	PHP 10-8V1800TB		
477,52		A-2	5050	482,60	19.00	69,85	127,00	295,28	57,15	127,00	111,13	108,86	PHP 10-8V1900TB		
502,92		A-2	5050	508,00	20.00	69,85	127,00	295,28	57,15	127,00	111,13	117,93	PHP 10-8V2000TB		
533,40		A-2	5050	538,48	21.20	69,85	127,00	295,28	57,15	127,00	111,13	127,01	PHP 10-8V2120TB		
563,88		A-3	5050	568,96	22.40	69,85	127,00	295,28	57,15	127,00	111,13	151,95	PHP 10-8V2240TB		
624,84		A-3	5050	629,92	24.80	69,85	127,00	295,28	57,15	127,00	111,13	162,39	PHP 10-8V2480TB		
756,92		A-3	5050	762,00	30.00	69,85	127,00	295,28	57,15	127,00	111,13	167,83	PHP 10-8V3000TB		
896,62		A-3	5050	901,70	35.50	69,85	127,00	295,28	57,15	127,00	111,13	217,72	PHP 10-8V3550TB		
1010,92		A-3	5050	1016,00	40.00	69,85	127,00	295,28	57,15	127,00	111,13	249,48	PHP 10-8V4000TB		
1125,22		A-3	6050	1130,30	44.50	69,85	127,00	295,28	57,15	127,00	111,13	306,17	PHP 10-8V4450TB		
1341,12		A-3	6050	1346,20	53.00	69,85	127,00	295,28	57,15	127,00	111,13	394,63	PHP 10-8V5300TB		

<sup>1)</sup> Mass does not include bushings.



# Narrow wedge belt pulleys

3V QD bushed



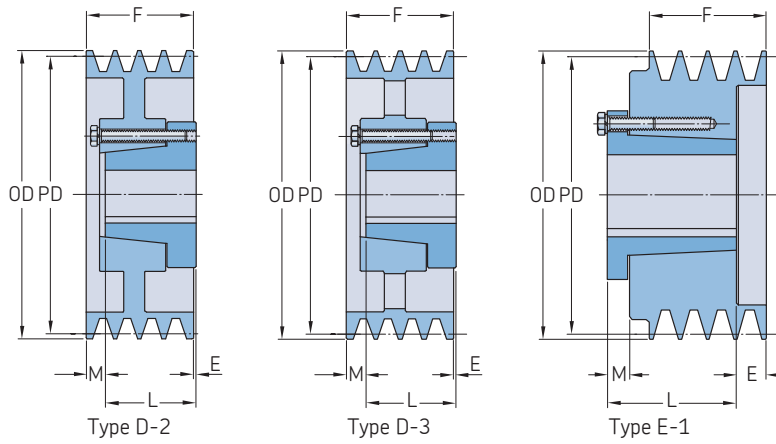
Section	Number of grooves	Pitch diameter PD	Pulley type	Bushing number	Dimensions		Bore		E	F	L	M	Mass <sup>1)</sup>	Designation
					Outer diameter OD	in.	Min.	Max.						
mm	mm	mm	mm	mm	in.	mm	in.	mm	mm	mm	mm	mm	kg	
3V	1	54,61	E-1	JA	55,88	2.20	12,70	31,75	15,88	17,46	25,40	24	0,2	PHP 1-3V220-JA
		58,42	E-1	JA	59,69	2.35	12,70	31,75	15,08	17,46	25,40	23	0,2	PHP 1-3V235-JA
		62,23	E-1	JA	63,50	2.50	12,70	31,75	15,08	17,46	25,40	23	0,2	PHP 1-3V250-JA
		66,04	D-1	JA	67,31	2.65	12,70	31,75	9,53	17,46	25,40	2	0,3	PHP 1-3V265-JA
		69,85	D-1	JA	71,12	2.80	12,70	31,75	9,53	17,46	25,40	2	0,3	PHP 1-3V280-JA
		74,93	D-1	JA	76,20	3.00	12,70	31,75	9,53	17,46	25,40	2	0,4	PHP 1-3V300-JA
		78,74	D-1	JA	80,01	3.15	12,70	31,75	9,53	17,46	25,40	2	0,4	PHP 1-3V315-JA
		83,82	D-1	JA	85,09	3.35	12,70	31,75	9,53	17,46	25,40	2	0,5	PHP 1-3V335-JA
		91,44	D-1	SH	92,71	3.65	12,70	41,28	16,67	17,46	33,34	1	0,6	PHP 1-3V365-SH
		103,38	D-1	SH	104,65	4.12	12,70	41,28	16,67	17,46	33,34	1	0,8	PHP 1-3V412-SH
		113,03	D-1	SH	114,30	4.50	12,70	41,28	16,67	17,46	33,34	1	1,0	PHP 1-3V450-SH
		119,38	D-1	SH	120,65	4.75	12,70	41,28	16,67	17,46	33,34	1	1,1	PHP 1-3V475-SH
		125,73	D-1	SH	127,00	5.00	12,70	41,28	16,67	17,46	33,34	1	1,2	PHP 1-3V500-SH
		133,35	D-1	SH	134,62	5.30	12,70	41,28	16,67	17,46	33,34	1	1,3	PHP 1-3V530-SH
		140,97	D-2	SH	142,24	5.60	12,70	41,28	16,67	17,46	33,34	1	1,4	PHP 1-3V560-SH
		151,13	D-2	SH	152,40	6.00	12,70	41,28	16,67	17,46	33,34	1	1,5	PHP 1-3V600-SH
		163,83	D-2	SH	165,10	6.50	12,70	41,28	16,67	17,46	33,34	1	1,9	PHP 1-3V650-SH
		173,99	D-3	SH	175,26	6.90	12,70	41,28	16,67	17,46	33,34	1	2,0	PHP 1-3V690-SH
		201,93	D-3	SDS	203,20	8.00	12,70	50,80	16,67	17,46	33,34	1	2,6	PHP 1-3V800-SDS
		267,97	D-3	SDS	269,24	10.60	12,70	50,80	16,67	17,46	33,34	1	3,6	PHP 1-3V1060-SDS
354,33	C-3	SK	355,60	14.00	12,70	66,68	19,84	17,46	33,34	12	6,7	PHP 1-3V1400-SK		
481,33	C-3	SK	482,60	19.00	12,70	66,68	19,84	17,46	33,34	12	10,9	PHP 1-3V1900-SK		
3V	2	54,61	E-1	JA	55,88	2.20	12,70	31,75	8,73	27,78	25,40	24	0,3	PHP 2-3V220-JA
		58,42	E-1	JA	59,69	2.35	12,70	31,75	25,40	27,78	25,40	23	0,3	PHP 2-3V235-JA
		62,23	E-1	JA	63,50	2.50	12,70	31,75	25,40	27,78	25,40	23	0,3	PHP 2-3V250-JA
		66,04	D-1	JA	67,31	2.65	12,70	31,75	9,53	27,78	25,40	12	0,4	PHP 2-3V265-JA
		69,85	D-1	JA	71,12	2.80	12,70	31,75	9,53	27,78	25,40	12	0,4	PHP 2-3V280-JA
		74,93	D-1	JA	76,20	3.00	12,70	31,75	9,53	27,78	25,40	12	0,5	PHP 2-3V300-JA
		78,74	D-1	JA	80,01	3.15	12,70	31,75	9,53	27,78	25,40	12	0,5	PHP 2-3V315-JA
		83,82	D-1	SH	85,09	3.35	12,70	41,28	13,49	27,78	33,34	8	0,6	PHP 2-3V335-SH
		91,44	D-1	SH	92,71	3.65	12,70	41,28	13,49	27,78	33,34	8	0,7	PHP 2-3V365-SH
		103,38	D-1	SH	104,65	4.12	12,70	41,28	8,73	27,78	33,34	3	1,0	PHP 2-3V412-SH
		113,03	D-1	SH	114,30	4.50	12,70	41,28	8,73	27,78	33,34	3	1,2	PHP 2-3V450-SH
		119,38	D-1	SH	120,65	4.75	12,70	41,28	8,73	27,78	33,34	3	1,4	PHP 2-3V475-SH
		125,73	D-1	SH	127,00	5.00	12,70	41,28	8,73	27,78	33,34	3	1,5	PHP 2-3V500-SH
		133,35	D-1	SH	134,62	5.30	12,70	41,28	8,73	27,78	33,34	3	1,8	PHP 2-3V530-SH
		140,97	D-2	SH	142,24	5.60	12,70	41,28	8,73	27,78	33,34	3	1,8	PHP 2-3V560-SH
		151,13	D-2	SH	152,40	6.00	12,70	41,28	8,73	27,78	33,34	3	2,0	PHP 2-3V600-SH
		163,83	D-2	SDS	165,10	6.50	12,70	50,80	8,73	27,78	33,34	3	2,7	PHP 2-3V650-SDS
		173,99	D-2	SDS	175,26	6.90	12,70	50,80	8,73	27,78	33,34	3	3,4	PHP 2-3V690-SDS
		201,93	D-3	SDS	203,20	8.00	12,70	50,80	8,73	27,78	33,34	3	3,9	PHP 2-3V800-SDS
		267,97	C-3	SK	269,24	10.60	12,70	66,68	13,49	27,78	33,34	8	5,7	PHP 2-3V1060-SK
354,33	C-3	SK	355,60	14.00	12,70	66,68	13,49	27,78	33,34	8	8,9	PHP 2-3V1400-SK		
481,33	C-3	SK	482,60	19.00	12,70	66,68	13,49	27,78	33,34	8	12,3	PHP 2-3V1900-SK		
633,73	C-3	SF	635,00	25.00	12,70	74,61	15,08	27,78	52,39	10	17,2	PHP 2-3V2500-SF		
3V	3	62,23	E-1	JA	63,50	2.50	12,70	31,75	35,72	38,10	25,40	23	0,4	PHP 3-3V250-JA
		66,04	D-1	JA	67,31	2.65	12,70	31,75	9,53	38,10	25,40	22	0,5	PHP 3-3V265-JA
		69,85	D-1	JA	71,12	2.80	12,70	31,75	9,53	38,10	25,40	22	0,6	PHP 3-3V280-JA
		74,93	E-1	SH	76,20	3.00	12,70	41,28	29,37	38,10	33,34	25	0,8	PHP 3-3V300-SH
		78,74	E-1	SH	80,01	3.15	12,70	41,28	29,37	38,10	33,34	25	0,8	PHP 3-3V315-SH
		83,82	D-1	SH	85,09	3.35	12,70	41,28	13,49	38,10	33,34	18	0,9	PHP 3-3V335-SH
		91,44	D-1	SH	92,71	3.65	12,70	41,28	13,49	38,10	33,34	18	1,0	PHP 3-3V365-SH
		103,38	A-1	SH	104,65	4.12	12,70	41,28	0,79	38,10	33,34	4	1,3	PHP 3-3V412-SH

<sup>1)</sup> Mass does not include bushings.



# Narrow wedge belt pulleys

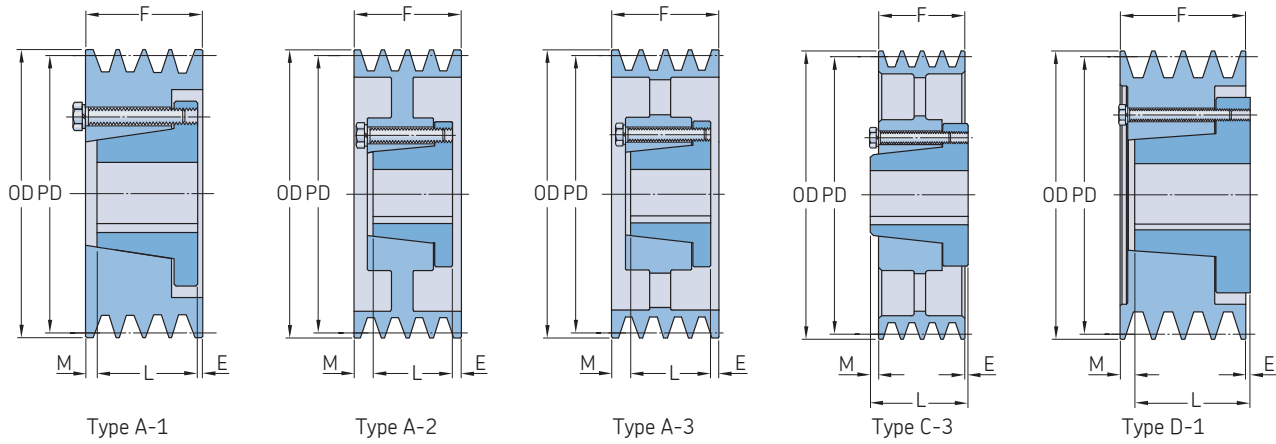
3V QD bushed



Section	Number of grooves	Pitch diameter PD	Pulley type	Bushing number	Dimensions		Bore		E	F	L	M	Mass <sup>1)</sup> kg	Designation		
					Outer diameter OD		Min.	Max.								
-	-	mm	-	-	mm	in.								-		
3V	3	113,03	A-1	SDS	114,30	4.50	12,70	50,80	0,79	38,10	33,34	4	1,6	PHP 3-3V450-SDS		
		119,38	A-1	SDS	120,65	4.75	12,70	50,80	0,79	38,10	33,34	4	1,8	PHP 3-3V475-SDS		
		125,73	A-1	SDS	127,00	5.00	12,70	50,80	0,79	38,10	33,34	4	2,0	PHP 3-3V500-SDS		
		133,35	A-1	SDS	134,62	5.30	12,70	50,80	0,79	38,10	33,34	4	2,4	PHP 3-3V530-SDS		
		140,97	A-1	SDS	142,24	5.60	12,70	50,80	0,79	38,10	33,34	4	2,7	PHP 3-3V560-SDS		
		151,13	A-2	SDS	152,40	6.00	12,70	50,80	0,79	38,10	33,34	4	3,2	PHP 3-3V600-SDS		
		163,83	A-2	SDS	165,10	6.50	12,70	50,80	0,79	38,10	33,34	4	3,7	PHP 3-3V650-SDS		
		173,99	A-2	SDS	175,26	6.90	12,70	50,80	0,79	38,10	33,34	4	4,0	PHP 3-3V690-SDS		
		201,93	D-2	SK	203,20	8.00	12,70	66,68	13,49	38,10	33,34	2	5,1	PHP 3-3V800-SK		
		267,97	D-3	SK	269,24	10.60	12,70	66,68	13,49	38,10	33,34	2	6,4	PHP 3-3V1060-SK		
		354,33	D-3	SK	355,60	14.00	12,70	66,68	13,49	38,10	33,34	2	9,8	PHP 3-3V1400-SK		
		405,13	D-3	SK	406,40	16.00	12,70	66,68	13,49	38,10	33,34	2	11,4	PHP 3-3V1600-SK		
		481,33	D-3	SF	482,60	19.00	12,70	74,61	15,08	38,10	52,39	1	14,6	PHP 3-3V1900-SF		
		633,73	D-3	SF	635,00	25.00	12,70	74,61	15,08	38,10	52,39	1	22,7	PHP 3-3V2500-SF		
		849,63	D-3	SF	850,90	33.50	22,23	88,90	15,08	38,10	52,39	1	35,4	PHP 3-3V3350-SF		
		3V	4	66,04	D-1	JA	67,31	2.65	12,70	31,75	9,53	48,42	25,40	15	0,6	PHP 4-3V265-JA
				69,85	D-1	JA	71,12	2.80	12,70	31,75	9,53	48,42	25,40	15	0,8	PHP 4-3V280-JA
				74,93	E-1	SH	76,20	3.00	12,70	41,28	12,70	48,42	33,34	23	0,9	PHP 4-3V300-SH
				78,74	E-1	SH	80,01	3.15	12,70	41,28	12,70	48,42	33,34	23	1,0	PHP 4-3V315-SH
				83,82	D-1	SH	85,09	3.35	12,70	41,28	13,49	48,42	33,34	29	1,0	PHP 4-3V335-SH
91,44	D-1			SH	92,71	3.65	12,70	41,28	13,49	48,42	33,34	29	1,3	PHP 4-3V365-SH		
103,38	A-1			SH	104,65	4.12	12,70	41,28	3,97	48,42	33,34	11	1,5	PHP 4-3V412-SH		
113,03	A-1			SDS	114,30	4.50	12,70	50,80	3,97	48,42	33,34	11	1,8	PHP 4-3V450-SDS		
119,38	A-1			SDS	120,65	4.75	12,70	50,80	3,97	48,42	33,34	11	2,1	PHP 4-3V475-SDS		
125,73	A-1			SDS	127,00	5.00	12,70	50,80	3,97	48,42	33,34	11	2,4	PHP 4-3V500-SDS		
133,35	A-1			SDS	134,62	5.30	12,70	50,80	3,97	48,42	33,34	11	2,6	PHP 4-3V530-SDS		
140,97	A-1			SDS	142,24	5.60	12,70	50,80	3,97	48,42	33,34	11	3,1	PHP 4-3V560-SDS		
151,13	D-1			SK	152,40	6.00	12,70	66,68	3,97	48,42	33,34	3	3,8	PHP 4-3V600-SK		
163,83	D-1			SK	165,10	6.50	12,70	66,68	3,97	48,42	33,34	3	4,5	PHP 4-3V650-SK		
173,99	D-1			SK	175,26	6.90	12,70	66,68	3,97	48,42	33,34	3	5,4	PHP 4-3V690-SK		
201,93	D-2			SK	203,20	8.00	12,70	66,68	3,97	48,42	33,34	3	5,9	PHP 4-3V800-SK		
267,97	D-3			SK	269,24	10.60	12,70	66,68	3,97	48,42	33,34	3	7,5	PHP 4-3V1060-SK		
354,33	D-3			SK	355,60	14.00	12,70	66,68	3,97	48,42	33,34	3	10,2	PHP 4-3V1400-SK		
405,13	D-3			SK	406,40	16.00	12,70	66,68	3,97	48,42	33,34	3	12,6	PHP 4-3V1600-SK		
481,33	D-3			SF	482,60	19.00	12,70	74,61	5,56	48,42	52,39	2	15,9	PHP 4-3V1900-SF		
633,73	D-3	SF	635,00	25.00	12,70	74,61	5,56	48,42	52,39	2	25,9	PHP 4-3V2500-SF				
849,63	C-3	E	850,90	33.50	22,23	88,90	16,67	48,42	69,85	5	38,1	PHP 4-3V3350-E				
3V	5	119,38	A-1	SDS	120,65	4.75	12,70	50,80	3,97	58,74	49,21	21	2,3	PHP 5-3V475-SDS		
		125,73	A-1	SDS	127,00	5.00	12,70	50,80	3,97	58,74	49,21	21	2,6	PHP 5-3V500-SDS		
		133,35	A-1	SK	134,62	5.30	12,70	66,68	3,97	58,74	49,21	6	3,0	PHP 5-3V530-SK		
		140,97	A-1	SK	142,24	5.60	12,70	66,68	3,97	58,74	49,21	6	3,4	PHP 5-3V560-SK		
		151,13	A-1	SK	152,40	6.00	12,70	66,68	3,97	58,74	49,21	6	4,0	PHP 5-3V600-SK		
		163,83	A-2	SK	165,10	6.50	12,70	66,68	3,97	58,74	49,21	6	4,8	PHP 5-3V650-SK		
		173,99	A-2	SK	175,26	6.90	12,70	66,68	3,97	58,74	49,21	6	5,8	PHP 5-3V690-SK		
		201,93	A-2	SK	203,20	8.00	12,70	66,68	3,97	58,74	49,21	6	6,3	PHP 5-3V800-SK		
		267,97	A-3	SK	269,24	10.60	12,70	66,68	3,97	58,74	49,21	6	7,7	PHP 5-3V1060-SK		
		354,33	A-3	SF	355,60	14.00	12,70	74,61	0,79	58,74	74,61	6	11,8	PHP 5-3V1400-SF		
		481,33	A-3	SF	482,60	19.00	12,70	74,61	0,79	58,74	74,61	6	18,6	PHP 5-3V1900-SF		
		633,73	D-3	E	635,00	25.00	22,23	88,90	13,49	58,74	69,85	2	28,6	PHP 5-3V2500-E		
		849,63	D-3	E	850,90	33.50	22,23	88,90	13,49	58,74	69,85	2	43,1	PHP 5-3V3350-E		
		3V	6	119,38	D-1	SK	120,65	4.75	12,70	66,68	16,67	69,06	49,21	37	2,7	PHP 6-3V475-SK
				125,73	D-1	SK	127,00	5.00	12,70	66,68	16,67	69,06	49,21	37	2,9	PHP 6-3V500-SK
133,35	A-1			SK	134,62	5.30	12,70	66,68	13,49	69,06	49,21	6	3,1	PHP 6-3V530-SK		

<sup>1)</sup> Mass does not include bushings.

**Narrow wedge belt pulleys**  
 3V QD bushed | 5V QD bushed

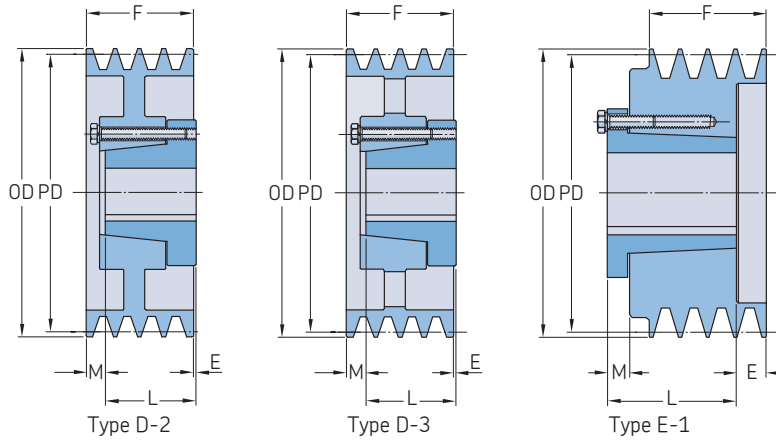


Section	Number of grooves	Pitch diameter PD	Pulley type	Bushing number	Dimensions		Bore		E	F	L	M	Mass <sup>1)</sup> kg	Designation
					Outer diameter OD	in.	Min.	Max.						
3V	6	140,97 151,13 163,83 173,99 201,93	A-1 A-1 A-1 A-1 A-2	SK SK SK SK SK	142,24 152,40 165,10 175,26 203,20	5,60 6,00 6,50 6,90 8,00	12,70 12,70 12,70 12,70 12,70	66,68 66,68 66,68 66,68 74,61	13,49 13,49 13,49 13,49 2,38	69,06 69,06 69,06 69,06 69,06	49,21 49,21 49,21 49,21 49,21	6 6 6 6 17	3,9 4,5 5,2 6,1 6,8	PHP 6-3V560-SK PHP 6-3V600-SK PHP 6-3V650-SK PHP 6-3V690-SK PHP 6-3V800-SK
		267,97 354,33 481,33 633,73 849,63	A-3 A-3 D-3 D-3 D-3	SF SF E E E	269,24 355,60 482,60 635,00 850,90	10,60 14,00 19,00 25,00 33,50	12,70 22,23 22,23 22,23 22,23	74,61 88,90 88,90 88,90 88,90	0,79 0,79 3,97 3,97 3,97	69,06 69,06 69,06 69,06 69,06	74,61 74,61 69,85 69,85 69,85	16 16 3 3 3	10,3 13,4 20,0 29,5 45,8	PHP 6-3V1060-SF PHP 6-3V1400-SF PHP 6-3V1900-E PHP 6-3V2500-E PHP 6-3V3350-E
3V	8	119,38 125,73 133,35 140,97 151,13	D-1 D-1 A-1 A-1 A-1	SK SK SK SK SK	120,65 127,00 134,62 142,24 152,40	4,75 5,00 5,30 5,60 6,00	12,70 12,70 12,70 12,70 12,70	66,68 66,68 66,68 66,68 66,68	16,67 16,67 13,49 13,49 13,49	89,69 89,69 89,69 89,69 89,69	49,21 49,21 49,21 49,21 49,21	57 57 27 27 27	3,3 3,5 4,2 4,8 5,7	PHP 8-3V475-SK PHP 8-3V500-SK PHP 8-3V530-SK PHP 8-3V560-SK PHP 8-3V600-SK
		163,83 173,99 201,93 267,97 354,33	A-1 A-1 A-1 A-2 A-3	SK SK SF SF E	165,10 175,26 203,20 269,24 355,60	6,50 6,90 8,00 10,60 14,00	12,70 12,70 12,70 12,70 22,23	66,68 66,68 74,61 74,61 88,90	13,49 13,49 7,14 7,14 2,38	89,69 89,69 89,69 89,69 89,69	49,21 49,21 74,61 74,61 69,85	27 27 21 21 17	7,3 8,2 9,5 11,6 17,5	PHP 8-3V650-SK PHP 8-3V690-SK PHP 8-3V800-SF PHP 8-3V1060-SF PHP 8-3V1400-E
		481,33 633,73 849,63	A-3 A-3 D-3	E E F	482,60 635,00 850,90	19,00 25,00 33,50	22,23 22,23 25,40	88,90 88,90 101,60	2,38 2,38 7,14	89,69 89,69 89,69	69,85 69,85 95,25	17 17 17	24,5 36,3 14,5	PHP 8-3V1900-E PHP 8-3V2500-E PHP 8-3V3350-F
3V	10	119,38 125,73 133,35 140,97 151,13	D-1 D-1 A-1 A-1 A-1	SK SK SK SK SK	120,65 127,00 134,62 142,24 152,40	4,75 5,00 5,30 5,60 6,00	12,70 12,70 12,70 12,70 12,70	66,68 66,68 66,68 66,68 66,68	16,67 16,67 16,67 16,67 16,67	110,33 110,33 110,33 110,33 110,33	49,21 49,21 49,21 49,21 49,21	78 78 44 44 44	3,8 4,3 4,6 5,2 6,6	PHP 10-3V475-SK PHP 10-3V500-SK PHP 10-3V530-SK PHP 10-3V560-SK PHP 10-3V600-SK
		163,83 173,99 201,93 267,97 354,33	A-1 A-1 A-1 A-2 A-3	SK SK SF SF E	165,10 175,26 203,20 269,24 355,60	6,50 6,90 8,00 10,60 14,00	12,70 12,70 12,70 22,23 22,23	66,68 66,68 74,61 74,61 88,90	16,67 16,67 16,67 2,38 2,38	110,33 110,33 110,33 110,33 110,33	49,21 49,21 52,39 52,39 52,39	44 44 41 38 38	7,9 9,1 10,9 13,7 19,4	PHP 10-3V650-SK PHP 10-3V690-SK PHP 10-3V800-SF PHP 10-3V1060-E PHP 10-3V1400-E
		481,33 633,73 849,63	A-3 D-3 D-3	E F F	482,60 635,00 850,90	19,00 25,00 33,50	22,23 25,40 25,40	88,90 101,60 101,60	2,38 0,79 0,79	110,33 110,33 110,33	52,39 95,25 120,65	38 16 16	29,0 44,9 71,7	PHP 10-3V1900-E PHP 10-3V2500-F PHP 10-3V3350-F
5V	2	109,22 115,57 121,92 129,54 137,16	D-1 E-1 A-1 A-1 A-1	SH SDS SDS SDS SDS	111,76 118,11 124,46 132,08 139,70	4,40 4,65 4,90 5,20 5,50	12,70 12,70 12,70 12,70 12,70	41,28 50,80 50,80 50,80 50,80	8,73 21,43 0,79 0,79 0,79	42,86 42,86 42,86 42,86 42,86	33,34 33,34 33,34 33,34 33,34	18 12 9 9 9	2,6 3,0 3,1 3,2 3,3	PHP 2-5V440-SH PHP 2-5V465-SDS PHP 2-5V490-SDS PHP 2-5V520-SDS PHP 2-5V550-SDS
		147,32 157,48 167,64 177,80 187,96	A-1 D-1 D-1 D-1 D-1	SDS SK SK SK SK	149,86 160,02 170,18 180,34 190,50	5,90 6,30 6,70 7,10 7,50	12,70 12,70 12,70 12,70 12,70	50,80 66,68 66,68 66,68 66,68	0,79 8,73 8,73 8,73 8,73	42,86 42,86 42,86 42,86 42,86	33,34 49,21 49,21 49,21 49,21	9 2 2 2 2	3,5 4,3 4,8 5,2 5,7	PHP 2-5V590-SDS PHP 2-5V630-SK PHP 2-5V670-SK PHP 2-5V710-SK PHP 2-5V750-SK
		200,66 213,36 226,06 232,41 245,11	D-2 D-2 D-3 D-3 D-3	SK SK SK SK SK	203,20 215,90 228,60 234,95 247,65	8,00 8,50 9,00 9,25 9,75	12,70 12,70 12,70 12,70 12,70	66,68 66,68 66,68 66,68 66,68	8,73 8,73 8,73 8,73 8,73	42,86 42,86 42,86 42,86 42,86	49,21 49,21 33,34 33,34 49,21	2 2 2 2 2	5,9 6,4 6,9 6,9 7,0	PHP 2-5V800-SK PHP 2-5V850-SK PHP 2-5V900-SK PHP 2-5V925-SK PHP 2-5V975-SK
		259,08 274,32	D-3 D-3	SK SK	261,62 276,86	10,30 10,90	12,70 12,70	66,68 66,68	8,73 8,73	42,86 42,86	49,21 49,21	2 2	7,0 7,5	PHP 2-5V1030-SK PHP 2-5V1090-SK

<sup>1)</sup> Mass does not include bushings.

# Narrow wedge belt pulleys

5V QD bushed

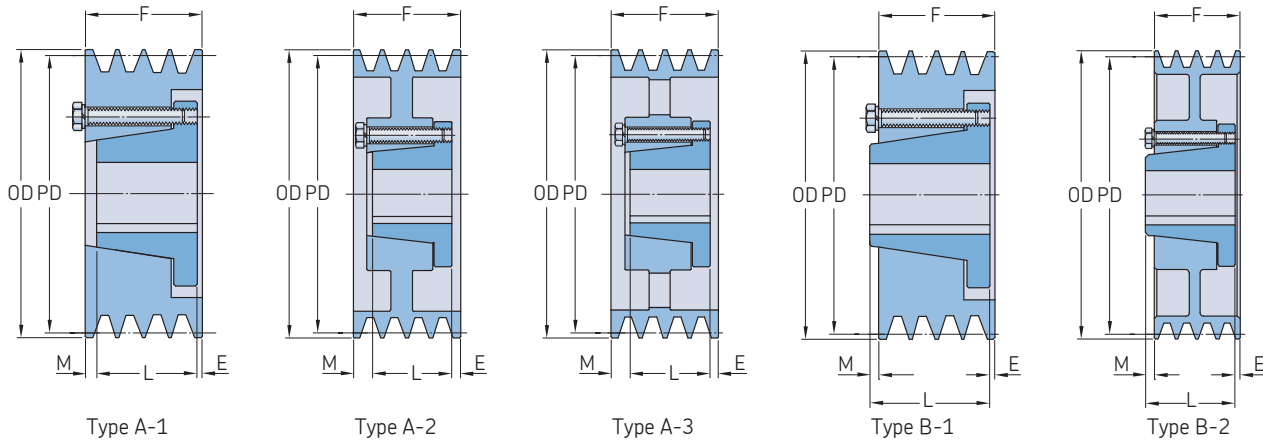


Section	Number of grooves	Pitch diameter PD	Pulley type	Bushing number	Dimensions		Bore Min.	Bore Max.	E	F	L	M	Mass <sup>1)</sup> kg	Designation
					Outer diameter OD	in.								
5V	2	284,48	D-3	SK	287,02	11.30	12.70	66.68	8.73	42.86	49.21	2	8.1	PHP 2-5V1130-SK
		297,18	D-3	SK	299,72	11.80	12.70	66.68	8.73	42.86	49.21	2	8.6	PHP 2-5V1180-SK
		314,96	D-3	SF	317,50	12.50	12.70	74.61	10.32	42.86	52.39	1	9.5	PHP 2-5V1250-SF
		332,74	D-3	SF	335,28	13.20	12.70	74.61	10.32	42.86	52.39	1	10,3	PHP 2-5V1320-SF
		353,06	D-3	SF	355,60	14.00	12.70	74.61	10.32	42.86	52.39	1	11,5	PHP 2-5V1400-SF
		378,46	D-3	SF	381,00	15.00	12.70	74.61	10.32	42.86	52.39	1	12,4	PHP 2-5V1500-SF
		403,86	D-3	SF	406,40	16.00	12.70	74.61	10.32	42.86	52.39	1	13,2	PHP 2-5V1600-SF
		472,44	D-3	SF	474,98	18.70	12.70	74.61	10.32	42.86	52.39	1	16,3	PHP 2-5V1870-SF
		535,94	D-3	SF	538,48	21.20	12.70	74.61	10.32	42.86	26.99	1	19,5	PHP 2-5V2120-SF
		596,90	C-3	E	599,44	23.60	22.23	88.90	23.02	42.86	69.85	4	25,0	PHP 2-5V2360-E
		708,66	C-3	E	711,20	28.00	22.23	88.90	23.02	42.86	69.85	4	30,4	PHP 2-5V2800-E
5V	3	109,22	E-1	SDS	111,76	4.40	12.70	50.80	43.66	60.33	33.34	17	3.0	PHP 3-5V440-SDS
		115,57	E-1	SDS	118,11	4.65	12.70	50.80	43.66	60.33	33.34	17	3.5	PHP 3-5V465-SDS
		121,92	A-1	SDS	124,46	4.90	12.70	50.80	10.32	60.33	33.34	17	3.5	PHP 3-5V490-SDS
		129,54	A-1	SDS	132,08	5.20	12.70	50.80	10.32	60.33	33.34	17	3,6	PHP 3-5V520-SDS
		137,16	A-1	SDS	139,70	5.50	12.70	50.80	10.32	60.33	33.34	17	3,7	PHP 3-5V550-SDS
		147,32	A-1	SDS	149,86	5.90	12.70	50.80	10.32	60.33	33.34	17	3,9	PHP 3-5V590-SDS
		157,48	A-1	SK	160,02	6.30	12.70	66.68	7.14	60.33	49.21	4	4,7	PHP 3-5V630-SK
		167,64	A-1	SK	170,18	6.70	12.70	66.68	7.14	60.33	49.21	4	5,3	PHP 3-5V670-SK
		177,80	A-1	SF	180,34	7.10	12.70	74.61	3.97	60.33	52.39	4	5,8	PHP 3-5V710-SF
		187,96	A-1	SF	190,50	7.50	12.70	74.61	3.97	60.33	52.39	4	6,8	PHP 3-5V750-SF
		200,66	A-1	SF	203,20	8.00	12.70	74.61	3.97	60.33	52.39	4	7,5	PHP 3-5V800-SF
		213,36	A-3	SF	215,90	8.50	12.70	74.61	3.97	60.33	52.39	4	8,2	PHP 3-5V850-SF
		226,06	A-3	SF	228,60	9.00	12.70	74.61	3.97	60.33	52.39	4	9,0	PHP 3-5V900-SF
		232,41	A-3	SF	234,95	9.25	12.70	74.61	3.97	60.33	52.39	4	9,4	PHP 3-5V925-SF
		245,11	A-3	SF	247,65	9.75	12.70	74.61	3.97	60.33	52.39	4	10,3	PHP 3-5V975-SF
		259,08	A-3	SF	261,62	10.30	12.70	74.61	3.97	60.33	52.39	4	11,2	PHP 3-5V1030-SF
		274,32	A-3	SF	276,86	10.90	12.70	74.61	3.97	60.33	52.39	4	12,1	PHP 3-5V1090-SF
		284,48	A-3	SF	287,02	11.30	12.70	74.61	3.97	60.33	52.39	4	12,8	PHP 3-5V1130-SF
		297,18	D-3	SF	299,72	11.80	12.70	74.61	3.97	60.33	52.39	4	13,5	PHP 3-5V1180-SF
		314,96	D-3	E	317,50	12.50	22.23	88.90	10.32	60.33	69.85	1	15,4	PHP 3-5V1250-E
		332,74	D-3	E	335,28	13.20	22.23	88.90	10.32	60.33	69.85	1	15,9	PHP 3-5V1320-E
		353,06	D-3	E	355,60	14.00	22.23	88.90	10.32	60.33	69.85	1	16,8	PHP 3-5V1400-E
		378,46	D-3	E	381,00	15.00	22.23	88.90	10.32	60.33	69.85	1	17,2	PHP 3-5V1500-E
		403,86	D-3	E	406,40	16.00	22.23	88.90	10.32	60.33	69.85	1	17,8	PHP 3-5V1600-E
		472,44	D-3	E	474,98	18.70	22.23	88.90	10.32	60.33	69.85	1	21,4	PHP 3-5V1870-E
		535,94	D-3	E	538,48	21.20	22.23	88.90	10.32	60.33	69.85	1	25,0	PHP 3-5V2120-E
		596,90	D-3	E	599,44	23.60	22.23	88.90	10.32	60.33	69.85	1	31,8	PHP 3-5V2360-E
		708,66	D-3	E	711,20	28.00	22.23	88.90	10.32	60.33	69.85	1	39,2	PHP 3-5V2800-E
		797,56	C-3	F	800,10	31.50	25.40	101.60	19.84	60.33	95.25	15	52,6	PHP 3-5V3150-F
		949,96	C-3	F	952,50	37.50	25.40	101.60	19.84	60.33	95.25	15	64,0	PHP 3-5V3750-F
		1267,46	C-3	F	1270,00	50.00	25.40	101.60	19.84	60.33	95.25	15	95,7	PHP 3-5V5000-F
5V	4	109,22	E-1	SD	111,76	4.40	12.70	50.80	48.42	77.79	46.04	17	3,4	PHP 4-5V440-SD
		115,57	E-1	SD	118,11	4.65	12.70	50.80	48.42	77.79	46.04	17	3,6	PHP 4-5V465-SD
		121,92	A-1	SD	124,46	4.90	12.70	50.80	16.67	77.79	46.04	15	3,9	PHP 4-5V490-SD
		129,54	A-1	SD	132,08	5.20	12.70	50.80	16.67	77.79	46.04	15	4,0	PHP 4-5V520-SD
		137,16	A-1	SD	139,70	5.50	12.70	50.80	16.67	77.79	46.04	15	4,2	PHP 4-5V550-SD
		147,32	A-1	SD	149,86	5.90	12.70	50.80	16.67	77.79	46.04	15	4,6	PHP 4-5V590-SD
		157,48	A-1	SK	160,02	6.30	12.70	66.68	13.49	77.79	49.21	15	5,4	PHP 4-5V630-SK
		167,64	A-1	SK	170,18	6.70	12.70	66.68	13.49	77.79	49.21	15	6,2	PHP 4-5V670-SK
		177,80	A-1	SF	180,34	7.10	12.70	74.61	5.56	77.79	52.39	20	6,8	PHP 4-5V710-SF
		187,96	A-1	SF	190,50	7.50	12.70	74.61	5.56	77.79	52.39	20	7,7	PHP 4-5V750-SF

<sup>1)</sup> Mass does not include bushings.

# Narrow wedge belt pulleys

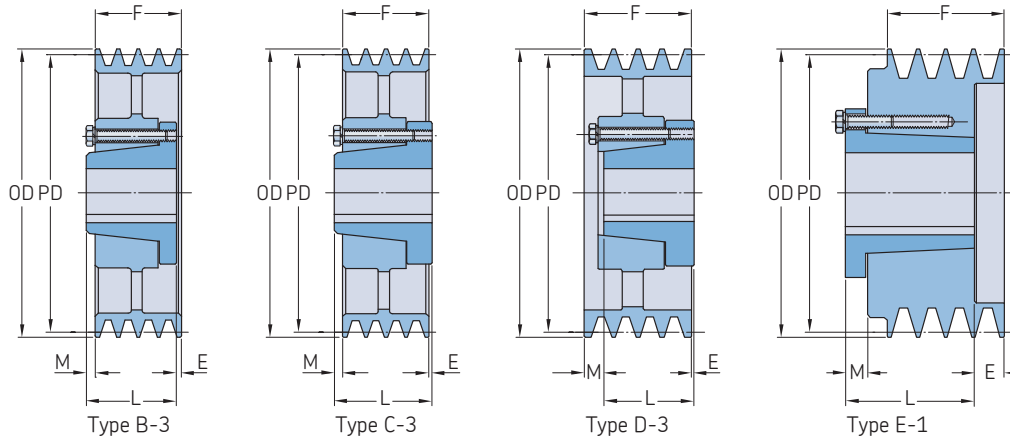
5V QD bushed



Section	Number of grooves	Pitch diameter PD	Pulley type	Bushing number	Dimensions		Bore		E	F	L	M	Mass <sup>1)</sup>	Designation	
					Outer diameter OD		Min.	Max.							
		mm			mm	in.								kg	
5V	4	200,66	B-1	E	203,20	8.00	22,23	88,90	8,73	77,79	69,85	1	8,5	PHP 4-5V800-E	
		213,36	B-1	E	215,90	8.50	22,23	88,90	8,73	77,79	69,85	1	9,9	PHP 4-5V850-E	
		226,06	B-1	E	228,60	9.00	22,23	88,90	8,73	77,79	69,85	1	11,0	PHP 4-5V900-E	
		232,41	B-1	E	234,95	9.25	22,23	88,90	8,73	77,79	69,85	1	11,7	PHP 4-5V925-E	
		245,11	B-1	E	247,65	9.75	22,23	88,90	8,73	77,79	69,85	1	12,8	PHP 4-5V975-E	
		259,08	B-1	E	261,62	10.30	22,23	88,90	8,73	77,79	69,85	1	13,5	PHP 4-5V1030-E	
		274,32	B-2	E	276,86	10.90	22,23	88,90	8,73	77,79	69,85	1	13,9	PHP 4-5V1090-E	
		284,48	A-3	E	287,02	11.30	22,23	88,90	7,14	77,79	69,85	1	14,5	PHP 4-5V1130-E	
		297,18	B-2	E	299,72	11.80	22,23	88,90	8,73	77,79	69,85	1	15,0	PHP 4-5V1180-E	
		314,96	A-3	E	317,50	12.50	22,23	88,90	7,14	77,79	69,85	1	16,5	PHP 4-5V1250-E	
		332,74	A-3	E	335,28	13.20	22,23	88,90	7,14	77,79	69,85	1	17,3	PHP 4-5V1320-E	
		353,06	A-3	E	355,60	14.00	22,23	88,90	7,14	77,79	69,85	1	18,2	PHP 4-5V1400-E	
	378,46	A-3	E	381,00	15.00	22,23	88,90	7,14	77,79	69,85	1	19,7	PHP 4-5V1500-E		
	403,86	A-3	E	406,40	16.00	22,23	88,90	7,14	77,79	69,85	1	20,2	PHP 4-5V1600-E		
	472,44	A-3	E	474,98	18.70	22,23	88,90	2,38	77,79	69,85	1	24,3	PHP 4-5V1870-E		
	535,94	A-3	E	538,48	21.20	22,23	88,90	2,38	77,79	69,85	1	28,4	PHP 4-5V2120-E		
	596,90	C-3	F	599,44	23.60	25,40	101,60	11,91	77,79	95,25	6	37,9	PHP 4-5V2360-F		
	708,66	C-3	F	711,20	28.00	25,40	101,60	11,91	77,79	95,25	6	57,2	PHP 4-5V2800-F		
	797,56	C-3	F	800,10	31.50	25,40	101,60	11,91	77,79	95,25	6	67,1	PHP 4-5V3150-F		
	949,96	C-3	F	952,50	37.50	25,40	101,60	11,91	77,79	95,25	6	77,1	PHP 4-5V3750-F		
	1267,46	C-3	J	1270,00	50.00	38,10	114,30	19,05	77,79	117,48	21	112,5	PHP 4-5V5000-J		
	5V	5	109,22	E-1	SD	111,76	4.40	12,70	50,80	65,88	95,25	46,04	17	4,0	PHP 5-5V440-SD
			115,57	E-1	SD	118,11	4.65	12,70	50,80	65,88	95,25	46,04	17	4,2	PHP 5-5V465-SD
			121,92	A-1	SD	124,46	4.90	12,70	50,80	16,67	95,25	46,04	15	4,6	PHP 5-5V490-SD
129,54			A-1	SD	132,08	5.20	12,70	50,80	16,67	95,25	46,04	15	4,9	PHP 5-5V520-SD	
137,16			A-1	SD	139,70	5.50	12,70	50,80	16,67	95,25	46,04	15	5,4	PHP 5-5V550-SD	
147,32			A-1	SK	149,86	5.90	12,70	66,68	13,49	95,25	49,21	12	6,0	PHP 5-5V590-SK	
157,48			A-1	SK	160,02	6.30	12,70	66,68	13,49	95,25	49,21	12	7,2	PHP 5-5V630-SK	
167,64			A-1	SF	170,18	6.70	12,70	74,61	13,49	95,25	52,39	12	8,4	PHP 5-5V670-SF	
177,80			A-1	SF	180,34	7.10	12,70	74,61	13,49	95,25	52,39	10	9,8	PHP 5-5V710-SF	
187,96			A-1	SF	190,50	7.50	12,70	74,61	13,49	95,25	52,39	10	10,3	PHP 5-5V750-SF	
200,66			A-1	E	203,20	8.00	22,23	88,90	15,08	95,25	69,85	10	10,8	PHP 5-5V800-E	
213,36			A-1	E	215,90	8.50	22,23	88,90	15,08	95,25	69,85	10	11,3	PHP 5-5V850-E	
226,06		A-1	E	228,60	9.00	22,23	88,90	15,08	95,25	69,85	10	11,9	PHP 5-5V900-E		
232,41		A-1	E	234,95	9.25	22,23	88,90	15,08	95,25	69,85	10	12,8	PHP 5-5V925-E		
245,11		A-1	E	247,65	9.75	22,23	88,90	15,08	95,25	69,85	10	14,5	PHP 5-5V975-E		
259,08		A-2	E	261,62	10.30	22,23	88,90	15,08	95,25	69,85	10	15,0	PHP 5-5V1030-E		
274,32		A-2	E	276,86	10.90	22,23	88,90	15,08	95,25	69,85	10	15,9	PHP 5-5V1090-E		
284,48		A-3	E	287,02	11.30	22,23	88,90	15,08	95,25	69,85	10	16,6	PHP 5-5V1130-E		
297,18		A-3	E	299,72	11.80	22,23	88,90	15,08	95,25	69,85	10	17,2	PHP 5-5V1180-E		
314,96		A-3	E	317,50	12.50	22,23	88,90	15,08	95,25	69,85	10	18,5	PHP 5-5V1250-E		
332,74		A-3	E	335,28	13.20	22,23	88,90	15,08	95,25	69,85	10	19,2	PHP 5-5V1320-E		
353,06		A-3	E	355,60	14.00	22,23	88,90	15,08	95,25	69,85	10	20,2	PHP 5-5V1400-E		
378,46		A-3	E	381,00	15.00	22,23	88,90	15,08	95,25	69,85	10	21,9	PHP 5-5V1500-E		
403,86		A-3	E	406,40	16.00	22,23	88,90	15,08	95,25	69,85	10	23,2	PHP 5-5V1600-E		
472,44		D-3	F	474,98	18.70	25,40	101,60	2,38	95,25	95,25	2	31,8	PHP 5-5V1870-F		
535,94		D-3	F	538,48	21.20	25,40	101,60	0,79	95,25	95,25	1	40,4	PHP 5-5V2120-F		
596,90		D-3	F	599,44	23.60	25,40	101,60	0,79	95,25	95,25	1	47,6	PHP 5-5V2360-F		
708,66		D-3	F	711,20	28.00	25,40	101,60	0,79	95,25	95,25	1	55,8	PHP 5-5V2800-F		
797,56		C-3	J	800,10	31.50	38,10	114,30	11,11	95,25	117,48	11	68,5	PHP 5-5V3150-J		
949,96		C-3	J	952,50	37.50	38,10	114,30	11,11	95,25	117,48	11	86,2	PHP 5-5V3750-J		
1267,46		C-3	J	1270,00	50.00	38,10	114,30	11,11	95,25	117,48	11	126,1	PHP 5-5V5000-J		

<sup>1)</sup> Mass does not include bushings.

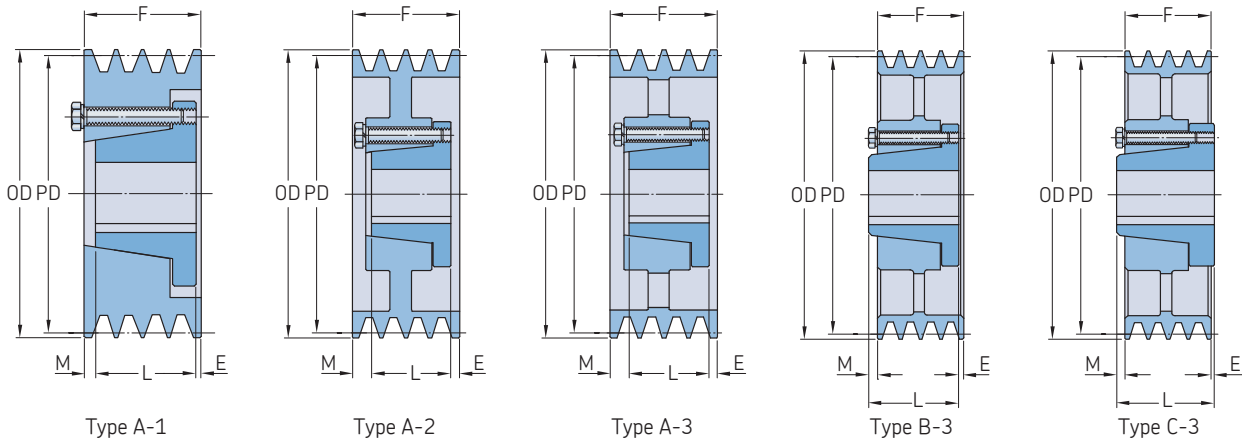
**Narrow wedge belt pulleys**  
5V QD bushed



Section	Number of grooves	Pitch diameter	Pulley type	Bushing number	Dimensions		Bore Min.	Max.	E	F	L	M	Mass <sup>1)</sup>	Designation
		PD			Outer diameter OD	mm								
5V	6	109,22	E-1	SD	111,76	4.40	12,70	50,80	96,04	112,71	46,04	17	4,6	PHP 6-5V440-SD
		115,57	E-1	SD	118,11	4.65	12,70	50,80	96,04	112,71	46,04	17	4,7	PHP 6-5V465-SD
		121,92	A-1	SD	124,46	4.90	12,70	50,80	16,67	112,71	46,04	50	5,1	PHP 6-5V490-SD
		129,54	A-1	SD	132,08	5.20	12,70	50,80	16,67	112,71	46,04	50	5,5	PHP 6-5V520-SD
		137,16	A-1	SD	139,70	5.50	12,70	50,80	16,67	112,71	46,04	50	6,0	PHP 6-5V550-SD
		147,32	A-1	SK	149,86	5.90	12,70	66,68	13,49	112,71	49,21	50	6,6	PHP 6-5V590-SK
		157,48	A-1	SK	160,02	6.30	12,70	66,68	13,49	112,71	49,21	50	7,9	PHP 6-5V630-SK
		167,64	A-1	SF	170,18	6.70	12,70	74,61	19,84	112,71	52,39	40	9,1	PHP 6-5V670-SF
		177,80	A-1	SF	180,34	7.10	12,70	74,61	19,84	112,71	52,39	40	9,9	PHP 6-5V710-SF
		187,96	A-1	SF	190,50	7.50	12,70	74,61	19,84	112,71	52,39	40	10,6	PHP 6-5V750-SF
		200,66	A-1	E	203,20	8.00	22,23	88,90	21,43	112,71	69,85	21	11,0	PHP 6-5V800-E
		213,36	A-1	E	215,90	8.50	22,23	88,90	21,43	112,71	69,85	21	12,1	PHP 6-5V850-E
		226,06	A-1	E	228,60	9.00	22,23	88,90	21,43	112,71	69,85	21	12,9	PHP 6-5V900-E
		232,41	A-1	E	234,95	9.25	22,23	88,90	21,43	112,71	69,85	21	13,7	PHP 6-5V925-E
		245,11	A-1	E	247,65	9.75	22,23	88,90	21,43	112,71	69,85	21	15,3	PHP 6-5V975-E
		259,08	A-2	E	261,62	10.30	22,23	88,90	21,43	112,71	69,85	21	16,6	PHP 6-5V1030-E
		274,32	A-2	E	276,86	10.90	22,23	88,90	21,43	112,71	69,85	21	17,3	PHP 6-5V1090-E
		284,48	A-3	E	287,02	11.30	22,23	88,90	21,43	112,71	69,85	21	18,1	PHP 6-5V1130-E
		297,18	A-2	E	299,72	11.80	22,23	88,90	21,43	112,71	69,85	21	18,7	PHP 6-5V1180-E
		314,96	B-3	F	317,50	12.50	25,40	101,60	18,26	112,71	95,25	1	26,4	PHP 6-5V1250-F
		332,74	B-3	F	335,28	13.20	25,40	101,60	18,26	112,71	95,25	1	29,0	PHP 6-5V1320-F
		353,06	B-3	F	355,60	14.00	25,40	101,60	18,26	112,71	95,25	1	29,9	PHP 6-5V1400-F
		378,46	B-3	F	381,00	15.00	25,40	101,60	18,26	112,71	95,25	1	30,8	PHP 6-5V1500-F
		403,86	B-3	F	406,40	16.00	25,40	101,60	18,26	112,71	95,25	1	35,2	PHP 6-5V1600-F
		472,44	D-3	F	474,98	18.70	25,40	101,60	0,79	112,71	95,25	18	38,9	PHP 6-5V1870-F
		535,94	D-3	F	538,48	21.20	25,40	101,60	0,79	112,71	95,25	18	43,5	PHP 6-5V2120-F
		596,90	C-3	J	599,44	23.60	38,10	114,30	3,18	112,71	117,48	2	51,3	PHP 6-5V2360-J
		708,66	C-3	J	711,20	28.00	38,10	114,30	3,18	112,71	117,48	2	67,1	PHP 6-5V2800-J
		797,56	C-3	J	800,10	31.50	38,10	114,30	3,18	112,71	117,48	2	83,0	PHP 6-5V3150-J
		949,96	C-3	J	952,50	37.50	38,10	114,30	3,18	112,71	117,48	2	98,9	PHP 6-5V3750-J
		1267,46	C-3	M	1270,00	50.00	50,80	139,70	27,78	112,71	171,45	31	140,6	PHP 6-5V5000-M
5V	8	177,80	A-1	SF	180,34	7.10	12,70	74,61	32,54	147,64	52,39	63	11,2	PHP 8-5V710-SF
		187,96	A-1	SF	190,50	7.50	12,70	74,61	32,54	147,64	52,39	63	12,8	PHP 8-5V750-SF
		200,66	A-1	E	203,20	8.00	22,23	63,50	34,13	147,64	69,85	44	15,9	PHP 8-5V800-E
		213,36	A-1	E	215,90	8.50	22,23	63,50	34,13	147,64	69,85	44	16,9	PHP 8-5V850-E
		226,06	A-1	E	228,60	9.00	22,23	63,50	34,13	147,64	69,85	44	19,1	PHP 8-5V900-E
		232,41	A-1	F	234,95	9.25	25,40	101,60	30,96	147,64	95,25	21	20,0	PHP 8-5V925-F
		245,11	A-1	F	247,65	9.75	25,40	101,60	30,96	147,64	95,25	21	22,0	PHP 8-5V975-F
		259,08	A-1	F	261,62	10.30	25,40	101,60	30,96	147,64	95,25	21	26,5	PHP 8-5V1030-F
		274,32	A-1	F	276,86	10.90	25,40	101,60	30,96	147,64	95,25	21	28,6	PHP 8-5V1090-F
		284,48	A-1	F	287,02	11.30	25,40	101,60	30,96	147,64	95,25	21	30,4	PHP 8-5V1130-F
		297,18	A-2	F	299,72	11.80	25,40	101,60	30,96	147,64	95,25	21	32,2	PHP 8-5V1180-F
		314,96	A-3	F	317,50	12.50	25,40	101,60	30,96	147,64	95,25	21	34,5	PHP 8-5V1250-F
		332,74	A-3	F	335,28	13.20	25,40	101,60	30,96	147,64	95,25	21	36,3	PHP 8-5V1320-F
		353,06	A-3	F	355,60	14.00	25,40	101,60	30,96	147,64	95,25	21	36,7	PHP 8-5V1400-F
		378,46	A-3	F	381,00	15.00	25,40	101,60	30,96	147,64	95,25	21	37,7	PHP 8-5V1500-F
		403,86	A-3	F	406,40	16.00	25,40	101,60	30,96	147,64	95,25	21	40,8	PHP 8-5V1600-F
		472,44	A-3	J	474,98	18.70	38,10	114,30	3,18	147,64	117,48	27	54,4	PHP 8-5V1870-J
		535,94	A-3	J	538,48	21.20	38,10	114,30	3,18	147,64	117,48	27	69,0	PHP 8-5V2120-J
		596,90	A-3	J	599,44	23.60	38,10	114,30	3,18	147,64	117,48	27	83,9	PHP 8-5V2360-J
		708,66	A-3	J	711,20	28.00	38,10	114,30	3,18	147,64	117,48	27	95,3	PHP 8-5V2800-J
		797,56	B-3	M	800,10	31.50	50,80	139,70	8,73	147,64	171,45	33	109,8	PHP 8-5V3150-M
		949,96	B-3	M	952,50	37.50	50,80	139,70	8,73	147,64	171,45	33	129,3	PHP 8-5V3750-M

<sup>1)</sup> Mass does not include bushings.

**Narrow wedge belt pulleys**  
5V QD bushed | 8V QD bushed



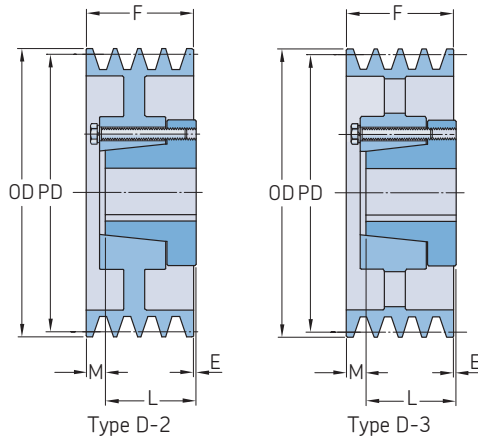
Section	Number of grooves	Pitch diameter PD	Pulley type	Bushing number	Dimensions		Bore		E	F	L	M	Mass <sup>1)</sup> kg	Designation
					Outer diameter OD	in.	Min.	Max.						
5V	10	200,66	A-1	E	203,20	8.00	22,23	88,90	53,18	182,56	69,85	60	17,1	PHP 10-5V800-E
		213,36	A-1	E	215,90	8.50	22,23	88,90	53,18	182,56	69,85	60	20,2	PHP 10-5V850-E
		226,06	A-1	F	228,60	9.00	25,40	101,60	50,01	182,56	95,25	37	23,3	PHP 10-5V900-F
		232,41	A-1	F	234,95	9.25	25,40	101,60	50,01	182,56	95,25	37	24,0	PHP 10-5V925-F
		245,11	A-1	F	247,65	9.75	25,40	101,60	50,01	182,56	95,25	37	25,4	PHP 10-5V975-F
		259,08	A-1	F	261,62	10.30	25,40	101,60	50,01	182,56	95,25	37	29,0	PHP 10-5V1030-F
		274,32	A-1	F	276,86	10.90	25,40	101,60	50,01	182,56	95,25	37	32,7	PHP 10-5V1090-F
		284,48	A-1	F	287,02	11.30	25,40	101,60	50,01	182,56	95,25	37	34,9	PHP 10-5V1130-F
		297,18	A-2	F	299,72	11.80	25,40	101,60	50,01	182,56	95,25	37	36,7	PHP 10-5V1180-F
		314,96	A-2	J	317,50	12.50	38,10	114,30	53,98	182,56	117,48	11	50,8	PHP 10-5V1250-J
		332,74	A-2	J	335,28	13.20	38,10	114,30	53,98	182,56	117,48	11	52,6	PHP 10-5V1320-J
		353,06	A-3	J	355,60	14.00	38,10	114,30	53,98	182,56	117,48	11	59,0	PHP 10-5V1400-J
		378,46	A-3	J	381,00	15.00	38,10	114,30	53,98	182,56	117,48	11	62,6	PHP 10-5V1500-J
		403,86	A-3	J	406,40	16.00	38,10	114,30	53,98	182,56	117,48	11	66,2	PHP 10-5V1600-J
		472,44	A-3	J	474,98	18.70	38,10	114,30	3,18	182,56	117,48	62	71,2	PHP 10-5V1870-J
		535,94	A-3	J	538,48	21.20	38,10	114,30	3,18	182,56	117,48	62	76,2	PHP 10-5V2120-J
		596,90	A-3	M	599,44	23.60	50,80	139,70	8,73	182,56	171,45	2	96,6	PHP 10-5V2360-M
		708,66	A-3	M	711,20	28.00	50,80	139,70	8,73	182,56	171,45	2	108,9	PHP 10-5V2800-M
		797,56	A-3	M	800,10	31.50	50,80	139,70	8,73	182,56	171,45	2	124,7	PHP 10-5V3150-M
		949,96	A-3	M	952,50	37.50	50,80	139,70	8,73	182,56	171,45	2	142,9	PHP 10-5V3750-M
		1267,46	A-3	M	1270,00	50.00	50,80	139,70	8,73	182,56	171,45	2	207,8	PHP 10-5V5000-M
8V	4	312,42	D-2	F	317,50	12.50	25,40	101,60	3,97	123,83	95,25	33	34,0	PHP 4-8V1250-F
		330,20	D-2	F	335,28	13.20	25,40	101,60	3,97	123,83	95,25	33	36,7	PHP 4-8V1320-F
		350,52	D-3	F	355,60	14.00	25,40	101,60	3,97	123,83	95,25	33	39,5	PHP 4-8V1400-F
		375,92	D-3	F	381,00	15.00	25,40	101,60	3,97	123,83	95,25	33	41,3	PHP 4-8V1500-F
		401,32	D-3	F	406,40	16.00	25,40	101,60	3,97	123,83	95,25	33	43,5	PHP 4-8V1600-F
		426,72	D-3	F	431,80	17.00	25,40	101,60	3,97	123,83	95,25	33	47,2	PHP 4-8V1700-F
		452,12	D-3	F	457,20	18.00	25,40	101,60	3,97	123,83	95,25	33	51,7	PHP 4-8V1800-F
		477,52	D-3	F	482,60	19.00	25,40	101,60	3,97	123,83	95,25	33	54,9	PHP 4-8V1900-F
		502,92	D-3	J	508,00	20.00	38,10	114,30	-	123,83	117,48	6	61,7	PHP 4-8V2000-J
		533,40	D-3	J	538,48	21.20	38,10	114,30	-	123,83	117,48	6	65,8	PHP 4-8V2120-J
		563,88	D-3	J	568,96	22.40	38,10	114,30	-	123,83	117,48	6	69,9	PHP 4-8V2240-J
		624,84	C-3	M	629,92	24.80	50,80	139,70	19,84	123,83	171,45	28	79,8	PHP 4-8V2480-M
		756,92	C-3	M	762,00	30.00	50,80	139,70	19,84	123,83	171,45	28	101,6	PHP 4-8V3000-M
		896,62	C-3	M	901,70	35.50	50,80	139,70	19,84	123,83	171,45	28	121,1	PHP 4-8V3550-M
		1010,92	C-3	M	1016,00	40.00	50,80	139,70	19,84	123,83	171,45	28	140,6	PHP 4-8V4000-M
		1125,22	C-3	M	1130,30	44.50	50,80	139,70	19,84	123,83	171,45	28	164,7	PHP 4-8V4450-M
		1341,12	C-3	M	1346,20	53.00	50,80	139,70	19,84	123,83	171,45	28	198,2	PHP 4-8V5300-M
8V	5	312,42	A-2	F	317,50	12.50	25,40	101,60	24,61	152,40	95,25	33	37,2	PHP 5-8V1250-F
		330,20	A-2	F	335,28	13.20	25,40	101,60	24,61	152,40	95,25	33	40,4	PHP 5-8V1320-F
		350,52	A-3	F	355,60	14.00	25,40	101,60	24,61	152,40	95,25	33	44,9	PHP 5-8V1400-F
		375,92	A-3	F	381,00	15.00	25,40	101,60	24,61	152,40	95,25	33	46,7	PHP 5-8V1500-F
		401,32	A-3	F	406,40	16.00	25,40	101,60	24,61	152,40	95,25	33	50,4	PHP 5-8V1600-F
		426,72	A-3	J	431,80	17.00	38,10	114,30	14,29	152,40	117,48	21	54,0	PHP 5-8V1700-J
		452,12	A-3	J	457,20	18.00	38,10	114,30	14,29	152,40	117,48	21	59,4	PHP 5-8V1800-J
		477,52	A-3	J	482,60	19.00	38,10	114,30	14,29	152,40	117,48	21	64,4	PHP 5-8V1900-J
		502,92	A-3	J	508,00	20.00	38,10	114,30	14,29	152,40	117,48	21	68,5	PHP 5-8V2000-J
		533,40	A-3	J	538,48	21.20	38,10	114,30	14,29	152,40	117,48	21	75,8	PHP 5-8V2120-J
		563,88	B-3	M	568,96	22.40	50,80	139,70	8,73	152,40	171,45	28	80,7	PHP 5-8V2240-M
		624,84	B-3	M	629,92	24.80	50,80	139,70	8,73	152,40	171,45	28	91,2	PHP 5-8V2480-M
		756,92	B-3	M	762,00	30.00	50,80	139,70	8,73	152,40	171,45	28	110,2	PHP 5-8V3000-M
		896,62	B-3	M	901,70	35.50	50,80	139,70	8,73	152,40	171,45	28	126,1	PHP 5-8V3550-M
		1010,92	B-3	M	1016,00	40.00	50,80	139,70	8,73	152,40	171,45	28	154,2	PHP 5-8V4000-M

<sup>1)</sup> Mass does not include bushings.



# Narrow wedge belt pulleys

8V QD bushed

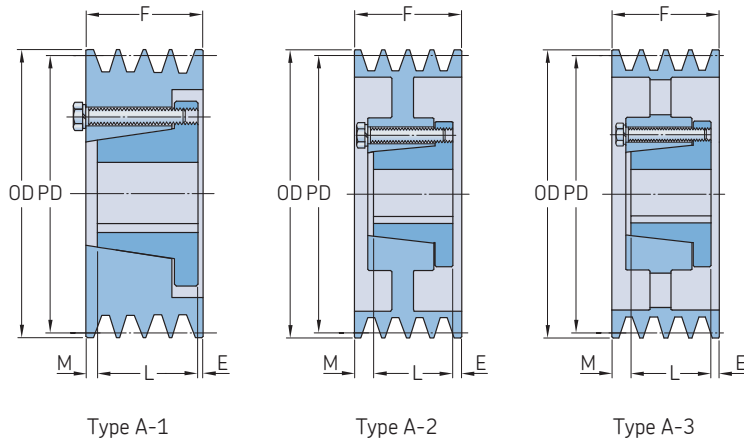


Section	Number of grooves	Pitch diameter PD	Pulley type	Bushing number	Dimensions							Mass <sup>1)</sup> kg	Designation			
					Outer diameter OD	Bore Min.	Max.	E	F	L	M					
		mm			mm	in.										
8V	5	1125,22	C-3	N	1130,30	44.50	61.91	138.11	28.58	152.40	206.38	25	189,6	PHP 5-8V4450-N		
		1341,12	C-3	N	1346,20	53.00	61.91	138.11	28.58	152.40	206.38	25	225,0	PHP 5-8V5300-N		
8V	6	312,42	A-2	F	317,50	12.50	25.40	101.60	24.61	180.98	95.25	61	40,8	PHP 6-8V1250-F		
		330,20	A-2	F	335,28	13.20	25.40	101.60	24.61	180.98	95.25	61	44,5	PHP 6-8V1320-F		
		350,52	A-3	F	355,60	14.00	25.40	101.60	24.61	180.98	95.25	61	50,8	PHP 6-8V1400-F		
		375,92	A-2	J	381,00	15.00	38.10	114.30	28.58	180.98	117.48	35	55,8	PHP 6-8V1500-J		
		401,32	A-3	J	406,40	16.00	38.10	114.30	28.58	180.98	117.48	35	58,5	PHP 6-8V1600-J		
		426,72	A-3	J	431,80	17.00	38.10	114.30	28.58	180.98	117.48	35	61,7	PHP 6-8V1700-J		
		452,12	A-3	J	457,20	18.00	38.10	114.30	28.58	180.98	117.48	35	64,9	PHP 6-8V1800-J		
		477,52	A-3	J	482,60	19.00	38.10	114.30	28.58	180.98	117.48	35	71,2	PHP 6-8V1900-J		
		502,92	B-3	M	508,00	20.00	50.80	139.70	34.13	180.98	171.45	25	81,2	PHP 6-8V2000-M		
		533,40	B-3	M	538,48	21.20	50.80	139.70	34.13	180.98	171.45	25	87,5	PHP 6-8V2120-M		
		563,88	B-3	M	568,96	22.40	50.80	139.70	34.13	180.98	171.45	25	93,0	PHP 6-8V2240-M		
		624,84	A-3	M	629,92	24.80	50.80	139.70	8.73	180.98	171.45	1	106,6	PHP 6-8V2480-M		
		756,92	A-3	M	762,00	30.00	50.80	139.70	8.73	180.98	171.45	1	129,3	PHP 6-8V3000-M		
		896,62	C-3	N	901,70	35.50	61.91	138.11	23.81	180.98	206.38	2	154,2	PHP 6-8V3500-N		
		1010,92	C-3	N	1016,00	40.00	61.91	138.11	23.81	180.98	206.38	2	178,7	PHP 6-8V4000-N		
		1125,22	C-3	N	1130,30	44.50	61.91	138.11	23.81	180.98	206.38	2	221,8	PHP 6-8V4450-N		
		1341,12	C-3	N	1346,20	53.00	61.91	138.11	23.81	180.98	206.38	2	264,9	PHP 6-8V5300-N		
		8V	8	312,42	A-1	J	317,50	12.50	38.10	114.30	53.98	238.13	117.48	67	59,4	PHP 8-8V1250-J
				330,20	A-1	J	335,28	13.20	38.10	114.30	53.98	238.13	117.48	67	72,6	PHP 8-8V1320-J
				350,52	A-2	J	355,60	14.00	38.10	114.30	53.98	238.13	117.48	67	79,4	PHP 8-8V1400-J
375,92	A-2			J	381,00	15.00	38.10	114.30	53.98	238.13	117.48	67	84,4	PHP 8-8V1500-J		
401,32	A-2			J	406,40	16.00	38.10	114.30	53.98	238.13	117.48	67	95,3	PHP 8-8V1600-J		
426,72	A-2			M	431,80	17.00	50.80	139.70	59.53	238.13	171.45	7	100,2	PHP 8-8V1700-M		
452,12	A-2			M	457,20	18.00	50.80	139.70	59.53	238.13	171.45	7	106,6	PHP 8-8V1800-M		
477,52	A-3			M	482,60	19.00	50.80	139.70	59.53	238.13	171.45	7	113,4	PHP 8-8V1900-M		
502,92	A-3			M	508,00	20.00	50.80	139.70	59.53	238.13	171.45	7	120,2	PHP 8-8V2000-M		
533,40	A-3			M	538,48	21.20	50.80	139.70	59.53	238.13	171.45	7	127,0	PHP 8-8V2120-M		
563,88	A-3			M	568,96	22.40	50.80	139.70	59.53	238.13	171.45	7	133,8	PHP 8-8V2240-M		
624,84	A-2			N	629,92	24.80	61.91	138.11	4.76	238.13	206.38	17	145,2	PHP 8-8V2480-N		
756,92	A-3			N	762,00	30.00	61.91	138.11	4.76	238.13	206.38	17	170,1	PHP 8-8V3000-N		
896,62	A-3			N	901,70	35.50	61.91	138.11	4.76	238.13	206.38	17	200,5	PHP 8-8V3500-N		
1010,92	A-3			N	1016,00	40.00	61.91	138.11	4.76	238.13	206.38	17	240,4	PHP 8-8V4000-N		
1125,22	B-3			P	1130,30	44.50	74.61	177.80	6.35	238.13	238.13	6	276,7	PHP 8-8V4450-P		
1341,12	B-3			P	1346,20	53.00	74.61	177.80	6.35	238.13	238.13	6	360,6	PHP 8-8V5300-P		
8V	10			312,42	A-1	J	317,50	12.50	38.10	114.30	53.98	295.28	117.48	131	70,3	PHP 10-8V1250-J
				330,20	A-1	J	335,28	13.20	38.10	114.30	53.98	295.28	117.48	131	86,2	PHP 10-8V1320-J
				350,52	A-1	J	355,60	14.00	38.10	114.30	53.98	295.28	117.48	131	95,3	PHP 10-8V1400-J
		375,92	A-1	M	381,00	15.00	50.80	139.70	59.53	295.28	171.45	64	120,7	PHP 10-8V1500-M		
		401,32	A-2	M	406,40	16.00	50.80	139.70	59.53	295.28	171.45	64	116,1	PHP 10-8V1600-M		
		426,72	A-1	M	431,80	17.00	50.80	139.70	59.53	295.28	171.45	64	127,5	PHP 10-8V1700-M		
		452,12	A-2	M	457,20	18.00	50.80	139.70	59.53	295.28	171.45	64	131,5	PHP 10-8V1800-M		
		477,52	A-2	M	482,60	19.00	50.80	139.70	59.53	295.28	171.45	64	136,5	PHP 10-8V1900-M		
		502,92	A-2	M	508,00	20.00	50.80	139.70	59.53	295.28	171.45	64	147,4	PHP 10-8V2000-M		
		533,40	A-2	M	538,48	21.20	50.80	139.70	59.53	295.28	171.45	64	154,2	PHP 10-8V2120-M		
		563,88	A-2	N	568,96	22.40	61.91	138.11	4.76	295.28	206.38	84	165,6	PHP 10-8V2240-N		
		624,84	A-2	N	629,92	24.80	61.91	138.11	4.76	295.28	206.38	84	176,9	PHP 10-8V2480-N		
		756,92	A-3	N	762,00	30.00	61.91	138.11	4.76	295.28	206.38	84	197,3	PHP 10-8V3000-N		
		896,62	A-2	P	901,70	35.50	74.61	177.80	6.35	295.28	238.13	51	230,0	PHP 10-8V3500-P		
		1010,92	A-3	P	1016,00	40.00	74.61	177.80	6.35	295.28	238.13	51	279,0	PHP 10-8V4000-P		
		1125,22	A-2	P	1130,30	44.50	74.61	177.80	6.35	295.28	238.13	51	322,1	PHP 10-8V4450-P		

<sup>1)</sup> Mass does not include bushings.

# Narrow wedge belt pulleys

8V QD bushed



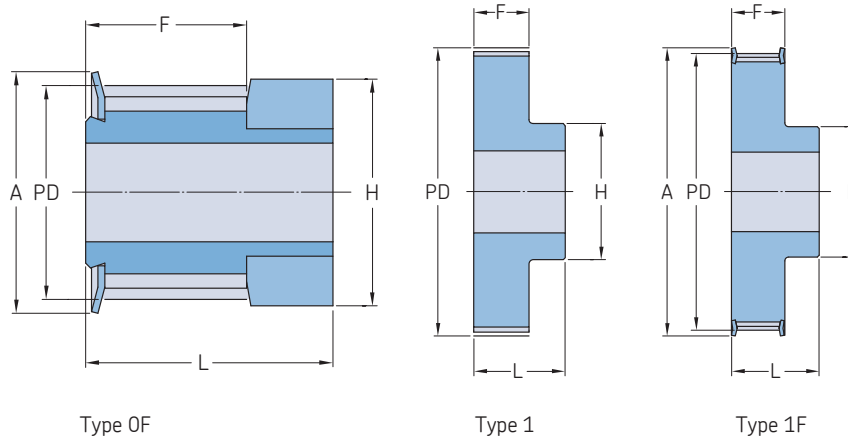
Section	Number of grooves	Pitch diameter PD	Pulley type	Bushing number	Dimensions		Bore Min.	Bore Max.	E	F	L	M	Mass <sup>1)</sup> kg	Designation
					Outer diameter OD	<i>in.</i>								
-	-	mm	-	-	mm	<i>in.</i>							kg	-
8V	10	1341,12	A-3	P	1346,20	53.00	74.61	177.80	6.35	295.28	238.13	51	428,6	PHP 10-8V5300-P
8V	12	312,42	A-1	M	317,50	12.50	50.80	139.70	59.53	339.73	171.45	121	88,5	PHP 12-8V1250-M
		330,20	A-1	M	335,28	13.20	50.80	139.70	59.53	339.73	171.45	121	104,3	PHP 12-8V1320-M
		350,52	A-1	M	355,60	14.00	50.80	139.70	59.53	339.73	171.45	121	113,4	PHP 12-8V1400-M
		375,92	A-1	M	381,00	15.00	50.80	139.70	59.53	339.73	171.45	121	121,6	PHP 12-8V1500-M
		401,32	A-1	M	406,40	16.00	50.80	139.70	59.53	339.73	171.45	121	134,3	PHP 12-8V1600-M
		426,72	A-1	M	431,80	17.00	50.80	139.70	59.53	339.73	171.45	121	154,7	PHP 12-8V1700-M
	452,12	A-1	M	457,20	18.00	50.80	139.70	59.53	339.73	171.45	121	156,5	PHP 12-8V1800-M	
	477,52	A-1	N	482,60	19.00	61.91	138.11	4.76	339.73	206.38	141	159,7	PHP 12-8V1900-N	
	502,92	A-1	N	508,00	20.00	61.91	138.11	4.76	339.73	206.38	141	174,6	PHP 12-8V2000-N	
	533,40	A-1	N	538,48	21.20	61.91	138.11	4.76	339.73	206.38	141	181,4	PHP 12-8V2120-N	
	563,88	A-1	N	568,96	22.40	61.91	138.11	4.76	339.73	206.38	141	197,3	PHP 12-8V2240-N	
	624,84	A-1	N	629,92	24.80	61.91	138.11	4.76	339.73	206.38	141	208,7	PHP 12-8V2480-N	
	756,92	A-2	P	762,00	30.00	74.61	177.80	6.35	339.73	238.13	108	224,5	PHP 12-8V3000-P	
	896,62	A-2	P	901,70	35.50	74.61	177.80	6.35	339.73	238.13	108	259,5	PHP 12-8V3550-P	
	1010,92	A-2	P	1016,00	40.00	74.61	177.80	6.35	339.73	238.13	108	317,5	PHP 12-8V4000-P	
	1125,22	A-2	P	1130,30	44.50	74.61	177.80	6.35	339.73	238.13	108	374,2	PHP 12-8V4450-P	
1341,12	A-2	P	1346,20	53.00	74.61	177.80	6.35	339.73	238.13	108	489,9	PHP 12-8V5300-P		

<sup>1)</sup> Mass does not include bushings.



# HiTD pulleys

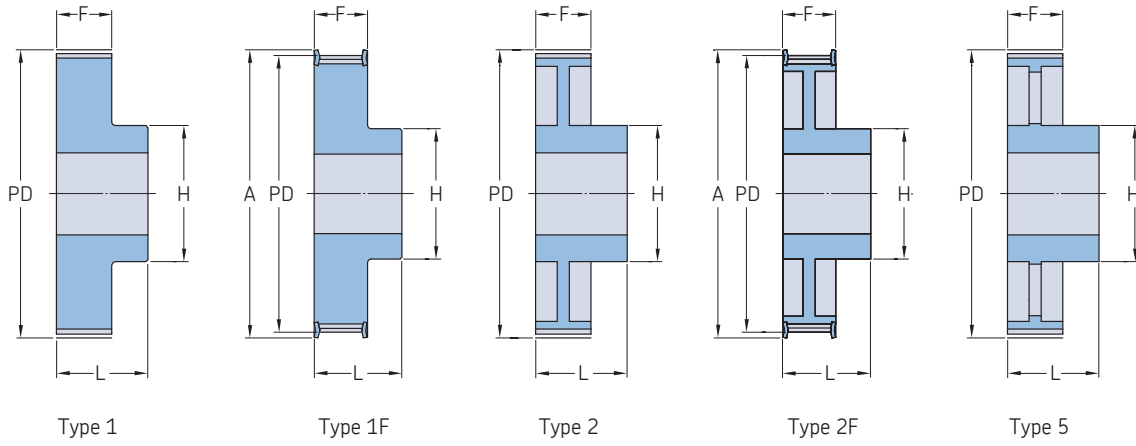
3 mm pitch pilot bore (RSB) | 5 mm pitch pilot bore (RSB)



Pitch	Belt width	Pitch diameter	Number of teeth	Pulley type	Dimensions									Mass	Designation	
					Outer diameter OD	A	B Min.	Max.	F	K	L	M	H			
mm		PD	-	-	mm									kg	-	
3	09	9,55	10	OF	8,79	13,0	-	4,0	10,2	-	17,5	-	13,0	0,04	PHP 10-3M-09RSB	
		11,46	12	OF	10,70	15,0	-	6,0	10,2	-	17,5	-	15,0	0,06	PHP 12-3M-09RSB	
		13,37	14	OF	12,61	16,0	-	7,0	10,2	-	17,5	-	16,0	0,07	PHP 14-3M-09RSB	
		14,32	15	OF	13,56	17,5	-	8,0	10,2	-	17,5	-	17,5	0,08	PHP 15-3M-09RSB	
		15,28	16	1F	14,52	18,0	4	6,0	12,8	-	20,6	-	10,0	0,07	PHP 16-3M-09RSB	
		17,19	18	1F	16,43	19,5	6	6,5	12,8	-	20,6	-	11,0	0,08	PHP 18-3M-09RSB	
		19,10	20	1F	18,34	23,0	6	8,0	12,8	-	20,6	-	13,0	0,01	PHP 20-3M-09RSB	
		20,05	21	1F	19,29	25,0	6	8,5	12,8	-	20,6	-	14,0	0,01	PHP 21-3M-09RSB	
		21,01	22	1F	20,25	25,0	6	8,5	12,8	-	20,6	-	14,0	0,01	PHP 22-3M-09RSB	
		22,92	24	1F	22,16	25,0	6	8,5	12,8	-	20,6	-	14,0	0,02	PHP 24-3M-09RSB	
		24,83	26	1F	24,07	28,0	6	10,5	12,8	-	20,6	-	16,0	0,02	PHP 26-3M-09RSB	
		26,74	28	1F	25,98	32,0	6	11,5	12,8	-	20,6	-	18,0	0,02	PHP 28-3M-09RSB	
	28,65	30	1F	27,89	32,0	6	12,5	12,8	-	20,6	-	20,0	0,03	PHP 30-3M-09RSB		
	30,56	32	1F	29,80	36,0	6	14,0	12,8	-	20,6	-	22,0	0,03	PHP 32-3M-09RSB		
	34,38	36	1F	33,62	38,0	6	17,0	13,4	-	22,2	-	26,0	0,05	PHP 36-3M-09RSB		
	38,20	40	1F	37,44	42,0	6	19,0	13,4	-	22,2	-	28,0	0,06	PHP 40-3M-09RSB		
	42,02	44	1F	41,26	48,0	6	22,5	13,4	-	22,2	-	33,0	0,07	PHP 44-3M-09RSB		
	45,84	48	1	45,08	-	8	22,5	13,4	-	22,2	-	33,0	0,07	PHP 48-3M-09RSB		
	57,30	60	1	56,54	-	8	22,5	13,4	-	22,2	-	33,0	0,11	PHP 60-3M-09RSB		
	68,75	72	1	67,99	-	8	22,5	13,4	-	22,2	-	33,0	0,14	PHP 72-3M-09RSB		
	3	15	9,55	10	OF	8,79	13,0	-	3,0	17,0	-	26,0	-	13,0	0,04	PHP 10-3M-15RSB
			11,46	12	OF	10,70	15,0	-	5,0	17,0	-	26,0	-	15,0	0,06	PHP 12-3M-15RSB
			13,37	14	OF	12,61	16,0	-	6,0	17,0	-	26,0	-	16,0	0,07	PHP 14-3M-15RSB
			14,32	15	OF	13,56	17,5	-	6,0	17,0	-	26,0	-	17,5	0,08	PHP 15-3M-15RSB
15,28			16	1F	14,52	18,0	4	7,0	19,5	-	26,0	-	10,0	0,07	PHP 16-3M-15RSB	
17,19			18	1F	16,43	19,5	6	8,0	19,5	-	26,0	-	11,0	0,08	PHP 18-3M-15RSB	
19,10			20	1F	18,34	23,0	6	9,0	19,5	-	26,0	-	13,0	0,01	PHP 20-3M-15RSB	
20,05			21	1F	19,29	25,0	6	9,0	19,5	-	26,0	-	14,0	0,01	PHP 21-3M-15RSB	
21,01			22	1F	20,25	25,0	6	9,0	19,5	-	26,0	-	14,0	0,01	PHP 22-3M-15RSB	
22,92			24	1F	22,16	25,0	6	9,0	19,5	-	26,0	-	14,0	0,02	PHP 24-3M-15RSB	
24,83			26	1F	24,07	28,0	6	11,0	19,5	-	26,0	-	16,0	0,02	PHP 26-3M-15RSB	
26,74			28	1F	25,98	32,0	6	12,0	19,5	-	26,0	-	18,0	0,02	PHP 28-3M-15RSB	
28,65		30	1F	27,89	32,0	6	14,0	19,5	-	26,0	-	20,0	0,03	PHP 30-3M-15RSB		
30,56		32	1F	29,80	36,0	6	15,0	19,5	-	26,0	-	22,0	0,03	PHP 32-3M-15RSB		
34,38		36	1F	33,62	38,0	6	16,0	20,0	-	30,0	-	26,0	0,05	PHP 36-3M-15RSB		
38,20		40	1F	37,44	42,0	6	18,0	20,0	-	30,0	-	28,0	0,06	PHP 40-3M-15RSB		
42,02		44	1F	41,26	48,0	6	20,0	20,0	-	30,0	-	33,0	0,07	PHP 44-3M-15RSB		
45,84		48	1	45,08	-	8	20,0	20,0	-	30,0	-	33,0	0,07	PHP 48-3M-15RSB		
57,30		60	1	56,54	-	8	20,0	20,0	-	30,0	-	33,0	0,11	PHP 60-3M-15RSB		
68,75		72	1	67,99	-	8	20,0	20,0	-	30,0	-	33,0	0,14	PHP 72-3M-15RSB		
5		09	19,10	12	1F	17,96	25,0	4	8,0	14,5	-	20,0	-	13,0	0,03	PHP 12-5M-09RSB
			22,28	14	1F	21,14	25,0	6	9,0	14,5	-	20,0	-	13,0	0,03	PHP 14-5M-09RSB
			23,87	15	1F	22,73	28,0	6	11,0	14,5	-	20,0	-	16,0	0,04	PHP 15-5M-09RSB
			25,46	16	1F	24,32	28,0	6	11,0	14,5	-	20,0	-	16,0	0,05	PHP 16-5M-09RSB
	28,65		18	1F	27,51	32,0	6	13,0	14,5	-	20,0	-	19,0	0,07	PHP 18-5M-09RSB	
	31,83		20	1F	30,69	36,0	6	14,0	14,5	-	22,5	-	23,0	0,09	PHP 20-5M-09RSB	
	33,42		21	1F	32,28	38,0	6	15,0	14,5	-	22,5	-	24,0	0,11	PHP 21-5M-09RSB	
	35,01		22	1F	33,87	38,0	6	16,0	14,5	-	22,5	-	25,5	0,12	PHP 22-5M-09RSB	
	38,20		24	1F	37,06	42,0	6	18,0	14,5	-	22,5	-	27,0	0,15	PHP 24-5M-09RSB	
	41,38		26	1F	40,24	44,0	6	20,0	14,5	-	22,5	-	30,0	0,17	PHP 26-5M-09RSB	
	44,56		28	1F	43,42	48,0	6	20,0	14,5	-	22,5	-	30,5	0,20	PHP 28-5M-09RSB	
	47,75		30	1F	46,60	51,0	6	24,0	14,5	-	22,5	-	35,0	0,24	PHP 30-5M-09RSB	
50,93	32	1F	49,79	54,0	8	26,0	14,5	-	22,5	-	38,0	0,27	PHP 32-5M-09RSB			
57,30	36	1F	56,16	60,0	8	26,0	14,5	-	22,5	-	38,0	0,32	PHP 36-5M-09RSB			

# HiTD pulleys

5 mm pitch pilot bore (RSB) | 8 mm pitch pilot bore (RSB)



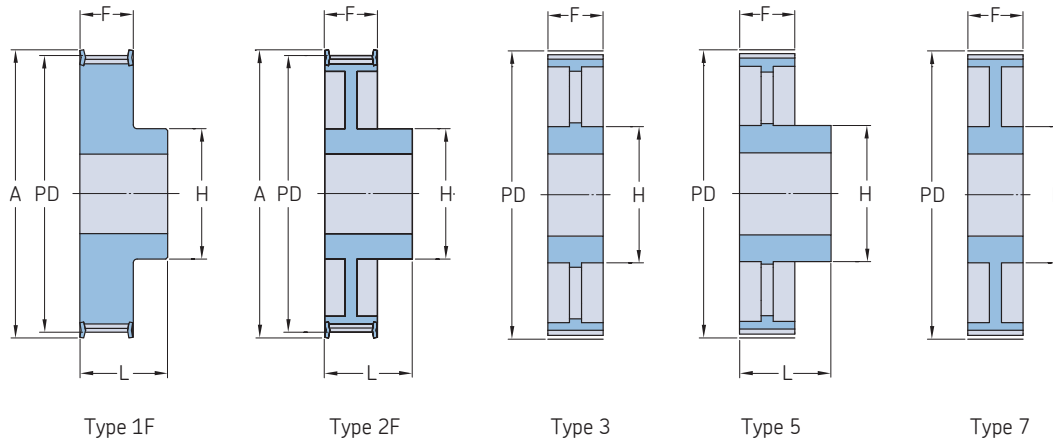
Pitch	Belt width	Pitch diameter	Number of teeth	Pulley type	Dimensions									Mass	Designation
					Outer diameter OD	A	B Min.	B Max.	F	K	L	M	H		
mm		PD	-	-	mm									kg	-
5	09	63,66	40	1F	62,52	71,0	8	26,0	14,5	-	22,5	-	38,0	0,40	PHP 40-5M-09RSB
		70,03	44	2	68,89	-	8	26,0	14,5	-	25,5	-	38,0	0,17	PHP 44-5M-09RSB
		76,39	48	2	75,25	-	8	26,0	14,5	-	25,5	-	38,0	0,18	PHP 48-5M-09RSB
		95,49	60	2	94,35	-	8	30,0	14,5	-	25,5	-	45,0	0,23	PHP 60-5M-09RSB
		114,59	72	2	113,45	-	8	30,0	14,5	-	25,5	-	45,0	0,27	PHP 72-5M-09RSB
		15	19,10	12	1F	17,96	25,0	4	8,0	20,5	-	26,0	-	13,0	0,03
	22,28		14	1F	21,14	25,0	6	9,0	20,5	-	26,0	-	13,0	0,05	PHP 14-5M-15RSB
	23,87		15	1F	22,73	28,0	6	11,0	20,5	-	26,0	-	16,0	0,06	PHP 15-5M-15RSB
	25,46		16	1F	24,32	28,0	6	11,0	20,5	-	26,0	-	16,0	0,06	PHP 16-5M-15RSB
	28,65		18	1F	27,51	32,0	6	13,0	20,5	-	26,0	-	19,0	0,09	PHP 18-5M-15RSB
	31,83		20	1F	30,69	36,0	6	14,0	20,5	-	26,0	-	23,0	0,11	PHP 20-5M-15RSB
	5	15	33,42	21	1F	32,28	38,0	6	15,0	20,5	-	26,0	-	24,0	0,13
35,01			22	1F	33,87	38,0	6	16,0	20,5	-	26,0	-	25,5	0,14	PHP 22-5M-15RSB
38,20			24	1F	37,06	42,0	6	18,0	20,5	-	28,0	-	27,0	0,18	PHP 24-5M-15RSB
41,38			26	1F	40,24	44,0	6	20,0	20,5	-	28,0	-	30,0	0,22	PHP 26-5M-15RSB
44,56			28	1F	43,42	48,0	6	20,0	20,5	-	28,0	-	30,5	0,25	PHP 28-5M-15RSB
47,75			30	1F	46,60	51,0	6	24,0	20,5	-	28,0	-	35,0	0,30	PHP 30-5M-15RSB
25		50,93	32	1F	49,79	54,0	8	26,0	20,5	-	28,0	-	38,0	0,35	PHP 32-5M-15RSB
		57,30	36	1F	56,16	60,0	8	26,0	20,5	-	28,0	-	38,0	0,52	PHP 36-5M-15RSB
		63,66	40	1F	62,52	71,0	8	26,0	20,5	-	28,0	-	38,0	0,43	PHP 40-5M-15RSB
		70,03	44	2	68,89	-	8	26,0	20,5	-	30,0	-	38,0	0,23	PHP 44-5M-15RSB
		76,39	48	2	75,25	-	8	26,0	20,5	-	30,0	-	38,0	0,19	PHP 48-5M-15RSB
		95,49	60	2	94,35	-	8	34,0	20,5	-	30,0	-	50,0	0,31	PHP 60-5M-15RSB
5	25	114,59	72	2	113,45	-	8	34,0	20,5	-	30,0	-	50,0	0,38	PHP 72-5M-15RSB
		19,10	12	1F	17,96	25,0	4	8,0	30,5	-	36,0	5,5	13,0	0,05	PHP 12-5M-25RSB
		22,28	14	1F	21,14	25,0	6	9,0	30,5	-	36,0	5,5	13,0	0,07	PHP 14-5M-25RSB
		23,87	15	1F	22,73	28,0	6	11,0	30,5	-	36,0	5,5	16,0	0,08	PHP 15-5M-25RSB
		25,46	16	1F	24,32	28,0	6	11,0	30,5	-	36,0	5,5	16,0	0,10	PHP 16-5M-25RSB
		28,65	18	1F	27,51	32,0	6	13,0	30,5	-	36,0	5,5	19,0	0,12	PHP 18-5M-25RSB
	20	31,83	20	1F	30,69	36,0	6	14,0	30,5	-	36,0	5,5	23,0	0,16	PHP 20-5M-25RSB
		33,42	21	1F	32,28	38,0	6	15,0	30,5	-	38,0	7,5	24,0	0,19	PHP 21-5M-25RSB
		35,01	22	1F	33,87	38,0	6	16,0	30,5	-	38,0	7,5	25,5	0,21	PHP 22-5M-25RSB
		38,20	24	1F	37,06	42,0	6	18,0	30,5	-	38,0	7,5	27,0	0,25	PHP 24-5M-25RSB
		41,38	26	1F	40,24	44,0	6	20,0	30,5	-	38,0	7,5	30,0	0,30	PHP 26-5M-25RSB
		44,56	28	1F	43,42	48,0	6	20,0	30,5	-	38,0	7,5	30,5	0,35	PHP 28-5M-25RSB
5	20	47,75	30	1F	46,60	51,0	6	24,0	30,5	-	38,0	7,5	35,0	0,42	PHP 30-5M-25RSB
		50,93	32	1F	49,79	54,0	8	26,0	30,5	-	38,0	7,5	38,0	0,48	PHP 32-5M-25RSB
		57,30	36	1F	56,16	60,0	8	26,0	30,5	-	38,0	7,5	38,0	0,59	PHP 36-5M-25RSB
		63,66	40	1F	62,52	71,0	8	26,0	30,5	-	38,0	7,5	38,0	0,74	PHP 40-5M-25RSB
		70,03	44	2	68,89	-	8	26,0	30,5	-	40,0	9,5	38,0	0,32	PHP 44-5M-25RSB
		76,39	48	2	72,25	-	8	26,0	30,5	-	40,0	9,5	38,0	0,28	PHP 48-5M-25RSB
	8	95,49	60	2	94,35	-	8	34,0	30,5	-	40,0	9,5	50,0	0,44	PHP 60-5M-25RSB
		114,59	72	2	113,45	-	8	34,0	30,5	-	40,0	9,5	50,0	0,53	PHP 72-5M-25RSB
		127,32	80	1	126,18	-	8	62,0	30,5	-	40,0	-	92,0	0,60	PHP 80-5M-25RSB
		50,93	20	1F	49,56	60,0	12	25,0	28,0	-	38,0	-	38,0	0,43	PHP 20-8M-20RSB
		53,47	21	1F	52,10	62,0	12	27,0	28,0	-	38,0	-	40,0	0,49	PHP 21-8M-20RSB
		56,02	22	1F	54,65	65,0	12	29,0	28,0	-	38,0	-	43,0	0,54	PHP 22-8M-20RSB
8	20	58,57	23	1F	57,20	65,0	12	29,0	28,0	-	38,0	-	45,0	0,60	PHP 23-8M-20RSB
		61,12	24	1F	59,75	70,0	12	30,0	28,0	-	38,0	-	45,0	0,65	PHP 24-8M-20RSB
		63,66	25	1F	62,28	71,0	12	31,0	28,0	-	38,0	-	45,0	0,73	PHP 25-8M-20RSB
		66,21	26	1F	64,84	75,0	12	32,0	28,0	-	38,0	-	50,0	0,80	PHP 26-8M-20RSB
		68,75	27	1F	67,39	75,0	12	33,0	28,0	-	38,0	-	50,0	0,84	PHP 27-8M-20RSB
		71,30	28	1F	70,08	80,0	15	34,0	28,0	-	38,0	-	50,0	0,87	PHP 28-8M-20RSB
	25	73,85	29	1F	72,62	85,0	15	35,0	28,0	-	38,0	-	55,0	0,95	PHP 29-8M-20RSB

**HiTD pulleys**  
8 mm pitch pilot bore (RSB)

Pitch	Belt width	Pitch diameter PD	Number of teeth	Pulley type	Dimensions								Mass	Designation			
					Outer diameter OD	A	B Min.	Max.	F	K	L	M			H		
mm			-	-	mm								kg	-			
8	20	76,39	30	1F	75,13	85,0	15	36,0	28,0	-	38,0	-	55,0	1,02	PHP 30-8M-20RSB		
		78,94	31	1F	77,65	87,0	15	38,0	28,0	-	38,0	-	55,0	1,11	PHP 31-8M-20RSB		
		81,49	32	1F	80,16	90,0	15	40,0	28,0	-	38,0	-	60,0	1,20	PHP 32-8M-20RSB		
		84,03	33	1F	82,68	90,0	15	42,0	28,0	-	38,0	-	60,0	1,30	PHP 33-8M-20RSB		
		86,58	34	1F	85,22	95,0	15	44,0	28,0	-	38,0	-	70,0	1,40	PHP 34-8M-20RSB		
		89,13	35	1F	87,76	95,0	15	45,0	28,0	-	38,0	-	70,0	1,48	PHP 35-8M-20RSB		
		91,67	36	1F	90,30	100,0	15	46,0	28,0	-	38,0	-	70,0	1,55	PHP 36-8M-20RSB		
		96,77	38	1F	95,39	105,0	15	50,0	28,0	-	38,0	-	75,0	1,65	PHP 38-8M-20RSB		
		101,86	40	1F	100,49	110,0	15	50,0	28,0	-	38,0	-	75,0	1,74	PHP 40-8M-20RSB		
		106,95	42	1F	105,58	111,0	15	50,0	28,0	-	38,0	-	75,0	1,92	PHP 42-8M-20RSB		
		112,05	44	1F	110,67	121,0	15	50,0	28,0	-	38,0	-	75,0	2,10	PHP 44-8M-20RSB		
		114,59	45	1F	113,22	121,0	15	50,0	28,0	-	38,0	-	75,0	2,19	PHP 45-8M-20RSB		
		122,23	48	1F	120,86	131,0	15	54,0	28,0	-	38,0	-	75,0	2,44	PHP 48-8M-20RSB		
		127,32	50	1F	125,95	131,0	15	54,0	28,0	-	38,0	-	75,0	2,48	PHP 50-8M-20RSB		
		132,42	52	1F	131,05	140,0	15	54,0	28,0	-	38,0	-	80,0	2,52	PHP 52-8M-20RSB		
		142,60	56	2F	141,23	151,0	15	54,0	28,0	-	38,0	-	80,0	2,60	PHP 56-8M-20RSB		
		162,97	64	2F	161,60	172,0	15	54,0	28,0	-	38,0	-	80,0	2,90	PHP 64-8M-20RSB		
		183,35	72	2F	181,97	192,0	15	54,0	28,0	-	38,0	-	80,0	3,10	PHP 72-8M-20RSB		
		203,72	80	2	202,35	-	15	54,0	28,0	-	38,0	-	90,0	3,80	PHP 80-8M-20RSB		
		229,18	90	2	227,81	-	15	54,0	28,0	-	38,0	-	90,0	4,20	PHP 90-8M-20RSB		
		285,21	112	5	283,83	-	18	54,0	28,0	-	38,0	-	90,0	5,20	PHP 112-8M-20RSB		
		366,69	144	5	365,32	-	20	54,0	28,0	-	38,0	-	90,0	7,50	PHP 144-8M-20RSB		
		427,81	168	5	426,44	-	20	60,0	28,0	-	38,0	-	100,0	10,00	PHP 168-8M-20RSB		
		488,92	192	5	487,55	-	20	60,0	28,0	-	38,0	-	100,0	14,40	PHP 192-8M-20RSB		
		8	30	50,93	20	1F	49,56	60,0	12	25,0	38,0	-	48,0	-	38,0	0,54	PHP 20-8M-30RSB
				53,47	21	1F	52,10	62,0	12	27,0	38,0	-	48,0	-	40,0	0,62	PHP 21-8M-30RSB
				56,02	22	1F	54,65	65,0	12	29,0	38,0	-	48,0	-	43,0	0,69	PHP 22-8M-30RSB
				57,57	23	1F	57,20	65,0	12	30,0	38,0	-	48,0	-	45,0	0,77	PHP 23-8M-30RSB
				61,12	24	1F	59,75	70,0	12	30,0	38,0	-	48,0	-	45,0	0,84	PHP 24-8M-30RSB
				63,66	25	1F	62,28	71,0	12	31,0	38,0	-	48,0	-	50,0	0,92	PHP 25-8M-30RSB
				66,21	26	1F	64,84	75,0	12	32,0	38,0	-	48,0	-	50,0	1,00	PHP 26-8M-30RSB
				68,75	27	1F	67,39	75,0	12	33,0	38,0	-	48,0	-	50,0	1,06	PHP 27-8M-30RSB
				71,30	28	1F	70,08	80,0	15	34,0	38,0	-	48,0	-	50,0	1,12	PHP 28-8M-30RSB
				76,39	30	1F	75,13	85,0	15	36,0	38,0	-	48,0	-	55,0	1,32	PHP 30-8M-30RSB
				78,94	31	1F	77,65	87,0	15	38,0	38,0	-	48,0	-	55,0	1,42	PHP 31-8M-30RSB
				81,49	32	1F	80,16	90,0	15	40,0	38,0	-	48,0	-	60,0	1,53	PHP 32-8M-30RSB
				84,03	33	1F	82,68	90,0	15	42,0	38,0	-	48,0	-	60,0	1,64	PHP 33-8M-30RSB
				86,58	34	1F	85,22	95,0	15	44,0	38,0	-	48,0	-	70,0	1,80	PHP 34-8M-30RSB
89,13	35			1F	87,76	95,0	15	45,0	38,0	-	48,0	-	70,0	1,90	PHP 35-8M-30RSB		
91,67	36			1F	90,30	100,0	15	46,0	38,0	-	48,0	-	70,0	1,99	PHP 36-8M-30RSB		
96,77	38			1F	95,39	105,0	15	50,0	38,0	-	48,0	-	75,0	2,27	PHP 38-8M-30RSB		
101,86	40			1F	100,49	110,0	15	50,0	38,0	-	48,0	-	75,0	2,40	PHP 40-8M-30RSB		
106,95	42			1F	105,58	111,0	15	50,0	38,0	-	48,0	-	75,0	2,60	PHP 42-8M-30RSB		
112,05	44			1F	110,67	121,0	15	50,0	38,0	-	48,0	-	75,0	2,80	PHP 44-8M-30RSB		
114,59	45			1F	113,22	121,0	15	50,0	38,0	-	48,0	-	75,0	2,90	PHP 45-8M-30RSB		
122,23	48			1F	120,86	131,0	15	50,0	38,0	-	48,0	-	75,0	3,20	PHP 48-8M-30RSB		
127,32	50			1F	125,95	131,0	15	50,0	38,0	-	48,0	-	75,0	3,30	PHP 50-8M-30RSB		
132,42	52			1F	131,05	140,0	15	60,0	38,0	-	48,0	-	90,0	3,40	PHP 52-8M-30RSB		
142,60	56			2F	141,23	151,0	15	60,0	38,0	-	48,0	-	90,0	3,60	PHP 56-8M-30RSB		
152,79	60			2F	151,42	168,0	15	60,0	38,0	-	48,0	-	90,0	3,95	PHP 60-8M-30RSB		
162,97	64			2F	161,60	172,0	15	60,0	38,0	-	48,0	-	90,0	4,30	PHP 64-8M-30RSB		
183,35	72			2F	181,97	192,0	15	63,0	38,0	-	48,0	-	95,0	4,80	PHP 72-8M-30RSB		
203,72	80			2	202,35	-	15	60,0	38,0	-	48,0	-	100,0	5,10	PHP 80-8M-30RSB		
229,18	90			2	227,81	-	15	60,0	38,0	-	48,0	-	100,0	5,70	PHP 90-8M-30RSB		
285,21	112			5	283,83	-	18	60,0	38,0	-	48,0	-	100,0	6,80	PHP 112-8M-30RSB		
366,69	144			5	365,32	-	20	60,0	38,0	-	48,0	-	100,0	9,30	PHP 144-8M-30RSB		
427,81	168			5	426,44	-	20	60,0	38,0	-	48,0	-	100,0	11,40	PHP 168-8M-30RSB		
488,92	192			5	487,55	-	20	60,0	38,0	-	48,0	-	100,0	16,00	PHP 192-8M-30RSB		
8	50			56,02	22	1F	54,65	65,0	12	29,0	60,0	-	70,0	-	43,0	1,00	PHP 22-8M-50RSB
				58,57	23	1F	57,20	65,0	12	30,0	60,0	-	70,0	-	45,0	1,12	PHP 23-8M-50RSB
				61,12	24	1F	59,75	70,0	12	30,0	60,0	-	70,0	-	45,0	1,23	PHP 24-8M-50RSB
				63,66	25	1F	62,28	70,0	12	34,0	60,0	-	70,0	-	50,0	1,37	PHP 25-8M-50RSB
		66,21	26	1F	64,84	75,0	12	34,0	60,0	-	70,0	-	50,0	1,50	PHP 26-8M-50RSB		
		68,75	27	1F	67,39	75,0	15	34,0	60,0	-	70,0	-	50,0	1,59	PHP 27-8M-50RSB		
		71,30	28	1F	70,08	80,0	15	34,0	60,0	-	70,0	-	50,0	1,67	PHP 28-8M-50RSB		
		76,39	30	1F	75,13	85,0	15	38,0	60,0	-	70,0	-	55,0	1,97	PHP 30-8M-50RSB		
		78,94	31	1F	77,65	87,0	15	38,0	60,0	-	70,0	-	55,0	2,12	PHP 31-8M-50RSB		
		81,49	32	1F	80,16	90,0	15	40,0	60,0	-	70,0	-	60,0	2,27	PHP 32-8M-50RSB		
		84,03	33	1F	82,68	90,0	15	42,0	60,0	-	70,0	-	60,0	2,42	PHP 33-8M-50RSB		
		86,58	34	1F	85,22	95,0	15	44,0	60,0	-	70,0	-	70,0	2,69	PHP 34-8M-50RSB		
		89,13	35	1F	87,76	95,0	15	45,0	60,0	-	70,0	-	70,0	2,83	PHP 35-8M-50RSB		
		91,67	36	1F	90,30	100,0	15	46,0	60,0	-	70,0	-	70,0	2,97	PHP 36-8M-50RSB		
		96,77	38	1F	95,39	105,0	15	50,0	60,0	-	70,0	-	75,0	3,23	PHP 38-8M-50RSB		

# HiTD pulleys

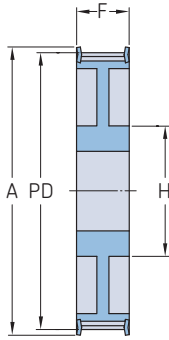
8 mm pitch pilot bore (RSB) | 14 mm pitch pilot bore (RSB)



Pitch	Belt width	Pitch diameter PD	Number of teeth	Pulley type	Dimensions									Mass	Designation		
					Outer diameter OD	A	B Min.	Max.	F	K	L	M	H				
mm			-	-	mm									kg	-		
8	50	101,86	40	1F	100,49	110,0	18	50,0	60,0	-	70,0	-	75,0	3,50	PHP 40-8M-50RSB		
		104,41	42	1F	103,03	111,0	18	50,0	60,0	-	70,0	-	75,0	3,70	PHP 42-8M-50RSB		
		112,05	44	1F	110,67	121,0	18	50,0	60,0	-	70,0	-	75,0	3,90	PHP 44-8M-50RSB		
		114,59	45	1F	113,22	121,0	18	50,0	60,0	-	70,0	-	75,0	4,00	PHP 45-8M-50RSB		
		122,23	48	1F	120,86	131,0	18	54,0	60,0	-	70,0	-	80,0	4,30	PHP 48-8M-50RSB		
		124,78	50	1F	123,41	131,0	18	54,0	60,0	-	70,0	-	80,0	4,48	PHP 50-8M-50RSB		
		127,32	52	1F	125,95	140,0	18	60,0	60,0	-	70,0	-	90,0	4,65	PHP 52-8M-50RSB		
		142,60	56	7F	141,23	151,0	18	60,0	60,0	-	60,0	-	90,0	5,00	PHP 56-8M-50RSB		
		152,79	60	7F	151,42	158,0	18	60,0	60,0	-	60,0	-	90,0	5,30	PHP 60-8M-50RSB		
		162,97	64	7F	161,60	171,0	18	60,0	60,0	-	60,0	-	100,0	5,60	PHP 64-8M-50RSB		
		183,35	72	7F	181,97	192,0	18	63,0	60,0	-	60,0	-	100,0	6,80	PHP 72-8M-50RSB		
		203,72	80	7	202,35	-	18	60,0	60,0	-	60,0	-	110,0	6,90	PHP 80-8M-50RSB		
		229,18	90	7	227,81	-	18	60,0	60,0	-	60,0	-	110,0	8,60	PHP 90-8M-50RSB		
		285,21	112	3	283,83	-	20	60,0	60,0	-	60,0	-	110,0	9,60	PHP 112-8M-50RSB		
		366,69	144	3	365,32	-	20	60,0	60,0	-	60,0	-	110,0	13,80	PHP 144-8M-50RSB		
		427,81	168	3	426,44	-	20	60,0	60,0	-	60,0	-	120,0	16,00	PHP 168-8M-50RSB		
		488,92	192	3	487,55	-	20	60,0	60,0	-	60,0	-	130,0	22,40	PHP 192-8M-50RSB		
		8	85	56,02	22	1F	54,65	65,0	12	29,0	95,0	-	105,0	-	43,0	1,55	PHP 22-8M-85RSB
				58,57	23	1F	57,20	65,0	12	30,0	95,0	-	105,0	-	45,0	1,73	PHP 23-8M-85RSB
				61,12	24	1F	59,75	70,0	12	30,0	95,0	-	105,0	-	45,0	1,90	PHP 24-8M-85RSB
63,66	25			1F	62,28	70,0	12	34,0	95,0	-	105,0	-	50,0	2,08	PHP 25-8M-85RSB		
66,21	26			1F	64,84	75,0	12	34,0	95,0	-	105,0	-	50,0	2,25	PHP 26-8M-85RSB		
68,75	27			1F	67,39	75,0	12	34,0	95,0	-	105,0	-	50,0	2,40	PHP 27-8M-85RSB		
71,30	28			1F	70,08	80,0	15	34,0	95,0	-	105,0	-	50,0	2,55	PHP 28-8M-85RSB		
76,39	30			1F	75,13	85,0	15	35,0	95,0	-	105,0	-	55,0	3,00	PHP 30-8M-85RSB		
78,94	31			1F	77,65	87,0	15	38,0	95,0	-	105,0	-	55,0	3,23	PHP 31-8M-85RSB		
81,49	32			1F	80,16	90,0	15	42,0	95,0	-	105,0	-	60,0	3,57	PHP 32-8M-85RSB		
84,03	33			1F	82,68	90,0	15	44,0	95,0	-	105,0	-	60,0	3,75	PHP 33-8M-85RSB		
86,58	34			1F	85,22	95,0	15	44,0	95,0	-	105,0	-	70,0	4,00	PHP 34-8M-85RSB		
89,13	35			1F	87,76	95,0	15	44,0	95,0	-	105,0	-	70,0	4,25	PHP 35-8M-85RSB		
91,67	36			1F	90,30	100,0	15	44,0	95,0	-	105,0	-	70,0	4,50	PHP 36-8M-85RSB		
96,77	38			1F	95,39	106,0	15	50,0	95,0	-	105,0	-	75,0	4,90	PHP 38-8M-85RSB		
101,86	40			1F	100,49	110,0	18	50,0	95,0	-	105,0	-	75,0	5,20	PHP 40-8M-85RSB		
106,95	42			1F	105,58	110,0	18	50,0	95,0	-	105,0	-	75,0	6,08	PHP 42-8M-85RSB		
112,05	44			1F	110,67	121,0	18	50,0	95,0	-	105,0	-	75,0	6,60	PHP 44-8M-85RSB		
114,59	45			1F	113,22	121,0	18	50,0	95,0	-	105,0	-	75,0	6,85	PHP 45-8M-85RSB		
122,23	48			1F	120,86	131,0	18	54,0	95,0	-	105,0	-	80,0	7,60	PHP 48-8M-85RSB		
127,32	50	1F	125,95	131,0	20	54,0	95,0	-	105,0	-	80,0	8,15	PHP 50-8M-85RSB				
132,42	52	1F	131,05	140,0	20	54,0	95,0	-	105,0	-	80,0	8,70	PHP 52-8M-85RSB				
142,60	56	1F	141,23	151,0	20	54,0	95,0	-	105,0	-	80,0	9,80	PHP 56-8M-85RSB				
152,79	60	7F	151,42	158,0	20	66,0	95,0	-	95,0	-	100,0	10,10	PHP 60-8M-85RSB				
162,97	64	7F	161,60	171,0	20	66,0	95,0	-	95,0	-	100,0	10,40	PHP 64-8M-85RSB				
183,35	72	7F	181,97	192,0	20	66,0	95,0	-	95,0	-	110,0	11,40	PHP 72-8M-85RSB				
203,72	80	3	202,35	-	20	66,0	95,0	-	95,0	-	110,0	11,10	PHP 80-8M-85RSB				
229,18	90	3	227,81	-	20	66,0	95,0	-	95,0	-	110,0	13,20	PHP 90-8M-85RSB				
285,21	112	3	283,83	-	24	66,0	95,0	-	95,0	-	110,0	16,30	PHP 112-8M-85RSB				
366,69	144	3	365,32	-	24	72,0	95,0	-	95,0	-	120,0	21,50	PHP 144-8M-85RSB				
427,81	168	3	426,44	-	24	72,0	95,0	-	95,0	-	120,0	26,10	PHP 168-8M-85RSB				
488,92	192	3	487,55	-	24	78,0	95,0	-	95,0	-	130,0	30,60	PHP 192-8M-85RSB				
14	40	124,78	28	1F	122,12	127,0	24	67,0	54,0	-	69,0	-	100,0	4,73	PHP 28-14M-40RSB		
		129,23	29	1F	126,57	138,0	24	67,0	54,0	-	69,0	-	100,0	5,09	PHP 29-14M-40RSB		
		133,69	30	1F	130,99	138,0	24	67,0	54,0	-	69,0	-	100,0	5,45	PHP 30-14M-40RSB		
		142,60	32	1F	139,88	154,0	24	67,0	54,0	-	69,0	-	100,0	6,17	PHP 32-14M-40RSB		

# HiTD pulleys

14 mm pitch pilot bore (RSB)

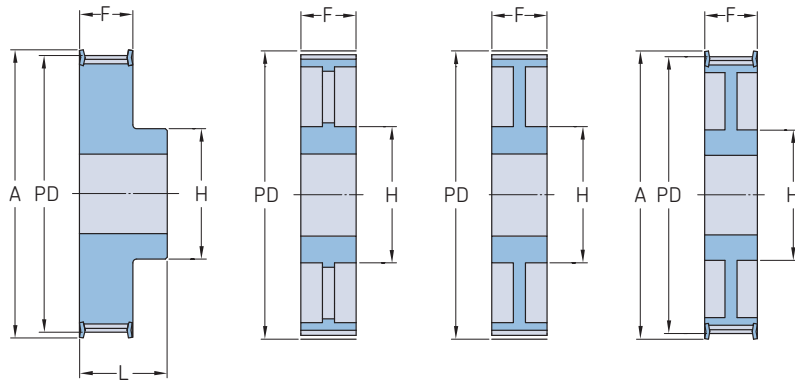


Type 7F

Pitch	Belt width	Pitch diameter PD	Number of teeth	Pulley type	Dimensions									Mass	Designation	
					Outer diameter OD	A	B Min.	Max.	F	K	L	M	H			
mm			-	-	mm									kg	-	
14	40	151,52	34	1F	148,79	160,0	24	67,0	54,0	-	69,0	-	100,0	6,88	PHP 34-14M-40RSB	
		160,43	36	1F	157,68	168,0	24	67,0	54,0	-	69,0	-	100,0	7,60	PHP 36-14M-40RSB	
		169,34	38	1F	166,60	183,0	24	80,0	54,0	-	69,0	-	120,0	8,28	PHP 38-14M-40RSB	
		178,25	40	1F	175,49	188,0	24	80,0	54,0	-	69,0	-	120,0	9,26	PHP 40-14M-40RSB	
		196,08	44	1F	193,28	211,0	24	80,0	54,0	-	69,0	-	120,0	10,32	PHP 44-14M-40RSB	
		213,90	48	2F	211,11	226,0	24	82,0	54,0	-	69,0	-	135,0	11,50	PHP 48-14M-40RSB	
		249,55	56	2F	246,76	256,0	28	82,0	54,0	-	69,0	-	135,0	13,05	PHP 56-14M-40RSB	
		285,21	64	2F	282,41	296,0	28	82,0	54,0	-	69,0	-	135,0	14,40	PHP 64-14M-40RSB	
		320,86	72	5	318,06	-	28	82,0	54,0	-	69,0	-	135,0	16,90	PHP 72-14M-40RSB	
		356,51	80	5	353,71	-	28	82,0	54,0	-	69,0	-	135,0	18,50	PHP 80-14M-40RSB	
	401,07	90	5	398,28	-	28	82,0	54,0	-	69,0	-	135,0	20,00	PHP 90-14M-40RSB		
	499,11	112	5	496,32	-	28	82,0	54,0	-	69,0	-	135,0	26,70	PHP 112-14M-40RSB		
	641,71	144	5	638,92	-	28	82,0	54,0	-	69,0	-	135,0	35,00	PHP 144-14M-40RSB		
	748,66	168	5	745,87	-	28	82,0	54,0	-	69,0	-	135,0	44,20	PHP 168-14M-40RSB		
	855,92	192	5	852,82	-	28	82,0	54,0	-	69,0	-	135,0	52,20	PHP 192-14M-40RSB		
	962,57	216	5	959,76	-	28	90,0	54,0	-	69,0	-	150,0	60,00	PHP 216-14M-40RSB		
	14	55	124,78	28	1F	122,12	127,0	24	67,0	70,0	-	85,0	-	100,0	5,60	PHP 28-14M-55RSB
			129,23	29	1F	126,57	138,0	24	67,0	70,0	-	85,0	-	100,0	6,10	PHP 29-14M-55RSB
			133,69	30	1F	130,99	138,0	24	67,0	70,0	-	85,0	-	100,0	6,60	PHP 30-14M-55RSB
			142,60	32	1F	139,88	154,0	24	67,0	70,0	-	85,0	-	100,0	7,60	PHP 32-14M-55RSB
151,52			34	1F	148,79	160,0	24	67,0	70,0	-	85,0	-	100,0	8,60	PHP 34-14M-55RSB	
160,43			36	1F	157,68	168,0	24	67,0	70,0	-	85,0	-	100,0	9,60	PHP 36-14M-55RSB	
169,34			38	1F	166,60	183,0	24	80,0	70,0	-	85,0	-	120,0	10,80	PHP 38-14M-55RSB	
178,25			40	1F	175,49	188,0	24	80,0	70,0	-	85,0	-	120,0	11,20	PHP 40-14M-55RSB	
196,08			44	1F	193,28	211,0	24	80,0	70,0	-	85,0	-	120,0	12,50	PHP 44-14M-55RSB	
213,90			48	7F	211,11	226,0	24	82,0	70,0	-	70,0	-	135,0	13,70	PHP 48-14M-55RSB	
249,55		56	7F	246,76	256,0	28	82,0	70,0	-	70,0	-	135,0	14,50	PHP 56-14M-55RSB		
285,21		64	7F	282,41	296,0	28	82,0	70,0	-	70,0	-	135,0	15,60	PHP 64-14M-55RSB		
320,86		72	3	318,06	-	28	82,0	70,0	-	70,0	-	135,0	18,50	PHP 72-14M-55RSB		
356,51		80	3	353,71	-	28	82,0	70,0	-	70,0	-	135,0	20,00	PHP 80-14M-55RSB		
401,07		90	3	398,28	-	28	82,0	70,0	-	70,0	-	135,0	22,60	PHP 90-14M-55RSB		
499,11		112	3	496,32	-	28	82,0	70,0	-	70,0	-	135,0	29,50	PHP 112-14M-55RSB		
641,71		144	3	638,92	-	28	82,0	70,0	-	70,0	-	135,0	39,00	PHP 144-14M-55RSB		
748,66		168	3	745,87	-	28	82,0	70,0	-	70,0	-	135,0	48,50	PHP 168-14M-55RSB		
855,92		192	3	852,82	-	28	82,0	70,0	-	70,0	-	135,0	57,80	PHP 192-14M-55RSB		
962,57		216	3	959,76	-	28	82,0	70,0	-	70,0	-	150,0	67,00	PHP 216-14M-55RSB		
14	85	124,78	28	1F	122,12	127,0	24	67,0	102,0	-	117,0	-	100,0	7,70	PHP 28-14M-85RSB	
		129,23	29	1F	126,57	138,0	24	67,0	102,0	-	117,0	-	100,0	8,40	PHP 29-14M-85RSB	
		133,69	30	1F	130,99	138,0	24	67,0	102,0	-	117,0	-	100,0	9,10	PHP 30-14M-85RSB	
		142,60	32	1F	139,88	154,0	24	67,0	102,0	-	117,0	-	100,0	10,50	PHP 32-14M-85RSB	
		151,52	34	1F	148,79	160,0	24	67,0	102,0	-	117,0	-	100,0	11,90	PHP 34-14M-85RSB	
		160,43	36	1F	157,68	168,0	32	67,0	102,0	-	117,0	-	100,0	13,20	PHP 36-14M-85RSB	
		169,34	38	1F	166,60	183,0	32	80,0	102,0	-	117,0	-	120,0	15,15	PHP 38-14M-85RSB	
		178,25	40	1F	175,49	188,0	32	90,0	102,0	-	117,0	-	135,0	17,10	PHP 40-14M-85RSB	
		196,08	44	1F	193,28	211,0	32	90,0	102,0	-	117,0	-	135,0	23,30	PHP 44-14M-85RSB	
		213,90	48	1F	211,11	226,0	32	100,0	102,0	-	117,0	-	150,0	25,00	PHP 48-14M-85RSB	
	249,55	56	7F	246,76	256,0	32	90,0	102,0	-	102,0	-	150,0	25,00	PHP 56-14M-85RSB		
	285,21	64	7F	282,41	296,0	32	90,0	102,0	-	102,0	-	150,0	28,20	PHP 64-14M-85RSB		
	320,86	72	3	318,06	-	32	90,0	102,0	-	102,0	-	150,0	28,80	PHP 72-14M-85RSB		
	356,51	80	3	353,71	-	32	90,0	102,0	-	102,0	-	150,0	30,10	PHP 80-14M-85RSB		
	401,07	90	3	398,28	-	32	90,0	102,0	-	102,0	-	150,0	33,00	PHP 90-14M-85RSB		
	499,11	112	3	496,32	-	32	90,0	102,0	-	102,0	-	150,0	41,80	PHP 112-14M-85RSB		
	641,71	144	3	638,92	-	32	90,0	102,0	-	102,0	-	150,0	52,40	PHP 144-14M-85RSB		

# HiTD pulleys

14 mm pitch pilot bore (RSB)



Type 1F

Type 3

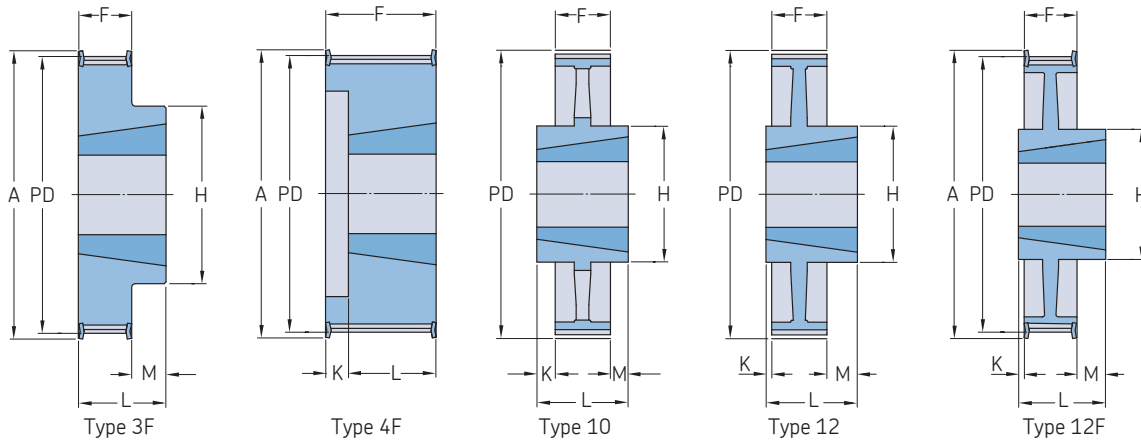
Type 7

Type 7F

Pitch	Belt width	Pitch diameter PD	Number of teeth	Pulley type	Dimensions									Mass	Designation
					Outer diameter OD	A	B Min.	Max.	F	K	L	M	H		
mm			-	-	mm									kg	-
14	85	748,66	168	3	745,87	-	32	90,0	102,0	-	102,0	-	150,0	60,30	PHP 168-14M-85RSB
		855,62	192	3	852,82	-	32	100,0	102,0	-	102,0	-	165,0	70,20	PHP 192-14M-85RSB
		962,57	216	3	959,76	-	32	100,0	102,0	-	102,0	-	165,0	81,00	PHP 216-14M-85RSB
14	115	124,78	28	1F	122,12	127,0	32	67,0	133,0	-	148,0	-	100,0	9,20	PHP 28-14M-115RSB
		129,23	29	1F	126,57	138,0	32	67,0	133,0	-	148,0	-	100,0	10,20	PHP 29-14M-115RSB
		133,69	30	1F	130,99	138,0	32	67,0	133,0	-	148,0	-	100,0	11,20	PHP 30-14M-115RSB
		142,60	32	1F	139,88	154,0	32	67,0	133,0	-	148,0	-	100,0	13,20	PHP 32-14M-115RSB
		151,52	34	1F	148,79	160,0	32	67,0	133,0	-	148,0	-	100,0	14,80	PHP 34-14M-115RSB
		160,43	36	1F	157,68	168,0	32	80,0	133,0	-	148,0	-	120,0	16,60	PHP 36-14M-115RSB
		169,34	38	1F	166,60	183,0	32	80,0	133,0	-	148,0	-	120,0	19,20	PHP 38-14M-115RSB
		178,25	40	1F	175,49	188,0	32	90,0	133,0	-	148,0	-	135,0	20,56	PHP 40-14M-115RSB
		196,08	44	1F	193,28	211,0	32	94,0	133,0	-	148,0	-	140,0	26,00	PHP 44-14M-115RSB
		213,90	48	1F	211,11	226,0	32	100,0	133,0	-	148,0	-	150,0	30,00	PHP 48-14M-115RSB
		249,55	56	1F	246,76	256,0	32	100,0	133,0	-	148,0	-	150,0	36,00	PHP 56-14M-115RSB
		285,21	64	7F	282,41	296,0	32	90,0	133,0	-	133,0	-	150,0	39,00	PHP 64-14M-115RSB
		320,86	72	3	318,06	-	32	90,0	133,0	-	133,0	-	150,0	32,83	PHP 72-14M-115RSB
		356,51	80	3	353,71	-	32	90,0	133,0	-	133,0	-	150,0	35,55	PHP 80-14M-115RSB
		401,07	90	3	398,28	-	32	90,0	133,0	-	133,0	-	150,0	41,00	PHP 90-14M-115RSB
		499,11	112	3	496,32	-	32	90,0	133,0	-	133,0	-	150,0	54,40	PHP 112-14M-115RSB
		641,71	144	3	638,92	-	32	100,0	133,0	-	133,0	-	165,0	67,80	PHP 144-14M-115RSB
		748,66	168	3	745,87	-	32	100,0	133,0	-	133,0	-	165,0	75,80	PHP 168-14M-115RSB
		855,62	192	3	852,82	-	32	100,0	133,0	-	133,0	-	165,0	90,30	PHP 192-14M-115RSB
		962,57	216	3	959,76	-	32	100,0	133,0	-	133,0	-	165,0	105,00	PHP 216-14M-115RSB
14	170	124,78	28	1F	122,12	127,0	32	67,0	187,0	-	202,0	-	100,0	13,80	PHP 28-14M-170RSB
		129,23	29	1F	126,57	138,0	32	67,0	187,0	-	202,0	-	100,0	14,20	PHP 29-14M-170RSB
		133,69	30	1F	130,99	138,0	32	67,0	187,0	-	202,0	-	100,0	15,60	PHP 30-14M-170RSB
		142,60	32	1F	139,88	154,0	32	67,0	187,0	-	202,0	-	100,0	18,10	PHP 32-14M-170RSB
		151,52	34	1F	148,79	160,0	32	67,0	187,0	-	202,0	-	100,0	20,40	PHP 34-14M-170RSB
		160,43	36	1F	157,68	168,0	32	80,0	187,0	-	202,0	-	120,0	23,50	PHP 36-14M-170RSB
		169,34	38	1F	166,60	183,0	32	90,0	187,0	-	202,0	-	135,0	26,50	PHP 38-14M-170RSB
		178,25	40	1F	175,49	188,0	32	94,0	187,0	-	202,0	-	140,0	30,10	PHP 40-14M-170RSB
		196,08	44	1F	193,28	211,0	32	100,0	187,0	-	202,0	-	160,0	37,80	PHP 44-14M-170RSB
		213,90	48	1F	211,11	226,0	32	107,0	187,0	-	202,0	-	160,0	44,50	PHP 48-14M-170RSB
		249,55	56	1F	246,76	256,0	32	110,0	187,0	-	202,0	-	160,0	61,00	PHP 56-14M-170RSB
		285,21	64	1F	282,41	296,0	32	120,0	187,0	-	202,0	-	180,0	81,00	PHP 64-14M-170RSB
		320,86	72	7	318,06	-	32	120,0	187,0	-	187,0	-	180,0	61,40	PHP 72-14M-170RSB
		356,51	80	7	353,71	-	32	108,0	187,0	-	187,0	-	180,0	65,00	PHP 80-14M-170RSB
		401,07	90	3	398,28	-	38	108,0	187,0	-	187,0	-	180,0	68,00	PHP 90-14M-170RSB
		499,11	112	3	496,32	-	38	108,0	187,0	-	187,0	-	200,0	87,50	PHP 112-14M-170RSB
		641,71	144	3	638,92	-	38	108,0	187,0	-	187,0	-	220,0	114,80	PHP 144-14M-170RSB
		748,66	168	3	745,87	-	38	108,0	187,0	-	187,0	-	220,0	125,00	PHP 168-14M-170RSB
		855,62	192	3	852,82	-	38	108,0	187,0	-	187,0	-	220,0	136,40	PHP 192-14M-170RSB
		962,57	216	3	959,76	-	38	108,0	187,0	-	187,0	-	220,0	147,00	PHP 216-14M-170RSB

# HiTD pulleys

5 mm pitch taper bushed | 8 mm pitch taper bushed

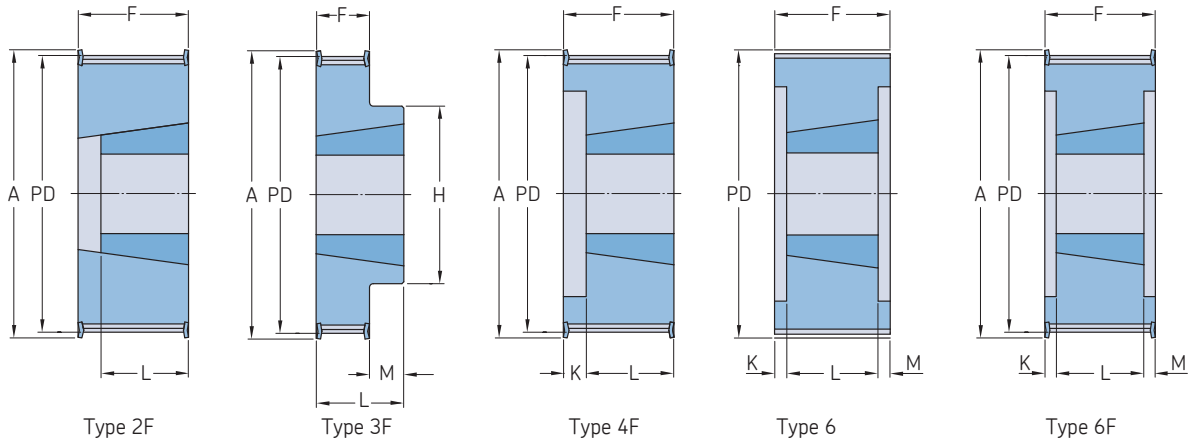


Pitch	Belt width	Pitch diameter PD	Number of teeth	Pulley type	Bushing number	Dimensions								Mass <sup>1)</sup>	Designation			
						Outer diameter OD	A	B Min.	Max.	F	K	L	M			H		
mm			-	-	-	mm								kg	-			
5	15	54,11	34	3F	1008	52,97	58	9	25,0	20,5	-	22,0	1,5	43	0,19	PHP 34-5M-15TB		
		57,30	36	3F	1108	56,16	61	9	28,0	20,5	-	22,0	1,5	45	0,20	PHP 36-5M-15TB		
		60,48	38	3F	1108	59,34	65	9	28,0	20,5	-	22,0	1,5	48	0,25	PHP 38-5M-15TB		
		63,66	40	3F	1108	62,52	68	9	28,0	20,5	-	22,0	1,5	52	0,31	PHP 40-5M-15TB		
		70,03	44	3F	1108	68,89	74	9	28,0	20,5	-	22,0	1,5	54	0,40	PHP 44-5M-15TB		
		76,39	48	3F	1210	75,25	80	11	32,0	20,5	-	25,0	4,5	64	0,45	PHP 48-5M-15TB		
		89,13	56	3F	1210	87,99	93	11	32,0	20,5	-	25,0	4,5	70	0,67	PHP 56-5M-15TB		
		101,86	64	3F	1210	100,72	106	11	32,0	20,5	-	25,0	4,5	78	0,96	PHP 64-5M-15TB		
		114,59	72	3F	1610	113,45	118	14	42,0	20,5	-	25,0	4,5	90	1,19	PHP 72-5M-15TB		
		127,32	80	3F	1610	126,18	135	14	42,0	20,5	-	25,0	4,5	92	1,57	PHP 80-5M-15TB		
		143,24	90	10	1610	142,10	-	14	42,0	20,5	2,3	25,0	2,3	92	1,47	PHP 90-5M-15TB		
		178,25	112	10	1610	177,11	-	14	42,0	20,5	2,3	25,0	2,3	92	1,94	PHP 112-5M-15TB		
		216,45	136	10	2012	215,31	-	14	50,0	20,5	5,8	32,0	5,8	106	3,06	PHP 136-5M-15TB		
		238,73	150	10	2012	237,51	-	14	50,0	20,5	5,8	32,0	5,8	106	4,50	PHP 144-5M-15TB		
		8	20	56,02	22	4F	1008	54,65	65	9	25,0	28,0	6,0	22,0	-	-	0,24	PHP 22-8M-20TB
				61,12	24	4F	1108	59,75	70	9	28,0	28,0	6,0	22,0	-	-	0,30	PHP 24-8M-20TB
				66,21	26	4F	1108	64,84	75	9	28,0	28,0	6,0	22,0	-	-	0,36	PHP 26-8M-20TB
				71,30	28	4F	1108	70,08	80	9	28,0	28,0	6,0	22,0	-	-	0,44	PHP 28-8M-20TB
76,39	30			4F	1108	75,13	85	11	28,0	28,0	6,0	22,0	-	-	0,45	PHP 30-8M-20TB		
81,49	32			4F	1610	80,16	90	11	42,0	28,0	3,0	25,0	-	-	0,50	PHP 32-8M-20TB		
86,58	34			4F	1610	85,22	95	14	42,0	28,0	3,0	25,0	-	-	0,55	PHP 34-8M-20TB		
91,67	36			4F	1610	90,30	100	14	42,0	28,0	3,0	25,0	-	-	0,68	PHP 36-8M-20TB		
96,77	38			4F	1610	95,39	106	14	42,0	28,0	3,0	25,0	-	-	0,80	PHP 38-8M-20TB		
101,86	40			4F	1610	100,49	110	14	42,0	28,0	3,0	25,0	-	-	1,00	PHP 40-8M-20TB		
106,95	42			4F	1610	105,58	110	14	42,0	28,0	3,0	25,0	-	-	1,11	PHP 42-8M-20TB		
112,05	44			3F	2012	110,67	121	14	50,0	28,0	-	32,0	4,0	92	1,20	PHP 44-8M-20TB		
122,23	48			3F	2012	120,86	131	14	50,0	28,0	-	32,0	4,0	96	1,60	PHP 48-8M-20TB		
142,60	56			3F	2012	141,23	151	14	50,0	28,0	-	32,0	4,0	110	2,40	PHP 56-8M-20TB		
152,79	60			3F	2012	151,42	162	14	50,0	28,0	-	32,0	4,0	110	2,55	PHP 60-8M-20TB		
162,97	64			12F	2012	161,60	171	14	50,0	28,0	-	32,0	4,0	110	2,70	PHP 64-8M-20TB		
183,35	72			12F	2012	181,97	192	14	50,0	28,0	-	32,0	4,0	110	3,30	PHP 72-8M-20TB		
203,72	80			12	2012	202,35	-	16	50,0	28,0	-	32,0	4,0	110	3,50	PHP 80-8M-20TB		
229,18	90	12	2012	227,81	-	16	50,0	28,0	-	32,0	4,0	110	3,65	PHP 90-8M-20TB				
8	30	50,93	20	4F	1008	49,56	60	9	25,0	38,0	16,0	22,0	-	-	0,23	PHP 20-8M-30TB		
		53,47	21	4F	1008	52,10	65	9	25,0	38,0	16,0	22,0	-	-	0,26	PHP 21-8M-30TB		
		56,02	22	4F	1008	54,65	65	9	25,0	38,0	16,0	22,0	-	-	0,29	PHP 22-8M-30TB		
		58,57	23	4F	1108	57,20	70	9	28,0	38,0	16,0	22,0	-	-	0,32	PHP 23-8M-30TB		
		61,12	24	4F	1108	59,75	70	9	28,0	38,0	16,0	22,0	-	-	0,38	PHP 24-8M-30TB		
		63,66	25	4F	1108	62,29	75	9	28,0	38,0	16,0	22,0	-	-	0,41	PHP 25-8M-30TB		
		66,21	26	4F	1108	64,84	75	9	28,0	38,0	16,0	22,0	-	-	0,45	PHP 26-8M-30TB		
		68,75	27	4F	1108	67,38	80	9	28,0	38,0	16,0	22,0	-	-	0,49	PHP 27-8M-30TB		
		71,30	28	4F	1210	70,08	80	11	32,0	38,0	16,0	25,0	-	-	0,50	PHP 28-8M-30TB		

<sup>1)</sup> Mass does not include bushings.

# HiTD pulleys

8 mm pitch taper bushed



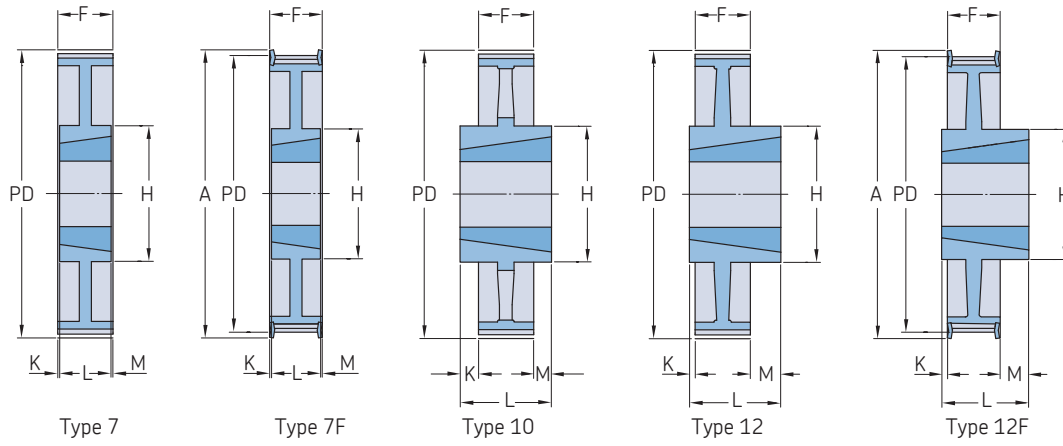
Pitch	Belt width	Pitch diameter PD	Number of teeth	Pulley type	Bushing number	Dimensions								Mass <sup>1)</sup>	Designation	
						Outer diameter OD	A	B Min.	Max.	F	K	L	M			H
mm			-	-	-	mm									kg	-
8	30	76,39	30	2F	1615	75,13	85	11	42,0	38,0	-	38,0	-	-	0,55	PHP 30-8M-30TB
		78,94	31	2F	1615	77,57	90	14	42,0	38,0	-	38,0	-	-	0,57	PHP 31-8M-30TB
		81,49	32	2F	1615	80,16	90	14	42,0	38,0	-	38,0	-	-	0,59	PHP 32-8M-30TB
		84,03	33	2F	1615	82,66	95	14	42,0	38,0	-	38,0	-	-	0,73	PHP 33-8M-30TB
		86,58	34	2F	1615	85,22	95	14	42,0	38,0	-	38,0	-	-	0,77	PHP 34-8M-30TB
		89,13	35	2F	1615	87,75	100	14	42,0	38,0	-	38,0	-	-	0,82	PHP 35-8M-30TB
		91,67	36	2F	1615	90,30	100	14	42,0	38,0	-	38,0	-	-	0,96	PHP 36-8M-30TB
		96,77	38	2F	1615	95,39	106	14	42,0	38,0	-	38,0	-	-	1,15	PHP 38-8M-30TB
		101,86	40	2F	1615	100,49	110	14	42,0	38,0	-	38,0	-	-	1,34	PHP 40-8M-30TB
		106,95	42	2F	1615	105,58	110	14	42,0	38,0	-	38,0	-	-	1,36	PHP 42-8M-30TB
		112,05	44	6F	2012	110,67	121	14	50,0	38,0	6,0	32,0	-	-	1,33	PHP 44-8M-30TB
		114,59	45	6F	2012	113,22	121	14	50,0	38,0	6,0	32,0	-	-	1,62	PHP 45-8M-30TB
		122,23	48	6F	2012	120,86	131	14	50,0	38,0	6,0	32,0	-	-	1,78	PHP 48-8M-30TB
		127,32	50	6F	2012	125,95	136	14	50,0	38,0	3,0	32,0	3,0	-	2,08	PHP 50-8M-30TB
		132,42	52	6F	2012	131,04	141	14	50,0	38,0	3,0	32,0	3,0	-	2,39	PHP 52-8M-30TB
		142,60	56	6F	2012	141,23	151	14	50,0	38,0	6,0	32,0	-	-	3,76	PHP 56-8M-30TB
		147,70	58	6F	2012	146,32	156	14	50,0	38,0	3,0	32,0	3,0	-	3,87	PHP 58-8M-30TB
		152,79	60	6F	2517	151,42	162	16	60,0	38,0	3,0	45,0	3,0	-	3,98	PHP 60-8M-30TB
		162,97	64	3F	2517	161,60	171	16	60,0	38,0	-	45,0	7,0	125	4,20	PHP 64-8M-30TB
		183,35	72	12F	2517	181,97	192	16	60,0	38,0	-	45,0	7,0	125	4,30	PHP 72-8M-30TB
203,72	80	12	2517	202,35	-	16	60,0	38,0	-	45,0	7,0	125	4,60	PHP 80-8M-30TB		
229,18	90	12	2517	227,81	-	16	60,0	38,0	-	45,0	7,0	125	5,00	PHP 90-8M-30TB		
285,21	112	12	2517	283,83	-	16	60,0	38,0	-	45,0	7,0	125	6,20	PHP 112-8M-30TB		
366,69	144	12	2517	365,32	-	16	60,0	38,0	-	45,0	7,0	125	9,00	PHP 144-8M-30TB		
427,81	168	10	3020	426,44	-	25	75,0	38,0	7,0	51,0	7,0	170	15,00	PHP 168-8M-30TB		
488,92	192	10	3525	487,55	-	35	100,0	38,0	14,0	65,0	7,0	198	18,50	PHP 192-8M-30TB		

<sup>1)</sup> Mass does not include bushings.



# HiTD pulleys

8 mm pitch taper bushed

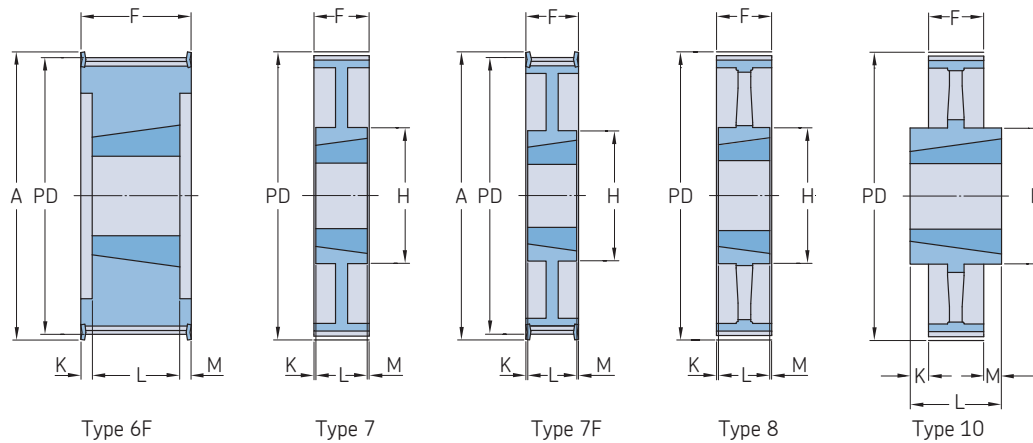


Pitch	Belt width	Pitch diameter PD	Number of teeth	Pulley type	Bushing number	Dimensions		A	B Min.	Max.	F	K	L	M	H	Mass <sup>1)</sup>	Designation
						Outer diameter OD											
mm						mm											
8	50	61,12	24	6F	1108	59,75	70	9	32,0	60,0	19,0	22,0	19,0	-	0,35	PHP 24-8M-50TB	
		66,21	26	6F	1108	64,84	75	9	32,0	60,0	19,0	22,0	19,0	-	0,48	PHP 26-8M-50TB	
		68,75	27	6F	1108	67,38	75	9	32,0	60,0	19,0	22,0	19,0	-	0,55	PHP 27-8M-50TB	
		71,30	28	4F	1210	70,08	80	11	32,0	60,0	35,0	22,0	35,0	-	0,60	PHP 28-8M-50TB	
		76,39	30	4F	1615	75,13	85	14	42,0	60,0	23,0	25,0	-	-	0,65	PHP 30-8M-50TB	
		78,94	31	4F	1615	77,57	87	14	42,0	60,0	23,0	25,0	-	-	0,77	PHP 31-8M-50TB	
		81,49	32	4F	1615	80,16	90	14	42,0	60,0	23,0	25,0	-	-	0,82	PHP 32-8M-50TB	
		84,03	33	4F	1615	82,66	90	14	42,0	60,0	23,0	25,0	-	-	0,98	PHP 33-8M-50TB	
		86,58	34	4F	1615	85,22	95	14	42,0	60,0	23,0	25,0	-	-	1,06	PHP 34-8M-50TB	
		89,13	35	4F	1615	87,75	95	14	42,0	60,0	23,0	25,0	-	-	1,18	PHP 35-8M-50TB	
		91,67	36	4F	1615	90,30	100	14	42,0	60,0	23,0	25,0	-	-	1,30	PHP 36-8M-50TB	
		96,77	38	4F	1615	95,39	105	14	42,0	60,0	23,0	25,0	-	-	1,60	PHP 38-8M-50TB	
		101,86	40	4F	2012	100,49	110	14	50,0	60,0	29,0	32,0	-	-	1,71	PHP 40-8M-50TB	
		106,95	42	4F	2012	105,58	111	14	50,0	60,0	29,0	32,0	28,0	-	1,75	PHP 42-8M-50TB	
		112,05	44	6F	2012	110,67	121	14	50,0	60,0	-	32,0	28,0	-	1,78	PHP 44-8M-50TB	
		114,59	45	6F	2012	113,22	121	14	50,0	60,0	-	32,0	28,0	-	1,91	PHP 45-8M-50TB	
		122,23	48	6F	2012	120,86	131	14	50,0	60,0	-	32,0	28,0	-	2,30	PHP 48-8M-50TB	
		127,32	50	6F	2012	125,95	131	14	50,0	60,0	-	32,0	28,0	-	2,58	PHP 50-8M-50TB	
		132,42	52	6F	2012	131,04	140	14	50,0	60,0	-	32,0	28,0	-	2,85	PHP 52-8M-50TB	
		142,60	56	6F	2517	141,23	151	16	60,0	60,0	-	45,0	15,0	-	3,40	PHP 56-8M-50TB	
		147,70	58	6F	2517	146,32	156	16	60,0	60,0	-	45,0	15,0	-	3,80	PHP 58-8M-50TB	
		152,79	60	6F	2517	151,42	158	16	60,0	60,0	-	45,0	15,0	-	4,20	PHP 60-8M-50TB	
162,97	64	6F	2517	161,60	171	16	60,0	60,0	-	45,0	15,0	-	5,00	PHP 64-8M-50TB			
183,35	72	7F	2517	181,97	192	16	60,0	60,0	7,5	45,0	7,5	125	6,70	PHP 72-8M-50TB			
203,72	80	6	3020	202,35	-	25	75,0	60,0	4,5	45,0	4,5	-	8,80	PHP 80-8M-50TB			
229,18	90	7	3020	227,81	-	25	75,0	60,0	4,5	51,0	4,5	160	10,00	PHP 90-8M-50TB			
285,21	112	7	3020	283,83	-	25	75,0	60,0	4,5	51,0	4,5	170	12,00	PHP 112-8M-50TB			

<sup>1)</sup> Mass does not include bushings.

# HiTD pulleys

8 mm pitch taper bushed | 14 mm pitch taper bushed



Pitch	Belt width	Pitch diameter	Number of teeth	Pulley type	Bushing number	Dimensions								Mass <sup>1)</sup>	Designation	
						Outer diameter OD	A	B Min.	Max.	F	K	L	M			H
mm		PD				mm								kg		
8	50	366,69	144	8	3020	365,32	–	25	75,0	60,0	4,5	51,0	4,5	170	15,20	PHP 144-8M-50TB
		427,81	168	10	3525	426,44	–	25	100,0	60,0	4,5	51,0	4,5	170	16,40	PHP 168-8M-50TB
		488,92	192	10	3525	487,55	–	25	100,0	60,0	4,5	51,0	4,5	170	21,80	PHP 192-8M-50TB
8	85	61,12	24	6F	1108	59,75	70	9	28,0	95,0	36,5	22,0	36,5	–	0,46	PHP 24-8M-85TB
		66,21	26	6F	1108	64,84	75	9	28,0	95,0	36,5	22,0	36,5	–	0,64	PHP 26-8M-85TB
		71,30	28	6F	1108	70,08	80	9	28,0	95,0	36,5	22,0	36,5	–	0,82	PHP 28-8M-85TB
		76,39	30	6F	1615	75,13	85	14	42,0	95,0	36,5	22,0	36,5	–	1,17	PHP 30-8M-85TB
		84,03	33	6F	1615	82,66	90	14	42,0	95,0	36,5	22,0	36,5	–	1,34	PHP 33-8M-85TB
		86,58	34	6F	1615	85,22	95	14	42,0	95,0	28,5	38,0	28,5	–	1,43	PHP 34-8M-85TB
		89,13	35	6F	1615	87,75	95	14	42,0	95,0	28,5	38,0	28,5	–	1,54	PHP 35-8M-85TB
		91,67	36	6F	1615	90,30	100	14	42,0	95,0	28,5	38,0	28,5	–	1,87	PHP 36-8M-85TB
		96,77	38	6F	1615	95,39	106	14	42,0	95,0	28,5	38,0	28,5	–	2,20	PHP 38-8M-85TB
		101,86	40	6F	2012	100,49	110	14	50,0	95,0	31,5	32,0	31,5	–	1,80	PHP 40-8M-85TB
		106,95	42	6F	2012	105,58	110	14	50,0	95,0	31,5	32,0	31,5	–	2,16	PHP 42-8M-85TB
		112,05	44	6F	2012	110,67	121	14	50,0	95,0	31,5	32,0	31,5	–	2,30	PHP 44-8M-85TB
		114,59	45	6F	2012	113,22	121	14	50,0	95,0	31,5	32,0	31,5	–	2,39	PHP 45-8M-85TB
		122,23	48	6F	2517	120,86	131	16	60,0	95,0	25,0	45,0	25,0	–	2,66	PHP 48-8M-85TB
		127,32	50	6F	2517	125,95	131	16	60,0	95,0	25,0	45,0	25,0	–	3,11	PHP 50-8M-85TB
		132,42	52	6F	2517	131,04	140	16	60,0	95,0	25,0	45,0	25,0	–	3,56	PHP 52-8M-85TB
		142,60	56	6F	2517	141,23	151	16	60,0	95,0	25,0	45,0	25,0	–	4,45	PHP 56-8M-85TB
		147,70	58	6F	2517	146,32	158	16	60,0	95,0	25,0	45,0	25,0	–	4,89	PHP 58-8M-85TB
		152,79	60	6F	2517	151,42	158	16	60,0	95,0	25,0	45,0	25,0	–	5,33	PHP 60-8M-85TB
		162,97	64	7F	2517	161,60	171	16	60,0	95,0	25,0	45,0	25,0	–	6,20	PHP 64-8M-85TB
		183,35	72	7	3020	181,97	192	25	75,0	95,0	22,0	51,0	22,0	–	8,00	PHP 72-8M-85TB
		203,72	80	8	3020	202,35	–	25	75,0	95,0	22,0	51,0	22,0	–	10,00	PHP 80-8M-85TB
		229,18	90	8	3020	227,81	–	25	75,0	95,0	22,0	51,0	22,0	–	10,80	PHP 90-8M-85TB
		285,21	112	8	3020	283,83	–	25	75,0	95,0	22,0	51,0	22,0	170	15,00	PHP 112-8M-85TB
366,69	144	8	3535	365,32	–	35	90,0	95,0	3,0	89,0	3,0	190	20,00	PHP 144-8M-85TB		
427,81	168	8	3535	426,44	–	35	90,0	95,0	3,0	89,0	3,0	190	23,00	PHP 168-8M-85TB		
488,92	192	8	3535	487,55	–	35	90,0	95,0	3,0	89,0	3,0	190	28,50	PHP 192-8M-85TB		
14	40	124,78	28	6F	2012	122,12	141	14	50,0	54,0	11,0	32,0	11,0	–	2,66	PHP 28-14M-40TB
		129,23	29	6F	2012	126,57	141	14	50,0	54,0	11,0	32,0	11,0	–	2,66	PHP 29-14M-40TB
		133,69	30	6F	2012	130,99	156	14	50,0	54,0	11,0	32,0	11,0	–	2,89	PHP 30-14M-40TB
		142,60	32	6F	2012	139,88	156	14	50,0	54,0	11,0	32,0	11,0	–	3,51	PHP 32-14M-40TB
		151,52	34	6F	2517	148,79	165	16	60,0	54,0	4,5	45,0	4,5	–	3,87	PHP 34-14M-40TB
		155,97	35	6F	2517	153,18	173	16	60,0	54,0	4,5	45,0	4,5	–	4,34	PHP 35-14M-40TB
		160,43	36	6F	2517	157,68	173	16	60,0	54,0	4,5	45,0	4,5	–	4,62	PHP 36-14M-40TB
		169,34	38	6F	2517	166,60	182	16	60,0	54,0	4,5	45,0	4,5	–	5,40	PHP 38-14M-40TB
		178,25	40	6F	2517	175,49	191	16	60,0	54,0	4,5	45,0	4,5	–	6,23	PHP 40-14M-40TB
		187,17	42	6F	2517	184,37	209	16	60,0	54,0	4,5	45,0	4,5	–	6,75	PHP 42-14M-40TB
		196,08	44	6F	3020	193,28	209	25	75,0	54,0	1,5	51,0	1,5	–	7,26	PHP 44-14M-40TB
		200,54	45	6F	3020	197,74	227	25	75,0	54,0	1,5	51,0	1,5	–	8,20	PHP 45-14M-40TB
		213,90	48	6F	3020	211,11	227	25	75,0	54,0	1,5	51,0	1,5	–	9,33	PHP 48-14M-40TB
		222,82	50	6F	3020	220,02	246	25	75,0	54,0	1,5	51,0	1,5	–	10,10	PHP 50-14M-40TB
		249,55	56	6F	3020	246,76	264	25	75,0	54,0	1,5	51,0	1,5	–	10,80	PHP 56-14M-40TB
		267,38	60	7F	3020	264,59	281	25	75,0	54,0	1,5	51,0	1,5	170	13,10	PHP 60-14M-40TB
		285,21	64	7F	3020	282,41	296	25	75,0	54,0	1,5	51,0	1,5	170	15,40	PHP 64-14M-40TB
		320,86	72	7	3020	318,06	–	25	75,0	54,0	1,5	51,0	1,5	170	19,75	PHP 72-14M-40TB
		356,51	80	8	3020	353,71	–	25	75,0	54,0	1,5	51,0	1,5	170	20,00	PHP 80-14M-40TB
		401,07	90	8	3020	398,28	–	25	75,0	54,0	1,5	51,0	1,5	170	21,80	PHP 90-14M-40TB
		499,11	112	8	3020	496,32	–	25	75,0	54,0	1,5	51,0	1,5	170	29,60	PHP 112-14M-40TB
		641,71	144	8	3020	638,92	–	25	75,0	54,0	1,5	51,0	1,5	170	36,00	PHP 144-14M-40TB
		748,66	168	8	3020	745,87	–	25	75,0	54,0	1,5	51,0	1,5	170	48,00	PHP 168-14M-40TB

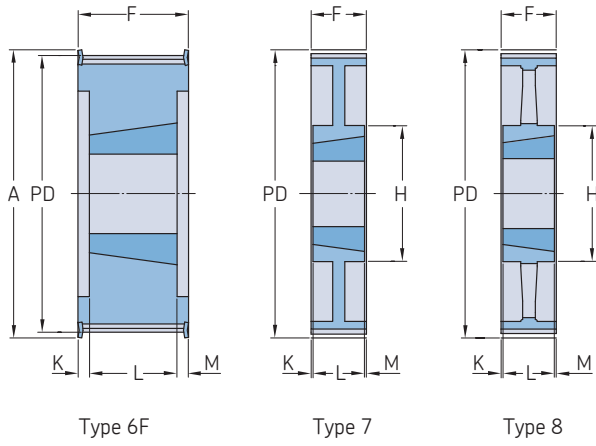
<sup>1)</sup> Mass does not include bushings.

**HiTD pulleys**  
14 mm pitch taper bushed

Pitch	Belt width	Pitch diameter	Number of teeth	Pulley type	Bushing number	Dimensions										Mass <sup>1)</sup>	Designation	
						Outer diameter OD	A	B Min.	Max.	F	K	L	M	H				
mm		PD				mm									kg			
14	40	855,62	192	8	3020	852,82	–	25	75,0	54,0	1,5	51,0	1,5	170	53,00	PHP 192-14M-40TB		
		962,56	216	8	3020	960,00	–	25	75,0	54,0	1,5	51,0	1,5	170	60,00	PHP 216-14M-40TB		
14	55	124,78	28	6F	2012	122,12	141	14	50,0	70,0	19,0	32,0	19,0	–	2,88	PHP 28-14M-55TB		
		129,23	29	6F	2012	126,57	141	14	50,0	70,0	19,0	32,0	19,0	–	3,18	PHP 29-14M-55TB		
		133,69	30	6F	2517	130,99	156	16	60,0	70,0	12,5	45,0	12,5	–	3,21	PHP 30-14M-55TB		
		142,60	32	6F	2517	139,88	156	16	60,0	70,0	12,5	45,0	12,5	–	3,90	PHP 32-14M-55TB		
		151,51	34	6F	2517	148,79	165	16	60,0	70,0	12,5	45,0	12,5	–	4,55	PHP 34-14M-55TB		
		155,97	35	6F	2517	153,18	173	16	60,0	70,0	12,5	45,0	12,5	–	4,88	PHP 35-14M-55TB		
		160,43	36	6F	2517	157,68	173	16	60,0	70,0	12,5	45,0	12,5	–	5,20	PHP 36-14M-55TB		
		169,34	38	6F	2517	166,60	182	16	60,0	70,0	12,5	45,0	12,5	–	6,20	PHP 38-14M-55TB		
		178,25	40	6F	2517	175,49	191	16	60,0	70,0	12,5	45,0	12,5	–	7,00	PHP 40-14M-55TB		
		187,17	42	6F	3020	184,37	209	25	75,0	70,0	9,5	51,0	9,5	–	7,80	PHP 42-14M-55TB		
		196,08	44	6F	3020	193,28	209	25	75,0	70,0	9,5	51,0	9,5	–	8,42	PHP 44-14M-55TB		
		200,54	45	6F	3020	197,74	227	25	75,0	70,0	9,5	51,0	9,5	–	9,51	PHP 45-14M-55TB		
		213,90	48	6F	3020	211,11	227	25	75,0	70,0	9,5	51,0	9,5	–	10,64	PHP 48-14M-55TB		
		228,82	50	6F	3020	220,02	246	25	75,0	70,0	9,5	51,0	9,5	–	11,52	PHP 50-14M-55TB		
		249,55	56	6F	3020	246,76	264	25	75,0	70,0	9,5	51,0	9,5	–	12,40	PHP 56-14M-55TB		
		267,38	60	7F	3020	264,59	281	25	75,0	70,0	9,5	51,0	9,5	170	14,00	PHP 60-14M-55TB		
		285,21	64	7F	3020	282,41	298	25	75,0	70,0	9,5	51,0	9,5	170	15,18	PHP 64-14M-55TB		
		320,86	72	7	3020	318,06	–	25	75,0	70,0	9,5	51,0	9,5	170	20,00	PHP 72-14M-55TB		
		356,51	80	8	3020	353,71	–	25	75,0	70,0	9,5	51,0	9,5	170	22,50	PHP 80-14M-55TB		
		401,07	90	8	3020	398,28	–	25	75,0	70,0	9,5	51,0	9,5	170	25,00	PHP 90-14M-55TB		
		499,11	112	8	3020	496,32	–	25	75,0	70,0	9,5	51,0	9,5	170	33,40	PHP 112-14M-55TB		
		641,71	144	8	3020	638,92	–	25	75,0	70,0	9,5	51,0	9,5	170	46,50	PHP 144-14M-55TB		
		748,66	168	8	3020	745,87	–	25	75,0	70,0	9,5	51,0	9,5	170	58,50	PHP 168-14M-55TB		
		855,62	192	8	3020	852,82	–	25	75,0	70,0	9,5	51,0	9,5	170	62,00	PHP 192-14M-55TB		
		962,56	216	10	3535	960,00	–	35	90,0	70,0	9,5	51,0	9,5	190	74,80	PHP 216-14M-55TB		
		14	85	124,78	28	6F	2517	122,12	141	16	60,0	102,0	28,5	45,0	28,5	–	2,70	PHP 28-14M-85TB
				129,23	29	6F	2517	126,57	141	16	60,0	102,0	28,5	45,0	28,5	–	3,40	PHP 29-14M-85TB
				133,69	30	6F	2517	130,99	156	16	60,0	102,0	28,5	45,0	28,5	–	3,75	PHP 30-14M-85TB
				142,60	32	6F	2517	139,88	156	16	60,0	102,0	28,5	45,0	28,5	–	4,80	PHP 32-14M-85TB
				151,51	34	6F	2517	148,79	165	16	60,0	102,0	28,5	45,0	28,5	–	6,00	PHP 34-14M-85TB
				155,97	35	6F	2517	153,18	173	16	75,0	102,0	25,5	51,0	25,5	–	6,33	PHP 35-14M-85TB
				160,43	36	6F	3020	157,68	173	25	75,0	102,0	25,5	51,0	25,5	–	6,67	PHP 36-14M-85TB
				169,34	38	6F	3020	166,60	182	25	75,0	102,0	25,5	51,0	25,5	–	6,80	PHP 38-14M-85TB
				178,25	40	6F	3020	175,49	191	25	75,0	102,0	25,5	51,0	25,5	–	8,00	PHP 40-14M-85TB
181,17	42			6F	3020	184,37	209	25	75,0	102,0	13,0	76,0	13,0	–	9,90	PHP 42-14M-85TB		
196,08	44			6F	3020	193,28	209	25	75,0	102,0	13,0	76,0	13,0	–	11,80	PHP 44-14M-85TB		
200,54	45			6F	3020	197,74	227	25	75,0	102,0	13,0	76,0	13,0	–	12,63	PHP 45-14M-85TB		
213,90	48			6F	3020	211,11	227	25	75,0	102,0	13,0	76,0	13,0	–	15,10	PHP 48-14M-85TB		
222,82	50			6F	3535	220,02	246	35	90,0	102,0	18,5	65,0	18,5	–	16,08	PHP 50-14M-85TB		
249,55	56			6F	3535	246,76	264	35	90,0	102,0	18,5	65,0	18,5	–	19,00	PHP 56-14M-85TB		
267,38	60			6F	3535	264,59	281	35	90,0	102,0	18,5	65,0	18,5	–	21,00	PHP 60-14M-85TB		
285,21	64			7F	3535	282,41	298	35	90,0	102,0	18,5	65,0	18,5	190	23,00	PHP 64-14M-85TB		
320,86	72			7	3535	318,06	–	35	90,0	102,0	18,5	65,0	18,5	190	25,00	PHP 72-14M-85TB		
356,51	80			8	3535	353,71	–	35	90,0	102,0	18,5	65,0	18,5	190	26,00	PHP 80-14M-85TB		
401,07	90			8	3535	398,28	–	35	90,0	102,0	18,5	65,0	18,5	190	27,80	PHP 90-14M-85TB		
499,11	112			8	3535	496,32	–	35	90,0	102,0	18,5	65,0	18,5	190	36,50	PHP 112-14M-85TB		
641,71	144			8	4040	638,92	–	40	100,0	102,0	18,5	65,0	18,5	230	48,00	PHP 144-14M-85TB		
748,66	168			8	4040	745,87	–	40	100,0	102,0	18,5	65,0	18,5	230	60,00	PHP 168-14M-85TB		
855,62	192			8	4040	852,82	–	40	100,0	102,0	–	102,0	–	230	86,00	PHP 192-14M-85TB		
962,56	216			8	4040	960,00	–	40	100,0	102,0	–	102,0	–	230	119,50	PHP 216-14M-85TB		
14	115			124,78	28	6F	2517	122,12	141	16	60,0	133,0	44,0	45,0	44,0	–	3,77	PHP 28-14M-115TB
				129,23	29	6F	2517	126,57	141	16	60,0	133,0	44,0	45,0	44,0	–	4,00	PHP 29-14M-115TB
				133,69	30	6F	2517	130,99	156	16	60,0	133,0	44,0	45,0	44,0	–	5,00	PHP 30-14M-115TB
				142,60	32	6F	2517	139,88	156	16	60,0	133,0	44,0	45,0	44,0	–	6,00	PHP 32-14M-115TB
				151,52	34	6F	2517	148,79	165	16	60,0	133,0	44,0	45,0	44,0	–	7,20	PHP 34-14M-115TB
				155,97	35	6F	3020	153,18	173	25	75,0	133,0	41,0	51,0	41,0	–	7,00	PHP 35-14M-115TB
				160,43	36	6F	3020	157,68	173	25	75,0	133,0	41,0	51,0	41,0	–	7,30	PHP 36-14M-115TB
				169,34	38	6F	3020	166,60	182	25	75,0	133,0	41,0	51,0	41,0	–	8,40	PHP 38-14M-115TB
				178,25	40	6F	3020	175,49	191	25	75,0	133,0	41,0	51,0	41,0	–	9,20	PHP 40-14M-115TB
		187,17	42	6F	3030	184,37	209	35	75,0	133,0	28,5	76,0	28,5	–	11,60	PHP 42-14M-115TB		
		196,08	44	6F	3030	193,28	209	35	75,0	133,0	28,5	76,0	28,5	–	14,00	PHP 44-14M-115TB		
		200,54	45	6F	3030	197,74	227	35	75,0	133,0	28,5	76,0	28,5	–	15,60	PHP 45-14M-115TB		
		213,90	48	6F	3030	211,11	227	35	75,0	133,0	28,5	76,0	28,5	–	17,10	PHP 48-14M-115TB		
		222,82	50	6F	3535	220,02	246	35	90,0	133,0	22,0	89,0	22,0	–	21,00	PHP 50-14M-115TB		
		249,55	56	6F	3535	246,76	264	35	90,0	133,0	22,0	89,0	22,0	–	24,80	PHP 56-14M-115TB		
		267,38	60	6F	3535	264,59	281	35	90,0	133,0	22,0	89,0	22,0	–	25,90	PHP 60-14M-115TB		
		285,21	64	7F	3535	282,41	298	35	90,0	133,0	22,0	89,0	22,0	190	27,00	PHP 64-14M-115TB		
		320,86	72	7	3535	318,06	–	35	90,0	133,0	22,0	89,0	22,0	190	33,00	PHP 72-14M-115TB		
		356,51	80	7	3535	353,71	–	35	90,0	133,0	22,0	89,0	22,0	190	37,00	PHP 80-14M-115TB		
		401,07	90	7	3535	398,28	–	35	90,0	133,0	22,0	89,0	22,0	190	42,00	PHP 90-14M-115TB		
		499,11	112	8	3535	496,32	–	35	90,0	133,0	22,0	89,0	22,0	190	56,00	PHP 112-14M-115TB		

<sup>1)</sup> Mass does not include bushings.

**HiTD pulleys**  
14 mm pitch taper bushed

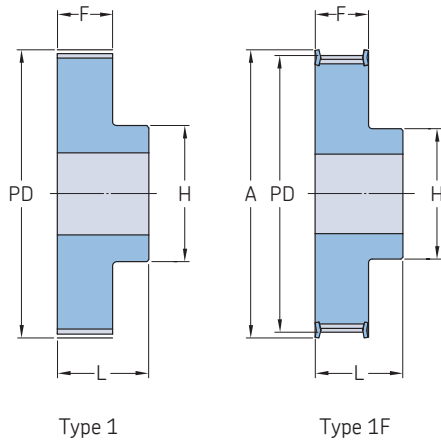


Pitch	Belt width	Pitch diameter PD	Number of teeth	Pulley type	Bushing number	Dimensions		F	K	L	M	H	Mass <sup>1)</sup>	Designation		
						Outer diameter OD	A									
mm			-	-	-	mm							kg	-		
14	115	641,71	144	8	4040	638,92	-	40	100,0	133,0	15,5	102,0	15,5	230	75,00	PHP 144-14M-115TB
		748,66	168	8	4040	745,87	-	40	100,0	133,0	15,5	102,0	15,5	230	92,60	PHP 168-14M-115TB
		855,62	192	8	4040	852,92	-	40	100,0	133,0	15,5	102,0	15,5	230	230,00	PHP 192-14M-115TB
		962,57	216	8	4040	959,76	-	40	100,0	133,0	15,5	102,0	15,5	230	127,00	PHP 216-14M-115TB
14	170	155,97	35	6F	3030	153,18	173	35	75,0	187,0	55,5	76,0	55,5	-	10,60	PHP 35-14M-170TB
		160,43	36	6F	3030	157,68	173	35	75,0	187,0	55,5	76,0	55,5	-	11,20	PHP 36-14M-170TB
		169,34	38	6F	3030	167,00	182	35	75,0	187,0	55,5	76,0	55,5	-	11,70	PHP 38-14M-170TB
		178,25	40	6F	3030	175,00	191	35	75,0	187,0	55,5	76,0	55,5	-	13,00	PHP 40-14M-170TB
		187,17	42	6F	3535	184,37	202	35	90,0	187,0	49,0	89,0	49,0	-	14,00	PHP 42-14M-170TB
		196,08	44	6F	3535	193,00	209	35	90,0	187,0	49,0	89,0	49,0	-	15,00	PHP 44-14M-170TB
		200,54	45	6F	3535	197,74	212	35	90,0	187,0	49,0	89,0	49,0	-	16,00	PHP 45-14M-170TB
		213,90	48	6F	3535	211,00	227	35	90,0	187,0	49,0	89,0	49,0	-	19,00	PHP 48-14M-170TB
		222,82	50	6F	3535	220,02	246	35	90,0	187,0	49,0	89,0	49,0	-	23,80	PHP 50-14M-170TB
		249,55	56	6F	3535	247,00	263	35	90,0	187,0	49,0	89,0	49,0	-	28,50	PHP 56-14M-170TB
		267,38	60	6F	4040	264,59	281	40	100,0	187,0	42,5	114,0	42,5	-	34,80	PHP 60-14M-170TB
		285,21	64	6F	4040	282,00	298	40	100,0	187,0	42,5	114,0	42,5	230	41,00	PHP 64-14M-170TB
		320,86	72	7	4040	318,00	-	40	100,0	187,0	42,5	114,0	42,5	230	46,90	PHP 72-14M-170TB
		356,51	80	7	4040	354,00	-	40	100,0	187,0	42,5	114,0	42,5	230	48,00	PHP 80-14M-170TB
		401,07	90	7	4040	398,00	-	40	100,0	187,0	42,5	114,0	42,5	230	52,50	PHP 90-14M-170TB
		499,11	112	7	5050	496,00	-	70	125,0	187,0	30,0	127,0	30,0	242	74,50	PHP 112-14M-170TB
		641,71	144	8	5050	639,00	-	70	125,0	187,0	30,0	127,0	30,0	394	91,00	PHP 144-14M-170TB
		748,86	168	8	5050	746,00	-	70	125,0	187,0	30,0	127,0	30,0	394	116,00	PHP 168-14M-170TB
		855,62	192	8	5050	853,00	-	70	125,0	187,0	30,0	127,0	30,0	394	134,00	PHP 192-14M-170TB
		962,57	216	8	5050	960,00	-	70	125,0	187,0	30,0	127,0	30,0	394	146,50	PHP 216-14M-170TB

<sup>1)</sup> Mass does not include bushings.

## Classical timing pulleys

XL Pilot bore (RSB) | L Pilot bore (RSB)

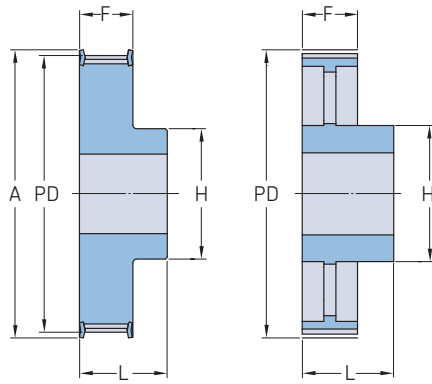


Section	Belt width	Pitch diameter PD	Number of teeth	Pulley type	Dimensions							Mass	Designation
					Outer diameter OD	A	B Min.	Max.	H	F	L		
-	mm	-	-	-	mm	-	-	-	-	-	-	kg	-
XL	6,4 and 9,5	16,17	10	1F	15,67	23	5	5	9,5	14,3	19,8	0,02	PHP 10XL037RSB
		17,79	11	1F	17,29	23	5	5	9,5	14,3	19,8	0,02	PHP 11XL037RSB
		19,40	12	1F	18,90	25	5	8	12,7	14,3	19,8	0,03	PHP 12XL037RSB
		21,02	13	1F	20,52	25	6	8	12,7	14,3	19,8	0,03	PHP 13XL037RSB
		22,64	14	1F	22,14	28	6	9	14,3	14,3	19,8	0,04	PHP 14XL037RSB
		24,26	15	1F	23,76	28	6	11	15,9	14,3	19,8	0,04	PHP 15XL037RSB
		25,87	16	1F	25,37	32	6	12	17,5	14,3	19,8	0,05	PHP 16XL037RSB
		27,49	17	1F	26,99	36	6	13	20,0	14,3	19,8	0,05	PHP 17XL037RSB
		29,11	18	1F	28,61	36	6	13	20,6	14,3	19,8	0,06	PHP 18XL037RSB
		30,72	19	1F	30,22	36	6	13	20,6	14,3	19,8	0,07	PHP 19XL037RSB
		32,34	20	1F	31,84	38	6	15	23,8	14,3	22,2	0,08	PHP 20XL037RSB
		33,96	21	1F	33,46	38	6	15	23,8	14,3	22,2	0,09	PHP 21XL037RSB
		35,57	22	1F	35,07	42	6	16	25,4	14,3	22,2	0,10	PHP 22XL037RSB
		38,81	24	1F	38,31	44	6	18	27,0	14,3	22,2	0,12	PHP 24XL037RSB
		42,04	26	1F	41,54	48	6	20	30,0	14,3	22,2	0,14	PHP 26XL037RSB
		43,66	27	1F	43,16	48	6	20	30,0	14,3	22,2	0,15	PHP 27XL037RSB
		45,28	28	1F	44,78	51	6	20	30,2	14,3	22,2	0,16	PHP 28XL037RSB
		46,89	29	1F	46,39	51	6	20	30,2	14,3	22,2	0,17	PHP 29XL037RSB
		48,51	30	1F	48,01	54	6	24	34,9	14,3	22,2	0,19	PHP 30XL037RSB
		51,74	32	1	51,24	57	8	25	40,0	14,3	25,4	0,11	PHP 32XL037RSB
		54,98	34	1	54,48	-	8	25	38,0	14,3	25,4	0,11	PHP 34XL037RSB
		56,60	35	1	56,10	-	8	25	38,0	14,3	25,4	0,12	PHP 35XL037RSB
		58,21	36	1	57,71	-	8	30	45,0	14,3	25,4	0,13	PHP 36XL037RSB
		61,45	38	1	60,95	-	8	30	45,0	14,3	25,4	0,15	PHP 38XL037RSB
		64,68	40	1	64,18	-	8	30	45,0	14,3	25,4	0,17	PHP 40XL037RSB
		67,91	42	1	67,41	-	8	30	45,0	14,3	25,4	0,20	PHP 42XL037RSB
		71,15	44	1	70,65	-	8	30	45,0	14,3	25,4	0,15	PHP 44XL037RSB
		72,77	45	1	72,27	-	8	30	45,0	14,3	25,4	0,15	PHP 45XL037RSB
		77,62	48	1	77,12	-	8	30	45,0	14,3	25,4	0,16	PHP 48XL037RSB
		97,02	60	1	96,52	-	8	30	45,0	14,3	25,4	0,18	PHP 60XL037RSB
		116,43	72	1	115,93	-	8	30	45,0	14,3	25,4	0,23	PHP 72XL037RSB
		L	12,7	30,32	10	1F	29,56	36	6	14	22,0	19,0	26,0
33,35	11			1F	32,59	39	6	14	22,0	19,0	26,0	0,13	PHP 11L050RSB
36,38	12			1F	35,62	42	6	20	28,0	19,0	30,0	0,19	PHP 12L050RSB
39,41	13			1F	38,65	45	6	20	28,0	19,0	30,0	0,21	PHP 13L050RSB
42,45	14			1F	41,69	48	8	20	28,0	19,0	30,0	0,23	PHP 14L050RSB
45,48	15			1F	44,72	51	8	23	32,0	19,0	30,0	0,27	PHP 15L050RSB
48,51	16			1F	47,75	54	8	24	36,0	19,0	32,0	0,34	PHP 16L050RSB
51,54	17			1F	50,78	57	10	24	38,0	19,0	32,0	0,38	PHP 17L050RSB
54,57	18			1F	53,81	60	10	27	40,0	19,0	32,0	0,41	PHP 18L050RSB
57,61	19			1F	56,85	63	10	27	40,0	19,0	32,0	0,45	PHP 19L050RSB
60,64	20			1F	59,88	66	10	30	46,0	19,0	32,0	0,50	PHP 20L050RSB
63,67	21			1F	62,91	69	10	30	46,0	19,0	32,0	0,55	PHP 21L050RSB
66,70	22			1F	65,94	72	10	33	50,0	19,0	32,0	0,62	PHP 22L050RSB
69,73	23			1F	68,97	78	10	33	50,0	19,0	26,0	0,65	PHP 23L050RSB
72,77	24			1F	72,01	78	12	33	50,0	19,0	26,0	0,68	PHP 24L050RSB
75,80	25			1F	75,04	85	12	33	50,0	19,0	26,0	0,74	PHP 25L050RSB
78,83	26			1F	78,07	85	12	33	50,0	19,0	26,0	0,82	PHP 26L050RSB
81,86	27			1F	81,10	91	12	33	50,0	19,0	26,0	0,85	PHP 27L050RSB
84,89	28			1F	84,13	91	12	33	50,0	19,0	26,0	0,92	PHP 28L050RSB
87,93	29			1F	87,17	91	12	33	50,0	19,0	26,0	1,00	PHP 29L050RSB
90,96	30			1F	90,20	97	12	33	50,0	19,0	26,0	1,10	PHP 30L050RSB
93,99	31			1F	93,23	103	12	33	50,0	19,0	26,0	1,14	PHP 31L050RSB

All XL pulleys are made from aluminium with 2 set screws at 90°. Where keyway is required, reduce maximum bore by twice keyway depth.

# Classical timing pulleys

L Pilot bore (RSB)



Type 1F

Type 5

Section	Belt width	Pitch diameter PD	Number of teeth	Pulley type	Dimensions						Mass	Designation	
					Outer diameter OD	A	B Min.	Max.	H	F			L
		mm	-	-	mm						kg	-	
L	12,7	97,02	32	1F	96,26	103	12	33	50,0	19,0	26,0	1,19	PHP 32L050RSB
		100,05	33	1F	99,29	106	12	33	50,0	19,0	26,0	1,25	PHP 33L050RSB
		103,08	34	1F	102,32	115	12	33	50,0	19,0	26,0	1,31	PHP 34L050RSB
		106,12	35	1F	105,36	115	12	33	50,0	19,0	26,0	1,37	PHP 35L050RSB
		109,15	36	1F	108,39	115	12	33	50,0	19,0	26,0	1,40	PHP 36L050RSB
		115,21	38	1F	114,45	127	12	33	50,0	19,0	26,0	1,22	PHP 38L050RSB
		121,28	40	1F	120,52	127	12	33	50,0	19,0	26,0	1,26	PHP 40L050RSB
		127,34	42	1F	126,58	139	12	33	50,0	19,0	26,0	1,31	PHP 42L050RSB
		133,40	44	1F	132,64	139	12	33	50,0	19,0	28,0	1,43	PHP 44L050RSB
		136,44	45	1F	135,68	152	12	33	50,0	19,0	28,0	1,49	PHP 45L050RSB
		145,53	48	1F	144,77	152	12	33	50,0	19,0	28,0	1,55	PHP 48L050RSB
		151,60	50	5	150,84	-	12	33	50,0	19,0	28,0	1,66	PHP 50L050RSB
		157,66	52	5	156,90	-	12	33	50,0	19,0	28,0	1,85	PHP 52L050RSB
		169,79	56	5	169,03	-	12	33	50,0	19,0	28,0	1,97	PHP 56L050RSB
		172,82	57	5	172,06	-	12	33	50,0	19,0	28,0	2,09	PHP 57L050RSB
		191,91	60	5	191,15	-	15	45	50,0	19,0	42,0	2,30	PHP 60L050RSB
		218,30	72	5	217,54	-	15	45	75,0	19,0	42,0	2,50	PHP 72L050RSB
		230,43	76	5	229,67	-	15	45	75,0	19,0	42,0	2,70	PHP 76L050RSB
		254,68	84	5	253,92	-	15	45	75,0	19,0	42,0	2,90	PHP 84L050RSB
		283,03	95	5	282,27	-	15	45	75,0	19,0	42,0	3,10	PHP 95L050RSB
291,06	96	5	290,30	-	15	45	75,0	19,0	42,0	3,30	PHP 96L050RSB		
L	19,1	30,32	10	1F	29,56	36	6	14	22,0	25,4	32,0	0,15	PHP 10L075RSB
		33,35	11	1F	32,59	39	6	14	22,0	25,4	32,0	0,20	PHP 11L075RSB
		36,38	12	1F	35,62	42	8	20	28,0	25,4	38,0	0,23	PHP 12L075RSB
		39,41	13	1F	38,65	45	8	20	28,0	25,4	38,0	0,26	PHP 13L075RSB
		42,45	14	1F	41,69	48	8	20	28,0	25,4	38,0	0,28	PHP 14L075RSB
		45,48	15	1F	44,72	51	8	23	32,0	25,4	38,0	0,36	PHP 15L075RSB
		48,51	16	1F	47,75	54	8	24	36,0	25,4	41,0	0,45	PHP 16L075RSB
		51,54	17	1F	50,78	57	10	24	38,0	25,4	41,0	0,50	PHP 17L075RSB
		54,57	18	1F	53,81	60	10	27	40,0	25,4	41,0	0,55	PHP 18L075RSB
		57,61	19	1F	56,85	63	10	27	40,0	25,4	41,0	0,60	PHP 19L075RSB
		60,64	20	1F	59,88	66	10	30	46,0	25,4	41,0	0,65	PHP 20L075RSB
		63,67	21	1F	62,91	69	10	30	46,0	25,4	41,0	0,70	PHP 21L075RSB
		66,70	22	1F	65,94	72	10	33	50,0	25,4	41,0	0,75	PHP 22L075RSB
		69,73	23	1F	68,97	78	10	33	50,0	25,4	32,0	0,81	PHP 23L075RSB
		72,77	24	1F	72,01	79	12	33	50,0	25,4	32,0	0,85	PHP 24L075RSB
		75,80	25	1F	75,04	85	12	33	50,0	25,4	32,0	0,94	PHP 25L075RSB
		78,83	26	1F	78,07	85	12	33	50,0	25,4	32,0	1,02	PHP 26L075RSB
		81,86	27	1F	81,10	91	12	33	50,0	25,4	32,0	1,09	PHP 27L075RSB
		84,89	28	1F	84,13	91	12	33	50,0	25,4	32,0	1,20	PHP 28L075RSB
		87,93	29	1F	87,17	91	12	33	50,0	25,4	32,0	1,33	PHP 29L075RSB
		90,96	30	1F	90,20	97	12	33	50,0	25,4	32,0	1,33	PHP 30L075RSB
		93,99	31	1F	93,23	103	12	33	50,0	25,4	32,0	1,39	PHP 31L075RSB
		97,02	32	1F	96,26	103	12	33	50,0	25,4	32,0	1,45	PHP 32L075RSB
		100,05	33	1F	99,29	106	12	33	50,0	25,4	32,0	1,56	PHP 33L075RSB
		103,08	34	1F	102,32	115	12	33	50,0	25,4	32,0	1,70	PHP 34L075RSB
		106,12	35	1F	105,36	115	12	33	50,0	25,4	32,0	1,78	PHP 35L075RSB
		109,15	36	1F	108,39	115	12	36	55,0	25,4	32,0	1,50	PHP 36L075RSB
		115,21	38	1F	114,45	127	12	36	55,0	25,4	32,0	1,63	PHP 38L075RSB
		121,28	40	1F	120,52	127	12	40	60,0	25,4	32,0	1,79	PHP 40L075RSB
		127,34	42	1F	126,58	139	12	40	60,0	25,4	32,0	1,95	PHP 42L075RSB
		133,40	44	1F	132,64	139	12	40	60,0	25,4	35,0	2,05	PHP 44L075RSB
		136,44	45	1F	135,68	152	12	40	60,0	25,4	35,0	2,10	PHP 45L075RSB

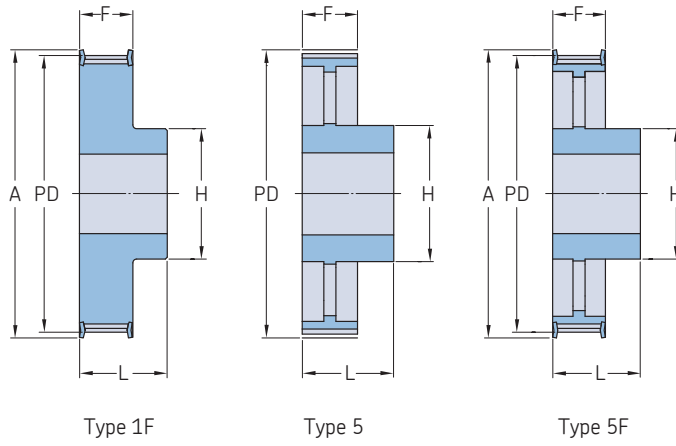
# Classical timing pulleys

L Pilot bore (RSB) | H Pilot bore (RSB)

Section	Belt width	Pitch diameter	Number of teeth	Pulley type	Dimensions						Mass	Designation		
					Outer diameter OD	A	B Min.	Max.	H	F			L	
-	mm	PD	-	-	mm						kg	-		
L	19,1	145,53	48	1F	144,77	152	12	40	60,0	25,4	35,0	2,15	PHP 48L075RSB	
		151,60	50	5	150,84	-	12	40	60,0	25,4	35,0	2,25	PHP 50L075RSB	
		157,66	52	5	156,90	-	12	40	60,0	25,4	35,0	2,55	PHP 52L075RSB	
		169,79	56	5	169,03	-	12	40	60,0	25,4	35,0	2,78	PHP 56L075RSB	
		172,82	57	5	172,06	-	12	40	60,0	25,4	35,0	2,91	PHP 57L075RSB	
		181,91	60	5	181,15	-	15	45	75,0	25,4	45,0	3,10	PHP 60L075RSB	
		218,30	72	5	217,54	-	15	45	75,0	25,4	45,0	3,29	PHP 72L075RSB	
		230,43	76	5	229,67	-	15	45	75,0	25,4	45,0	3,48	PHP 76L075RSB	
		254,67	84	5	253,91	-	15	45	75,0	25,4	45,0	3,67	PHP 84L075RSB	
		283,03	95	5	282,27	-	15	45	75,0	25,4	45,0	3,76	PHP 95L075RSB	
	291,06	96	5	290,30	-	15	45	75,0	25,4	45,0	3,85	PHP 96L075RSB		
	363,83	120	5	363,07	-	15	70	120,0	25,4	45,0	4,50	PHP 120L075RSB		
	L	25,4	30,32	10	1F	29,56	36	6	14	22,0	32,0	38,0	0,18	PHP 10L100RSB
			33,35	11	1F	32,59	39	6	14	22,0	32,0	38,0	0,20	PHP 11L100RSB
			36,38	12	1F	35,62	42	8	20	28,0	32,0	45,0	0,25	PHP 12L100RSB
			39,41	13	1F	38,65	45	8	20	28,0	32,0	45,0	0,30	PHP 13L100RSB
			42,45	14	1F	41,69	48	8	20	28,0	32,0	45,0	0,34	PHP 14L100RSB
			45,48	15	1F	44,72	51	8	23	32,0	32,0	45,0	0,40	PHP 15L100RSB
			48,51	16	1F	47,75	54	8	24	36,0	32,0	45,0	0,48	PHP 16L100RSB
			51,54	17	1F	50,78	57	10	24	38,0	32,0	45,0	0,57	PHP 17L100RSB
54,57			18	1F	53,81	60	10	27	40,0	32,0	45,0	0,62	PHP 18L100RSB	
57,61			19	1F	56,85	63	10	27	40,0	32,0	45,0	0,69	PHP 19L100RSB	
60,64			20	1F	59,88	66	10	30	46,0	32,0	45,0	0,76	PHP 20L100RSB	
63,67			21	1F	62,91	69	10	30	46,0	32,0	45,0	0,82	PHP 21L100RSB	
66,70			22	1F	65,94	72	10	33	50,0	32,0	45,0	0,92	PHP 22L100RSB	
69,73			23	1F	68,97	78	10	33	50,0	32,0	38,0	0,98	PHP 23L100RSB	
72,77			24	1F	72,01	78	12	33	50,0	32,0	38,0	1,06	PHP 24L100RSB	
75,80			25	1F	75,04	85	12	33	50,0	32,0	38,0	1,14	PHP 25L100RSB	
78,83			26	1F	78,07	85	12	33	50,0	32,0	38,0	1,24	PHP 26L100RSB	
81,86			27	1F	81,10	91	12	33	50,0	32,0	38,0	1,33	PHP 27L100RSB	
84,89			28	1F	84,13	91	12	33	50,0	32,0	38,0	1,40	PHP 28L100RSB	
87,93			29	1F	87,17	91	12	33	50,0	32,0	38,0	1,70	PHP 29L100RSB	
90,96		30	1F	90,20	97	12	33	50,0	32,0	38,0	1,70	PHP 30L100RSB		
97,02		32	1F	96,26	103	12	33	50,0	32,0	38,0	1,80	PHP 32L100RSB		
100,05		33	1F	99,29	106	12	33	50,0	32,0	38,0	1,92	PHP 33L100RSB		
103,08		34	1F	102,32	115	12	33	50,0	32,0	38,0	2,09	PHP 34L100RSB		
106,12		35	1F	105,36	115	12	33	50,0	32,0	38,0	2,19	PHP 35L100RSB		
109,15		36	1F	108,39	115	12	36	55,0	32,0	32,0	1,50	PHP 36L100RSB		
115,21		38	1F	114,45	127	12	36	55,0	32,0	32,0	1,77	PHP 38L100RSB		
121,28		40	1F	120,52	127	12	40	60,0	32,0	32,0	1,90	PHP 40L100RSB		
127,34		42	1F	126,58	139	12	40	60,0	32,0	32,0	2,11	PHP 42L100RSB		
133,40		44	1F	132,64	139	12	40	60,0	32,0	35,0	2,30	PHP 44L100RSB		
136,44		45	1F	135,68	152	12	40	60,0	32,0	35,0	2,40	PHP 45L100RSB		
145,53		48	1F	144,77	152	12	40	60,0	32,0	35,0	2,49	PHP 48L100RSB		
151,60		50	5	150,84	-	12	40	60,0	32,0	35,0	2,68	PHP 50L100RSB		
157,66		52	5	156,90	-	12	40	60,0	32,0	35,0	2,87	PHP 52L100RSB		
169,79		56	5	169,03	-	12	40	60,0	32,0	35,0	3,06	PHP 56L100RSB		
172,82		57	5	172,06	-	12	40	60,0	32,0	35,0	3,25	PHP 57L100RSB		
191,91		60	5	191,15	-	15	45	75,0	32,0	45,0	3,44	PHP 60L100RSB		
218,30		72	5	217,54	-	15	45	75,0	32,0	45,0	3,63	PHP 72L100RSB		
230,43		76	5	229,67	-	15	45	75,0	32,0	45,0	3,82	PHP 76L100RSB		
254,68		84	5	253,92	-	15	45	75,0	32,0	45,0	4,01	PHP 84L100RSB		
283,03	95	5	282,27	-	15	45	75,0	32,0	45,0	4,11	PHP 95L100RSB			
291,06	96	5	290,30	-	15	45	75,0	32,0	45,0	4,20	PHP 96L100RSB			
363,83	120	5	363,07	-	15	70	120,0	32,0	45,0	5,00	PHP 120L100RSB			
H	19,1	56,60	14	1F	55,23	63	10	27	40,0	27,0	40,0	0,50	PHP 14H075RSB	
		60,64	15	1F	59,27	67	10	30	46,0	27,0	40,0	0,55	PHP 15H075RSB	
		64,68	16	1F	63,31	71	10	30	45,0	27,0	40,0	0,60	PHP 16H075RSB	
		68,72	17	1F	67,35	75	10	30	46,0	27,0	40,0	0,70	PHP 17H075RSB	
		72,77	18	1F	71,40	79	12	36	55,0	27,0	40,0	0,80	PHP 18H075RSB	
		76,81	19	1F	75,44	83	12	40	60,0	27,0	40,0	1,00	PHP 19H075RSB	
		80,85	20	1F	79,48	87	12	41	62,0	27,0	40,0	1,10	PHP 20H075RSB	
		84,89	21	1F	83,52	91	12	43	67,0	27,0	40,0	1,20	PHP 21H075RSB	
		88,94	22	1F	87,57	95	12	45	70,0	27,0	40,0	1,40	PHP 22H075RSB	
		92,98	23	1F	91,61	98	12	46	72,0	27,0	40,0	1,50	PHP 23H075RSB	
	97,02	24	1F	95,65	103	12	47	75,0	27,0	40,0	1,60	PHP 24H075RSB		
	101,06	25	1F	99,69	107	12	47	75,0	27,0	40,0	1,70	PHP 25H075RSB		
	105,11	26	1F	103,74	111	15	54	80,0	27,0	40,0	1,80	PHP 26H075RSB		
	109,15	27	1F	107,78	115	15	54	80,0	27,0	40,0	1,90	PHP 27H075RSB		
	113,19	28	1F	111,82	119	15	54	80,0	27,0	40,0	2,00	PHP 28H075RSB		
	117,23	29	1F	115,86	123	15	54	80,0	27,0	40,0	2,05	PHP 29H075RSB		
	121,28	30	1F	119,91	127	15	54	80,0	27,0	40,0	2,10	PHP 30H075RSB		
	125,32	31	1F	123,95	131	15	54	80,0	27,0	40,0	2,15	PHP 31H075RSB		

# Classical timing pulleys

H Pilot bore (RSB)



Section	Belt width	Pitch diameter PD	Number of teeth	Pulley type	Dimensions Outer diameter OD	Dimensions					Mass	Designation		
						A	B Min.	Max.	H	F			L	
-	mm	-	-	-	mm	-	-	-	-	-	kg	-		
H	19,1	129,36	32	1F	127,99	135	15	54	80,0	27,0	40,0	2,20	PHP 32H075RSB	
		133,40	33	1F	132,03	142	15	54	80,0	27,0	40,0	2,25	PHP 33H075RSB	
		137,45	34	1F	136,08	142	15	54	80,0	27,0	40,0	2,30	PHP 34H075RSB	
		141,49	35	1F	140,12	151	15	54	80,0	27,0	40,0	2,35	PHP 35H075RSB	
		145,53	36	1F	144,16	151	20	54	80,0	27,0	40,0	2,40	PHP 36H075RSB	
		153,62	38	1F	152,25	158	20	54	80,0	27,0	40,0	2,60	PHP 38H075RSB	
	161,70	40	1F	160,33	168	20	54	80,0	27,0	40,0	2,80	PHP 40H075RSB		
	169,79	42	1F	168,42	184	20	54	80,0	27,0	40,0	2,90	PHP 42H075RSB		
	177,87	44	5F	176,50	184	20	48	80,0	27,0	40,0	2,70	PHP 44H075RSB		
	181,91	45	5F	180,54	192	20	54	90,0	27,0	45,0	2,85	PHP 45H075RSB		
	194,04	48	5F	192,67	200	20	54	90,0	27,0	45,0	3,00	PHP 48H075RSB		
	202,13	50	5	200,76	-	20	54	90,0	27,0	45,0	3,25	PHP 50H075RSB		
	H	19,1 and 25,4	56,60	14	1F	55,23	63	10	27	40,0	33,3	45,0	0,65	PHP 14H100RSB
			60,64	15	1F	59,27	67	10	30	46,0	33,3	45,0	0,75	PHP 15H100RSB
			64,67	16	1F	63,30	71	10	30	46,0	33,3	45,0	0,85	PHP 16H100RSB
			68,72	17	1F	67,35	75	10	30	46,0	33,3	45,0	0,97	PHP 17H100RSB
			72,77	18	1F	71,40	79	12	30	55,0	33,3	45,0	1,10	PHP 18H100RSB
			76,81	19	1F	75,44	83	12	36	60,0	33,3	45,0	1,20	PHP 19H100RSB
80,85			20	1F	79,48	87	12	41	62,0	33,3	45,0	1,40	PHP 20H100RSB	
84,89			21	1F	83,52	91	12	43	67,0	33,3	45,0	1,60	PHP 21H100RSB	
88,94			22	1F	87,57	95	12	45	70,0	33,3	45,0	1,70	PHP 22H100RSB	
92,98			23	1F	91,61	98	12	46	72,0	33,3	45,0	1,83	PHP 23H100RSB	
97,03			24	1F	95,66	103	12	47	75,0	33,3	45,0	1,95	PHP 24H100RSB	
101,06			25	1F	99,69	107	12	47	75,0	33,3	45,0	2,19	PHP 25H100RSB	
105,11			26	1F	103,74	111	15	54	80,0	33,3	45,0	2,43	PHP 26H100RSB	
109,15			27	1F	107,78	115	15	54	80,0	33,3	45,0	2,57	PHP 27H100RSB	
113,18			28	1F	111,81	119	15	54	80,0	33,3	45,0	2,70	PHP 28H100RSB	
117,23			29	1F	115,86	123	15	54	80,0	33,3	45,0	2,95	PHP 29H100RSB	
121,29			30	1F	119,92	127	15	54	80,0	33,3	45,0	3,20	PHP 30H100RSB	
125,32			31	1F	123,95	131	15	54	80,0	33,3	45,0	3,35	PHP 31H100RSB	
129,36			32	1F	127,99	135	20	54	80,0	33,3	45,0	3,50	PHP 32H100RSB	
133,40			33	1F	132,03	142	20	54	80,0	33,3	45,0	3,78	PHP 33H100RSB	
137,45			34	1F	136,08	142	20	54	80,0	33,3	45,0	4,05	PHP 34H100RSB	
141,49			35	1F	140,12	151	20	54	80,0	33,3	45,0	4,35	PHP 35H100RSB	
145,53			36	1F	144,16	151	20	54	80,0	33,3	45,0	4,65	PHP 36H100RSB	
153,62			38	1F	152,25	158	20	54	80,0	33,3	45,0	4,98	PHP 38H100RSB	
161,70			40	1F	160,33	168	20	54	80,0	33,3	45,0	5,30	PHP 40H100RSB	
169,79			42	1F	168,42	184	20	54	80,0	33,3	45,0	5,50	PHP 42H100RSB	
177,87			44	5F	176,50	184	20	48	80,0	33,3	50,0	4,00	PHP 44H100RSB	
181,91			45	5F	180,54	192	20	54	80,0	33,3	50,0	4,25	PHP 45H100RSB	
194,03			48	5F	192,66	200	20	54	90,0	33,3	50,0	4,50	PHP 48H100RSB	
202,13			50	5	200,76	-	20	54	90,0	33,3	50,0	4,94	PHP 50H100RSB	
210,21	52	5	208,84	-	20	54	90,0	33,3	50,0	5,38	PHP 52H100RSB			
230,42	57	5	229,05	-	20	54	90,0	33,3	50,0	5,82	PHP 57H100RSB			
234,47	58	5	233,10	-	20	54	90,0	33,3	50,0	5,82	PHP 58H100RSB			
242,55	60	5	241,18	-	20	70	120,0	33,3	50,0	6,25	PHP 60H100RSB			
282,98	70	5	281,61	-	20	70	120,0	33,3	55,0	7,55	PHP 70H100RSB			
291,06	72	5	289,69	-	20	70	120,0	33,3	55,0	8,85	PHP 72H100RSB			
307,23	76	5	305,86	-	20	70	120,0	33,3	55,0	9,43	PHP 76H100RSB			
339,57	84	5	338,20	-	20	70	120,0	33,3	55,0	10,00	PHP 84H100RSB			
388,08	96	5	386,71	-	24	70	120,0	33,3	60,0	10,48	PHP 96H100RSB			
485,10	120	5	483,73	-	24	70	120,0	33,3	60,0	13,10	PHP 120H100RSB			
630,63	156	5	629,26	-	24	70	130,0	33,3	60,0	17,20	PHP 156H100RSB			



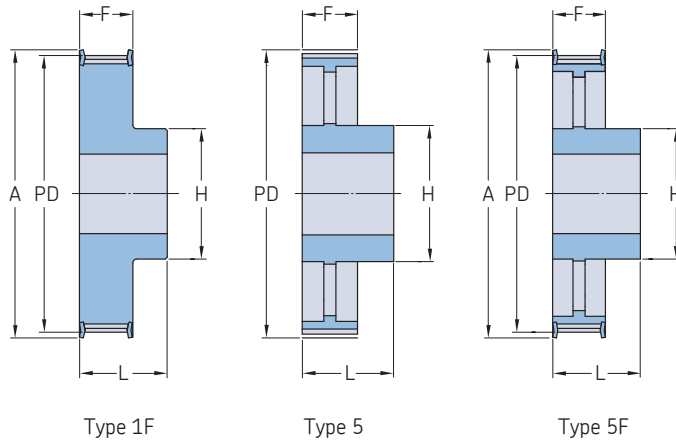
# Classical timing pulleys

H Pilot bore (RSB)

Section	Belt width	Pitch diameter	Number of teeth	Pulley type	Dimensions							Mass	Designation		
					Outer diameter OD	A	B Min.	Max.	H	F	L				
-	mm	PD	-	-	mm							kg	-		
H	38,1	56,60	14	1F	55,23	63	12	27	40,0	46,0	58,0	0,82	PHP 14H150RSB		
		60,64	15	1F	59,27	67	12	30	46,0	46,0	58,0	0,96	PHP 15H150RSB		
		64,67	16	1F	63,30	71	12	30	46,0	46,0	58,0	1,10	PHP 16H150RSB		
		68,72	17	1F	67,35	75	12	30	46,0	46,0	58,0	1,30	PHP 17H150RSB		
		72,77	18	1F	71,40	79	12	30	55,0	46,0	58,0	1,50	PHP 18H150RSB		
		76,81	19	1F	75,44	83	12	36	60,0	46,0	58,0	1,70	PHP 19H150RSB		
		80,85	20	1F	79,48	87	12	41	62,0	46,0	58,0	1,80	PHP 20H150RSB		
		84,89	21	1F	83,52	91	12	43	67,0	46,0	58,0	2,20	PHP 21H150RSB		
		88,94	22	1F	87,57	95	12	45	70,0	46,0	58,0	2,30	PHP 22H150RSB		
		92,98	23	1F	91,61	98	12	46	72,0	46,0	58,0	2,45	PHP 23H150RSB		
		97,03	24	1F	95,66	103	12	47	75,0	46,0	58,0	2,60	PHP 24H150RSB		
		101,06	25	1F	99,69	107	12	47	75,0	46,0	58,0	2,90	PHP 25H150RSB		
		105,11	26	1F	103,74	111	15	54	80,0	46,0	58,0	3,20	PHP 26H150RSB		
		109,15	27	1F	107,78	115	15	54	80,0	46,0	58,0	3,30	PHP 27H150RSB		
		113,18	28	1F	111,81	119	15	54	80,0	46,0	58,0	3,39	PHP 28H150RSB		
		117,23	29	1F	115,86	123	15	54	80,0	46,0	58,0	3,75	PHP 29H150RSB		
		121,29	30	1F	119,92	127	15	54	80,0	46,0	58,0	4,10	PHP 30H150RSB		
		125,32	31	1F	123,95	131	15	54	80,0	46,0	58,0	4,43	PHP 31H150RSB		
		129,36	32	1F	127,99	135	20	54	80,0	46,0	58,0	4,77	PHP 32H150RSB		
		133,40	33	1F	132,03	142	20	54	80,0	46,0	58,0	5,08	PHP 33H150RSB		
		137,45	34	1F	136,08	142	20	54	80,0	46,0	58,0	5,40	PHP 34H150RSB		
		141,49	35	1F	140,12	151	20	54	80,0	46,0	58,0	5,71	PHP 35H150RSB		
		145,53	36	1F	144,16	151	20	54	80,0	46,0	58,0	6,02	PHP 36H150RSB		
		153,62	38	1F	152,25	158	20	54	80,0	46,0	58,0	6,76	PHP 38H150RSB		
		161,70	40	1F	160,33	168	20	54	80,0	46,0	58,0	7,50	PHP 40H150RSB		
		169,79	42	1F	168,42	184	20	54	80,0	46,0	58,0	8,00	PHP 42H150RSB		
		177,87	44	5F	176,50	184	20	48	80,0	46,0	58,0	5,00	PHP 44H150RSB		
		181,91	45	5F	180,54	192	20	48	80,0	46,0	58,0	5,05	PHP 45H150RSB		
		194,03	48	5F	192,66	200	20	54	90,0	46,0	65,0	5,10	PHP 48H150RSB		
		202,13	50	5	200,76	-	20	54	90,0	46,0	65,0	5,75	PHP 50H150RSB		
		210,21	52	5	208,84	-	20	54	90,0	46,0	65,0	6,40	PHP 52H150RSB		
		230,43	57	5	229,06	-	20	54	90,0	46,0	65,0	6,75	PHP 57H150RSB		
		234,47	58	5	233,10	-	20	54	90,0	46,0	65,0	7,05	PHP 58H150RSB		
		242,55	60	5	241,18	-	20	70	120,0	46,0	65,0	7,70	PHP 60H150RSB		
		282,98	70	5	281,61	-	20	70	120,0	46,0	65,0	8,20	PHP 70H150RSB		
		291,06	72	5	289,69	-	20	70	120,0	46,0	65,0	8,70	PHP 72H150RSB		
		307,23	76	5	305,86	-	20	70	120,0	46,0	65,0	9,67	PHP 76H150RSB		
		339,57	84	5	338,20	-	20	70	120,0	46,0	65,0	10,64	PHP 84H150RSB		
		388,08	96	5	386,71	-	24	70	120,0	46,0	65,0	13,40	PHP 96H150RSB		
		485,10	120	5	483,73	-	24	70	120,0	46,0	65,0	15,70	PHP 120H150RSB		
		630,63	156	5	629,26	-	24	70	130,0	46,0	65,0	19,10	PHP 156H150RSB		
		H	50,8	56,60	14	1F	55,23	63	12	27	40,0	59,5	70,0	1,25	PHP 14H200RSB
				60,64	15	1F	59,27	67	12	30	46,0	59,5	70,0	1,33	PHP 15H200RSB
				64,67	16	1F	63,30	71	12	30	46,0	59,5	70,0	1,40	PHP 16H200RSB
				68,72	17	1F	67,35	75	12	30	46,0	59,5	70,0	1,67	PHP 17H200RSB
				72,77	18	1F	71,40	79	12	30	55,0	59,5	70,0	1,94	PHP 18H200RSB
				76,81	19	1F	75,44	83	12	36	60,0	59,5	70,0	2,18	PHP 19H200RSB
				80,85	20	1F	79,48	87	12	41	62,0	59,5	70,0	2,43	PHP 20H200RSB
				84,89	21	1F	83,52	91	12	43	67,0	59,5	70,0	2,60	PHP 21H200RSB
				88,94	22	1F	87,57	95	12	45	70,0	59,5	70,0	2,80	PHP 22H200RSB
92,98	23			1F	91,61	98	12	46	72,0	59,5	70,0	2,89	PHP 23H200RSB		
97,03	24			1F	95,66	103	12	47	75,0	59,5	70,0	2,97	PHP 24H200RSB		
101,06	25			1F	99,69	107	12	47	75,0	59,5	70,0	2,89	PHP 25H200RSB		
105,11	26			1F	103,74	111	15	54	80,0	59,5	70,0	3,90	PHP 26H200RSB		
109,15	27			1F	107,78	115	15	54	80,0	59,5	70,0	3,44	PHP 27H200RSB		
113,18	28			1F	111,81	119	15	54	80,0	59,5	70,0	4,60	PHP 28H200RSB		
117,23	29			1F	115,86	123	15	54	80,0	59,5	70,0	4,80	PHP 29H200RSB		
121,29	30			1F	119,92	127	15	54	80,0	59,5	70,0	5,00	PHP 30H200RSB		
125,32	31			1F	123,95	131	15	54	80,0	59,5	70,0	5,47	PHP 31H200RSB		
129,36	32			1F	127,99	135	20	54	80,0	59,5	70,0	5,93	PHP 32H200RSB		
133,40	33			1F	132,03	142	20	54	80,0	59,5	70,0	6,33	PHP 33H200RSB		
137,45	34			1F	136,08	142	20	54	80,0	59,5	70,0	6,73	PHP 34H200RSB		
141,49	35			1F	140,12	151	20	54	80,0	59,5	70,0	7,13	PHP 35H200RSB		
145,53	36			1F	144,16	151	20	54	80,0	59,5	70,0	7,53	PHP 36H200RSB		
153,62	38			1F	152,25	158	20	54	80,0	59,5	70,0	8,32	PHP 38H200RSB		
161,70	40			1F	160,33	168	20	54	80,0	59,5	70,0	9,11	PHP 40H200RSB		
169,79	42			1F	168,42	184	20	54	80,0	59,5	70,0	9,70	PHP 42H200RSB		
177,87	44			5F	176,50	184	20	48	80,0	59,5	70,0	5,00	PHP 44H200RSB		
181,91	45			5F	180,54	192	20	48	80,0	59,5	70,0	5,37	PHP 45H200RSB		
194,03	48			5F	192,66	200	20	54	90,0	59,5	75,0	5,73	PHP 48H200RSB		
202,13	50			5	200,76	-	20	54	90,0	59,5	75,0	6,62	PHP 50H200RSB		
210,21	52			5	208,84	-	20	54	90,0	59,5	75,0	7,50	PHP 52H200RSB		
230,43	57			5	229,06	-	20	54	90,0	59,5	75,0	8,76	PHP 57H200RSB		

# Classical timing pulleys

H Pilot bore (RSB) | XH Pilot bore (RSB)



Section	Belt width	Pitch diameter PD	Number of teeth	Pulley type	Dimensions							Mass	Designation
					Outer diameter OD	A	B Min.	Max.	H	F	L		
		mm	-	-	mm							kg	-
H	50,8	234,47	58	5	233,10	-	20	54	90,0	59,5	75,0	8,39	PHP 58H200RSB
		242,55	60	5	241,18	-	20	70	120,0	59,5	75,0	9,27	PHP 60H200RSB
		282,98	70	5	281,61	-	20	70	120,0	59,5	75,0	9,80	PHP 70H200RSB
		291,06	72	5	289,69	-	20	70	120,0	59,5	75,0	10,32	PHP 72H200RSB
		307,23	76	5	305,86	-	20	70	120,0	59,5	75,0	11,41	PHP 76H200RSB
		339,57	84	5	338,20	-	20	70	120,0	59,5	75,0	12,50	PHP 84H200RSB
		388,08	96	5	386,71	-	24	70	120,0	59,5	75,0	14,00	PHP 96H200RSB
		485,10	120	5	483,73	-	24	70	120,0	59,5	75,0	18,10	PHP 120H200RSB
		630,63	156	5	629,26	-	24	70	130,0	59,5	75,0	22,00	PHP 156H200RSB
		56,60	14	1F	55,23	63	14	27	40,0	85,5	100,0	1,80	PHP 14H300RSB
		60,64	15	1F	59,27	67	14	30	46,0	85,5	100,0	1,90	PHP 15H300RSB
		64,67	16	1F	63,30	71	14	30	46,0	85,5	100,0	2,00	PHP 16H300RSB
		68,72	17	1F	67,35	75	14	30	46,0	85,5	100,0	2,24	PHP 17H300RSB
		72,77	18	1F	71,40	79	14	30	55,0	85,5	100,0	2,47	PHP 18H300RSB
		76,81	19	1F	75,44	83	14	36	60,0	85,5	100,0	2,90	PHP 19H300RSB
80,85	20	1F	79,48	87	15	41	62,0	85,5	100,0	3,20	PHP 20H300RSB		
84,89	21	1F	83,52	91	15	43	67,0	85,5	100,0	3,60	PHP 21H300RSB		
88,94	22	1F	87,57	95	15	45	70,0	85,5	100,0	4,00	PHP 22H300RSB		
92,98	23	1F	91,61	98	15	46	72,0	85,5	100,0	4,35	PHP 23H300RSB		
97,03	24	1F	95,66	103	15	47	75,0	85,5	100,0	4,70	PHP 24H300RSB		
101,06	25	1F	99,69	107	15	47	75,0	85,5	100,0	5,24	PHP 25H300RSB		
105,11	26	1F	103,74	111	15	54	80,0	85,5	100,0	5,78	PHP 26H300RSB		
109,15	27	1F	107,78	115	15	54	80,0	85,5	100,0	6,16	PHP 27H300RSB		
113,18	28	1F	111,81	119	15	54	80,0	85,5	100,0	6,54	PHP 28H300RSB		
117,23	29	1F	115,86	123	15	54	80,0	85,5	100,0	6,77	PHP 29H300RSB		
121,29	30	1F	119,92	127	15	54	80,0	85,5	100,0	7,00	PHP 30H300RSB		
125,32	31	1F	123,95	131	15	54	80,0	85,5	100,0	7,83	PHP 31H300RSB		
129,36	32	1F	127,99	135	20	54	80,0	85,5	100,0	8,66	PHP 32H300RSB		
133,40	33	1F	132,03	142	20	54	80,0	85,5	100,0	9,23	PHP 33H300RSB		
137,45	34	1F	136,08	142	20	54	80,0	85,5	100,0	9,79	PHP 34H300RSB		
141,47	35	1F	140,10	151	20	54	80,0	85,5	100,0	10,36	PHP 35H300RSB		
145,53	36	1F	144,16	151	20	54	80,0	85,5	100,0	10,92	PHP 36H300RSB		
153,62	38	1F	152,25	158	20	54	80,0	85,5	100,0	12,20	PHP 38H300RSB		
161,70	40	1F	160,33	168	20	54	80,0	85,5	100,0	13,50	PHP 40H300RSB		
169,79	42	1F	168,42	184	20	54	80,0	85,5	100,0	14,50	PHP 42H300RSB		
177,87	44	5F	176,50	184	20	48	80,0	85,5	100,0	8,06	PHP 44H300RSB		
194,03	48	5F	192,66	200	20	54	90,0	85,5	100,0	9,67	PHP 48H300RSB		
202,13	50	5	200,76	-	20	54	90,0	85,5	100,0	10,87	PHP 50H300RSB		
230,43	57	5	229,06	-	20	54	90,0	85,5	100,0	11,92	PHP 57H300RSB		
234,47	58	5	233,10	-	20	54	90,0	85,5	100,0	12,07	PHP 58H300RSB		
242,55	60	5	241,18	-	20	70	120,0	85,5	100,0	13,30	PHP 60H300RSB		
291,06	72	5	289,69	-	20	70	120,0	85,5	100,0	15,70	PHP 72H300RSB		
307,24	76	5	305,87	-	20	70	120,0	85,5	100,0	16,17	PHP 76H300RSB		
339,57	84	5	338,20	-	20	70	120,0	85,5	100,0	17,10	PHP 84H300RSB		
388,09	96	5	386,72	-	24	70	120,0	85,5	100,0	20,40	PHP 96H300RSB		
485,12	120	5	483,75	-	24	70	120,0	85,5	100,0	27,80	PHP 120H300RSB		
630,63	156	5	629,26	-	24	70	130,0	85,5	100,0	35,00	PHP 156H300RSB		
XH	50,8	127,34	18	1F	124,54	141	24	67	100,0	65,1	80,0	5,00	PHP 18XH200RSB
		134,41	19	1F	131,61	146	24	67	100,0	65,1	80,0	5,50	PHP 19XH200RSB
		141,49	20	1F	138,69	155	24	67	100,0	65,1	80,0	6,00	PHP 20XH200RSB
		148,56	21	1F	145,76	169	24	73	110,0	65,1	80,0	6,60	PHP 21XH200RSB
		155,64	22	1F	152,84	169	24	73	110,0	65,1	80,0	7,20	PHP 22XH200RSB
		169,79	24	1F	166,99	183	24	80	120,0	65,1	80,0	8,60	PHP 24XH200RSB

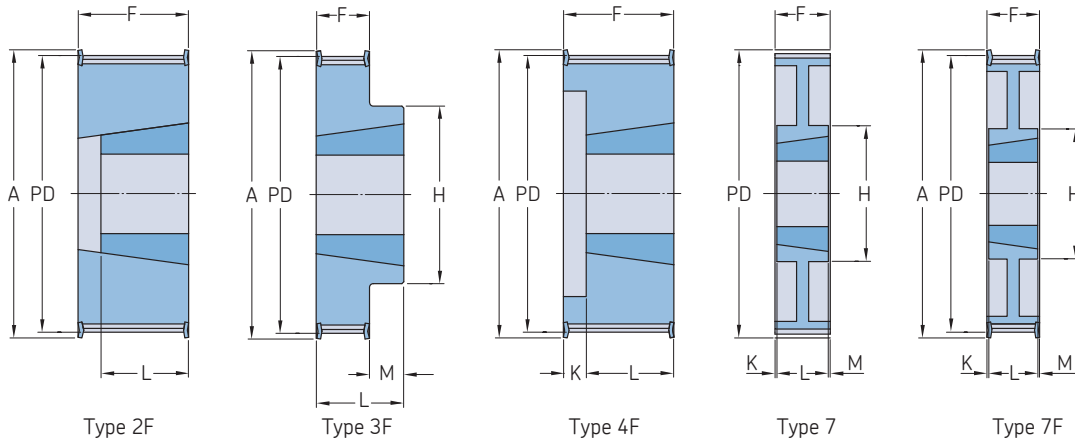
# Classical timing pulleys

XH Pilot bore (RSB)

Section	Belt width	Pitch diameter	Number of teeth	Pulley type	Dimensions						Mass	Designation			
					Outer diameter OD	A	B Min.	Max.	H	F			L		
-	mm	PD	-	-	mm						kg	-			
XH	50,8	176,86	25	1F	174,06	198	24	80	120,0	65,1	80,0	9,40	PHP 25XH200RSB		
		183,93	26	1F	181,13	198	24	80	120,0	65,1	80,0	9,70	PHP 26XH200RSB		
		191,01	27	1F	188,21	212	24	80	120,0	65,1	80,0	9,90	PHP 27XH200RSB		
		198,09	28	1F	195,29	212	24	80	120,0	65,1	80,0	10,00	PHP 28XH200RSB		
		212,23	30	1F	209,43	226	24	80	120,0	65,1	80,0	10,40	PHP 30XH200RSB		
		226,38	32	1F	223,58	240	24	80	120,0	65,1	80,0	11,20	PHP 32XH200RSB		
		240,53	34	1F	237,73	256	24	80	120,0	65,1	80,0	12,60	PHP 34XH200RSB		
		268,83	38	5	266,03	-	28	100	150,0	65,1	80,0	14,60	PHP 38XH200RSB		
		282,98	40	5	280,18	-	28	100	150,0	65,1	100,0	16,00	PHP 40XH200RSB		
		339,57	48	5	336,77	-	28	100	150,0	65,1	100,0	18,40	PHP 48XH200RSB		
		424,47	60	5	421,67	-	28	100	150,0	65,1	100,0	24,30	PHP 60XH200RSB		
		XH	76,2	127,34	18	1F	124,54	141	28	67	100,0	92,1	110,0	6,80	PHP 18XH300RSB
				134,41	19	1F	131,61	146	28	67	100,0	92,1	110,0	7,10	PHP 19XH300RSB
				141,49	20	1F	138,69	155	28	67	100,0	92,1	110,0	7,40	PHP 20XH300RSB
				148,56	21	1F	145,76	169	28	73	110,0	92,1	110,0	8,20	PHP 21XH300RSB
155,64	22			1F	152,84	169	28	73	110,0	92,1	110,0	9,00	PHP 22XH300RSB		
169,79	24			1F	166,99	183	28	80	120,0	92,1	110,0	10,60	PHP 24XH300RSB		
176,86	25			1F	174,06	198	28	80	120,0	92,1	110,0	11,80	PHP 25XH300RSB		
183,93	26			1F	181,13	198	28	80	120,0	92,1	110,0	12,00	PHP 26XH300RSB		
191,01	27			1F	188,21	212	28	80	120,0	92,1	110,0	12,50	PHP 27XH300RSB		
198,09	28			1F	195,29	212	28	80	150,0	92,1	110,0	13,00	PHP 28XH300RSB		
212,23	30			1F	209,43	226	28	80	150,0	92,1	110,0	13,75	PHP 30XH300RSB		
226,38	32			1F	223,58	240	28	80	150,0	92,1	110,0	14,70	PHP 32XH300RSB		
240,53	34			1F	237,73	256	28	80	150,0	92,1	110,0	16,30	PHP 34XH300RSB		
268,83	38			5	266,03	-	32	100	150,0	92,1	120,0	18,30	PHP 38XH300RSB		
282,98	40			5	280,18	-	32	100	150,0	92,1	120,0	19,90	PHP 40XH300RSB		
339,57	48	5	336,77	-	32	100	175,0	92,1	120,0	22,50	PHP 48XH300RSB				
424,47	60	5	421,67	-	32	100	175,0	92,1	120,0	31,50	PHP 60XH300RSB				
XH	101,6	127,34	18	1F	124,54	141	32	67	100,0	119,0	132,0	8,50	PHP 18XH400RSB		
		134,41	19	1F	131,61	146	32	67	100,0	119,0	132,0	9,00	PHP 19XH400RSB		
		141,49	20	1F	138,69	155	32	67	100,0	119,0	132,0	9,40	PHP 20XH400RSB		
		148,56	21	1F	145,76	169	32	73	110,0	119,0	132,0	10,50	PHP 21XH400RSB		
		155,64	22	1F	152,84	169	32	73	110,0	119,0	132,0	11,50	PHP 22XH400RSB		
		169,79	24	1F	166,99	183	32	80	120,0	119,0	132,0	13,40	PHP 24XH400RSB		
		176,86	25	1F	174,06	198	32	80	120,0	119,0	132,0	14,50	PHP 25XH400RSB		
		183,93	26	1F	181,13	198	32	80	120,0	119,0	132,0	15,60	PHP 26XH400RSB		
		191,01	27	1F	188,21	212	32	80	120,0	119,0	132,0	15,10	PHP 27XH400RSB		
		198,09	28	1F	195,29	212	32	100	150,0	119,0	132,0	14,50	PHP 28XH400RSB		
		212,23	30	1F	209,43	227	32	100	150,0	119,0	132,0	16,00	PHP 30XH400RSB		
		226,38	32	1F	223,58	240	32	100	150,0	119,0	132,0	18,00	PHP 32XH400RSB		
		240,53	34	1F	237,73	256	32	100	150,0	119,0	132,0	20,00	PHP 34XH400RSB		
		268,83	38	5	266,03	-	32	100	150,0	119,0	132,0	22,00	PHP 38XH400RSB		
		282,98	40	5	280,18	-	32	100	150,0	119,0	132,0	24,00	PHP 40XH400RSB		
339,57	48	5	336,77	-	32	110	175,0	119,0	132,0	30,80	PHP 48XH400RSB				
424,47	60	5	421,67	-	32	110	175,0	119,0	132,0	36,20	PHP 60XH400RSB				

# Classical timing pulleys

## L Taper bushed

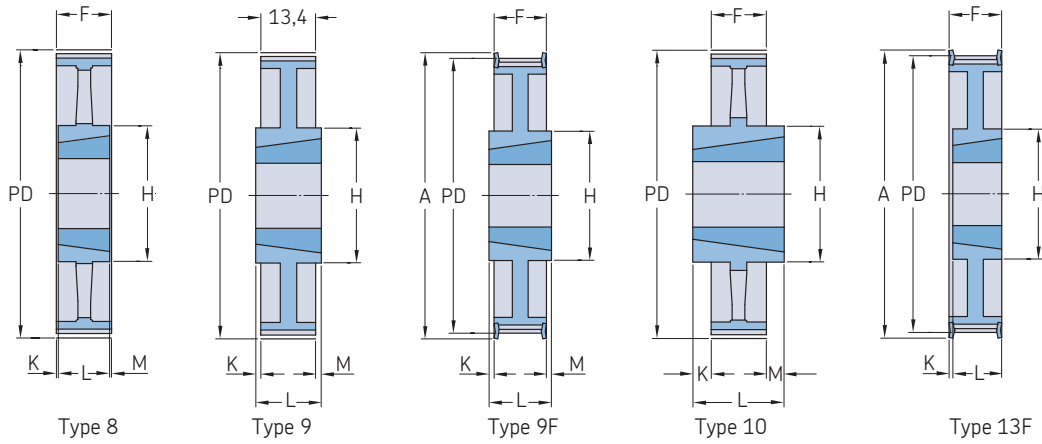


Section	Belt width	Pitch diameter	Number of teeth	Pulley type	Bushing number	Dimensions								Mass <sup>1)</sup>	Designation		
						Outer diameter OD	A	B Min.	Max.	F	K	L	M			H	
		mm	-	-	-	mm								kg	-		
L	12,7	54,57	18	3F	1108	53,81	60	9	28	19,1	-	22	3,0	45	0,18	PHP 18L050TB	
		57,61	19	3F	1108	56,85	63	9	28	19,1	-	22	3,0	45	0,21	PHP 19L050TB	
		60,64	20	3F	1108	59,88	66	9	28	19,1	-	22	3,0	47	0,24	PHP 20L050TB	
		63,67	21	3F	1108	62,91	69	9	28	19,1	-	22	3,0	49	0,30	PHP 21L050TB	
		66,70	22	3F	1108	65,94	72	9	28	19,1	-	22	3,0	53	0,36	PHP 22L050TB	
		69,73	23	3F	1108	68,97	78	9	28	19,1	-	22	3,0	54	0,39	PHP 23L050TB	
		72,77	24	3F	1108	72,01	78	9	28	19,1	-	22	3,0	54	0,42	PHP 24L050TB	
		75,80	25	3F	1108	75,04	85	9	28	19,1	-	22	3,0	56	0,49	PHP 25L050TB	
		78,83	26	3F	1108	78,07	85	9	28	19,1	-	22	3,0	60	0,54	PHP 26L050TB	
		81,86	27	3F	1108	81,10	91	9	28	19,1	-	22	3,0	62	0,61	PHP 27L050TB	
		84,89	28	3F	1108	84,13	91	9	28	19,1	-	22	3,0	63	0,64	PHP 28L050TB	
		90,06	30	3F	1108	89,30	97	9	28	19,1	-	22	3,0	70	0,77	PHP 30L050TB	
	97,02	32	3F	1108	96,26	103	9	28	19,1	-	22	3,0	74	0,89	PHP 32L050TB		
	109,15	36	3F	1108	108,39	115	9	28	19,1	-	22	3,0	85	1,18	PHP 36L050TB		
	121,28	40	3F	1610	120,52	127	14	42	19,1	-	25	6,0	90	1,35	PHP 40L050TB		
	133,40	44	3F	1610	132,64	139	14	42	19,1	-	25	6,0	90	1,60	PHP 44L050TB		
	145,53	48	9F	1610	144,77	152	14	42	19,1	-	25	6,0	92	1,80	PHP 48L050TB		
	181,91	60	9	1610	181,15	-	14	42	19,1	3,0	25	3,0	92	2,46	PHP 60L050TB		
	218,30	72	9	1610	217,54	-	14	42	19,1	3,0	25	3,0	92	3,29	PHP 72L050TB		
	254,68	84	9	1610	253,92	-	14	42	19,1	3,0	25	3,0	92	4,12	PHP 84L050TB		
	291,06	96	9	2012	290,30	-	14	50	19,1	6,5	32	6,5	111	4,55	PHP 96L050TB		
	363,83	120	9	2012	363,07	-	14	50	19,1	6,5	32	6,5	111	5,71	PHP 120L050TB		
	L	19,1	54,57	18	2F	1108	53,81	60	9	28	25,4	-	25	-	-	0,20	PHP 18L075TB
			57,61	19	2F	1108	56,85	63	9	28	25,4	-	25	-	-	0,30	PHP 19L075TB
60,64			20	2F	1108	59,88	66	9	28	25,4	-	25	-	-	0,30	PHP 20L075TB	
63,67			21	2F	1108	62,91	69	9	28	25,4	-	25	-	-	0,40	PHP 21L075TB	
66,70			22	2F	1108	65,94	72	9	28	25,4	-	25	-	-	0,40	PHP 22L075TB	
69,73			23	2F	1108	68,97	78	9	28	25,4	-	25	-	-	0,50	PHP 23L075TB	
72,77			24	2F	1108	72,01	78	9	28	25,4	-	25	-	-	0,50	PHP 24L075TB	
75,80			25	2F	1108	75,04	85	9	28	25,4	-	25	-	-	0,60	PHP 25L075TB	
78,83			26	2F	1108	78,07	85	9	28	25,4	-	25	-	-	0,70	PHP 26L075TB	
81,86			27	2F	1108	81,10	91	9	28	25,4	-	25	-	-	0,70	PHP 27L075TB	
84,89			28	2F	1108	84,13	91	9	28	25,4	-	25	-	-	0,80	PHP 28L075TB	
90,06			30	2F	1108	90,20	97	9	28	25,4	-	25	-	-	1,00	PHP 30L075TB	
97,02		32	2F	1108	96,26	103	9	28	25,4	-	25	-	-	1,10	PHP 32L075TB		
109,15		36	2F	1610	108,39	115	14	42	25,4	-	25	-	-	1,20	PHP 36L075TB		
121,28		40	2F	1610	120,52	127	14	42	25,4	-	25	-	-	1,60	PHP 40L075TB		
133,40		44	2F	1610	132,64	139	14	42	25,4	-	25	-	-	1,90	PHP 44L075TB		
145,53		48	7F	1610	144,77	152	14	42	25,4	-	25	-	92	2,20	PHP 48L075TB		
181,91		60	7	1610	181,15	-	14	42	25,4	-	25	-	92	3,00	PHP 60L075TB		
218,30		72	8	1610	217,54	-	14	42	25,4	-	25	-	92	4,00	PHP 72L075TB		
254,68		84	9	2012	253,92	-	14	50	25,4	3,5	32	3,5	106	5,20	PHP 84L075TB		
291,06		96	9	2012	290,30	-	14	50	25,4	3,5	32	3,5	106	6,50	PHP 96L075TB		
363,83		120	9	2012	363,07	-	14	50	25,4	3,5	32	3,5	106	7,60	PHP 120L075TB		
L		25,4	54,57	18	4F	1108	53,81	60	9	28	31,8	10,0	22	-	-	0,27	PHP 18L100TB
			57,61	19	4F	1108	56,85	63	9	28	31,8	10,0	22	-	-	0,30	PHP 19L100TB
	60,64		20	4F	1108	59,88	66	9	28	31,8	10,0	22	-	-	0,36	PHP 20L100TB	
	63,67		21	4F	1108	62,91	69	9	28	31,8	10,0	22	-	-	0,44	PHP 21L100TB	
	66,70		22	4F	1108	65,94	72	9	28	31,8	10,0	22	-	-	0,51	PHP 22L100TB	
	69,73		23	4F	1108	68,97	78	9	28	31,8	10,0	22	-	-	0,54	PHP 23L100TB	
	72,77	24	4F	1108	72,01	78	9	28	31,8	10,0	22	-	-	0,58	PHP 24L100TB		
	75,80	25	4F	1108	75,04	85	9	28	31,8	10,0	22	-	-	0,67	PHP 25L100TB		
	78,83	26	4F	1108	78,07	85	9	28	31,8	10,0	22	-	-	0,72	PHP 26L100TB		

<sup>1)</sup> Mass does not include bushings.

# Classical timing pulleys

L Taper bushed | H Taper bushed

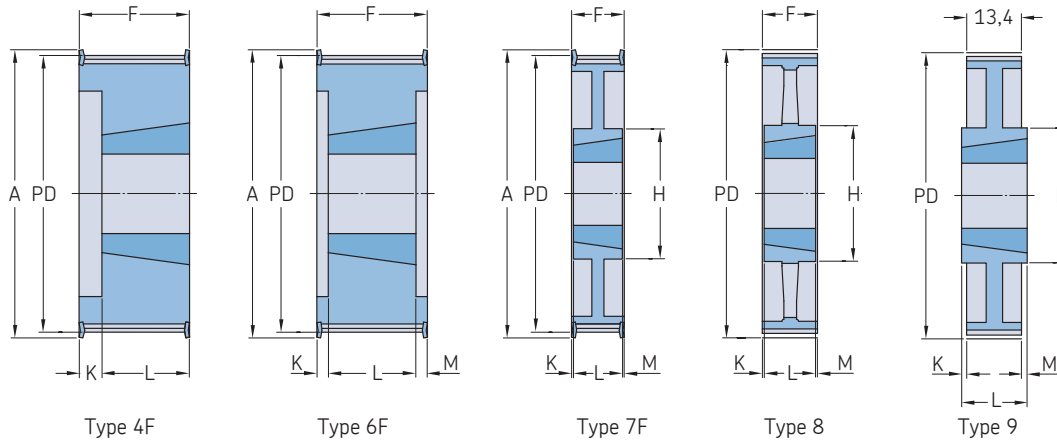


Section	Belt width	Pitch diameter	Number of teeth	Pulley type	Bushing number	Dimensions									Mass <sup>1)</sup>	Designation		
						Outer diameter OD	A	B Min.	Max.	F	K	L	M	H				
-	mm	-	-	-	-	mm	-	-	-	-	-	-	-	-	kg	-		
L	25,4	81,86	27	4F	1108	81,10	91	9	28	31,8	10,0	22	-	-	0,80	PHP 27L100TB		
		84,89	28	4F	1108	84,13	91	9	28	31,8	10,0	22	-	-	0,83	PHP 28L100TB		
		90,96	30	4F	1210	90,20	97	11	32	31,8	7,0	25	-	-	0,94	PHP 30L100TB		
		97,02	32	4F	1210	96,26	103	11	32	31,8	7,0	25	-	-	1,10	PHP 32L100TB		
		109,15	36	4F	1610	108,39	115	14	42	31,8	7,0	25	-	-	1,33	PHP 36L100TB		
		121,28	40	4F	1610	120,52	127	14	42	31,8	7,0	25	-	-	1,70	PHP 40L100TB		
		133,40	44	4F	1610	132,64	139	14	42	31,8	7,0	25	-	-	2,30	PHP 44L100TB		
		145,53	48	13F	1610	144,77	152	14	42	31,8	7,0	25	-	92	2,60	PHP 48L100TB		
		181,91	60	7	1610	181,15	-	14	42	31,8	3,5	25	3,5	92	3,76	PHP 60L100TB		
		218,30	72	10	2012	217,54	-	14	50	31,8	-	32	-	111	4,40	PHP 72L100TB		
		254,68	84	10	2012	253,92	-	14	50	31,8	-	32	-	111	5,87	PHP 84L100TB		
		291,06	96	10	2012	290,30	-	14	50	31,8	-	32	-	111	7,26	PHP 96L100TB		
		363,83	120	10	2012	363,07	-	14	50	31,8	-	32	-	111	8,50	PHP 120L100TB		
		H	19,1	56,60	14	2F	1108	55,23	62	9	28	27,0	-	22	-	-	0,48	PHP 14H075TB
				60,64	15	2F	1108	59,27	67	9	28	27,0	-	22	-	-	0,53	PHP 15H075TB
				64,67	16	2F	1108	63,30	71	9	28	27,0	-	22	-	-	0,57	PHP 16H075TB
68,72	17			2F	1108	67,35	75	9	28	27,0	-	22	-	-	0,67	PHP 17H075TB		
72,77	18			2F	1210	71,40	79	11	32	27,0	-	25	-	-	0,76	PHP 18H075TB		
76,81	19			2F	1210	75,44	83	11	32	27,0	-	25	-	-	0,95	PHP 19H075TB		
80,85	20			2F	1210	79,48	87	11	32	27,0	-	25	-	-	1,05	PHP 20H075TB		
84,89	21			2F	1210	83,52	91	11	32	27,0	-	25	-	-	1,14	PHP 21H075TB		
88,94	22			2F	1210	87,57	95	11	32	27,0	-	25	-	-	1,33	PHP 22H075TB		
92,98	23			2F	1610	91,61	98	14	42	27,0	-	25	-	-	1,43	PHP 23H075TB		
97,02	24			2F	1610	95,65	103	14	42	27,0	-	25	-	-	1,52	PHP 24H075TB		
101,06	25			2F	1610	99,69	107	14	42	27,0	-	25	-	-	1,62	PHP 25H075TB		
105,11	26			2F	1610	103,74	111	14	42	27,0	-	25	-	-	1,71	PHP 26H075TB		
109,15	27			2F	1610	107,78	115	14	42	27,0	-	25	-	-	1,81	PHP 27H075TB		
113,19	28			2F	1610	111,82	119	14	42	27,0	-	25	-	-	1,90	PHP 28H075TB		
117,23	29			2F	1610	115,86	123	14	42	27,0	-	25	-	-	1,95	PHP 29H075TB		
121,28	30			2F	1610	119,91	127	14	42	27,0	-	25	-	-	2,00	PHP 30H075TB		

<sup>1)</sup> Mass does not include bushings.

# Classical timing pulleys

## H Taper bushed

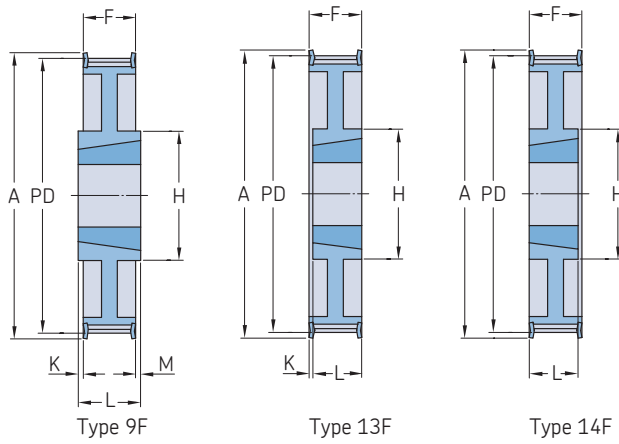


Section	Belt width	Pitch diameter	Number of teeth	Pulley type	Bushing number	Dimensions								Mass <sup>1)</sup>	Designation		
						Outer diameter OD	A	B Min.	Max.	F	K	L	M			H	
		PD	mm													kg	
		mm													kg		
H	19,1	129,36	32	14F	1610	127,99	135	14	42	27,0	-	25	-	92	2,09	PHP 32H075TB	
		133,40	33	14F	1610	132,03	142	14	42	27,0	-	25	-	92	2,14	PHP 33H075TB	
		137,45	34	14F	1610	136,08	142	14	42	27,0	-	25	-	92	2,19	PHP 34H075TB	
		141,49	35	14F	1610	140,12	151	14	42	27,0	-	25	-	92	2,24	PHP 35H075TB	
		145,53	36	14F	1610	144,16	151	14	42	27,0	-	25	-	92	2,28	PHP 36H075TB	
		153,62	38	14F	1610	152,25	158	14	42	27,0	-	25	-	92	2,47	PHP 38H075TB	
	161,70	40	14F	1610	160,33	168	14	42	27,0	-	25	-	92	2,66	PHP 40H075TB		
	177,87	44	9F	2012	176,50	184	14	50	27,0	2,5	32	2,5	106	2,57	PHP 44H075TB		
	194,04	48	9F	2012	192,67	200	14	50	27,0	2,5	32	2,5	106	2,85	PHP 48H075TB		
	242,55	60	9	2012	241,18	-	14	50	27,0	2,5	32	2,5	106	2,90	PHP 60H075TB		
	291,06	72	9	2012	289,69	-	14	50	27,0	2,5	32	2,5	112	3,00	PHP 72H075TB		
	339,57	84	9	2012	338,20	-	14	50	27,0	2,5	32	2,5	112	3,15	PHP 84H075TB		
	388,08	96	9	2517	386,71	-	16	60	27,0	9,0	45	9,0	125	3,50	PHP 96H075TB		
	485,10	120	9	2517	483,73	-	16	60	27,0	9,0	45	9,0	125	4,25	PHP 120H075TB		
	H	25,4	56,60	14	4F	1108	55,23	63	9	28	31,0	9,0	22	-	-	0,30	PHP 14H100TB
			60,60	15	4F	1108	59,23	67	9	28	31,0	9,0	22	-	-	0,40	PHP 15H100TB
			64,70	16	4F	1108	63,33	71	9	28	31,0	9,0	22	-	-	0,40	PHP 16H100TB
			68,70	17	4F	1108	67,33	75	9	28	31,0	9,0	22	-	-	0,50	PHP 17H100TB
			72,80	18	4F	1210	71,43	79	11	32	31,0	6,0	25	-	-	0,50	PHP 18H100TB
			76,80	19	4F	1210	75,43	83	11	32	31,0	6,0	25	-	-	0,60	PHP 19H100TB
80,80			20	4F	1210	79,43	87	11	32	31,0	6,0	25	-	-	0,80	PHP 20H100TB	
84,90			21	4F	1210	83,53	91	11	32	32,0	7,0	25	-	-	0,80	PHP 21H100TB	
88,90			22	4F	1210	87,53	95	11	32	32,0	7,0	25	-	-	0,90	PHP 22H100TB	
93,00			23	4F	1610	91,63	98	14	42	32,0	7,0	25	-	-	0,90	PHP 23H100TB	
97,00		24	4F	1610	95,63	103	14	42	32,0	7,0	25	-	-	1,00	PHP 24H100TB		
101,10		25	4F	1610	99,73	107	14	42	32,0	7,0	25	-	-	1,10	PHP 25H100TB		
105,10		26	4F	1610	103,73	111	14	42	32,0	7,0	25	-	-	1,20	PHP 26H100TB		
109,20		27	4F	1610	107,83	115	14	42	32,0	7,0	25	-	-	1,40	PHP 27H100TB		
113,20		28	4F	1610	111,83	119	14	42	32,0	7,0	25	-	-	1,50	PHP 28H100TB		
121,30		30	4F	1610	119,93	127	14	42	32,0	7,0	25	-	-	1,70	PHP 30H100TB		
129,40		32	13F	1610	128,03	135	14	42	32,0	7,0	25	-	-	92	1,70	PHP 32H100TB	
145,50		36	13F	1610	144,13	151	14	42	32,0	7,0	25	-	-	92	2,30	PHP 36H100TB	
161,70		40	13F	1610	160,33	168	14	42	32,0	7,0	25	-	-	92	2,70	PHP 40H100TB	
177,90		44	14F	2012	176,53	184	14	50	32,0	7,0	32	-	-	106	3,70	PHP 44H100TB	
194,00	48	14F	2012	192,63	200	14	50	32,0	7,0	32	-	-	106	4,70	PHP 48H100TB		
242,60	60	8	2012	241,23	-	14	50	34,0	1,0	32	1,0	106	7,50	PHP 60H100TB			
291,10	72	8	2012	289,73	-	14	50	34,0	1,0	32	1,0	106	8,40	PHP 72H100TB			
339,60	84	8	2012	338,23	-	14	50	34,0	1,0	32	1,0	106	9,00	PHP 84H100TB			
388,10	96	9	2517	386,73	-	16	60	34,0	5,5	45	5,5	124	11,00	PHP 96H100TB			
485,10	120	9	2517	483,73	-	16	60	34,0	5,5	45	5,5	124	14,00	PHP 120H100TB			
H	38,1	56,60	14	4F	1108	55,23	63	9	28	45,0	23,0	22	-	-	0,50	PHP 14H150TB	
		64,67	16	4F	1108	63,30	71	9	28	45,0	23,0	22	-	-	0,60	PHP 16H150TB	
		72,77	18	4F	1210	71,40	79	11	32	45,0	20,0	25	-	-	0,69	PHP 18H150TB	
		76,81	19	4F	1210	75,44	83	11	32	45,0	20,0	25	-	-	0,86	PHP 19H150TB	
		80,85	20	4F	1210	79,48	87	11	32	45,0	20,0	25	-	-	0,98	PHP 20H150TB	
		84,89	21	4F	1210	83,52	91	11	32	45,0	20,0	25	-	-	0,98	PHP 21H150TB	
	88,94	22	4F	1210	87,57	95	11	32	45,0	20,0	25	-	-	1,10	PHP 22H150TB		
	92,98	23	4F	1610	91,61	98	14	42	45,0	20,0	25	-	-	1,16	PHP 23H150TB		
	97,02	24	4F	1610	95,65	103	14	42	45,0	20,0	25	-	-	1,22	PHP 24H150TB		
	101,06	25	4F	1610	99,69	107	14	42	45,0	20,0	25	-	-	1,37	PHP 25H150TB		
	105,11	26	4F	1610	103,74	111	14	42	45,0	20,0	25	-	-	1,51	PHP 26H150TB		
	109,15	27	4F	1610	107,78	115	14	42	45,0	20,0	25	-	-	1,67	PHP 27H150TB		
	113,19	28	4F	1610	111,82	119	14	42	45,0	20,0	25	-	-	1,77	PHP 28H150TB		

<sup>1)</sup> Mass does not include bushings.

# Classical timing pulleys

## H Taper bushed

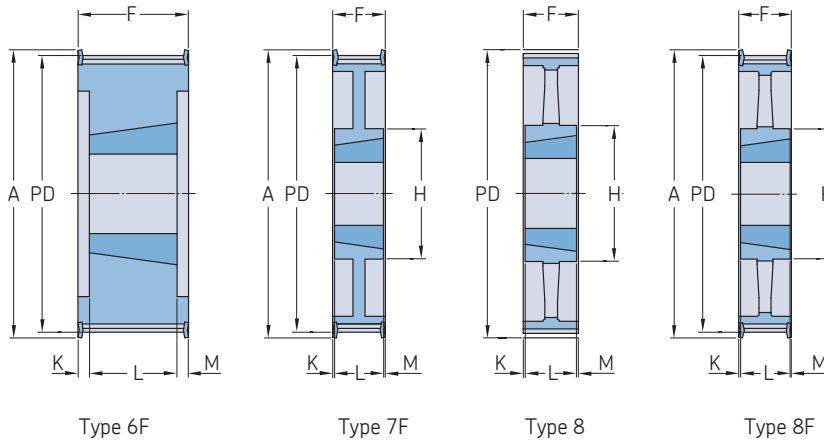


Section	Belt width	Pitch diameter	Number of teeth	Pulley type	Bushing number	Dimensions								Mass <sup>1)</sup>	Designation			
						Outer diameter OD	A	B		F	K	L	M			H		
		PD						Min.	Max.									
		mm	-	-	-	mm								kg	-			
H	38,1	121,28	30	4F	1610	119,91	127	14	42	45,0	20,0	25	-	-	2,05	PHP 30H150TB		
		129,36	32	13F	1610	127,99	135	14	42	45,0	20,0	25	-	92	2,07	PHP 32H150TB		
		145,53	36	13F	1610	144,16	151	14	42	45,0	20,0	25	-	92	2,76	PHP 36H150TB		
		161,70	40	13F	1610	160,33	168	14	42	45,0	20,0	25	-	92	3,34	PHP 40H150TB		
		177,87	44	13F	2012	176,50	184	14	42	45,0	13,0	32	-	106	5,19	PHP 44H150TB		
		194,34	48	13F	2012	192,97	200	14	50	45,0	13,0	32	-	106	5,70	PHP 48H150TB		
		242,55	60	8	2012	241,18	-	14	50	46,0	7,0	32	7,0	106	6,81	PHP 60H150TB		
		291,06	72	8	2012	289,69	-	14	50	46,0	7,0	32	7,0	106	7,79	PHP 72H150TB		
		339,57	84	8	2012	338,20	-	14	50	46,0	7,0	32	7,0	111	9,15	PHP 84H150TB		
		388,08	96	8	2517	386,71	-	16	60	46,0	0,5	45	0,5	124	13,00	PHP 96H150TB		
		485,10	120	8	2517	483,73	-	16	60	46,0	0,5	45	0,5	124	16,80	PHP 120H150TB		
		H	50,8	64,57	16	4F	1108	63,20	71	9	28	58,0	36,0	22	-	-	0,80	PHP 16H200TB
				72,77	18	4F	1210	71,40	79	11	32	58,0	33,0	25	-	-	0,91	PHP 18H200TB
				76,81	19	4F	1210	75,44	83	11	32	58,0	33,0	25	-	-	1,05	PHP 19H200TB
				80,85	20	4F	1610	79,48	87	14	42	58,0	33,0	25	-	-	0,92	PHP 20H200TB
84,89	21			4F	1610	83,52	91	14	42	58,0	33,0	25	-	-	1,04	PHP 21H200TB		
88,94	22			4F	1610	87,57	95	14	42	58,0	33,0	25	-	-	1,18	PHP 22H200TB		
92,98	23			4F	1610	91,61	98	14	42	58,0	33,0	25	-	-	1,28	PHP 23H200TB		
97,02	24			4F	1610	95,65	103	14	42	58,0	33,0	25	-	-	1,37	PHP 24H200TB		
101,06	25			4F	1610	99,69	107	14	42	58,0	33,0	25	-	-	1,59	PHP 25H200TB		
105,11	26			4F	1610	103,74	111	14	42	58,0	33,0	25	-	-	1,63	PHP 26H200TB		
109,15	27			4F	1610	107,78	115	14	42	58,0	33,0	25	-	-	1,98	PHP 27H200TB		
113,19	28			4F	1610	111,82	119	14	42	58,0	33,0	25	-	-	1,92	PHP 28H200TB		
121,28	30			4F	1610	119,91	127	14	42	58,0	33,0	25	-	-	2,24	PHP 30H200TB		
129,36	32			4F	2012	127,99	135	14	50	58,0	26,0	32	-	-	2,87	PHP 32H200TB		
145,53	36			13F	2012	144,16	151	14	50	58,0	26,0	32	-	-	3,42	PHP 36H200TB		
H	76,2	161,70	40	13F	2012	160,33	168	14	50	58,0	26,0	32	-	-	4,39	PHP 40H200TB		
		177,87	44	13F	2012	176,50	184	14	50	58,0	26,0	32	-	-	5,89	PHP 44H200TB		
		194,04	48	13F	2517	192,67	200	16	60	58,0	13,0	45	-	-	7,00	PHP 48H200TB		
		242,55	60	8	2517	241,18	-	16	60	60,0	7,5	45	7,5	-	8,88	PHP 60H200TB		
		291,06	72	8	2517	289,69	-	16	60	60,0	7,5	45	7,5	-	9,05	PHP 72H200TB		
		339,57	84	8	2517	338,20	-	16	60	60,0	7,5	45	7,5	-	10,66	PHP 84H200TB		
		388,08	96	8	2517	386,71	-	16	60	60,0	7,5	45	7,5	-	15,28	PHP 96H200TB		
		485,10	120	8	2517	483,73	-	16	60	60,0	7,5	45	7,5	-	20,16	PHP 120H200TB		
		H	76,2	72,77	18	6F	1215	71,40	83	11	32	84,0	23,0	38	23,0	-	1,10	PHP 18H300TB
				80,85	20	6F	1615	79,48	87	14	42	84,0	23,0	38	23,0	-	1,25	PHP 20H300TB
				84,89	21	6F	1615	83,52	91	14	42	84,0	23,0	38	23,0	-	1,56	PHP 21H300TB
				88,94	22	6F	1615	87,57	94	14	42	84,0	23,0	38	23,0	-	1,75	PHP 22H300TB
				92,98	23	6F	1615	91,61	98	14	42	84,0	23,0	38	23,0	-	1,93	PHP 23H300TB
				97,02	24	6F	1615	95,65	103	14	42	84,0	23,0	38	23,0	-	2,14	PHP 24H300TB
				101,06	25	6F	1615	99,69	107	14	42	84,0	23,0	38	23,0	-	2,21	PHP 25H300TB
105,11	26			6F	1615	103,74	111	14	42	84,0	23,0	38	23,0	-	2,65	PHP 26H300TB		
109,15	27			6F	2012	107,78	115	14	50	84,0	26,0	32	26,0	-	2,49	PHP 27H300TB		
113,19	28			6F	2012	111,82	119	14	50	84,0	26,0	32	26,0	-	2,88	PHP 28H300TB		
121,28	30			6F	2012	119,91	127	14	50	84,0	26,0	32	26,0	-	3,44	PHP 30H300TB		
129,36	32			6F	2517	127,99	135	16	60	84,0	19,5	45	19,5	-	3,51	PHP 32H300TB		
145,53	36			6F	2517	144,16	151	16	60	84,0	19,5	45	19,5	-	4,43	PHP 36H300TB		
161,70	40			6F	2517	160,33	168	16	60	84,0	19,5	45	19,5	-	6,10	PHP 40H300TB		
177,87	44			7F	2517	176,50	184	16	60	86,0	20,5	45	20,5	124	7,55	PHP 44H300TB		
194,04	48	7F	2517	192,67	200	16	60	86,0	20,5	45	20,5	124	8,99	PHP 48H300TB				
242,55	60	8	2517	241,18	-	16	60	86,0	20,5	45	20,5	124	11,06	PHP 60H300TB				
291,06	72	8	2517	289,69	-	16	60	86,0	20,5	45	20,5	124	12,66	PHP 72H300TB				
339,57	84	8	2517	338,20	-	16	60	86,0	20,5	45	20,5	124	14,50	PHP 84H300TB				

<sup>1)</sup> Mass does not include bushings.

# Classical timing pulleys

H Taper bushed | XH Taper bushed



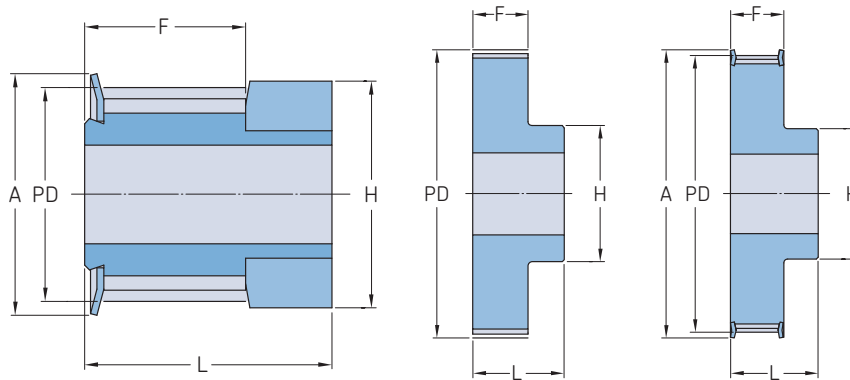
Section	Belt width	Pitch diameter	Number of teeth	Pulley type	Bushing number	Dimensions								Mass <sup>1)</sup>	Designation	
						Outer diameter OD	A	B Min.	Max.	F	K	L	M			H
		mm				mm								kg		
H	76,2	388,08 485,10	96 120	8 8	3030 3030	386,71 483,73	- -	35 35	75 75	86,0 86,0	5,0 5,0	76 76	5,0 5,0	155 155	16,20 20,80	PHP 96H300TB PHP 120H300TB
XH	50,8	127,34	18	6F	2012	124,54	141	14	50	65,1	-	32	-	-	2,60	PHP 18XH200TB
		134,41	19	6F	2012	131,61	146	14	50	65,1	-	32	-	-	3,10	PHP 19XH200TB
		141,49	20	6F	2012	138,69	155	14	50	65,1	-	32	-	-	3,60	PHP 20XH200TB
		148,56	21	6F	2517	145,76	169	16	60	65,1	-	45	-	-	4,20	PHP 21XH200TB
		155,64	22	6F	2517	152,84	169	16	60	65,1	-	45	-	-	4,80	PHP 22XH200TB
		169,79	24	6F	2517	166,99	183	16	60	65,1	-	45	-	-	6,10	PHP 24XH200TB
		176,86	25	6F	2517	174,06	198	16	60	65,1	-	45	-	-	6,80	PHP 25XH200TB
		183,93	26	6F	2517	181,13	198	16	60	65,1	-	45	-	-	7,40	PHP 26XH200TB
		191,01	27	7F	2517	188,21	212	16	60	65,1	-	45	-	134	8,20	PHP 27XH200TB
		198,09	28	7F	2517	195,29	212	16	60	65,1	-	45	-	134	9,00	PHP 28XH200TB
		212,23	30	7F	2517	209,43	226	16	60	65,1	-	45	-	134	9,60	PHP 30XH200TB
		226,38	32	7F	2517	223,58	240	16	60	65,1	-	45	-	134	9,80	PHP 32XH200TB
		254,64	36	8F	2517	251,84	267	16	60	65,1	-	45	-	134	11,60	PHP 36XH200TB
		282,98	40	8	2517	280,18	-	16	60	65,1	-	45	-	134	13,30	PHP 40XH200TB
		339,57	48	8	3020	336,77	-	25	75	65,1	-	51	-	165	19,00	PHP 48XH200TB
424,47	60	8	3020	421,67	-	25	75	65,1	-	51	-	165	22,00	PHP 60XH200TB		
XH	76,2	127,34	18	6F	2012	124,54	141	14	50	92,1	-	45	-	-	3,70	PHP 18XH300TB
		134,41	19	6F	2517	131,61	146	16	60	92,1	-	45	-	-	4,20	PHP 19XH300TB
		141,49	20	6F	2517	138,69	155	16	60	92,1	-	45	-	-	4,70	PHP 20XH300TB
		148,56	21	6F	2517	145,76	169	16	60	92,1	-	45	-	-	5,40	PHP 21XH300TB
		155,64	22	6F	2517	152,84	169	16	60	92,1	-	45	-	-	6,00	PHP 22XH300TB
		169,79	24	6F	2517	166,99	183	16	60	92,1	-	45	-	-	7,60	PHP 24XH300TB
		176,86	25	6F	2517	174,06	198	16	60	92,1	-	45	-	-	8,70	PHP 25XH300TB
		183,93	26	6F	2517	181,13	198	16	60	92,1	-	45	-	-	9,80	PHP 26XH300TB
		191,01	27	6F	2517	188,21	212	16	60	92,1	-	45	-	-	10,70	PHP 27XH300TB
		198,09	28	7F	2517	195,29	212	16	60	92,1	-	45	-	134	11,60	PHP 28XH300TB
		212,23	30	7F	2517	209,43	226	16	60	92,1	-	45	-	134	11,90	PHP 30XH300TB
		226,38	32	7F	3020	223,58	240	25	75	92,1	-	51	-	165	13,80	PHP 32XH300TB
		254,64	36	7F	3020	251,84	267	25	75	92,1	-	51	-	165	16,70	PHP 36XH300TB
		282,98	40	8	3020	280,18	-	25	75	92,1	-	51	-	165	19,50	PHP 40XH300TB
		339,57	48	8	3020	336,77	-	25	75	92,1	-	51	-	165	27,00	PHP 48XH300TB
424,47	60	8	3535	421,67	-	35	90	92,1	-	89	-	184	28,00	PHP 60XH300TB		
XH	101,6	127,34	18	6F	2012	124,54	141	16	60	92,1	-	45	-	-	5,00	PHP 18XH400TB
		134,41	19	6F	2517	131,61	146	16	60	92,1	-	45	-	-	5,50	PHP 19XH400TB
		141,49	20	6F	2517	138,69	155	16	60	92,1	-	45	-	-	6,00	PHP 20XH400TB
		148,56	21	6F	2517	145,76	169	16	60	92,1	-	45	-	-	6,60	PHP 21XH400TB
		155,64	22	6F	2517	152,84	169	16	60	92,1	-	45	-	-	7,20	PHP 22XH400TB
		169,79	24	6F	3020	166,99	183	25	75	92,1	-	51	-	-	8,40	PHP 24XH400TB
		176,86	25	6F	3020	174,06	198	25	75	92,1	-	51	-	-	9,40	PHP 25XH400TB
		183,93	26	6F	3020	181,13	198	25	75	92,1	-	51	-	-	10,30	PHP 26XH400TB
		191,01	27	6F	3020	188,21	212	25	75	92,1	-	51	-	-	11,30	PHP 27XH400TB
		198,09	28	6F	3020	195,29	212	25	75	92,1	-	51	-	-	12,30	PHP 28XH400TB
		212,23	30	6F	3020	209,43	226	25	75	92,1	-	51	-	-	14,30	PHP 30XH400TB
		226,38	32	7F	3020	223,58	240	25	75	92,1	-	51	-	165	19,90	PHP 32XH400TB
		254,64	36	7F	3020	251,84	267	25	75	92,1	-	51	-	165	22,30	PHP 36XH400TB
		282,98	40	8	3020	280,18	-	25	75	92,1	-	51	-	165	24,60	PHP 40XH400TB
		339,57	48	8	3535	336,77	-	35	90	92,1	-	89	-	184	30,00	PHP 48XH400TB
424,47	60	8	3535	421,67	-	35	90	92,1	-	89	-	184	40,00	PHP 60XH400TB		

<sup>1)</sup> Mass does not include bushings.



## Metric timing pulleys

2,5 mm pitch type T pilot bore (RSB)



Type OF

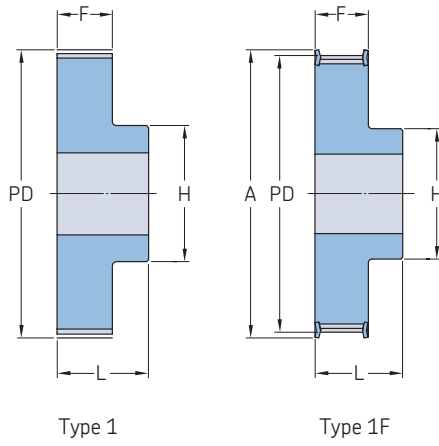
Type 1

Type 1F

Pitch	Belt width	Pitch diameter	Number of teeth	Pulley type	Dimensions	Dimensions					Mass	Designation	
						Outer diameter OD	A	B Min.	Max.	H			F
–	mm	PD	–	–	mm	–	–	–	–	–	kg	–	
2,5	4 and 6	7,96	10	OF	7,45	10	–	3	10	10	16	0,001	PHP 16-T2.5-10RSB
		8,75	11	OF	8,25	12	–	3	11	10	16	0,002	PHP 16-T2.5-11RSB
		9,54	12	OF	9,00	13	–	4	13	10	16	0,003	PHP 16-T2.5-12RSB
		10,35	13	OF	9,95	14	–	4	14	10	16	0,004	PHP 16-T2.5-13RSB
		11,14	14	OF	10,60	15	–	5	15	10	16	0,004	PHP 16-T2.5-14RSB
		11,94	15	OF	11,40	15	–	6	15	10	16	0,010	PHP 16-T2.5-15RSB
		12,73	16	OF	12,20	16	–	7	16	10	16	0,005	PHP 16-T2.5-16RSB
		13,53	17	OF	13,00	17	4	7	16	10	16	0,006	PHP 16-T2.5-17RSB
		14,32	18	1F	13,80	18	4	7	10	10	16	0,006	PHP 16-T2.5-18RSB
		15,12	19	1F	14,60	18	4	7	10	10	16	0,007	PHP 16-T2.5-19RSB
		15,92	20	1F	15,40	20	4	7	11	10	16	0,008	PHP 16-T2.5-20RSB
		16,71	21	1F	16,20	20	4	7	11	10	16	0,009	PHP 16-T2.5-21RSB
		17,51	22	1F	17,00	23	4	7	10	10	16	0,009	PHP 16-T2.5-22RSB
		18,30	23	1F	17,80	23	4	8	12	10	16	0,010	PHP 16-T2.5-23RSB
		19,10	24	1F	18,55	23	4	8	12	10	16	0,012	PHP 16-T2.5-24RSB
		19,89	25	1F	19,35	23	4	9	13	10	16	0,013	PHP 16-T2.5-25RSB
	20,69	26	1F	20,15	25	4	9	14	10	16	0,014	PHP 16-T2.5-26RSB	
	21,49	27	1F	20,90	25	4	9	14	10	16	0,015	PHP 16-T2.5-27RSB	
	22,28	28	1F	21,75	25	4	9	14	10	16	0,016	PHP 16-T2.5-28RSB	
	23,87	30	1F	23,35	28	6	10	16	10	16	0,018	PHP 16-T2.5-30RSB	
	25,46	32	1F	24,95	32	6	10	16	10	16	0,020	PHP 16-T2.5-32RSB	
	27,85	35	1F	27,35	36	6	10	18	10	16	0,024	PHP 16-T2.5-35RSB	
	28,65	36	1F	28,10	36	6	13	20	10	16	0,026	PHP 16-T2.5-36RSB	
	30,24	38	1F	30,70	38	6	13	22	10	16	0,029	PHP 16-T2.5-38RSB	
	31,83	40	1F	31,30	38	6	13	22	10	16	0,032	PHP 16-T2.5-40RSB	
	33,42	42	1F	32,90	42	6	15	24	10	16	0,036	PHP 16-T2.5-42RSB	
	35,01	44	1	34,50	–	6	15	24	10	16	0,040	PHP 16-T2.5-44RSB	
	35,81	45	1	35,30	–	6	17	26	10	16	0,044	PHP 16-T2.5-45RSB	
	38,20	48	1	37,70	–	6	17	26	10	16	0,048	PHP 16-T2.5-48RSB	
	42,97	54	1	42,45	–	8	19	30	10	16	0,056	PHP 16-T2.5-54RSB	
	45,36	57	1	44,85	–	8	19	32	10	16	0,064	PHP 16-T2.5-57RSB	
	47,75	60	1	47,25	–	8	22	34	10	16	0,073	PHP 16-T2.5-60RSB	
2,5	10	7,96	10	OF	7,45	10	3	3	10	14	20	0,010	PHP 20-T2.5-10RSB
		8,75	11	OF	8,25	12	3	3	11	14	20	0,010	PHP 20-T2.5-11RSB
		9,55	12	OF	9,00	13	3	4	13	14	20	0,020	PHP 20-T2.5-12RSB
		10,35	13	OF	9,95	14	3	4	14	14	20	0,020	PHP 20-T2.5-13RSB
		11,14	14	OF	10,60	14	3	5	15	14	20	0,020	PHP 20-T2.5-14RSB
		11,94	15	OF	11,40	15	3	6	15	14	20	0,020	PHP 20-T2.5-15RSB
		12,73	16	OF	12,20	16	4	7	16	14	20	0,030	PHP 20-T2.5-16RSB
		13,53	17	1F	13,00	17	4	7	16	14	20	0,020	PHP 20-T2.5-17RSB
		14,32	18	1F	13,80	17	4	7	10	14	20	0,030	PHP 20-T2.5-18RSB
		15,12	19	1F	14,60	18	4	7	10	14	20	0,040	PHP 20-T2.5-19RSB
		15,92	20	1F	15,40	19	4	7	11	14	20	0,040	PHP 20-T2.5-20RSB
		16,71	21	1F	16,20	20	4	7	11	14	20	0,040	PHP 20-T2.5-21RSB
		17,60	22	1F	17,00	22	4	7	11	14	20	0,050	PHP 20-T2.5-22RSB
		18,30	23	1F	17,80	22	4	8	12	14	20	0,050	PHP 20-T2.5-23RSB
	19,10	24	1F	18,55	22	4	8	12	14	20	0,050	PHP 20-T2.5-24RSB	
	19,89	25	1F	19,35	24	4	9	13	14	20	0,060	PHP 20-T2.5-25RSB	
	20,75	26	1F	20,15	26	4	9	14	14	20	0,060	PHP 20-T2.5-26RSB	
	21,49	27	1F	20,90	26	4	9	14	14	20	0,060	PHP 20-T2.5-27RSB	
	22,35	28	1F	21,75	26	4	9	14	14	20	0,070	PHP 20-T2.5-28RSB	
	23,87	30	1F	23,35	28	6	10	16	14	20	0,080	PHP 20-T2.5-30RSB	
	25,47	32	1F	24,95	28	6	10	16	14	20	0,090	PHP 20-T2.5-32RSB	

## Metric timing pulleys

2,5 mm pitch type T pilot bore (RSB) | 5 mm pitch type T pilot bore (RSB)



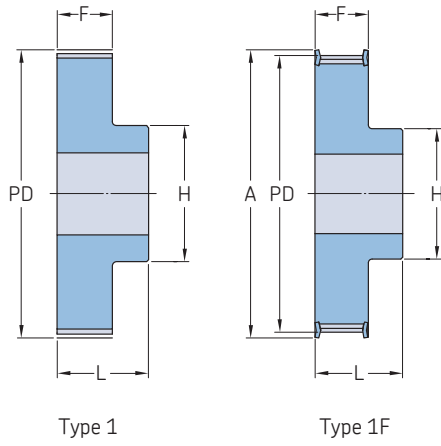
Pitch	Belt width	Pitch diameter PD	Number of teeth	Pulley type	Dimensions							Mass	Designation		
					Outer diameter OD	A	B Min.	Max.	H	F	L				
–	mm	–	–	–	mm	–	–	–	–	–	–	kg	–		
2,5	10	27,85	35	1F	27,35	32	6	10	18	14	20	0,110	PHP 20-T2.5-35RSB		
		28,65	36	1F	28,10	32	6	13	20	14	20	0,110	PHP 20-T2.5-36RSB		
		30,24	38	1F	39,70	34	6	13	22	14	20	0,130	PHP 20-T2.5-38RSB		
		31,83	40	1F	31,30	35	6	13	22	14	20	0,140	PHP 20-T2.5-40RSB		
		33,42	42	1	32,90	–	6	15	24	14	20	0,180	PHP 20-T2.5-42RSB		
		35,01	44	1	34,50	–	6	15	24	14	20	0,190	PHP 20-T2.5-44RSB		
		35,81	45	1	35,30	–	6	17	26	14	20	0,190	PHP 20-T2.5-45RSB		
		38,20	48	1	37,70	–	6	17	26	14	20	0,200	PHP 20-T2.5-48RSB		
		42,97	54	1	42,45	–	8	19	30	14	20	0,250	PHP 20-T2.5-54RSB		
		45,36	57	1	44,85	–	8	19	32	14	20	0,280	PHP 20-T2.5-57RSB		
		47,75	60	1	47,25	–	8	22	34	14	20	0,310	PHP 20-T2.5-60RSB		
		5	10	15,92	10	1F	15,05	20	4	5	8	15	21	0,010	PHP 21-T5-10RSB
				17,51	11	1F	16,65	22	4	6	10	15	21	0,010	PHP 21-T5-11RSB
				19,10	12	1F	18,25	23	4	7	12	15	21	0,020	PHP 21-T5-12RSB
				20,69	13	1F	19,85	25	6	8	13	15	21	0,020	PHP 21-T5-13RSB
				22,29	14	1F	21,45	26	6	9	14	15	21	0,020	PHP 21-T5-14RSB
23,88	15			1F	23,05	28	6	10	16	15	21	0,020	PHP 21-T5-15RSB		
25,47	16			1F	24,60	30	6	11	18	15	21	0,030	PHP 21-T5-16RSB		
27,06	17			1F	26,20	32	6	12	19	15	21	0,030	PHP 21-T5-17RSB		
28,65	18			1F	27,80	32	6	13	20	15	21	0,030	PHP 21-T5-18RSB		
30,25	19			1F	29,40	36	6	14	22	15	21	0,040	PHP 21-T5-19RSB		
31,83	20			1F	31,00	36	6	15	24	15	21	0,040	PHP 21-T5-20RSB		
33,42	21			1F	32,55	38	6	15	24	15	21	0,040	PHP 21-T5-21RSB		
35,01	22			1F	34,15	38	6	15	24	15	21	0,050	PHP 21-T5-22RSB		
36,61	23			1F	35,75	42	6	16	25	15	21	0,050	PHP 21-T5-23RSB		
38,21	24			1F	37,40	44	6	17	26	15	21	0,050	PHP 21-T5-24RSB		
39,80	25			1F	38,95	44	6	17	26	15	21	0,060	PHP 21-T5-25RSB		
41,45	26			1F	40,60	44	6	17	26	15	21	0,060	PHP 21-T5-26RSB		
42,98	27			1F	42,20	48	8	19	30	15	21	0,060	PHP 21-T5-27RSB		
44,56	28			1F	43,75	48	8	20	32	15	21	0,060	PHP 21-T5-28RSB		
47,76	30			1F	46,95	51	8	22	34	15	21	0,080	PHP 21-T5-30RSB		
50,94	32			1F	50,10	54	8	24	38	15	21	0,090	PHP 21-T5-32RSB		
55,70	35			1F	54,85	59	8	24	38	15	21	0,100	PHP 21-T5-35RSB		
57,31	36			1F	56,45	63	8	24	38	15	21	0,110	PHP 21-T5-36RSB		
60,48	38			1F	59,65	66	8	26	40	15	21	0,130	PHP 21-T5-38RSB		
63,66	40			1F	62,85	66	8	26	40	15	21	0,140	PHP 21-T5-40RSB		
66,84	42			1F	66,00	71	8	26	40	15	21	0,180	PHP 21-T5-42RSB		
70,20	44			1	69,35	–	8	29	45	15	21	0,190	PHP 21-T5-44RSB		
71,62	45			1	70,80	–	8	31	45	15	21	0,190	PHP 21-T5-45RSB		
76,39	48			1	75,55	–	8	32	50	15	21	0,200	PHP 21-T5-48RSB		
85,94	54			1	85,10	–	8	35	55	15	21	0,240	PHP 21-T5-54RSB		
90,72	57			1	89,90	–	8	38	60	15	21	0,270	PHP 21-T5-57RSB		
95,49	60			1	94,65	–	8	42	65	15	21	0,310	PHP 21-T5-60RSB		
5	16	15,92	10	1F	15,05	20	4	5	8	21	27	0,020	PHP 27-T5-10RSB		
		17,51	11	1F	16,65	22	4	6	10	21	27	0,020	PHP 27-T5-11RSB		
		19,10	12	1F	18,25	23	4	7	12	21	27	0,020	PHP 27-T5-12RSB		
		20,69	13	1F	19,85	25	6	8	13	21	27	0,020	PHP 27-T5-13RSB		
		22,29	14	1F	21,45	26	6	9	14	21	27	0,030	PHP 27-T5-14RSB		
		23,88	15	1F	23,05	28	6	10	16	21	27	0,030	PHP 27-T5-15RSB		
		25,47	16	1F	24,60	30	6	11	18	21	27	0,040	PHP 27-T5-16RSB		
		27,06	17	1F	26,20	32	6	12	19	21	27	0,040	PHP 27-T5-17RSB		
		28,65	18	1F	27,80	33	6	13	20	21	27	0,050	PHP 27-T5-18RSB		
		30,25	19	1F	29,40	36	6	14	22	21	27	0,050	PHP 27-T5-19RSB		

# Metric timing pulleys

5 mm pitch type T pilot bore (RSB) | 10 mm pitch type T pilot bore (RSB)

Pitch	Belt width	Pitch diameter	Number of teeth	Pulley type	Dimensions						Mass	Designation			
					Outer diameter OD	A	B Min.	Max.	H	F			L		
-	mm	PD	-	-	mm						kg	-			
5	16	31,83	20	1F	31,00	36	6	15	24	21	27	0,050	PHP 27-T5-20RSB		
		33,42	21	1F	32,55	38	6	15	24	21	27	0,050	PHP 27-T5-21RSB		
		35,01	22	1F	34,15	38	6	15	24	21	27	0,050	PHP 27-T5-22RSB		
		36,61	23	1F	35,75	42	6	16	25	21	27	0,060	PHP 27-T5-23RSB		
		38,21	24	1F	37,40	42	6	17	26	21	27	0,080	PHP 27-T5-24RSB		
		39,80	25	1F	38,95	44	6	17	26	21	27	0,080	PHP 27-T5-25RSB		
		41,45	26	1F	40,60	44	6	17	26	21	27	0,090	PHP 27-T5-26RSB		
		42,98	27	1F	42,20	48	8	19	30	21	27	0,090	PHP 27-T5-27RSB		
		44,56	28	1F	43,75	48	8	20	32	21	27	0,090	PHP 27-T5-28RSB		
		47,76	30	1F	46,95	51	8	22	34	21	27	0,110	PHP 27-T5-30RSB		
		50,94	32	1F	50,10	54	8	24	38	21	27	0,120	PHP 27-T5-32RSB		
		55,70	35	1F	54,85	59	8	24	38	21	27	0,140	PHP 27-T5-35RSB		
		57,31	36	1F	56,45	63	8	24	38	21	27	0,160	PHP 27-T5-36RSB		
		60,48	38	1F	59,65	66	8	26	40	21	27	0,180	PHP 27-T5-38RSB		
		63,66	40	1F	62,85	66	8	26	40	21	27	0,190	PHP 27-T5-40RSB		
		66,84	42	1F	66,00	71	8	26	40	21	27	0,210	PHP 27-T5-42RSB		
		70,20	44	1	69,35	-	8	29	45	21	27	0,230	PHP 27-T5-44RSB		
		71,62	45	1	70,80	-	8	29	45	21	27	0,260	PHP 27-T5-45RSB		
		76,39	48	1	75,55	-	8	32	50	21	27	0,280	PHP 27-T5-48RSB		
		85,94	54	1	85,10	-	8	35	55	21	27	0,330	PHP 27-T5-54RSB		
		90,72	57	1	89,90	-	8	38	60	21	27	0,380	PHP 27-T5-57RSB		
		95,49	60	1	94,65	-	8	42	65	21	27	0,430	PHP 27-T5-60RSB		
		5	25	15,92	10	1F	15,05	20	4	5	8	30	36	0,020	PHP 36-T5-10RSB
				17,51	11	1F	16,65	22	4	6	10	30	36	0,030	PHP 36-T5-11RSB
19,10	12			1F	18,25	23	4	7	12	30	36	0,030	PHP 36-T5-12RSB		
20,69	13			1F	19,85	25	6	8	13	30	36	0,030	PHP 36-T5-13RSB		
22,29	14			1F	21,45	26	6	9	14	30	36	0,040	PHP 36-T5-14RSB		
23,88	15			1F	23,05	28	6	10	16	30	36	0,040	PHP 36-T5-15RSB		
25,47	16			1F	24,60	32	6	11	18	30	36	0,050	PHP 36-T5-16RSB		
27,06	17			1F	26,20	32	6	12	19	30	36	0,060	PHP 36-T5-17RSB		
28,65	18			1F	27,80	32	6	13	20	30	36	0,060	PHP 36-T5-18RSB		
30,25	19			1F	29,40	36	6	14	22	30	36	0,070	PHP 36-T5-19RSB		
31,83	20			1F	31,00	36	6	15	24	30	36	0,080	PHP 36-T5-20RSB		
33,42	21			1F	32,55	38	6	15	24	30	36	0,080	PHP 36-T5-21RSB		
35,01	22			1F	34,15	38	6	15	24	30	36	0,080	PHP 36-T5-22RSB		
36,61	23			1F	35,75	42	6	15	25	30	36	0,090	PHP 36-T5-23RSB		
38,21	24			1F	37,40	42	6	17	26	30	36	0,110	PHP 36-T5-24RSB		
39,80	25			1F	38,95	44	6	17	26	30	36	0,120	PHP 36-T5-25RSB		
41,45	26			1F	40,60	44	6	17	26	30	36	0,120	PHP 36-T5-26RSB		
42,98	27			1F	42,20	48	8	19	30	30	36	0,130	PHP 36-T5-27RSB		
44,56	28			1F	43,75	48	8	20	32	30	36	0,130	PHP 36-T5-28RSB		
47,76	30			1F	46,95	51	8	22	34	30	36	0,150	PHP 36-T5-30RSB		
50,94	32			1F	50,10	54	8	24	38	30	36	0,180	PHP 36-T5-32RSB		
55,70	35			1F	54,85	59	8	24	38	30	36	0,210	PHP 36-T5-35RSB		
57,31	36			1F	56,45	63	8	24	38	30	36	0,230	PHP 36-T5-36RSB		
60,48	38			1F	59,65	66	8	26	40	30	36	0,250	PHP 36-T5-38RSB		
63,66	40	1F	62,85	66	8	26	40	30	36	0,280	PHP 36-T5-40RSB				
66,84	42	1F	66,00	71	8	26	40	30	36	0,280	PHP 36-T5-42RSB				
70,20	44	1	69,35	-	8	29	45	30	36	0,320	PHP 36-T5-44RSB				
71,62	45	1	70,80	-	8	29	45	30	36	0,360	PHP 36-T5-45RSB				
76,39	48	1	75,55	-	8	32	50	30	36	0,400	PHP 36-T5-48RSB				
85,94	54	1	85,10	-	8	35	55	30	36	0,470	PHP 36-T5-54RSB				
90,72	57	1	89,90	-	8	38	60	30	36	0,540	PHP 36-T5-57RSB				
95,49	60	1	94,65	-	8	42	65	30	36	0,610	PHP 36-T5-60RSB				
10	16	38,20	12	1F	36,35	42	6	18	28	21	31	0,080	PHP 31-T10-12RSB		
		41,38	13	1F	39,55	44	6	19	32	21	31	0,090	PHP 31-T10-13RSB		
		44,56	14	1F	42,70	48	8	21	32	21	31	0,100	PHP 31-T10-14RSB		
		47,75	15	1F	45,90	51	8	21	32	21	31	0,120	PHP 31-T10-15RSB		
		50,93	16	1F	49,10	54	8	23	35	21	31	0,130	PHP 31-T10-16RSB		
		54,11	17	1F	52,25	58	8	24	38	21	31	0,150	PHP 31-T10-17RSB		
		57,29	18	1F	55,45	60	8	26	40	21	31	0,170	PHP 31-T10-18RSB		
		60,48	19	1F	58,65	66	8	28	44	21	31	0,180	PHP 31-T10-19RSB		
		63,66	20	1F	61,80	66	8	30	46	21	31	0,210	PHP 31-T10-20RSB		
		66,85	21	1F	65,00	71	8	36	48	21	31	0,230	PHP 31-T10-21RSB		
		70,03	22	1F	68,20	75	8	34	52	21	31	0,250	PHP 31-T10-22RSB		
		73,21	23	1F	71,35	77	8	36	55	21	31	0,270	PHP 31-T10-23RSB		
		76,39	24	1F	74,55	83	8	38	58	21	31	0,290	PHP 31-T10-24RSB		
		79,58	25	1F	77,75	83	8	39	60	21	31	0,310	PHP 31-T10-25RSB		
		82,76	26	1F	80,90	87	8	39	60	21	31	0,360	PHP 31-T10-26RSB		
		85,95	27	1F	84,10	91	8	39	60	21	31	0,360	PHP 31-T10-27RSB		
		89,25	28	1F	87,25	93	8	39	60	21	31	0,400	PHP 31-T10-28RSB		
		95,49	30	1F	93,65	99	8	39	60	21	31	0,440	PHP 31-T10-30RSB		
		101,86	32	1F	100,00	106	10	42	65	21	31	0,490	PHP 31-T10-32RSB		

**Metric timing pulleys**  
10 mm pitch type T pilot bore (RSB)



Pitch	Belt width	Pitch diameter PD	Number of teeth	Pulley type	Dimensions							Mass	Designation		
					Outer diameter OD	A	B Min.	Max.	H	F	L				
–	mm	–	–	–	mm	–	–	–	–	–	–	kg	–		
10	16	111,41	35	1F	109,55	115	10	45	70	21	31	0,560	PHP 31-T10-35RSB		
		114,59	36	1F	112,75	119	10	45	70	21	31	0,620	PHP 31-T10-36RSB		
		120,96	38	1F	119,10	125	10	48	75	21	31	0,690	PHP 31-T10-38RSB		
		127,32	40	1F	125,45	131	10	52	80	21	31	0,770	PHP 31-T10-40RSB		
		133,69	42	1	131,85	–	10	52	80	21	31	0,880	PHP 31-T10-42RSB		
		140,06	44	1	138,20	–	10	57	88	21	31	0,990	PHP 31-T10-44RSB		
		143,24	45	1	141,40	–	16	57	90	21	31	1,040	PHP 31-T10-45RSB		
		152,78	48	1	150,95	–	16	62	95	21	31	1,090	PHP 31-T10-48RSB		
		171,89	54	1	170,05	–	16	66	100	21	31	1,300	BushingT10-54RSB		
		181,44	57	1	179,60	–	16	66	110	21	31	1,500	PHP 31-T10-57RSB		
		190,98	60	1	189,15	–	16	72	110	21	31	1,710	PHP 31-T10-60RSB		
		10	25	38,20	12	1F	36,35	42	6	18	28	30	40	0,100	PHP 40-T10-12RSB
				41,38	13	1F	39,55	44	6	19	30	30	40	0,120	PHP 40-T10-13RSB
				44,56	14	1F	42,70	48	8	21	32	30	40	0,130	PHP 40-T10-14RSB
				47,75	15	1F	45,90	51	8	21	32	30	40	0,150	PHP 40-T10-15RSB
				50,93	16	1F	49,10	54	8	23	35	30	40	0,180	PHP 40-T10-16RSB
				54,11	17	1F	52,25	58	8	24	37	30	40	0,200	PHP 40-T10-17RSB
				57,29	18	1F	55,45	60	8	26	40	30	40	0,220	PHP 40-T10-18RSB
60,48	19			1F	58,65	66	8	28	44	30	40	0,250	PHP 40-T10-19RSB		
63,66	20			1F	61,80	66	8	30	46	30	40	0,280	PHP 40-T10-20RSB		
66,85	21			1F	65,00	71	8	32	49	30	40	0,300	PHP 40-T10-21RSB		
70,03	22			1F	68,20	75	8	34	52	30	40	0,340	PHP 40-T10-22RSB		
73,21	23			1F	71,35	77	8	36	55	30	40	0,360	PHP 40-T10-23RSB		
76,39	24			1F	74,55	83	8	38	58	30	40	0,390	PHP 40-T10-24RSB		
79,58	25			1F	77,75	83	8	39	60	30	40	0,420	PHP 40-T10-25RSB		
82,76	26			1F	80,90	87	8	39	60	30	40	0,480	PHP 40-T10-26RSB		
85,95	27			1F	84,10	91	8	39	60	30	40	0,540	PHP 40-T10-27RSB		
89,25	28			1F	87,25	93	8	39	60	30	40	0,540	PHP 40-T10-28RSB		
95,49	30			1F	93,65	99	8	39	60	30	40	0,640	PHP 40-T10-30RSB		
101,86	32			1F	100,00	106	10	42	65	30	40	0,690	PHP 40-T10-32RSB		
111,41	35			1F	109,55	115	10	45	70	30	40	0,780	PHP 40-T10-35RSB		
114,59	36			1F	112,75	119	10	45	70	30	40	0,870	PHP 40-T10-36RSB		
120,96	38			1F	119,10	125	10	48	75	30	40	0,970	PHP 40-T10-38RSB		
127,32	40			1F	125,45	131	10	52	80	30	40	1,070	PHP 40-T10-40RSB		
133,69	42			1	131,85	–	10	52	80	30	40	1,210	PHP 40-T10-42RSB		
140,06	44			1	138,20	–	10	57	88	30	40	1,350	PHP 40-T10-44RSB		
143,24	45			1	141,40	–	16	59	90	30	40	1,430	PHP 40-T10-45RSB		
152,78	48			1	150,95	–	16	62	95	30	40	1,520	PHP 40-T10-48RSB		
171,89	54			1	170,05	–	16	65	100	30	40	1,790	PHP 40-T10-54RSB		
181,44	57			1	179,60	–	16	72	110	30	40	2,060	PHP 40-T10-57RSB		
190,98	60			1	189,15	–	16	72	110	30	40	2,340	PHP 40-T10-60RSB		
10	32	57,30	18	1F	55,45	60	10	26	40	37	47	0,250	PHP 47-T10-18RSB		
		60,48	19	1F	58,65	66	10	28	44	37	47	0,290	PHP 47-T10-19RSB		
		63,66	20	1F	61,80	66	12	30	46	37	47	0,320	PHP 47-T10-20RSB		
		66,85	21	1F	65,00	71	12	32	49	37	47	0,360	PHP 47-T10-21RSB		
		70,03	22	1F	68,20	75	12	34	52	37	47	0,390	PHP 47-T10-22RSB		
		73,21	23	1F	71,35	77	12	36	55	37	47	0,430	PHP 47-T10-23RSB		
		76,39	24	1F	74,55	83	12	38	58	37	47	0,480	PHP 47-T10-24RSB		
		79,58	25	1F	77,75	83	12	39	60	37	47	0,530	PHP 47-T10-25RSB		
		82,76	26	1F	80,90	87	12	39	60	37	47	0,560	PHP 47-T10-26RSB		
		85,94	27	1F	84,10	91	12	39	60	37	47	0,600	PHP 47-T10-27RSB		
		89,13	28	1F	87,25	93	12	39	60	37	47	0,640	PHP 47-T10-28RSB		
		95,49	30	1F	93,65	99	12	39	60	37	47	0,740	PHP 47-T10-30RSB		

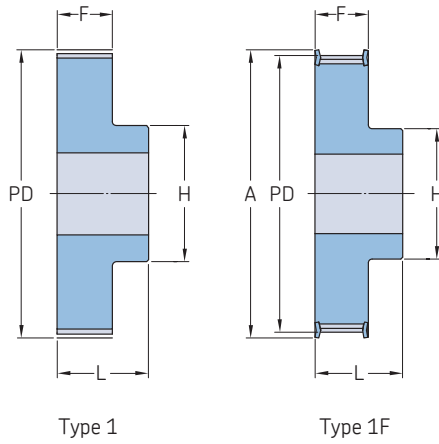
## Metric timing pulleys

10 mm pitch type T pilot bore (RSB)

Pitch	Belt width	Pitch diameter PD	Number of teeth	Pulley type	Dimensions						Mass	Designation			
					Outer diameter OD	A	B Min.	Max.	H	F			L		
–	mm	–	–	–	mm	–	–	–	–	–	kg	–			
10	32	101,86	32	1F	100,00	106	12	42	65	37	47	0,840	PHP 47-T10-32RSB		
		111,41	35	1F	109,55	115	16	45	70	37	47	0,960	PHP 47-T10-35RSB		
		114,59	36	1F	112,75	119	16	45	70	37	47	1,080	PHP 47-T10-36RSB		
		120,96	38	1F	119,10	125	16	48	75	37	47	1,200	PHP 47-T10-38RSB		
		127,32	40	1F	125,45	131	16	52	80	37	47	1,320	PHP 47-T10-40RSB		
		133,69	42	1	131,85	–	16	52	80	37	47	1,460	PHP 47-T10-42RSB		
		140,06	44	1	138,20	–	16	57	88	37	47	1,610	PHP 47-T10-44RSB		
		143,24	45	1	141,40	–	16	58	90	37	47	1,770	PHP 47-T10-45RSB		
		152,79	48	1	150,95	–	16	62	95	37	47	1,930	PHP 47-T10-48RSB		
		171,89	54	1	170,05	–	16	65	100	37	47	2,290	PHP 47-T10-54RSB		
		181,44	57	1	179,60	–	16	72	110	37	47	2,650	PHP 47-T10-57RSB		
		190,99	60	1	189,15	–	16	72	110	37	47	3,000	PHP 47-T10-60RSB		
		10	50	57,30	18	1F	55,45	60	10	26	40	56	66	0,420	PHP 66-T10-18RSB
				60,48	19	1F	58,65	66	10	28	44	56	66	0,470	PHP 66-T10-19RSB
				63,66	20	1F	61,80	66	12	30	46	56	66	0,520	PHP 66-T10-20RSB
				66,85	21	1F	65,00	71	12	32	49	56	66	0,550	PHP 66-T10-21RSB
				70,03	22	1F	68,20	75	12	34	52	56	66	0,570	PHP 66-T10-22RSB
				73,21	23	1F	71,35	77	12	36	55	56	66	0,650	PHP 66-T10-23RSB
76,39	24			1F	74,55	83	12	38	58	56	66	0,740	PHP 66-T10-24RSB		
79,58	25			1F	77,75	83	12	39	60	56	66	0,770	PHP 66-T10-25RSB		
82,76	26			1F	80,90	87	12	39	60	56	66	0,820	PHP 66-T10-26RSB		
85,94	27			1F	84,10	91	12	39	60	56	66	0,950	PHP 66-T10-27RSB		
89,13	28			1F	87,25	93	12	39	60	56	66	0,960	PHP 66-T10-28RSB		
95,49	30			1F	93,65	99	12	39	60	56	66	1,170	PHP 66-T10-30RSB		
101,86	32			1F	100,00	106	12	42	65	56	66	1,300	PHP 66-T10-32RSB		
111,41	35			1F	109,55	115	16	45	70	56	66	1,470	PHP 66-T10-35RSB		
114,59	36			1F	112,75	119	16	45	70	56	66	1,640	PHP 66-T10-36RSB		
120,96	38			1F	119,10	125	16	48	75	56	66	1,820	PHP 66-T10-38RSB		
127,32	40			1F	125,45	131	16	52	80	56	66	2,000	PHP 66-T10-40RSB		
133,69	42			1	131,85	–	16	57	80	56	66	2,180	PHP 66-T10-42RSB		
140,06	44			1	138,20	–	16	52	88	56	66	2,360	PHP 66-T10-44RSB		
143,24	45			1	141,40	–	16	58	90	56	66	2,590	PHP 66-T10-45RSB		
152,79	48			1	150,95	–	16	62	95	56	66	2,830	PHP 66-T10-48RSB		
171,89	54			1	170,05	–	16	65	100	56	66	3,340	PHP 66-T10-54RSB		
181,44	57			1	179,60	–	16	72	110	56	66	3,850	PHP 66-T10-57RSB		
190,99	60			1	189,15	–	16	72	110	56	66	4,370	PHP 66-T10-60RSB		

# Metric timing pulleys

5 mm pitch type AT pilot bore (RSB)



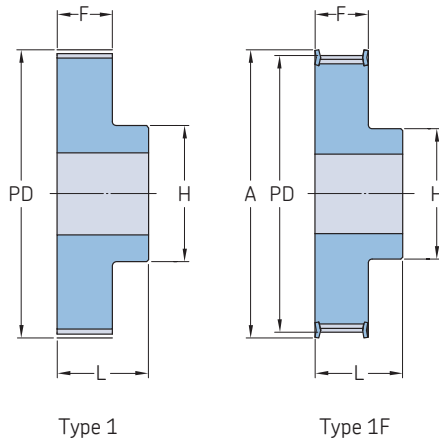
Pitch	Belt width	Pitch diameter PD	Number of teeth	Pulley type	Dimensions							Mass	Designation	
					Outer diameter OD	A	B Min.	Max.	H	F	L			
mm					mm							kg		
5	10	15,92	10	1F	14,65	20	4	5	8	15	21	0,01	PHP 21-AT5-10RSB	
		19,10	12	1F	17,85	23	4	7	12	15	21	0,02	PHP 21-AT5-12RSB	
		20,69	13	1F	19,45	25	6	8	13	15	21	0,02	PHP 21-AT5-13RSB	
		22,29	14	1F	21,05	26	6	9	14	15	21	0,02	PHP 21-AT5-14RSB	
		23,88	15	1F	22,65	28	6	10	16	15	21	0,02	PHP 21-AT5-15RSB	
		25,47	16	1F	24,20	32	6	11	18	15	21	0,03	PHP 21-AT5-16RSB	
		27,06	17	1F	25,80	32	6	12	19	15	21	0,03	PHP 21-AT5-17RSB	
		28,65	18	1F	27,40	32	6	13	20	15	21	0,03	PHP 21-AT5-18RSB	
		30,25	19	1F	29,00	36	6	14	22	15	21	0,04	PHP 21-AT5-19RSB	
		31,83	20	1F	30,60	36	6	15	23	15	21	0,04	PHP 21-AT5-20RSB	
		33,42	21	1F	32,20	38	6	15	24	15	21	0,04	PHP 21-AT5-21RSB	
		35,02	22	1F	33,85	38	6	15	24	15	21	0,05	PHP 21-AT5-22RSB	
		36,61	23	1F	35,40	42	6	17	25	15	21	0,05	PHP 21-AT5-23RSB	
		38,21	24	1F	37,00	44	6	17	26	15	21	0,05	PHP 21-AT5-24RSB	
		39,80	25	1F	38,60	44	6	17	26	15	21	0,06	PHP 21-AT5-25RSB	
		41,38	26	1F	40,20	44	6	17	26	15	21	0,06	PHP 21-AT5-26RSB	
	42,98	27	1F	41,80	48	8	19	30	15	21	0,06	PHP 21-AT5-27RSB		
	44,56	28	1F	43,35	48	8	20	32	15	21	0,07	PHP 21-AT5-28RSB		
	47,76	30	1F	46,55	51	8	22	34	15	21	0,08	PHP 21-AT5-30RSB		
	50,94	32	1F	49,70	54	8	24	38	15	21	0,09	PHP 21-AT5-32RSB		
	57,31	36	1F	56,05	63	8	24	38	15	21	0,11	PHP 21-AT5-36RSB		
	60,48	38	1F	59,25	66	8	26	40	15	21	0,13	PHP 21-AT5-38RSB		
	63,66	40	1F	62,45	66	8	26	40	15	21	0,14	PHP 21-AT5-40RSB		
	66,74	42	1F	65,60	71	8	26	40	15	21	0,18	PHP 21-AT5-42RSB		
	70,05	44	1	68,80	-	8	29	45	15	21	0,19	PHP 21-AT5-44RSB		
	71,62	45	1	70,35	-	8	29	45	15	21	0,19	PHP 21-AT5-45RSB		
	76,42	48	1	75,15	-	8	32	50	15	21	0,20	PHP 21-AT5-48RSB		
	95,52	60	1	94,25	-	8	37	65	15	21	0,31	PHP 21-AT5-60RSB		
	114,62	72	1	113,15	-	10	42	80	15	21	0,41	PHP 21-AT5-72RSB		
	5	16	15,92	10	1F	14,65	20	4	5	8	21	27	0,02	PHP 27-AT5-10RSB
			19,10	12	1F	17,85	23	4	7	12	21	27	0,02	PHP 27-AT5-12RSB
			20,69	13	1F	19,45	25	6	8	13	21	27	0,02	PHP 27-AT5-13RSB
22,29			14	1F	21,05	26	6	9	14	21	27	0,03	PHP 27-AT5-14RSB	
23,88			15	1F	22,65	28	6	10	16	21	27	0,03	PHP 27-AT5-15RSB	
25,47			16	1F	24,20	32	6	11	18	21	27	0,04	PHP 27-AT5-16RSB	
27,06			17	1F	25,80	32	6	12	19	21	27	0,04	PHP 27-AT5-17RSB	
28,65			18	1F	27,40	32	6	13	20	21	27	0,04	PHP 27-AT5-18RSB	
30,25			19	1F	29,00	36	6	14	22	21	27	0,05	PHP 27-AT5-19RSB	
31,83			20	1F	30,60	36	6	15	23	21	27	0,05	PHP 27-AT5-20RSB	
33,42			21	1F	32,20	38	6	15	24	21	27	0,05	PHP 27-AT5-21RSB	
35,02			22	1F	33,85	38	6	15	24	21	27	0,05	PHP 27-AT5-22RSB	
36,61			23	1F	35,40	42	6	17	25	21	27	0,07	PHP 27-AT5-23RSB	
38,21			24	1F	37,00	44	6	17	26	21	27	0,08	PHP 27-AT5-24RSB	
39,80			25	1F	38,60	44	6	17	26	21	27	0,08	PHP 27-AT5-25RSB	
41,38			26	1F	40,20	44	6	17	26	21	27	0,09	PHP 27-AT5-26RSB	
42,98		27	1F	41,80	48	8	19	30	21	27	0,09	PHP 27-AT5-27RSB		
44,56		28	1F	43,35	48	8	20	32	21	27	0,09	PHP 27-AT5-28RSB		
47,76		30	1F	46,55	51	8	22	34	21	27	0,11	PHP 27-AT5-30RSB		
50,94		32	1F	49,70	54	8	24	38	21	27	0,12	PHP 27-AT5-32RSB		
57,31		36	1F	56,05	63	8	24	38	21	27	0,16	PHP 27-AT5-36RSB		
60,48		38	1F	59,25	66	8	26	40	21	27	0,18	PHP 27-AT5-38RSB		
63,66		40	1F	62,45	66	8	26	40	21	27	0,19	PHP 27-AT5-40RSB		
66,74		42	1F	65,60	71	8	26	40	21	27	0,21	PHP 27-AT5-42RSB		
70,05		44	1	68,80	-	8	29	45	21	27	0,23	PHP 27-AT5-44RSB		

# Metric timing pulleys

5 mm pitch type AT pilot bore (RSB) | 10 mm pitch type AT pilot bore (RSB)

Pitch	Belt width	Pitch diameter PD	Number of teeth	Pulley type	Dimensions							Mass	Designation		
					Outer diameter OD	A	B Min.	Max.	H	F	L				
mm			-	-	mm							kg	-		
5	16	71,62	45	1	70,35	-	8	29	45	21	27	0,26	PHP 27-AT5-45RSB		
		76,42	48	1	75,15	-	8	32	50	21	27	0,28	PHP 27-AT5-48RSB		
		95,52	60	1	94,25	-	8	37	65	21	27	0,43	PHP 27-AT5-60RSB		
		114,62	72	1	113,15	-	10	42	80	21	27	0,41	PHP 27-AT5-72RSB		
5	25	15,92	10	1F	14,65	20	4	5	8	30	36	0,02	PHP 36-AT5-10RSB		
		19,10	12	1F	17,85	23	6	7	12	30	36	0,03	PHP 36-AT5-12RSB		
		20,69	13	1F	19,45	25	6	8	13	30	36	0,03	PHP 36-AT5-13RSB		
		22,29	14	1F	21,05	26	6	9	14	30	36	0,04	PHP 36-AT5-14RSB		
		23,88	15	1F	22,65	28	6	10	16	30	36	0,04	PHP 36-AT5-15RSB		
		25,47	16	1F	24,20	32	6	11	18	30	36	0,05	PHP 36-AT5-16RSB		
		27,06	17	1F	25,80	32	6	12	19	30	36	0,06	PHP 36-AT5-17RSB		
		28,65	18	1F	27,40	32	6	13	20	30	36	0,06	PHP 36-AT5-18RSB		
		30,25	19	1F	29,00	36	6	14	22	30	36	0,07	PHP 36-AT5-19RSB		
		31,83	20	1F	30,60	36	6	15	23	30	36	0,08	PHP 36-AT5-20RSB		
		33,42	21	1F	32,20	38	6	15	24	30	36	0,08	PHP 36-AT5-21RSB		
		35,02	22	1F	33,85	38	6	15	24	30	36	0,08	PHP 36-AT5-22RSB		
		36,61	23	1F	35,40	42	6	16	25	30	36	0,09	PHP 36-AT5-23RSB		
		38,21	24	1F	37,00	44	8	17	26	30	36	0,11	PHP 36-AT5-24RSB		
		39,80	25	1F	38,60	44	8	17	26	30	36	0,12	PHP 36-AT5-25RSB		
		41,38	26	1F	40,20	44	8	17	26	30	36	0,12	PHP 36-AT5-26RSB		
		42,98	27	1F	41,80	48	8	19	30	30	36	0,13	PHP 36-AT5-27RSB		
		44,56	28	1F	43,35	48	8	20	32	30	36	0,13	PHP 36-AT5-28RSB		
		47,76	30	1F	46,55	51	8	22	34	30	36	0,15	PHP 36-AT5-30RSB		
		50,94	32	1F	49,70	54	8	24	38	30	36	0,18	PHP 36-AT5-32RSB		
		57,31	36	1F	56,05	63	8	24	38	30	36	0,23	PHP 36-AT5-36RSB		
		60,48	38	1F	59,25	66	8	26	40	30	36	0,25	PHP 36-AT5-38RSB		
		63,66	40	1F	62,45	66	8	26	40	30	36	0,28	PHP 36-AT5-40RSB		
		66,74	42	1F	65,60	71	8	26	40	30	36	0,28	PHP 36-AT5-42RSB		
		70,05	44	1	68,80	-	8	29	45	30	36	0,32	PHP 36-AT5-44RSB		
		71,62	45	1	70,35	-	8	30	45	30	36	0,36	PHP 36-AT5-45RSB		
		76,42	48	1	75,15	-	8	32	50	30	36	0,40	PHP 36-AT5-48RSB		
		95,52	60	1	94,25	-	8	37	65	30	36	0,61	PHP 36-AT5-60RSB		
		114,62	72	1	113,15	-	10	42	80	30	36	0,83	PHP 36-AT5-72RSB		
		10	16	38,20	12	1F	36,35	42	6	18	28	21	31	0,08	PHP 31-AT10-12RSB
				44,60	14	1F	42,70	48	8	21	32	21	31	0,10	PHP 31-AT10-14RSB
				47,75	15	1F	45,90	51	8	21	32	21	31	0,12	PHP 31-AT10-15RSB
				50,93	16	1F	49,05	54	8	23	35	21	31	0,13	PHP 31-AT10-16RSB
				54,11	17	1F	52,25	58	8	24	38	21	31	0,15	PHP 31-AT10-17RSB
				57,29	18	1F	55,45	60	8	26	40	21	31	0,17	PHP 31-AT10-18RSB
				60,48	19	1F	58,65	66	8	28	44	21	31	0,19	PHP 31-AT10-19RSB
63,66	20			1F	61,80	66	8	30	46	21	31	0,21	PHP 31-AT10-20RSB		
66,85	21			1F	65,00	71	8	32	48	21	31	0,23	PHP 31-AT10-21RSB		
70,03	22			1F	68,15	75	8	34	52	21	31	0,25	PHP 31-AT10-22RSB		
73,21	23			1F	71,35	77	8	36	55	21	31	0,27	PHP 31-AT10-23RSB		
76,39	24			1F	74,55	83	8	38	58	21	31	0,29	PHP 31-AT10-24RSB		
79,58	25			1F	77,75	83	8	39	60	21	31	0,31	PHP 31-AT10-25RSB		
82,76	26			1F	80,90	87	8	39	60	21	31	0,36	PHP 31-AT10-26RSB		
85,95	27			1F	84,10	91	8	39	60	21	31	0,36	PHP 31-AT10-27RSB		
89,25	28			1F	87,25	93	8	39	60	21	31	0,40	PHP 31-AT10-28RSB		
95,49	30			1F	93,65	99	8	39	60	21	31	0,44	PHP 31-AT10-30RSB		
101,86	32			1F	100,00	106	10	42	65	21	31	0,49	PHP 31-AT10-32RSB		
114,59	36			1F	112,75	119	10	45	70	21	31	0,63	PHP 31-AT10-36RSB		
120,96	38			1F	119,10	125	10	48	75	21	31	0,70	PHP 31-AT10-38RSB		
127,32	40			1F	125,45	131	10	52	80	21	31	0,77	PHP 31-AT10-40RSB		
133,69	42			1	131,85	-	10	57	80	21	31	0,88	PHP 31-AT10-42RSB		
140,05	44			1	138,20	-	10	57	88	21	31	0,99	PHP 31-AT10-44RSB		
143,24	45			1	141,40	-	16	59	90	21	31	1,01	PHP 31-AT10-45RSB		
152,78	48			1	150,95	-	16	62	95	21	31	1,09	PHP 31-AT10-48RSB		
190,98	60			1	189,15	-	16	72	110	21	31	1,71	PHP 31-AT10-60RSB		
10	25			38,20	12	1F	36,40	42	6	18	28	30	40	0,10	PHP 40-AT10-12RSB
				44,60	14	1F	42,70	48	8	21	32	30	40	0,13	PHP 40-AT10-14RSB
				47,80	15	1F	45,90	51	8	21	32	30	40	0,15	PHP 40-AT10-15RSB
				50,90	16	1F	49,10	54	8	23	35	30	40	0,18	PHP 40-AT10-16RSB
				54,10	17	1F	52,20	58	8	24	37	30	40	0,20	PHP 40-AT10-17RSB
				57,30	18	1F	55,50	60	8	26	40	30	40	0,22	PHP 40-AT10-18RSB
				60,50	19	1F	58,60	66	8	28	44	30	40	0,25	PHP 40-AT10-19RSB
				63,70	20	1F	61,80	66	8	30	46	30	40	0,28	PHP 40-AT10-20RSB
				66,80	21	1F	65,00	71	8	32	49	30	40	0,31	PHP 40-AT10-21RSB
				70,00	22	1F	68,20	75	8	34	52	30	40	0,34	PHP 40-AT10-22RSB
		73,20	23	1F	71,30	77	8	36	55	30	40	0,36	PHP 40-AT10-23RSB		
		76,40	24	1F	74,50	83	8	38	58	30	40	0,39	PHP 40-AT10-24RSB		
		79,60	25	1F	77,80	83	8	39	60	30	40	0,42	PHP 40-AT10-25RSB		
		82,80	26	1F	80,90	87	8	39	60	30	40	0,48	PHP 40-AT10-26RSB		

**Metric timing pulleys**  
10 mm pitch type AT pilot bore (RSB)



Pitch	Belt width	Pitch diameter PD	Number of teeth	Pulley type	Dimensions							Mass	Designation		
					Outer diameter OD	A	B Min.	Max.	H	F	L				
mm			-	-	mm							kg	-		
10	25	86,00	27	1F	84,10	91	8	39	60	30	40	0,54	PHP 40-AT10-27RSB		
		89,20	28	1F	87,20	93	8	39	60	30	40	0,54	PHP 40-AT10-28RSB		
		95,50	30	1F	93,70	99	8	39	60	30	40	0,64	PHP 40-AT10-30RSB		
		101,90	32	1F	100,00	106	10	42	65	30	40	0,69	PHP 40-AT10-32RSB		
		114,60	36	1F	112,80	119	10	45	70	30	40	0,87	PHP 40-AT10-36RSB		
		121,00	38	1F	119,10	125	10	48	75	30	40	0,97	PHP 40-AT10-38RSB		
		127,30	40	1F	125,50	131	10	52	80	30	40	1,07	PHP 40-AT10-40RSB		
		133,70	42	1	131,80	-	10	57	80	30	40	1,21	PHP 40-AT10-42RSB		
		140,10	44	1	138,20	-	10	57	88	30	40	1,35	PHP 40-AT10-44RSB		
		143,20	45	1	141,40	-	16	59	90	30	40	1,43	PHP 40-AT10-45RSB		
		152,80	48	1	150,90	-	16	62	95	30	40	1,52	PHP 40-AT10-48RSB		
		191,00	60	1	189,20	-	16	72	110	30	40	2,34	PHP 40-AT10-60RSB		
		10	32	57,29	18	1F	55,45	60	8	26	40	37	47	0,25	PHP 47-AT10-18RSB
				60,48	19	1F	58,65	66	8	28	44	37	47	0,29	PHP 47-AT10-19RSB
				63,66	20	1F	61,80	66	8	30	46	37	47	0,32	PHP 47-AT10-20RSB
				66,85	21	1F	65,00	71	8	32	49	37	47	0,36	PHP 47-AT10-21RSB
				70,03	22	1F	68,15	75	8	34	52	37	47	0,39	PHP 47-AT10-22RSB
				73,21	23	1F	71,35	77	8	36	55	37	47	0,43	PHP 47-AT10-23RSB
76,39	24			1F	74,55	83	8	38	58	37	47	0,48	PHP 47-AT10-24RSB		
79,58	25			1F	77,75	83	8	39	60	37	47	0,53	PHP 47-AT10-25RSB		
82,76	26			1F	80,90	87	8	39	60	37	47	0,56	PHP 47-AT10-26RSB		
85,95	27			1F	84,10	91	8	39	60	37	47	0,60	PHP 47-AT10-27RSB		
89,25	28			1F	87,25	93	8	39	60	37	47	0,64	PHP 47-AT10-28RSB		
95,49	30			1F	93,65	99	8	39	60	37	47	0,74	PHP 47-AT10-30RSB		
101,86	32			1F	100,00	106	10	42	65	37	47	0,84	PHP 47-AT10-32RSB		
111,41	35			1F	109,55	115	10	45	70	37	47	0,96	PHP 47-AT10-35RSB		
114,59	36			1F	112,75	119	10	45	70	37	47	1,08	PHP 47-AT10-36RSB		
120,96	38			1F	119,10	125	10	48	75	37	47	1,20	PHP 47-AT10-38RSB		
127,32	40			1F	125,45	131	10	52	80	37	47	1,32	PHP 47-AT10-40RSB		
133,69	42			1	131,85	-	10	57	80	37	47	1,46	PHP 47-AT10-42RSB		
140,20	44	1	138,20	-	10	57	88	37	47	1,61	PHP 47-AT10-44RSB				
143,24	45	1	141,40	-	10	59	90	37	47	1,77	PHP 47-AT10-45RSB				
152,78	48	1	150,95	-	16	62	95	37	47	1,93	PHP 47-AT10-48RSB				
171,89	54	1	170,05	-	16	66	100	37	47	2,29	PHP 47-AT10-54RSB				
181,44	57	1	179,60	-	16	72	110	37	47	2,64	PHP 47-AT10-57RSB				
190,98	60	1	189,15	-	16	72	110	37	47	3,00	PHP 47-AT10-60RSB				
10	50	57,29	18	1F	55,45	60	10	26	40	56	66	0,42	PHP 66-AT10-18RSB		
		60,48	19	1F	58,65	66	10	28	44	56	66	0,47	PHP 66-AT10-19RSB		
		63,66	20	1F	61,80	66	12	30	46	56	66	0,52	PHP 66-AT10-20RSB		
		66,85	21	1F	65,00	71	12	32	49	56	66	0,55	PHP 66-AT10-21RSB		
		70,20	22	1F	68,15	75	12	34	52	56	66	0,57	PHP 66-AT10-22RSB		
		73,21	23	1F	71,35	77	12	36	55	56	66	0,65	PHP 66-AT10-23RSB		
		76,39	24	1F	74,55	83	12	38	58	56	66	0,74	PHP 66-AT10-24RSB		
		79,58	25	1F	77,75	83	12	39	60	56	66	0,77	PHP 66-AT10-25RSB		
		82,76	26	1F	80,90	87	12	39	60	56	66	0,82	PHP 66-AT10-26RSB		
		85,95	27	1F	84,10	90	12	39	60	56	66	0,95	PHP 66-AT10-27RSB		
		89,25	28	1F	87,25	93	12	39	60	56	66	0,96	PHP 66-AT10-28RSB		
		95,49	30	1F	93,65	99	12	39	60	56	66	1,17	PHP 66-AT10-30RSB		
		101,86	32	1F	100,00	106	12	42	65	56	66	1,30	PHP 66-AT10-32RSB		
		111,41	35	1F	109,55	115	16	45	70	56	66	1,47	PHP 66-AT10-35RSB		
		114,59	36	1F	112,75	119	16	45	70	56	66	1,64	PHP 66-AT10-36RSB		
		120,96	38	1F	119,10	125	16	48	75	56	66	1,82	PHP 66-AT10-38RSB		
		127,32	40	1F	125,45	131	16	52	80	56	66	2,00	PHP 66-AT10-40RSB		



## Metric timing pulleys

10 mm pitch type AT pilot bore (RSB)

Pitch	Belt width	Pitch diameter PD	Number of teeth	Pulley type	Dimensions						Mass	Designation			
					Outer diameter OD	A	B Min.	Max.	H	F			L		
mm			–	–	mm							kg	–		
10	50	133,69	42	1	131,85	–	16	57	80	56	66	2,18	PHP 66-AT10-42RSB		
		140,20	44	1	138,20	–	16	57	88	56	66	2,36	PHP 66-AT10-44RSB		
		143,24	45	1	141,40	–	16	59	90	56	66	2,59	PHP 66-AT10-45RSB		
		152,78	48	1	150,95	–	16	62	95	56	66	2,83	PHP 66-AT10-48RSB		
		171,89	54	1	170,05	–	16	66	100	56	66	3,34	PHP 66-AT10-54RSB		
		181,44	57	1	179,60	–	16	72	110	56	66	3,85	PHP 66-AT10-57RSB		
		190,98	60	1	189,15	–	16	72	110	56	66	4,37	PHP 66-AT10-60RSB		



# Smart Tools



Belt tools ..... 336



Shaft alignment tools..... 339

## Belt tools

SKF Belt Frequency Meter PHL FM 10/400

### SKF Belt Frequency Meter PHL FM 10/400

#### One of the most accurate belt tension measurement methods

Correct belt tension is crucial for the whole drive system, its service life and the service life of associated components such as bearings and seals. Therefore, it is important to get accurate and reliable results when measuring belt tension.

The SKF Belt Frequency Meter is one of the most accurate tools available for measuring belt tension. Readings are quick, reliable and, most importantly, repeatable. The tool is extremely easy to use and minimizes the risk of errors.

#### Wide range of applications

The SKF Belt Frequency Meter consists of a hand-held meter and an optical sensor to provide contact-free belt tension measurements for most of the following belt types, even in a noisy environment:

- V-Belts (wrapped, cogged raw edge, ribbed)
- Banded V-Belts
- Timing belts

The SKF Belt Frequency Meter is capable of measuring belt vibration frequencies from 10 to 400 Hz. Based upon the measured belt frequency, the SKF Belt Frequency Meter calculates belt tensions up to 9 900 N (2 200 lbs.).

#### Easy and quick to use

- Simply key-in the span length and mass data. Data can also be saved and recalled for repeated use, if necessary
- Aim sensor at centre of selected belt span and pluck or tap the belt
- The display will show the measured frequency which can be toggled to either newton or pound force values
- Readjust the belt tension, if necessary, and take another measurement to confirm correct tension



## Belt tools

### SKF Belt Tension System

#### High quality belt drive maintenance – reduces time and effort

The SKF Belt Tension System is a motor base for electric motors. Due to the system's hydraulic cylinders, belt maintenance becomes an easy task. The SKF Belt Tension System allows quick belt replacement and tensioning, while not disturbing the initial alignment. By connecting a hand-held hydraulic pump, the cylinders of the SKF Belt Tension System can be moved up and down. This enables a controlled moving of the motor axis which is directly related to the belt tension and the pressure in the cylinders. This unique function allows for quick and easy belt tension checks as well as belt replacements.

Additional required and recommended tools: Only a hammer and a hand-held hydraulic pump, such as the SKF THPT1, are required for using the SKF Belt Tension System. Additionally, it is recommended that you use a laser alignment tool, e.g. the SKF Belt Alignment Tool TMEB 2, and the SKF Belt Frequency Meter for checking the tension of the belt when the SKF Belt Tension System is initially installed.

#### Selection guide for the SKF Belt Tension System:

Designation	IEC Motor class
PHL 160/180 H1	160 and 180
PHL 200/225 H1	200 and 225
PHL 250/280 H1	250 and 280
PHL 315 H1	315
PHL 355 H1	355
PHL 400 H1	400

In addition, several NEMA standard motors can be mounted on the SKF Belt Tension System. To do this, please contact SKF for additional information.

#### Various benefits for the belt drive achieved by use of this system

- Alignment is necessary only once, independent of the number of belt replacements
- Safe, simple and fast belt replacement
- Less costly, time-consuming breakdowns of the whole system
- Less vibration improves system efficiency
- Quick and reliable tension checks
- Easy preventive maintenance
- Repeatable maintenance quality
- Reduced costs due to prolonged belt life





## Belt tools

### SKF Belt Alignment Tool TMEB 2

### SKF Belt Alignment Tool TMEB 2

#### Belt-driven machinery downtime caused by misalignment is a thing of the past

The SKF Belt Alignment Tool, TMEB 2, aligns the pulleys where it counts most – in the grooves. V-guides and powerful magnets allow the TMEB 2 to be fitted in the grooves of the pulley. With only two components, a laser-emitting unit and a receiver unit, the TMEB 2 is fast and easy to attach. The three-dimensional target area on the receiver unit allows the easy detection of misalignment as well as its nature; whether it is horizontal, vertical, parallel or a combination of all three. Armed with this precise information, the operator can easily make the appropriate adjustments until the laser line corresponds with the reference line on the receiver unit.

#### Versatile and user-friendly

- Powerful magnets allow fast and easy attachment
- Easy-to-use, requires no special training to operate
- Three-dimensional target area simplifies the alignment process
- Facilitates simultaneous adjustment of tension and alignment
- V-guides facilitate the alignment of a wide range of V-belt pulleys
- Special side adaptor, allowing alignment of multi-ribbed and timing belt pulleys as well as chain sprockets, is available as accessory
- A maximum operating distance of 6 meters (20 ft.) makes it suitable for use in various applications
- Sturdy aluminium housings provide great assembly stability and accuracy

#### Pinpoint accuracy with laser technology

- Aligns grooves of the pulley rather than its face, allowing the alignment of pulleys of unequal width or with dissimilar faces – even fits applications where the pulley face cannot be used as a reference
- No trial and error. The laser position indicates the nature of misalignment allowing easy and accurate adjustment



## Shaft alignment tools

TKSA Series

Pinpoint accurate alignment simply achieved

The SKF Shaft Alignment Tools, TKSA series, offer you simplicity with a high degree of accuracy.

### Measuring, aligning and documenting

These highly innovative tools feature a three-step process for measuring and correcting alignment. First, measure the machinery's current alignment status. Then, align the machine vertically and horizontally. Finally, document and keep track of the alignment activities.

These three simple steps allow you to easily and effectively align shafts using advanced laser technology.

### Features

- Easy-to-use, three-step process: measure-align-document
- Compact, lightweight design
- Spirit levels allow easy and fast positioning of the measuring units
- Measurements in millimetres or inches facilitate worldwide use
- Supplied in sturdy, lightweight carrying cases for portability



## SKF Shaft Alignment Tool

TKSA 20 | TKSA 40

The quick, easy and affordable laser shaft alignment tool

The TKSA 20 is an easy-to-use laser shaft alignment tool, which requires no special training to operate. Compared to traditional dial indicator methods, the shaft alignment process is greatly simplified, as no additional calculations are required in order to make the necessary adjustments.

### Features

- Alignment actions displayed: Clear “real-time” coupling and feet values, given during the alignment process, make alignment corrections quick and easy
- Soft foot check: “Soft foot” function helps determine if the machine is standing evenly on all feet; an essential check for good shaft alignment
- Easy pre-alignment: For machines that are grossly misaligned, the laser lines and scales enable rapid pre-alignment
- Easy for inexperienced users: Quick Start Guide allows virtually any technician to quickly become familiar with the process. Full instructions, instructional video and alignment report forms in multiple languages supplied on a CD
- The attractively priced TKSA 20 easily provides a short return on investment



The intuitive laser shaft alignment tool allows results to be stored and shared

The TKSA 40 is intuitive in operation, thanks to its animated graphical interface. Not only is it quick and easy to use, but alignment results can be stored and shared using a USB cable and a PC. Compared to traditional methods, the shaft alignment process is greatly simplified; just follow the instructions on the screen to make a precise alignment.

### Features

- Intuitive: Animated graphical interface on a 4 inch back-lit screen and alphanumeric key functions simplify the whole process
- Alignment actions displayed: Clear “real-time” coupling and feet values, given during the alignment process, make alignment corrections quick and easy
- Built-in alignment recommendation: Predefined and user definable tolerance tables greatly simplify assessment of the alignment
- Alignment data sharing: Alignment settings and results can be stored in the internal memory or downloaded via USB cable to a PC. Files are easily shared with others without the need of special software.
- Soft foot check: “Soft foot” function helps determine if the machine is standing evenly on all feet; an essential check for good shaft alignment
- Easy pre-alignment: For machines that are grossly misaligned, the laser lines and scales enable rapid pre-alignment
- Easy for all users: A Quick Start Guide and intuitive menus allow virtually any technician to quickly be familiar with the process. Full instructions are supplied on a CD in multiple languages





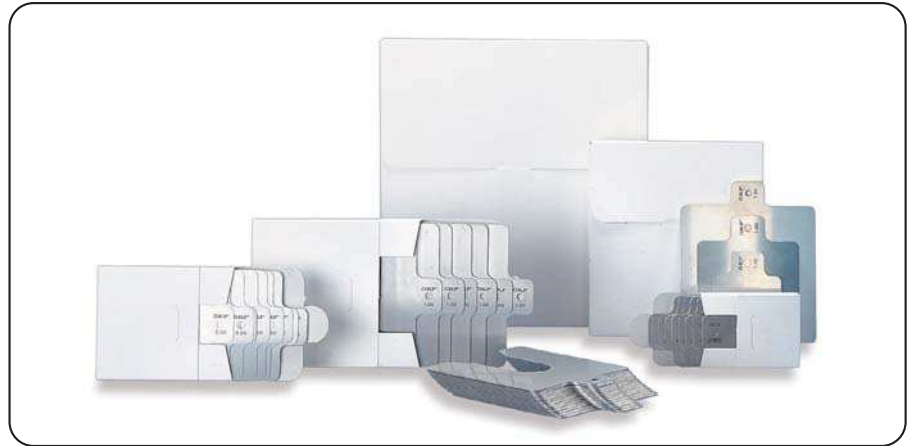
## Shaft alignment tools

### TMAS shim kits

#### For accurate vertical machinery alignment

Accurate machine adjustment is an essential element of any alignment process. SKF single slot pre-cut shims are available in five different dimensions and in ten different thicknesses.

- Made of high quality stainless steel allowing re-use
- Easy to fit and to remove
- Close tolerances for accurate alignment
- Thickness clearly marked on each shim
- Fully de-burred
- Pre-cut shims are supplied in packs of 10 and complete kits are also available



#### Contents TMAS Shim Kits

<b>TMAS 340</b>										
Thickness (mm)	0,05	0,10	0,20	0,25	0,40	0,50	0,70	1,00	2,00	
Size (mm)	<b>Quantities:</b>									
100x100	20	20	20	20	20	20	20	20	10	10
125x125	20	20	20	20	20	20	20	20	10	10
<b>TMAS 360</b>										
Thickness (mm)	0,05	0,10	0,25	0,50	1,00	2,00				
Size (mm)	<b>Quantities:</b>									
50x50	20	20	20	20	20	20				
75x75	20	20	20	20	20	20				
100x100	20	20	20	20	20	20				
<b>TMAS 510</b>										
Thickness (mm)	0,05	0,10	0,20	0,25	0,40	0,50	0,70	1,00	2,00	
Size (mm)	<b>Quantities:</b>									
50x50	20	20	20	20	20	20	20	20	10	10
75x75	20	20	20	20	20	20	20	20	10	10
100x100	20	20	20	20	20	20	20	20	10	10
<b>TMAS 720</b>										
Thickness (mm)	0,05	0,10	0,20	0,25	0,40	0,50	0,70	1,00	2,00	
Size (mm)	<b>Quantities:</b>									
50x50	20	20	20	20	20	20	20	20	20	20
75x75	20	20	20	20	20	20	20	20	20	20
100x100	20	20	20	20	20	20	20	20	20	20
125x125	20	20	20	20	20	20	20	20	20	20



TMAS 340



TMAS 360



TMAS 510



TMAS 720





